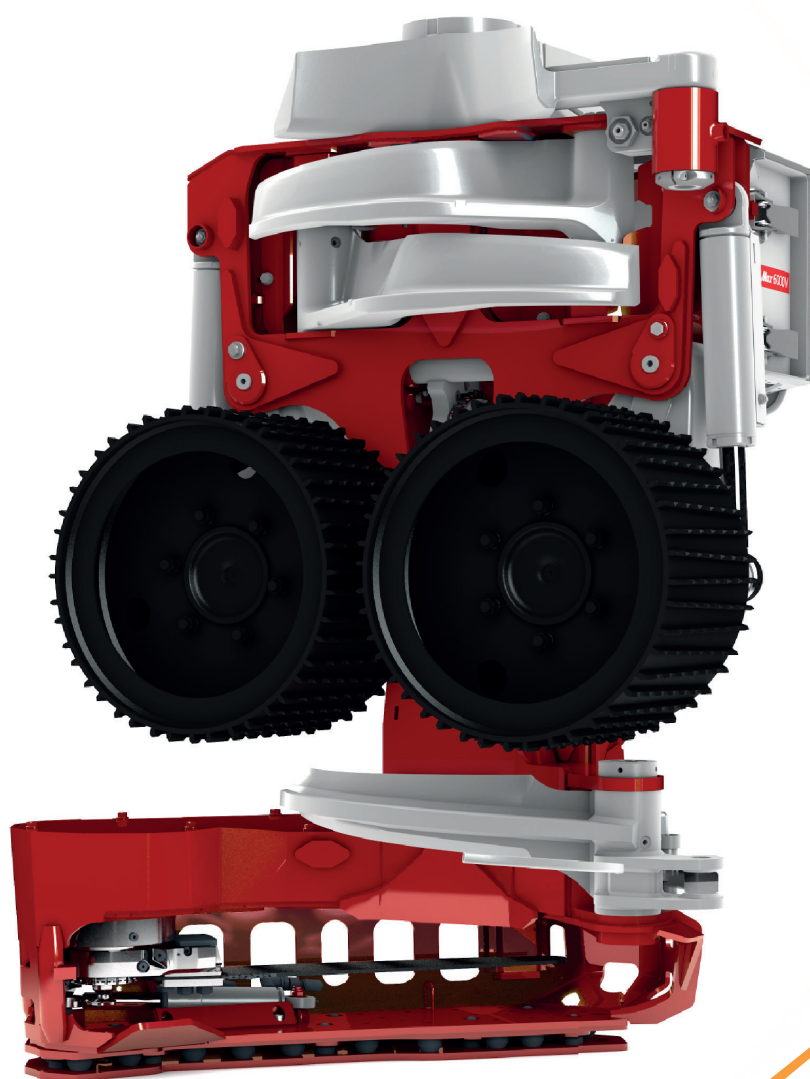


Log Max 6000V

HEADS ABOVE THE COMPETITION

Spare part manual



www.logmax.com



Stationsvägen 12 - 77013 Grangärde - SWEDEN
Phone: +46 240 59 11 00
info@logmax.com www.logmax.com

Contents

Frame and protection	11
Frame with protective cover.....	13
Frame.....	15
Protective cover	17
Cover.....	19
Filling cap	21
Cushioned protection plate	23
Solid protection plate	25
Delimiting unit	27
Upper delimiting knife, assembly.....	29
Upper delimiting knife, standard	31
Upper delimiting knife, welded	33
Upper delimiting knife, welded. Replaceable knife blade	35
Hydraulic upper delimiting knife	37
Hydraulic cylinder	39
Left and right delimiting knives, assembly.....	41
Left and right delimiting knives, standard	43
Left delimiting knife, standard.....	45
Right delimiting knife, standard	47
Left and right delimiting knives, processor.....	49
Left delimiting knife, processor.....	51
Right delimiting knife, processor	53
Hydraulic cylinder.....	55
Lower delimiting knife, assembly.....	57
Lower delimiting knife, standard	59
Lower delimiting knife.....	61
Lower delimiting knife, processor.....	63
Hydraulic cylinder.....	65
Cylinder cover.....	67
Feeding unit.....	69
Feed roller arms, assembly	71
Left feed roller arm	75
Right feed roller arm.....	77
Feed roller arms cover.....	79
Feed roller motors 857 ccm	81
Feed roller motors 627 ccm	83
Feed roller motors 934 ccm	85
Hydraulic cylinder.....	87
Cylinder cover.....	89
Feed rollers V-steel S.....	91
Feed roller V-steel S.....	93
Feed rollers V-steel E.....	95
Feed roller V-steel E.....	97
Feed rollers Eucalyptus.....	99
Feed roller Eucalyptus	101

Measuring	103
Diameter measuring unit.....	105
Encoder.....	107
Length measuring, assembly.....	109
Length measuring arm, Log Mate 510 and Forester	113
Length measuring arm, Interface.....	115
Hydraulic cylinder.....	117
4 point measuring	119
Measuring unit, feed roller engine	121
Felling unit	123
Felling link, assembly.....	125
Felling link, standard	127
Felling link, standard.....	129
Felling link, reinforced	131
Felling link, reinforced.....	133
Felling link, molded	135
Felling link, molded.....	137
Chain holder	139
Hydraulic cylinder.....	141
Saw unit	143
Hydraulics saw unit 218 F11-19.....	145
Saw unit 218 F11-19	149
Hydraulics saw unit 218 True-Cut.....	151
Saw unit 218 True-Cut	155
Hydraulics saw unit 318 F11-19.....	157
Saw unit 318 F11-19	161
Hydraulics saw unit 318 True-Cut.....	163
Saw unit 318 True-Cut	167
Hydraulics saw unit 318 F12-30	169
Saw unit 318 F12-30.....	173
Saw motor F11-19, assembly	175
Saw motor F11-19.....	177
Saw motor True-Cut, assembly	179
Saw motor True-Cut.....	181
Saw motor F12-30, assembly	183
Saw motor F12-30.....	185
Saw unit 218.....	187
Saw bar bracket 218	189
Saw unit 318-02.....	191
Saw bracket 318-02	193
Saw bar holder 02	195
Saw unit 318-04.....	197
Saw bar bracket 318-04	199
Saw bar holder 04	201
Saw 218 F11-19 saw bar and saw chain.....	203
Saw 318 F11-19 saw bar and saw chain.....	205
Saw 218 True-Cut saw bar and saw chain	207
Saw 318 True-Cut saw bar and saw chain	209
Saw 318 F12-30 saw bar and saw chain.....	211

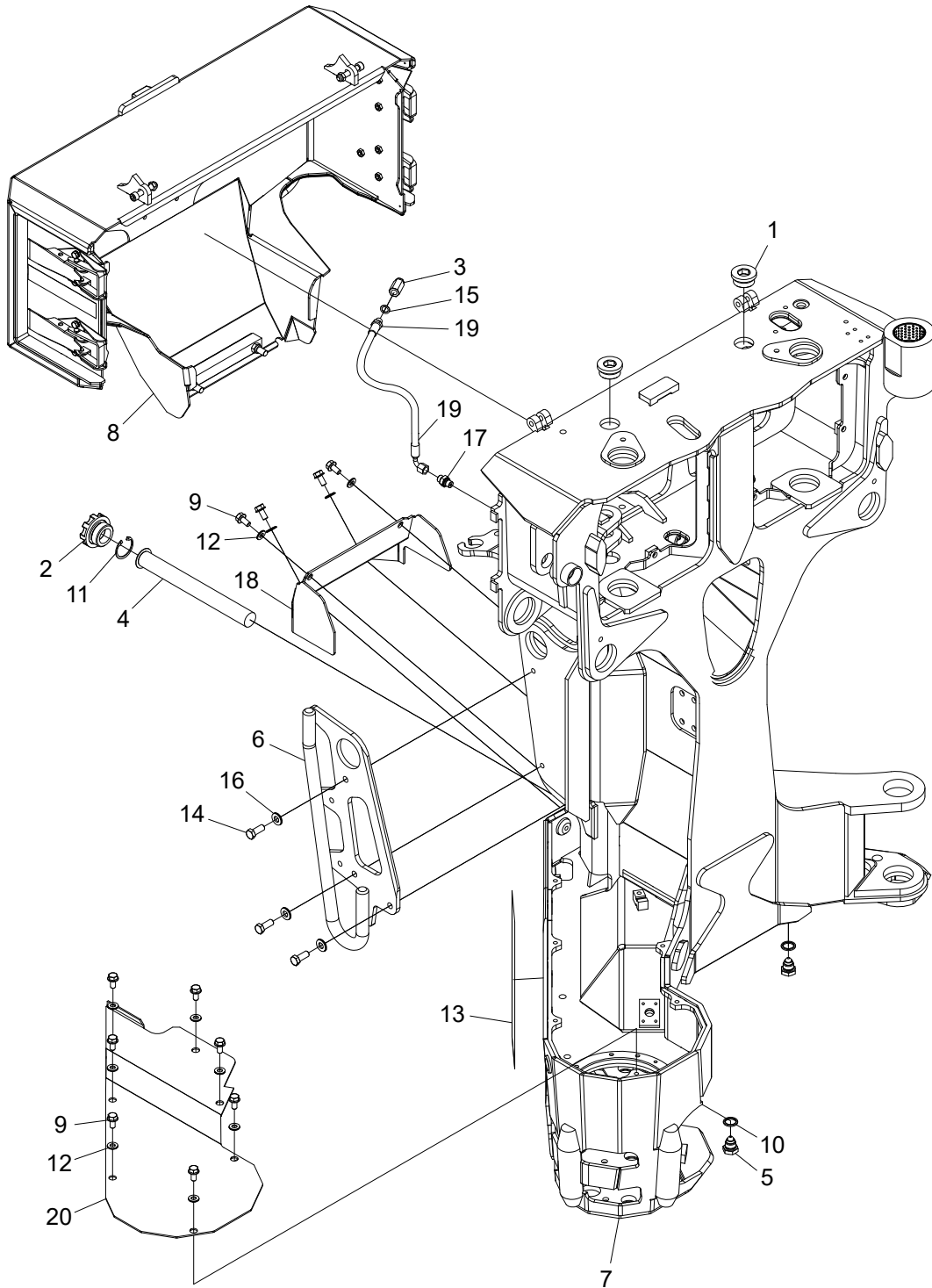
Bearing unit.....	213
Manifold, assembly.....	215
Manifold.....	217
Saw valve.....	219
Manifold.....	221
Manifold.....	223
Saw sensors.....	225
Easy Greasy.....	227
Easy Greasy pump.....	229
Grease lubrication.....	231
Hydraulic cylinder.....	233
Rotators.....	235
Indexator AV17S.....	237
Hose guard.....	239
Indexator H182D.....	241
HX30 LS.....	243
Accessories.....	245
Multi stemming unit.....	247
Manifold.....	251
Multi stemming unit with rotator control.....	253
Manifold.....	257
Pressure reducer valve.....	259
Hydraulic cylinder.....	261
Color marking, assembly.....	263
Color tank, assembly.....	265
Color pump, assembly.....	267
Color pump.....	269
Directional valve.....	271
Color marking manifold, assembly.....	273
Color marking manifold.....	275
Filling cap, red.....	277
Filling cap, blue.....	279
Rotator control.....	281
Rotator control, HX30.....	283
Rotator control, standard felling unit, HX30.....	285
Rotator control, reinforced felling unit, HX30.....	287
Rotator control, molded felling unit, HX30.....	289
Protection.....	291
Find End kit.....	293
Find End.....	295
Hose holder, reinforced felling link.....	297
Hose holder, molded felling link.....	299
Hose holder.....	301
Hose holder, Komatsu with interface.....	303
Hose holder, Ecolog.....	305
Hose holder, Rottne.....	307
Rubber cover.....	309
Saw dust cover.....	311
Heavy duty kit.....	313

Heavy duty kit, color marking.....	315
Stump treatment saw 218.....	317
Stump treatment saw 318.....	319
Protective bar	321
Hydraulic system	323
Hydraulic, assembly.....	325
Right manifold, assembly.....	329
Right manifold.....	331
Inlet manifold	333
Lower delimiting knife section	335
Feed section	337
Feed section	339
Delimiting knife section.....	341
Feed reducer	343
Relief valve 330 bar.....	345
Reducer valve.....	347
Compensator kit	349
Compensator kit	351
Relief valve 125 bar.....	353
Cap EC/PC	355
Cap EC/A036.....	357
Solenoid.....	359
Relief valve 280 bar.....	361
Relief valve 320 bar.....	363
Right manifold, low pressure control.....	365
Lower delimiting knife section, low pressure	367
Left manifold, assembly	369
Directional valve	371
Directional valve	373
Directional valve	375
Check valve	377
Pressure reducer valve 190 bar	379
Check valve	381
Pressure reducer valve.....	383
Manifold.....	385
Control system	387
Log Mate 510.....	389
Log Mate 510 cable list	391
Dasa Forester	395
Dasa Forester cable list	397
Interface.....	401
Interface cable list	403
Hose kits	407



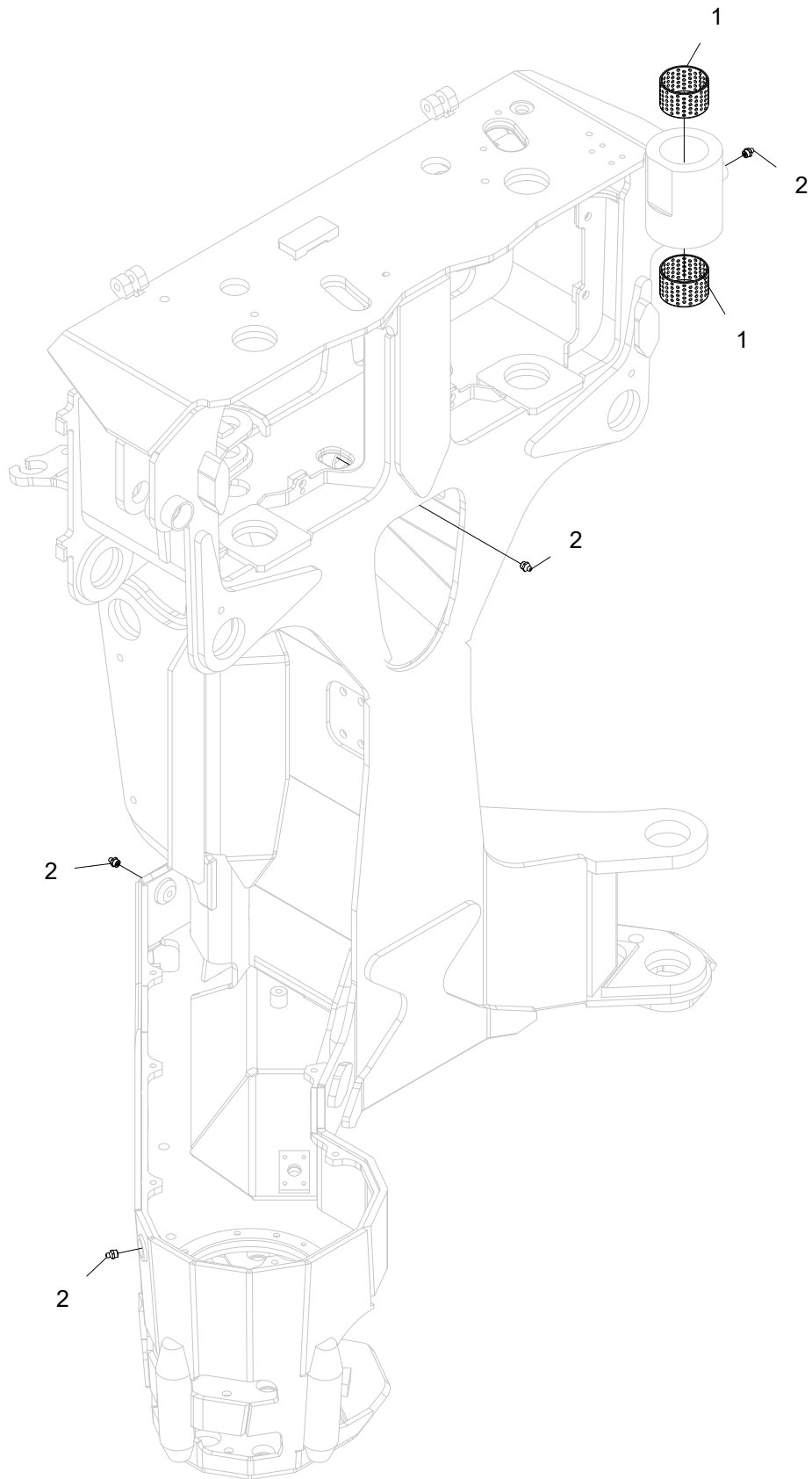
= requires special instructions from Log Max AB

Frame and protection



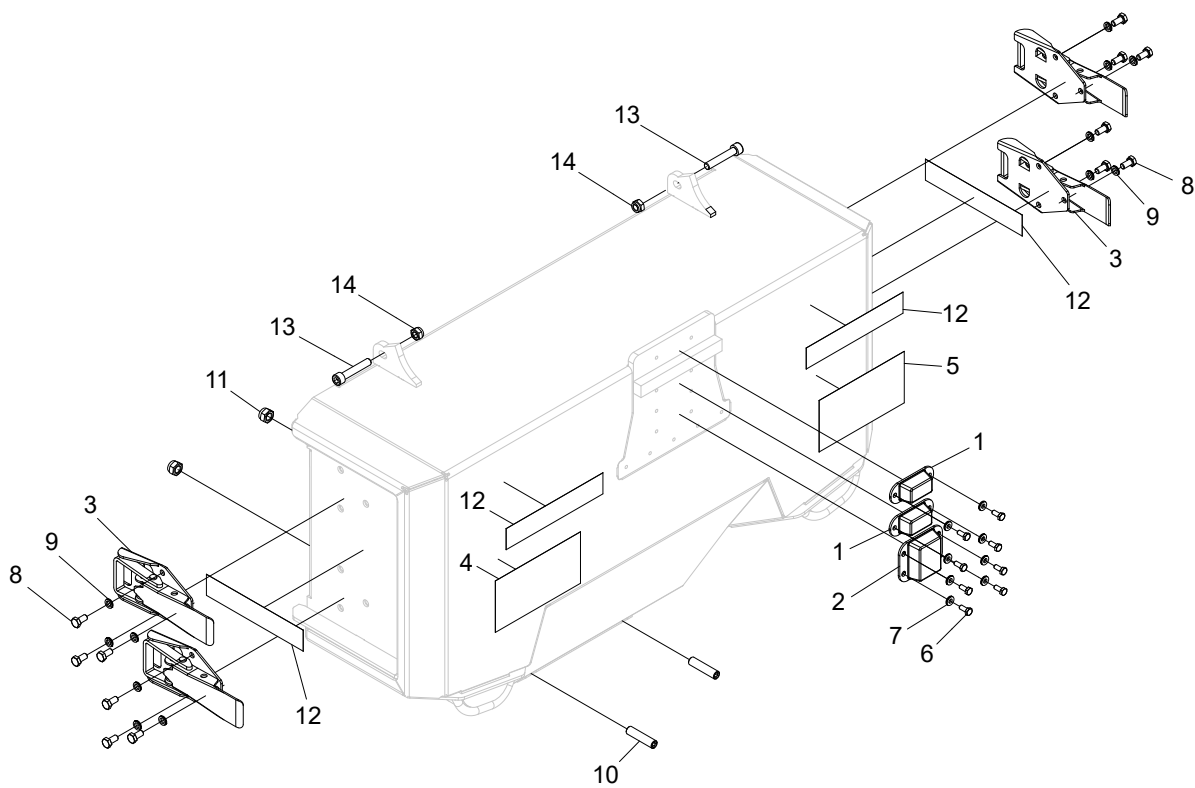
Frame with protective cover

Structure 043504				
Pos.	Part no.	Quantity	Description	Specification
1	011537	2	Hex plug	1 1/4"
2	013969	1	Filler cap	
3	015037	1	Breather valve	
4	015351	1	Filter	
5	015642	2	Magnetic plug	1/2"
6	018203	1	Hose leader	
7	043500	1	Frame	
8	043506	1	Protective cover	
9	505083	11	Screw	M10x20 10.9
10	601103	2	Bonded seal	1/2"
11	517238	1	Circlip	45
12	503075	11	Washer	NL10 sp
13	519176	1	Decal	
14	500091	3	Screw	M12x30 8.8 FZB
15	601200	1	Copper seal	12x19x1,5
16	503076	3	Washer	NL12 sp
17	601750	1	Adapter	BSP 1/4"-9/16" ORFS
18	018196	1	Cover	
19	648026	1	Bleed hose	
20	018192	1	Cover	



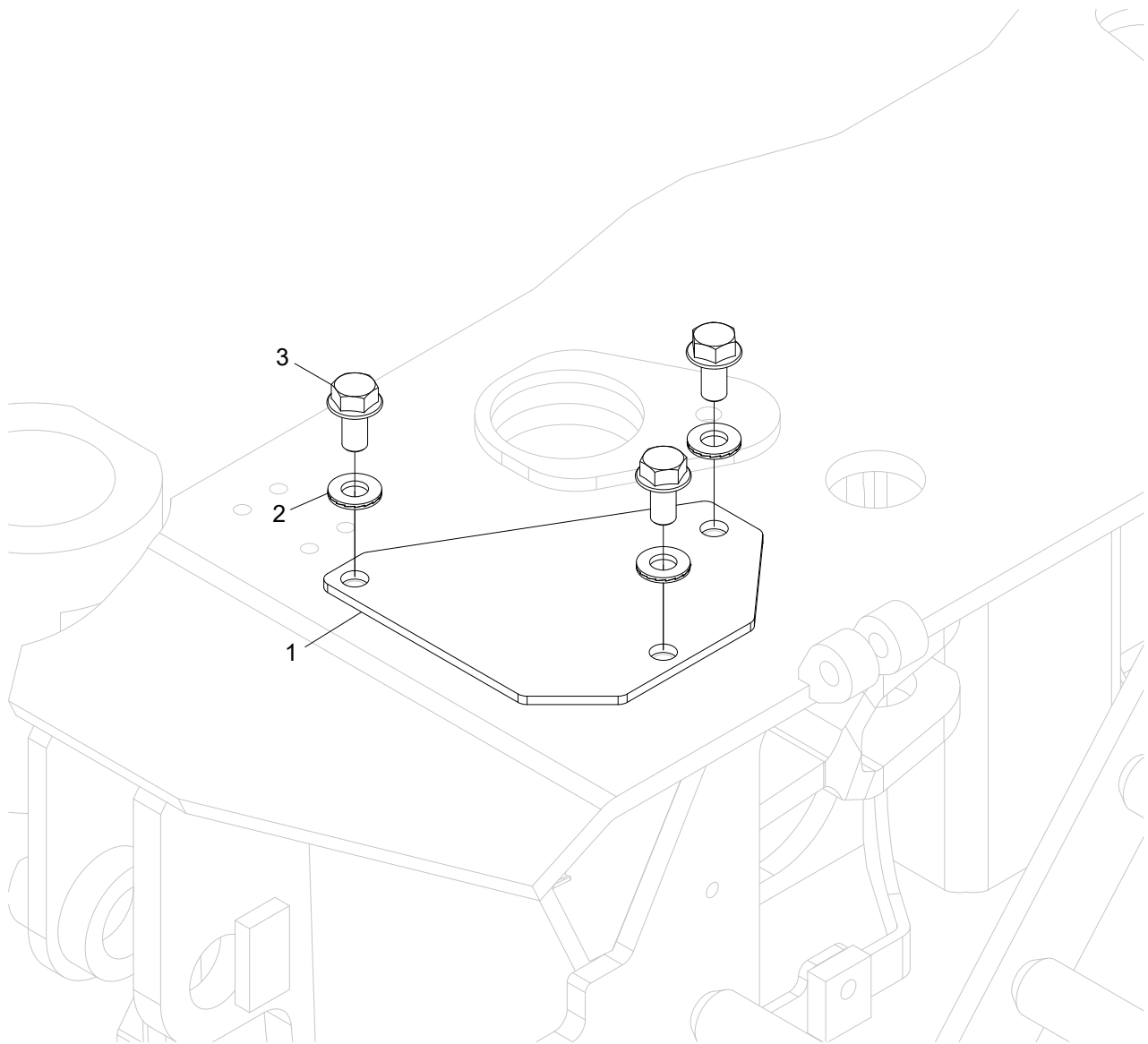
Frame

Structure 043500				
Pos.	Part no.	Quantity	Description	Specification
1	512028	2	Bushing	60x40
2	625000	4	Grease nipple	1/8"



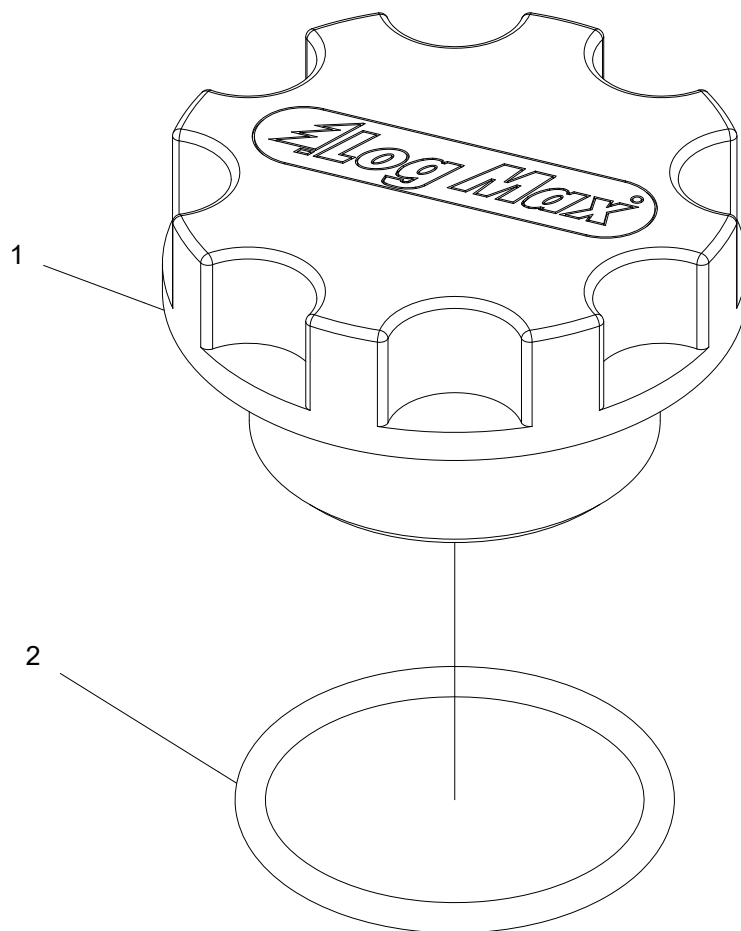
Protective cover

Structure 043506				
Pos.	Part no.	Quantity	Description	Specification
1	012845	2	Rubber damper	
2	014377	1	Rubber damper	
3	519085	4	Overcentre latch	
4	519140	1	Decal	
5	519141	1	Decal	
6	500022	8	Screw	M6x14 8.8 FZB
7	503073	8	Washer	NL6 sp
8	500042	12	Screw	M8x16 8.8 FZB
9	503055	12	Washer	NL8
10	513042	2	Screw	M12x50
11	502056	2	Nut	M12
12	519175	4	Decal	
13	501095	2	Screw	M10x55 12.9
14	502055	2	Nut	M10



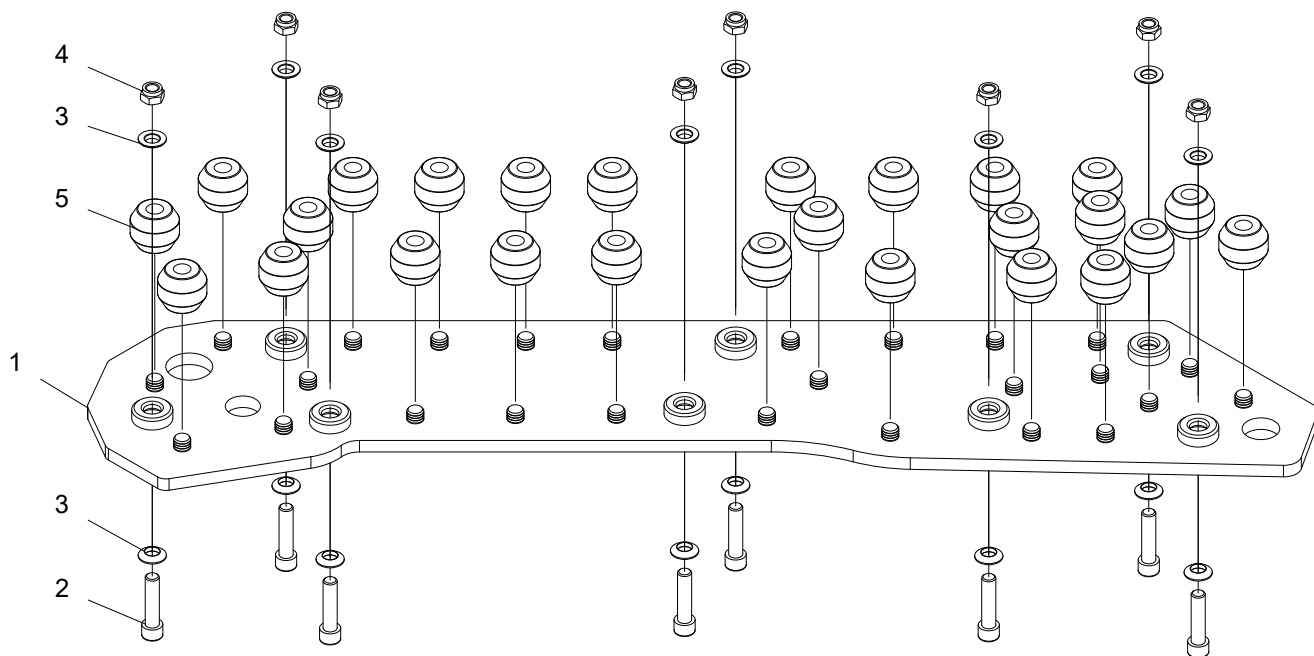
Cover

Structure 043507				
Pos.	Part no.	Quantity	Description	Specification
1	018336	1	Cover	
2	503075	3	Washer	NL10 sp
3	505083	3	Screw	M10x20 10.9



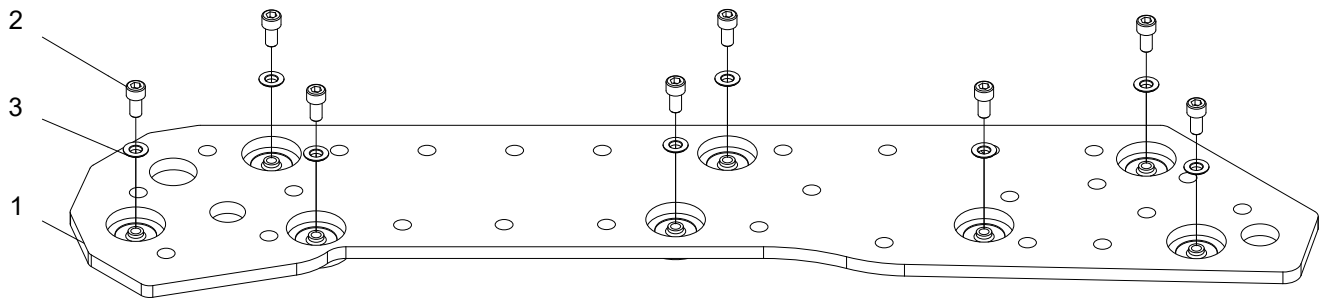
Filling cap

Structure 013969				
Pos.	Part no.	Quantity	Description	Specification
1	014369	1	Filling cap	
2	543028	1	O-ring	44,04x3,53



Cushioned protection plate

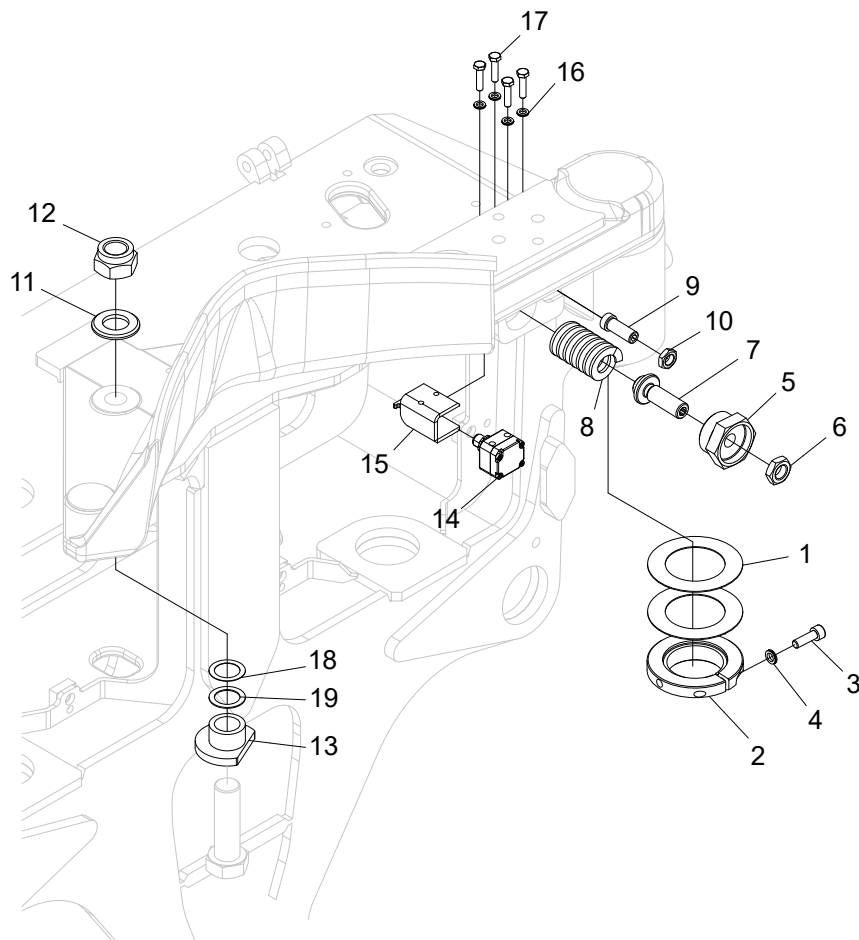
Structure 043510				
Pos.	Part no.	Quantity	Description	Specification
1	018206	1	Protective plate	
2	017856	8	Screw	M12x50
3	018058	16	Spherical washer	M12
4	502056	8	Nut	M12
5	524025	26	Rubber spring	



Solid protection plate

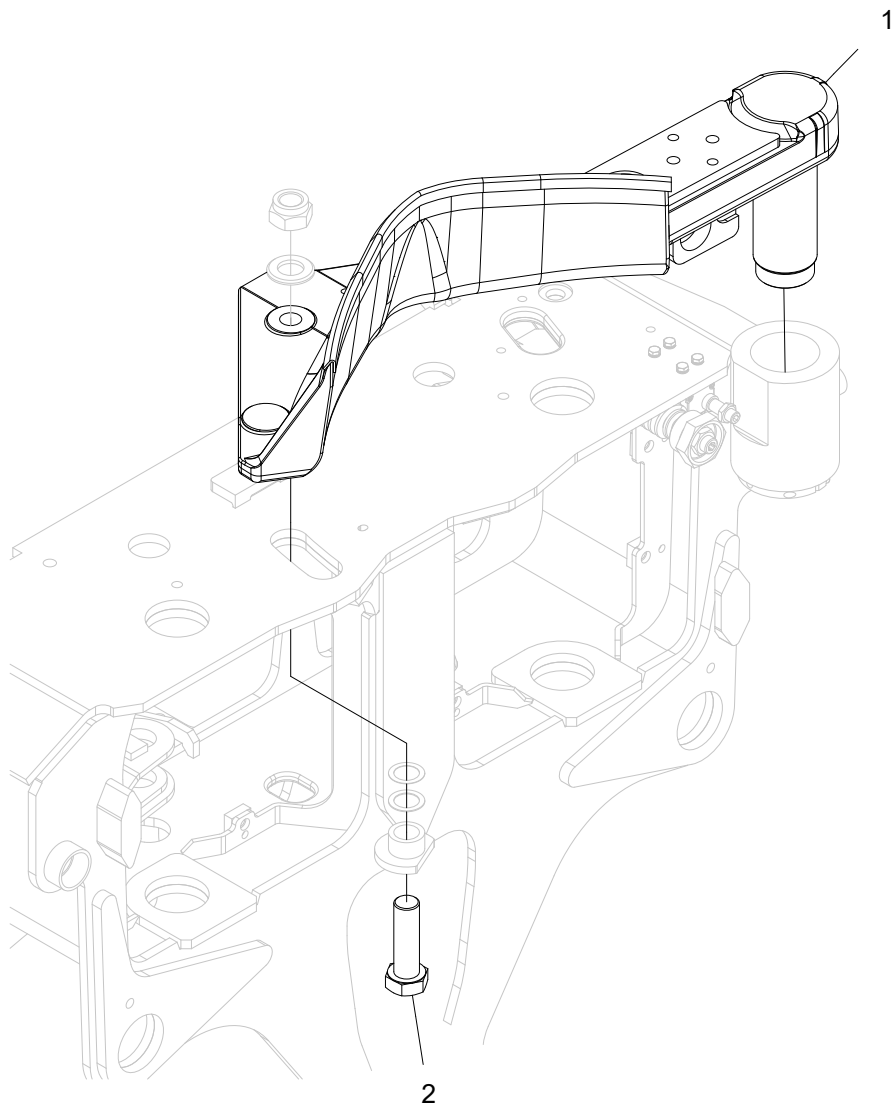
Structure 043511				
Pos.	Part no.	Quantity	Description	Specification
1	018208	1	Protective plate	
2	501087	8	Screw	M10x20 12.9
3	018057	8	Spherical washer	M10

Delimiting unit



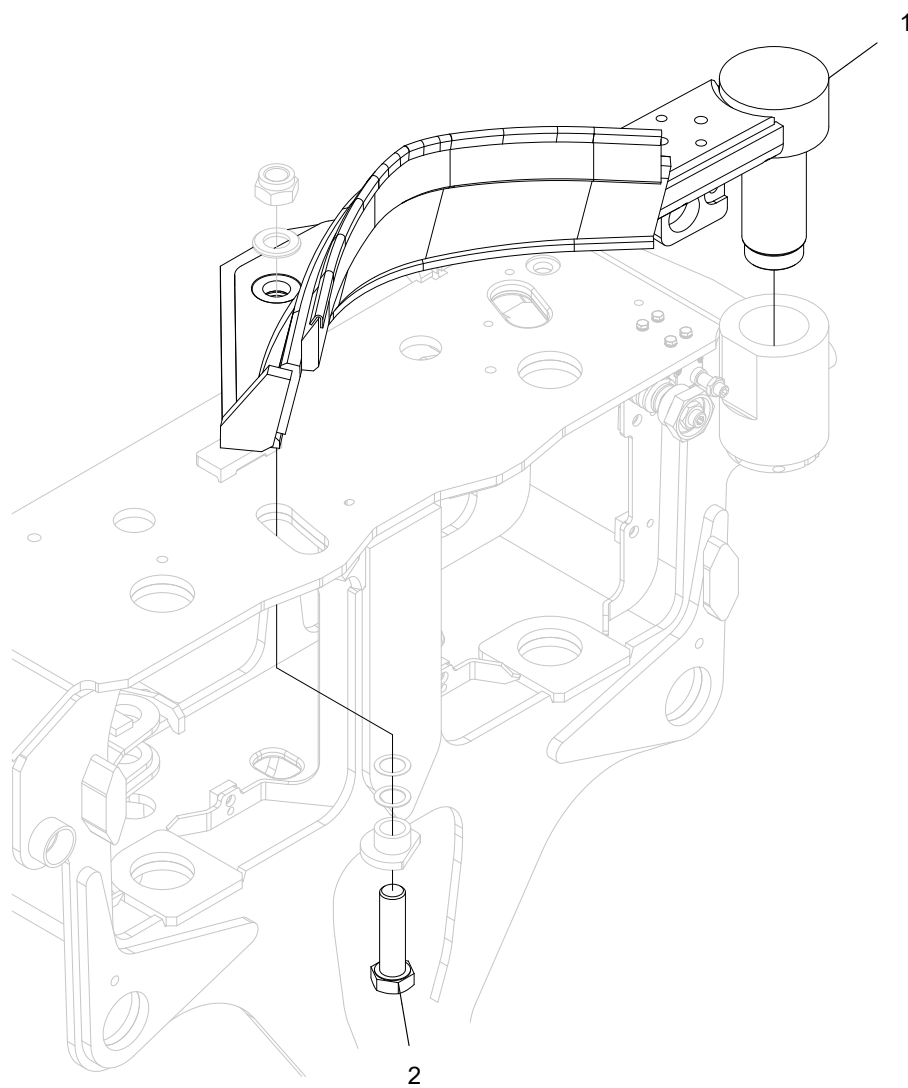
Upper delimiting knife, assembly

Structure 043522				
Pos.	Part no.	Quantity	Description	Specification
1	507017	2	Shim	56x89x1
2	016712	1	Threaded ring	M55
3	501070	1	Screw	M8x25
4	503055	1	Washer	NL8
5	017281	1	Plug	1 1/4"
6	502706	1	Nut	M16 FZB
7	017282	1	Screw	
8	526031	1	Spring	
9	016076	1	Sensor screw	
10	502701	1	Nut	M12x1,25 FZB
11	503018	1	Washer	25x45x4 FZB
12	502062	1	Nut	M24
13	018875	1	Washer	
14	401289	1	Sensor	
15	018395	1	Cover	
16	503065	4	Washer	NL6
17	500025	4	Screw	M6x25 8.8 FZB
18	015480	1	Shim	0,5
19	015481	1	Shim	1,0



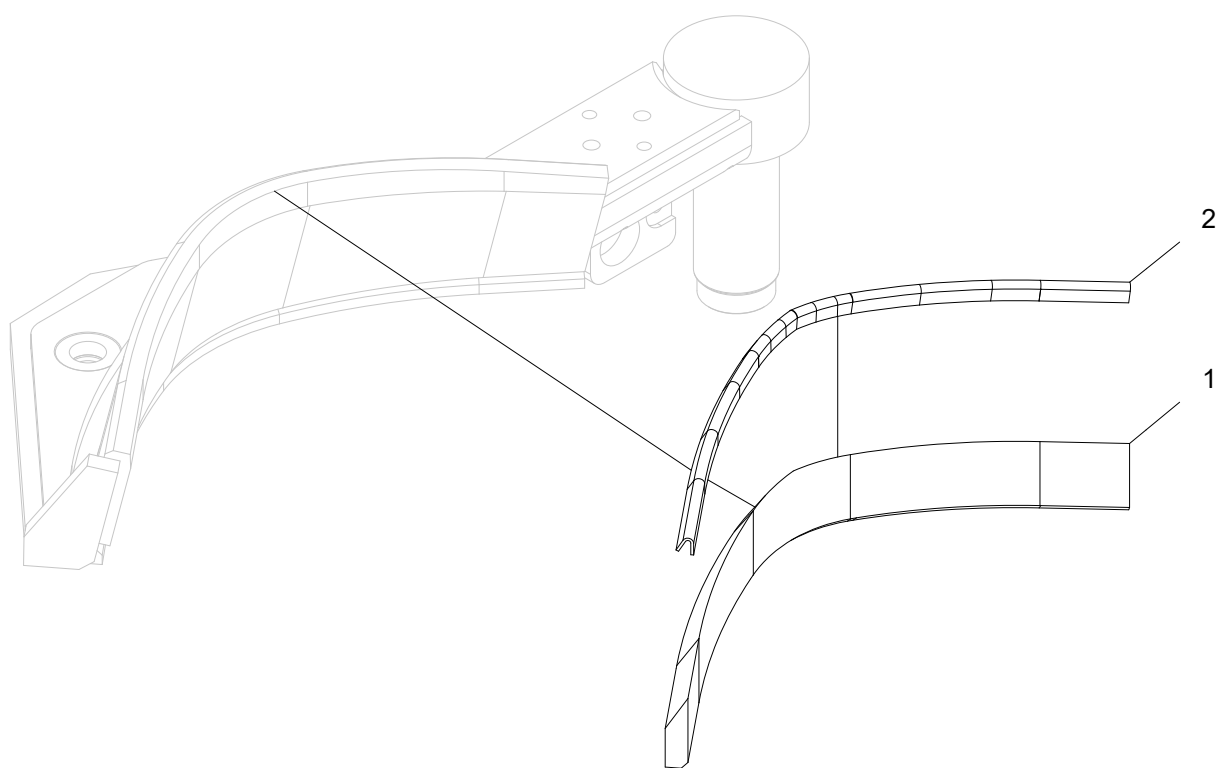
Upper delimiting knife, standard

Structure 043523				
Pos.	Part no.	Quantity	Description	Specification
1	047115	1	Delimiting knife	
2	505045	1	Screw	M24x80 10.9



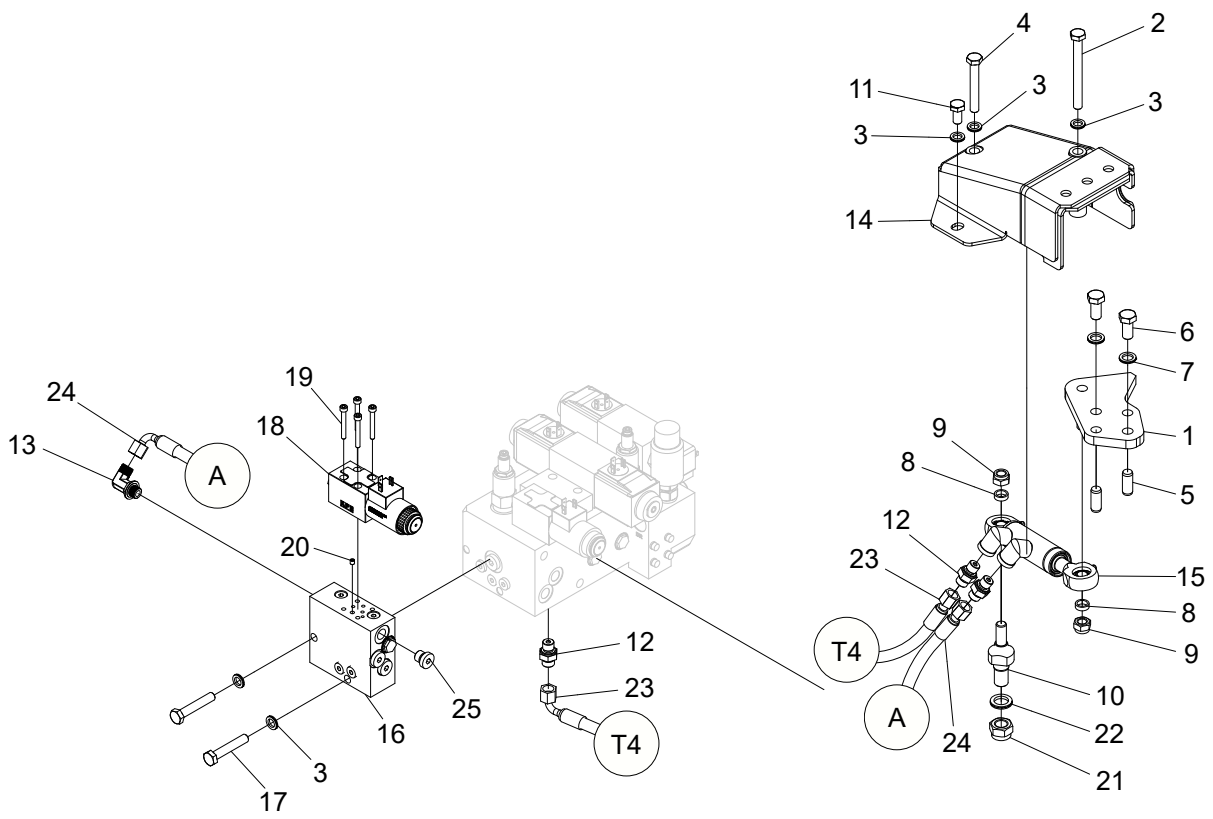
Upper delimiting knife, welded

Structure 043524				
Pos.	Part no.	Quantity	Description	Specification
1	049029	1	Delimiting knife	
2	505091	1	Screw	M24x90 10.9



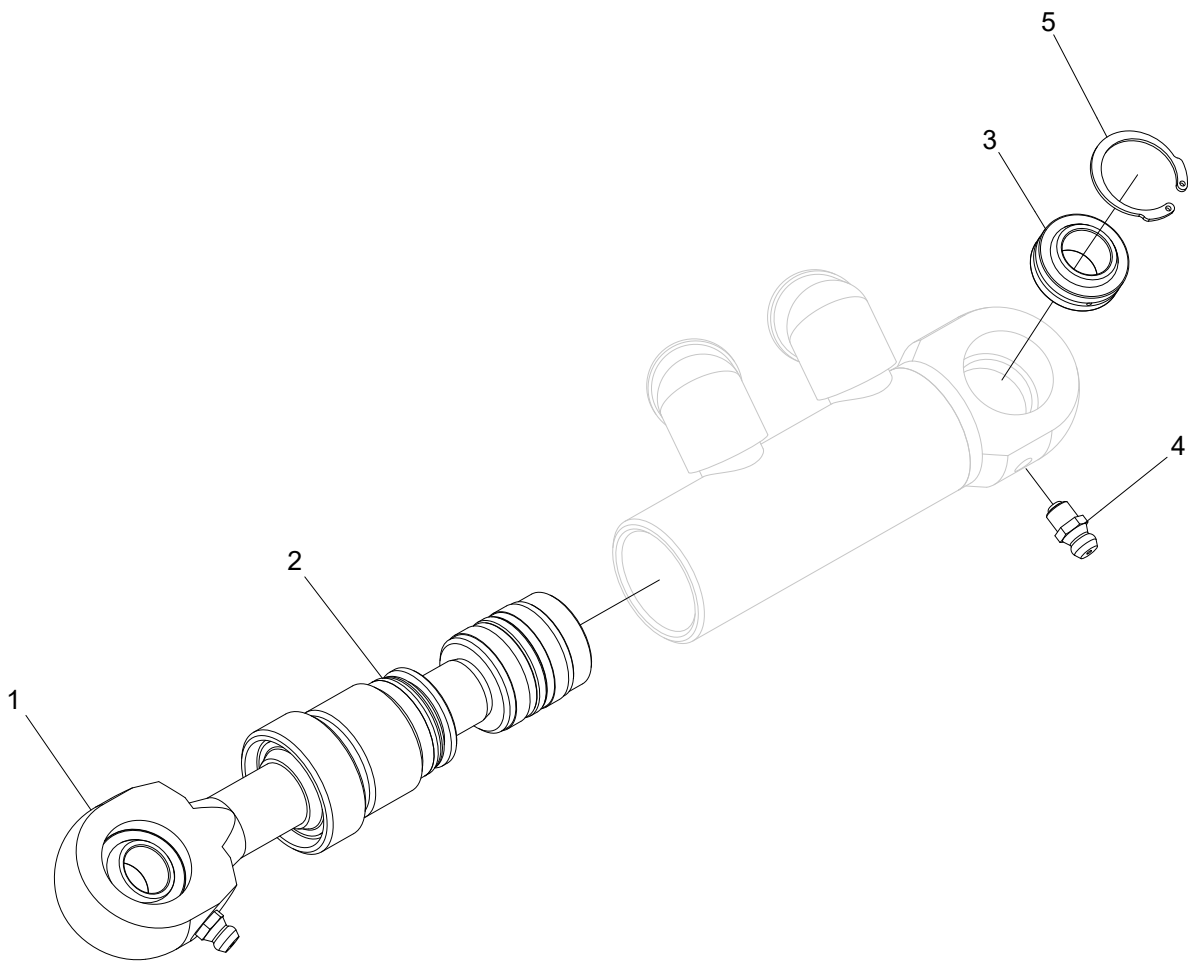
Upper delimiting knife, welded. Replaceable knife blade

Structure 049029				
Pos.	Part no.	Quantity	Description	Specification
1	017280	1	Knife blade	
2	519010	1	Blade guard	



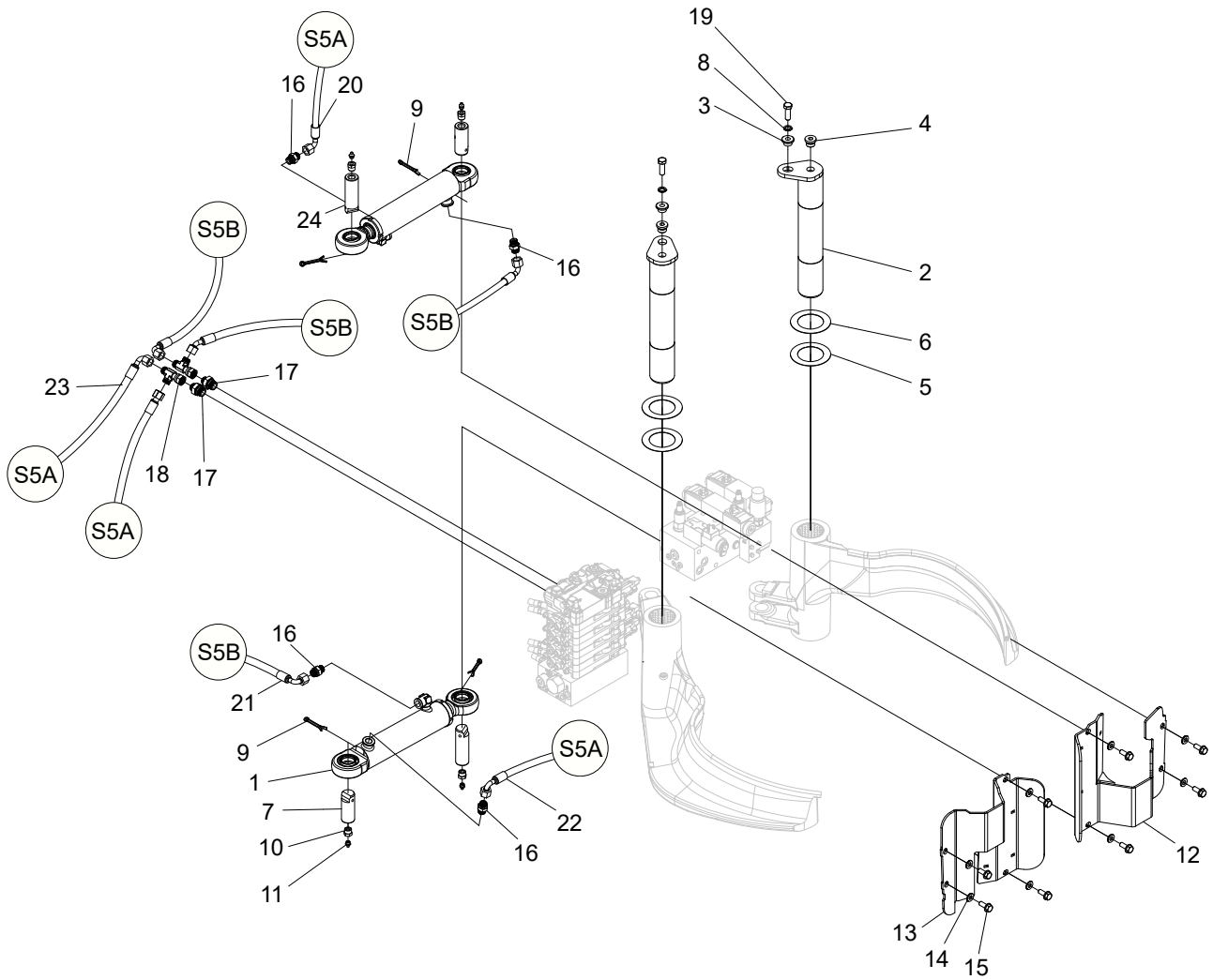
Hydraulic upper delimiting knife

Structure 043439				
Pos.	Part no.	Quantity	Description	Specification
1	013431	1	Bracket	
2	500081	1	Screw	M10x100 8.8 FZB
3	503057	5	Washer	NL10
4	500077	1	Screw	M10x70 8.8 FZB
5	515011	2	Cylindrical pin	12x30
6	500090	2	Screw	M12x25 8.8 FZB
7	503060	2	Washer	NL12
8	010170	2	Spacer	
9	502056	2	Nut	M12
10	018338	1	Bracket	
11	500066	1	Screw	M10x20 8.8 FZB
12	601750	3	Adapter	BSP 1/4" - 9/16" ORFS
13	601725	1	Adapter	90 1/4" - 9/16" ORFS
14	018337	1	Cover	
15	018360	1	Hydraulic cylinder	
16	013865	1	Manifold	
17	500074	2	Screw	M10x55 8.8 FZB
18	612057	1	Direction valve	
19	501033	4	Screw	M5x40 12.9
20	613031	1	Orifice	
21	502705	1	Nut	M16
22	503063	1	Washer	NL16
23	648027	1	Hydraulic hose	
24	648028	1	Hydraulic hose	
25	601001	1	Hex plug	1/4"



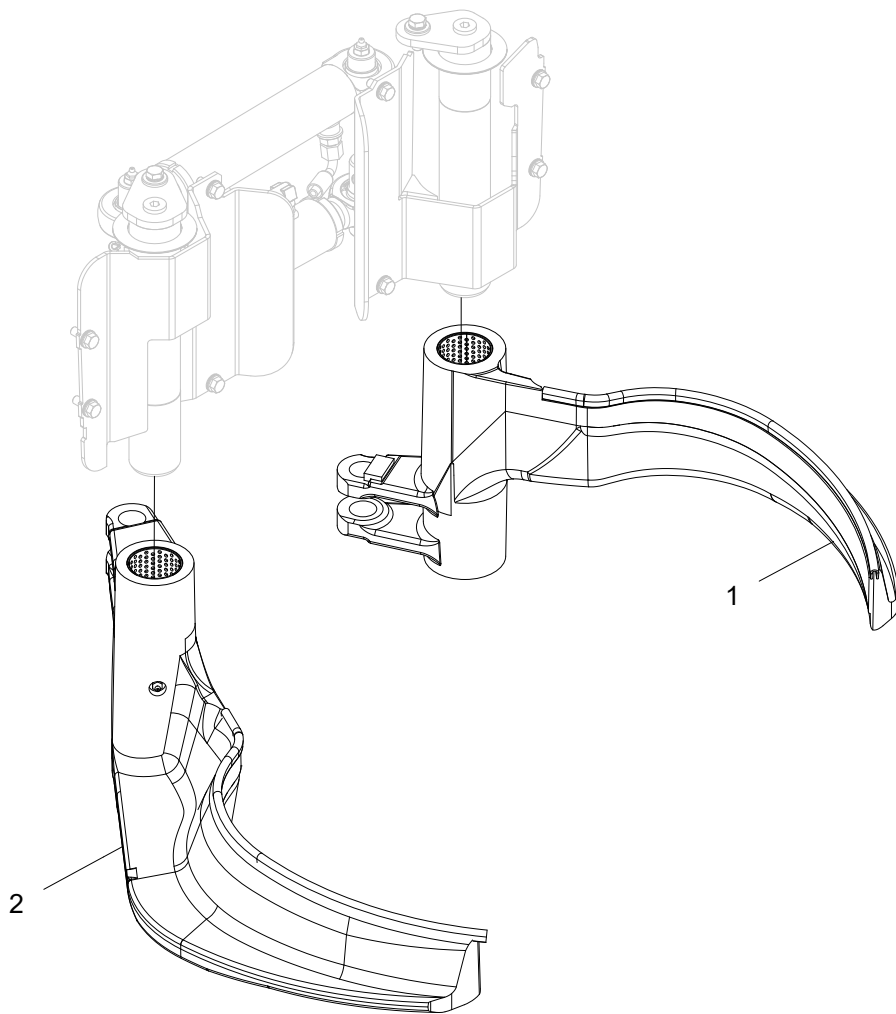
Hydraulic cylinder

Structure 018360				
Pos.	Part no.	Quantity	Description	Specification
1	018360-KIT	1	Rod kit	
2	620003	1	Seal kit	
3	015220	1	Spherical bushing	
4	625004	1	Grease nipple	M6
5	517214	1	Circlip	



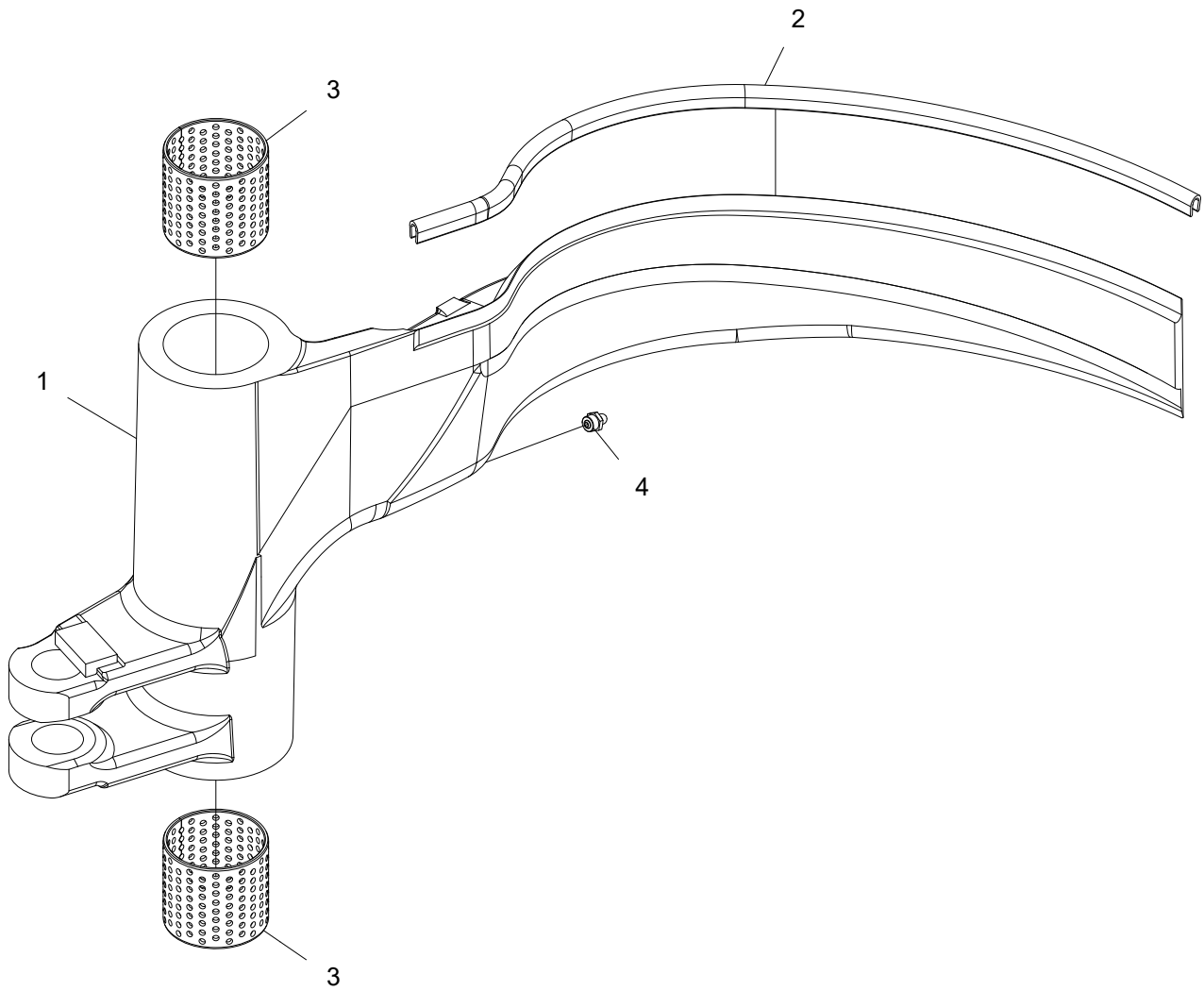
Left and right delimiting knives, assembly

Structure 043525				
Pos.	Part no.	Quantity	Description	Specification
1	018222	2	Hydraulic cylinder	
2	013780	2	Pin	Ø60x354
3	013872	2	Washer	
4	601003	2	Hex plug	1/2"
5	507011	2	Shim	63x98x0,5
6	507012	2	Shim	63x98x1
7	010605	2	Pin	Ø32x79
8	503060	2	Washer	NL12
9	516002	4	Cotter pin	6,3x50
10	602030	4	Adapter	1/8"-3/8" BSP
11	625000	4	Grease nipple	1/8"
12	018025	1	Cover	
13	018026	1	Cover	
14	503075	8	Washer	NL10 sp
15	505084	8	Screw	M10x25 10.9
16	601754	4	Adapter	BSP 3/8"-11/16" ORFS
17	601757	2	Adapter	BSP 1/2"-11/16" ORFS
18	601736	2	Adapter	BSP 1/4"-9/16" ORFS
19	500092	2	Screw	M12x35 8.8 FZB
20	648039	1	Hydraulic hose	
21	648040	1	Hydraulic hose	
22	648041	1	Hydraulic hose	
23	648042	1	Hydraulic hose	
24	010604	2	Pin	Ø32x102



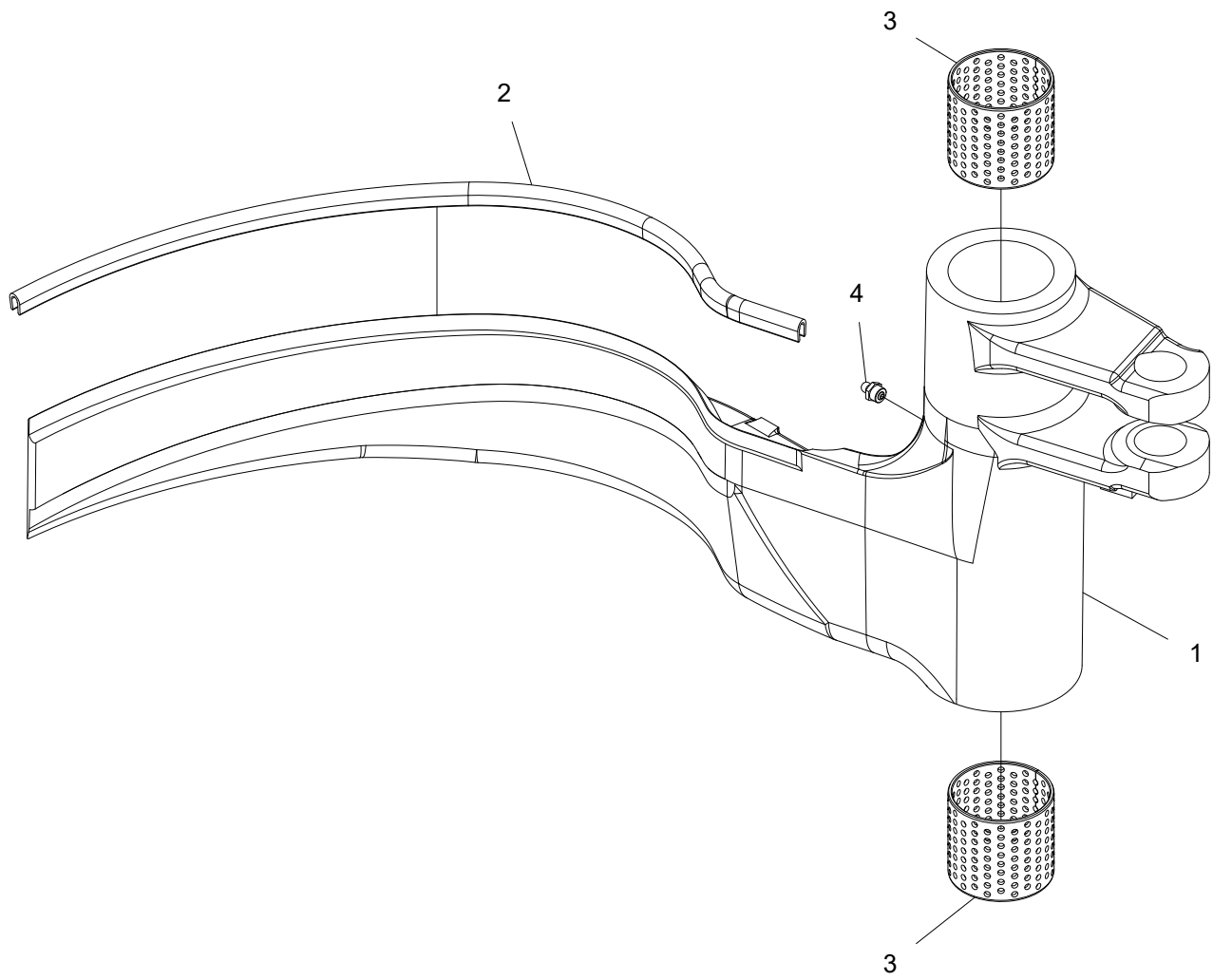
Left and right delimiting knives, standard

Structure 043528				
Pos.	Part no.	Quantity	Description	Specification
1	043520	1	Delimiting knife	
2	043519	1	Delimiting knife	



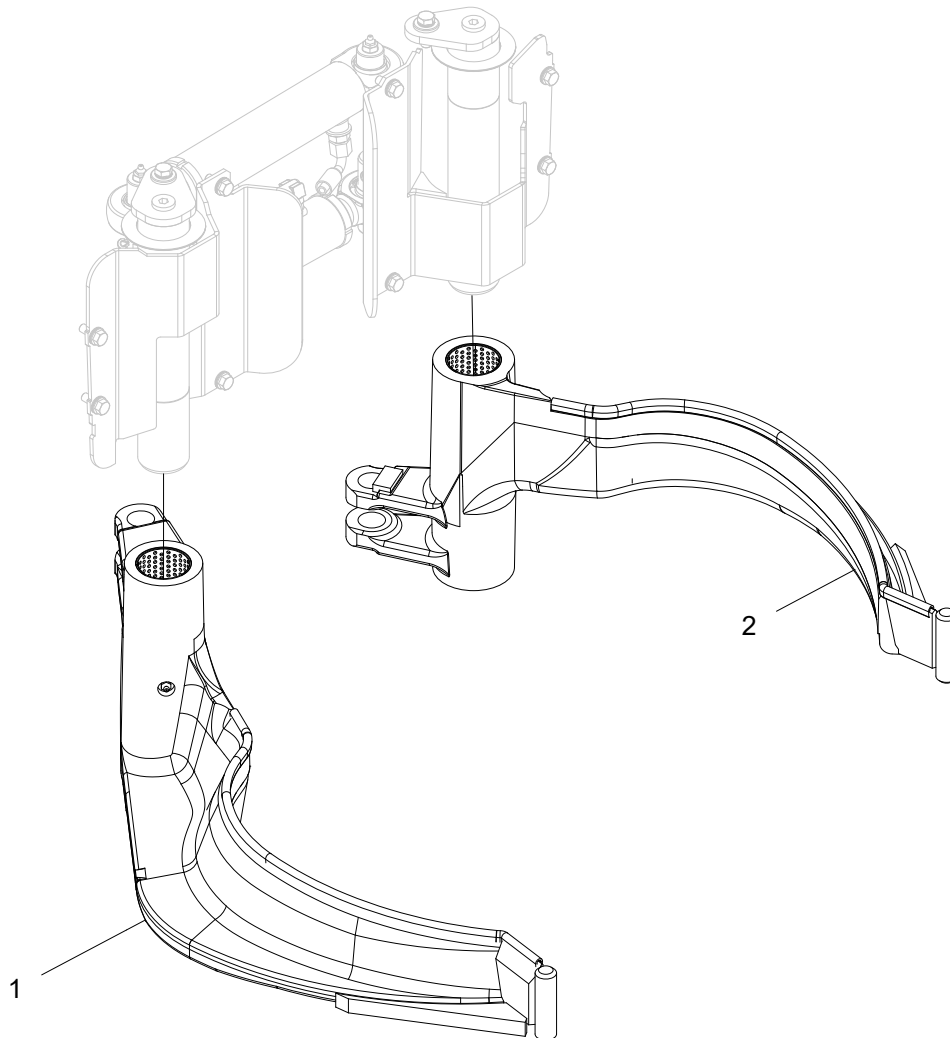
Left delimiting knife, standard

Structure 043520				
Pos.	Part no.	Quantity	Description	Specification
1	018345	1	Delimiting knife	
2	519010	1	Blade guard	0,6 m
3	512029	2	Bushing	60x60
4	625000	1	Grease nipple	1/8"



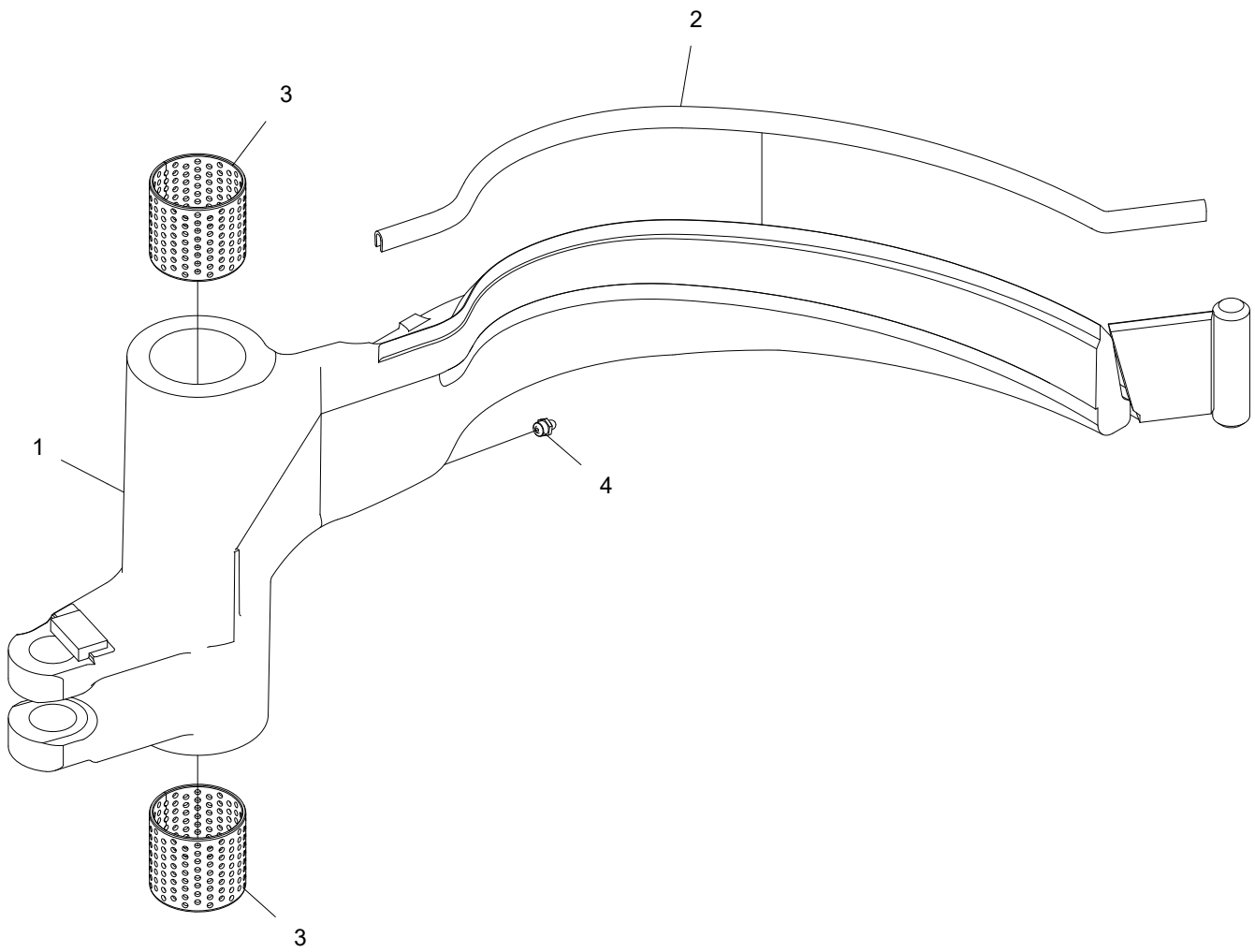
Right delimiting knife, standard

Structure 043519				
Pos.	Part no.	Quantity	Description	Specification
1	018344	1	Delimiting knife	
2	519010	1	Blade guard	0,6 m
3	512029	2	Bushing	60x60
4	625000	1	Grease nipple	1/8"



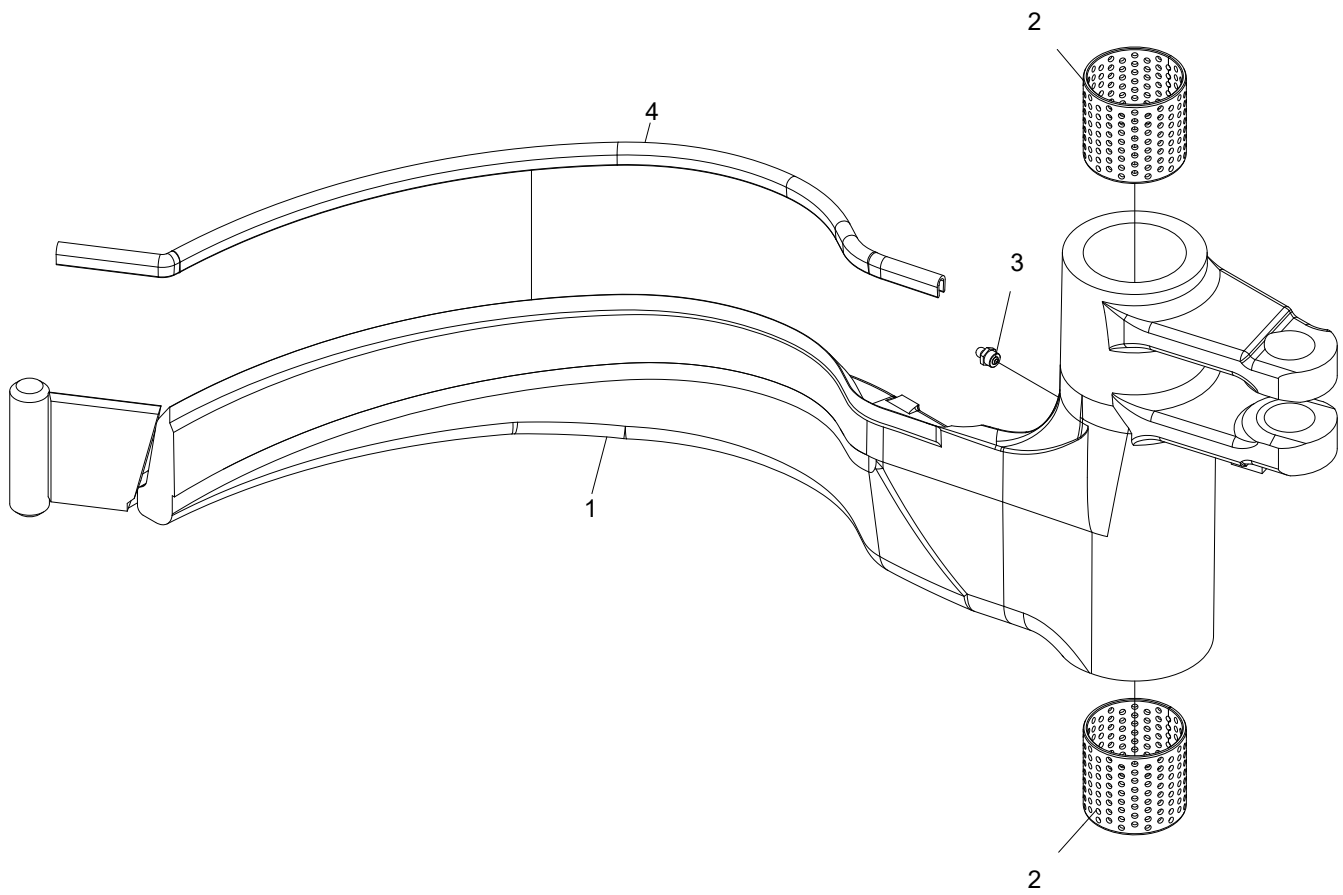
Left and right delimiting knives, processor

Structure 043529				
Pos.	Part no.	Quantity	Description	Specification
1	043516	1	Delimiting knife	
2	043517	1	Delimiting knife	



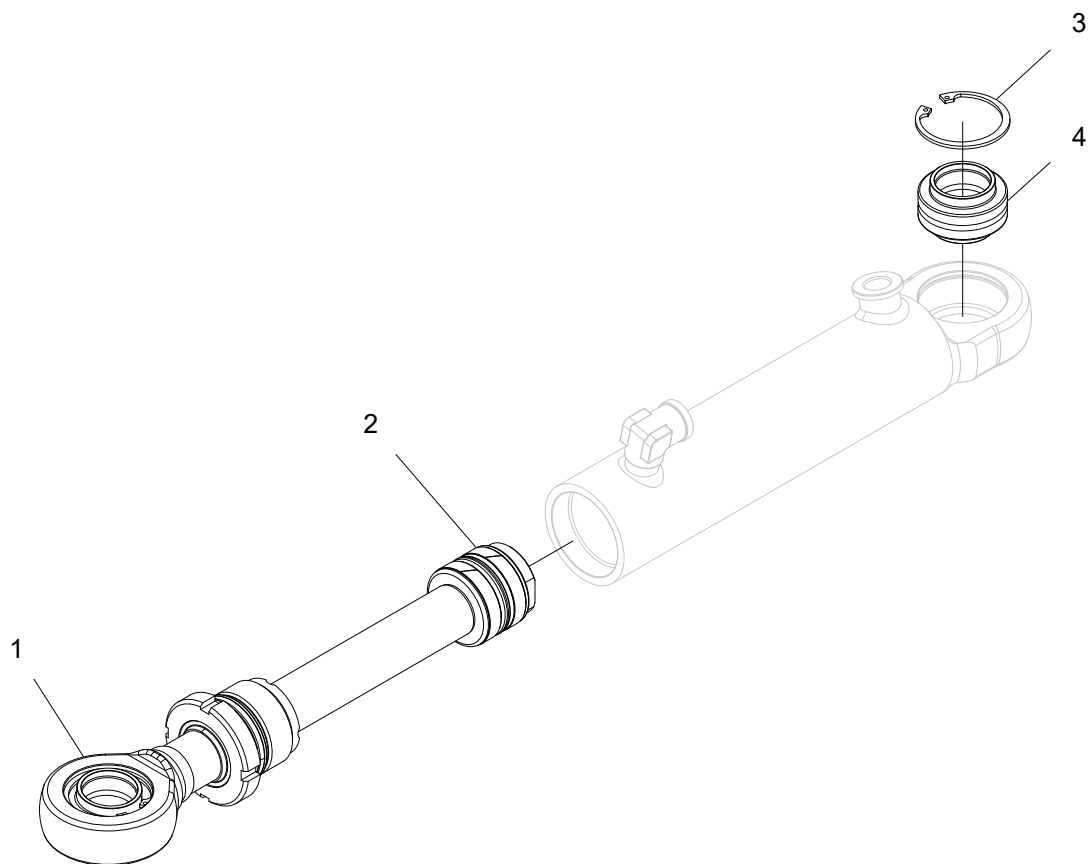
Left delimiting knife, processor

Structure 043517				
Pos.	Part no.	Quantity	Description	Specification
1	018573	1	Delimiting knife	
2	519010	1	Blade guard	0,66 m
3	512029	2	Bushing	60x60
4	625000	1	Grease nipple	1/8"



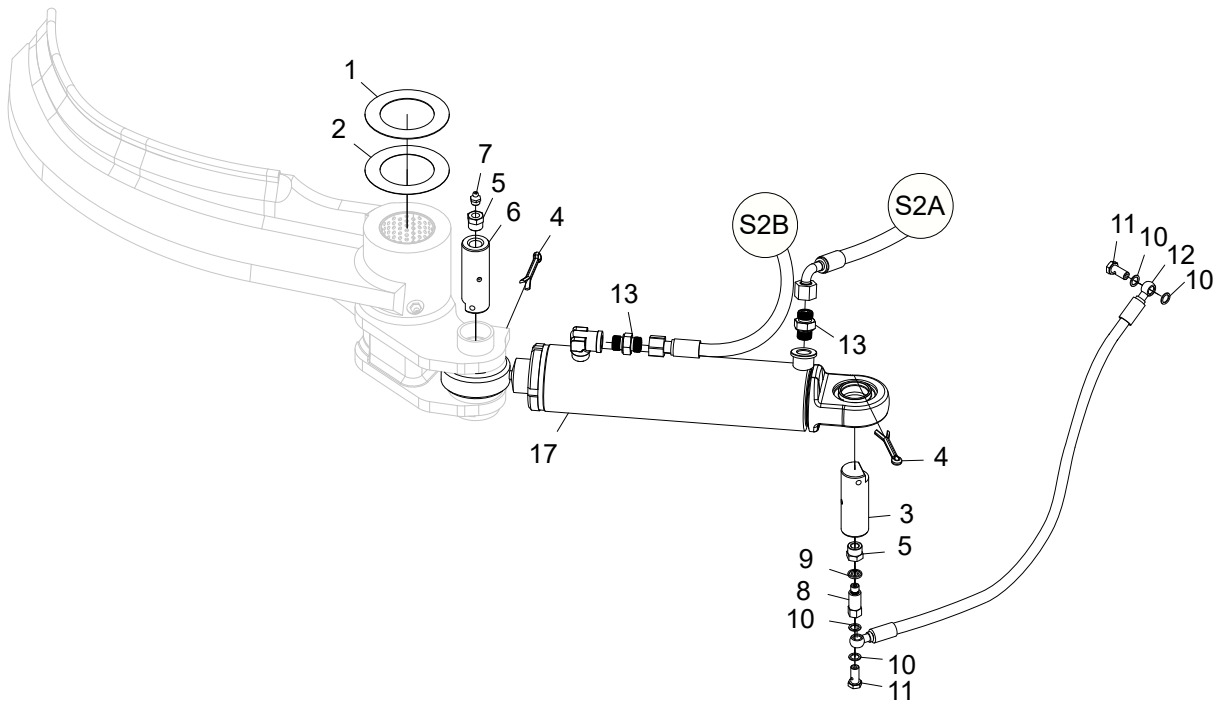
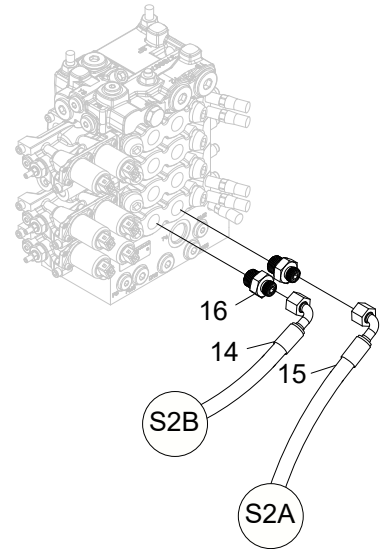
Right delimiting knife, processor

Structure 043516				
Pos.	Part no.	Quantity	Description	Specification
1	018576	1	Delimiting knife	
2	512029	2	Bushing	60x60
3	625000	1	Grease nipple	1/8"
4	519010	1	Blade guard	0,66 m



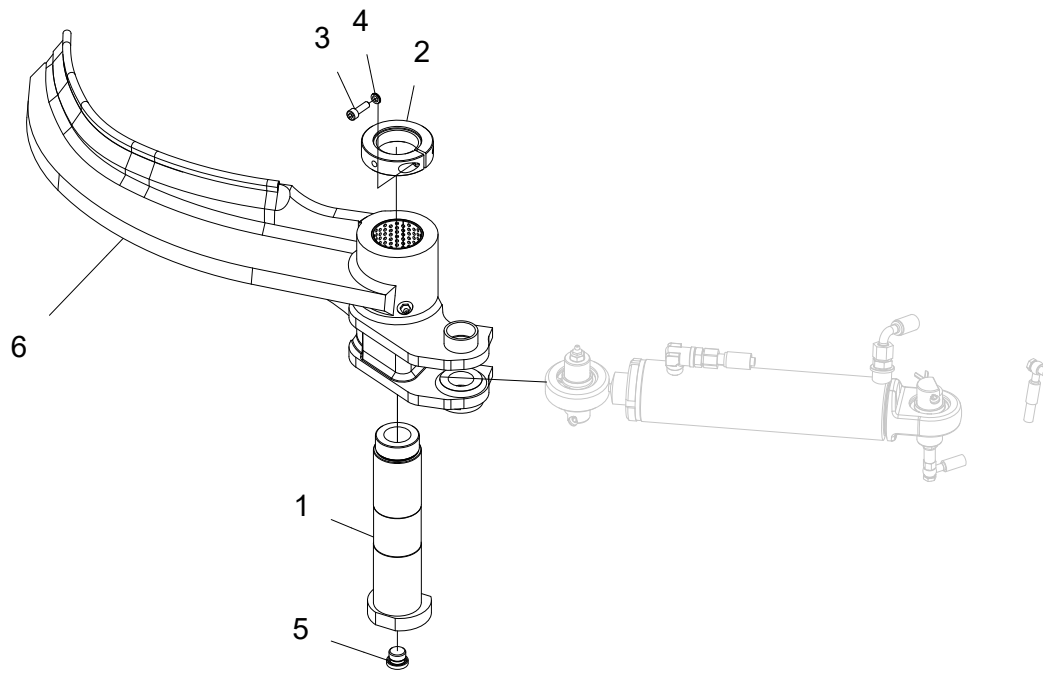
Hydraulic cylinder

Structure 018222				
Pos.	Part no.	Quantity	Description	Specification
1	620100-KIT	1	Rod kit	
2	620101	1	Seal kit	
3	517245	1	Circlip	SGH 52
4	510050	1	Spherical bushing	



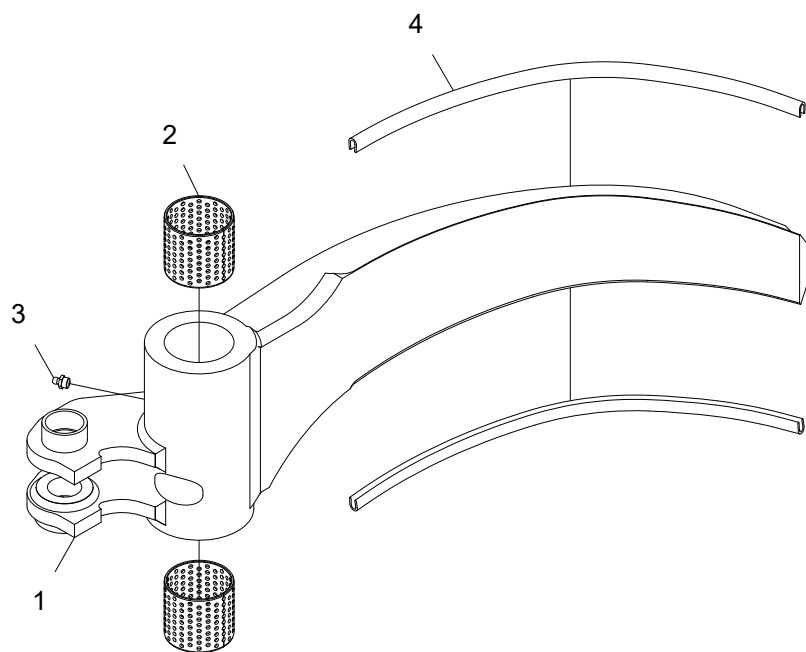
Lower delimiting knife, assembly

Structure 043530				
Pos.	Part no.	Quantity	Description	Specification
1	507012	1	Shim	63x98x1
2	507011	1	Shim	63x98x0,5
3	012586	1	Pin	Ø32x86
4	516002	2	Cotter pin	6,3x50
5	602030	2	Adapter	BSP 1/8"-3/8"
6	013729	1	Pin	Ø32x90
7	625000	1	Grease nipple	1/8"
8	018060	1	Adapter	1/8"
9	601100	1	Bonded seal	1/8"
10	601203	4	Copper seal	10x14x1
11	601701	2	Banjo screw	1/8"
12	648031	1	Hydraulic hose	
13	601754	2	Adapter	BSP 3/8"-11/16" ORFS
14	648032	1	Hydraulic hose	
15	648033	1	Hydraulic hose	
16	601757	2	Adapter	BSP 1/2"-11/16" ORFS
17	013203	1	Hydraulic cylinder	



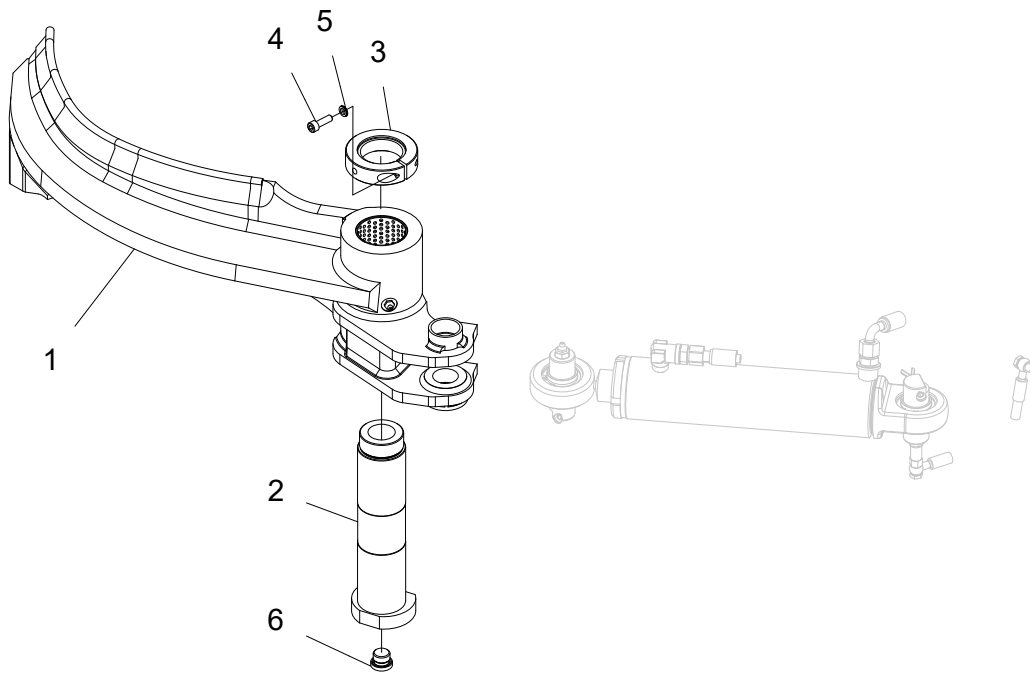
Lower delimiting knife, standard

Structure 043532				
Pos.	Part no.	Quantity	Description	Specification
1	017394	1	Pin	Ø60x257
2	016069	1	Threaded ring	M55
3	501070	1	Screw	M8x25 12.9
4	503055	1	Washer	NL8
5	601003	1	Hex plug	1/2"
6	043015	1	Delimiting knife	



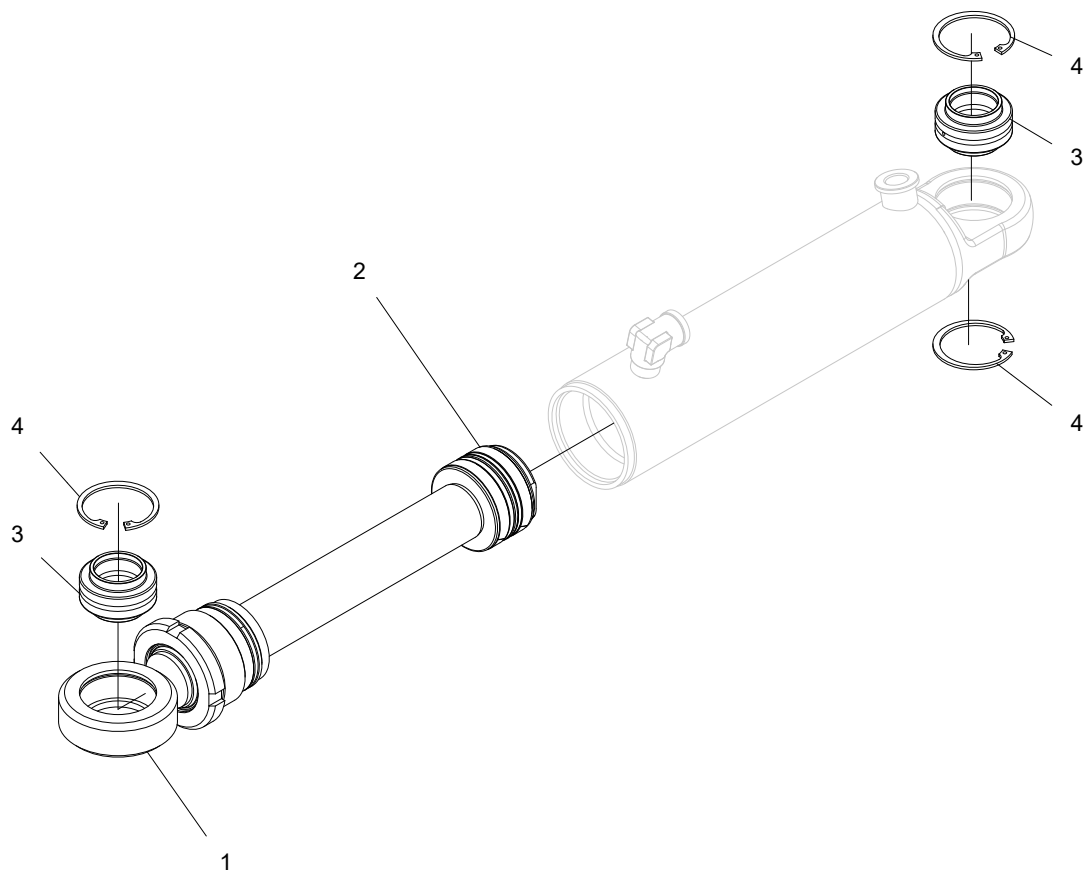
Lower delimiting knife

Structure 043015				
Pos.	Part no.	Quantity	Description	Specification
1	015251	1	Delimiting knife	
2	512029	2	Bushing	60x60
3	625000	1	Grease nipple	1/8"
4	519010	1	Blade guard	0,93 m



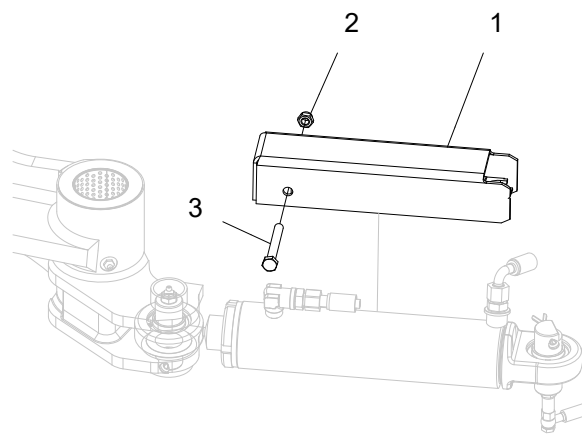
Lower delimiting knife, processor

Structure 043534				
Pos.	Part no.	Quantity	Description	Specification
1	043518	1	Delimiting knife	
2	017394	1	Pin	Ø60x257
3	016069	1	Threaded ring	M55
4	501070	1	Screw	M8x25 12.9
5	503055	1	Washer	NL8
6	601003	1	Hex plug	1/2"



Hydraulic cylinder

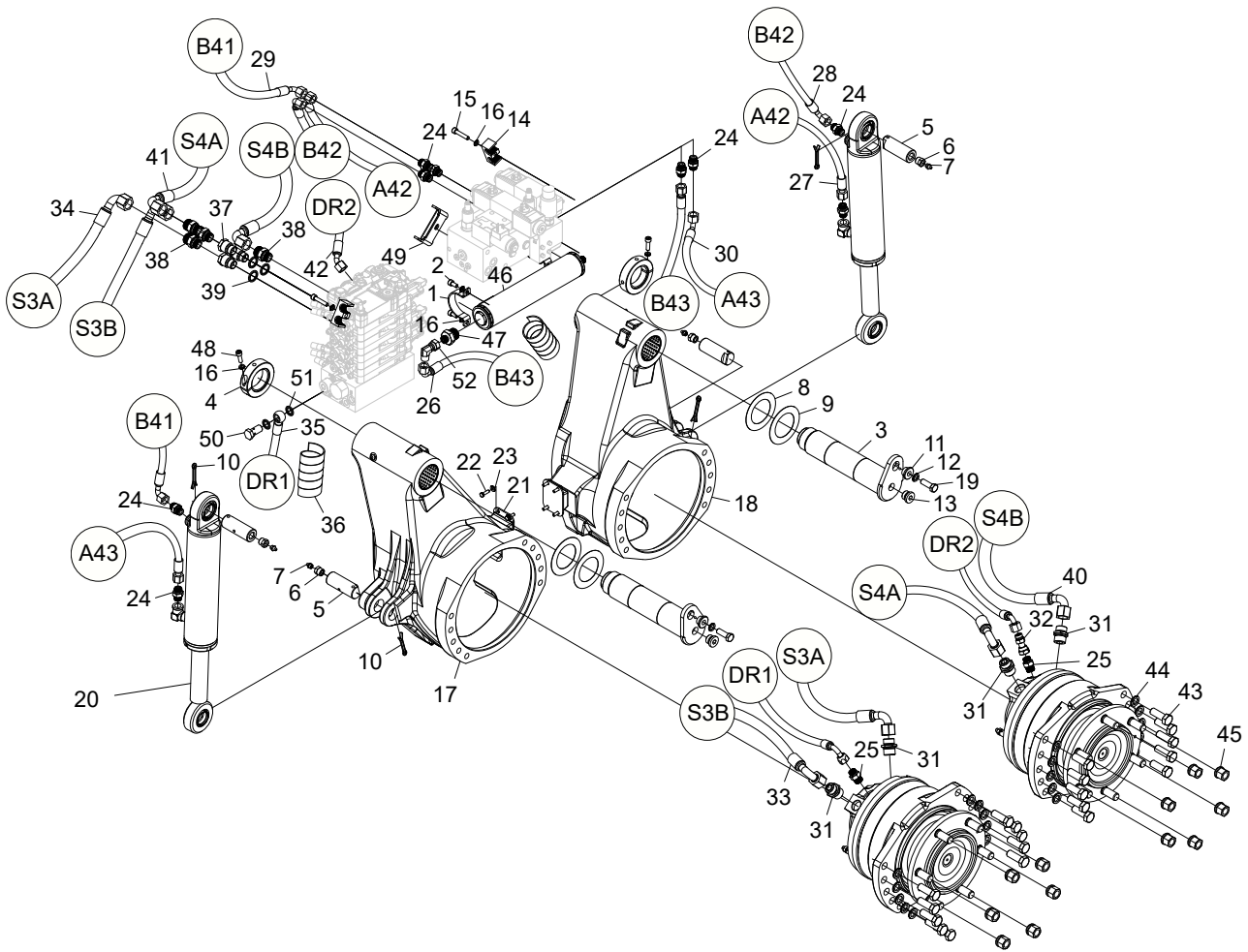
Structure 013203				
Pos.	Part no.	Quantity	Description	Specification
1	013510-KIT	1	Rod kit	
2	620085	1	Seal kit	
3	510050	2	Spherical bushing	
4	517245	3	Circlip	SGH 52



Cylinder cover

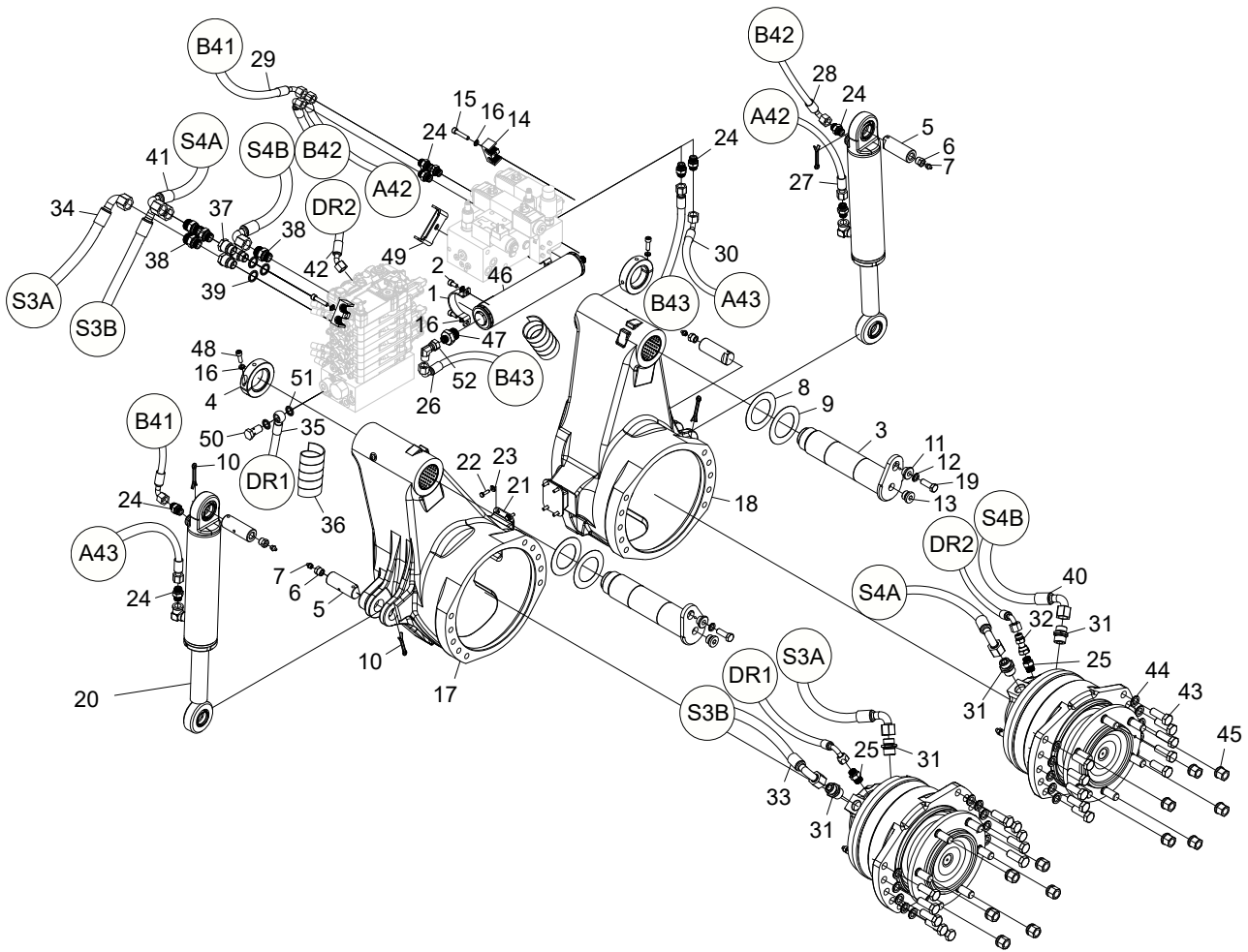
Structure 043536				
Pos.	Part no.	Quantity	Description	Specification
1	012120	1	Cover	
2	502055	1	Nut	M10
3	500079	1	Screw	M10x80 8.8 FZB

Feeding unit

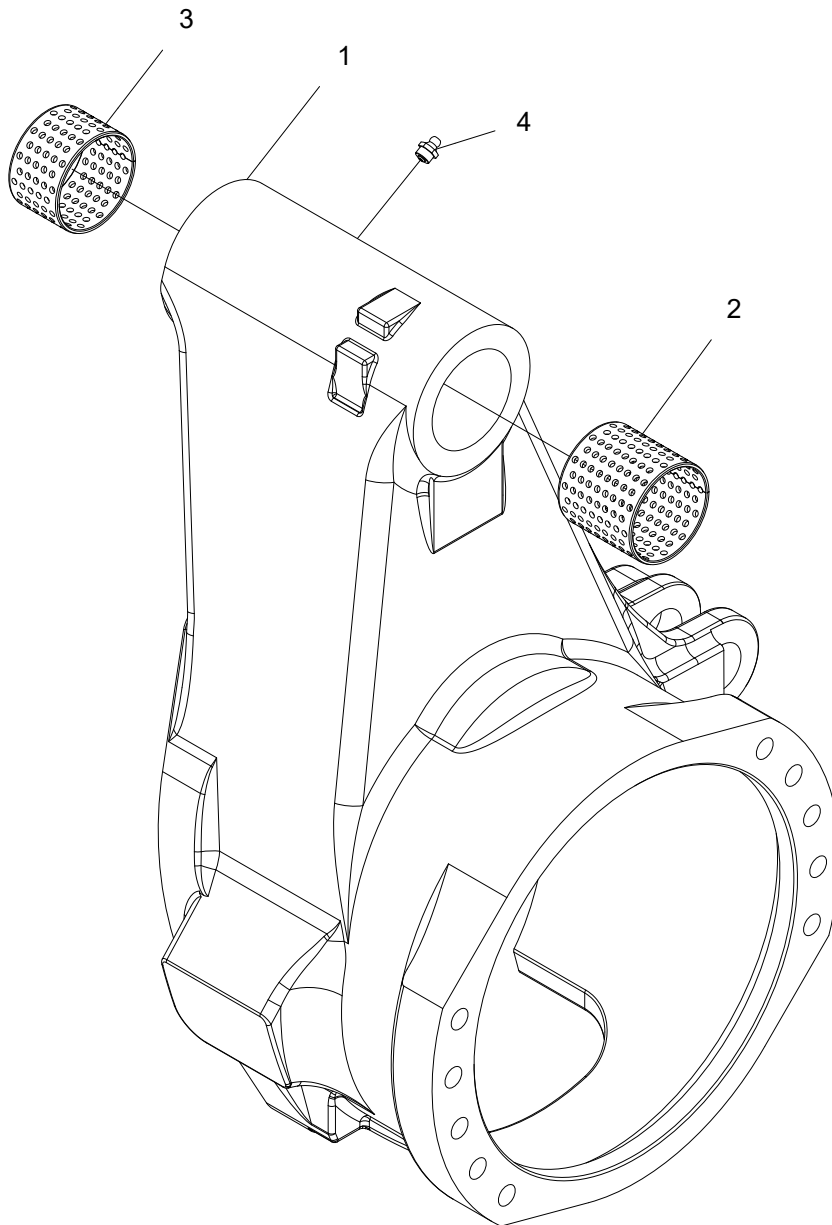


Feed roller arms, assembly

Structure 043550				
Pos.	Part no.	Quantity	Description	Specification
1	018389	2	Clamp	
2	501067	4	Screw	M8x16 12.9
3	018218	2	Pin	Ø60x281
4	016069	2	Threaded ring	M55
5	012586	4	Pin	Ø32x86
6	602030	4	Adapter	1/8"-3/8"
7	625000	4	Grease nipple	1/8"
8	507011	2	Shim	63x98x0,5
9	507012	2	Shim	63x98x1
10	516002	4	Cotter pin	6,3x50
11	013872	2	Washer	
12	503060	2	Washer	NL12
13	601003	2	Hex plug	1/2"
14	016878	2	Clamp	3/8"
15	501073	2	Screw	M8x40 12.9
16	503055	8	Washer	NL8
17	043024	1	Right feed roller arm	
18	043023	1	Left feed roller arm	
19	500092	2	Screw	M12x35 8.8 FZB
20	013203	2	Hydraulic cylinder	
21	014377	2	Rubber damper	
22	500024	8	Screw	M6x20 8.8 FZB
23	503073	8	Washer	NL6 sp
24	601754	9	Adapter	BSP 3/8"-11/16" ORFS
25	601764	2	Adapter	3/4"-11/16" ORFS
26	648045	1	Hydraulic hose	
27	648046	1	Hydraulic hose	
28	648047	1	Hydraulic hose	
29	648048	1	Hydraulic hose	
30	648049	1	Hydraulic hose	
31	601777	4	Adapter	1"- 1 1/16" ORFS
32	601773	1	Adapter	11/16" ORFS
33	648050	1	Hydraulic hose	

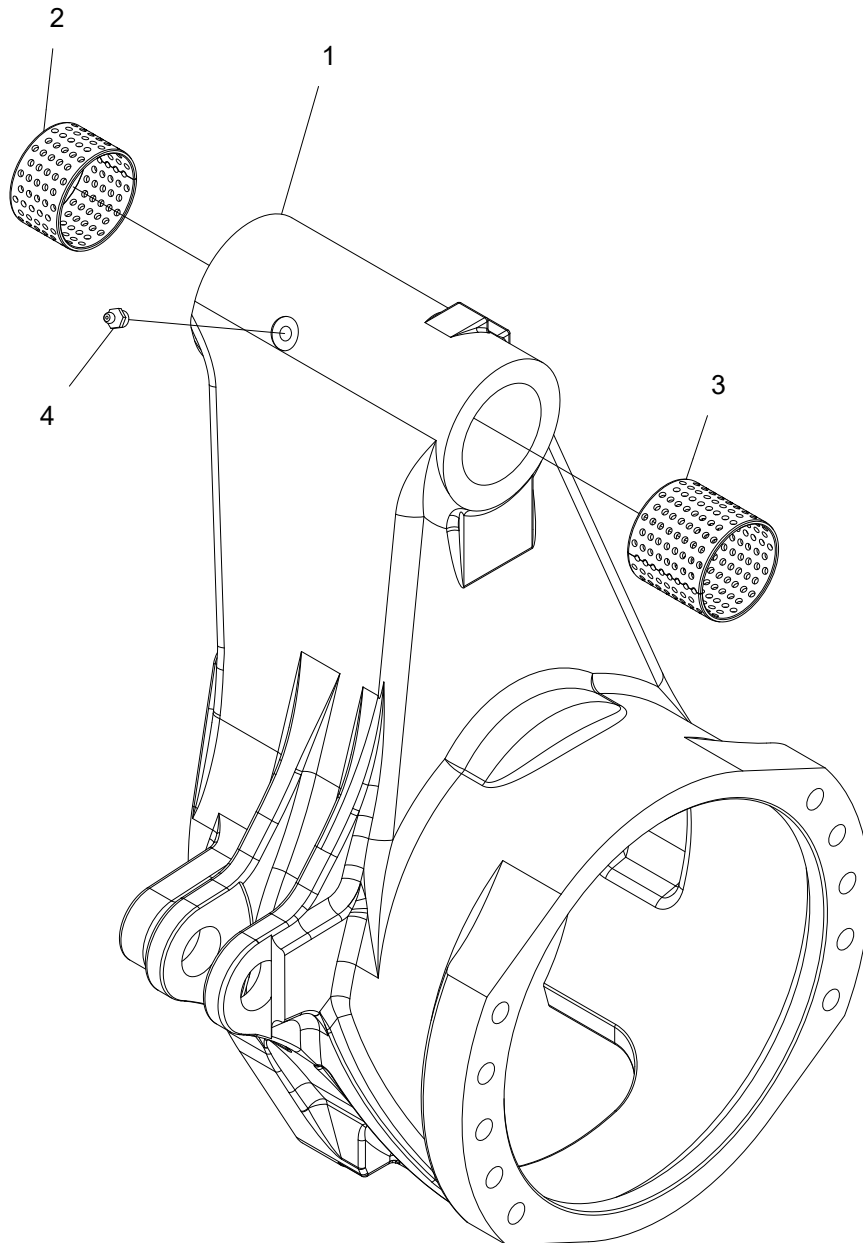


Structure 043550				
Pos.	Part no.	Quantity	Description	Specification
34	648051	1	Hydraulic hose	
35	648052	1	Hydraulic hose	
36	615051		Hose cover	2"
37	013805	3	Adapter	1/2"
38	601759	4	Adapter	BSP 1/2"-1" ORFS
39	601103	3	Bonded seal	1/2"
40	648053	1	Hydraulic hose	
41	648054	1	Hydraulic hose	
42	648055	1	Hydraulic hose	
43	500132	20	Screw	M16x45 8.8 FZB
44	503063	20	Washer	NL16
45	502718	12	Nut	M18x1,5 FZB
46	610221	1	Accumulator	0,5l 85bar
47	601768	1	Adapter	BSP 3/4"-11/16" ORFS
48	501070	2	Screw	M8x25 12.9
49	016072	1	Bracket	3/8"
50	601061	1	Banjo screw	3/8"
51	601102	2	Bonded seal	3/8"
52	601726	1	Adapter	90° 11/16" ORFS



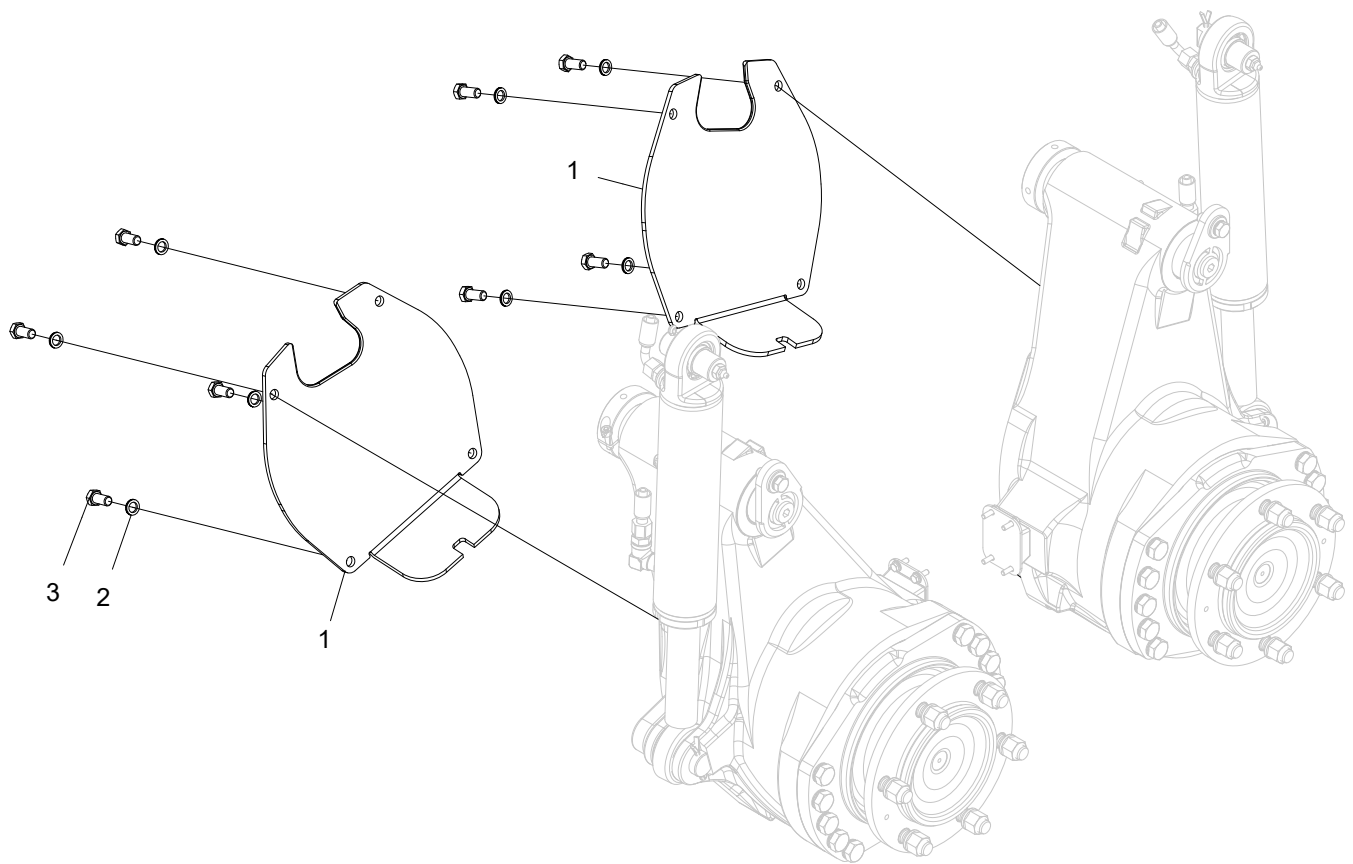
Left feed roller arm

Structure 043023				
Pos.	Part no.	Quantity	Description	Specification
1	014905	1	Feed roller arm	
2	512029	1	Bushing	60x60
3	512028	1	Bushing	60x40
4	625000	1	Grease nipple	1/8"



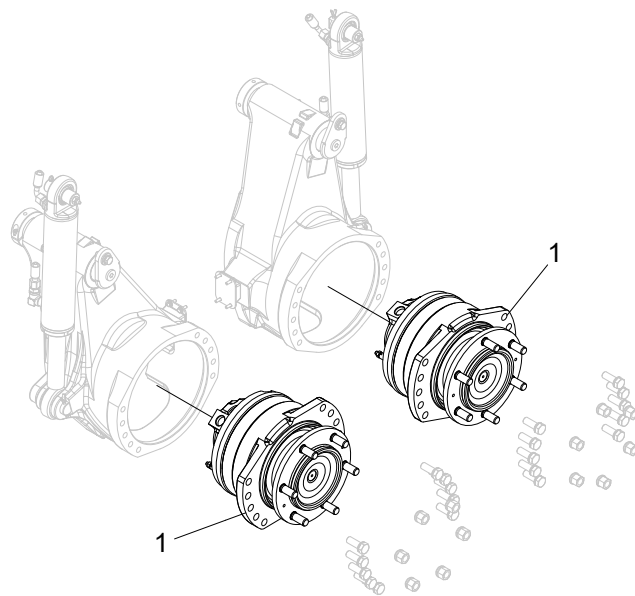
Right feed roller arm

Structure 043024				
Pos.	Part no.	Quantity	Description	Specification
1	014906	1	Feed roller arm	
2	512028	1	Bushing	60x40
3	512029	1	Bushing	60x60
4	625000	1	Grease nipple	1/8"



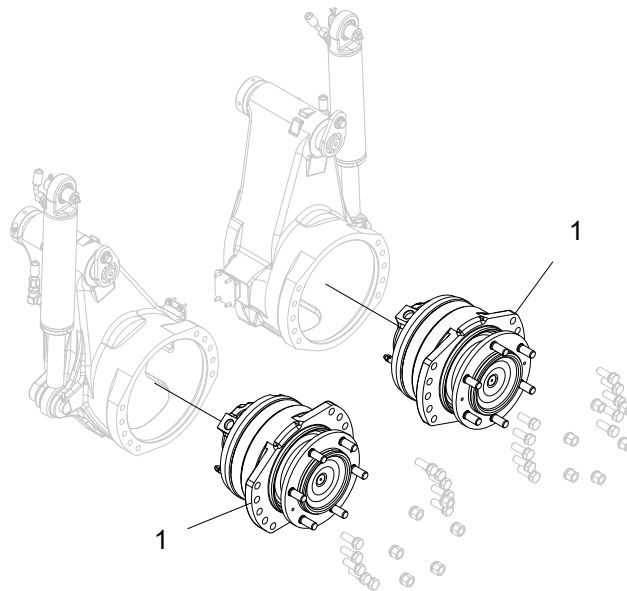
Feed roller arms cover

Structure 043551				
Pos.	Part no.	Quantity	Description	Specification
1	014913	2	Cover	
2	503060	8	Washer	NL12
3	500090	8	Screw	M12x25 8.8 FZB



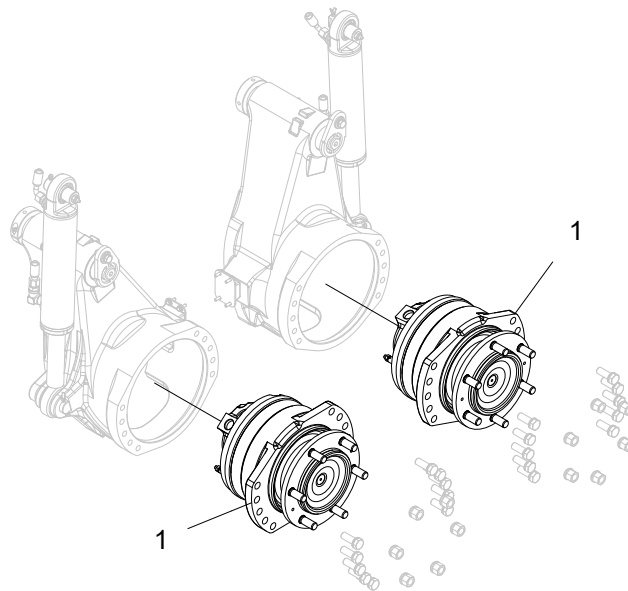
Feed roller motors 857 ccm

Structure 043553				
Pos.	Part no.	Quantity	Description	Specification
1	609067	2	Feed roller motor	857 ccm



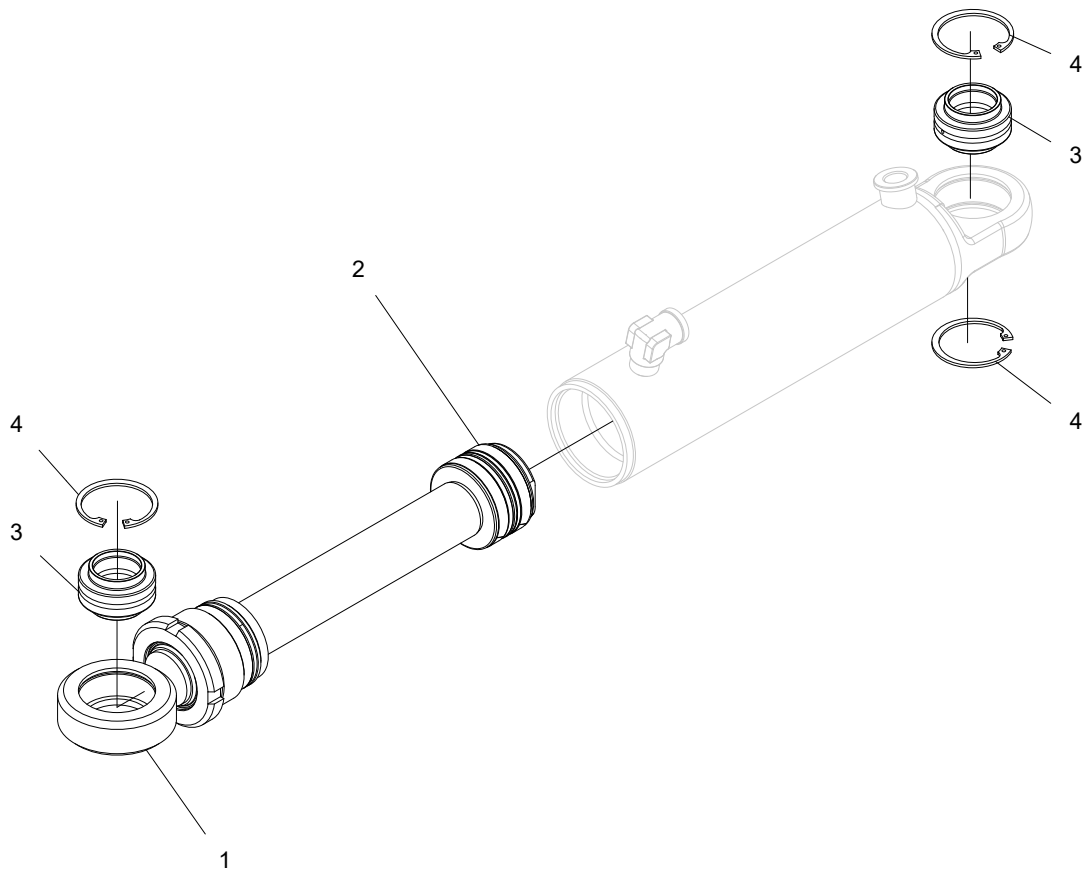
Feed roller motors 627 ccm

Structure 043554				
Pos.	Part no.	Quantity	Description	Specification
1	609141	2	Feed roller motor	627 ccm



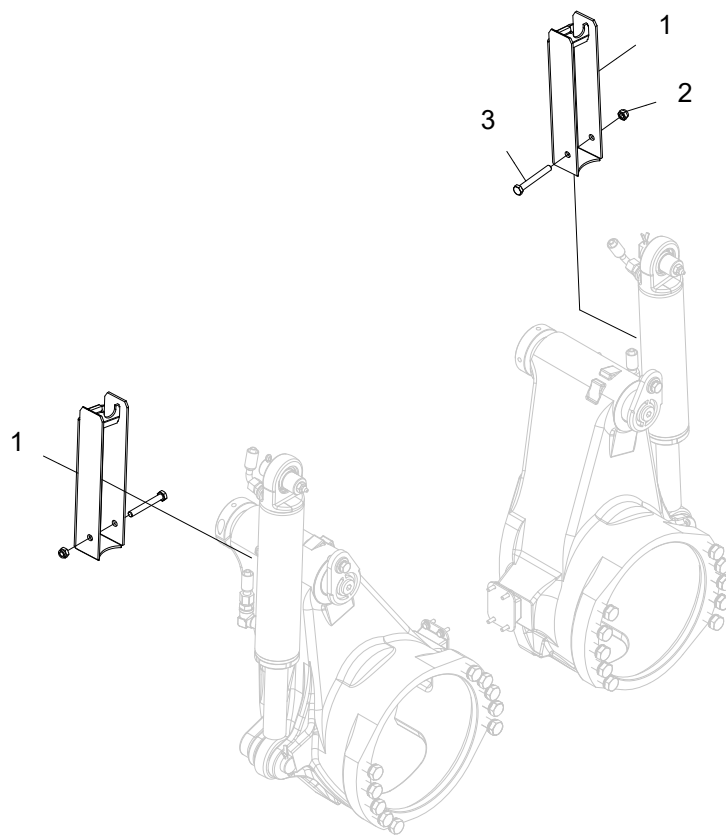
Feed roller motors 934 ccm

Structure 043555				
Pos.	Part no.	Quantity	Description	Specification
1	609068	2	Feed roller motor	934 ccm



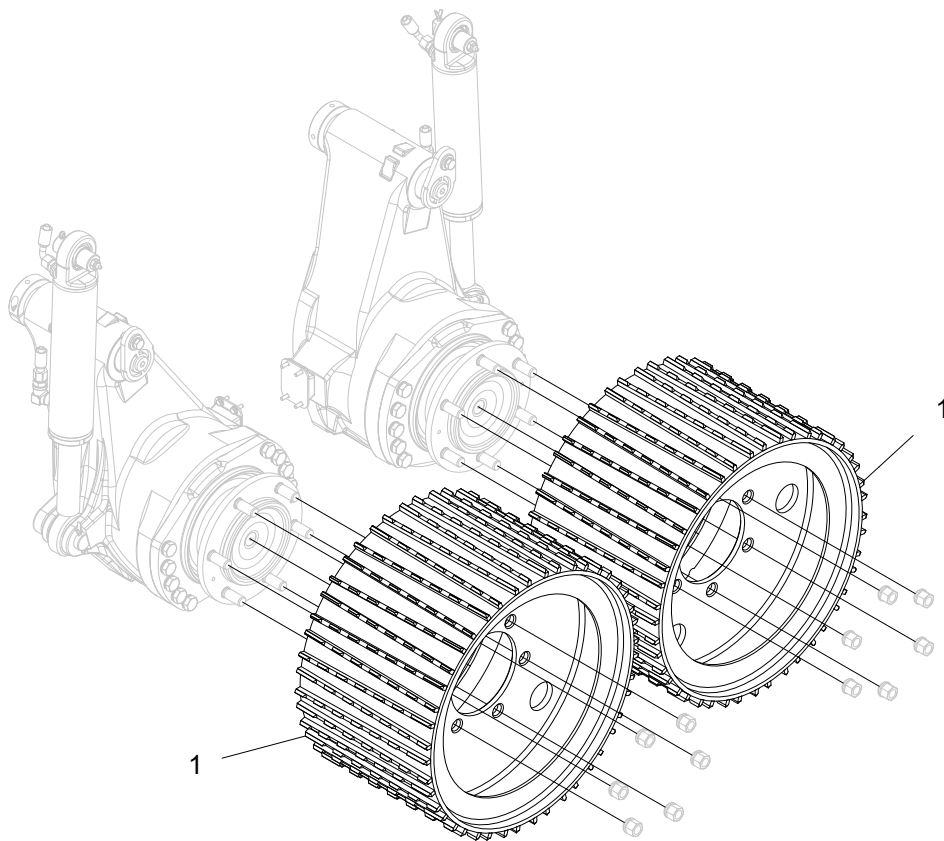
Hydraulic cylinder

Structure 013203				
Pos.	Part no.	Quantity	Description	Specification
1	013510-KIT	1	Rod kit	
2	620085	1	Seal kit	
3	510050	2	Spherical bushing	
4	517245	3	Circlip	SGH 52



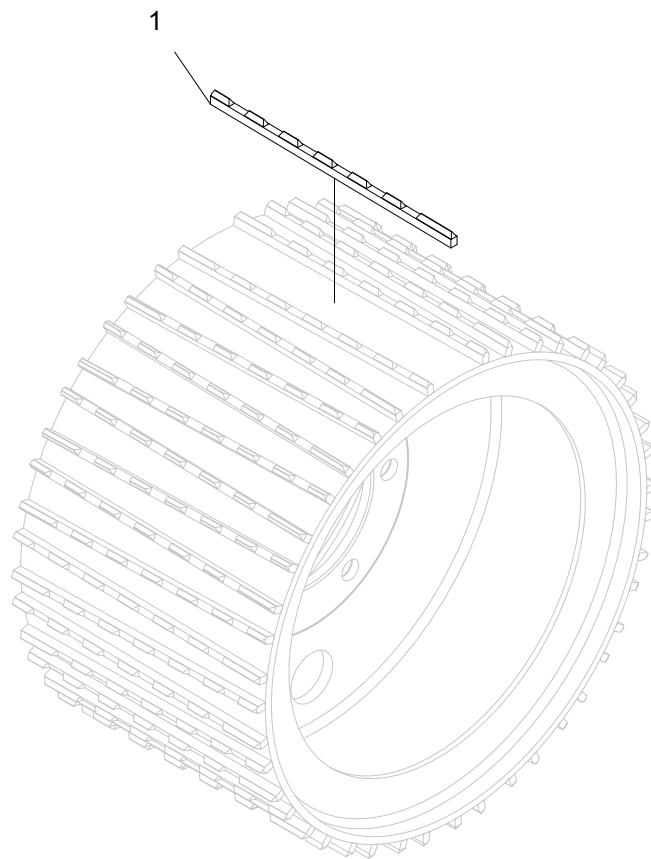
Cylinder cover

Structure 043552				
Pos.	Part no.	Quantity	Description	Specification
1	012120	2	Cover	
2	502055	2	Nut	M10
3	500079	2	Screw	M10x80 8.8 FZB



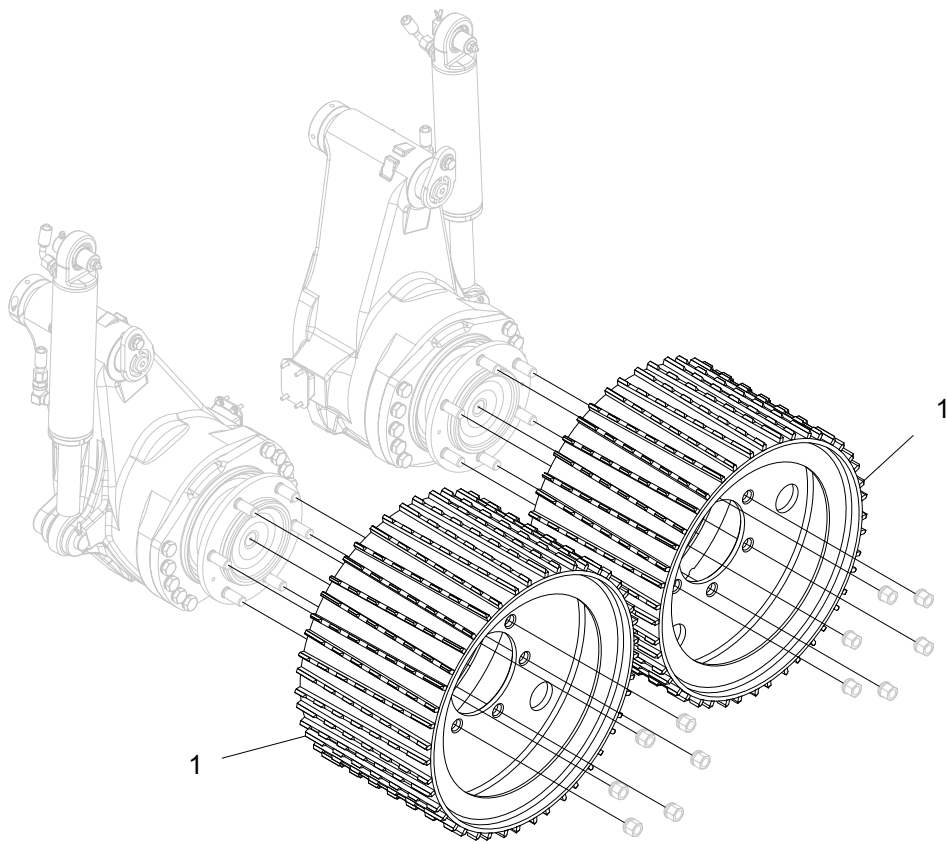
Feed rollers V-steel S

Structure 043592				
Pos.	Part no.	Quantity	Description	Specification
1	018248	2	Feed roller	



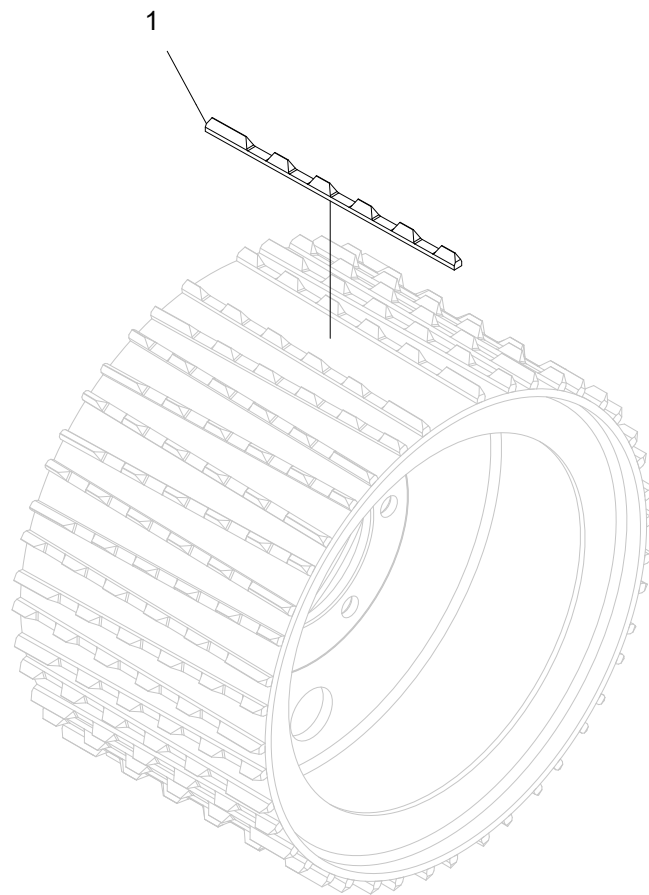
Feed roller V-steel S

Structure 018248				
Pos.	Part no.	Quantity	Description	Specification
1	016638	44	Bar	



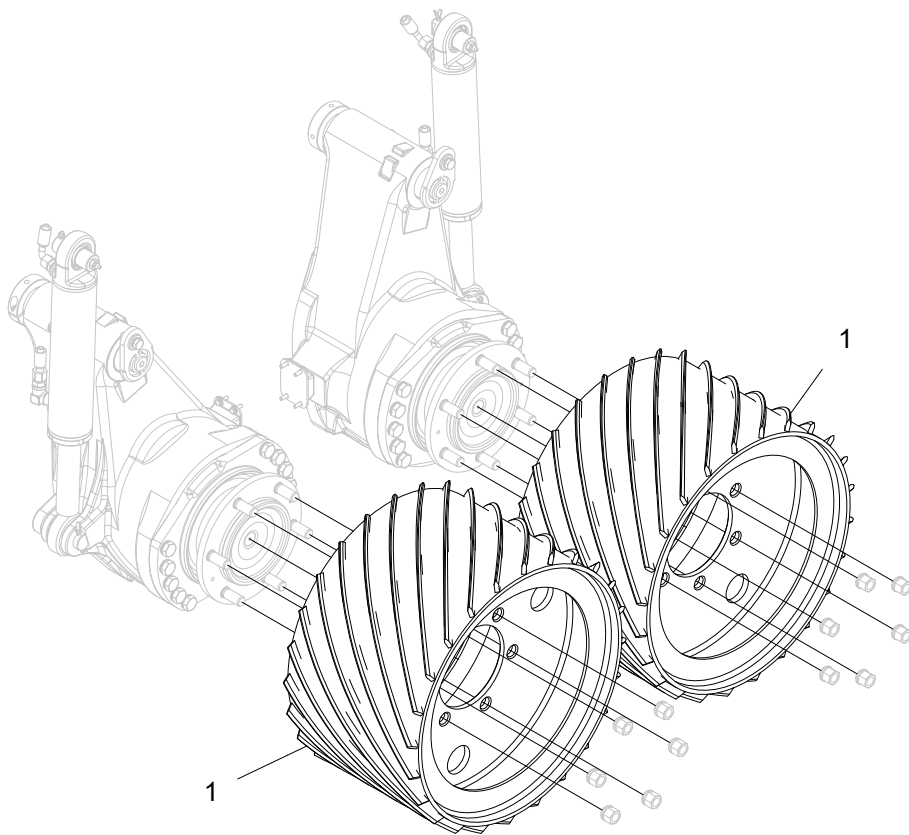
Feed rollers V-steel E

Structure 043594				
Pos.	Part no.	Quantity	Description	Specification
1	018249	2	Feed roller	



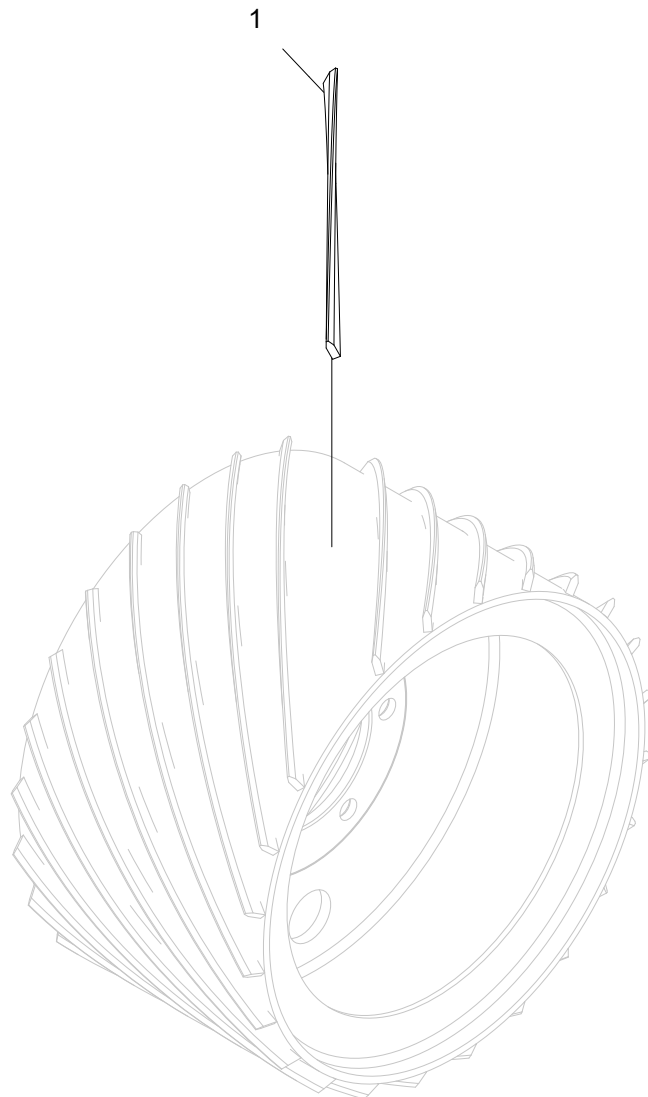
Feed roller V-steel E

Structure 018249				
Pos.	Part no.	Quantity	Description	Specification
1	016812	44	Bar	



Feed rollers Eucalyptus

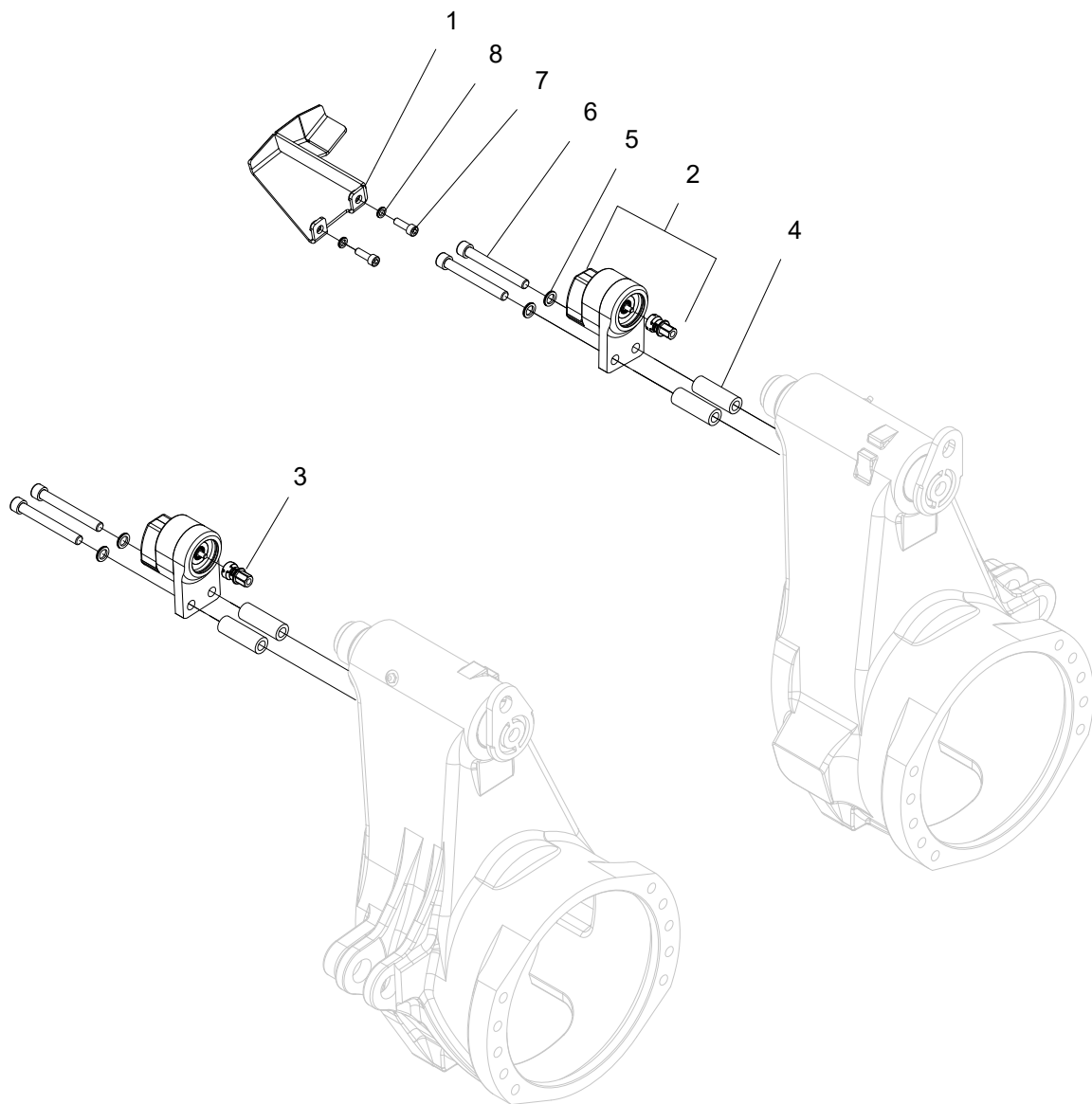
Structure 043596				
Pos.	Part no.	Quantity	Description	Specification
1	018250	2	Feed roller	



Feed roller Eucalyptus

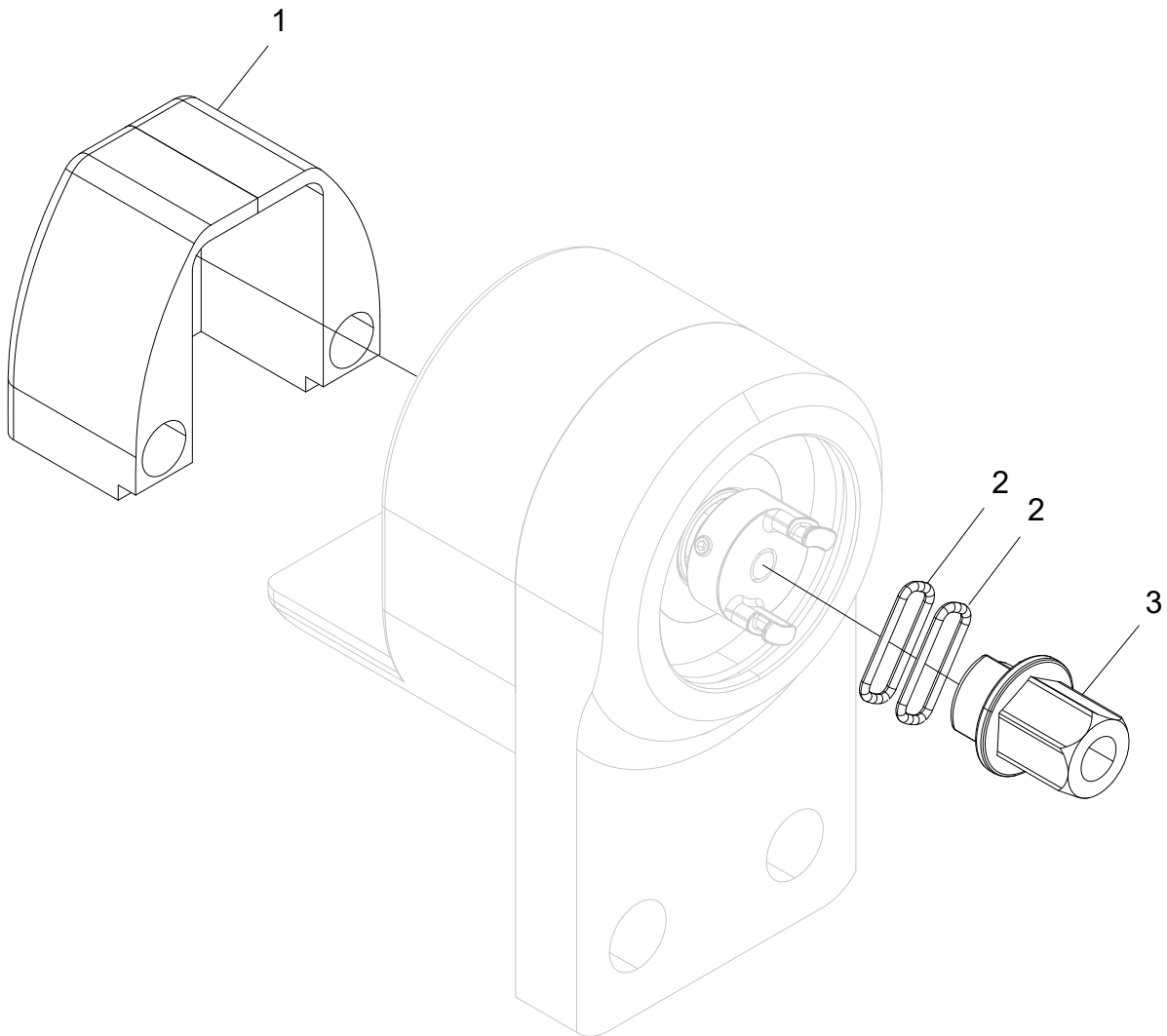
Structure 018250				
Pos.	Part no.	Quantity	Description	Specification
1	015776	24	Bar	

Measuring



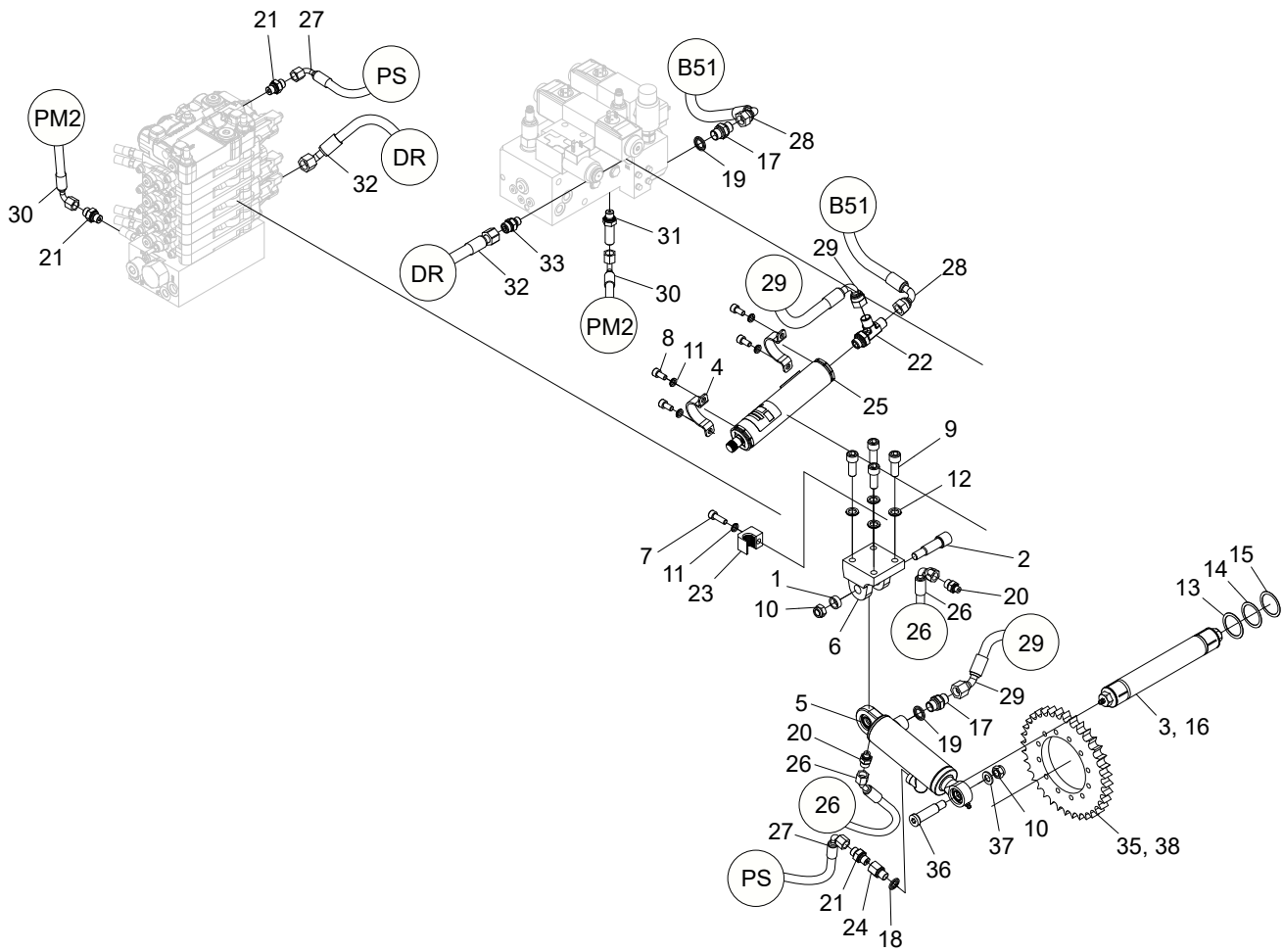
Diameter measuring unit

Structure 043563				
Pos.	Part no.	Quantity	Description	Specification
1	018391	1	Cover	
2	401267	2	Encoder	600ppr
3	031072	1	Coupling	
4	017704	4	Spacer	
5	503060	4	Washer	NL12
6	501119	4	Screw	M12x100 12.9
7	501070	2	Screw	M8x25 12.9
8	503055	2	Washer	NL8



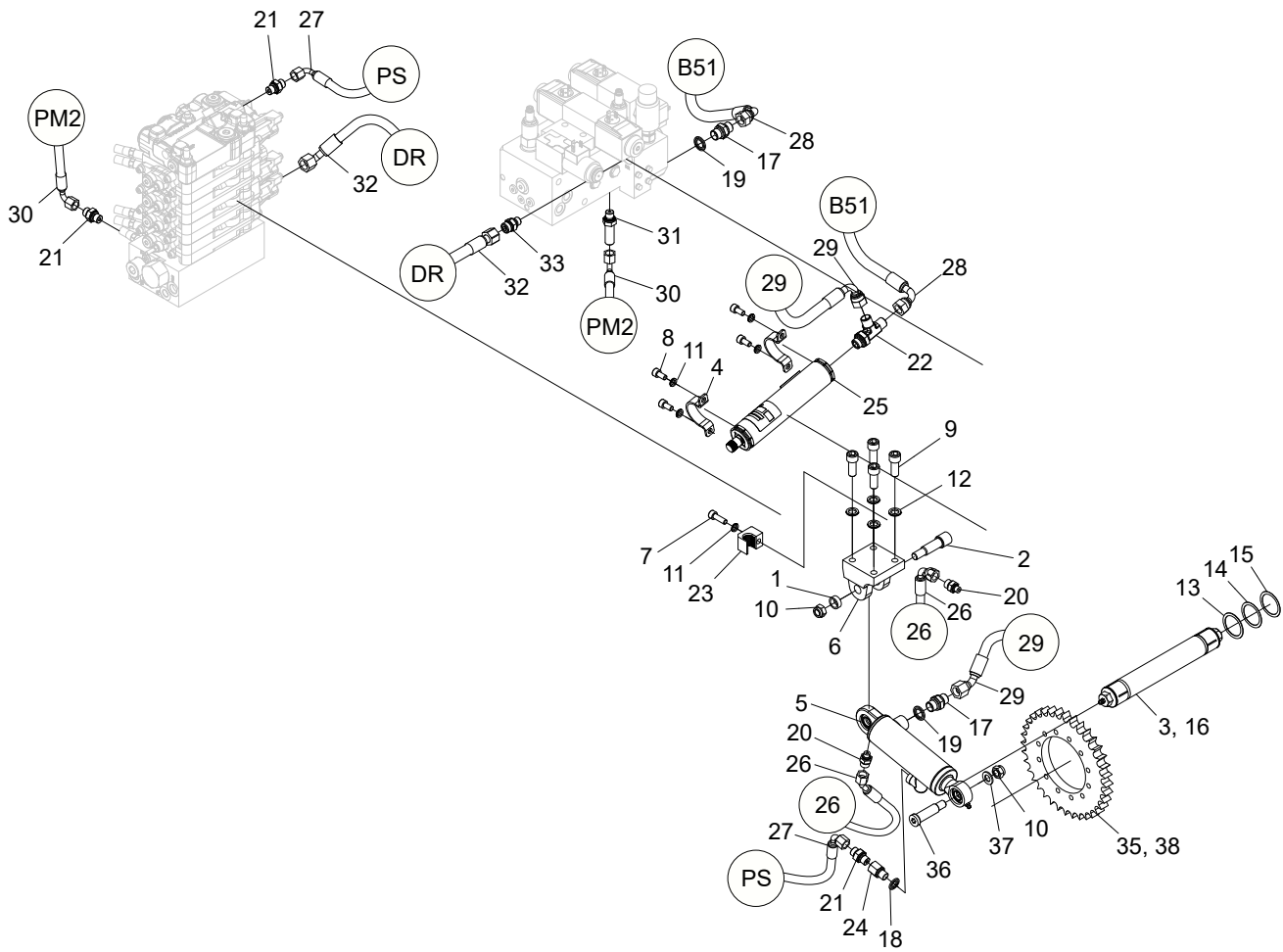
Encoder

Structure 401267				
Pos.	Part no.	Quantity	Description	Specification
1	401226	1	Cover	
2	540039	2	O-ring	10,82x1,78
3	017634	1	Hexagon plug	

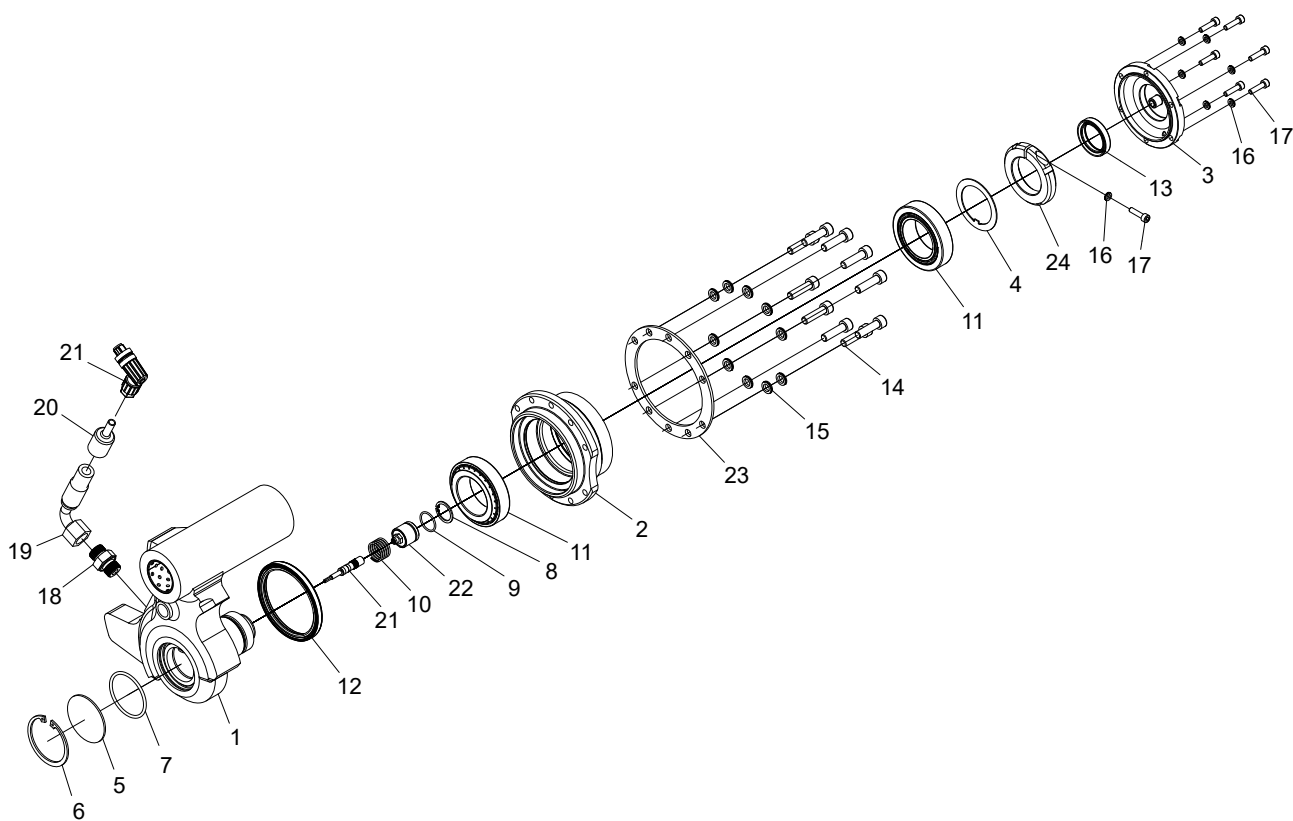


Length measuring, assembly

Structure 043560				
Pos.	Part no.	Quantity	Description	Specification
1	012398	2	Spacer	
2	016217	1	Shaft	Ø20 - 76
3	518069	1	Expander shaft	Ø35x220
4	018390	2	Clamp	Ø44
5	018400	1	Hydraulic cylinder	
6	018792	1	Cylinder bracket	
7	501070	1	Screw	M8x25 12.9
8	501067	4	Screw	M8x16 12.9
9	501109	4	Screw	M12x30 12.9
10	502056	2	Nut	M12
11	503055	5	Washer	NL8
12	503060	4	Washer	NL12
13	507001	1	Shim	36x45x1
14	507002	1	Shim	36x45x0,5
15	507003	1	Shim	36x45x0,3
16			Loctite	243
17	601032	2	Adapter	3/8"
18	601101	1	Bonded seal	1/4"
19	601102	2	Bonded seal	3/8"
20	601749	2	Adapter	BSP 1/8" - 9/16" ORFS
21	601750	3	Adapter	BSP 1/4" - 9/16" ORFS
22	602013	1	Adapter	BSP -06
23	018421	1	Hose clamp	3/8"
24	602055	1	Adapter	1/4"
25	610201	1	Accumulator	
26	648029	1	Grease hose	
27	648056	1	Hydraulic hose	
28	648057	1	Hydraulic hose	
29	648058	1	Hydraulic hose	
30	648038	1	Hydraulic hose	
31	601751	1	Adapter	1/4" - ORFS -06
32	648059	1	Hydraulic hose	
33	601752	1	Adapter	1/4" - ORFS -06

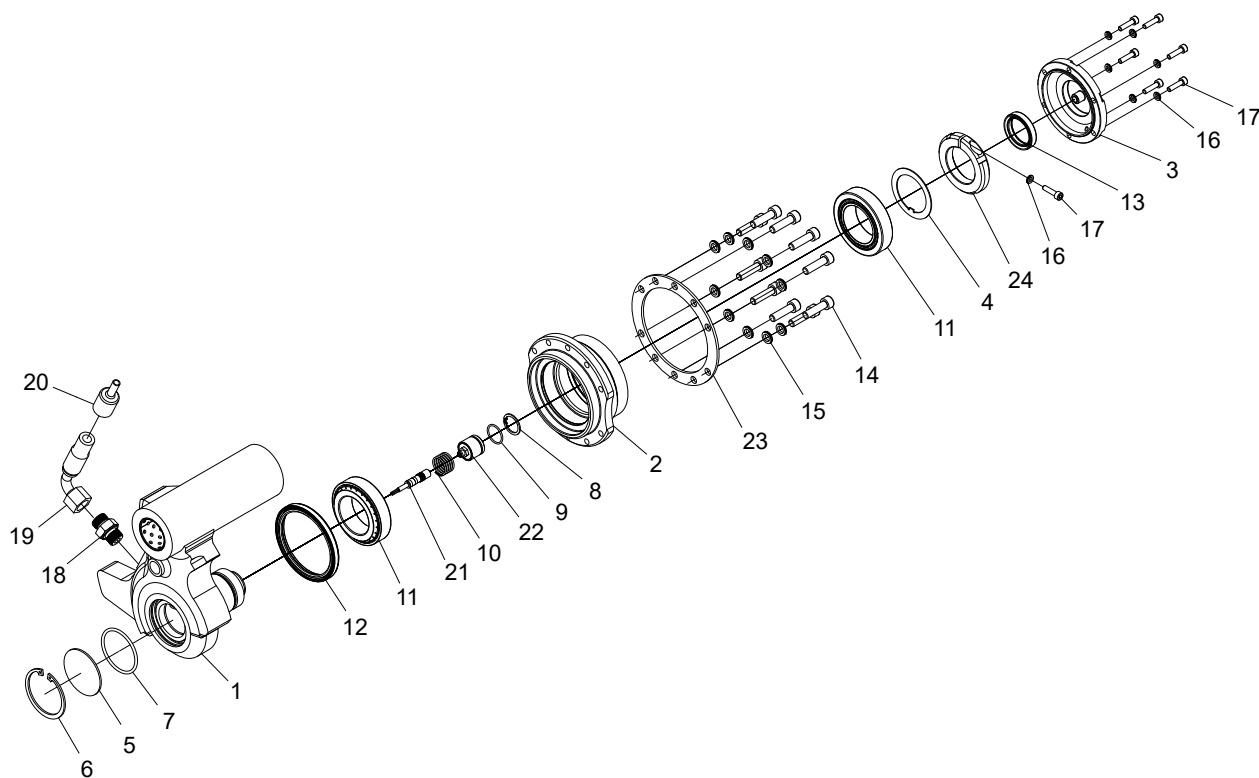


Structure 043560				
Pos.	Part no.	Quantity	Description	Specification
34	601001	1	Hex plug	
35	017378	1	Wheel rim	
36	10000097	1	Screw	
37	503009	1	Washer	12x22x2 FZB
38	017379	1	Wheel rim	



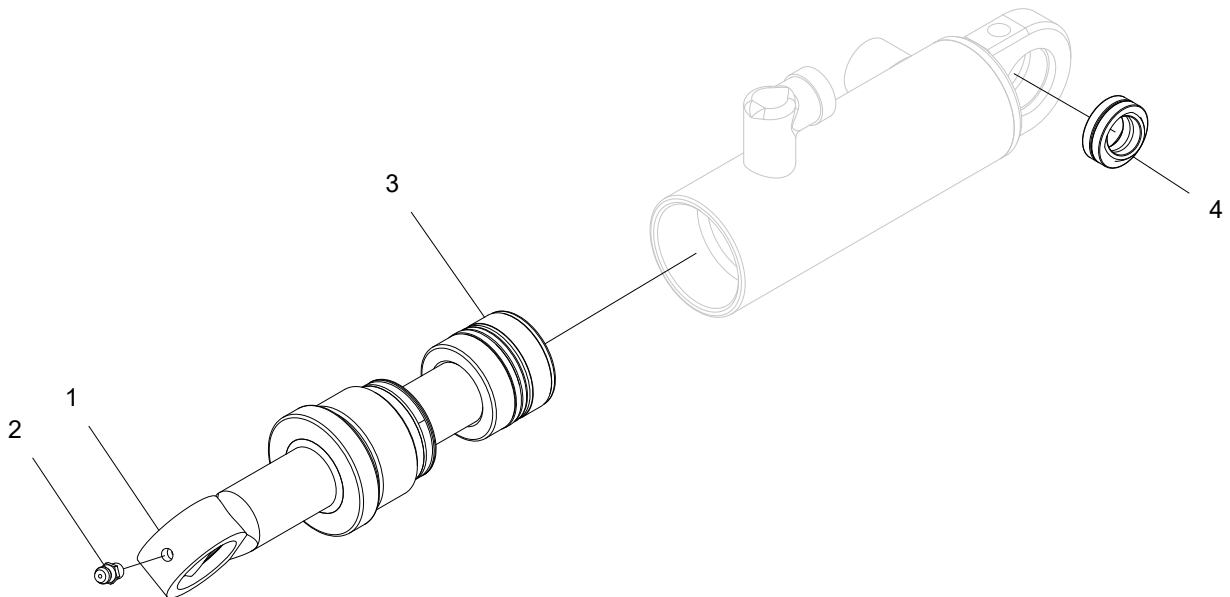
Length measuring arm, Log Mate 510 and Forester

Structure 10000145				
Pos.	Part no.	Quantity	Description	Specification
1	10000079	1	Measuring wheel arm	
2	10000098	1	Hub	
3	018798	1	Cap	
4	018897	1	Spacer	
5	018876	1	Cap	
6	517249	1	Circlip	SGH 56
7	543075	1	O-ring	48x3
8	517215	1	Circlip	SGH 23
9	540014	1	O-ring	17,1x1,6 mm
10	526041	1	Spring	1,6x20x33,2
11	508021	2	Roller bearing	45x75x20
12	3266800	1	Seal ring	75x90x8
13	546008	1	Seal ring	31x42x8
14	501071	10	Screw	M8x30 12.9
15	503055	10	Washer	NL8
16	503066	7	Washer	NL5
17	501029	7	Screw	M5x20 12.9
18	601754	1	Adapter	BSP 3/8" - 11/16" ORFS
19	648130	1	Hose	
20	015113	1	Seal	
21	673314	1	Cable	
22	401382	1	Sensor	
23	10000099	1	Spacer	
24	10000299	1	Threaded ring	M45x1,5



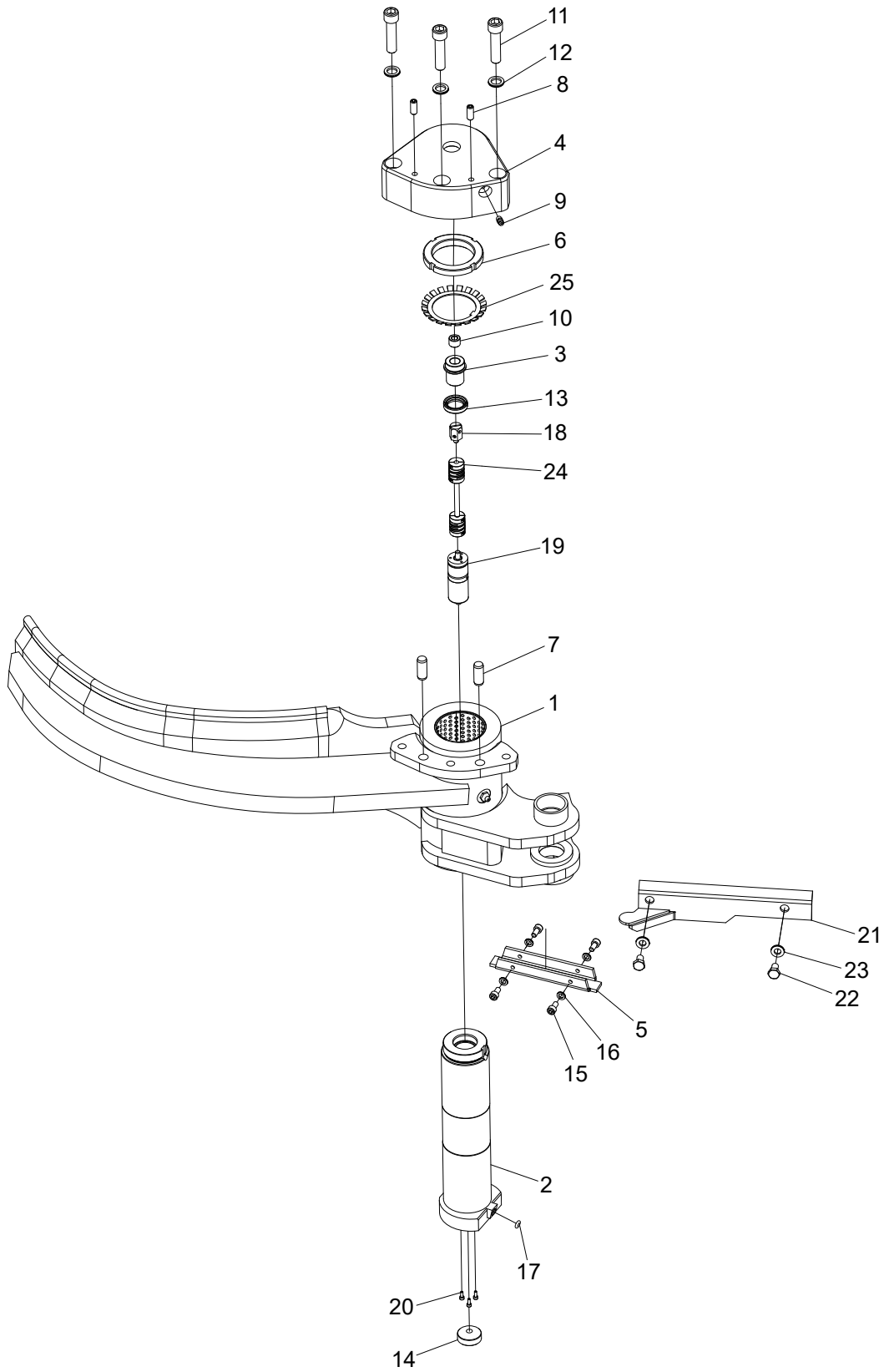
Length measuring arm, Interface

Structure 10000146				
Pos.	Part no.	Quantity	Description	Specification
1	10000079	1	Measuring wheel arm	
2	10000098	1	Hub	
3	018798	1	Cap	
4	018897	1	Spacer	
5	018876	1	Cap	
6	517249	1	Circlip	SGH 56
7	543075	1	O-ring	48x3
8	517215	1	Circlip	SGH 23
9	540014	1	O-ring	17,1x1,6 mm
10	526041	1	Spring	1,6x20x33,2
11	508021	2	Roller bearing	45x75x20
12	3266800	1	Seal ring	75x90x8
13	546008	1	Seal ring	31x42x8
14	501071	10	Screw	M8x30 12.9
15	503055	10	Washer	NL8
16	503066	7	Washer	NL5
17	501029	7	Screw	M5x20 12.9
18	601754	1	Adapter	BSP 3/8" - 11/16" ORFS
19	648130	1	Hose	
20	015113	1	Seal	
21	673315	1	Cable	
22	401383	1	Sensor	
23	10000099	1	Spacer	
24	10000299	1	Threaded ring	M45x1,5



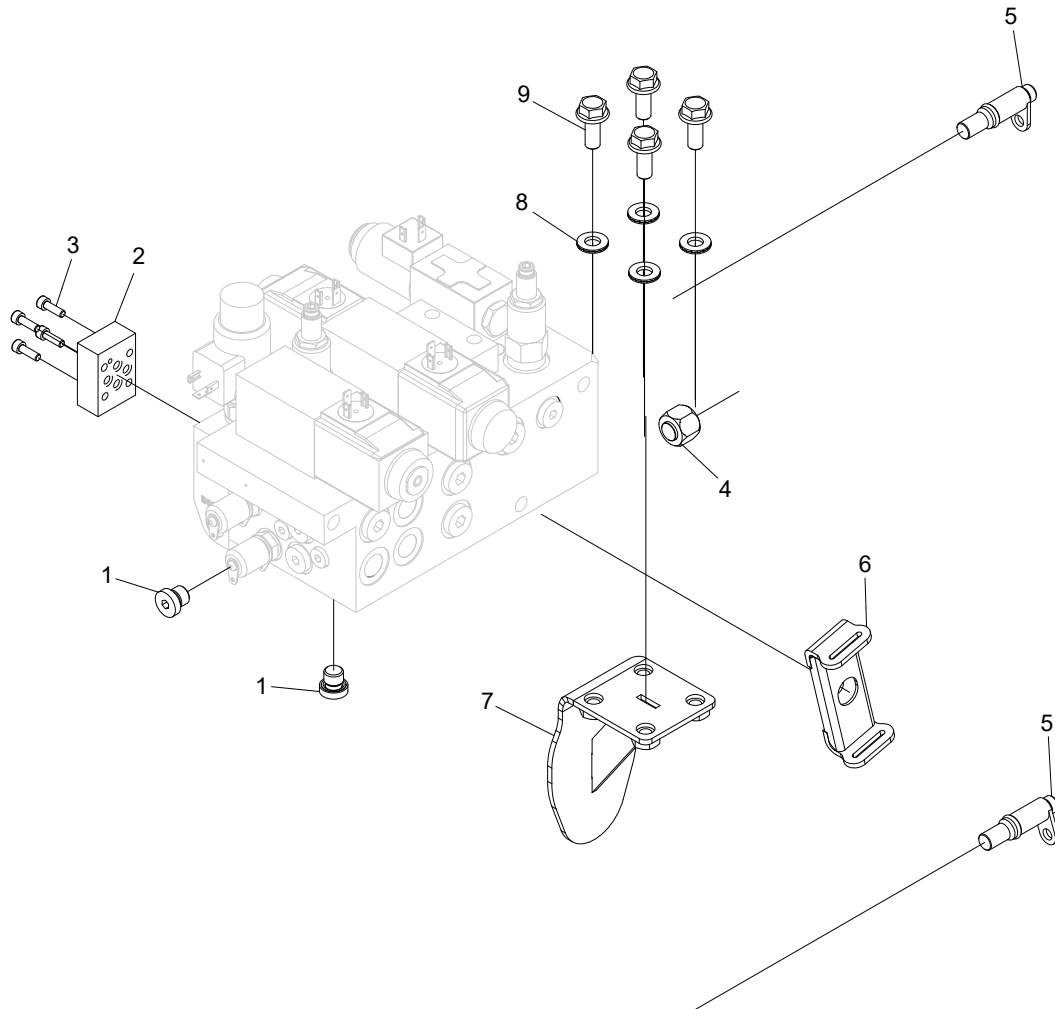
Hydraulic cylinder

Structure 018400				
Pos.	Part no.	Quantity	Description	Specification
1	018400-KIT	1	Rod kit	
2	625004	1	Grease nipple	M6
3		1	Seal kit	
4	510003	1	Spherical bushing	



4 point measuring

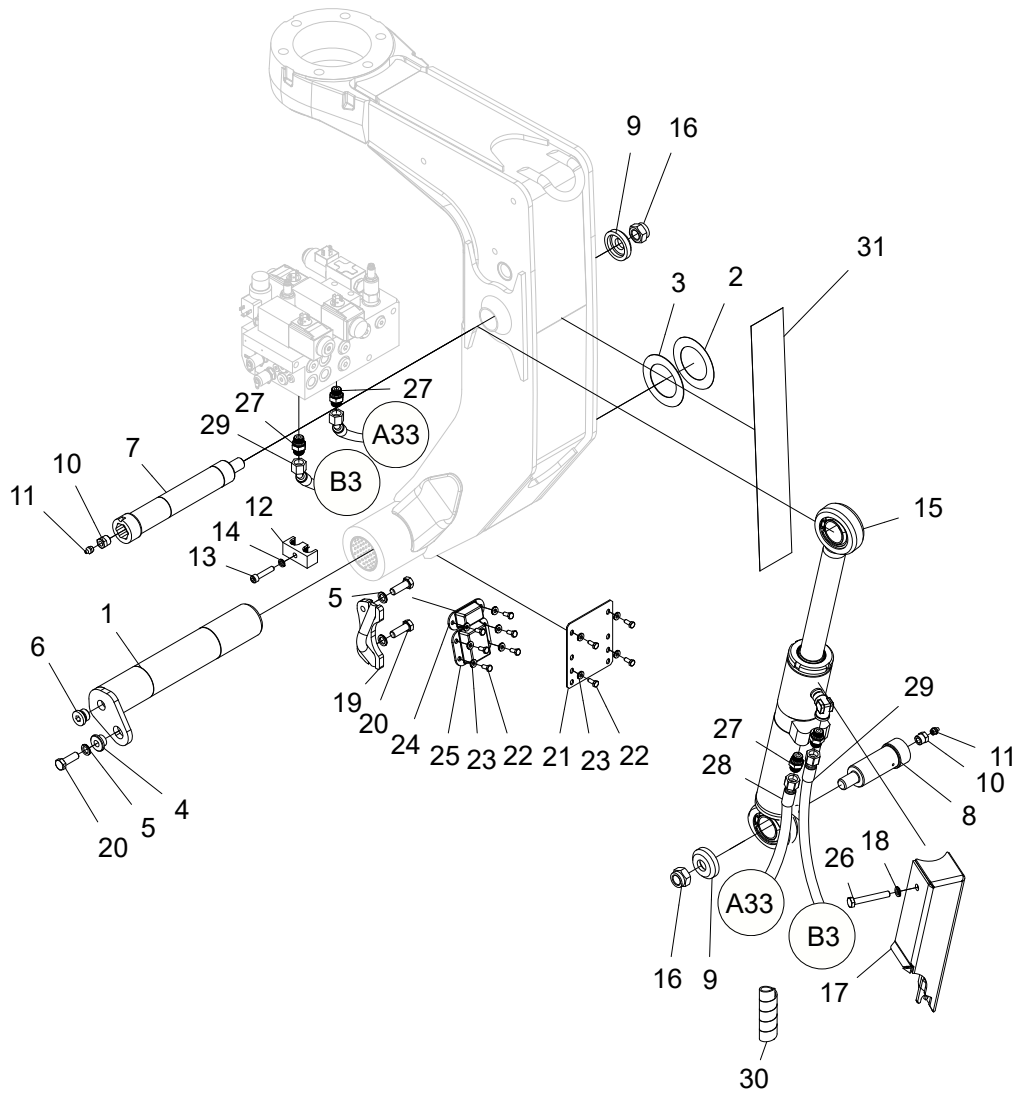
Structure 043590				
Pos.	Part no.	Quantity	Description	Specification
1	043018	1	Lower delimiting knife	
2	016899	1	Shaft	Ø60 - 248
3	016903	1	Sleeve	
4	016902	1	Arm	
5	016915	1	Cover	
6	518302	1	Lock nut	
7	515011	2	Cylindrical pin	12x30
8	513025	2	Screw	M8x20
9	625004	1	Grease nipple	M6
10	602105	1	Plug	M14x1,5
11	501113	3	Screw	M12x50 12.9
12	503060	3	Washer	NL12
13	524018	1	Radial seal	22x30x7
14	016913	1	Plug	M30x2
15	501043	4	Screw	M6x12 12.9
16	503065	4	Washer	NL6
17	543020	1	O-ring	4x3
18	016815	1	Carrier	
19	401219	1	Encoder	500 PPR
20	501002	3	Screw	M3x8 12.9
21	016917	1	Cover	
22	500041	2	Screw	M8x14 8.8 FZB
23	503074	2	Washer	NL8 sp
24	401181-72	1	Shaft coupling	
25	518303	1	Lock washer	MB11



Measuring unit, feed roller engine

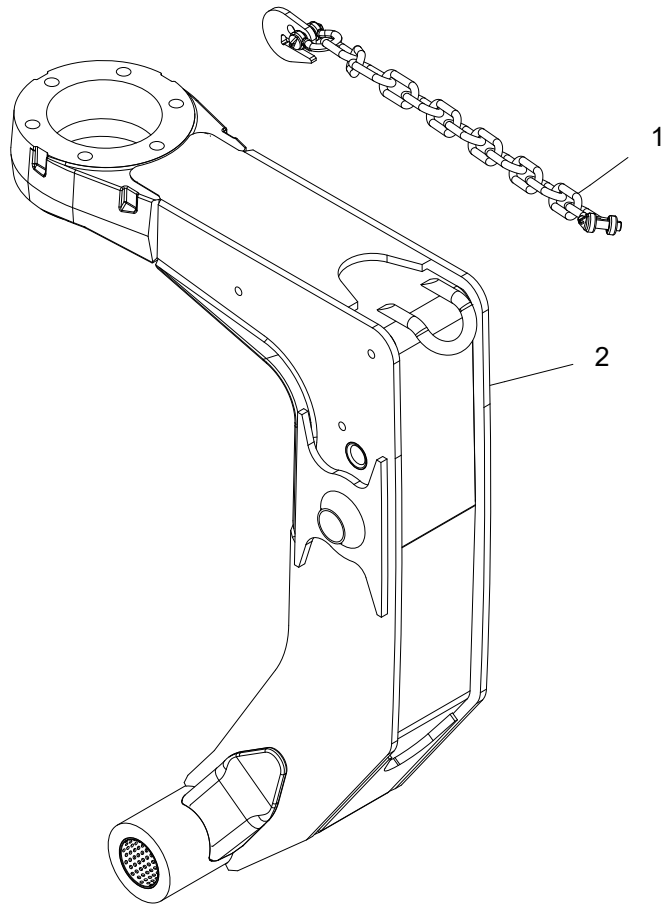
Structure 043564				
Pos.	Part no.	Quantity	Description	Specification
1	601001	2	Hex plug	1/4"
2	613038	1	Blanking plate	
3	501028	4	Screw	M5x16 12.9
4	608036	1	Nut	ORFS -06
5	635244	2	Encoder	
6	012991	1	Bracket	
7	10000337	1	Protection	
8	503075	4	Washer	NL10 sp
9	505084	4	Screw	M10x25 10.9

Felling unit



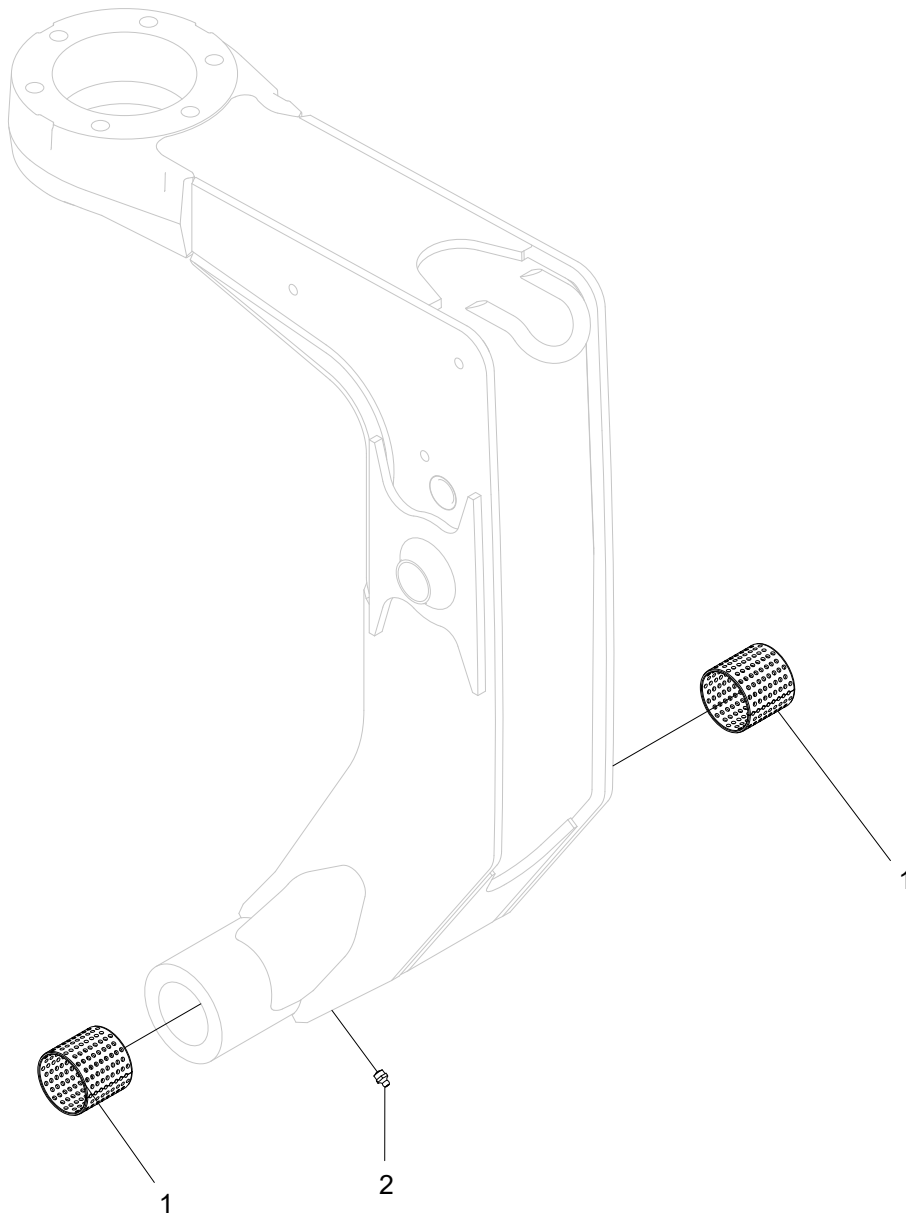
Felling link, assembly

Structure 043537				
Pos.	Part no.	Quantity	Description	Specification
1	013780	1	Pin	Ø60x354
2	507011	1	Shim	63x98x0,5
3	507012	1	Shim	63x98x1
4	013872	1	Washer	
5	503060	3	Washer	NL12
6	601003	1	Hex plug	1/2"
7	018069	1	Pin	Ø46x289
8	018068	1	Pin	Ø46x145
9	018086	2	Washer	
10	602030	2	Adapter	1/8"-3/8"
11	625000	2	Grease nipple	1/8"
12	016878	1	Clamp	3/8"
13	501073	1	Screw	M8x40 12.9
14	503055	1	Washer	NL8
15	013765	1	Hydraulic cylinder	
16	502060	2	Nut	M20
17	013920	1	Cover	
18	503057	1	Washer	NL10
19	018183	1	Hose leader	
20	500092	3	Screw	M12x35 8.8 FZB
21	013649	1	Plate	
22	500022	10	Screw	M6x14 8.8 FZB
23	503073	10	Washer	NL6 sp
24	012845	1	Rubber damper	
25	014377	1	Rubber damper	
26	500077	1	Screw	M10x70 8.8 FZB
27	601754	4	Adapter	BSP 3/8"-11/16" ORFS
28	648043	1	Hydraulic hose	
29	648044	1	Hydraulic hose	
30	615050		Hose cover	1"
31	519176	1	Decal	



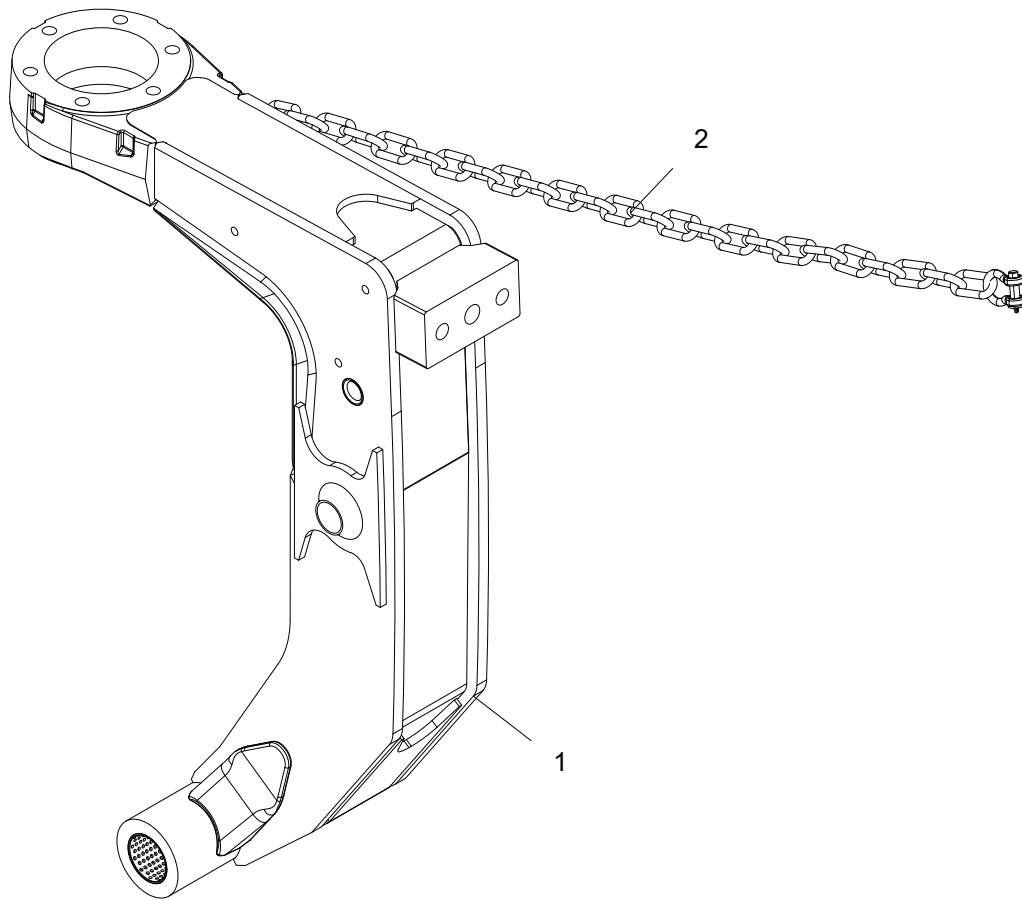
Felling link, standard

Structure 043538				
Pos.	Part no.	Quantity	Description	Specification
1	013239	1	Safety chain	
2	043526	1	Felling link	



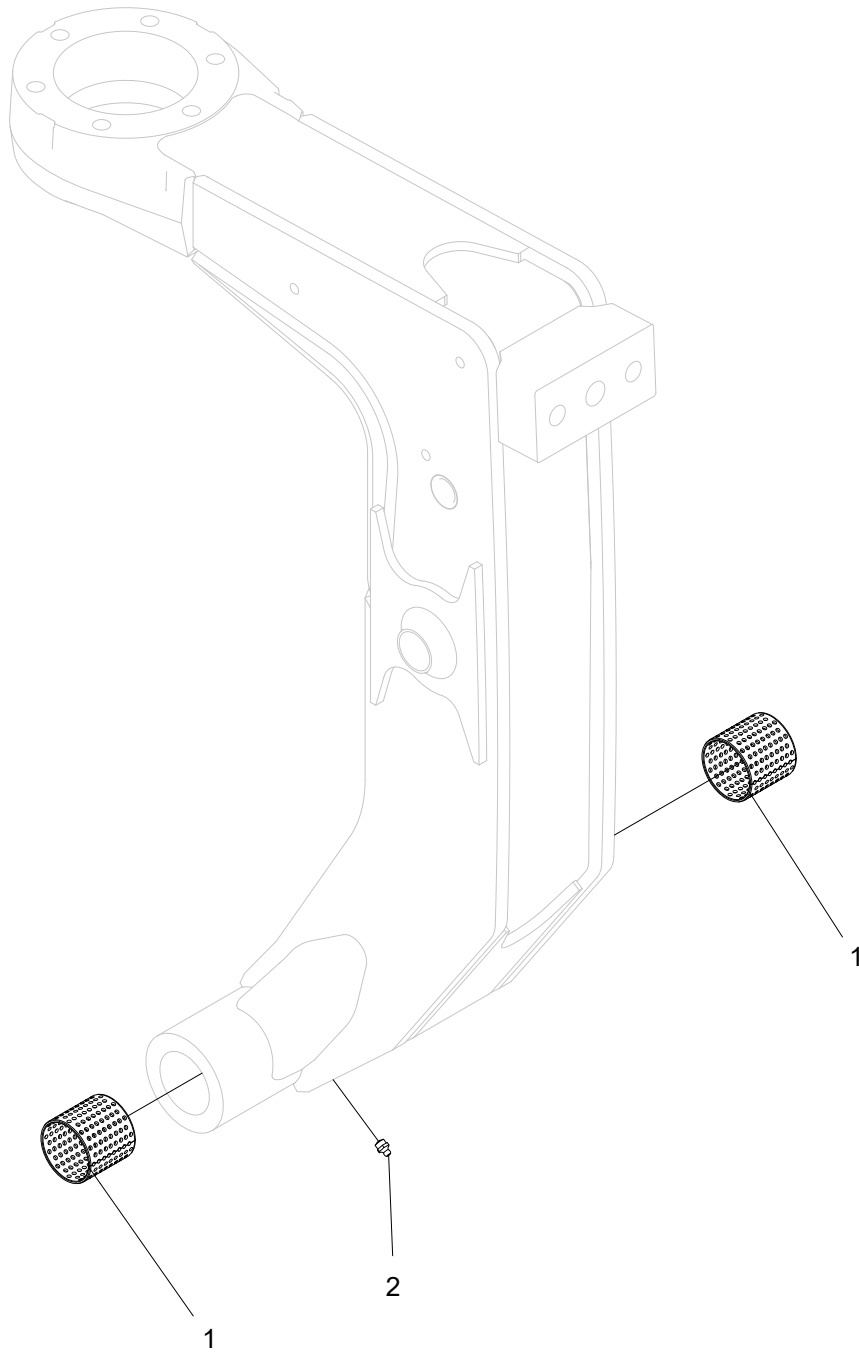
Felling link, standard

Structure 018629				
Pos.	Part no.	Quantity	Description	Specification
1	512029	2	Bushing	60x60
2	625000	1	Grease nipple	1/8"



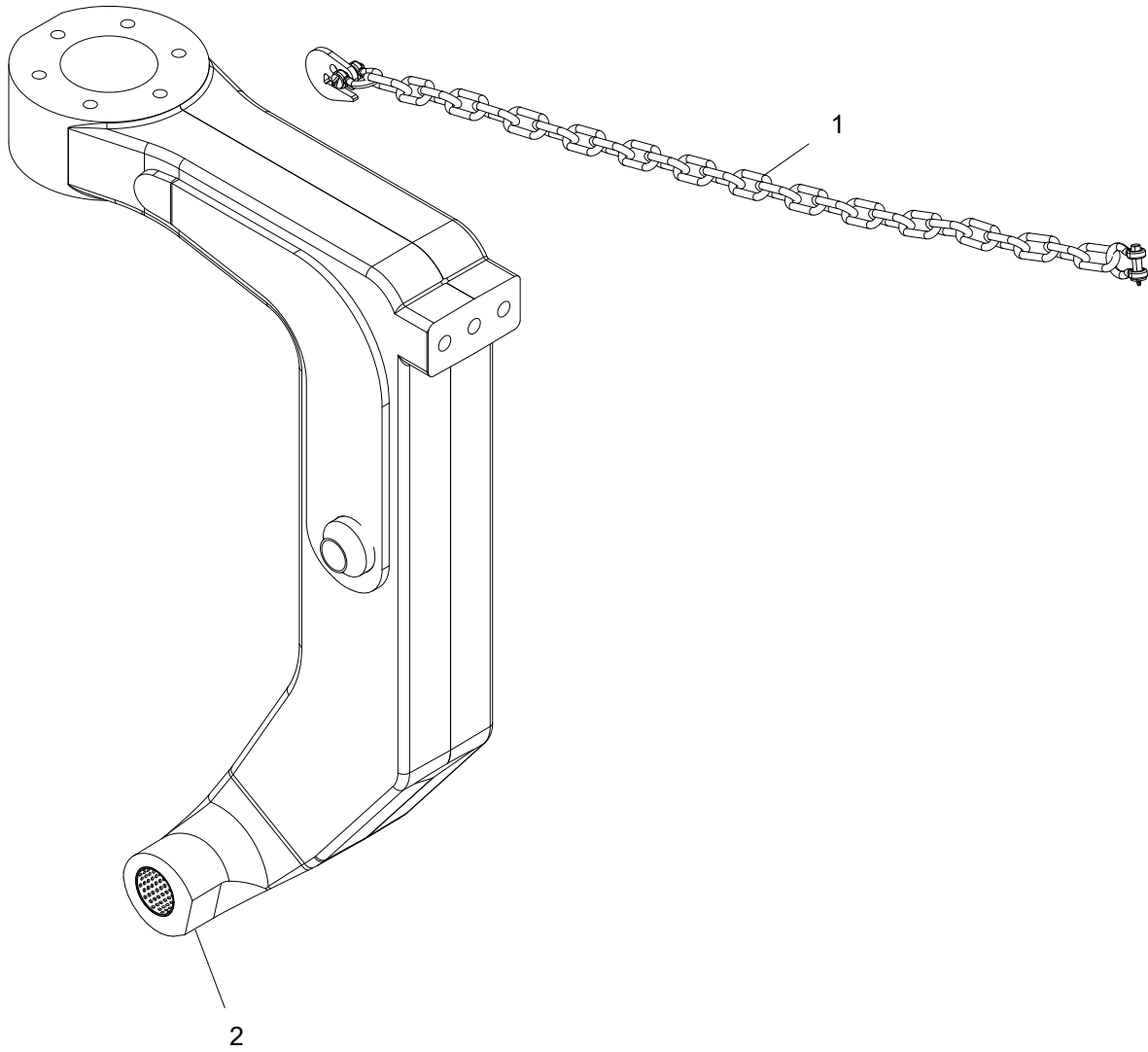
Felling link, reinforced

Structure 043539				
Pos.	Part no.	Quantity	Description	Specification
1	043527	1	Felling link	
2	523093	1	Safety chain	



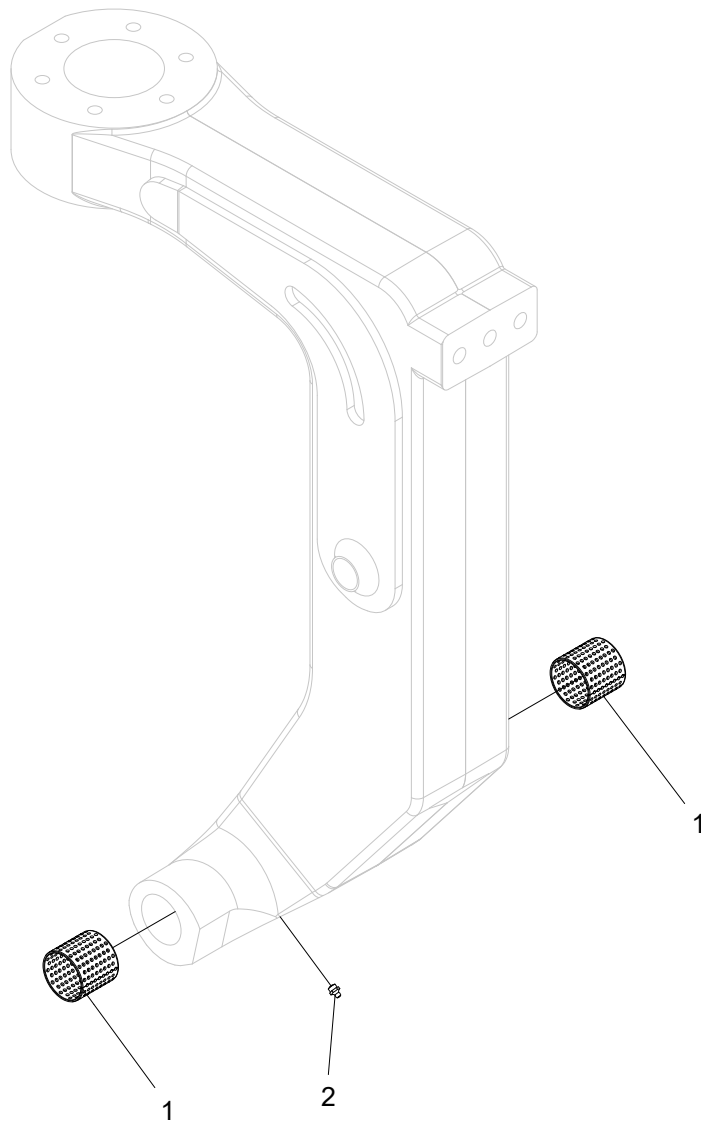
Felling link, reinforced

Structure 018631				
Pos.	Part no.	Quantity	Description	Specification
1	512029	2	Bushing	60x60
2	625000	1	Grease nipple	1/8"



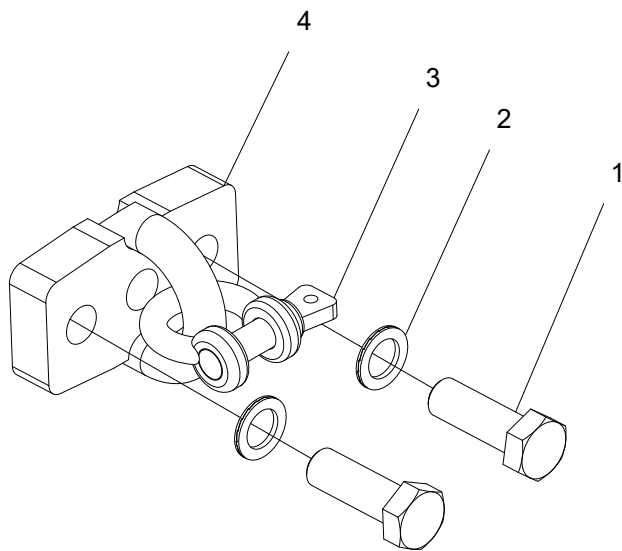
Felling link, molded

Structure 043541				
Pos.	Part no.	Quantity	Description	Specification
1	523093	1	Safety chain	
2	043540	1	Felling link	



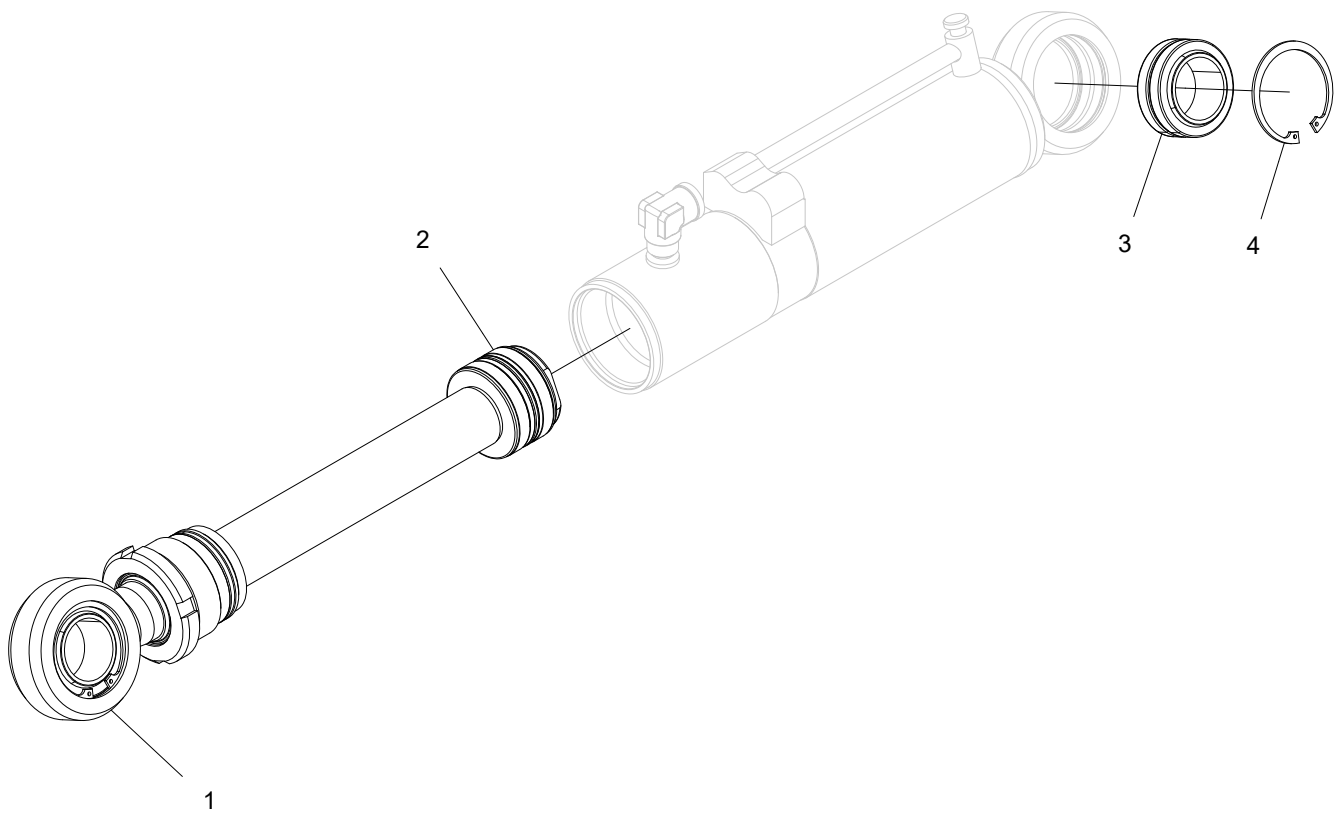
Felling link, molded

Structure 018706				
Pos.	Part no.	Quantity	Description	Specification
1	512029	2	Bushing	60x60
2	625000	1	Grease nipple	1/8"



Chain holder

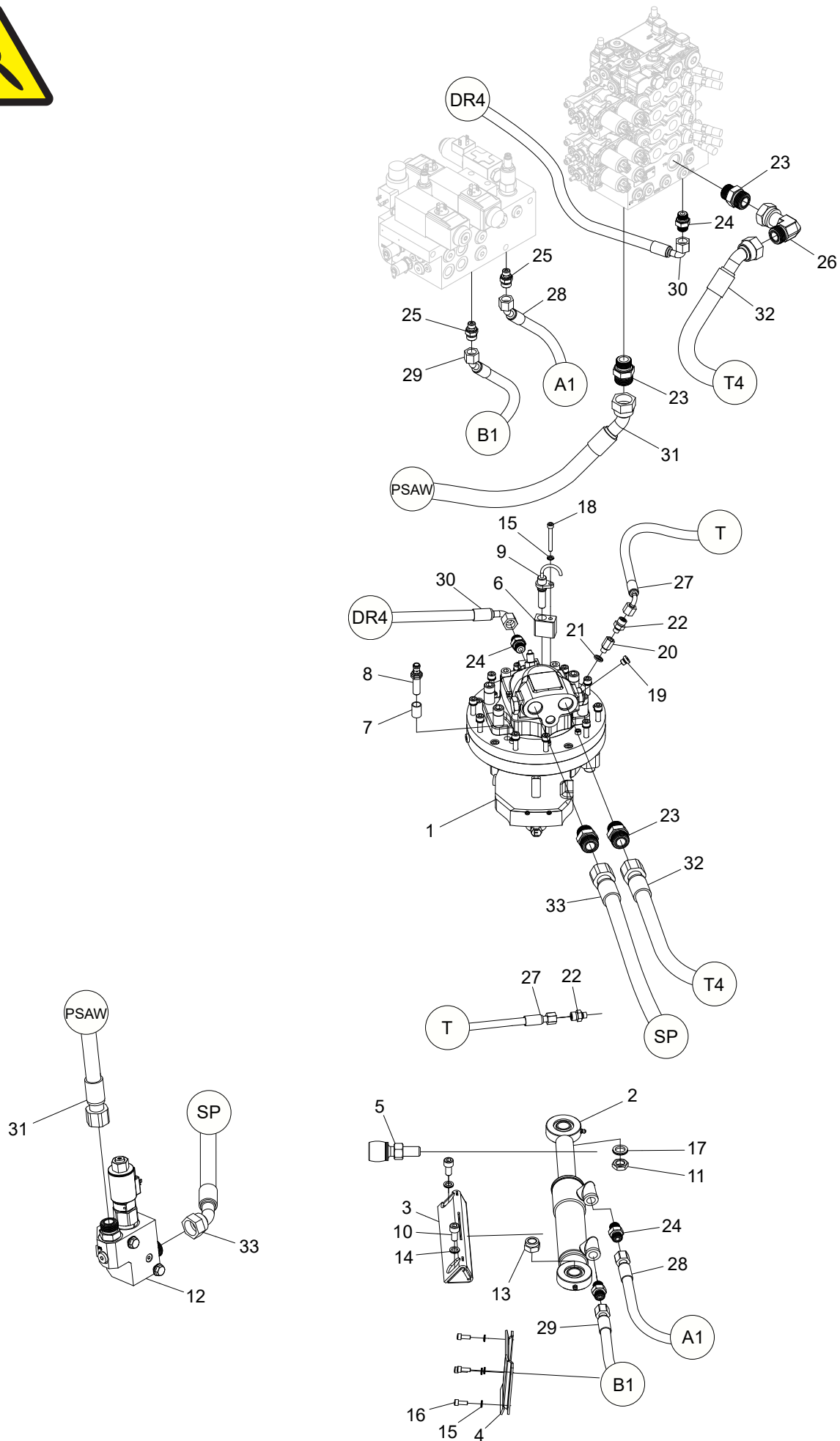
Structure 043543				
Pos.	Part no.	Quantity	Description	Specification
1	505058	2	Screw	M24x70 10.9
2	503072	2	Washer	NL24
3	523072	1	Shackle	
4	016227	1	Chain holder	



Hydraulic cylinder

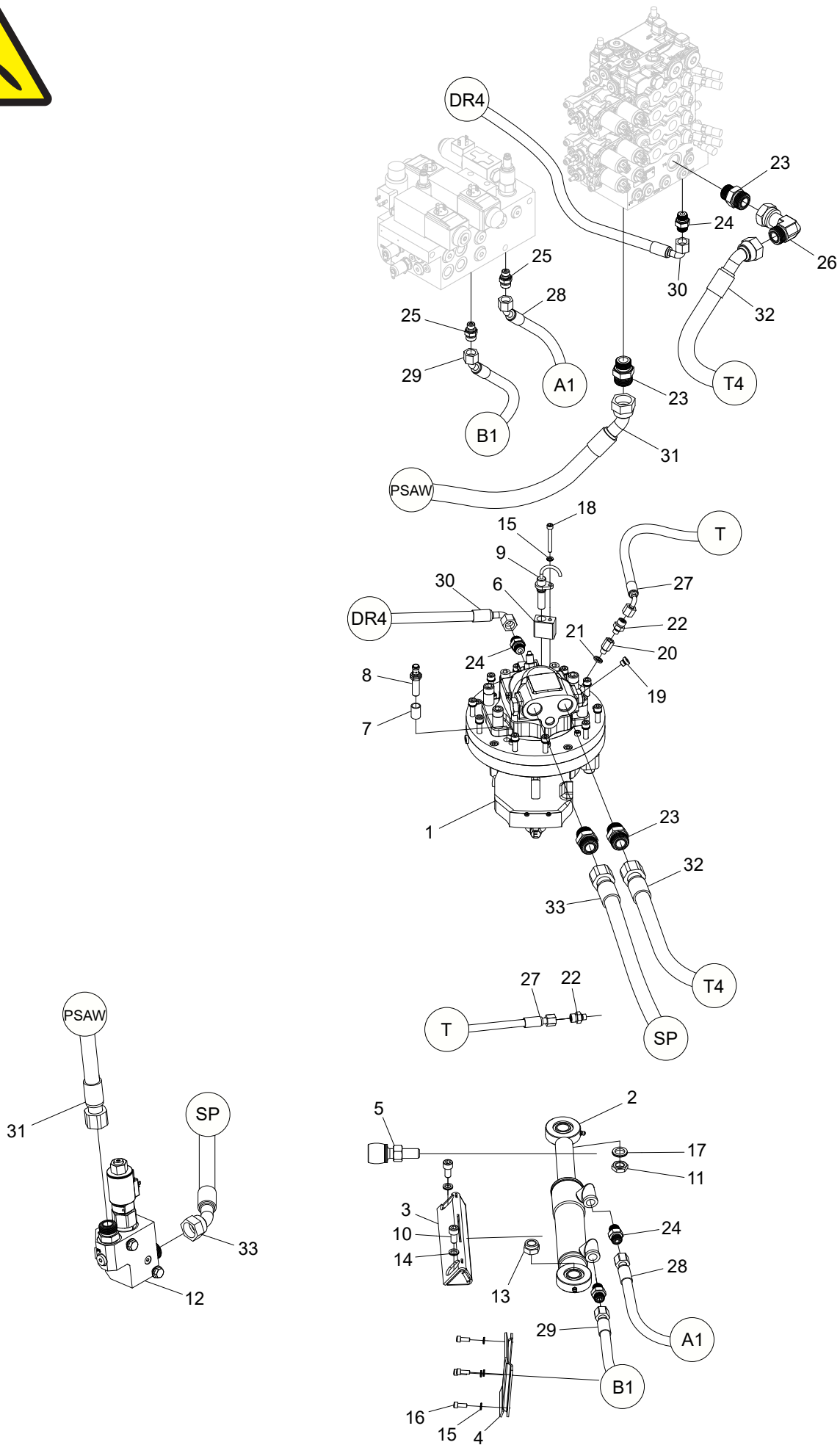
Structure 013765				
Pos.	Part no.	Quantity	Description	Specification
1	013794-KIT	1	Rod kit	
2	620085	1	Seal kit	
3	510010	1	Spherical bushing	
4	517252	1	Circlip	SGH 62

Saw unit

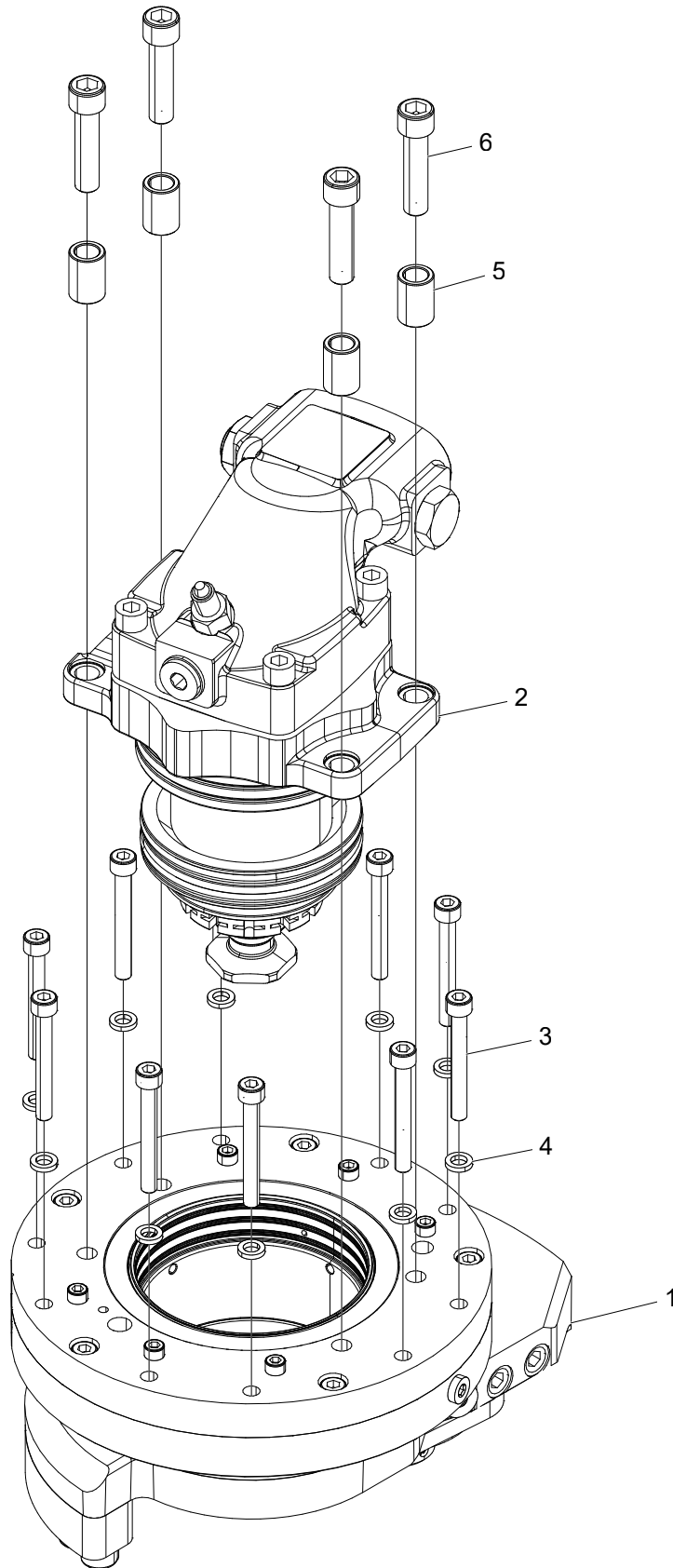


Hydraulics saw unit 218 F11-19

Structure 043570				
Pos.	Part no.	Quantity	Description	Specification
1	017975	1	Saw unit	218 F11-19
2	017909	1	Hydraulic cylinder	
3	016296	1	Cover	
4	017630	1	Hose cover	
5	10000361	1	Stop screw	
6	017905	1	Bracket	
7	017906	1	Spacer	
8	401318	1	Sensor	
9	K5081000	1	Sensor	
10	501087	2	Screw	M10x20 12.9
11	502706	1	Nut	M16 FZB
12	K005932- MONT	1	Manifold assembly	
13	502705	1	Nut	M16 10.9 FZB
14	503057	2	Washer	NL10
15	503065	5	Washer	NL6
16	501045	4	Screw	M6x16 12.9
17	503063	1	Washer	NL16
18	501053	1	Screw	M6x50 12.9
19	601000	1	Hex plug	1/8"
20	602083	1	Adapter	1/8"
21	601100	1	Bonded seal	1/8"
22	601749	2	Adapter	BSP 1/8"-9/16" ORFS
23	601762	4	Adapter	BSP 3/4"-1 3/16" ORFS
24	601754	4	Adapter	BSP 3/8"-11/16" ORFS
25	601752	2	Adapter	1/4" - ORFS -06
26	601730	1	Adapter	90 1,3/16" - 1.3/16" -12 ORFS
27	648078	1	Grease hose	
28	648079	1	Hydraulic hose	
29	648080	1	Hydraulic hose	
30	648081	1	Hydraulic hose	
31	648082	1	Hydraulic hose	
32	648083	1	Hydraulic hose	

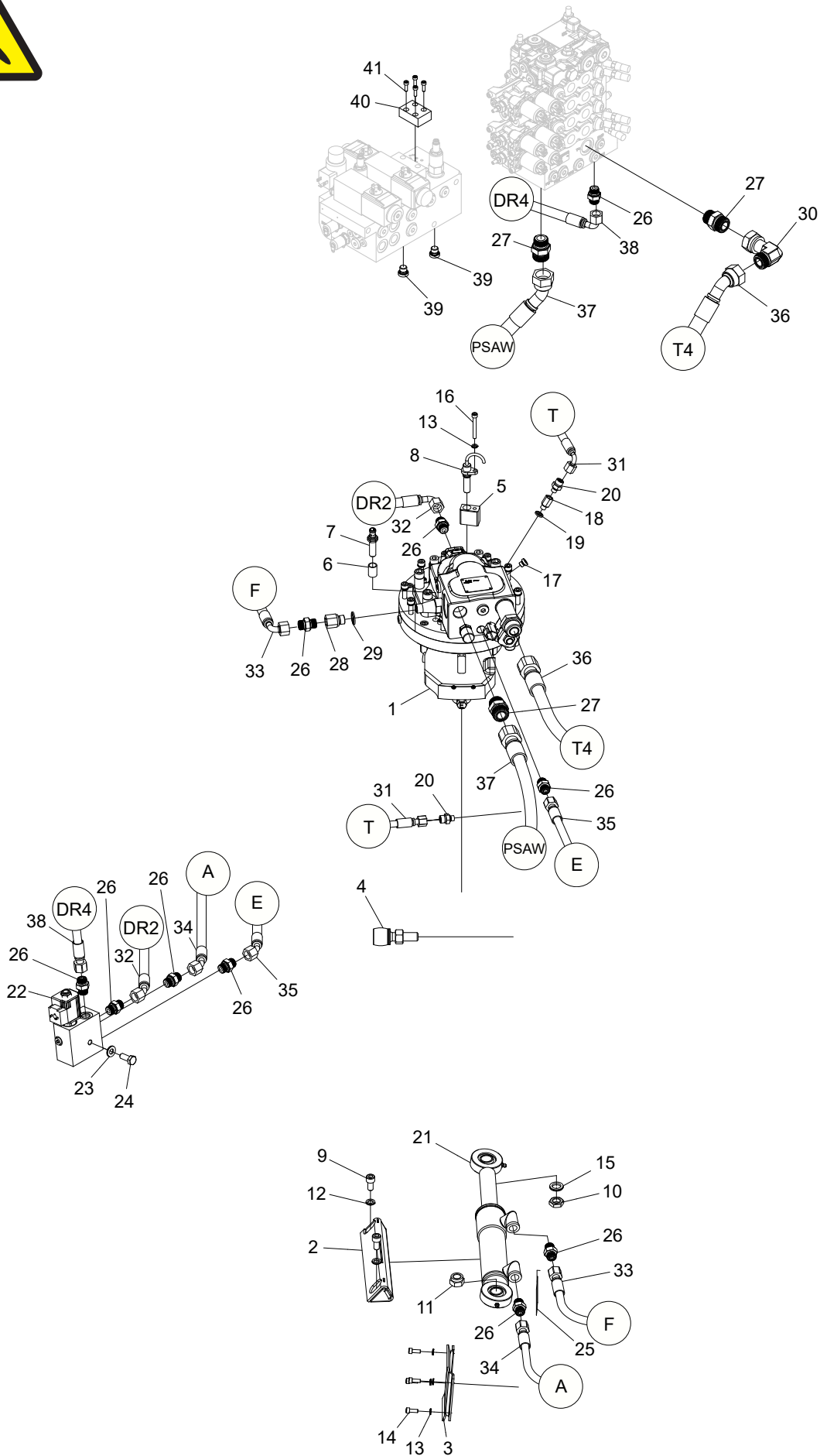


Structure 043570				
Pos.	Part no.	Quantity	Description	Specification
33	648084	1	Hydraulic hose	



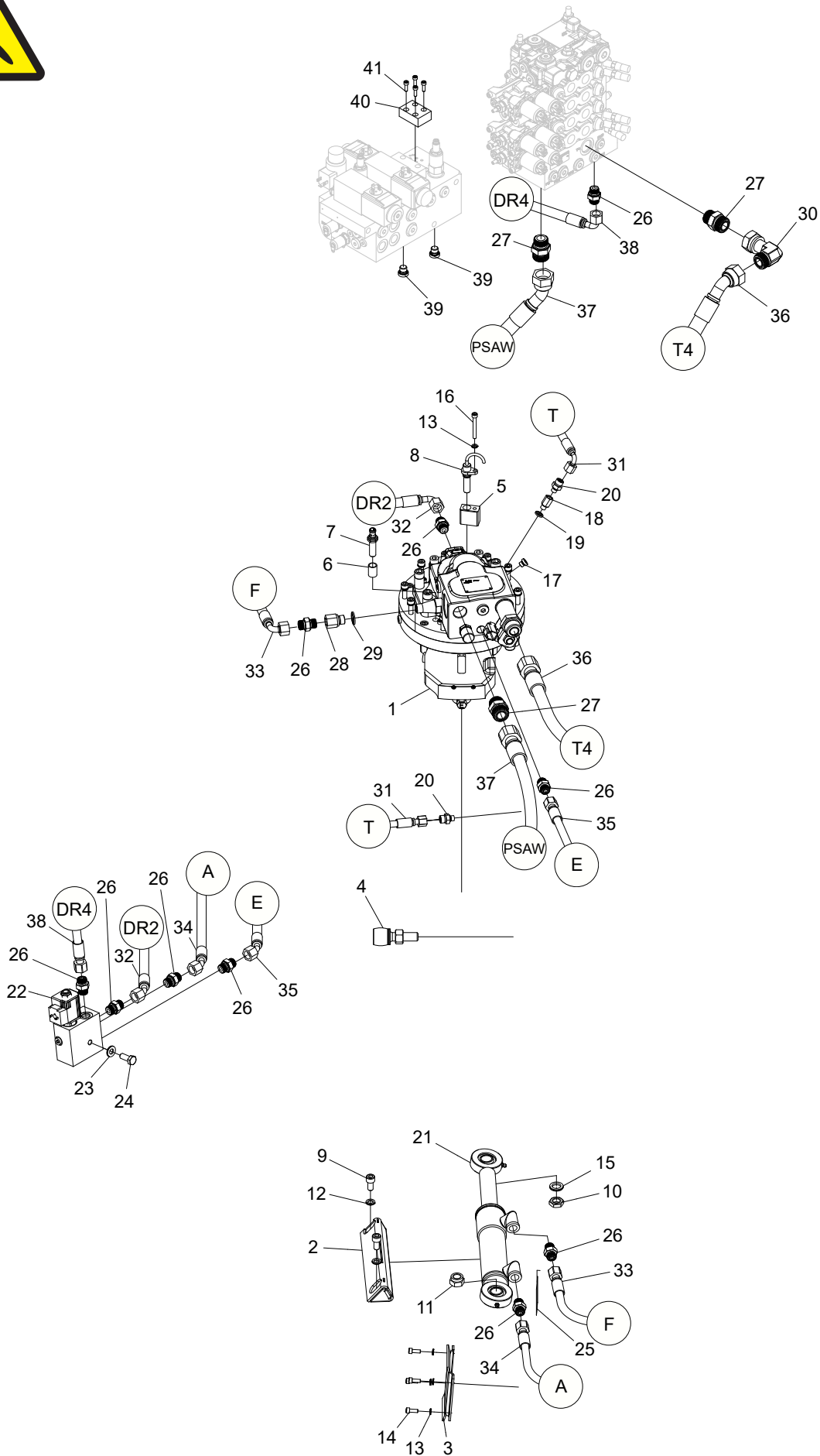
Saw unit 218 F11-19

Structure 017975				
Pos.	Part no.	Quantity	Description	Specification
1	017967	1	Saw unit	218
2	017972	1	Saw motor	F11-19
3	503055	10	Washer	NL8
4	501078	10	Screw	M8x65 12.9
5	018097	4	Spacer	
6	501113	4	Screw	M12x50 12.9

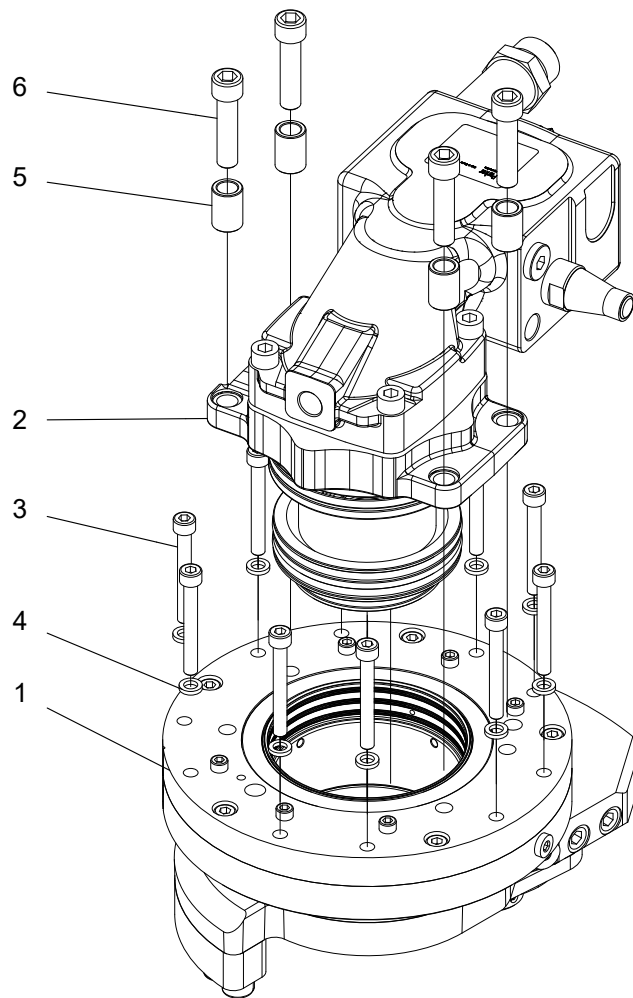


Hydraulics saw unit 218 True-Cut

Structure 043573				
Pos.	Part no.	Quantity	Description	Specification
1	018710	1	Saw unit	
2	016296	1	Cover	
3	017630	1	Cover	
4	10000361	1	Stop screw	
5	017905	1	Sleeve	
6	017906	1	Spacer	
7	401318	1	Sensor	
8	K5081000	1	Sensor	
9	501087	2	Screw	M10x20 12.9
10	502706	1	Nut	M16 FZB
11	502705	1	Nut	M16
12	503057	2	Washer	NL10
13	503065	5	Washer	NL6
14	501045	4	Screw	M6x16 12.9
15	503063	1	Washer	NL16
16	501053	1	Screw	M6x50 12.9
17	601000	1	Hex plug	1/8"
18	602083	1	Adapter	1/8"
19	601100	1	Bonded seal	1/8"
20	601749	2	Adapter	BSP 1/8" - 9/16" ORFS
21	017909	1	Hydraulic cylinder	
22	018216	1	Manifold	
23	503075	1	Washer	NL10 sp
24	500068	1	Screw	M10x25 8.8 FZB
25	519171	1	Decal	85x30 mm
26	601754	10	Adapter	BSP 3/8" - 11/16" ORFS
27	601762	3	Adapter	BSP 3/4" - 1.3/16" ORFS
28	602051	1	Adapter	3/8"
29	601102	1	Bonded seal	3/8"
30	601730	1	Adapter	1.3/16" - 1.3/16" -12 ORFS
31	648078	1	Grease hose	
32	648085	1	Hydraulic hose	
33	648086	1	Hydraulic hose	

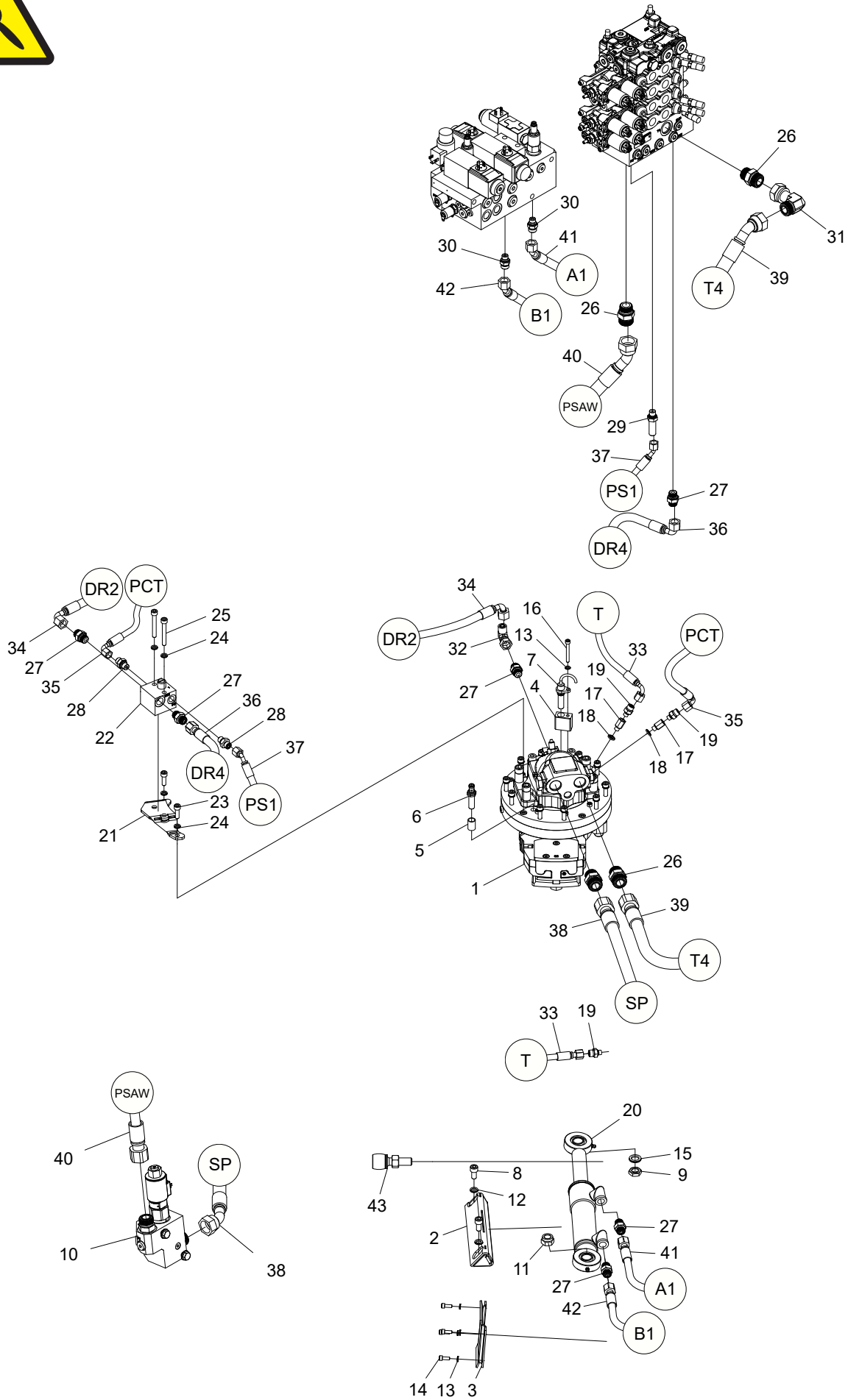


Structure				
Pos.	Part no.	Quantity	Description	Specification
34	648087	1	Hydraulic hose	
35	648088	1	Hydraulic hose	
36	648090	1	Hydraulic hose	
37	648091	1	Hydraulic hose	
38	648089	1	Hydraulic hose	
39	601001	2	Hex plug	1/4"
40	613038	1	Blanking plate	
41	501028	4	Screw	M5x16 12.9



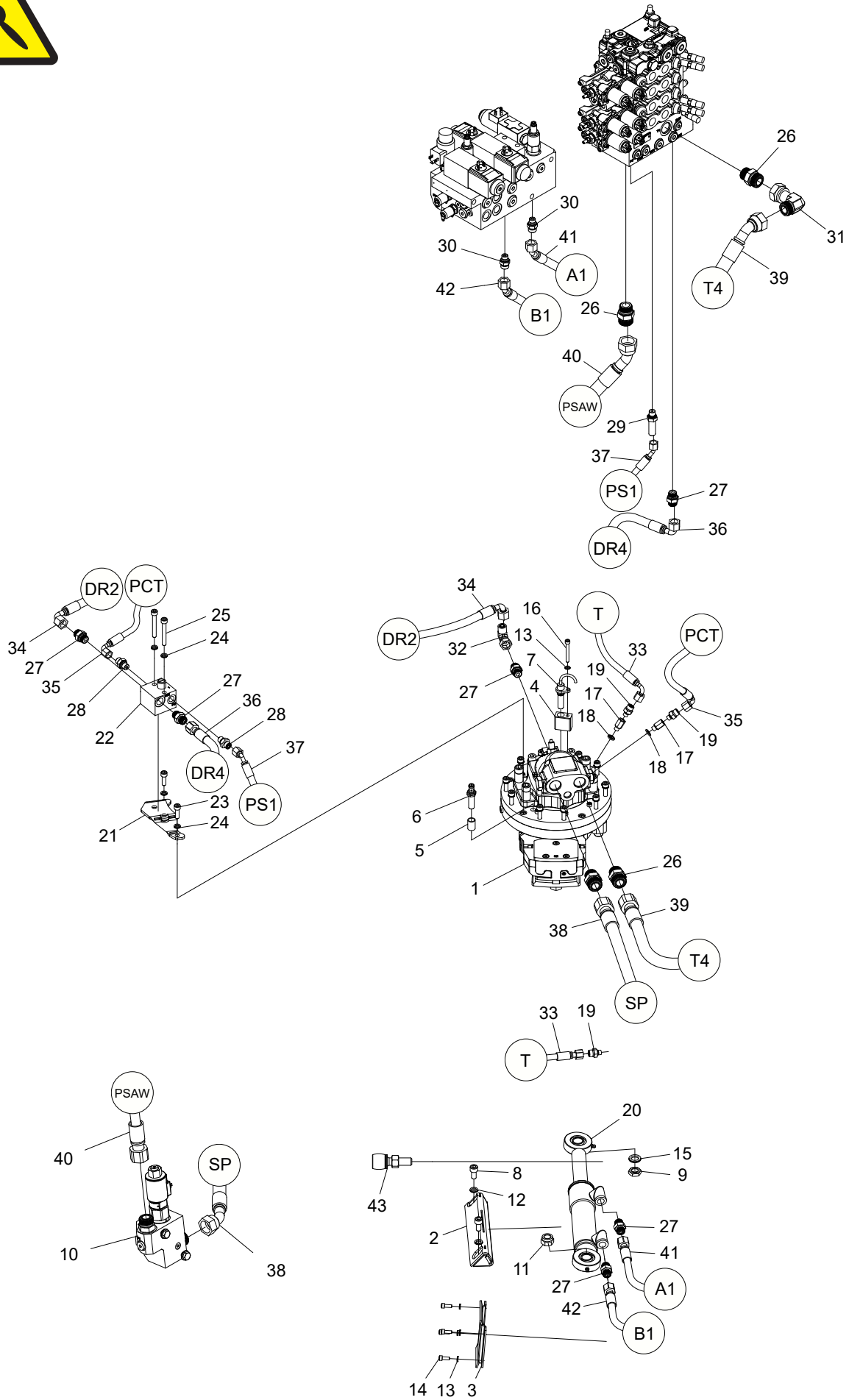
Saw unit 218 True-Cut

Structure 018710				
Pos.	Part no.	Quantity	Description	Specification
1	017967	1	Saw unit	218 True-Cut
2	018709	1	Saw motor	F11-19 True-Cut
3	501078	10	Screw	M8x65 12.9
4	503055	10	Washer	NL8
5	018097	4	Spacer	
6	501113	4	Screw	M12x50 12.9

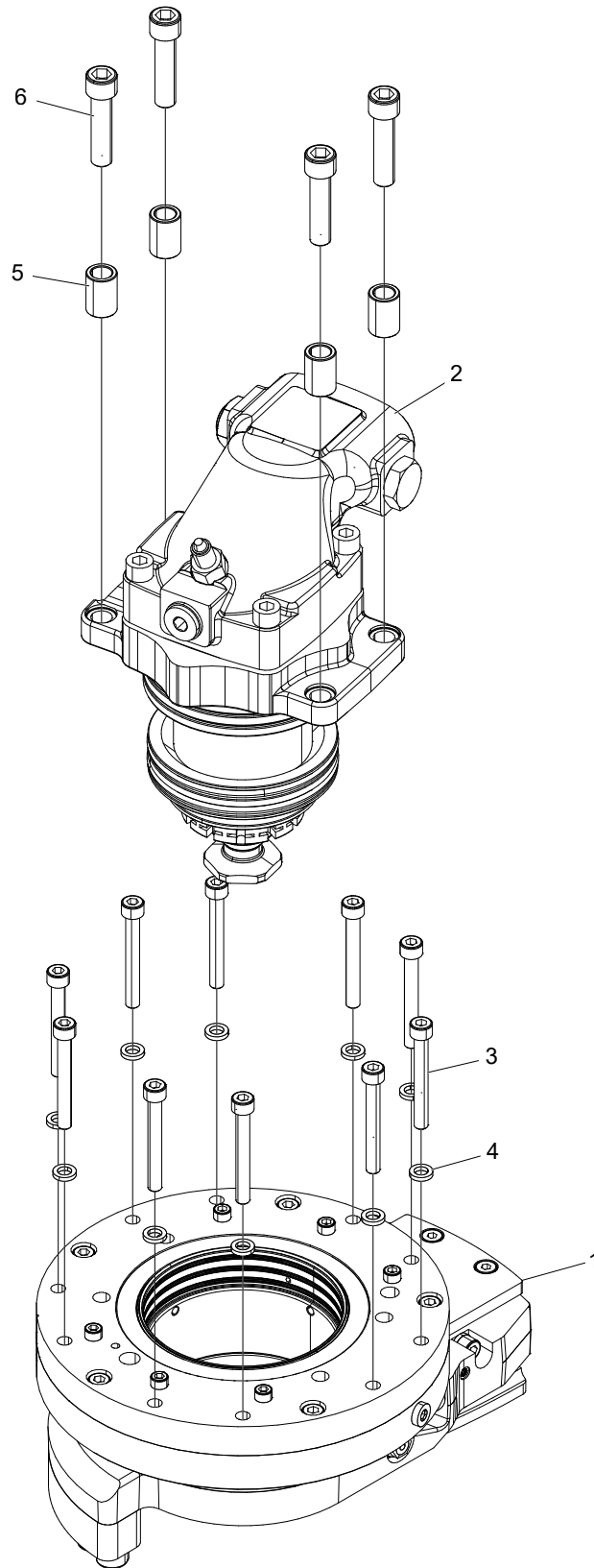


Hydraulics saw unit 318 F11-19

Structure 043571				
Pos.	Part no.	Quantity	Description	Specification
1	017977	1	Saw unit	
2	016296	1	Cover	
3	017630	1	Protection	
4	017905	1	Bracket	
5	017906	1	Spacer	
6	401318	1	Sensor	
7	K5081000	1	Sensor	
8	501087	2	Screw	M10x20 12.9
9	502706	1	Nut	M16 FZB
10	K005932- MONT	1	Manifold	
11	502705	1	Nut	M16
12	503057	2	Washer	NL10
13	503065	5	Washer	NL6
14	501045	4	Screw	M6x16 12.9
15	503063	1	Washer	NL16
16	501053	1	Screw	M6x50 12.9
17	602083	2	Adapter	1/8"
18	601100	2	Bonded seal	1/8"
19	601749	3	Adapter	BSP 1/8" - 9/16" ORFS
20	017909	1	Hydraulic cylinder	
21	017791	1	Bracket	
22	017617	1	Manifold	
23	501070	2	Screw	M8x25 12.9
24	503055	4	Washer	NL8
25	501077	2	Screw	M8x60 12.9
26	601762	4	Adapter	BSP 3/4" - 1.3/16" ORFS
27	601754	6	Adapter	BSP 3/8" - 11/16" ORFS
28	601750	2	Adapter	BSP 1/4" - 9/16" ORFS
29	601751	1	Adapter	BSP 1/4" - 9/16" ORFS
30	601752	2	Adapter	1/4" - ORFS -06
31	601730	1	Adapter	1.3/16" - 1.3/16" -12 ORFS
32	601726	1	Adapter	11/16" - 11/16" -16 ORFS

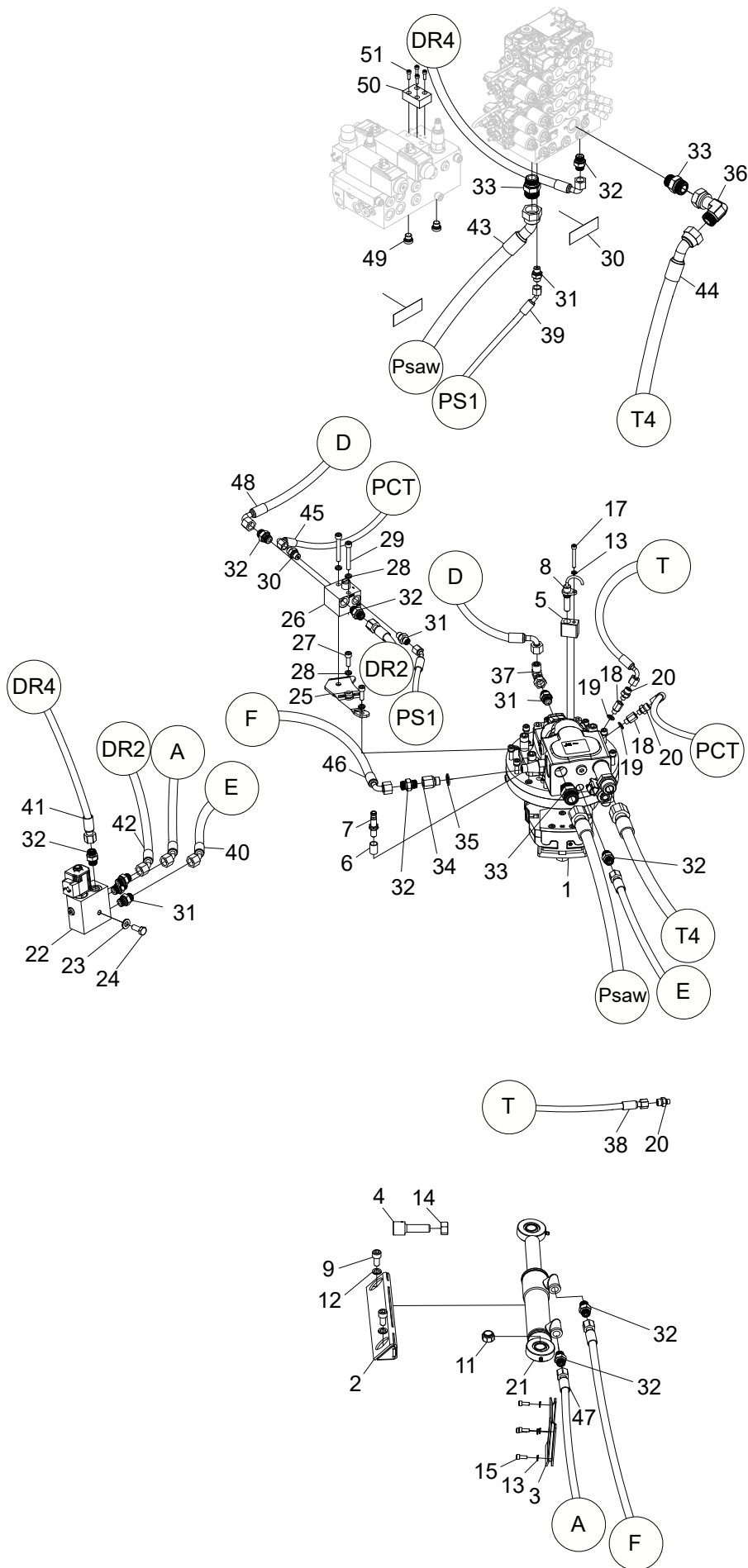


Structure				
Pos.	Part no.	Quantity	Description	Specification
33	648078	1	Grease hose	
34	648092	1	Hydraulic hose	
35	648093	1	Hydraulic hose	
36	648094	1	Hydraulic hose	
37	648095	1	Hydraulic hose	
38	648096	1	Hydraulic hose	
39	648097	1	Hydraulic hose	
40	648098	1	Hydraulic hose	
41	648079	1	Hydraulic hose	
42	648080	1	Hydraulic hose	
43	10000361	1	Mechanical stop	



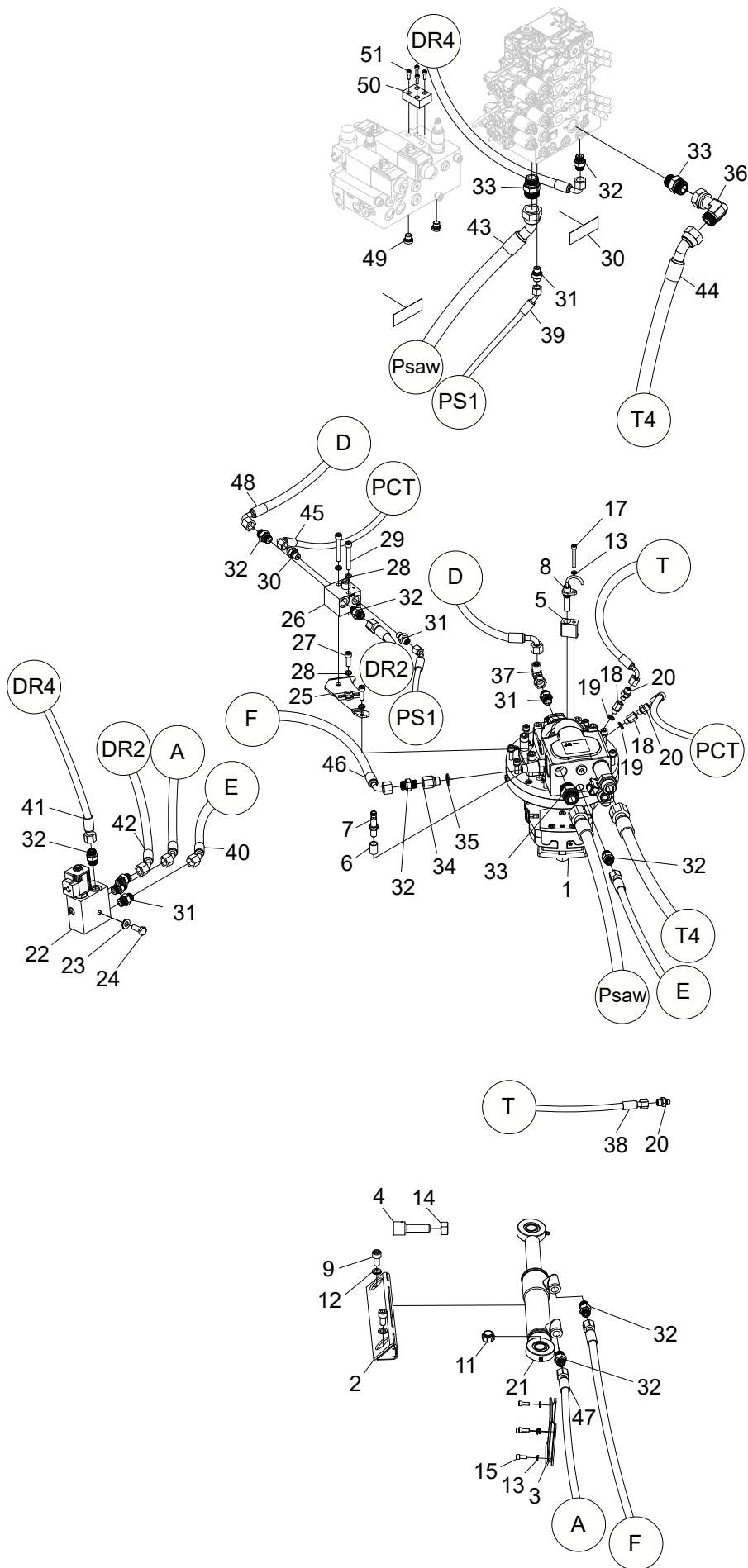
Saw unit 318 F11-19

Structure 017977				
Pos.	Part no.	Quantity	Description	Specification
1	017968	1	Saw unit	318
2	017972	1	Saw motor	F11-19
3	501078	10	Screw	M8x65 12.9
4	503055	10	Washer	NL8
5	018097	4	Spacer	
6	501113	4	Screw	M12x50 12.9

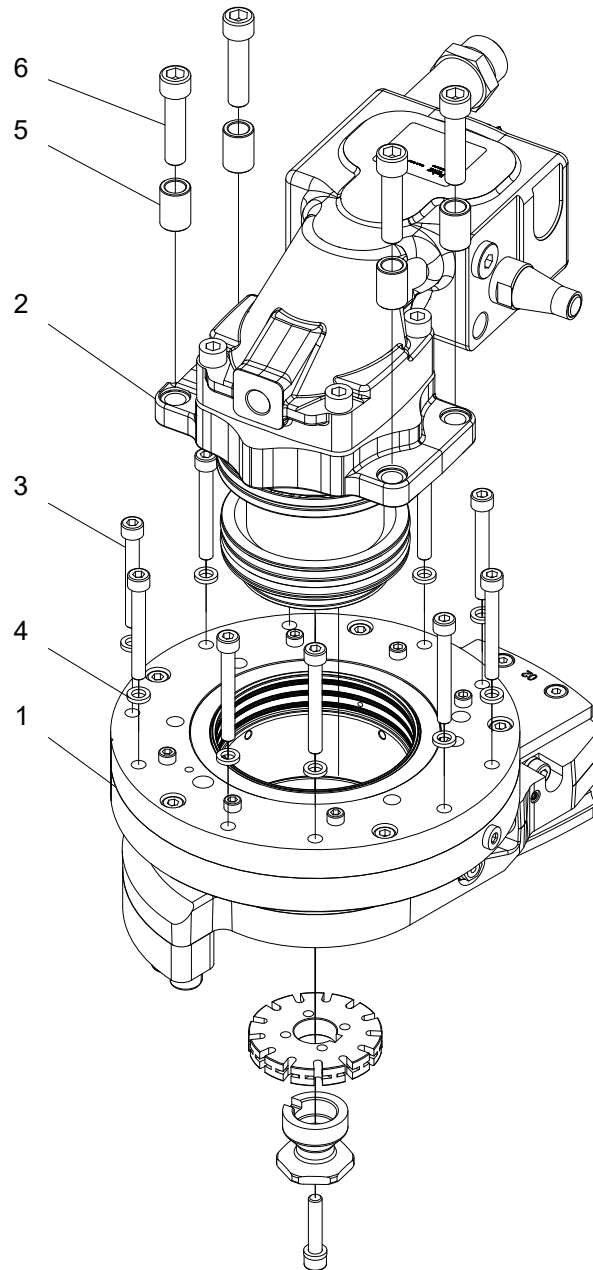


Hydraulics saw unit 318 True-Cut

Structure 043574				
Pos.	Part no.	Quantity	Description	Specification
1	018711	1	Saw unit	318 True-Cut
2	016296	1	Cover	
3	017630	1	Hose cover	
4	017900	1	Stop screw	
5	017905	1	Bracket	
6	017906	1	Spacer	
7	401318	1	Sensor	
8	K5081000	1	Sensor	
9	501087	2	Screw	M10x20 12.9
10	502706	1	Nut	M16 FZB
11	502705	1	Nut	M16 10.9 FZB
12	503057	2	Washer	NL10
13	503065	5	Washer	NL6
14	502717	1	Nut	M16x1,5 FZB
15	501045	4	Screw	M6x16 12.9
16	503063	1	Washer	NL16
17	501053	1	Screw	M6x50 12.9
18	602083	2	Adapter	1/8"
19	601100	2	Bonded seal	1/8"
20	601749	3	Adapter	BSP 1/8"-9/16" ORFS
21	017909	1	Hydraulic cylinder	
22	018216	1	Manifold	
23	503075	1	Washer	NL10 sp
24	500068	1	Screw	M10x25 8.8 FZB
25	017791	1	Bracket	
26	017617	1	Manifold	
27	501070	2	Screw	M8x25
28	503055	4	Washer	NL8
29	501077	2	Screw	M8x60 12.9
30	519171	1	Decal	
31	601750	2	Adapter	BSP 1/4"-9/16" ORFS
32	601754	12	Adapter	BSP 3/8"-11/16" ORFS
33	601762	3	Adapter	BSP 3/4"-1 3/16" ORFS

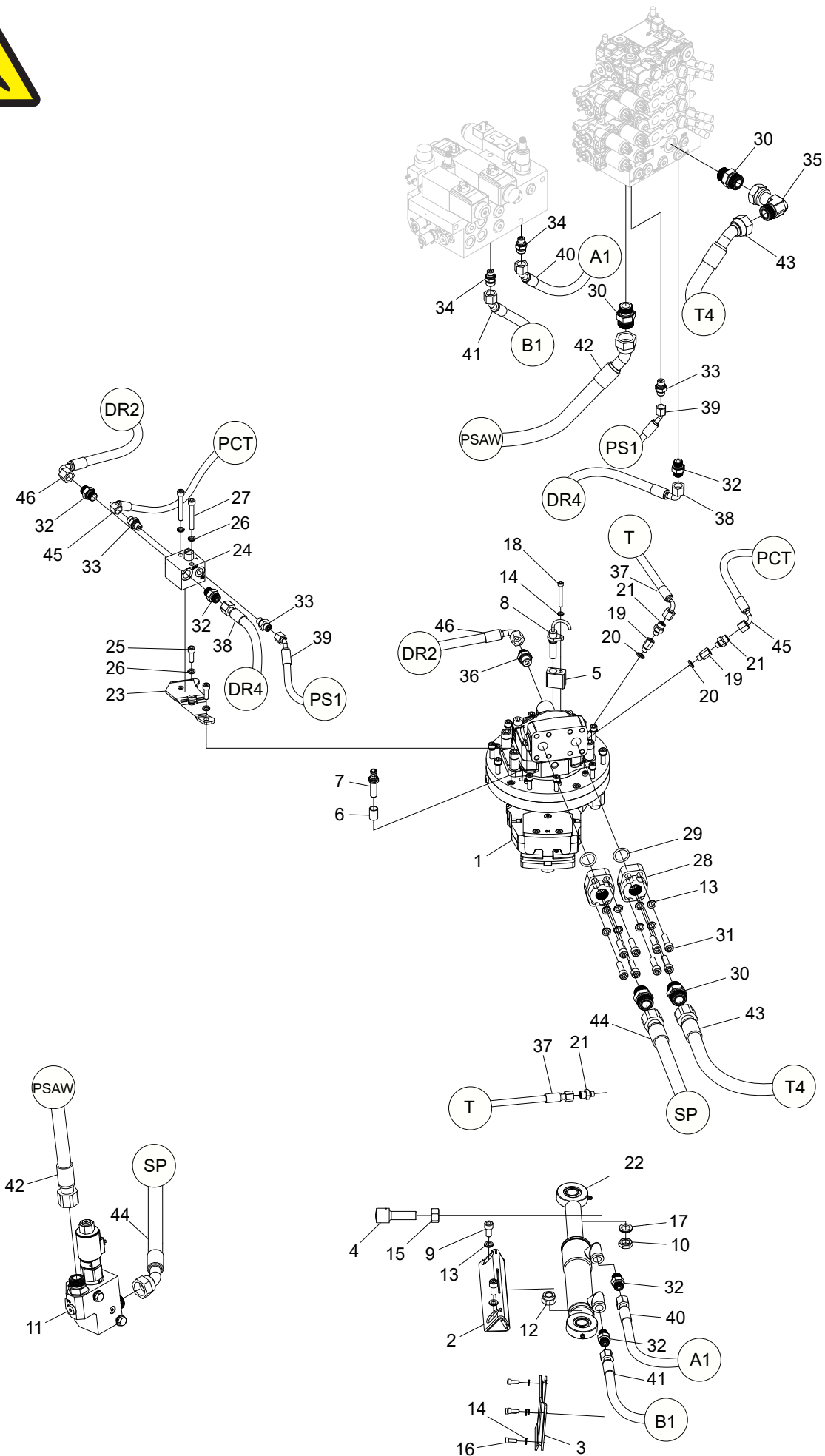


Structure 043574				
Pos.	Part no.	Quantity	Description	Specification
34	602051	1	Adapter	3/8"
35	601102	1	Bonded seal	3/8"
36	601730	1	Adapter	1 3/16"
37	601726	1	Adapter	11/16"
38	648078	1	Grease hose	
39	648095	1	Hydraulic hose	
40	648088	1	Hydraulic hose	
41	648089	1	Hydraulic hose	
42	648099	1	Hydraulic hose	
43	648091	1	Hydraulic hose	
44	648090	1	Hydraulic hose	
45	648093	1	Hydraulic hose	
46	648086	1	Hydraulic hose	
47	648087	1	Hydraulic hose	
48	648092	1	Hydraulic hose	
49	601001	2	Hex plug	1/4"
50	613038	1	Plate	
51	501028	4	Screw	M5x16 12.9



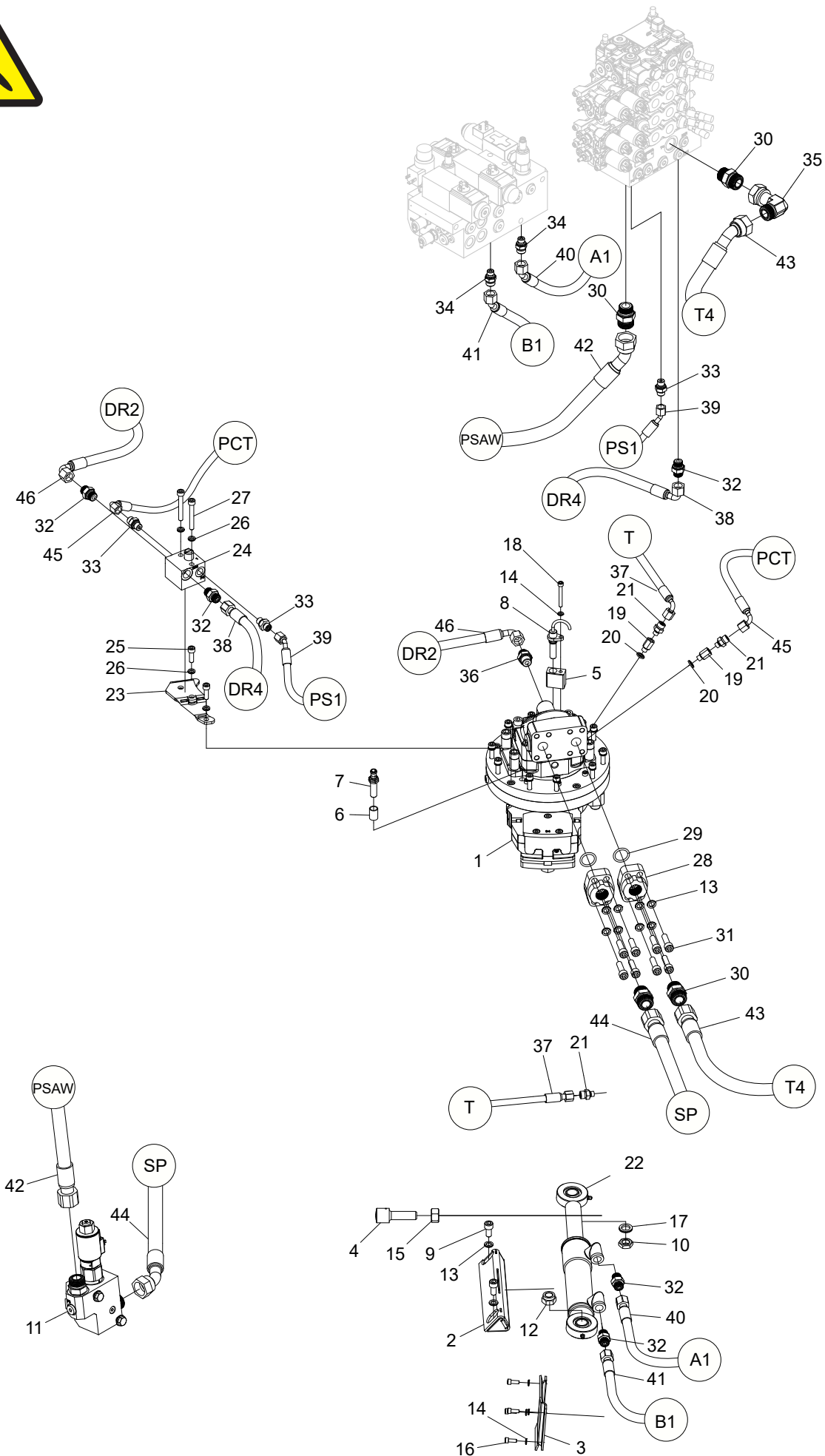
Saw unit 318 True-Cut

Structure 018711				
Pos.	Part no.	Quantity	Description	Specification
1	017968	1	Saw unit	318-02
2	018709	1	Saw motor	F11-19 True-Cut
3	501078	10	Screw	M8x65 12.9
4	503055	10	Washer	NL8
5	018097	4	Spacer	
6	501113	4	Screw	M12x50 12.9

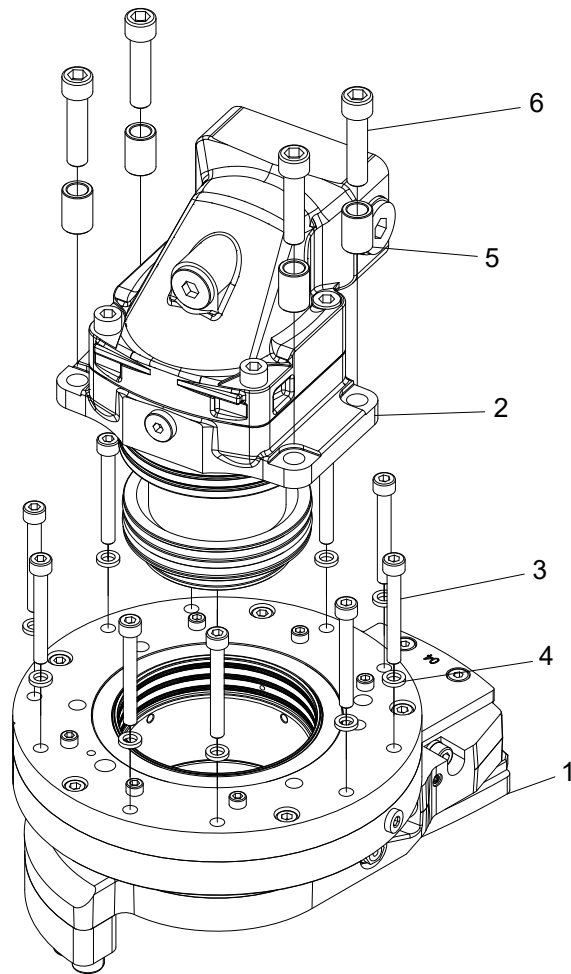


Hydraulics saw unit 318 F12-30

Structure 043572				
Pos.	Part no.	Quantity	Description	Specification
1	017979	1	Saw unit	318 F12-30
2	016296	1	Cover	
3	017630	1	Hose cover	
4	017900	1	Stop screw	
5	017905	1	Bracket	
6	017906	1	Spacer	
7	401220	1	Sensor	
8	K5081000	1	Sensor	
9	501087	2	Screw	M10x20 12.9
10	502706	1	Nut	M16 FZB
11	K005932- MONT	1	Manifold assembly	
12	502705	1	Nut	M16 10.9 FZB
13	503057	10	Washer	NL10
14	503065	5	Washer	NL6
15	502717	1	Nut	M16x1,5 FZB
16	501045	4	Screw	M6x16 12.9
17	503063	1	Washer	NL16
18	501053	1	Screw	M6x50 12.9
19	602083	2	Adapter	1/8"
20	601100	2	Bonded seal	1/8"
21	601749	3	Adapter	BSP 1/8"-9/16" ORFS
22	017909	1	Hydraulic cylinder	
23	017791	1	Bracket	
24	017617	1	Manifold	
25	501070	2	Screw	M8x25
26	503055	4	Washer	NL8
27	501077	2	Screw	M8x60 12.9
28	601378	2	Threaded flange	3/4"
29	543170	2	O-ring	3/4"
30	601762	4	Adapter	BSP 3/4"-1 3/16" ORFS
31	501091	8	Screw	M10x35 12.9
32	601754	5	Adapter	BSP 3/8"-11/16" ORFS

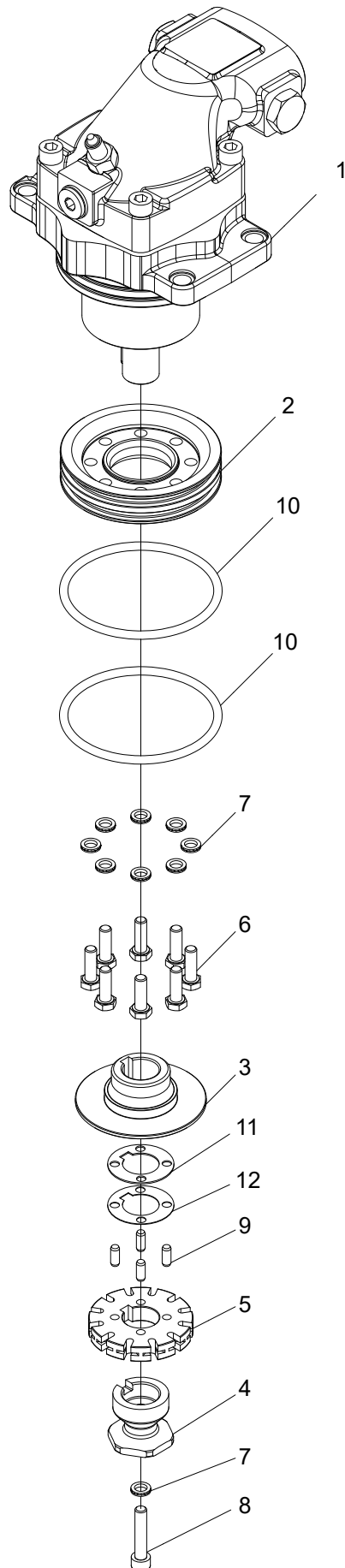


Structure 043572				
Pos.	Part no.	Quantity	Description	Specification
33	601750	3	Adapter	BSP 1/4"-9/16" ORFS
34	601752	2	Adapter	BSP 1/4"-11/16" ORFS
35	601730	1	Adapter	90 1,3/16" - 1,3/16"-12 ORFS
36	601748	1	Adapter	ORFS -06
37	648078	1	Hydraulic hose	
38	648094	1	Hydraulic hose	
39	648095	1	Hydraulic hose	
40	648079	1	Hydraulic hose	
41	648080	1	Hydraulic hose	
42	648098	1	Hydraulic hose	
43	648100	1	Hydraulic hose	
44	648101	1	Hydraulic hose	
45	648093	1	Hydraulic hose	
46	648102	1	Hydraulic hose	



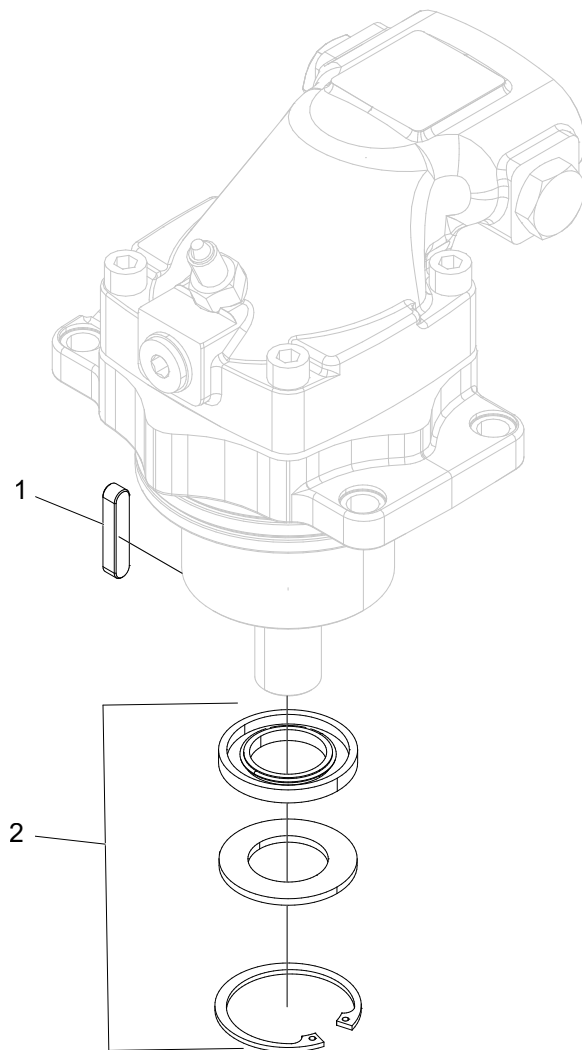
Saw unit 318 F12-30

Structure 017979				
Pos.	Part no.	Quantity	Description	Specification
1	017969	1	Saw unit	318-04
2	017974	1	Saw motor	F12-30
3	501078	10	Screw	M8x65 12.9
4	503055	10	Washer	NL8
5	018097	4	Spacer	
6	501113	4	Screw	M12x50 12.9



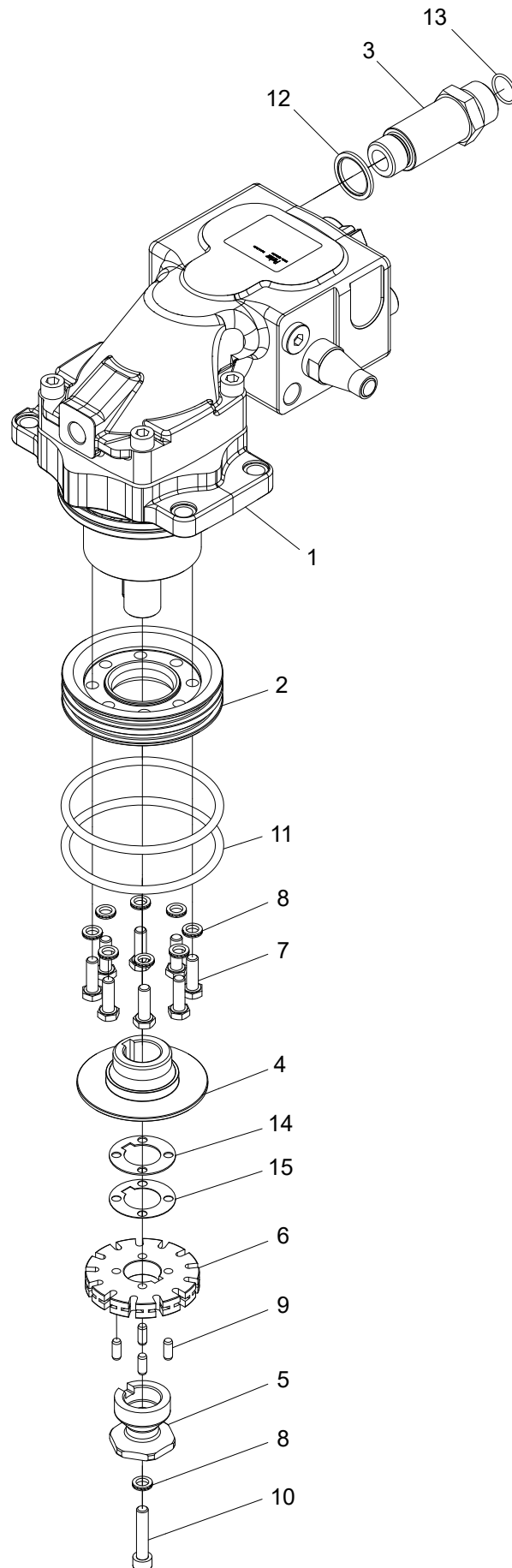
Saw motor F11-19, assembly

Structure 017972				
Pos.	Part no.	Quantity	Description	Specification
1	609108	1	Saw motor	F11-19
2	017904	1	Seal retainer	
3	017896	1	Sprocket carrier	
4	017897	1	Chain catcher	
5	549103	1	Sprocket	Z12
6	500045	8	Screw	M8x25 8.8 FZB
7	503055	9	Washer	NL8
8	501073	1	Screw	M8x40 12.9
9	515032	4	Cylindrical pin	Ø6x16
10	543062	2	O-ring	99,1x5,7
11	549211	1	Shim	25x1,0
12	549210	1	Shim	25x0,5



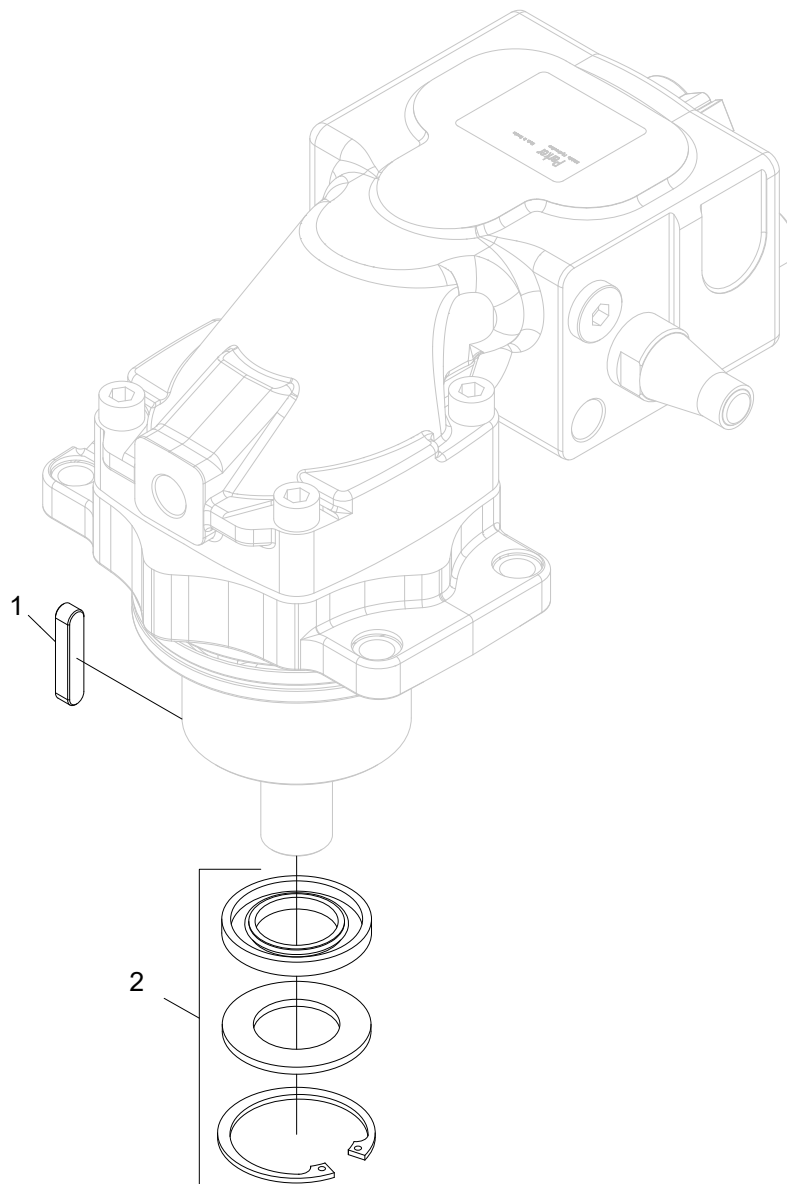
Saw motor F11-19

Structure 609108				
Pos.	Part no.	Quantity	Description	Specification
1	554077	1	Spline	
2	554232	1	Seal kit	



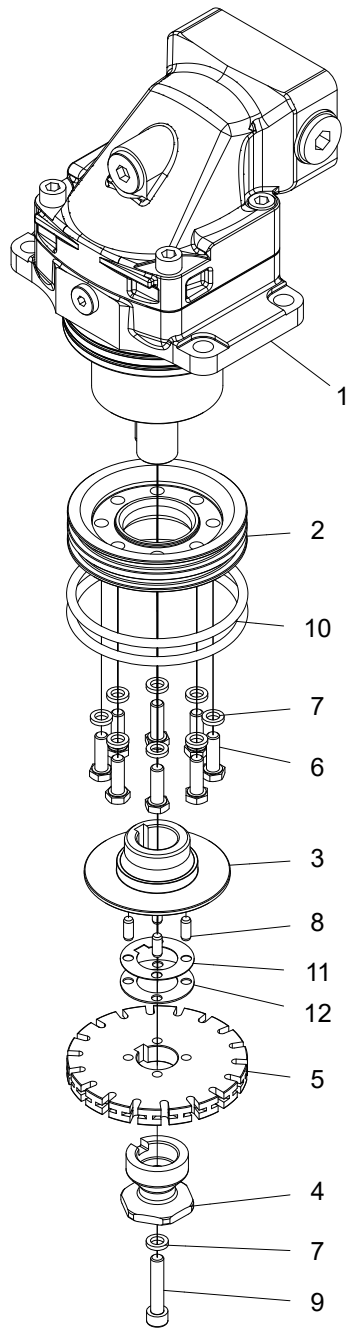
Saw motor True-Cut, assembly

Structure 018709				
Pos.	Part no.	Quantity	Description	Specification
1	609129	1	Saw motor	F11-19 True-Cut
2	017904	1	Seal retainer	
3	017907	1	Adapter	3/4"-1 3/16"
4	017896	1	Sprocket carrier	
5	017897	1	Chain catcher	
6	549105	1	Sprocket	Z13
7	500045	8	Screw	M8x25 8.8 FZB
8	503055	9	Washer	NL8
9	515032	4	Cylindrical pin	Ø6x16
10	501073	1	Screw	M8x40 12.9
11	543062	2	O-ring	99,1x5,7
12	601104	1	Bonded seal	3/4"
13	543165	1	O-ring	18,77x1,78
14	549211	1	Shim	25x1,0
15	549210	1	Shim	25x0,5



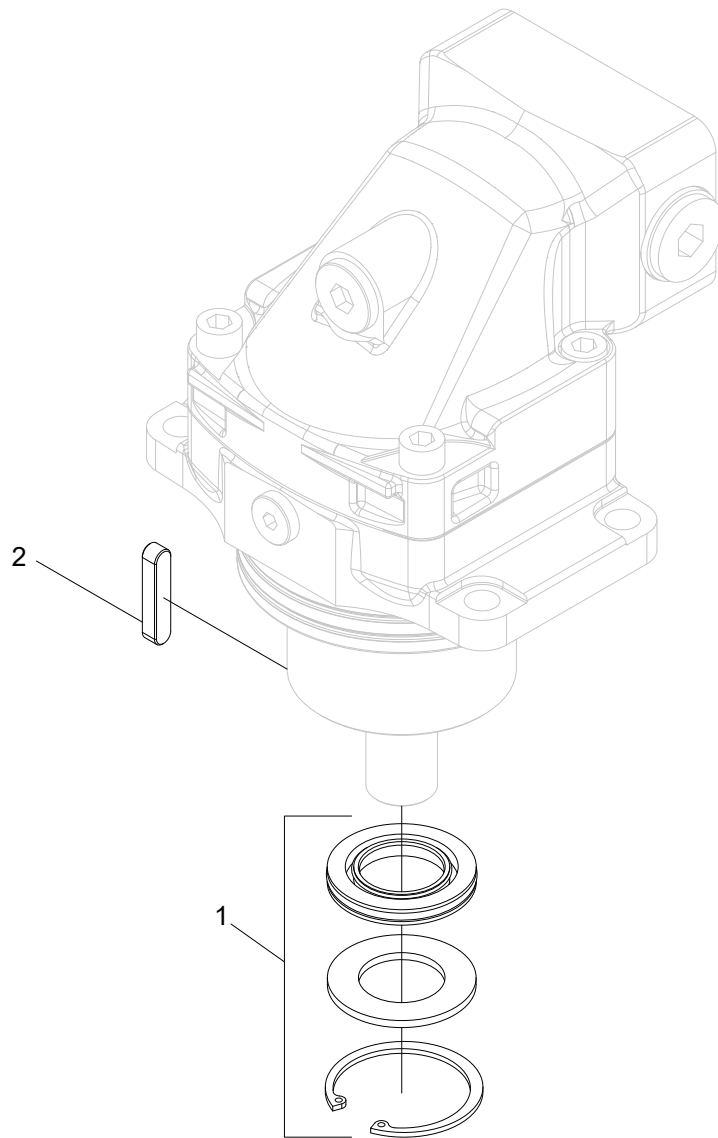
Saw motor True-Cut

Structure 609129				
Pos.	Part no.	Quantity	Description	Specification
1	554077	1	Spline	
2	554232	1	Seal kit	



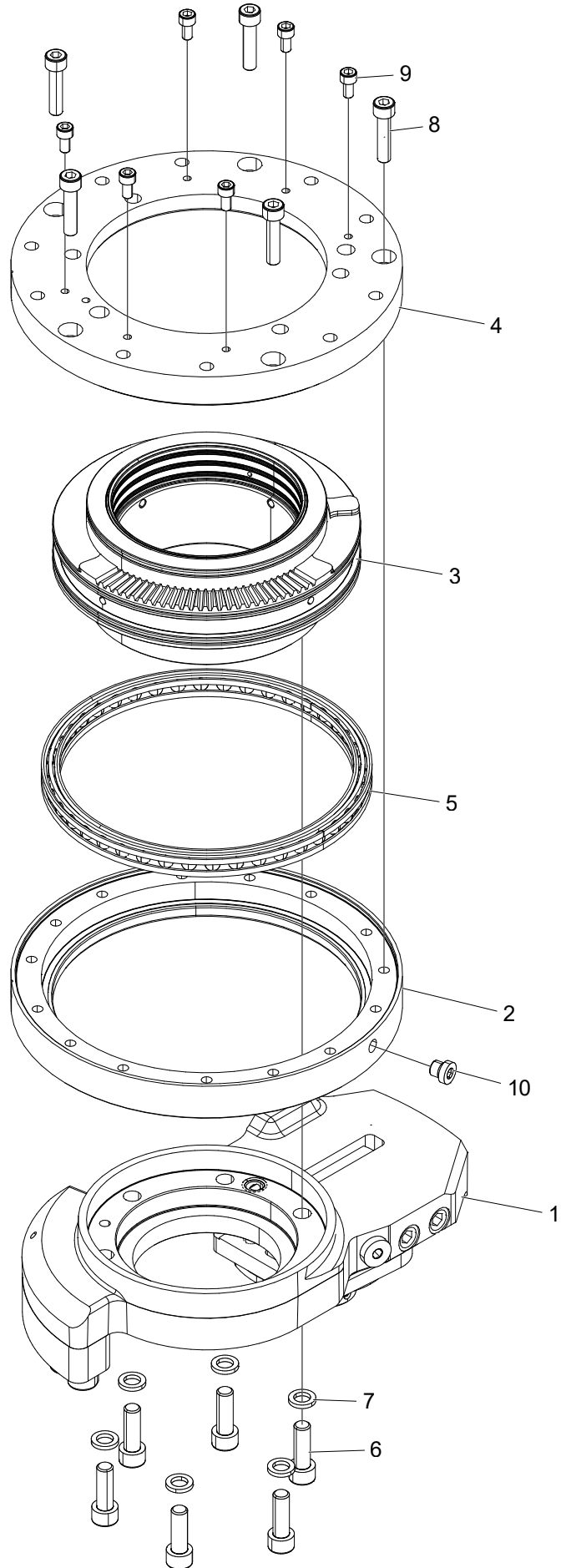
Saw motor F12-30, assembly

Structure 017974				
Pos.	Part no.	Quantity	Description	Specification
1	609125	1	Saw motor	F12-30
2	017904	1	Seal retainer	
3	017896	1	Sprocket carrier	
4	017897	1	Chain catcher	
5	549123	1	Sprocket	Z18
6	500045	8	Screw	M8x25 8.8 FZB
7	503055	9	Washer	NL8
8	515032	4	Cylindrical pin	Ø6x16
9	501073	1	Screw	M8x40 12.9
10	543062	2	O-ring	99,1x5,7
11	549210	1	Shim	25x0,5
12	549211	1	Shim	25x1,0



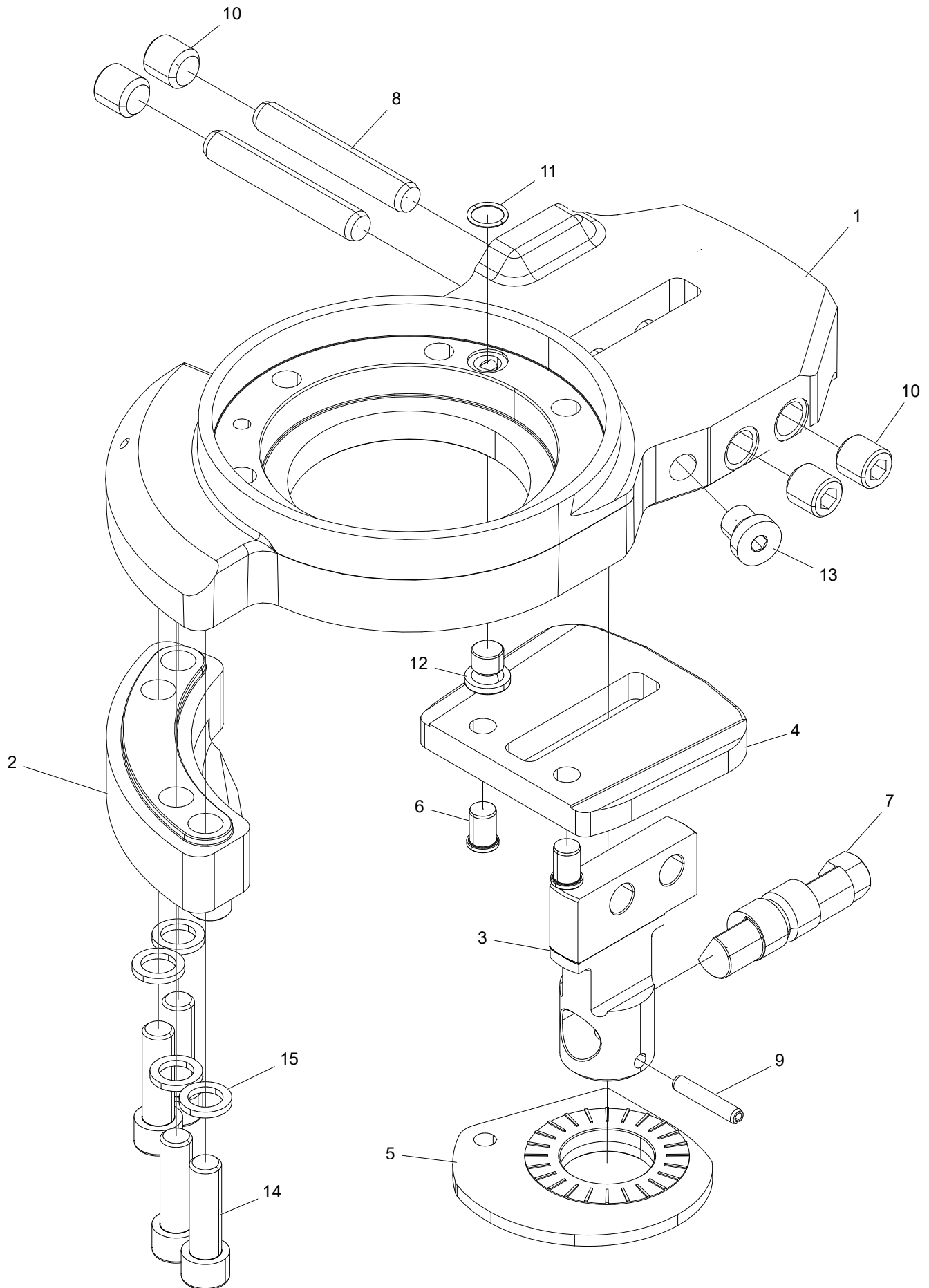
Saw motor F12-30

Structure 609125				
Pos.	Part no.	Quantity	Description	Specification
1	554283	1	Seal kit	
2	554077	1	Spline	



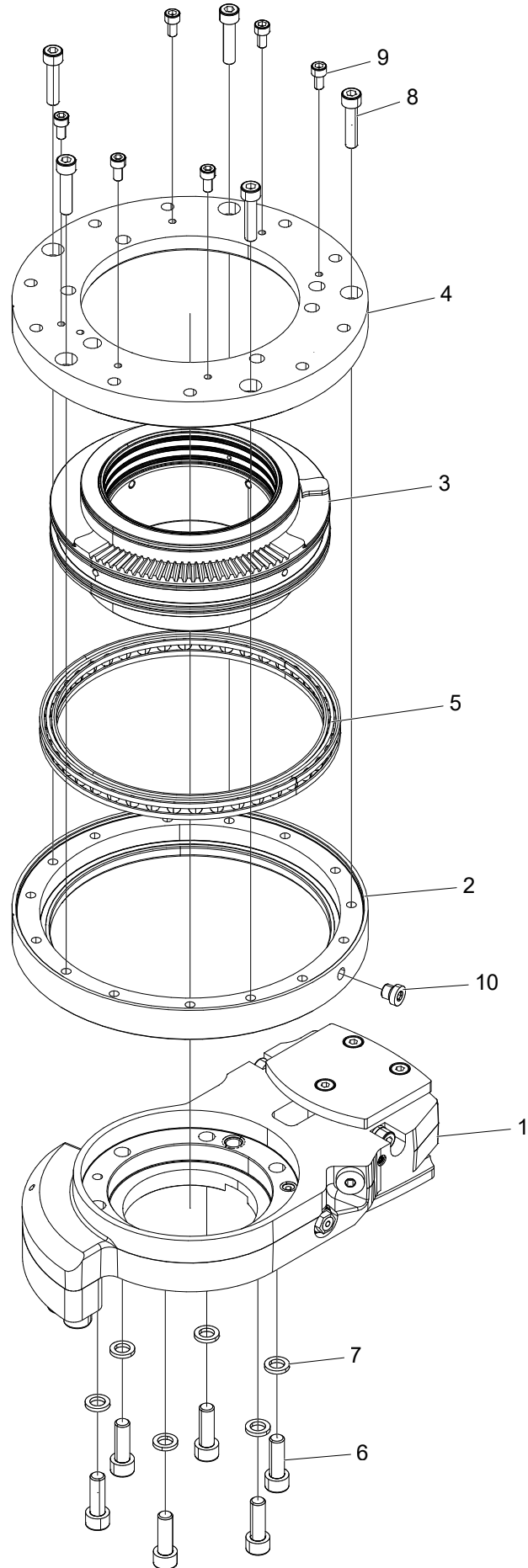
Saw unit 218

Structure 017967				
Pos.	Part no.	Quantity	Description	Specification
1	017901	1	Saw bar bracket	218
2	017884	1	Cover	
3	017908	1	Bearing unit	
4	017883	1	Bracket	
5	508100	1	Bearing	
6	501090	6	Screw	M10x30 12.9
7	503057	6	Washer	NL10
8	501072	5	Screw	M8x35 12.9
9	501043	6	Screw	M6x12 12.9
10	601000	1	Hex plug	1/8"



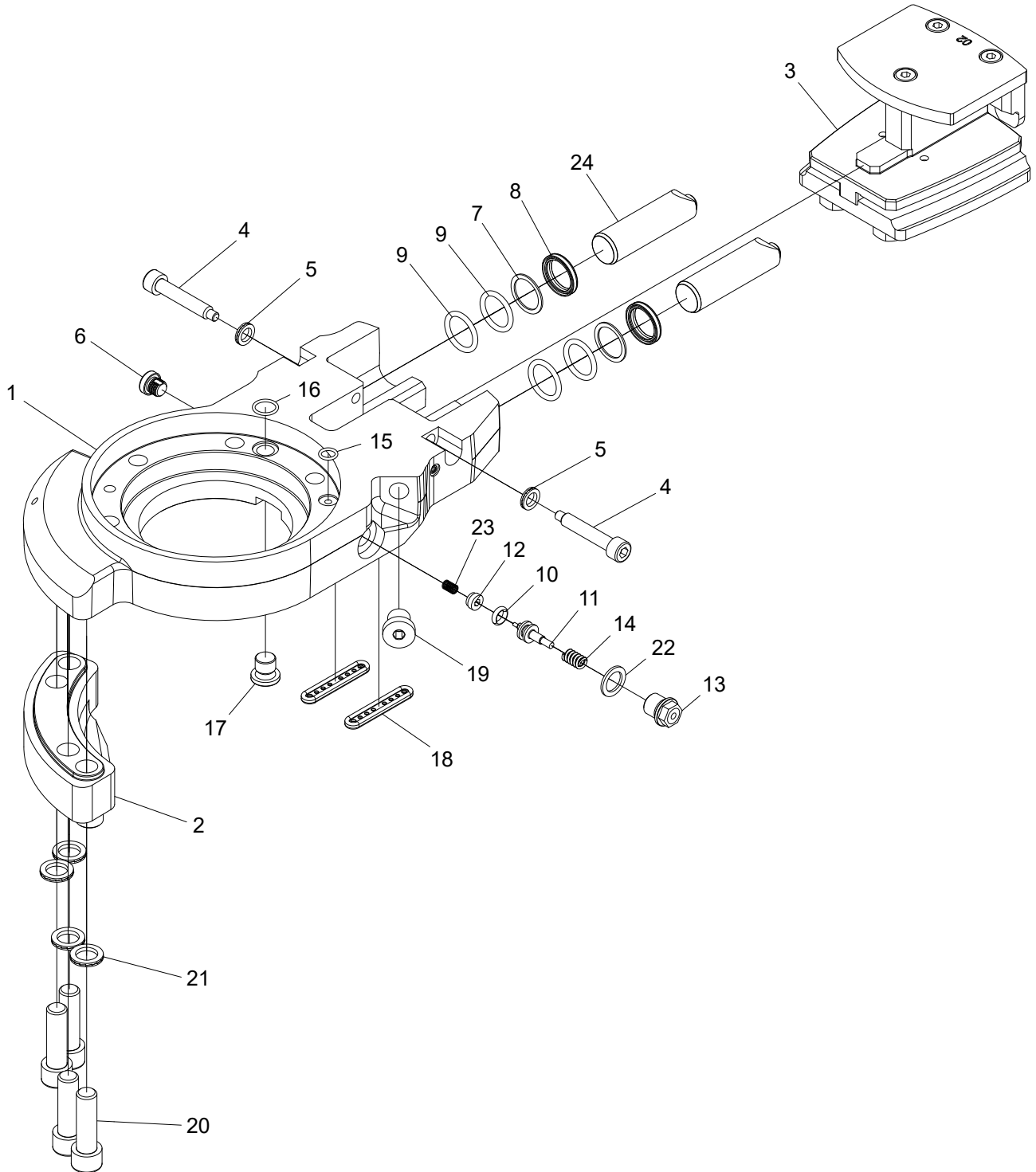
Saw bar bracket 218

Structure 017901				
Pos.	Part no.	Quantity	Description	Specification
1	017728	1	Saw bar bracket	
2	017895	1	Cylinder bracket	
3	017799	1	Pin	
4	016936	1	Thrust washer	
5	018133	1	Excenter	
6	016774	2	Bolt	Ø10
7	012519	1	Lock shaft	
8	515027	2	Cylindrical pin	6x80
9	515013	1	Tension pin	6x32
10	513051	4	Hex plug	M16x16
11	540009	1	O-ring	12,1x1,6
12	602122	1	Hex plug	M12x15
13	601001	1	Hex plug	1/4"
14	501111	4	Screw	M12x40
15	503060	4	Washer	NL12



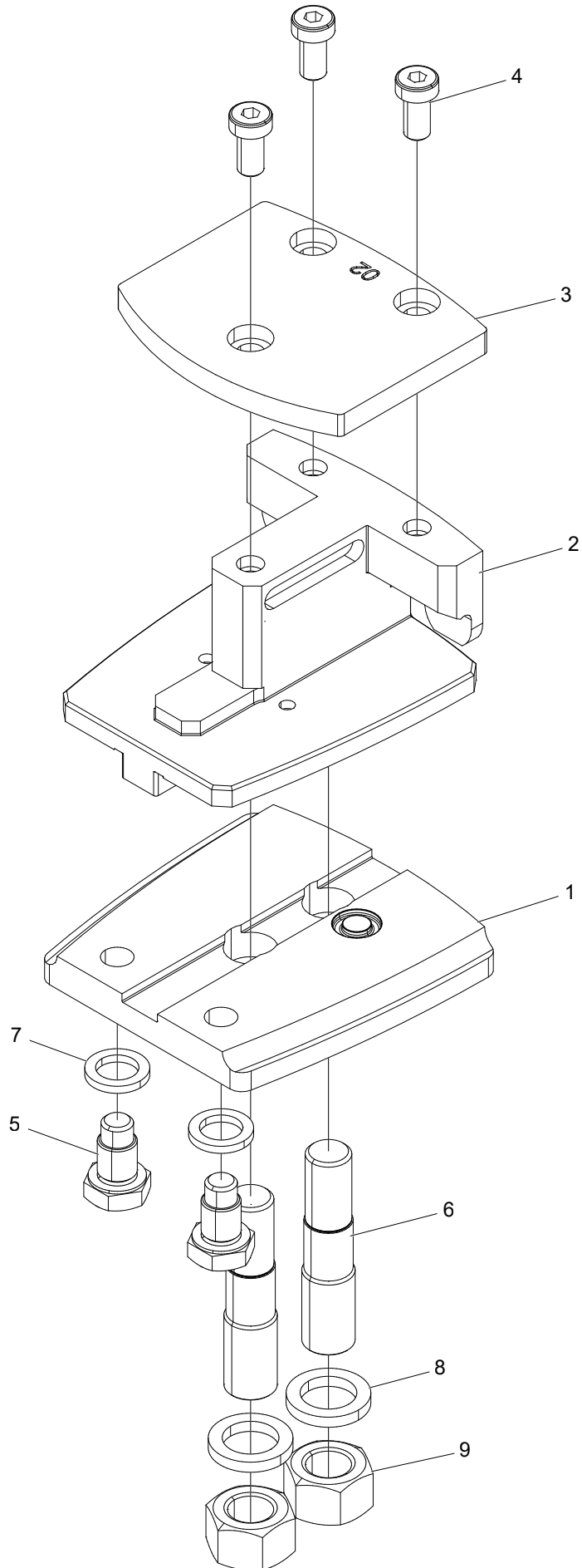
Saw unit 318-02

Structure 017968				
Pos.	Part no.	Quantity	Description	Specification
1	017902	1	Saw bar bracket	318-02
2	017884	1	Cover	
3	017908	1	Bearing unit	
4	017883	1	Bracket	
5	508100	1	Bearing	
6	501090	6	Screw	M10x30 12.9
7	503057	6	Washer	NL10
8	501072	5	Screw	M8x35 12.9
9	501043	6	Screw	M6x12 12.9
10	601000	1	Hex plug	1/8"



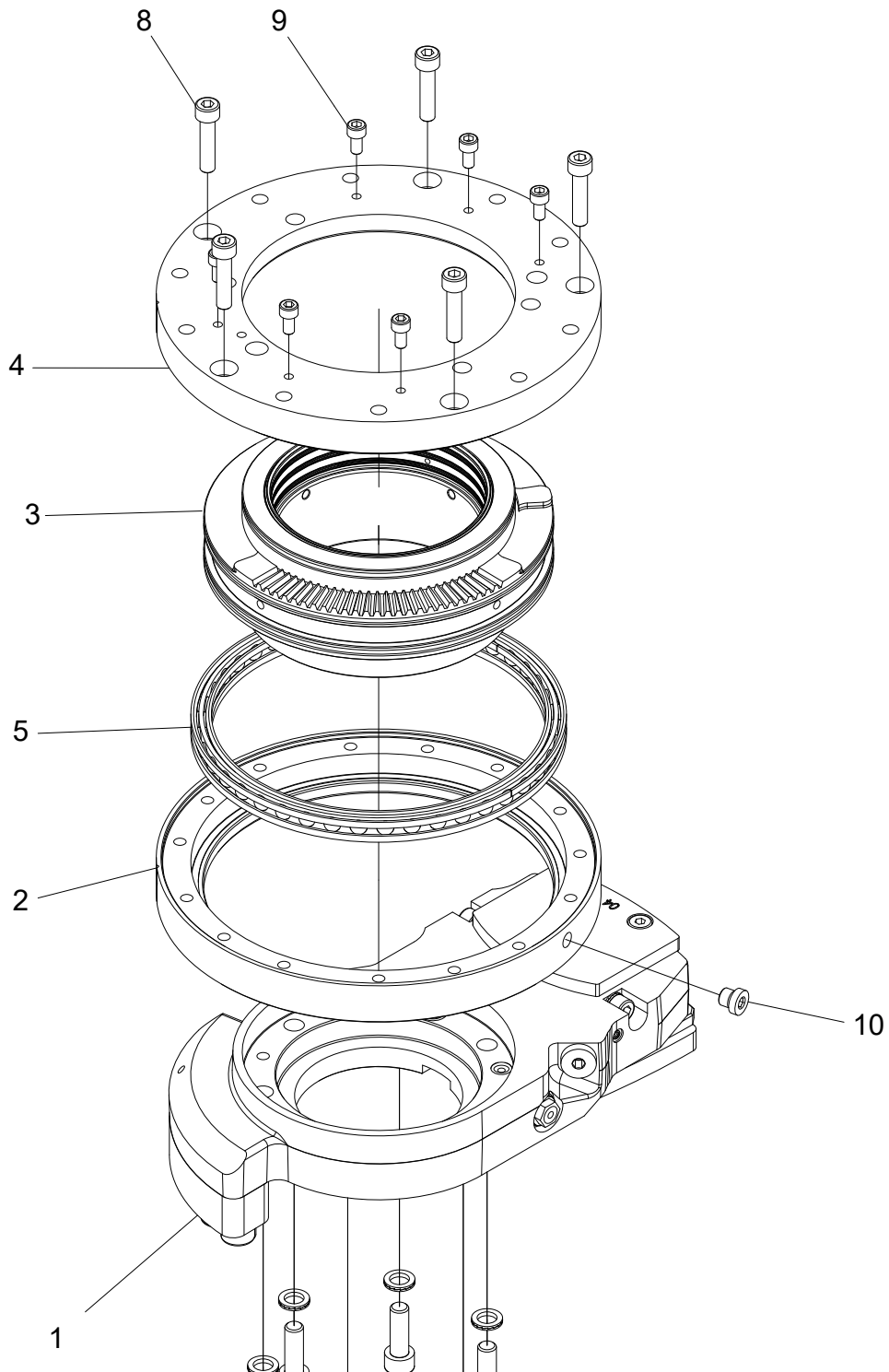
Saw bracket 318-02

Structure 017902				
Pos.	Part no.	Quantity	Description	Specification
1	017729	1	Saw bar bracket	
2	017895	1	Cylinder bracket	
3	017892	1	Saw bar holder	
4	017903	2	Stop screw	M8
5	503055	2	Washer	NL8
6	018221	1	Bleeder plug	1/8"
7	554194	2	Support ring	Ø25,2/20,1
8	554195	2	Scraper	
9	543089	4	O-ring	Ø20,2x3
10	543087	1	O-ring	6,02x2,62
11	554248	1	Piston	
12	617047	1	Check valve	
13	554249	1	Plug	
14	526033	1	Spring	
15	543084	1	O-ring	Ø8,1x1,6
16	540009	1	O-ring	Ø12,1x1,6
17	602122	1	Plug	M12x1,5
18	635223	2	Seal	
19	601001	1	Hex plug	1/4"
20	501111	4	Screw	M12x40 12.9
21	503060	4	Washer	NL12
22	601200	1	Copper seal	13x19x1,5
23	526037	1	Spring	
24	018849	2	Piston	



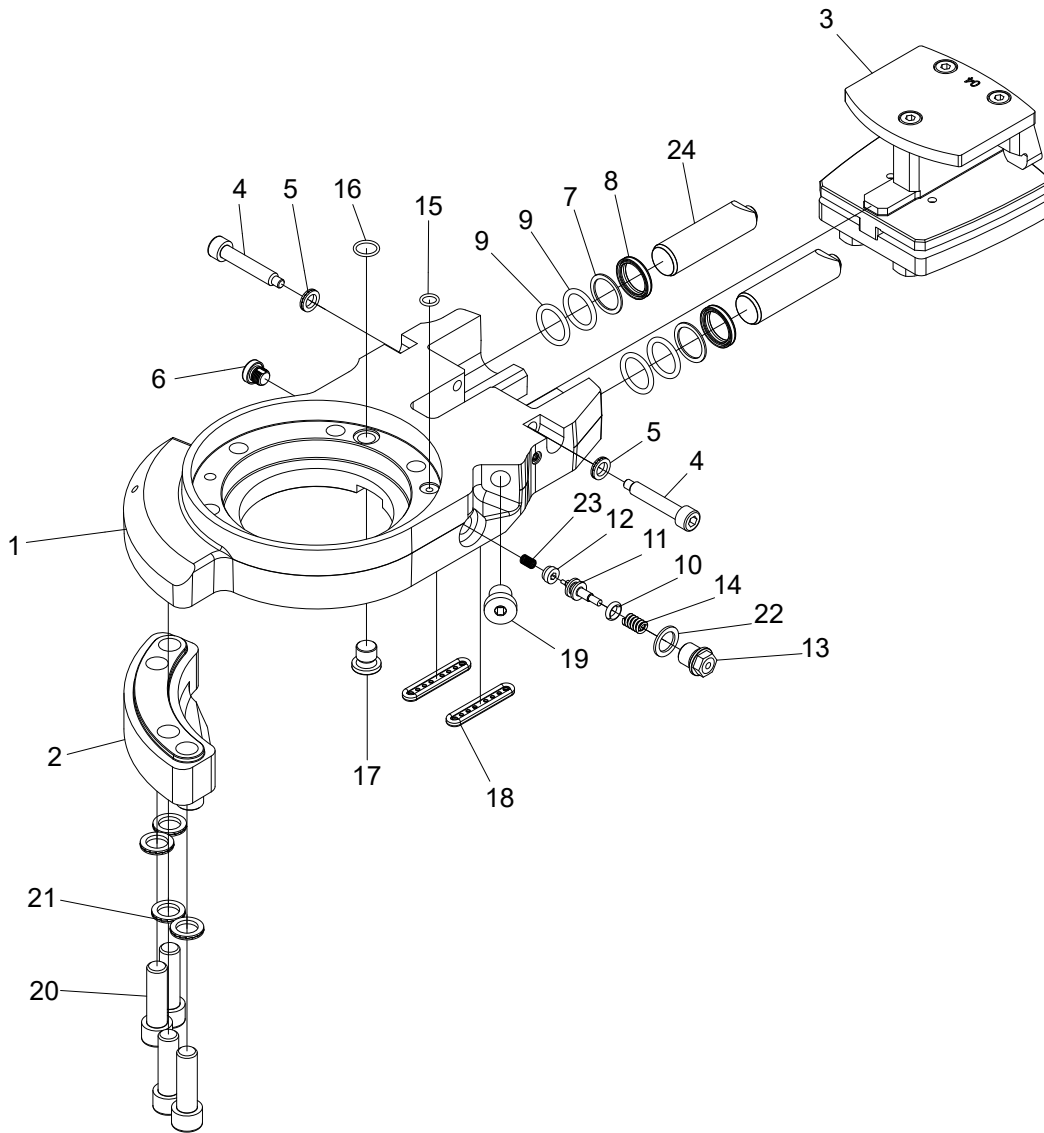
Saw bar holder 02

Structure 017892				
Pos.	Part no.	Quantity	Description	Specification
1	017891	1	Lower plate	
2	017890	1	Middle section	
3	017889	1	Upper plate	
4	505079	3	Screw	M8x16 10.9
5	018763	2	Guide pin	
6	017980	2	Pin screw	
7	503060	2	Washer	NL12
8	503063	2	Washer	NL16
9	502009	2	Nut	M16 FZB



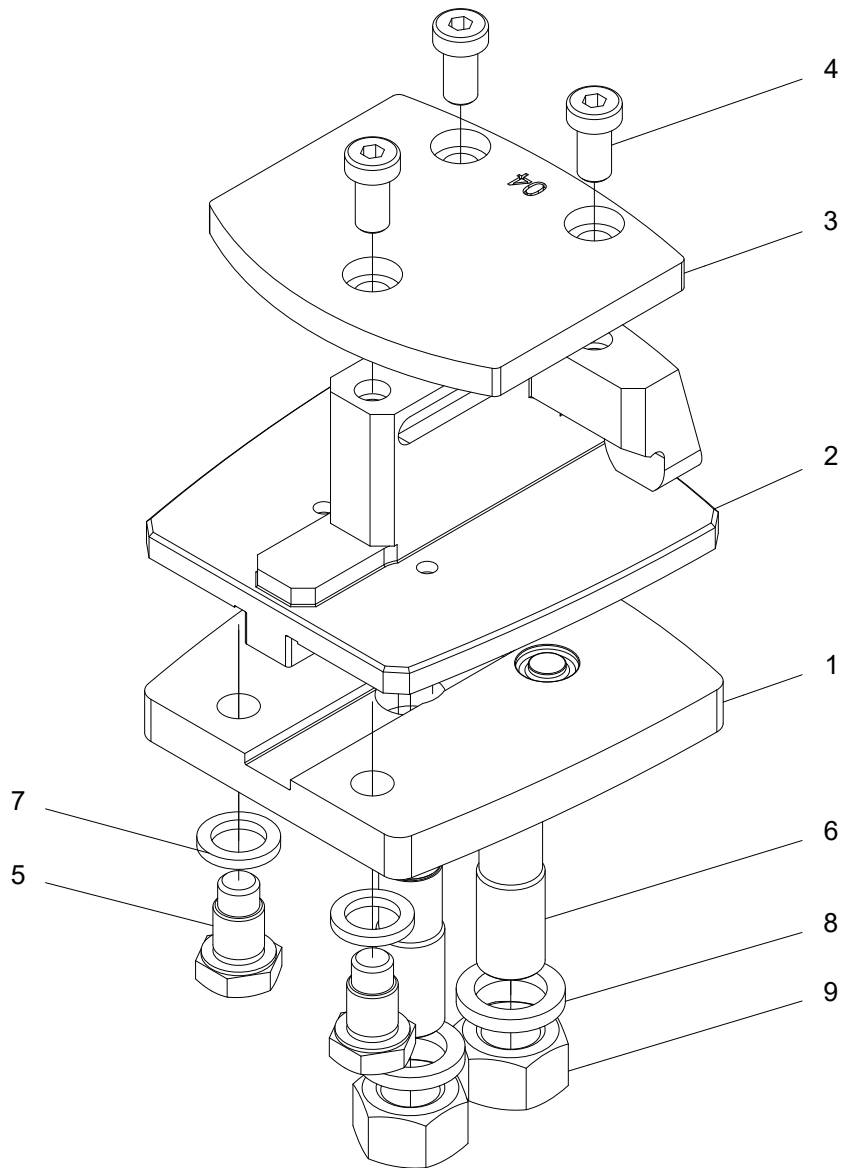
Saw unit 318-04

Structure 017969				
Pos.	Part no.	Quantity	Description	Specification
1	017966	1	Saw bar bracket	318-04
2	017884	1	Cover	
3	017908	1	Bearing unit	
4	017883	1	Bracket	
5	508100	1	Bearing	
6	501090	6	Screw	M10x30 12.9
7	503057	6	Washer	NL10
8	501072	5	Screw	M8x35 12.9
9	501043	6	Screw	M6x12 12.9
10	601000	1	Hex plug	1/8"



Saw bar bracket 318-04

Structure 017966				
Pos.	Part no.	Quantity	Description	Specification
1	017729	1	Saw bar bracket	
2	017895	1	Cylinder bracket	
3	017965	1	Saw bar holder	04
4	017903	2	Stop screw	M8
5	503055	2	Washer	NL8
6	018221	1	Bleeder plug	1/8"
7	554194	2	Support ring	25,2x20,1
8	554195	2	Scraper	
9	543089	4	O-ring	20,2x3
10	543087	1	O-ring	6,02x2,62
11	554248	1	Piston	
12	617047	1	Check valve	
13	554249	1	Plug	
14	526033	1	Spring	
15	543084	1	O-ring	8,1x1,6
16	540009	1	O-ring	12,1x1,6
17	602122	1	Plug	M12x1,5
18	635223	2	Seal	
19	601001	1	Hex plug	1/4"
20	501111	4	Screw	M12x40 12.9
21	503060	4	Washer	NL12
22	601200	1	Copper seal	13x19x1,5
23	526037	1	Spring	
24	018849	2	Piston	



Saw bar holder 04

Structure 017965				
Pos.	Part no.	Quantity	Description	Specification
1	018295	1	Lower plate	
2	017964	1	Middle section	
3	017983	1	Upper plate	
4	505079	3	Screw	M8x16 10.9
5	018763	2	Guide pin	
6	017980	2	Pin screw	
7	503060	2	Washer	NL12
8	503063	2	Washer	NL16
9	502009	2	Nut	M16 FZB

Saw 218 F11-19 saw bar and saw chain

Structure				
Pos.	Part no.	Quantity	Description	Specification
	549518-175	1	Saw bar	18H 750 mm z=12
	549018-088	1	Saw chain	88E 0,404
	549518-182	1	Saw bar	18H 820 mm z=12
	549018-095	1	Saw chain	95E 0,404

Saw 318 F11-19 saw bar and saw chain

Structure				
Pos.	Part no.	Quantity	Description	Specification
	549518-175	1	Saw bar	18H 750 mm z=12
	549018-089	1	Saw chain	89E 0,404
	549518-182	1	Saw bar	18H 820 mm z=12
	549018-095	1	Saw chain	95E 0,404

Saw 218 True-Cut saw bar and saw chain

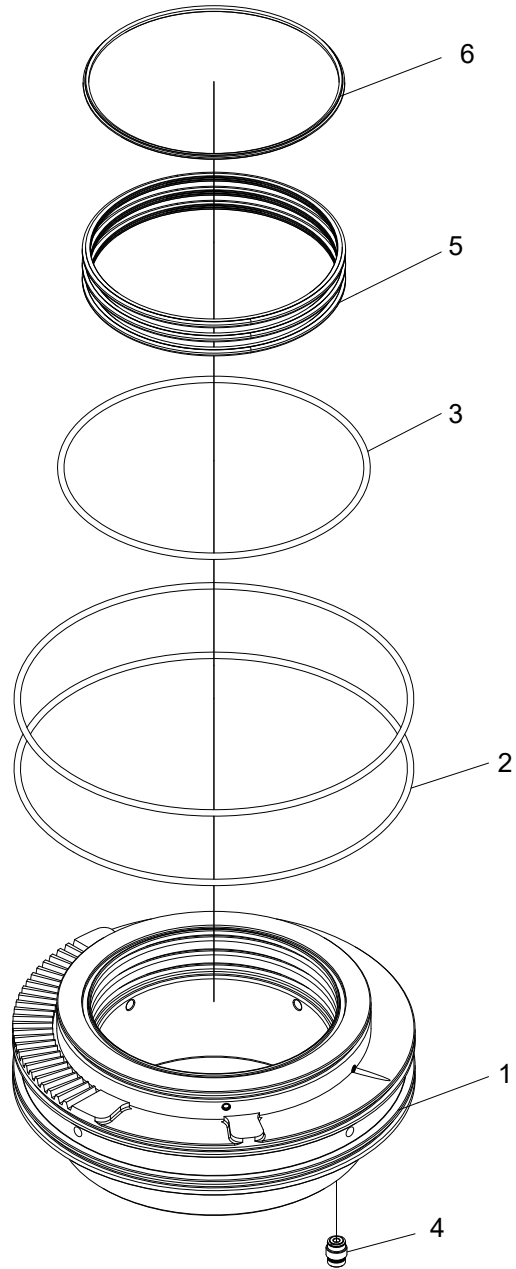
Structure				
Pos.	Part no.	Quantity	Description	Specification
	549518-175	1	Saw bar	18H 750 mm z=13
	549518-182	1	Saw bar	18H 820 mm z=13
	549018-088	1	Saw chain	88E 0,404
	549018-095	1	Saw chain	95E 0,404

Saw 318 True-Cut saw bar and saw chain

Structure				
Pos.	Part no.	Quantity	Description	Specification
	549518-175	1	Saw bar	18H 750 mm z=13
	549518-182	1	Saw bar	18H 820 mm z=13
	549018-089	1	Saw chain	89E 0,404
	549018-096	1	Saw chain	96E 0,404

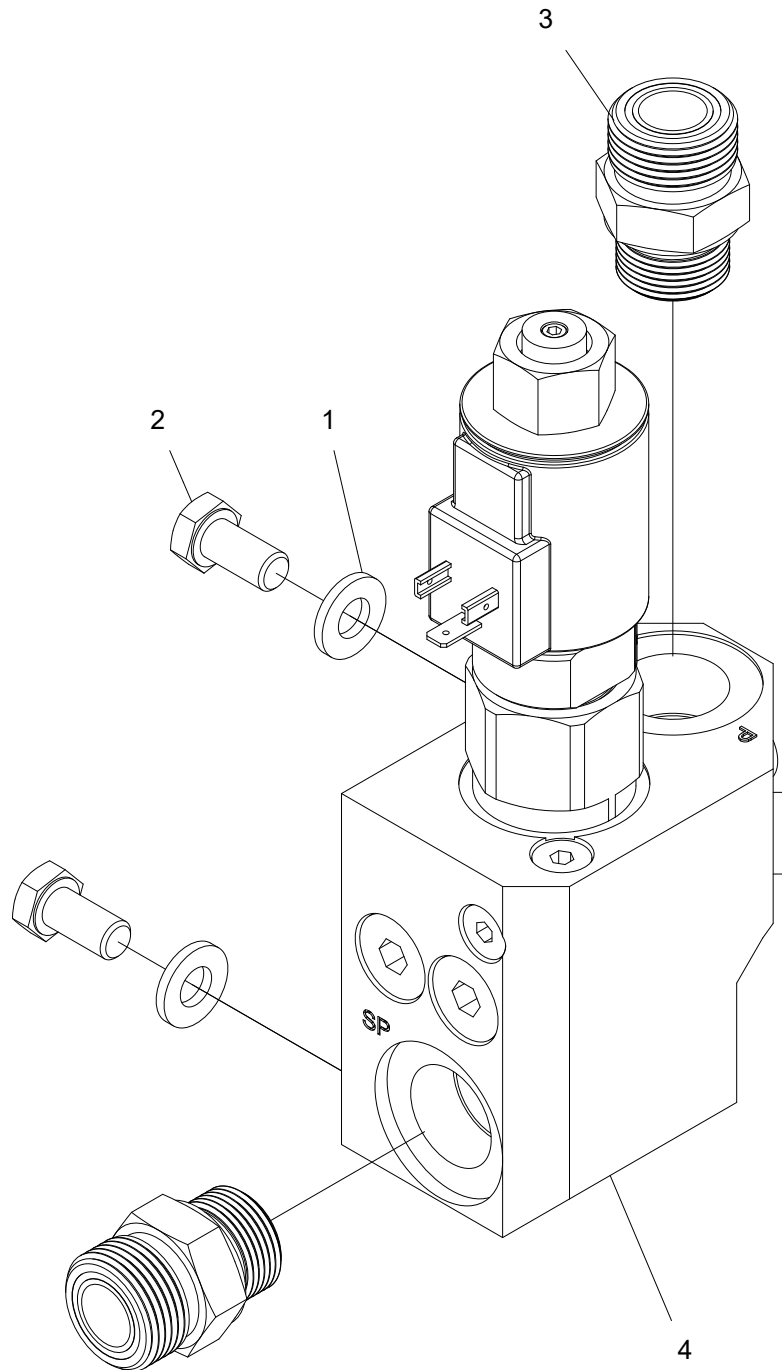
Saw 318 F12-30 saw bar and saw chain

Structure				
Pos.	Part no.	Quantity	Description	Specification
	549518-475	1	Saw bar	18H 750 mm z=18
	549518-482	1	Saw bar	18H 820 mm z=18
	549018-092	1	Saw chain	92E 0,404
	549018-099	1	Saw chain	99E 0,404



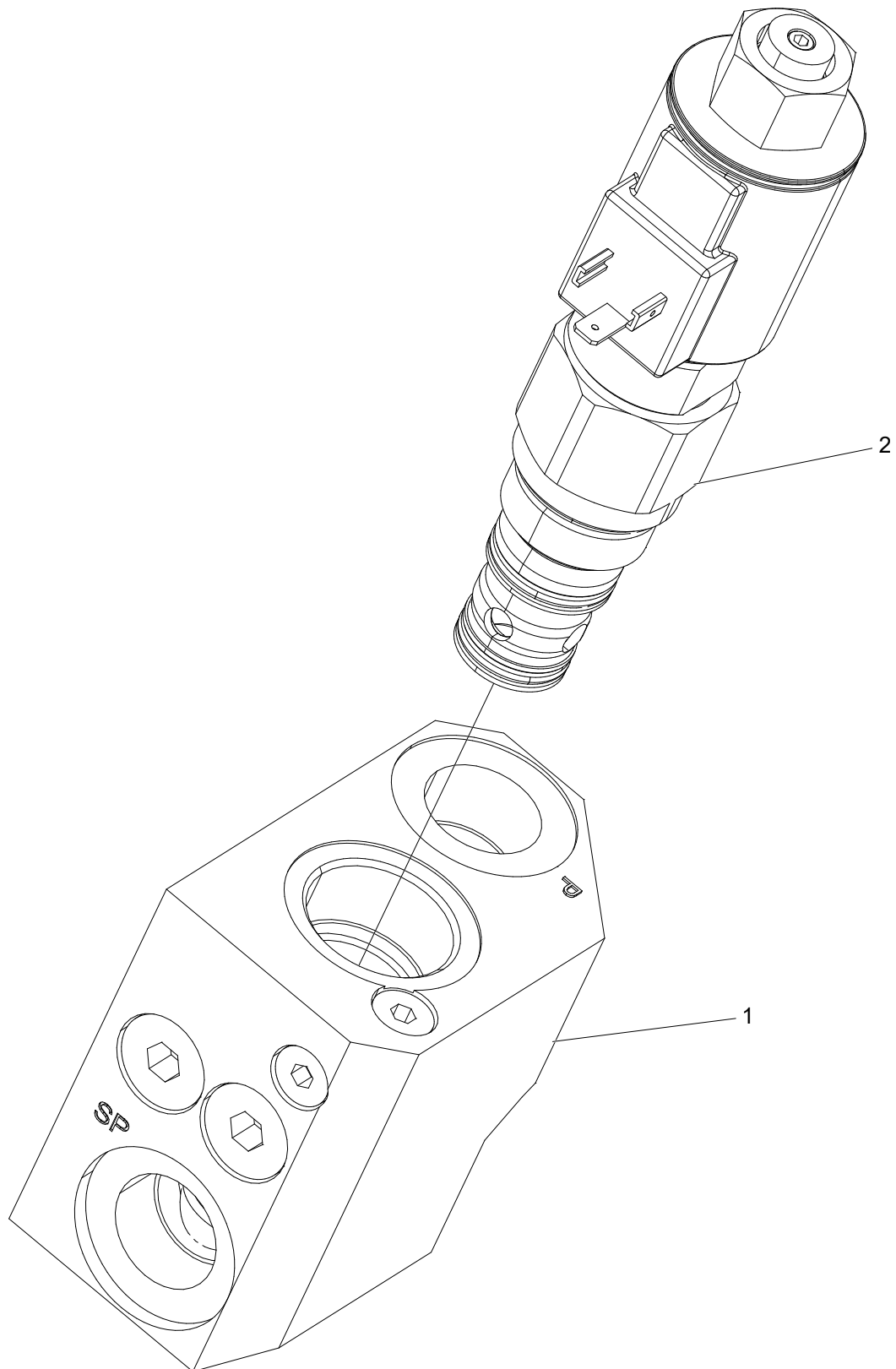
Bearing unit

Structure 017908				
Pos.	Part no.	Quantity	Description	Specification
1	017726	1	Bearing unit	
2	543038	2	O-ring	1/8"
3	543061	1	O-ring	180x3
4	617046	1	Check valve	139,5x3,0
5	635220	3	Seal ring	
6	635221	1	V-ring	



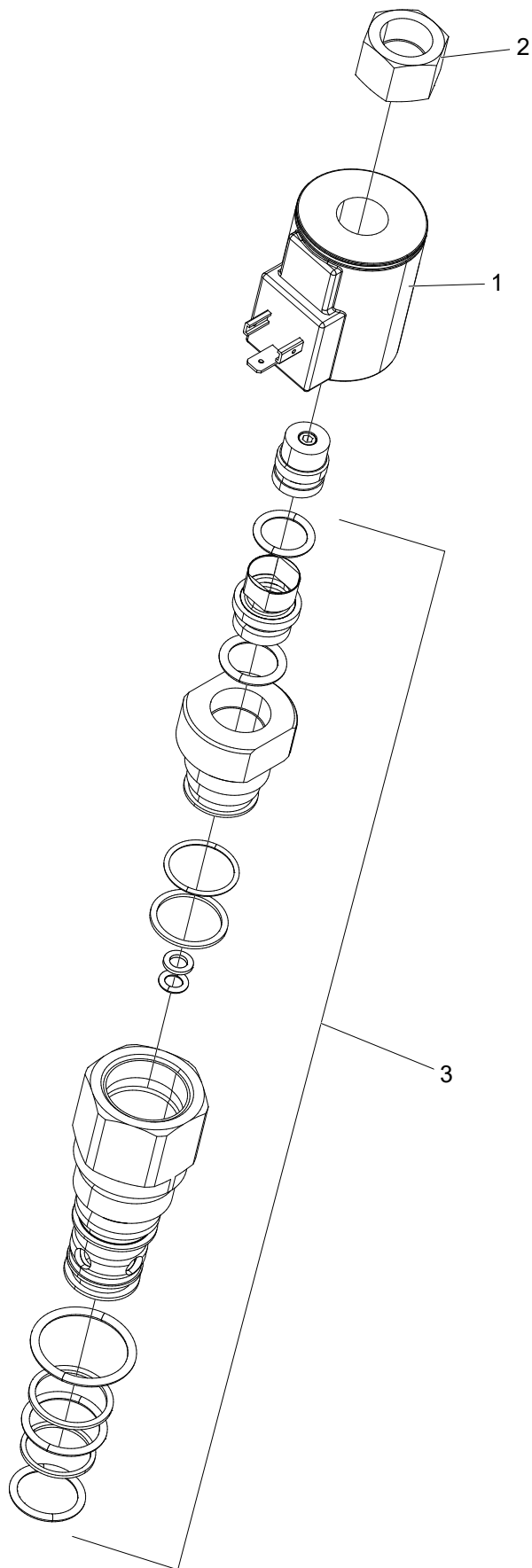
Manifold, assembly

Structure K005932-MONT				
Pos.	Part no.	Quantity	Description	Specification
1	503075	2	Washer	NL10 sp
2	500066	2	Screw	M10x20 8.8 FZB
3	601762	2	Adapter	BSP 3/4"-1 3/16" ORFS
4	016726	1	Manifold	



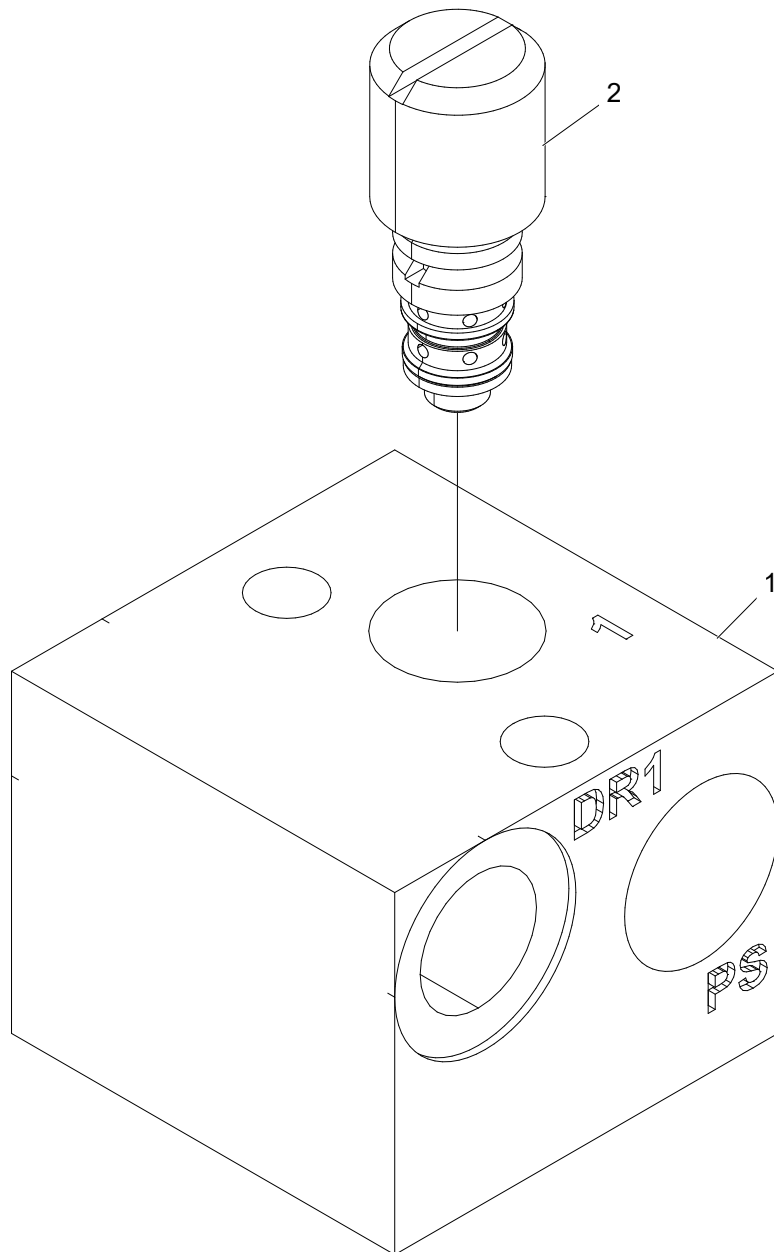
Manifold

Structure 016726				
Pos.	Part no.	Quantity	Description	Specification
1	612034	1	Manifold	
2	612062	1	Saw valve	



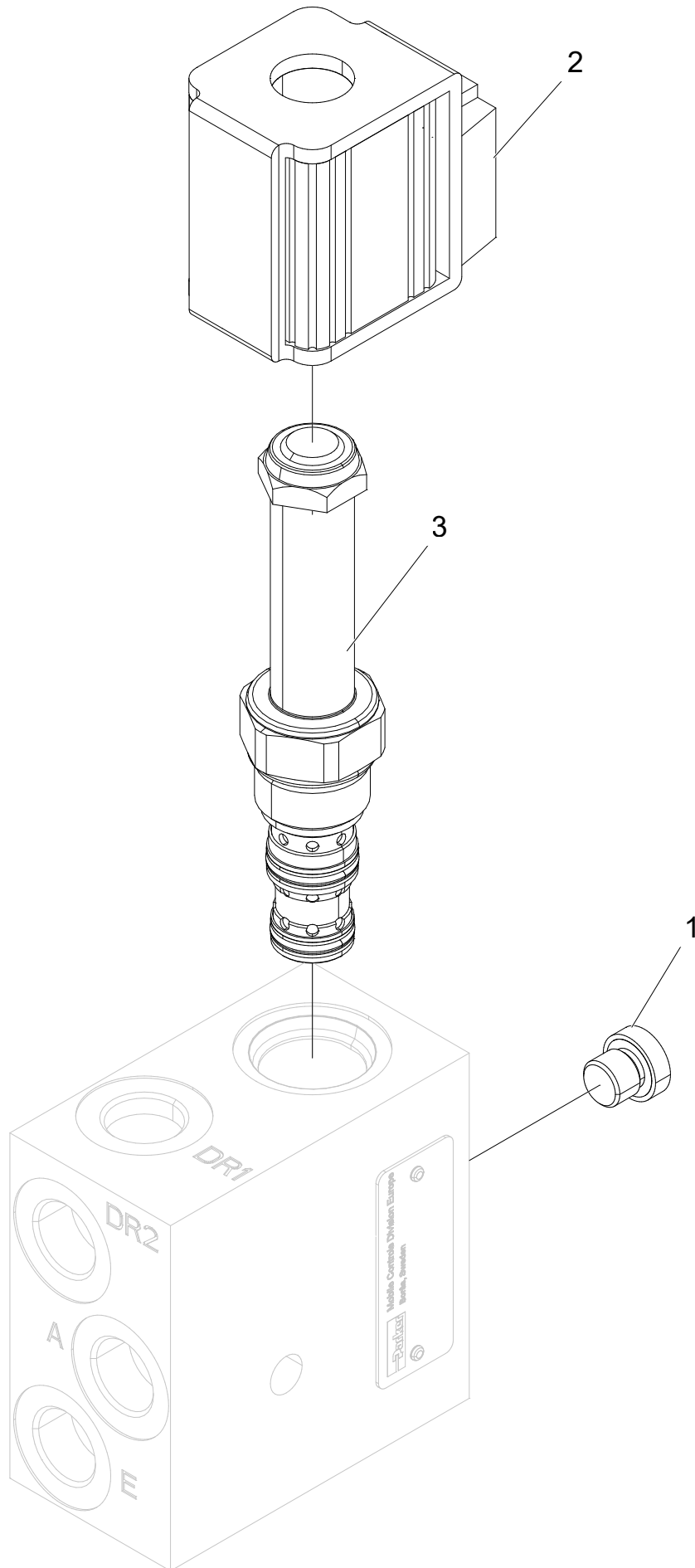
Saw valve

Structure 612062				
Pos.	Part no.	Quantity	Description	Specification
1	613057	1	Solenoid	
2	613078	1	Nut	
3	620355	1	Seal kit	



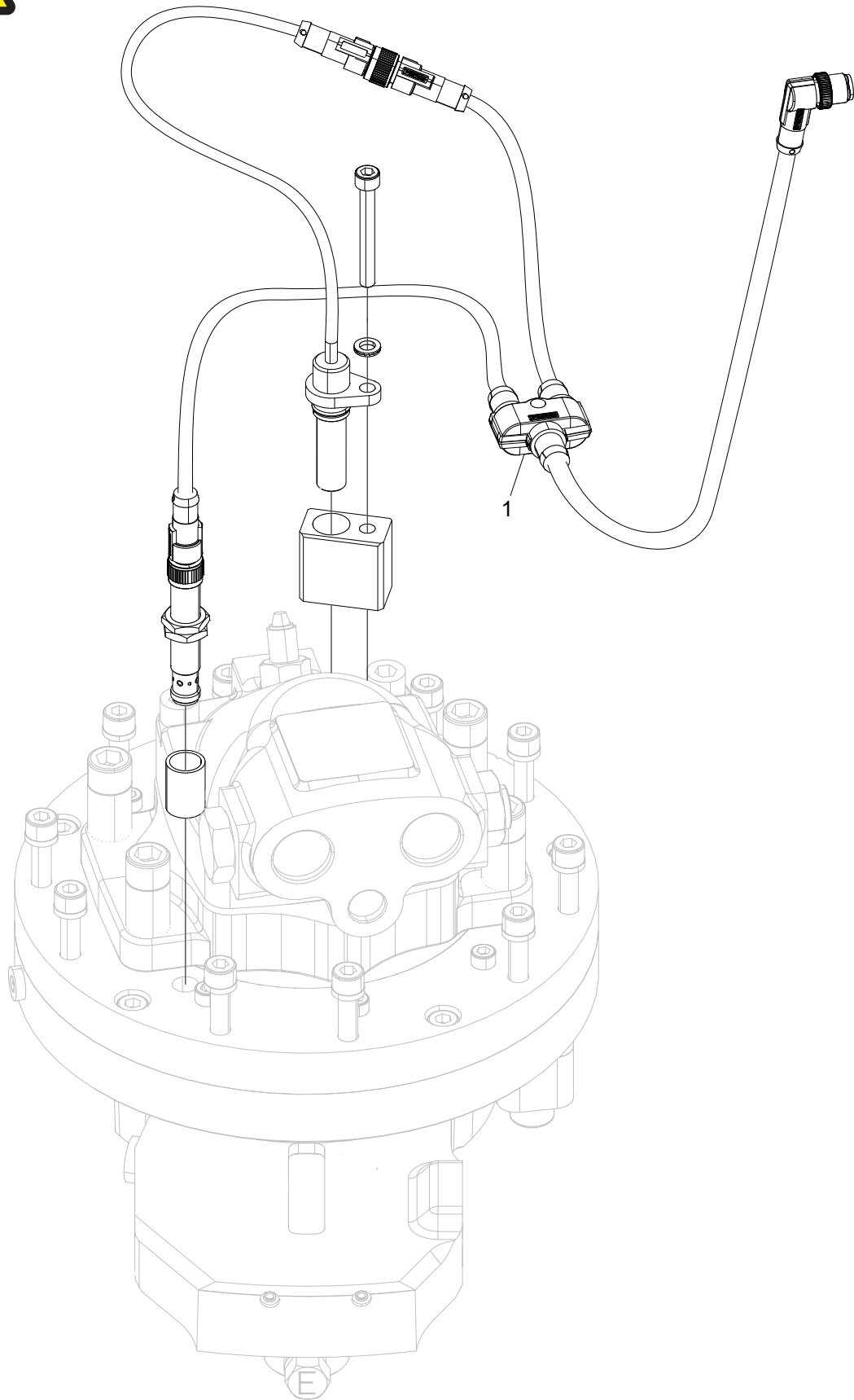
Manifold

Structure 017617				
Pos.	Part no.	Quantity	Description	Specification
1	612070	1	Manifold	
2	619039	1	Pressure reducing valve	



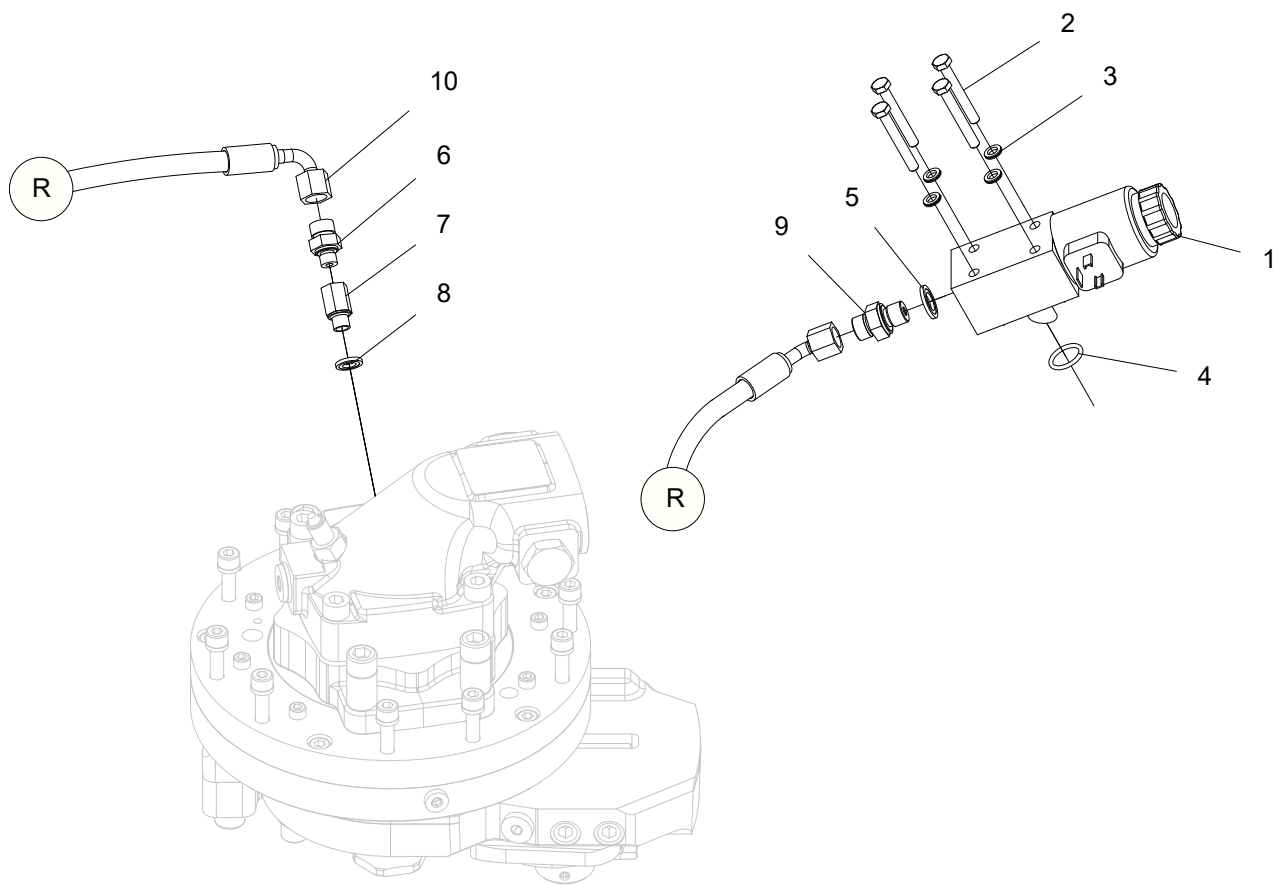
Manifold

Structure 018216				
Pos.	Part no.	Quantity	Description	Specification
1	601000	1	Hex plug	1/8"
2	612088	1	Soleonid	
3	612087	1	Directional valve	



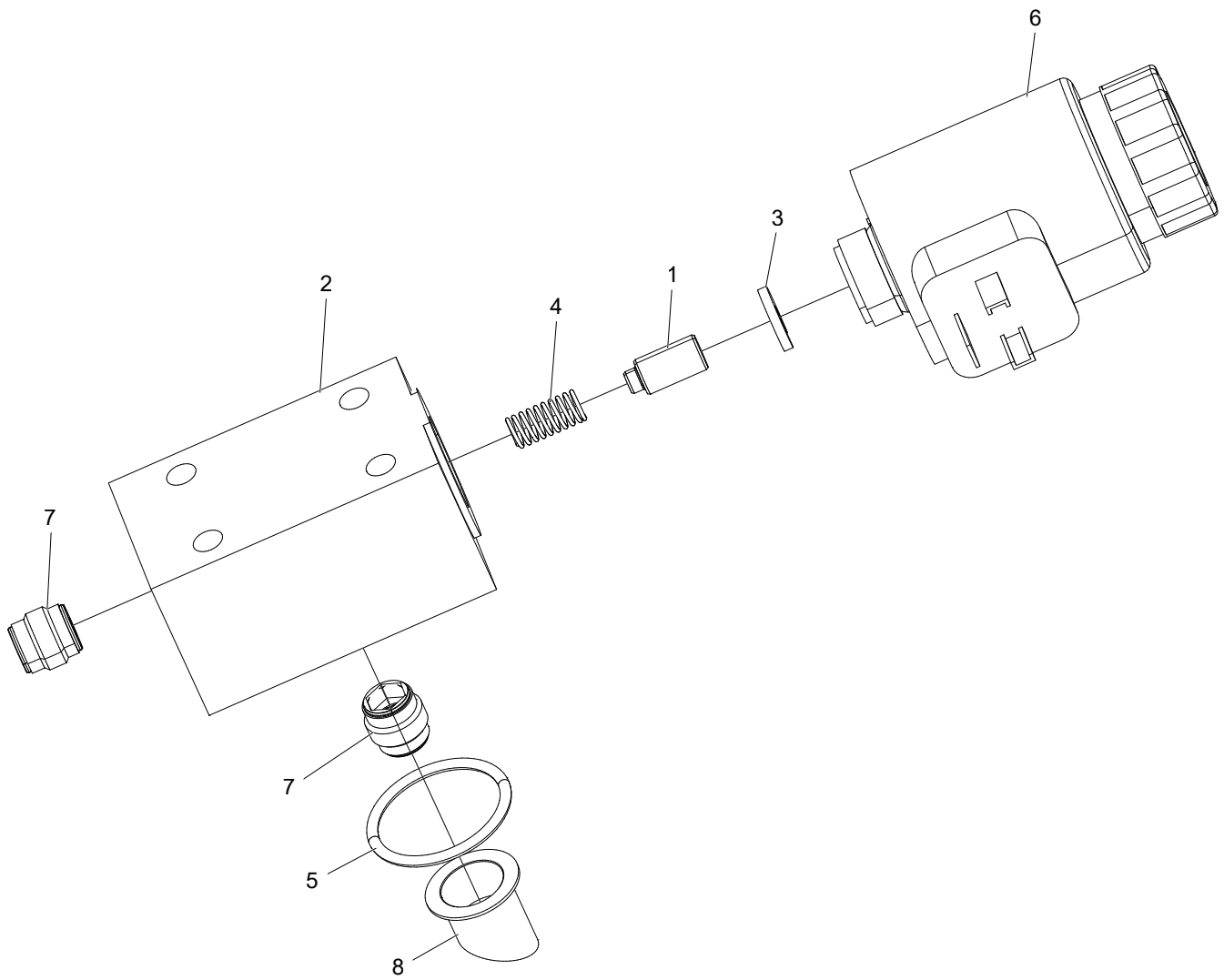
Saw sensors

Structure				
Pos.	Part no.	Quantity	Description	Specification
1		1	See cable list	



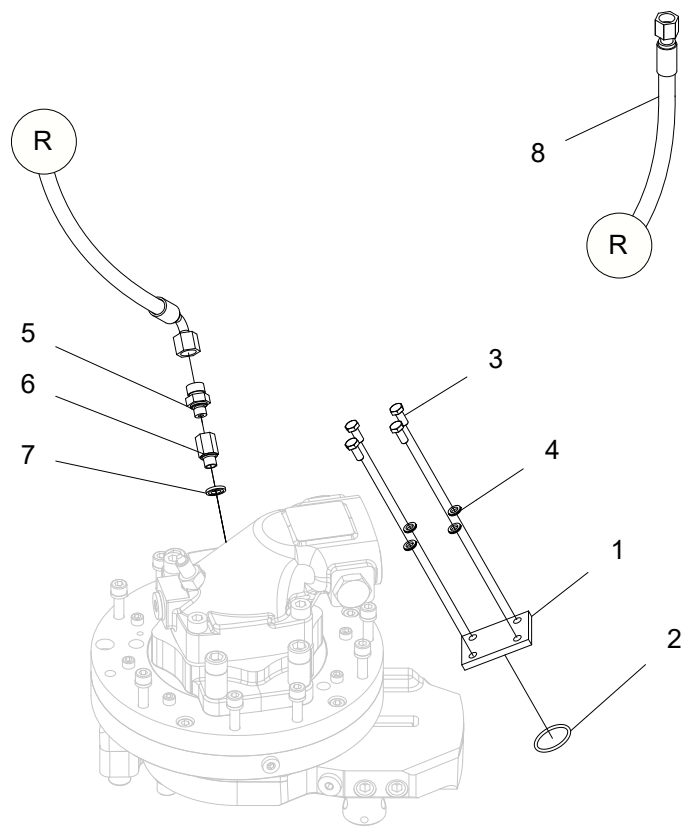
Easy Greasy

Structure 043575				
Pos.	Part no.	Quantity	Description	Specification
1	033027	1	Easy Greasy pump	
2	500029	4	Screw	M6x45 8.8 FZB
3	503065	4	Washer	NL6
4	540074	1	O-ring	17,3x2,4
5	601101	1	Bonded seal	1/4"
6	601749	1	Adapter	BSP 1/8"-9/16" ORFS
7	602083	1	Adapter	1/8"
8	601100	1	Bonded seal	1/8"
9	601750	1	Adapter	BSP 1/4"-9/16" ORFS
10	648065	1	Grease hose	



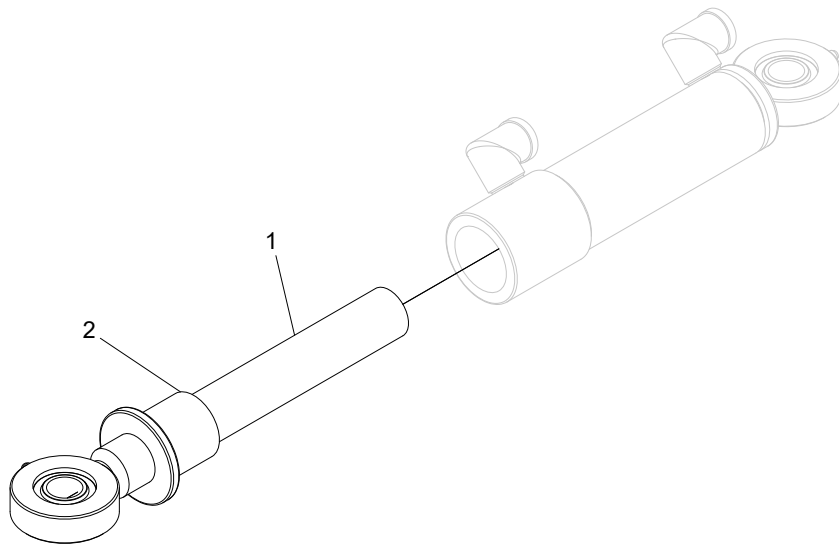
Easy Greasy pump

Structure 033027				
Pos.	Part no.	Quantity	Description	Specification
1	010897	1	Piston	
2	016282	1	Pump housing	
3	016426	1	Spacer	
4	526005	1	Spring	
5	543012	1	O-ring	27,6x2,4
6	613062	1	Solenoid	
7	617016	2	Check valve	
8	620302	1	Filter	



Grease lubrication

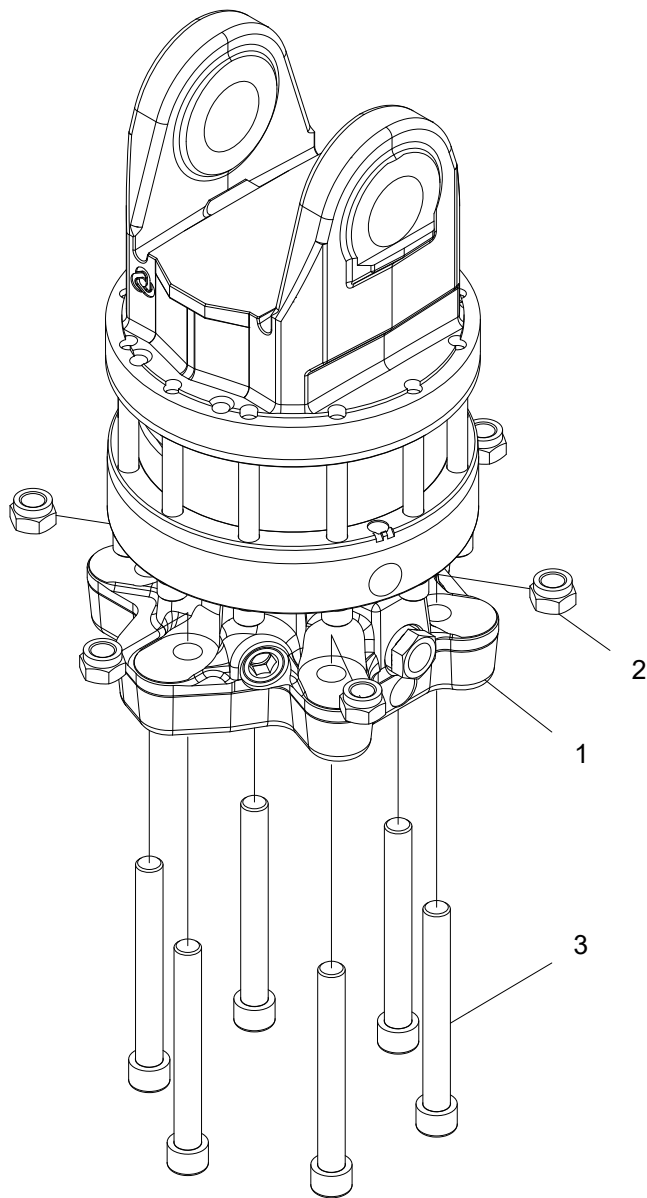
Structure 043576				
Pos.	Part no.	Quantity	Description	Specification
1	016851	1	Cover	
2	543012	1	O-ring	
3	500022	4	Screw	M6x14 8.8 FZB
4	503065	4	Washer	NL6
5	601749	1	Adapter	BSP 1/8"-9/16" ORFS
6	602083	1	Adapter	1/8"
7	601100	1	Bonded seal	1/8"
8	648064	1	Grease hose	



Hydraulic cylinder

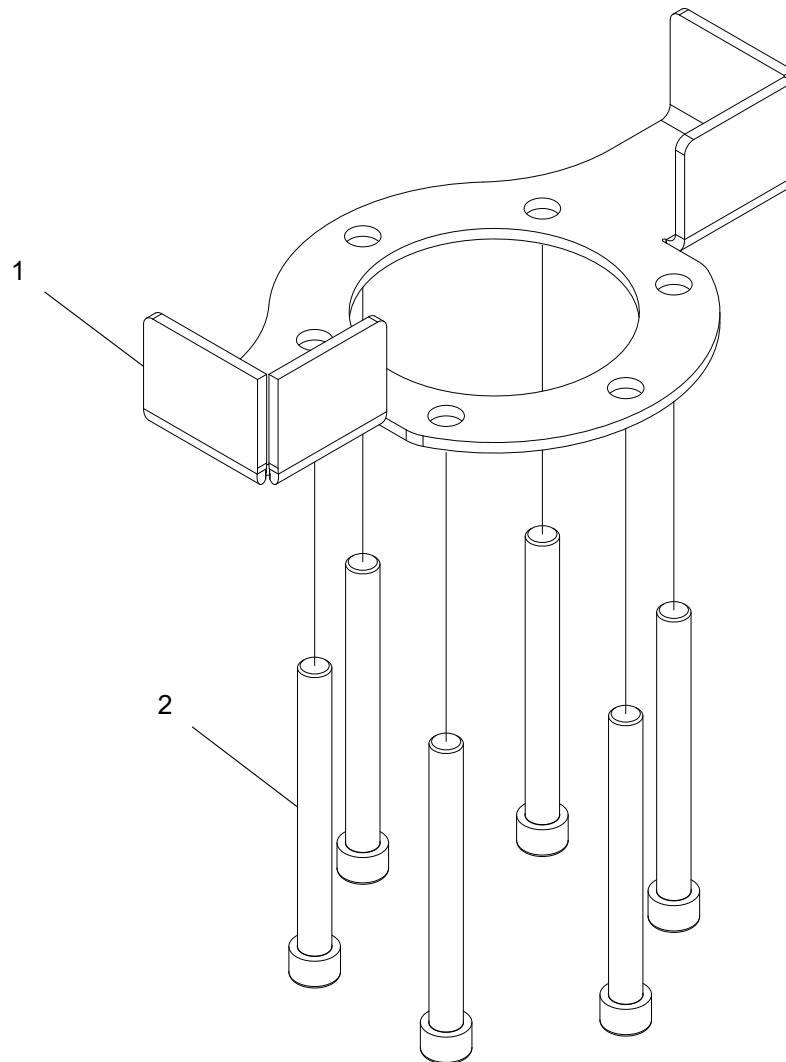
Structure 017909				
Pos.	Part no.	Quantity	Description	Specification
1	620634-KIT	1	Tie rod kit	
2	620105	1	Seal kit	

Rotators



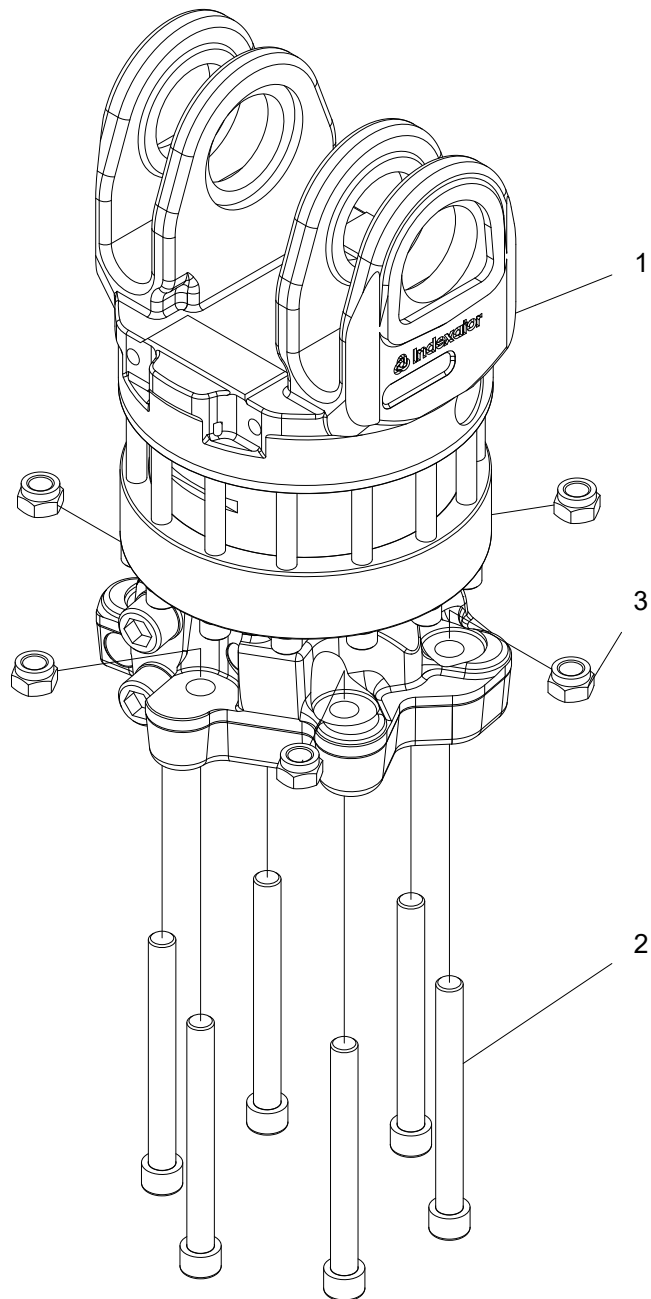
Indexator AV17S

Structure 033016				
Pos.	Part no.	Quantity	Description	Specification
1	618038	1	Rotator	
2	502705	6	Nut	M16
3	501145	6	Screw	M16x140 12.9



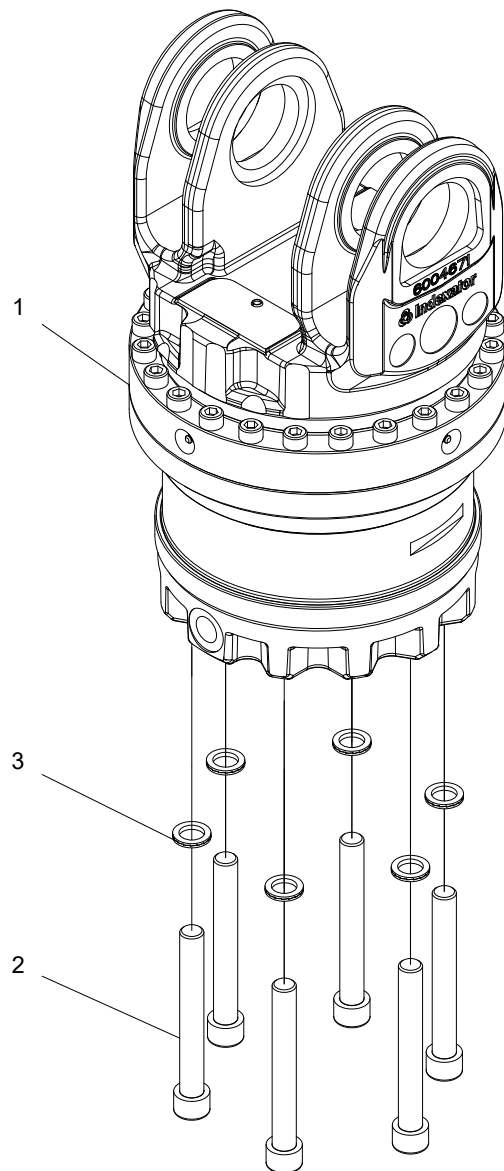
Hose guard

Structure 032138				
Pos.	Part no.	Quantity	Description	Specification
1	017117	1	Hose guard	
2	501148	6	Screw	M16x160 12.9



Indexator H182D

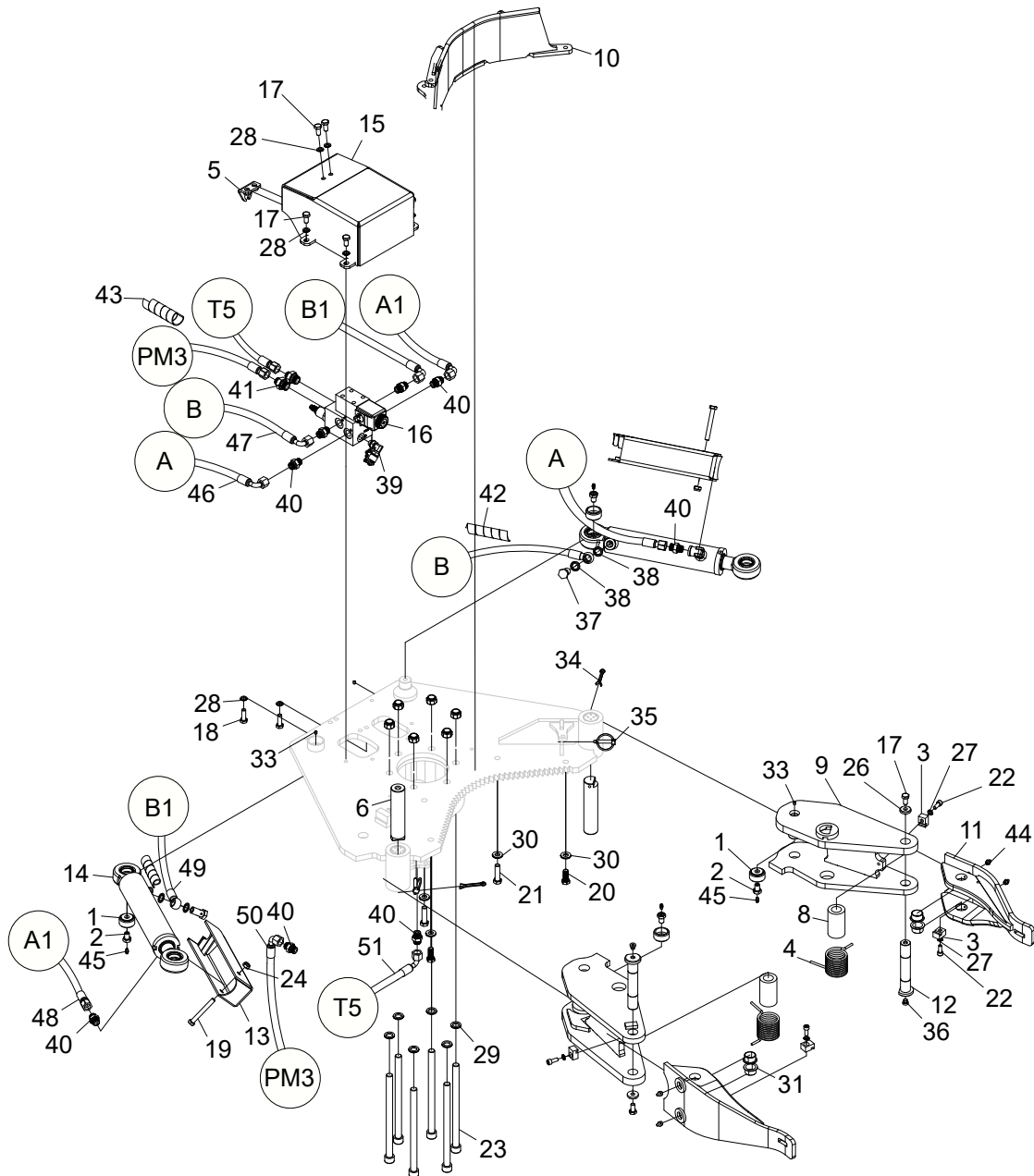
Structure 033084				
Pos.	Part no.	Quantity	Description	Specification
1	618076	1	Rotator	
2	501148	6	Screw	M16x160 12.9
3	502705	6	Nut	M16



HX30 LS

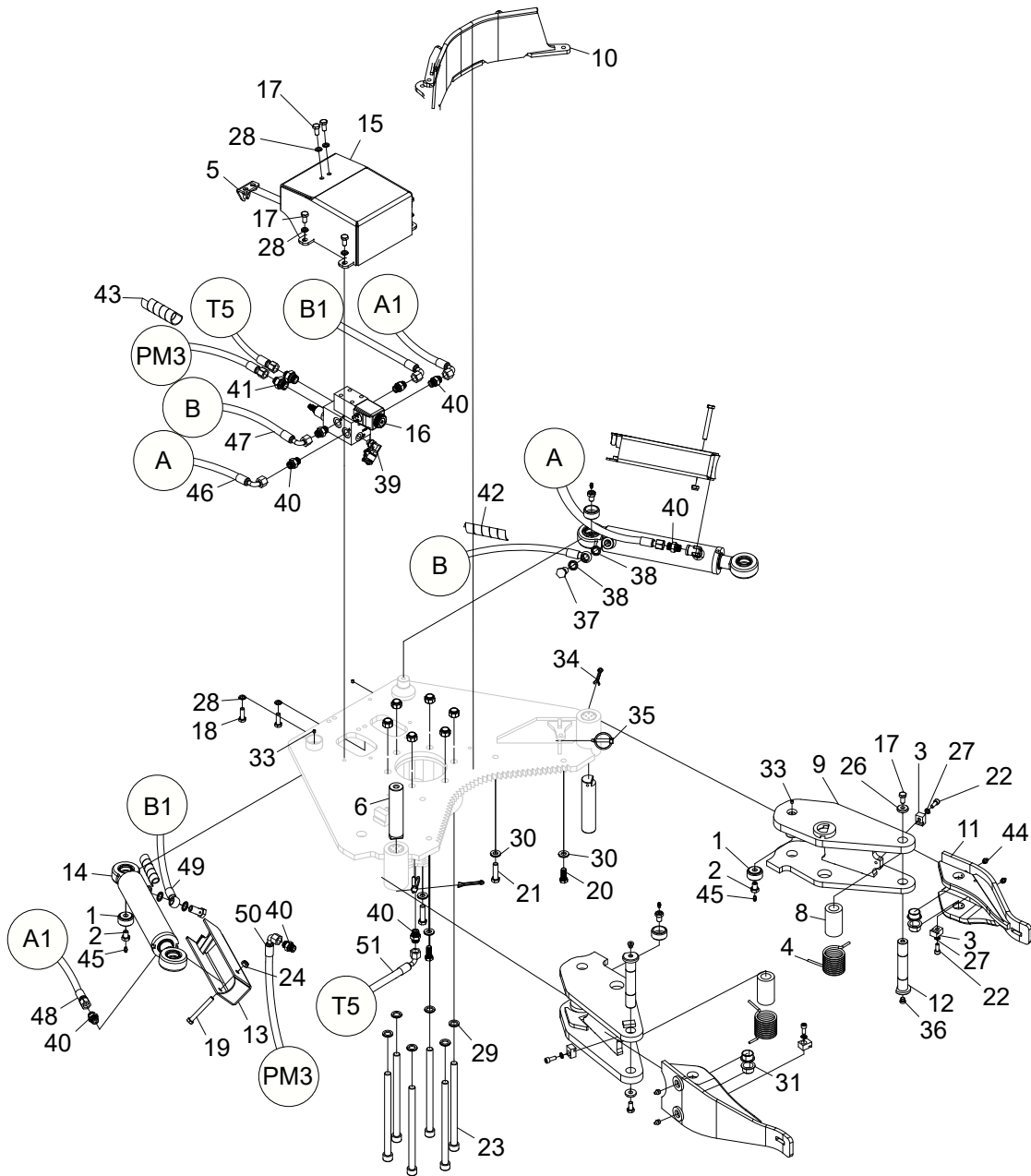
Structure 043597				
Pos.	Part no.	Quantity	Description	Specification
1	618103	1	Rotator	
2	501144	6	Screw	M16x130 12.9
3	503063	6	Washer	NL16

Accessories

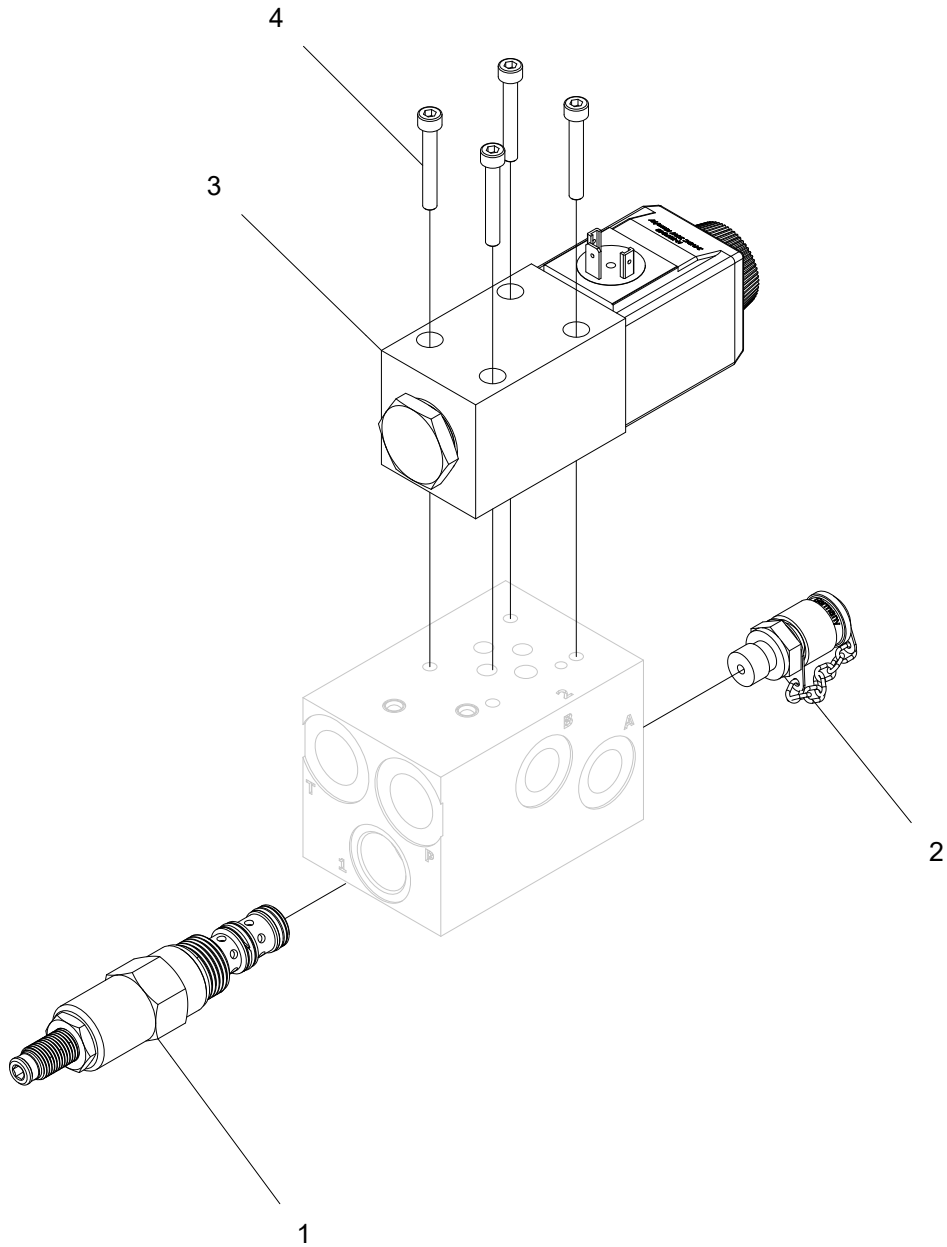


Multi stemming unit

Structure 043630				
Pos.	Part no.	Quantity	Description	Specification
1	012410	4	Sleeve	
2	012650	4	Screw	M12
3	015079	4	Clamp	
4	015081	2	Spring	Ø55x60
5	016666	1	Bracket	
6	017029	2	Pin	Ø35x156
7	017155	1	Bracket	
8	017163	2	Sleeve	
9	017164	2	Inner arm	
10	017178	1	Plate	
11	017180	2	Outer arm	
12	017184	2	Pin	Ø25x145
13	017186	2	Cover	
14	017187	2	Hydraulic cylinder	
15	017189	1	Cover	
16	017191	1	Manifold	
17	500066	8	Screw	M10x20 8.8 FZB
18	500069	2	Screw	M10x30 8.8 FZB
19	500079	2	Screw	M10x80 8.8 FZB
20	500091	2	Screw	M12x30 8.8 FZB
21	500094	2	Screw	M12x45 8.8 FZB
22	501068	4	Screw	M8x20 12.9
23	501151	6	Screw	M16x250 12.9
24	502055	2	Nut	M10
25	502705	6	Nut	M16 10.9 FZB
26	503048	2	Washer	10,5x25x6
27	503055	4	Washer	NL8
28	503057	8	Washer	NL10
29	503063	6	Washer	NL16
30	503076	4	Washer	NL12 sp
31	512005	4	Bushing	28x16
32	512012	4	Bushing	35x30
33	513040	4	Screw	M6x6

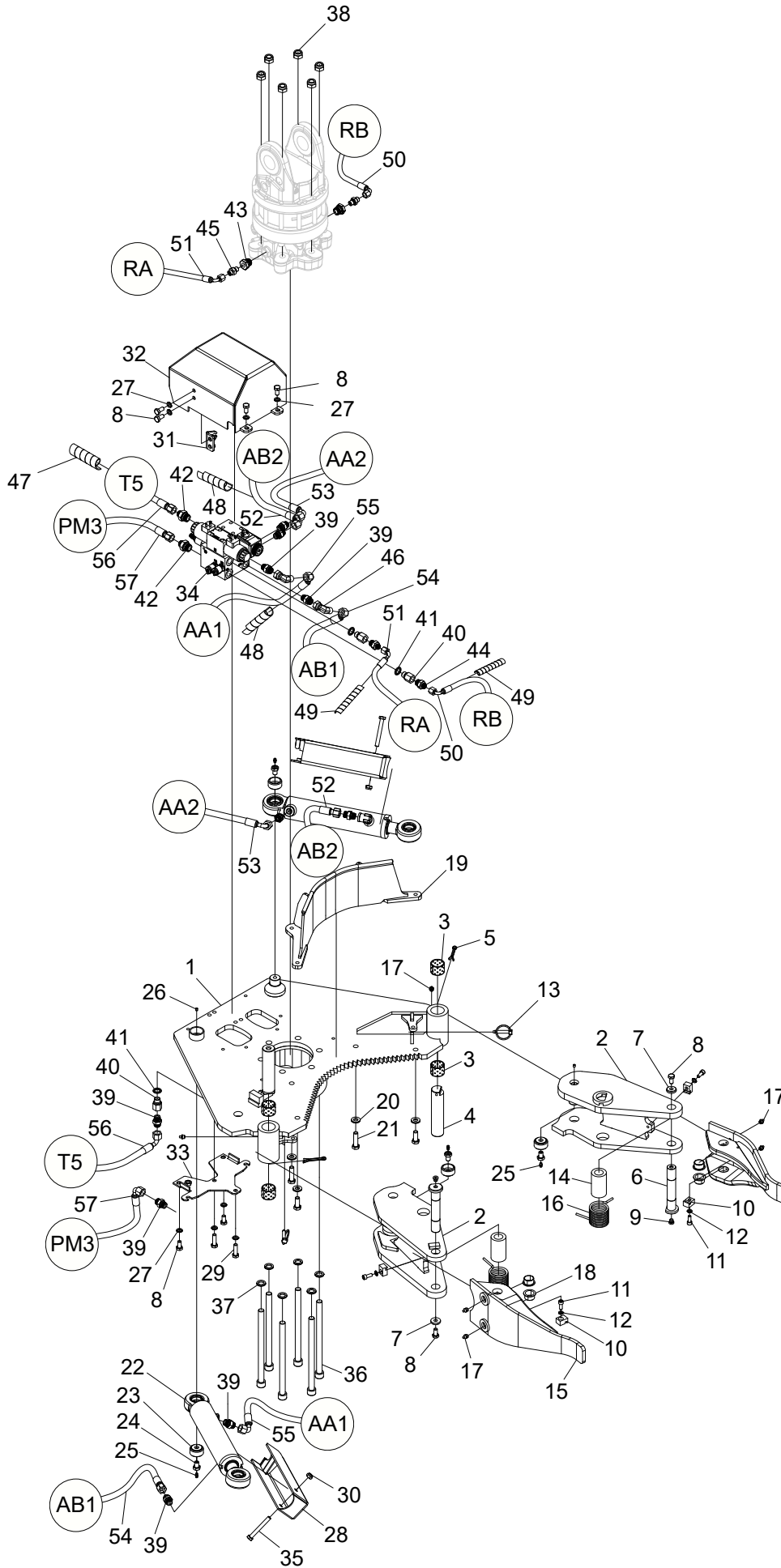


Structure 043630				
Pos.	Part no.	Quantity	Description	Specification
34	516002	2	Cotter pin	6,3x50
35	521007	2	Lock pin	Ø8
36	601000	2	Hex plug	1/8"
37	601061	2	Banjo screw	3/8"
38	601102	4	Bonded seal	3/8"
39	601263	1	Test point	90° 1/4"
40	601754	8	Adapter	BSP 3/8"-11/16" ORFS
41	601757	2	Adapter	BSP 1/2"-11/16" ORFS
42	615049		Hose cover	3/4"
43	615050		Hose cover	1"
44	625000	6	Grease nipple	1/8"
45	625004	4	Grease nipple	M6
46	648066	1	Hydraulic hose	
47	648067	1	Hydraulic hose	
48	648068	1	Hydraulic hose	
49	648069	1	Hydraulic hose	
50	648070	1	Hydraulic hose	
51	648071	1	Hydraulic hose	



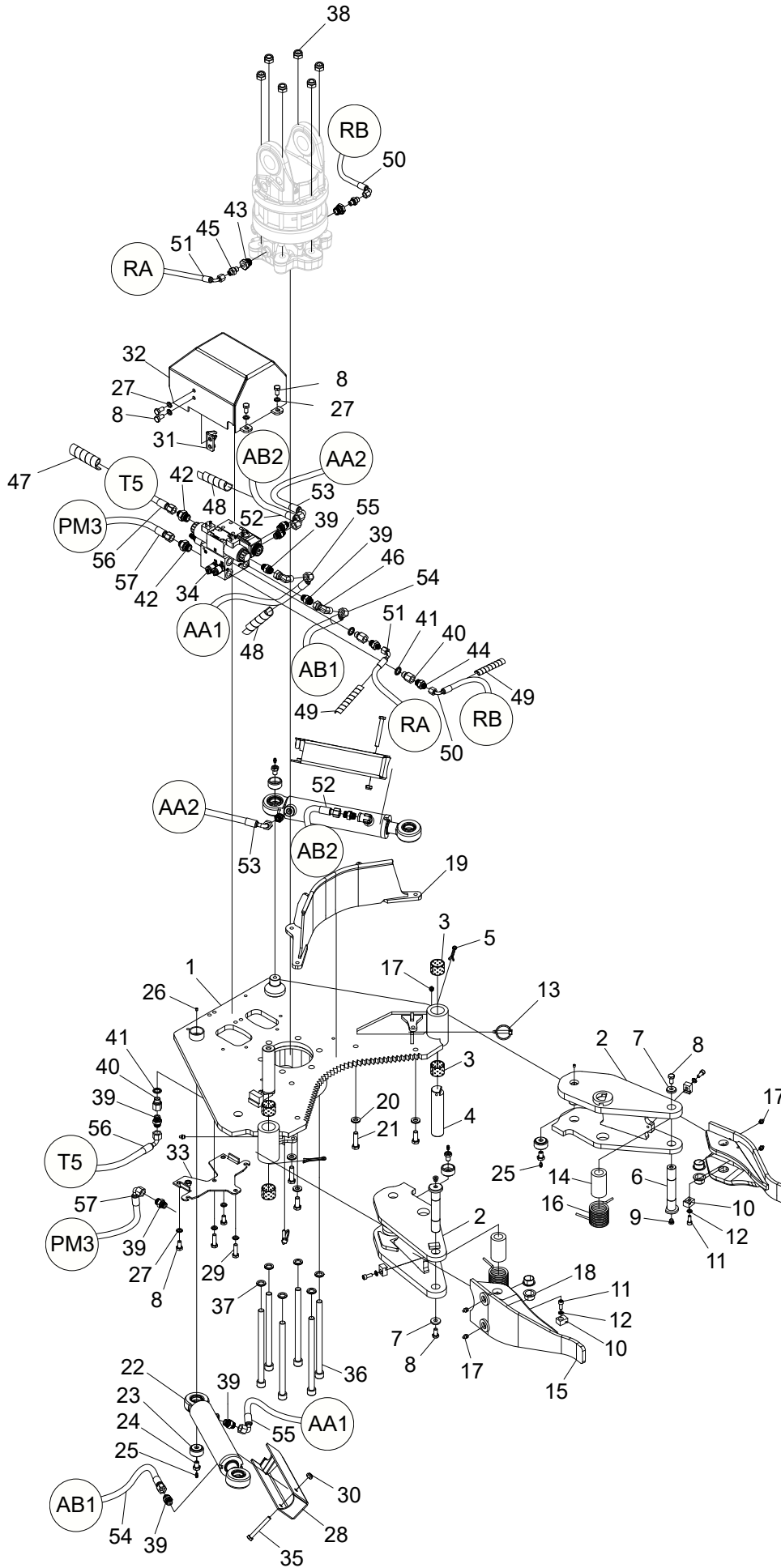
Manifold

Structure 017191				
Pos.	Part no.	Quantity	Description	Specification
1	619016	1	Pressure reducer valve	
2	601261	1	Test point	1/4"
3	612055	1	Directional valve	
4	501032	4	Screw	M5x35 12.9

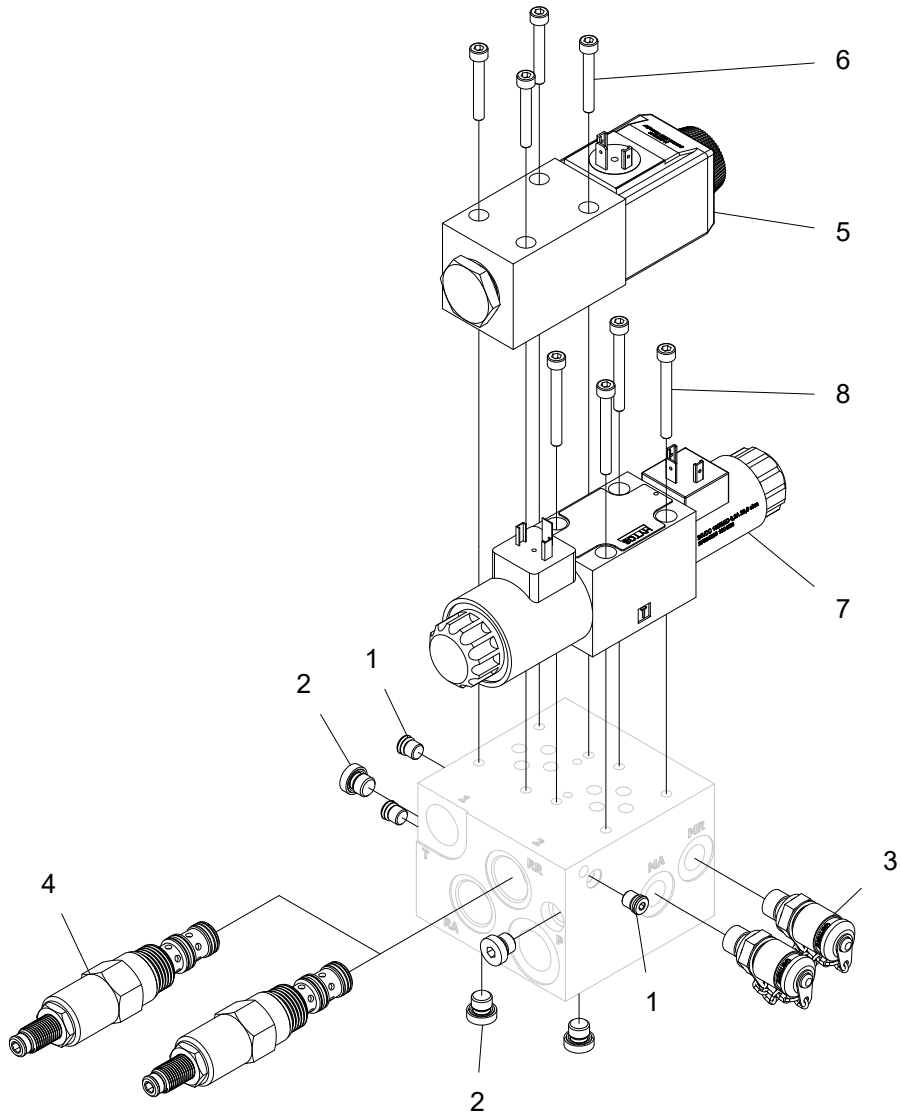


Multi stemming unit with rotator control

Structure 043631				
Pos.	Part no.	Quantity	Description	Specification
1	017155	1	Bracket	
2	017164	2	Inner arm	
3	512012	4	Bushing	35x30
4	017029	2	Pin	Ø35x156
5	516002	2	Cotter pin	6,3x50
6	017184	2	Pin	Ø25x145
7	503048	2	Washer	10,5x28x6
8	500066	8	Screw	M10x20 8.8 FZB
9	601000	2	Hex plug	1/8"
10	015079	4	Clamp	
11	501068	4	Screw	M8x20 12.9
12	503055	4	Washer	NL8
13	521007	2	Lock pin	Ø8
14	017163	2	Sleeve	
15	017180	2	Front arm	
16	015081	2	Spring	
17	625000	6	Grease nipple	1/8"
18	512005	4	Bushing	28x16
19	017178	1	Support plate	
20	503076	4	Washer	NL12 sp
21	500094	2	Screw	M12x30 8.8 FZB
22	017187	2	Hydraulic cylinder	
23	012410	4	Sleeve	
24	012650	4	Screw	M12
25	625004	4	Grease nipple	M6
26	513040	4	Screw	M6x6
27	503057	8	Washer	NL10
28	017186	2	Cover	
29	500070	2	Screw	M10x35 8.8 FZB
30	502055	2	Nut	M10
31	016666	1	Bracket	
32	017712	1	Cover	
33	017714	1	Support plate	

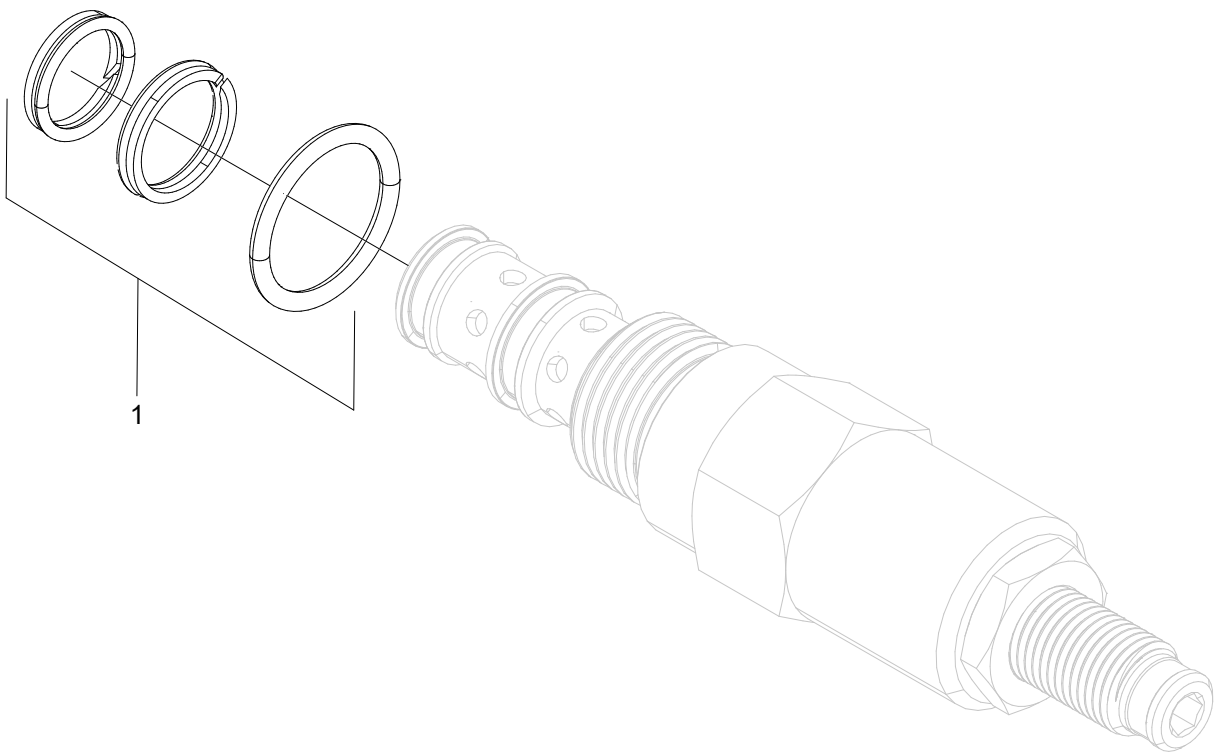


Structure 043631				
Pos.	Part no.	Quantity	Description	Specification
34	017615	1	Manifold	
35	500079	2	Screw	M10x80 8.8 FZB
36	501151	6	Screw	M16x250 12.9
37	503063	6	Washer	NL16
38	502705	6	Nut	M16
39	601754	10	Adapter	BSP 3/8" - 11/16" ORFS
40	602051	3	Adapter	3/8"
41	601102	3	Bonded seal	3/8"
42	601757	2	Adapter	BSP -08 - ORFS -06
43	602059	2	Adapter	1/2" - 1/4"
44	601753	2	Adapter	BSP 3/8" - 9/16" ORFS
45	601750	2	Adapter	BSP 1/4" - 9/16" ORFS
46	601726	2	Adapter	90 11/16" - 11/16" -16 ORFS
47	615050		Protective hose	1"
48	615049		Protective hose	3/4"
49	615055		Protective hose	1/2"
50	648072	1	Hydraulic hose	
51	648073	1	Hydraulic hose	
52	648074	1	Hydraulic hose	
53	648075	1	Hydraulic hose	
54	648076	1	Hydraulic hose	
55	648077	1	Hydraulic hose	
56	648071	1	Hydraulic hose	M12x45 8.8 FZB
57	648070	1	Hydraulic hose	M10x35 8.8 FZB
58	017615	1	Hydraulic hose	



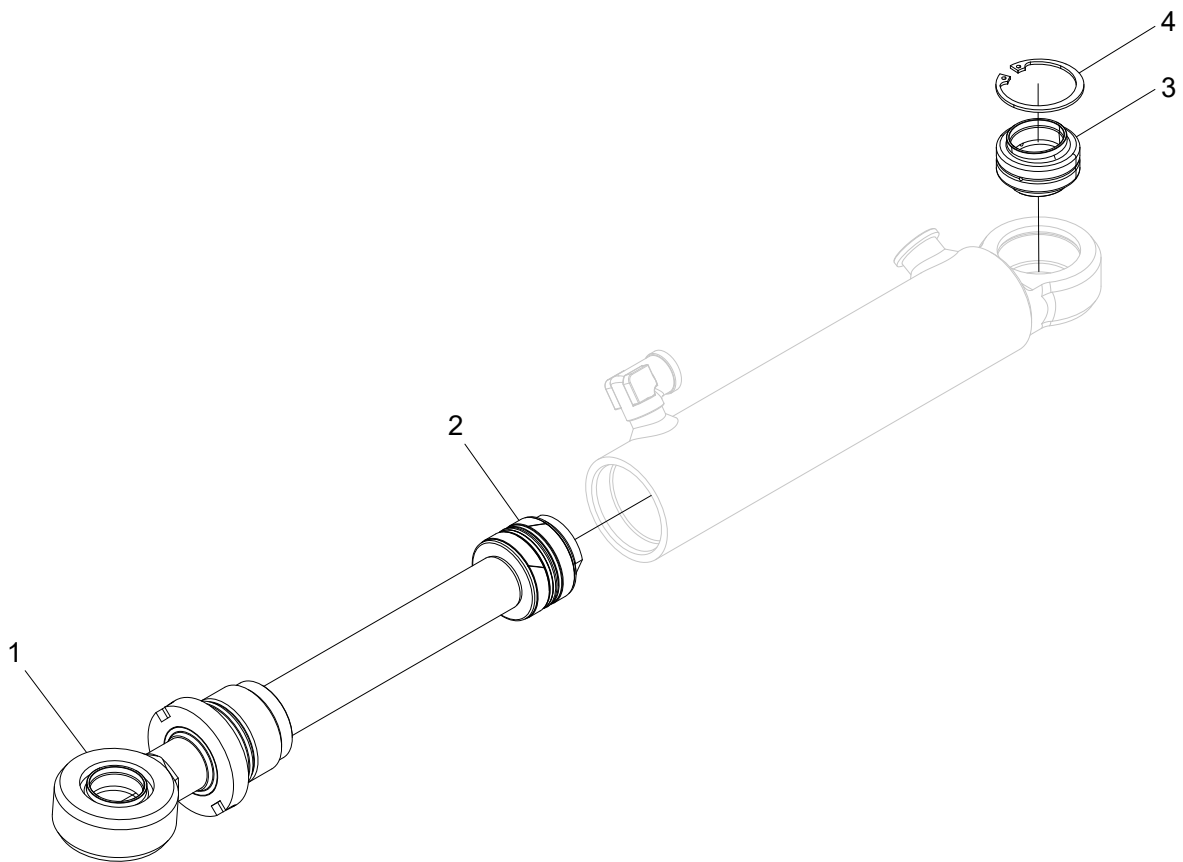
Manifold

Structure 017615				
Pos.	Part no.	Quantity	Description	Specification
1	601020	3	Plug	
2	601000	4	Hex plug	1/8"
3	601261	2	Test point	1/4"
4	619016	2	Pressure reducer valve	
5	612055	1	Directional valve	
6	501032	4	Screw	M5x35 12.9
7	612058	1	Directional valve	
8	501036	4	Screw	M5x45 12.9



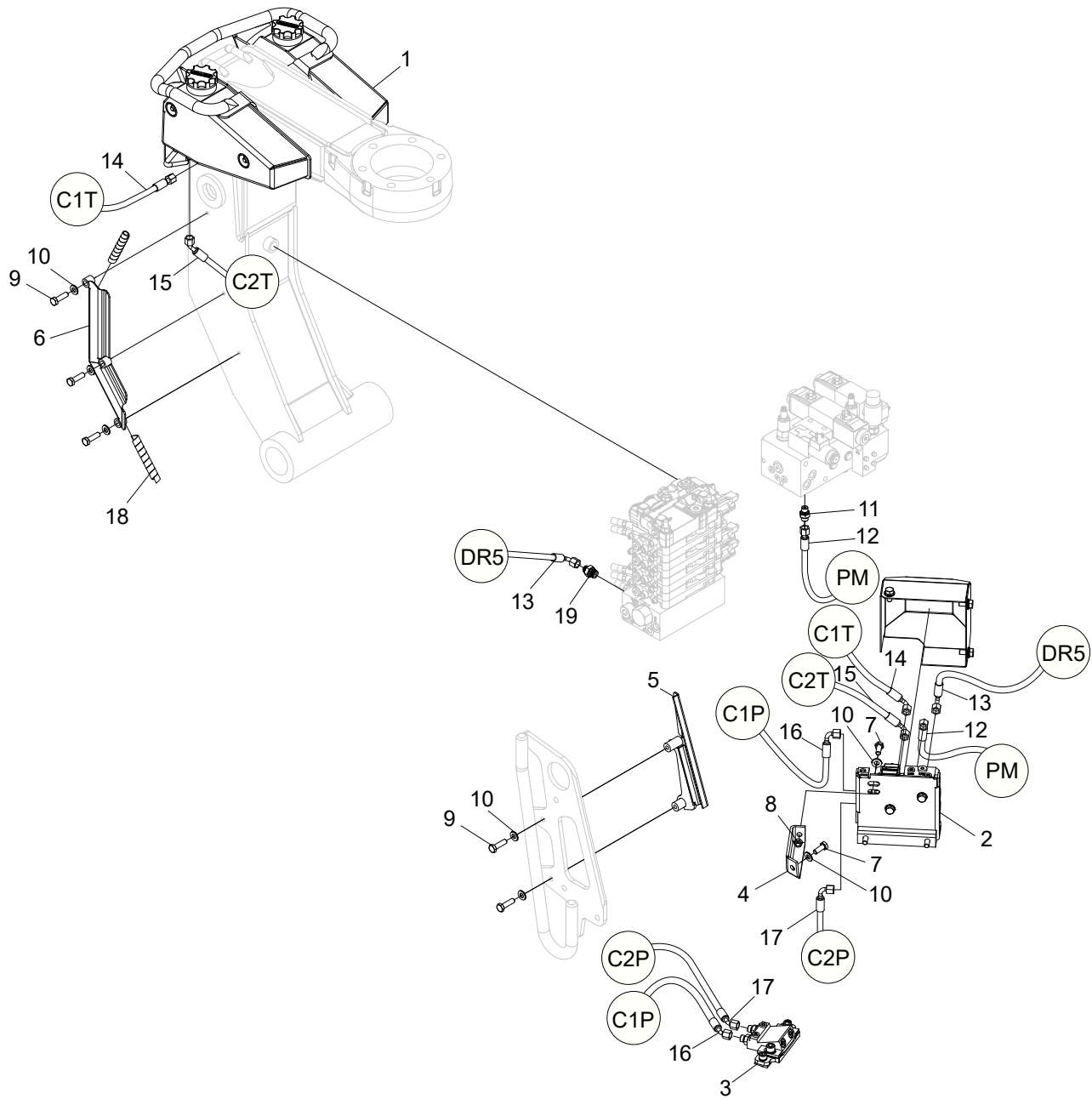
Pressure reducer valve

Structure 619016				
Pos.	Part no.	Quantity	Description	Specification
1	620352	1	Seal kit	



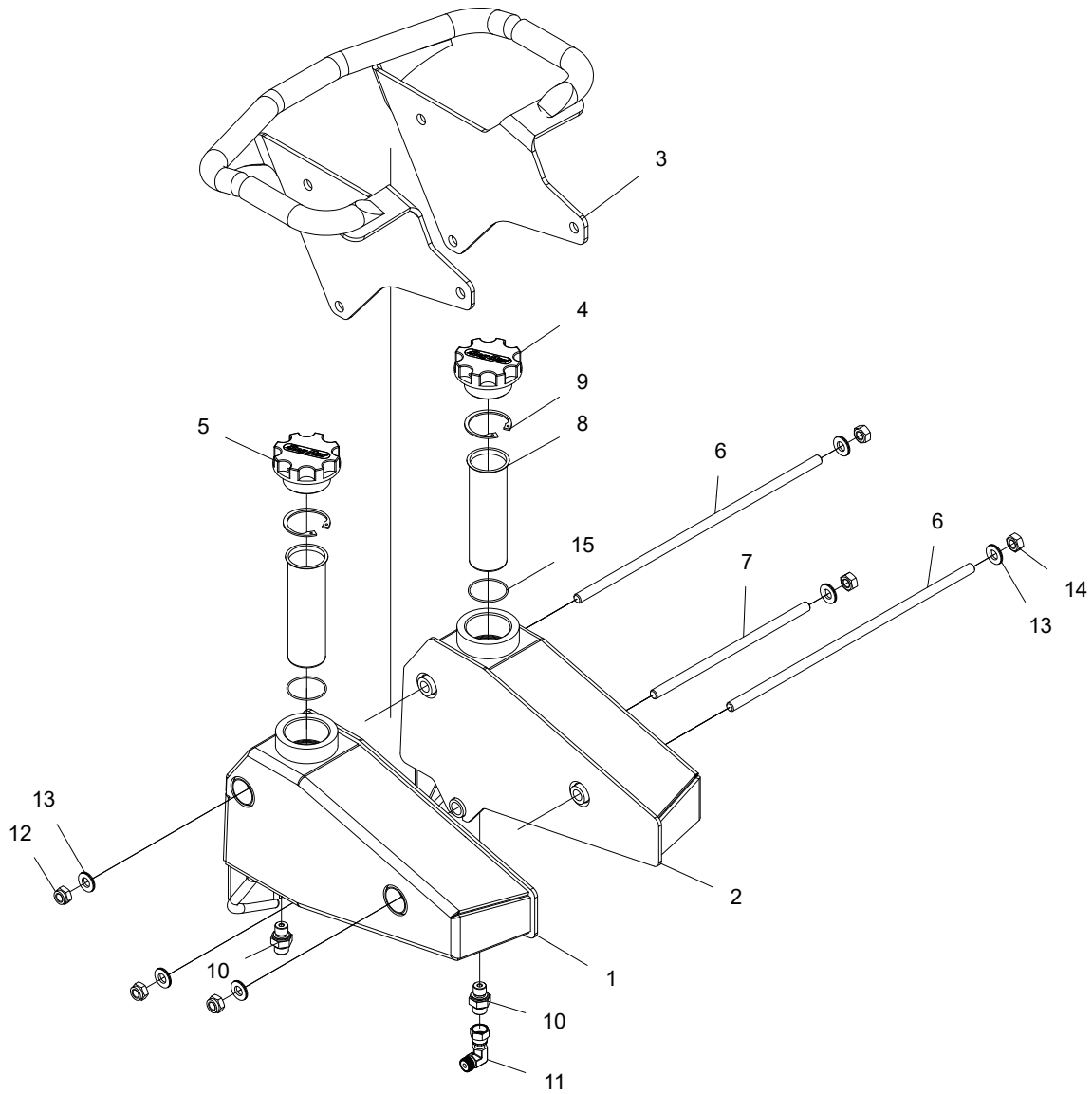
Hydraulic cylinder

Structure 017187				
Pos.	Part no.	Quantity	Description	Specification
1	013516-KIT	1	Rod kit	
2	620089	1	Seal kit	
3	510008	2	Spherical bushing	
4	517240	2	Circlip	



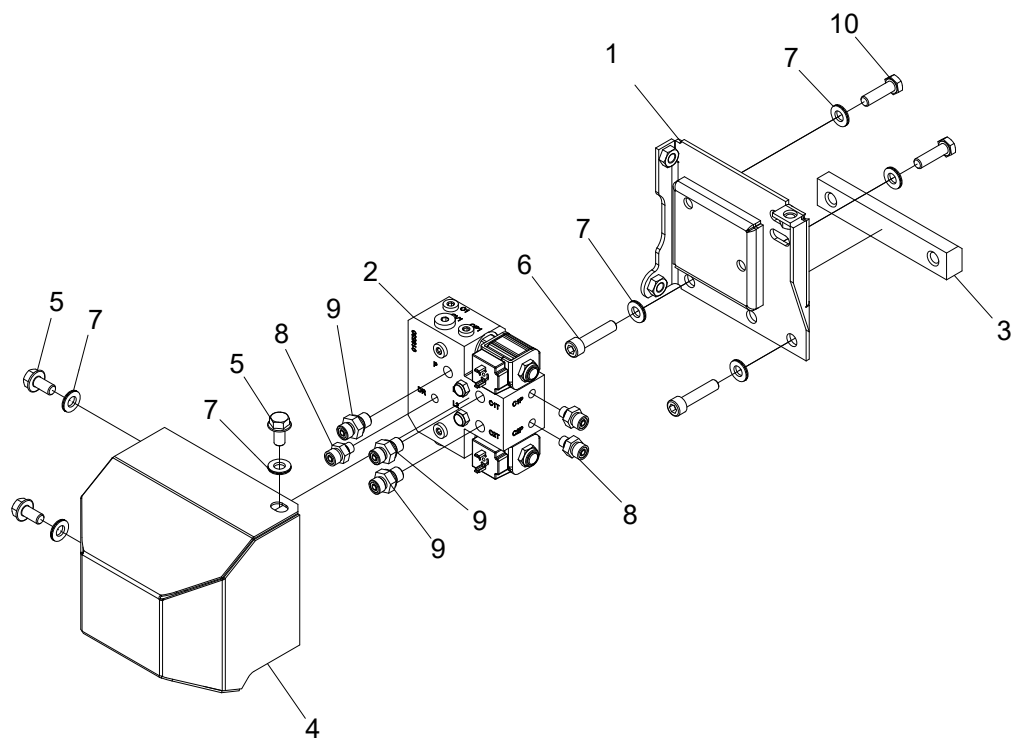
Color marking, assembly

Structure 043535				
Pos.	Part no.	Quantity	Description	Specification
1	018625	1	Color tank	
2	018627	1	Color pump	
3	018628	1	Color marking manifold	
4	016581	1	Bracket	
5	018200	1	Hose cover	
6	018210	1	Hose cover	
7	500068	2	Screw	M10x25 8.8 FZB
8	502055	1	Nut	M10
9	500070	5	Screw	M10x35 8.8 FZB
10	503075	7	Washer	NL10 sp
11	601750	1	Adapter	BSP 1/4"-9/16" ORFS
12	648020	1	Hydraulic hose	
13	648021	1	Hydraulic hose	
14	648022	1	Hydraulic hose	
15	648023	1	Hydraulic hose	
16	648024	1	Hydraulic hose	
17	648025	1	Hydraulic hose	
18	615055		Hose protection	1/2"
19	601753	1	Adapter	BSP 3/8" - 9/16" ORFS



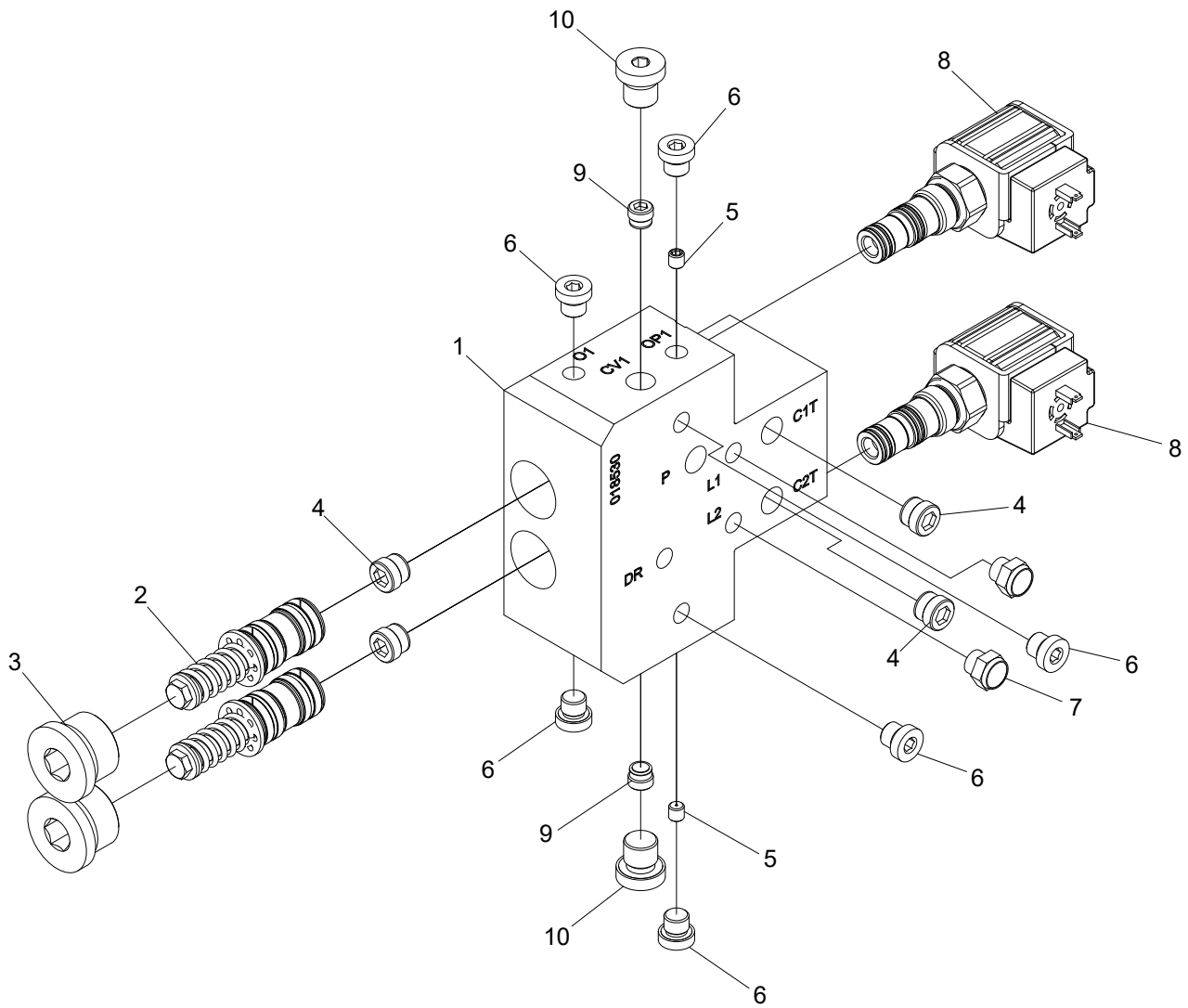
Color tank, assembly

Structure 018625				
Pos.	Part no.	Quantity	Description	Specification
1	018592	1	Right color tank	
2	018598	1	Left color tank	
3	018619	1	Protective bar	
4	017326	1	Filling cap, red	
5	017327	1	Filling cap, blue	
6	018626-346	2	Threaded rod	M10x346
7	018626-220	1	Threaded rod	M10x220
8	018591	2	Filter	
9	517238	2	Circlip	SGH 45
10	601750	2	Adapter	BSP 1/4"-9/16" ORFS
11	601727	1	Adapter	9/16"
12	502055	3	Nut	M10
13	503075	6	Washer	NL10 sp
14	502006	3	Nut	M10 FZB
15	540023	2	O-ring	37,1x1,6



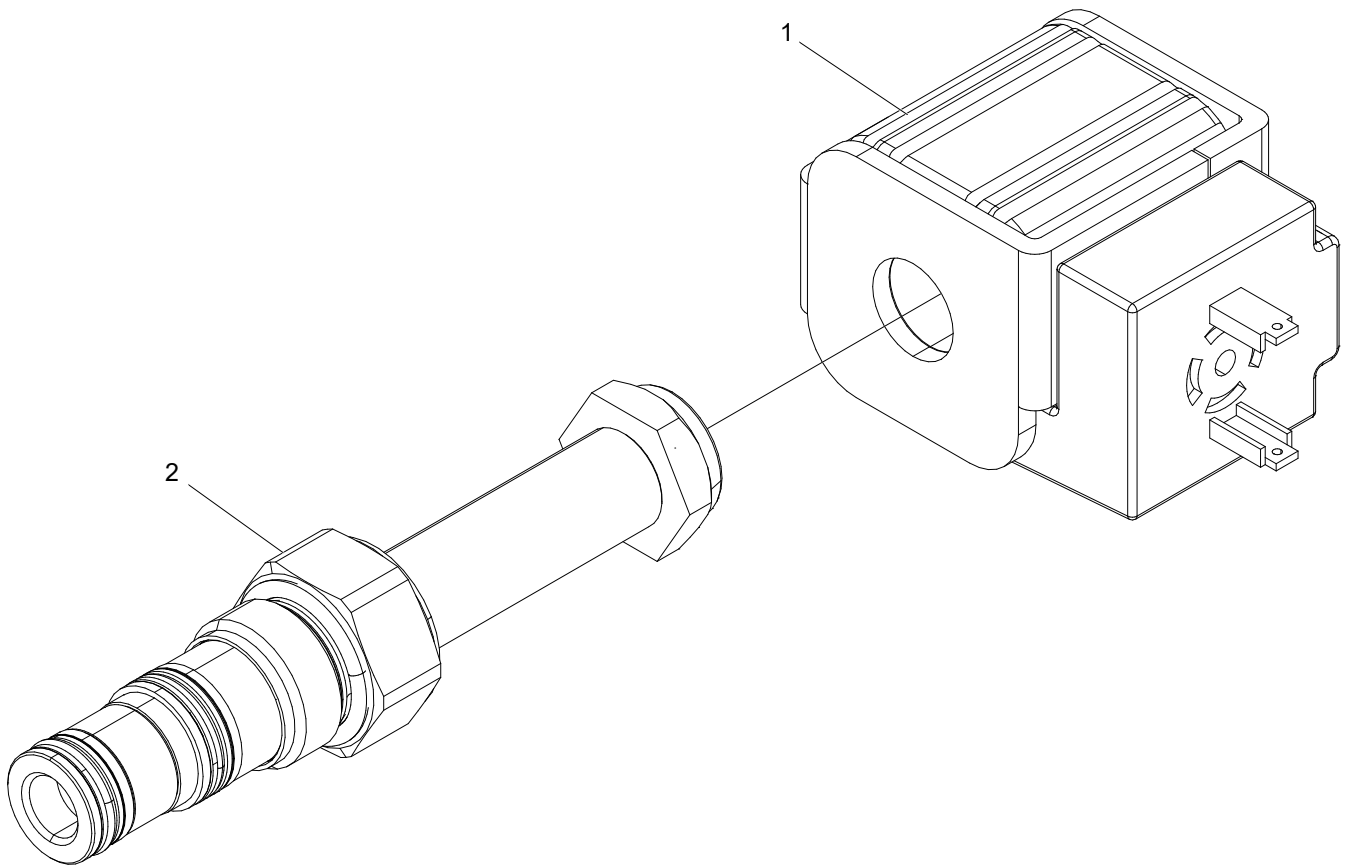
Color pump, assembly

Structure 018627				
Pos.	Part no.	Quantity	Description	Specification
1	018335	1	Bracket	
2	018531	1	Color pump	
3	016251	1	Spacer	
4	017734	1	Cover	
5	505083	3	Screw	M10x20 10.9
6	501093	2	Screw	M10x45 12.9
7	503075	7	Washer	NL10 sp
8	601749	3	Adapter	BSP 1/8"-9/16" ORFS
9	601750	3	Adapter	BSP 1/4"-9/16" ORFS
10	500070	2	Screw	M10x35 8.8 FZB



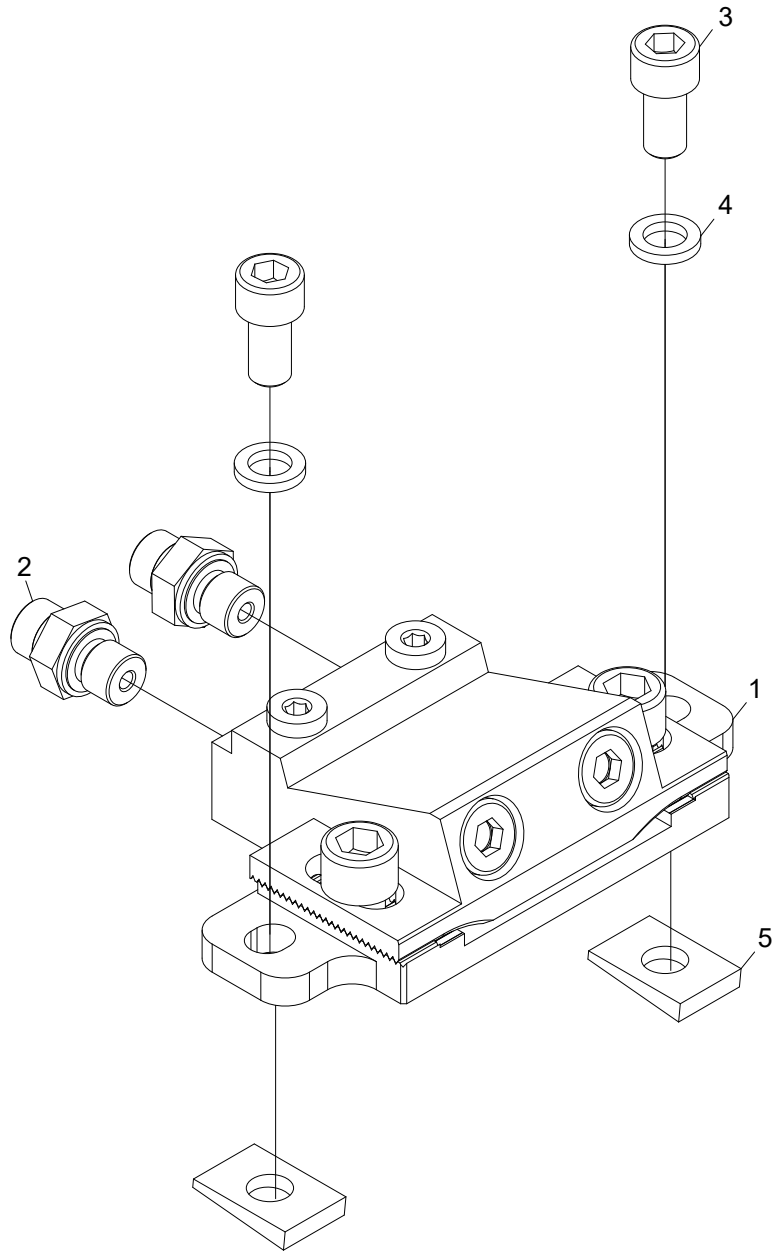
Color pump

Structure 018531				
Pos.	Part no.	Quantity	Description	Specification
1	018530	1	Pump housing	
2	018331	2	Piston	
3	601004	2	Hex plug	3/4"
4	617024	4	Check valve	
5	613014	2	Orifice	M6
6	601000	6	Hex plug	1/8"
7	602317	2	Filter plug	1/8"
8	612097	2	Directional valve	
9	617049	2	Check valve	
10	601001	2	Hex plug	1/4"



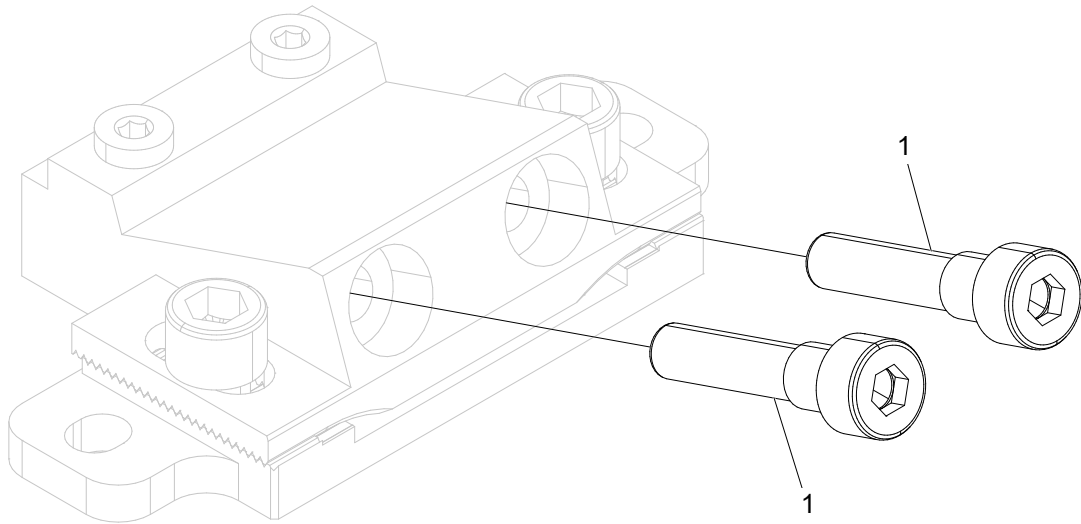
Directional valve

Structure 612097				
Pos.	Part no.	Quantity	Description	Specification
1	612094	1	Solenoid	
2	612093	1	Directional valve	
	554093	1	Seal kit	



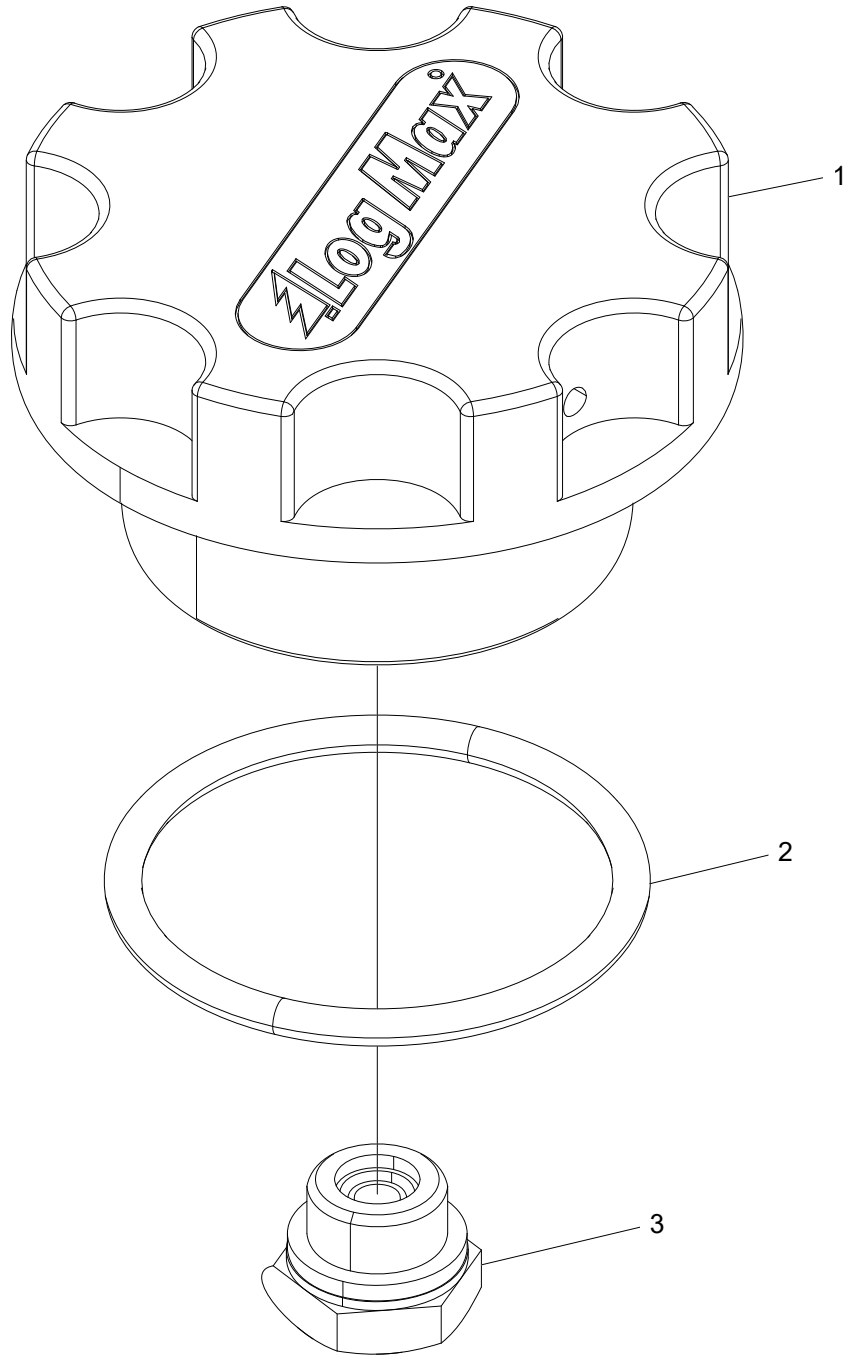
Color marking manifold, assembly

Structure 018628				
Pos.	Part no.	Quantity	Description	Specification
1	609074	1	Color marking manifold	
2	601750	2	Adapter	BSP 1/4"-9/16" ORFS
3	501087	2	Screw	M10x20 12.9
4	503057	2	Washer	NL10
5	016295	2	Wedge	



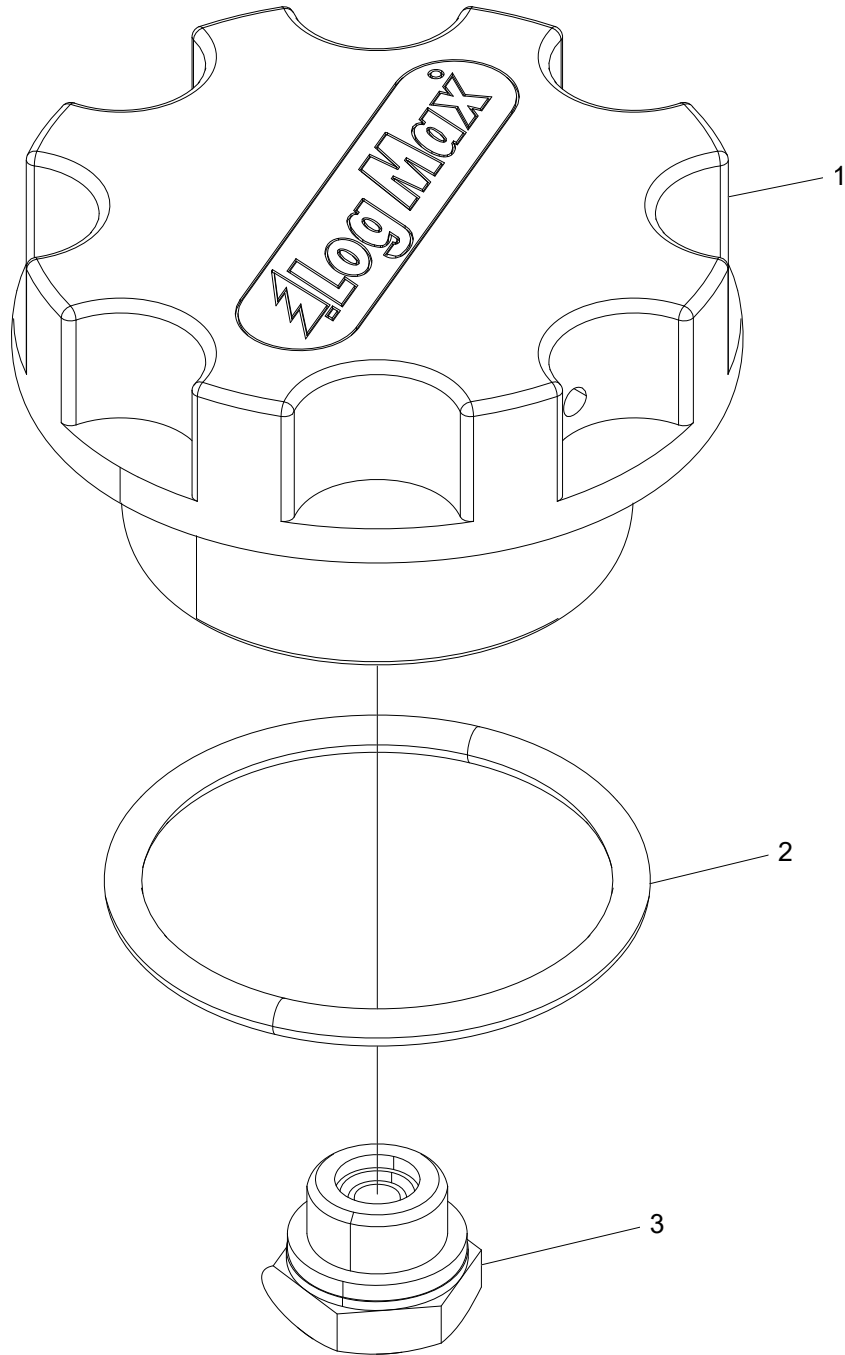
Color marking manifold

Structure 609074				
Pos.	Part no.	Quantity	Description	Specification
1	609076	2	Nozzle	



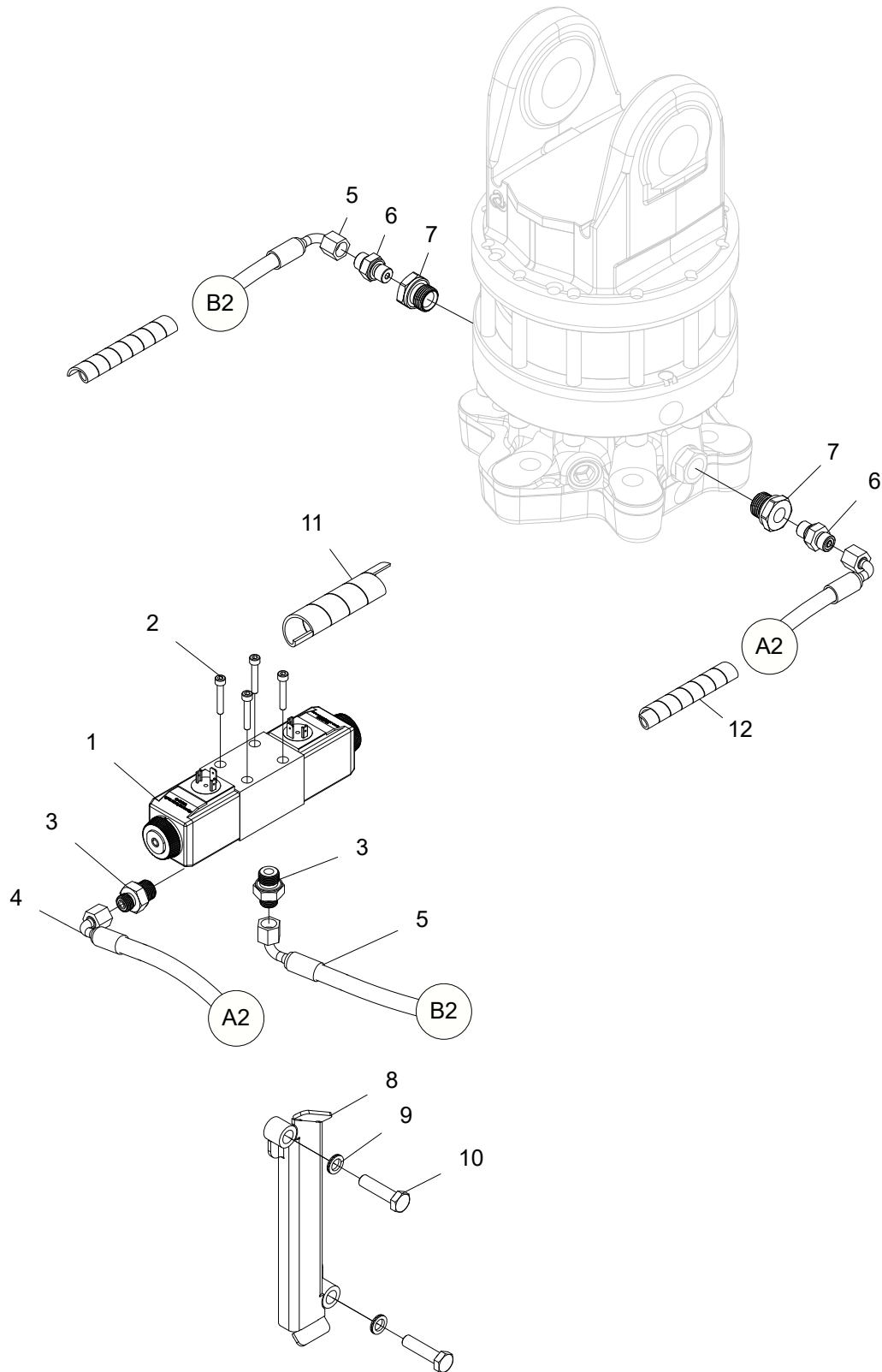
Filling cap, red

Structure 017326				
Pos.	Part no.	Quantity	Description	Specification
1	013786	1	Filling cap	
2	543028	1	O-ring	44,04x3,53
3	624018	1	Breather	1/4"



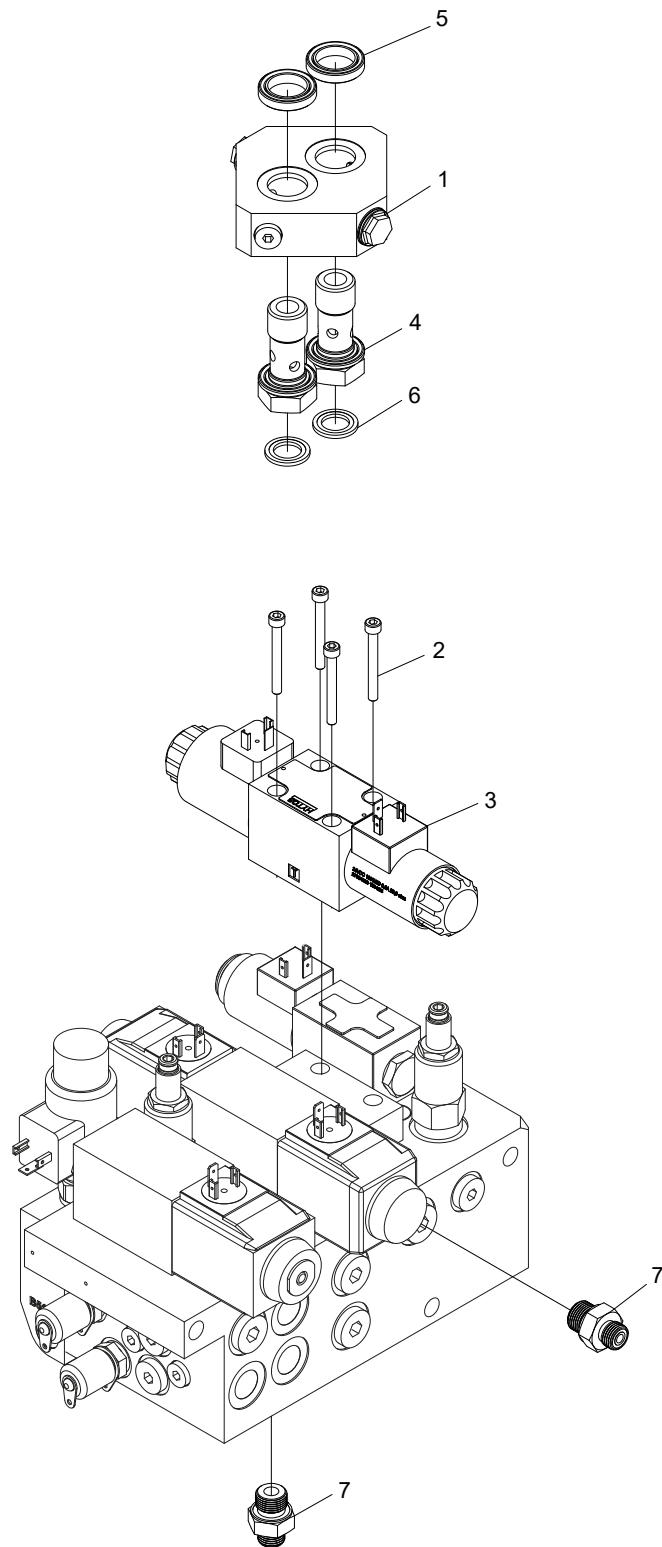
Filling cap, blue

Structure 017327				
Pos.	Part no.	Quantity	Description	Specification
1	013787	1	Filling cap	
2	543028	1	O-ring	44,04x3,53
3	624018	1	Breather	1/4"



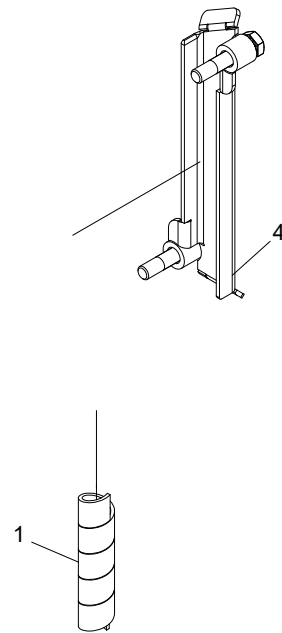
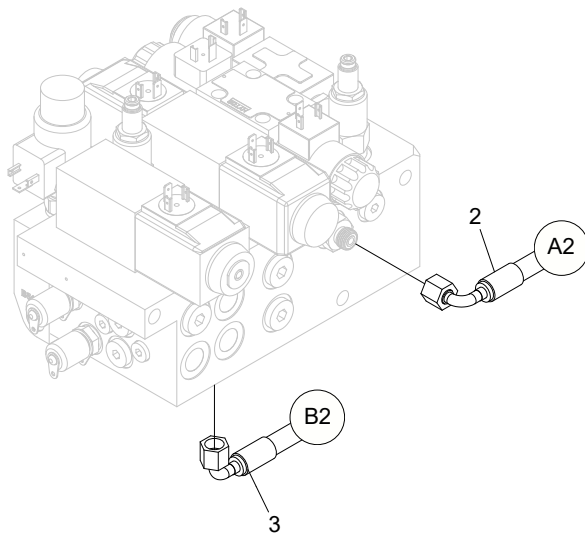
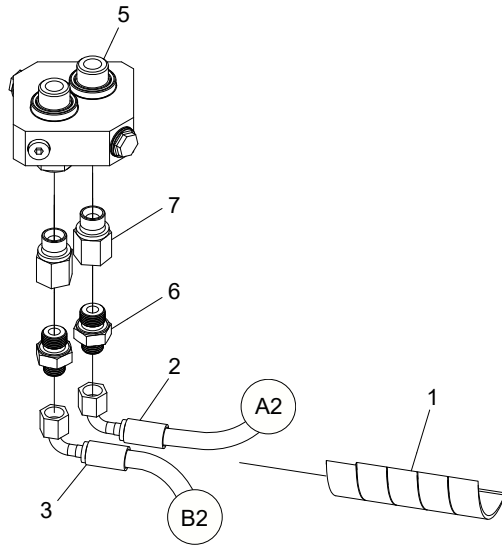
Rotator control

Structure 043640				
Pos.	Part no.	Quantity	Description	Specification
1	612029	1	Directional valve	
2	501031	4	Screw	M5x30 12.9
3	601753	2	Adapter	BSP 3/8"-9/16" ORFS
4	648103	1	Hydraulic hose	
5	648104	1	Hydraulic hose	
6	601750	2	Adapter	BSP 1/4"-9/16" ORFS
7	602059	2	Adapter	1/2"-1/4"
8	018220	1	Hose cover	
9	503057	2	Washer	NL10
10	500071	2	Screw	M10x40 8.8 FZB
11	615049		Hose cover	3/4"
12	615055		Hose cover	1/2"



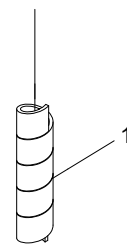
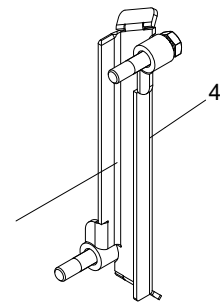
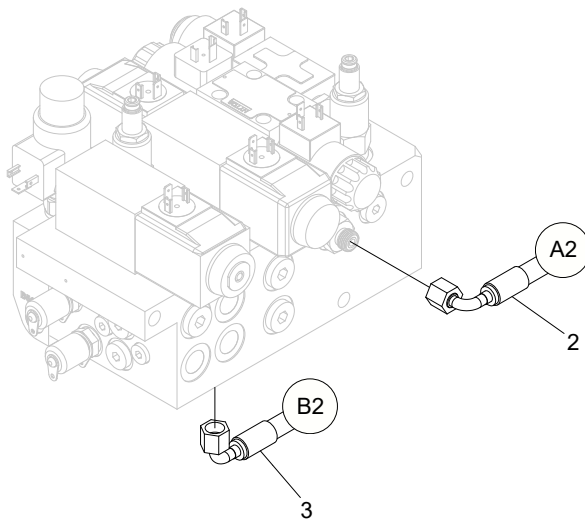
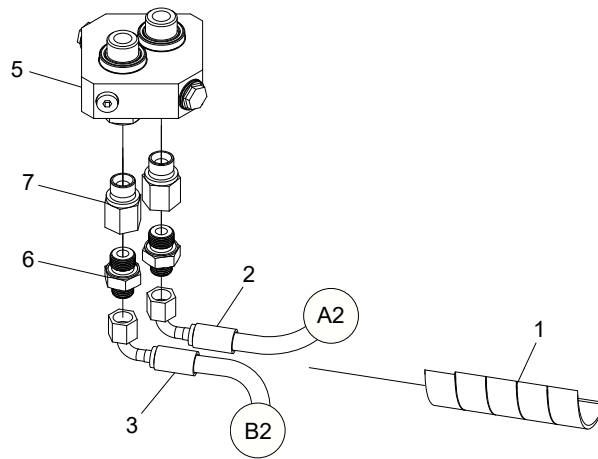
Rotator control, HX30

Structure 10000418				
Pos.	Part no.	Quantity	Description	Specification
1	022986	1	Manifold	
2	501036	4	Screw	M5x45 12.9
3	612058	1	Direcional valve	
4	022988	2	Adapter	
5	022990	2	Spacer	
6	601102	2	Bonded seal	3/8"
7	601753	2	Adapter	BSP -06/ ORFS -04



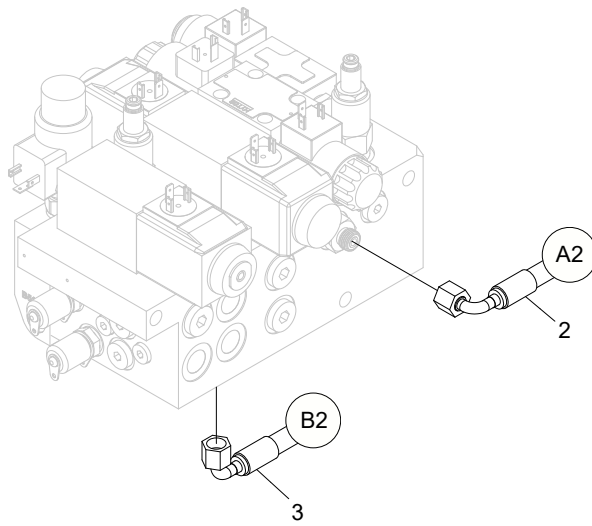
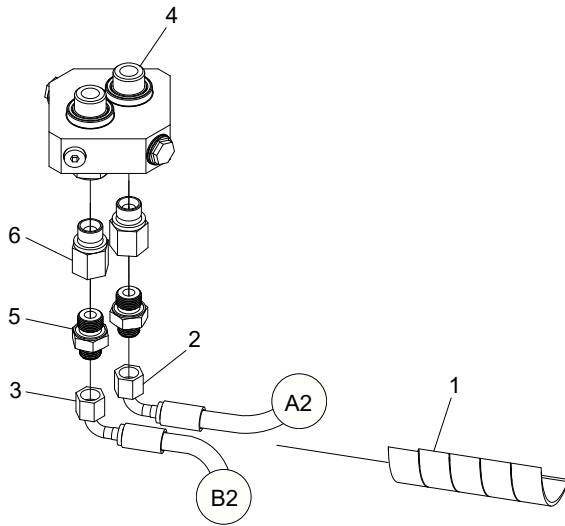
Rotator control, standard felling unit, HX30

Structure 10000419				
Pos.	Part no.	Quantity	Description	Specification
1	615049		Hose cover	3/4"
2	648133	1	Hydraulic hose	
3	648134	1	Hydraulic hose	
4	043650	1	Protection	
5	10000418	1	Rotator control	
6	601753	2	Adapter	BSP -06/ ORFS -04
7	602051	2	Adapter	BSP -06



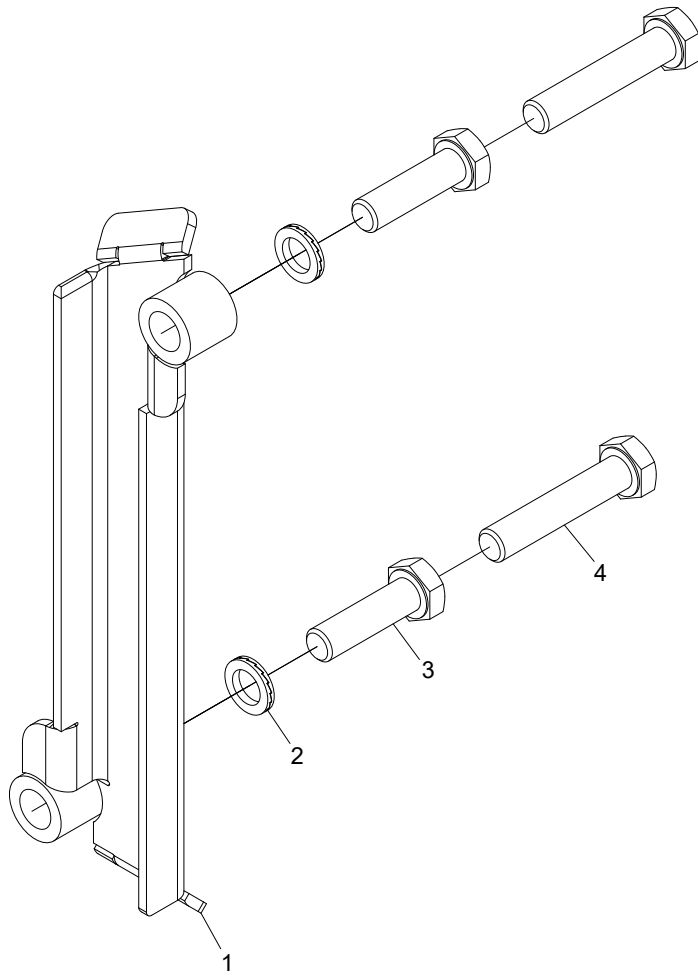
Rotator control, reinforced felling unit, HX30

Structure 10000420				
Pos.	Part no.	Quantity	Description	Specification
1	615049		Hose cover	3/4"
2	648135	1	Hydraulic hose	
3	648136	1	Hydraulic hose	
4	043650	1	Protection	
5	10000418	1	Rotator control	
6	601753	2	Adapter	BSP -06/ ORFS -04
7	602051	2	Adapter	BSP -06



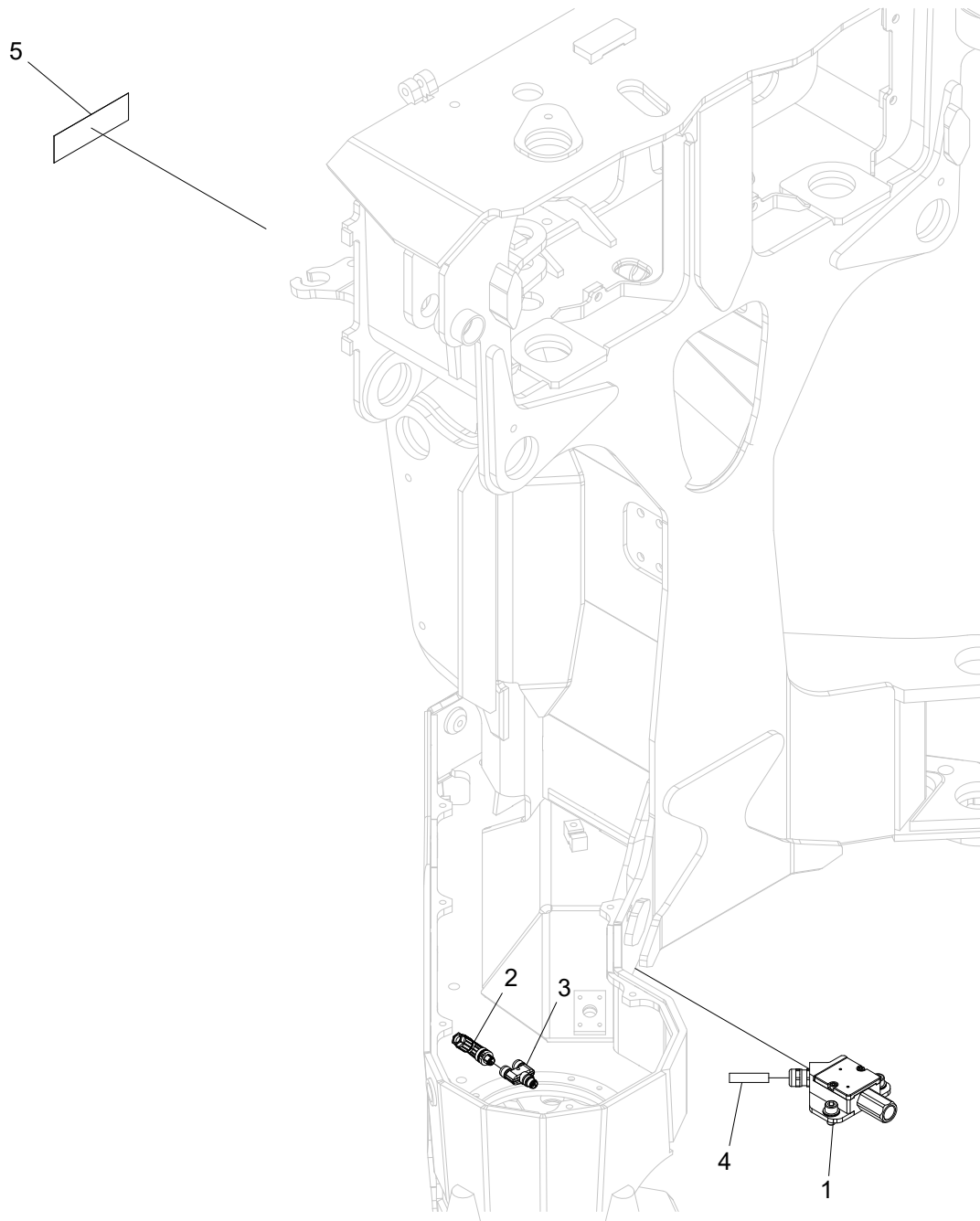
Rotator control, molded felling unit, HX30

Structure 10000421				
Pos.	Part no.	Quantity	Description	Specification
1	615049		Hose cover	3/4"
2	648137	1	Hydraulic hose	
3	648138	1	Hydraulic hose	
4	10000418	1	Rotator control	
5	601753	2	Adapter	BSP -06/ ORFS -04
6	602051	2	Adapter	BSP -06



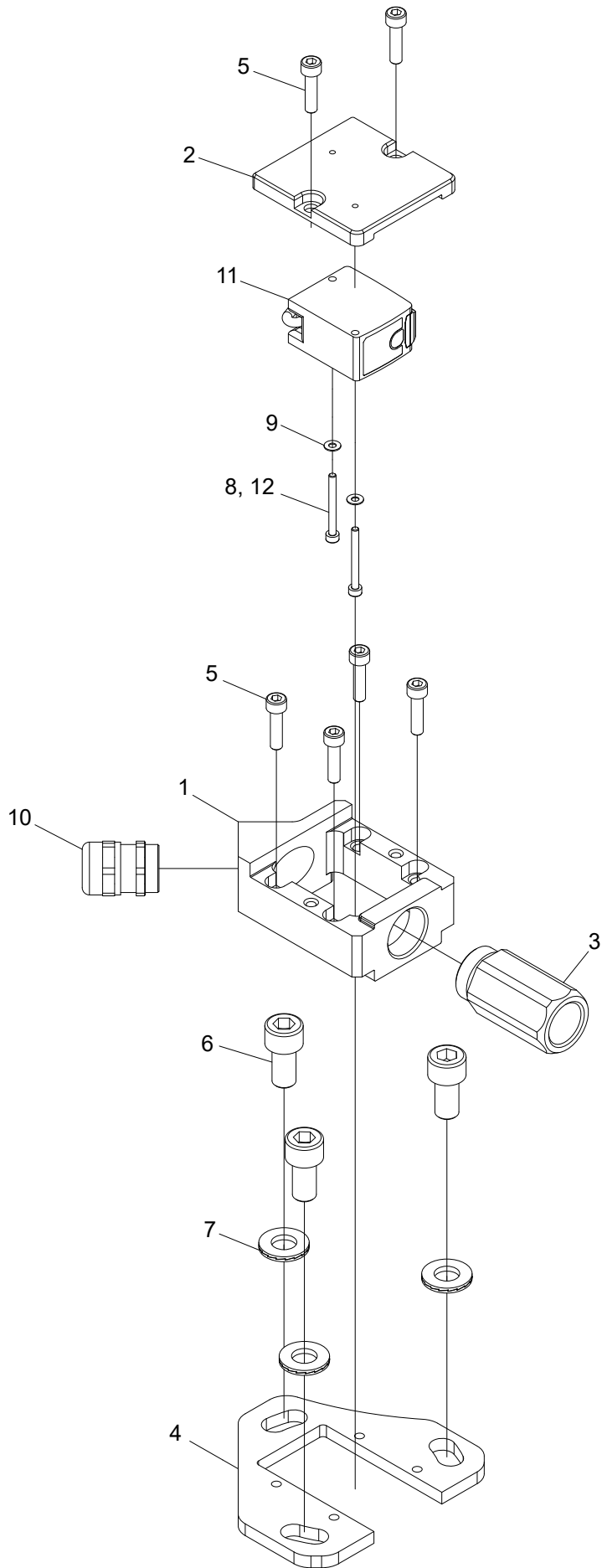
Protection

Structure 043650				
Pos.	Part no.	Quantity	Description	Specification
1	018220	1	Cover	
2	503057	2	Washer	NL10
3	500070	2	Screw	M10x35 8.8 FZB
4	500073	2	Screw	M10x50 8.8 FZB



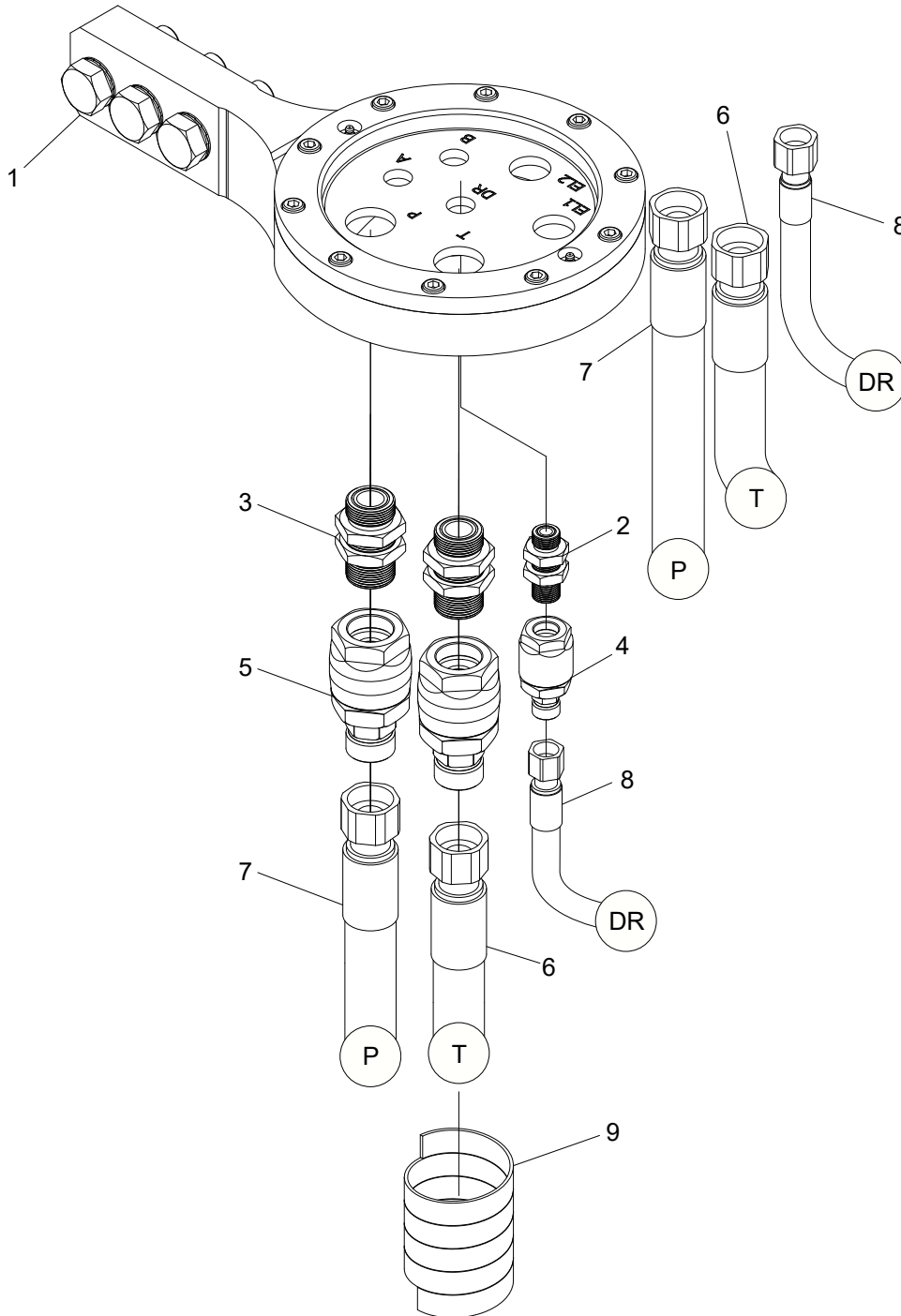
Find End kit

Structure 046351				
Pos.	Part no.	Quantity	Description	Specification
1	018676	1	Find End	
2	402315	1	Cable housing	
3	402314	1	Y-connector	
4	648129	1	Protective hose	
5	519192	1	Decal	



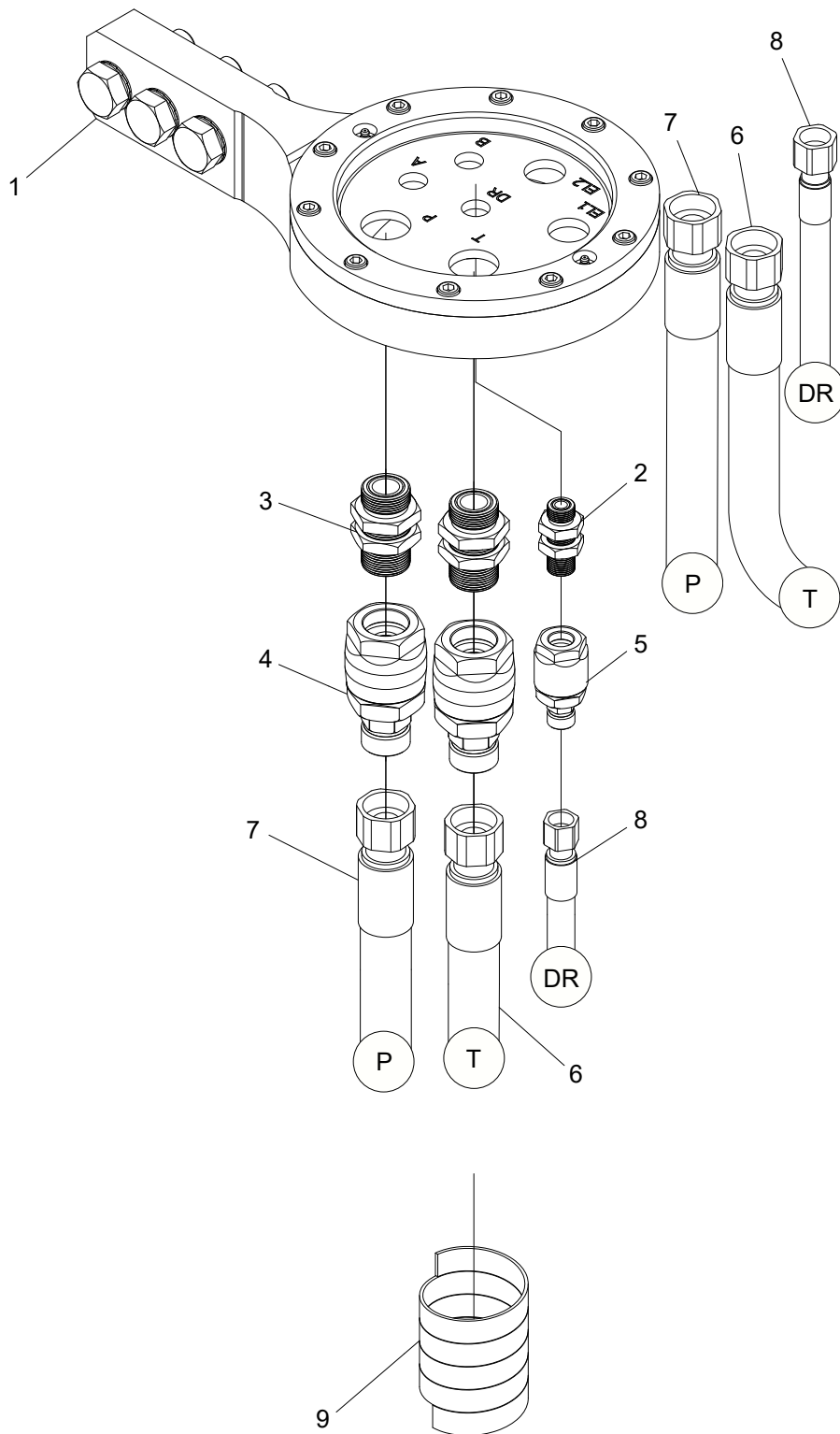
Find End

Structure 018676				
Pos.	Part no.	Quantity	Description	Specification
1	018670	1	Housing	
2	018671	1	Cover	
3	018679	1	Cover	
4	018673	1	Bracket	
5	501029	6	Screw	M5x20 12.9
6	501087	3	Screw	M10x20 12.9
7	503075	3	Washer	NL10 sp
8	501004	2	Screw	M3x30 12.9
9	503001	2	Washer	3,2x7x0,5 FZB
10	401152	1	Bulkhead	M20x1,5
11	401320	1	Laser sensor	
12			Loctite	243



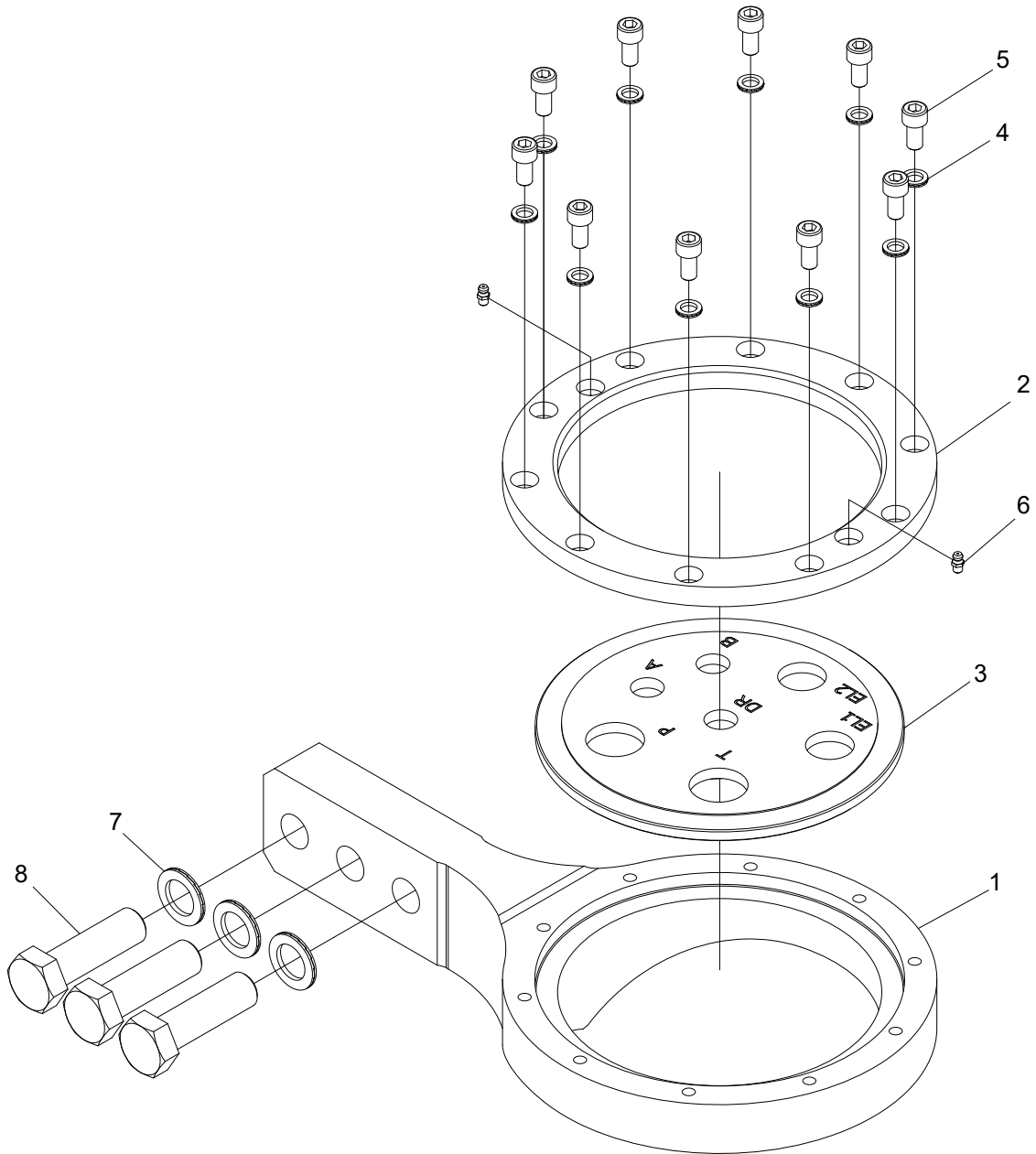
Hose holder, reinforced felling link

Structure 043546				
Pos.	Part no.	Quantity	Description	Specification
1	018638	1	Hose holder	
2	601782	1	Bulkhead	ORFS -12
3	601784	2	Bulkhead	ORFS -16
4	618092	1	Swivel	ORFS -12
5	618094	2	Swivel	ORFS -16
6	648108	1	Hydraulic hose	
7	648107	1	Hydraulic hose	
8	648109	1	Hydraulic hose	
9	615052		Hose protection	3"



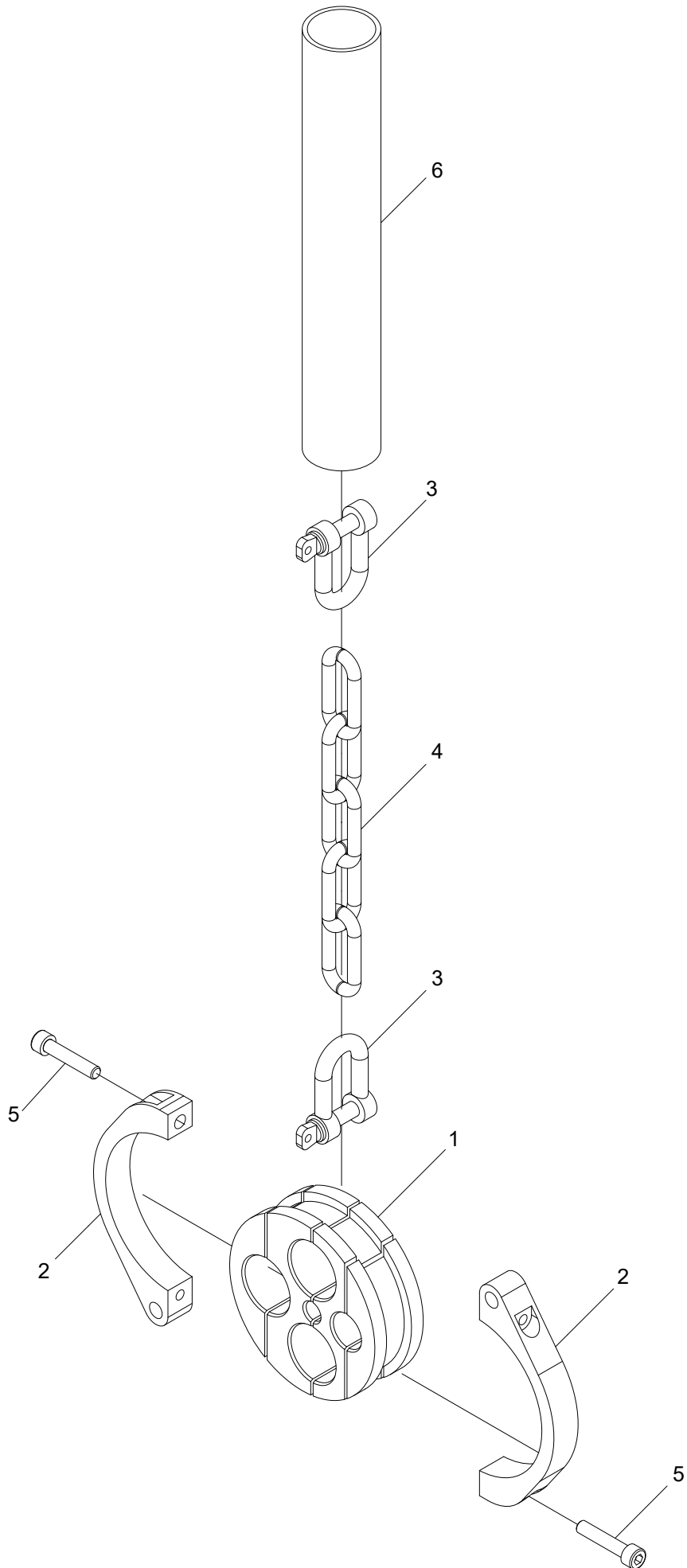
Hose holder, molded felling link

Structure 043581				
Pos.	Part no.	Quantity	Description	Specification
1	018638	1	Hose holder	
2	601782	1	Bulk head	ORFS -08
3	601784	2	Bulk head	ORFS -16
5	618092	1	Swivel	ORFS -08
4	618094	2	Swivel	ORFS -16
6	648121	1	Hydraulic hose	
7	648120	1	Hydraulic hose	
8	648122	1	Hydraulic hose	
9	615052		Hose protection	3"



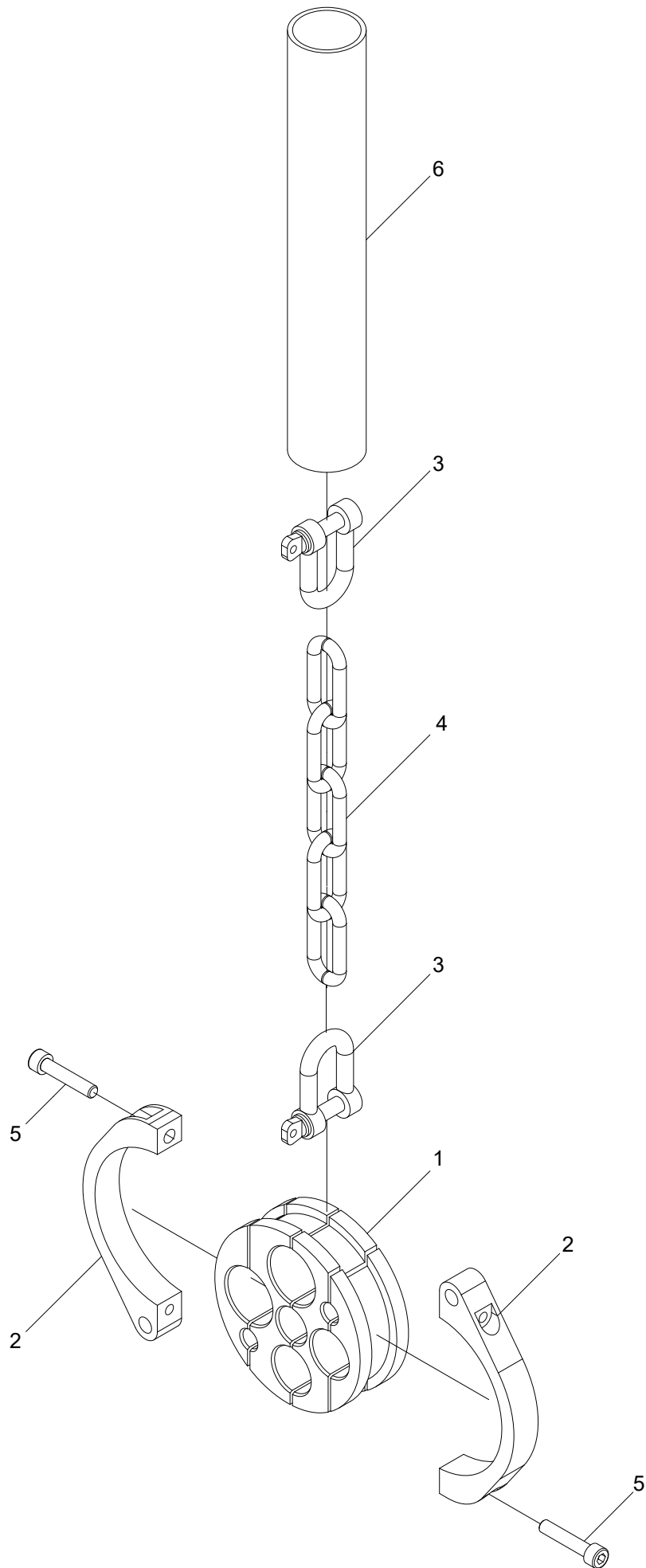
Hose holder

Structure 018638				
Pos.	Part no.	Quantity	Description	Specification
1	018640	1	Arm	
2	018641	1	Locking plate	
3	018642	1	Adapter plate	
4	503057	10	Washer	NL10
5	501087	10	Screw	M10x20 12.9
6	625004	2	Grease nipple	M6
7	503072	3	Washer	NL24
8	505045	3	Screw	M24x80 10.9



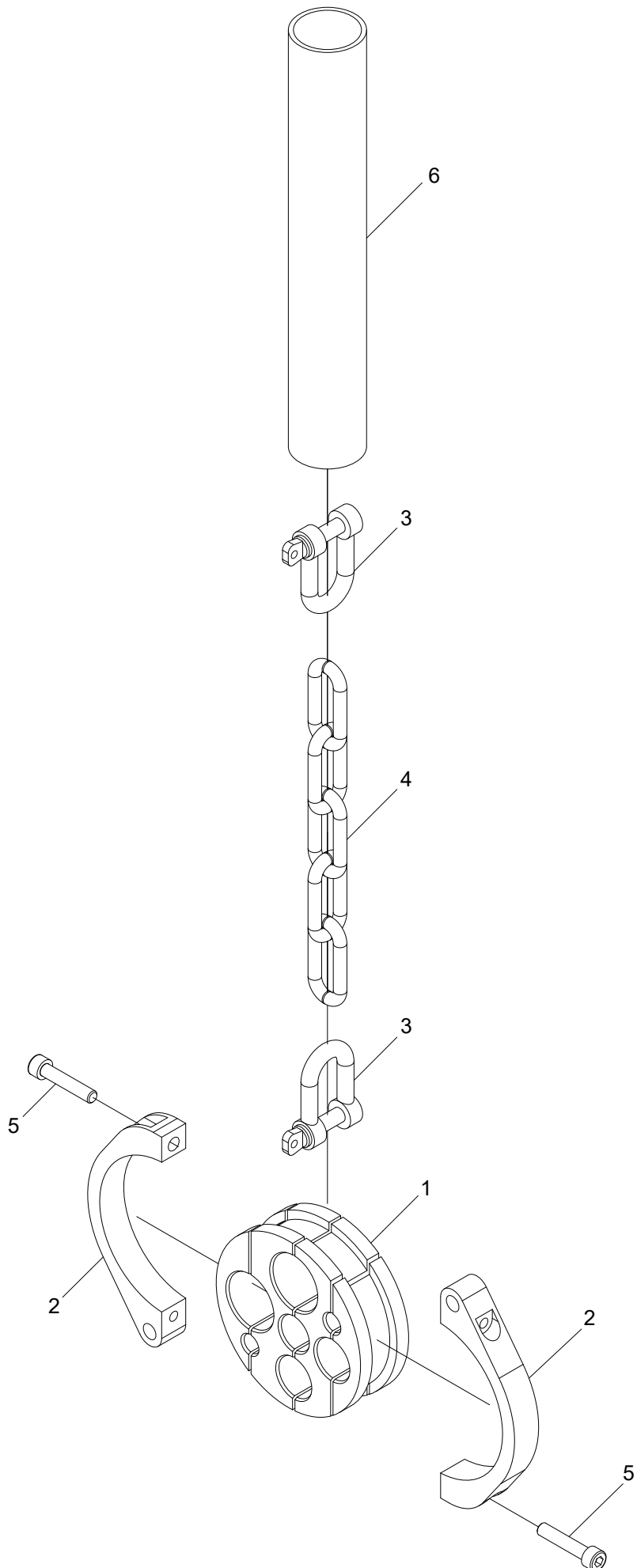
Hose holder, Komatsu with interface

Structure 013522				
Pos.	Part no.	Quantity	Description	Specification
1	013523	1	Bracket	
2	012949	2	Clamp	
3	523052	2	Schackle	3/8"
4	013771	1	Chain	
5	501073	2	Screw	M8x40 12.9
6	615046	1	Hose cover	300 mm



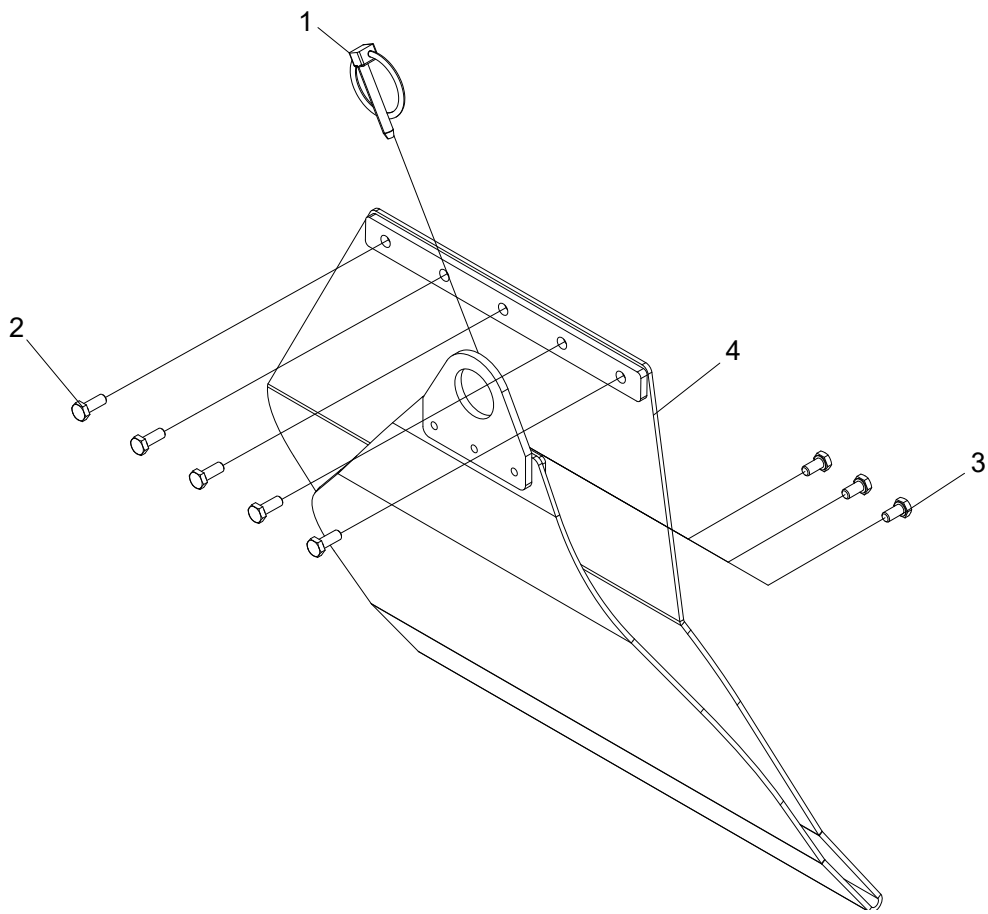
Hose holder, Ecolog

Structure 013939				
Pos.	Part no.	Quantity	Description	Specification
1	013937	1	Bracket	
2	012949	2	Clamp	
3	523052	2	Schackle	3/8"
4	013771	1	Chain	
5	501073	2	Screw	M8x40 12.9
6	615046	1	Hose cover	300 mm



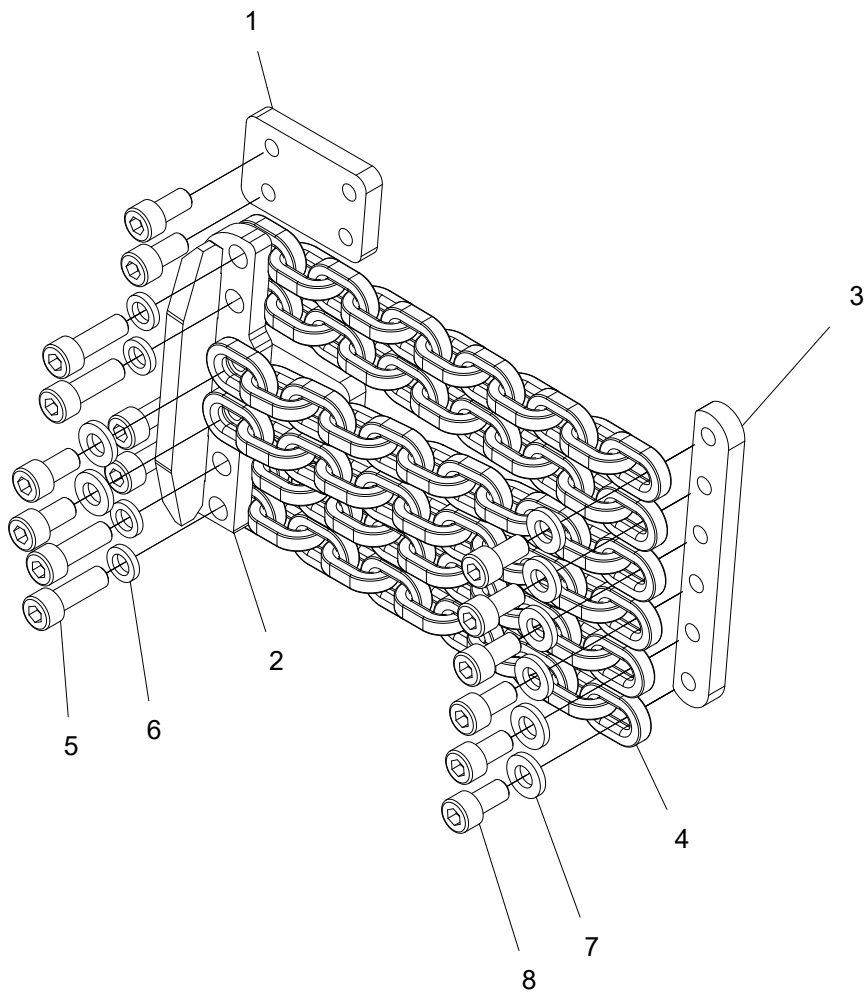
Hose holder, Rottne

Structure 018067				
Pos.	Part no.	Quantity	Description	Specification
1	018063	1	Bracket	
2	012949	2	Clamp	
3	523052	2	Schackle	3/8"
4	013771	1	Chain	
5	501073	2	Screw	M8x40 12.9
6	615046	1	Hose cover	300 mm



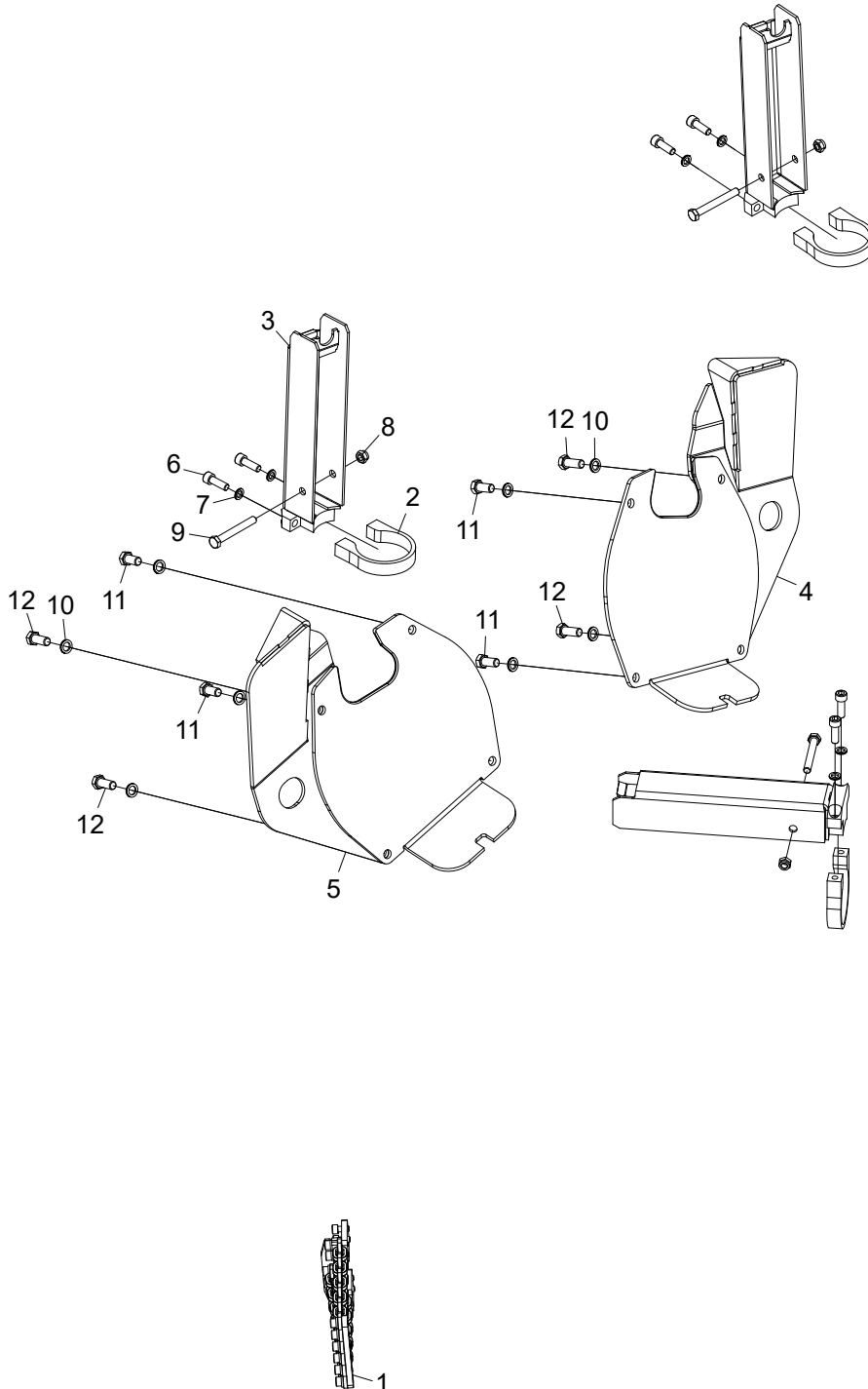
Rubber cover

Structure 033732				
Pos.	Part no.	Quantity	Description	Specification
1	521003	1	Ring pin	Ø6
2	500023	5	Screw	M6x16 8.8 FZB
3	500021	3	Screw	M6x12 8.8 FZB
4	014050	1	Rubber blanket	



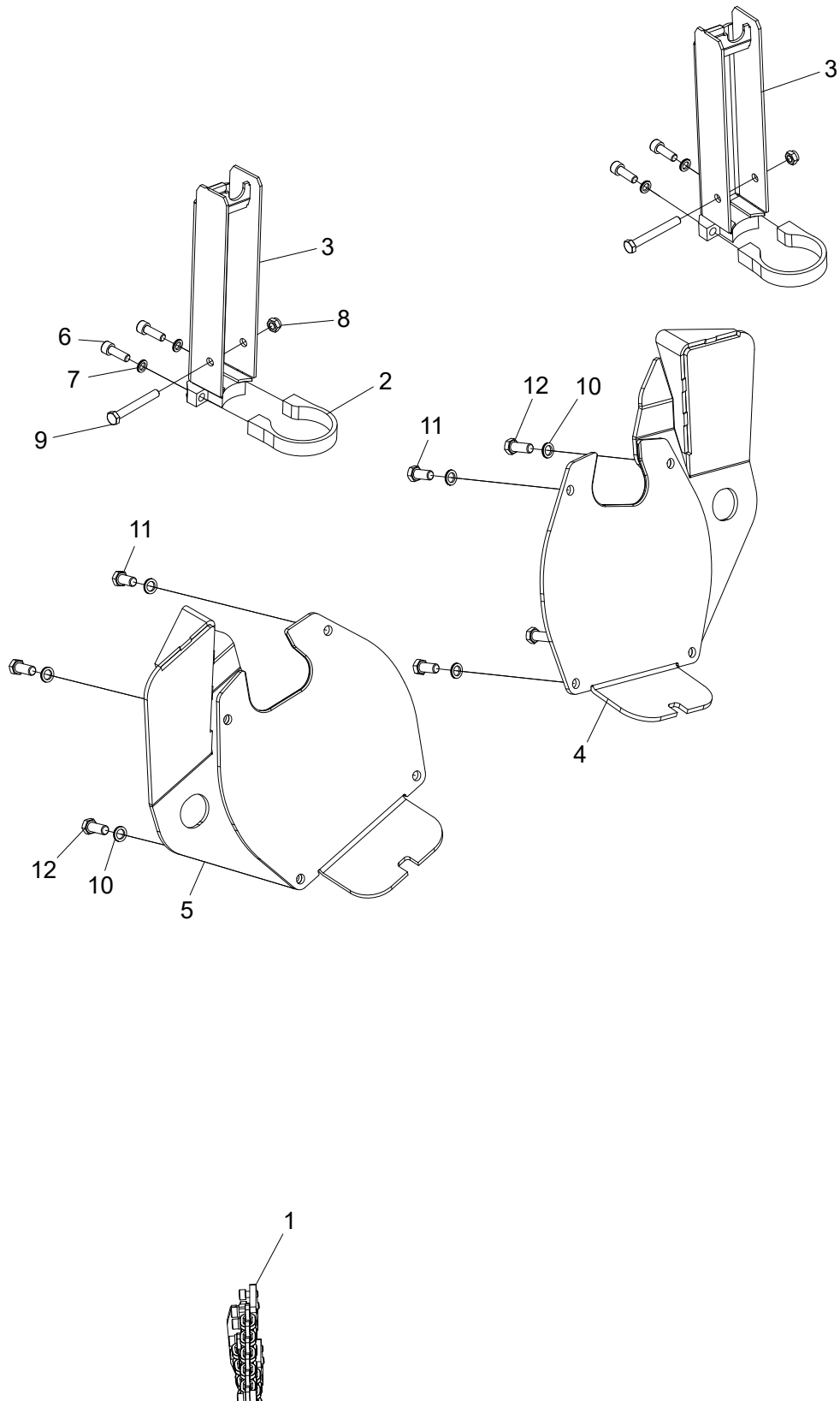
Saw dust cover

Structure 018056				
Pos.	Part no.	Quantity	Description	Specification
1	018055	2	Inner plate	
2	018054	1	Inner strip	
3	016776	1	Outer plate	
4	523002	6	Chain	
5	501070	4	Screw	M8x25
6	503055	4	Washer	NL8
7	503074	8	Washer	NL8 sp
8	501067	12	Screw	M8x16



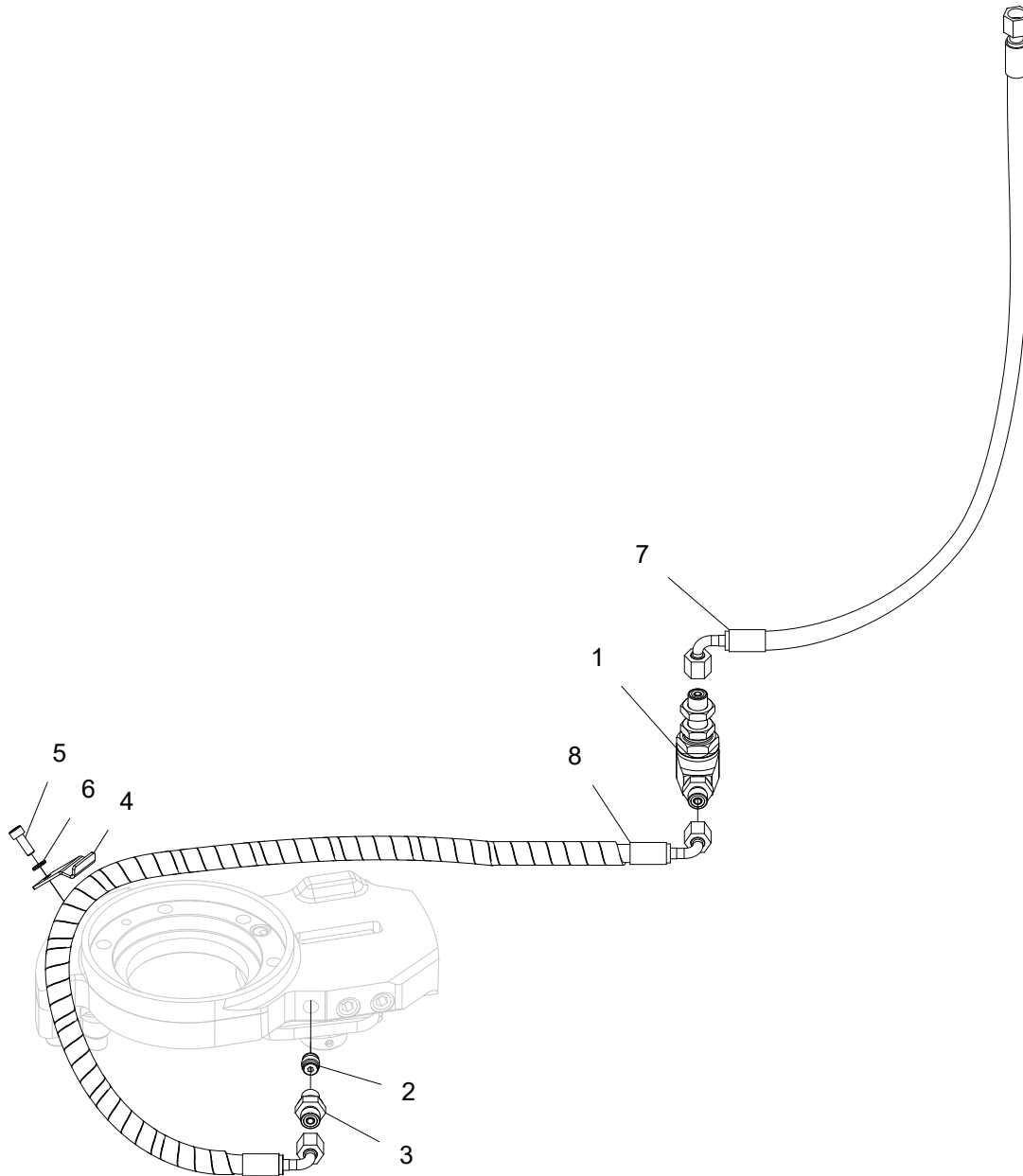
Heavy duty kit

Structure 043484				
Pos.	Part no.	Quantity	Description	Specification
1	018056	1	Saw dust cover	
2	016253	3	Clamp	
3	016257	3	Cover	
4	016818	1	Cover	
5	016819	1	Cover	
6	501090	6	Screw	M10x30 12.9
7	503057	6	Washer	NL10
8	502055	3	Nut	M10
9	500079	3	Screw	M10x80 8.8 FZB
10	503060	8	Washer	NL12
11	500090	4	Screw	M12x25 8.8 FZB
12	500091	4	Screw	M12x30 8.8 FZB



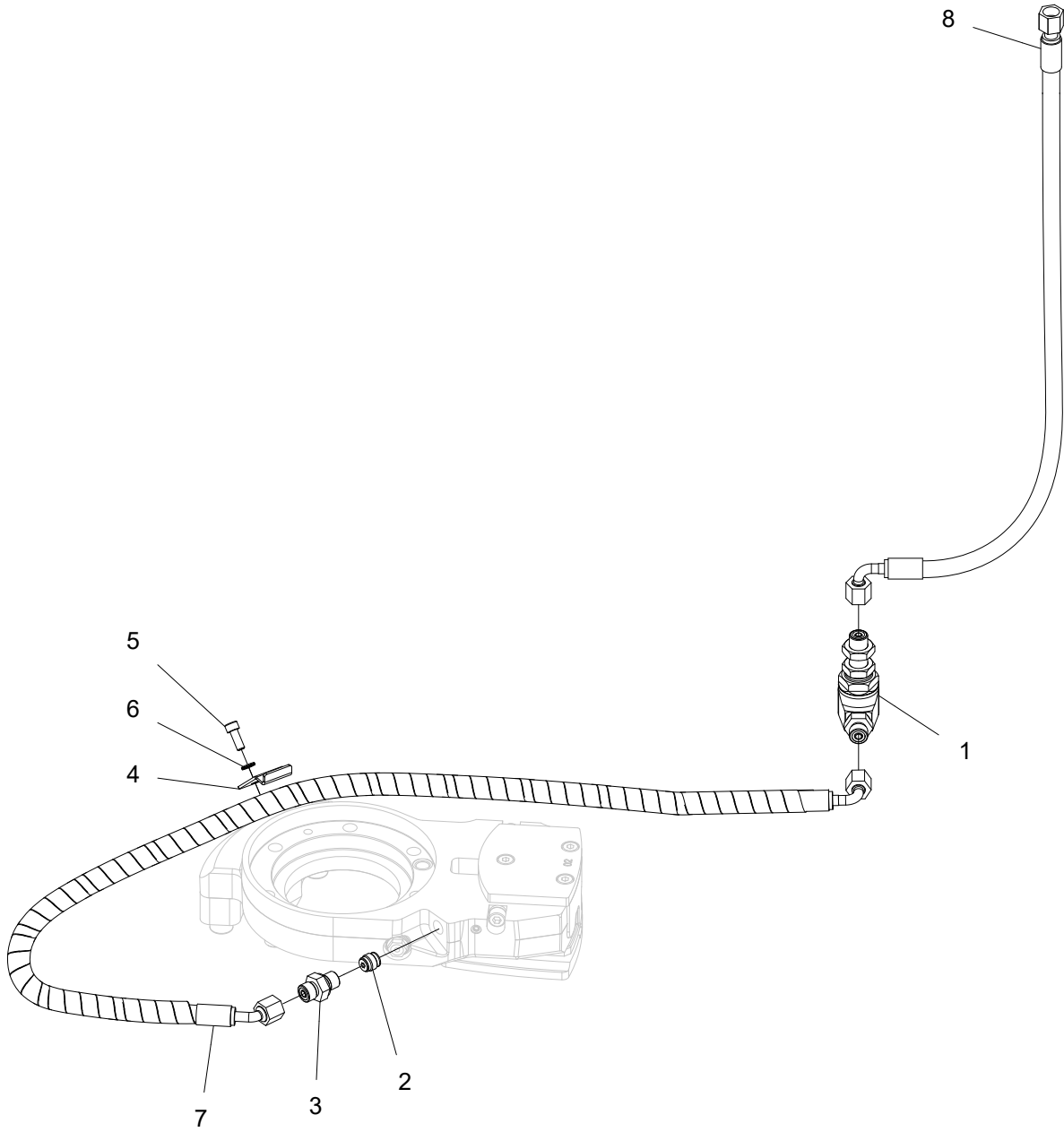
Heavy duty kit, color marking

Structure 043482				
Pos.	Part no.	Quantity	Description	Specification
1	018056	1	Saw dust cover	
2	016253	2	Clamp	
3	016257	2	Cover	
4	016818	1	Cover	
5	016819	1	Cover	
6	501090	4	Screw	M10x30 12.9
7	503057	4	Washer	NL10
8	502055	2	Nut	M10
9	500079	2	Screw	M10x80 8.8 FZB
10	503060	8	Washer	NL12
11	500090	4	Screw	M12x25 8.8 FZB
12	500091	4	Screw	M12x30 8.8 FZB



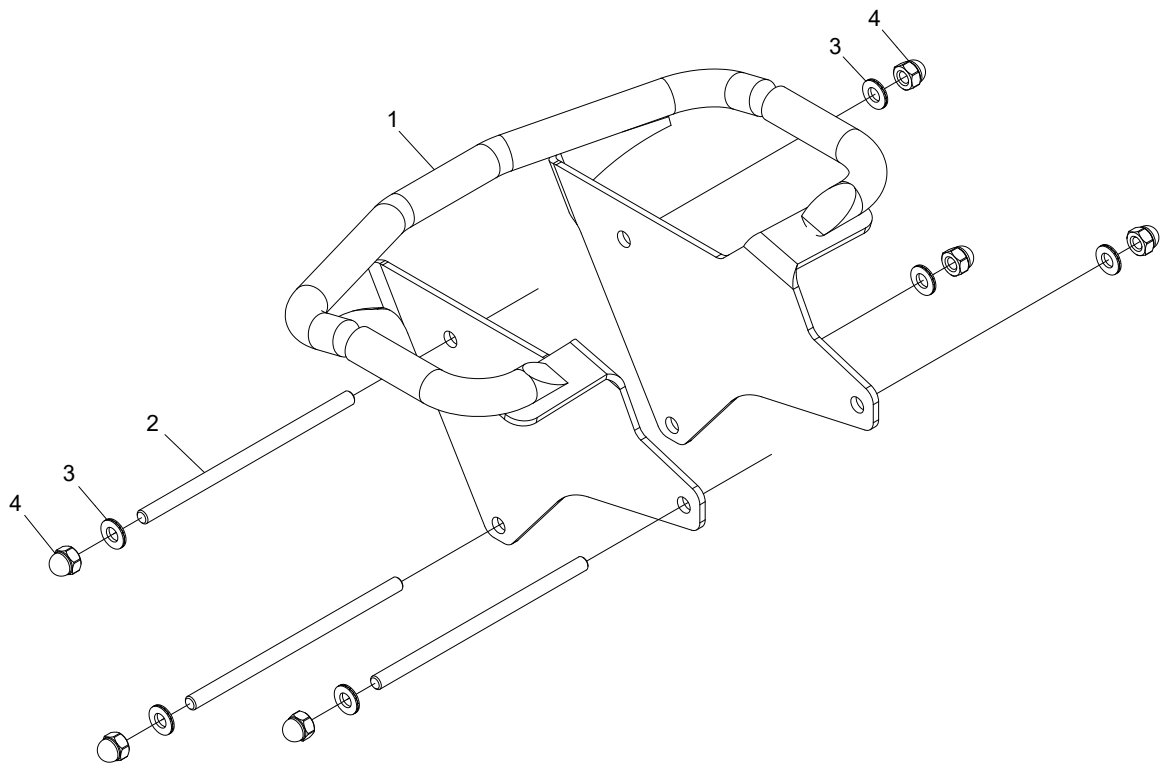
Stump treatment saw 218

Structure 043577				
Pos.	Part no.	Quantity	Description	Specification
1	018524	1	Swivel	9/16"
2	617048	1	Check valve	1/4"
3	601750	1	Adapter	BSP 1/4"-9/16" ORFS
4	018525	1	Bracket	
5	501045	1	Screw	M6x16 12.9
6	503065	1	Washer	NL6
7	648062	1	Hydraulic hose	
8	648063	1	Hydraulic hose	



Stump treatment saw 318

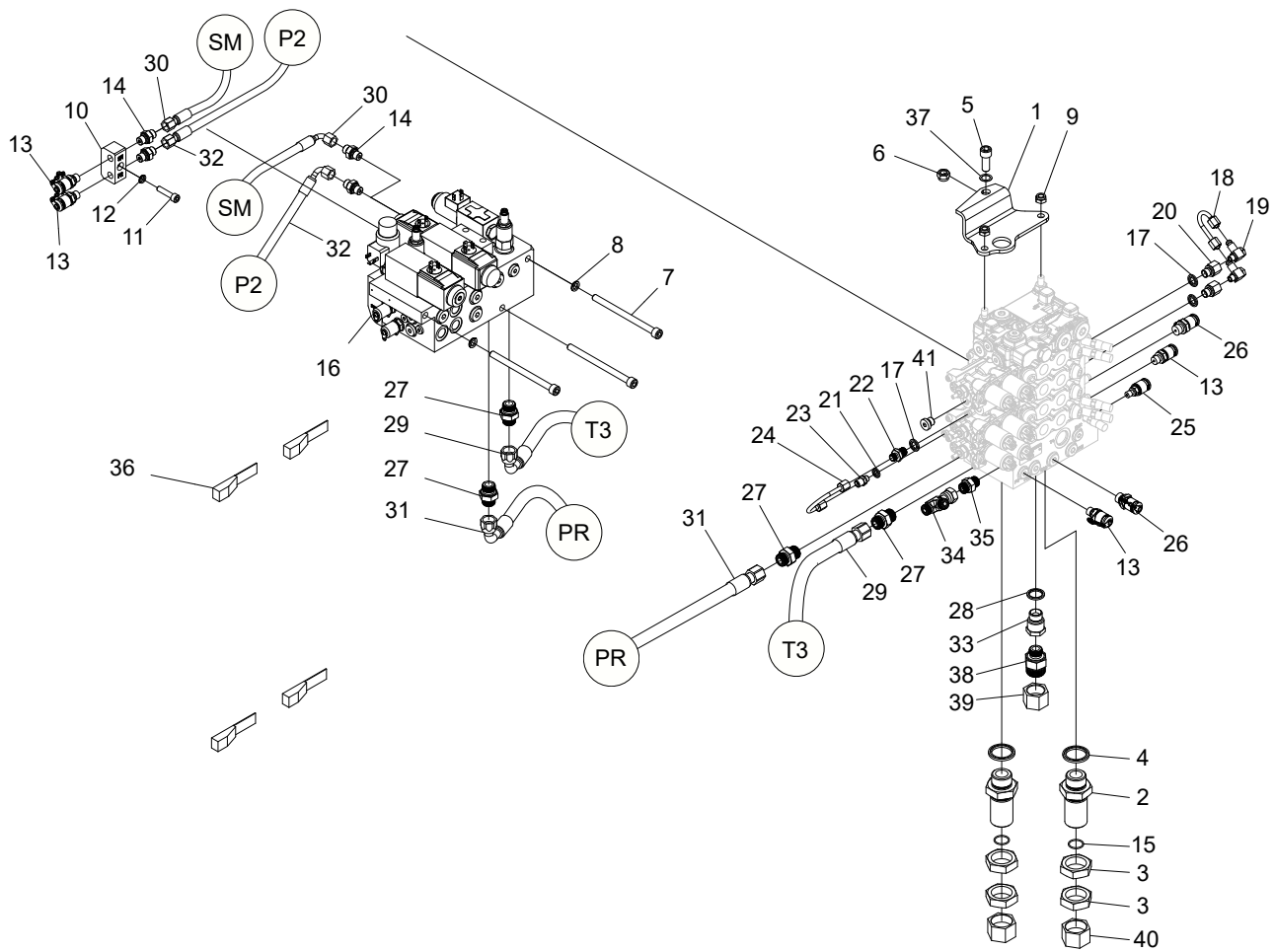
Structure 043578				
Pos.	Part no.	Quantity	Description	Specification
1	018524	1	Swivel	9/16"
2	617048	1	Check valve	1/4"
3	601750	1	Adapter	BSP 1/4"-9/16" ORFS
4	018525	1	Bracket	
5	501045	1	Screw	M6x16 12.9
6	503065	1	Washer	NL6
7	648061	1	Hydraulic hose	
8	648062	1	Hydraulic hose	



Protective bar

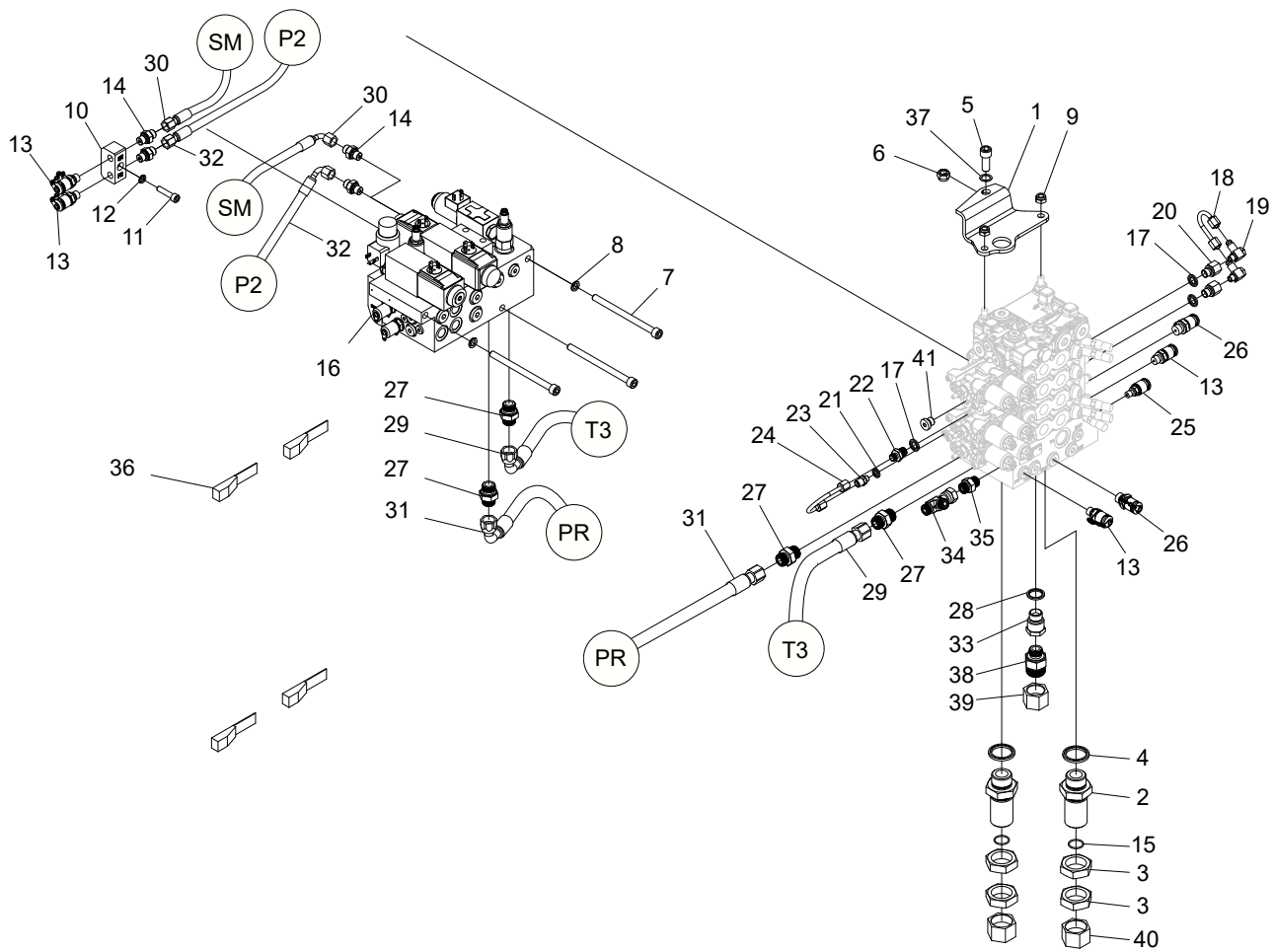
Structure 043531				
Pos.	Part no.	Quantity	Description	Specification
1	018619	1	Protective bar	
2	018626-195	3	Threaded rod	M10
3	503075	6	Washer	NL10 sp
4	502722	6	Nut	M10 FZB

Hydraulic system

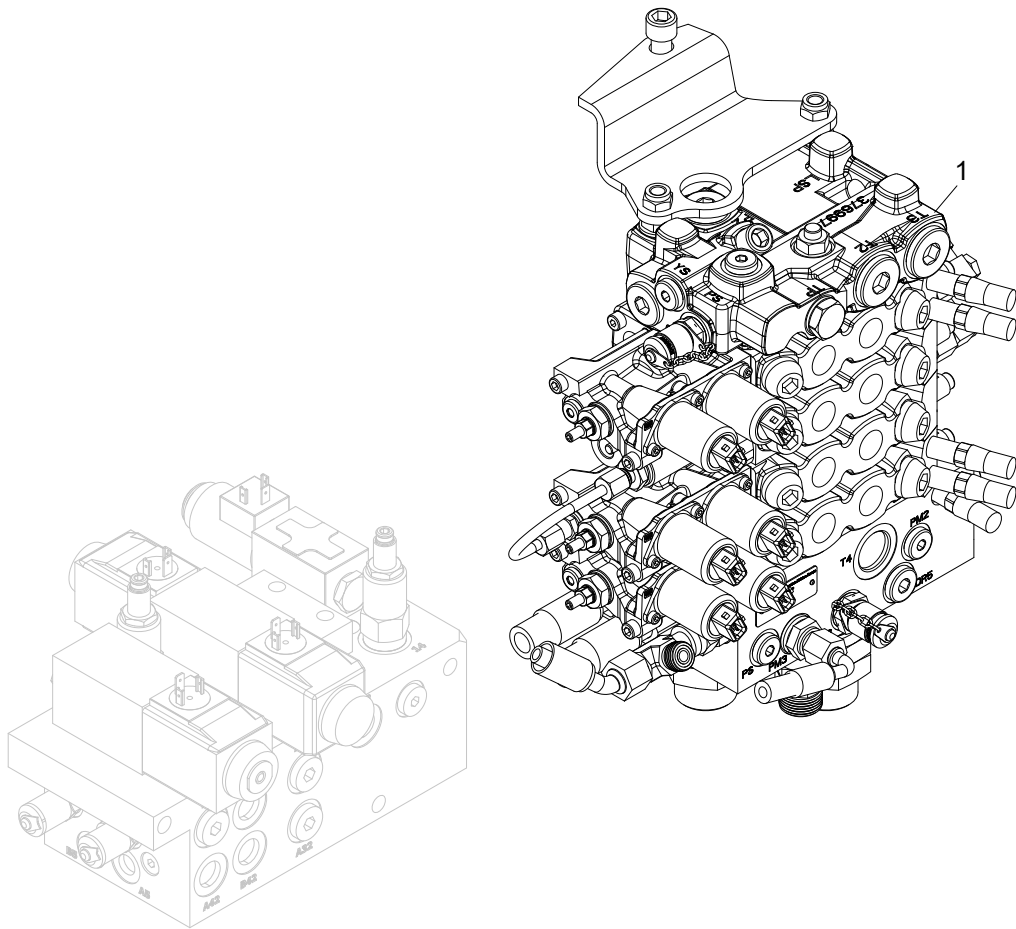


Hydraulic, assembly

Structure 043610				
Pos.	Part no.	Quantity	Description	Specification
1	013139	1	Bracket	
2	017253	2	Bulkhead	1"
3	013884	4	Nut	
4	601105	2	Bonded seal	1"
5	501109	1	Screw	M12x30 12.9
6	502056	1	Nut	M12
7	501104	3	Screw	M10x140 12.9
8	503057	2	Washer	NL10
9	502055	2	Nut	M10
10	013835	1	Manifold	
11	501072	1	Screw	M8x35 12.9
12	503055	1	Washer	NL8
13	601261	4	Test point	1/4"
14	601750	4	Adapter	BSP 1/4"-9/16" ORFS
15	543051	2	O-ring	23,52x1,78
16	018536	1	Manifold	
17	601101	3	Bonded seal	1/4"
18	014193	1	Pipe	
19	602075	2	Hose fitting	1/8"
20	602086	2	Adapter	1/4" - 1/8"
21	601100	1	Bonded seal	1/8"
22	602060	1	Adapter	1/4"
23	602061	1	Adapter	1/8"
24	013830	1	Pipe	
25	601260	1	Test point	1/8"
26	601262	2	Test point	3/8"
27	601758	4	Adapter	BSP 1/2" - 13/16" ORFS
28	601103	1	Bonded seal	1/2"
29	648037	1	Hydraulic hose	
30	648034	1	Hydraulic hose	
31	648036	1	Hydraulic hose	
32	648035	1	Hydraulic hose	
33	013805	1	Adapter	1/2"

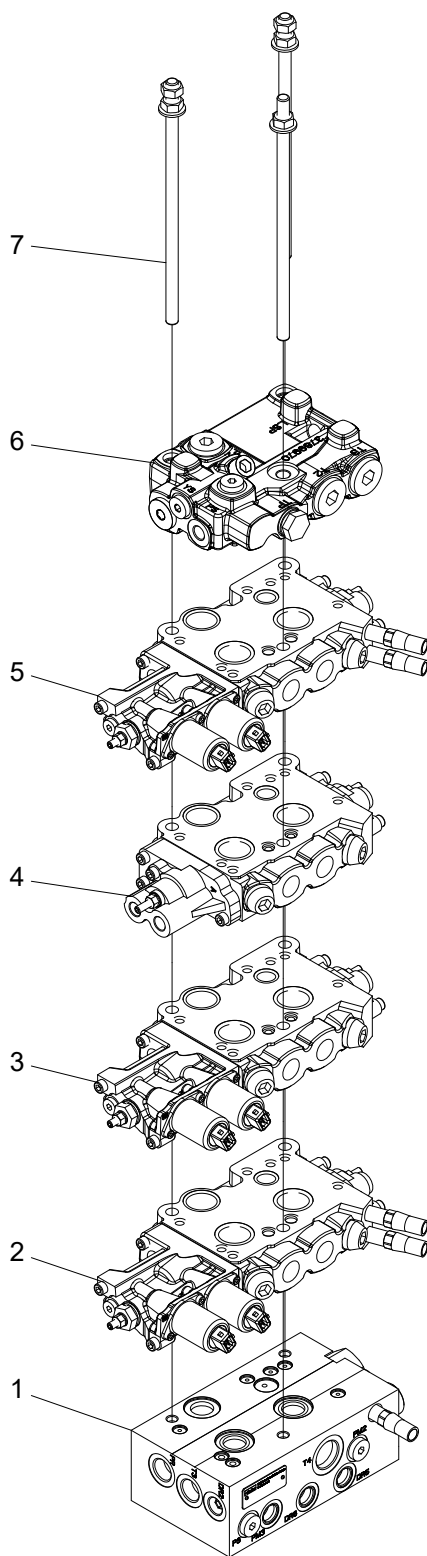


Structure 043610				
Pos.	Part no.	Quantity	Description	Specification
34	601736	1	Adapter	11/16"
35	601754	1	Adapter	BSP 3/8" - 11/16" ORFS
36	626001	4	Tie down strap	530 mm
37	507010	1	Shim	14x20x0,5
38	601760	1	Adapter	BSP 1/2" - 1.3/16" ORFS
39	601791	1	Plug	3/16"
40	601792	2	Plug	7/16"
41	601001	1	Hex plug	1/4"



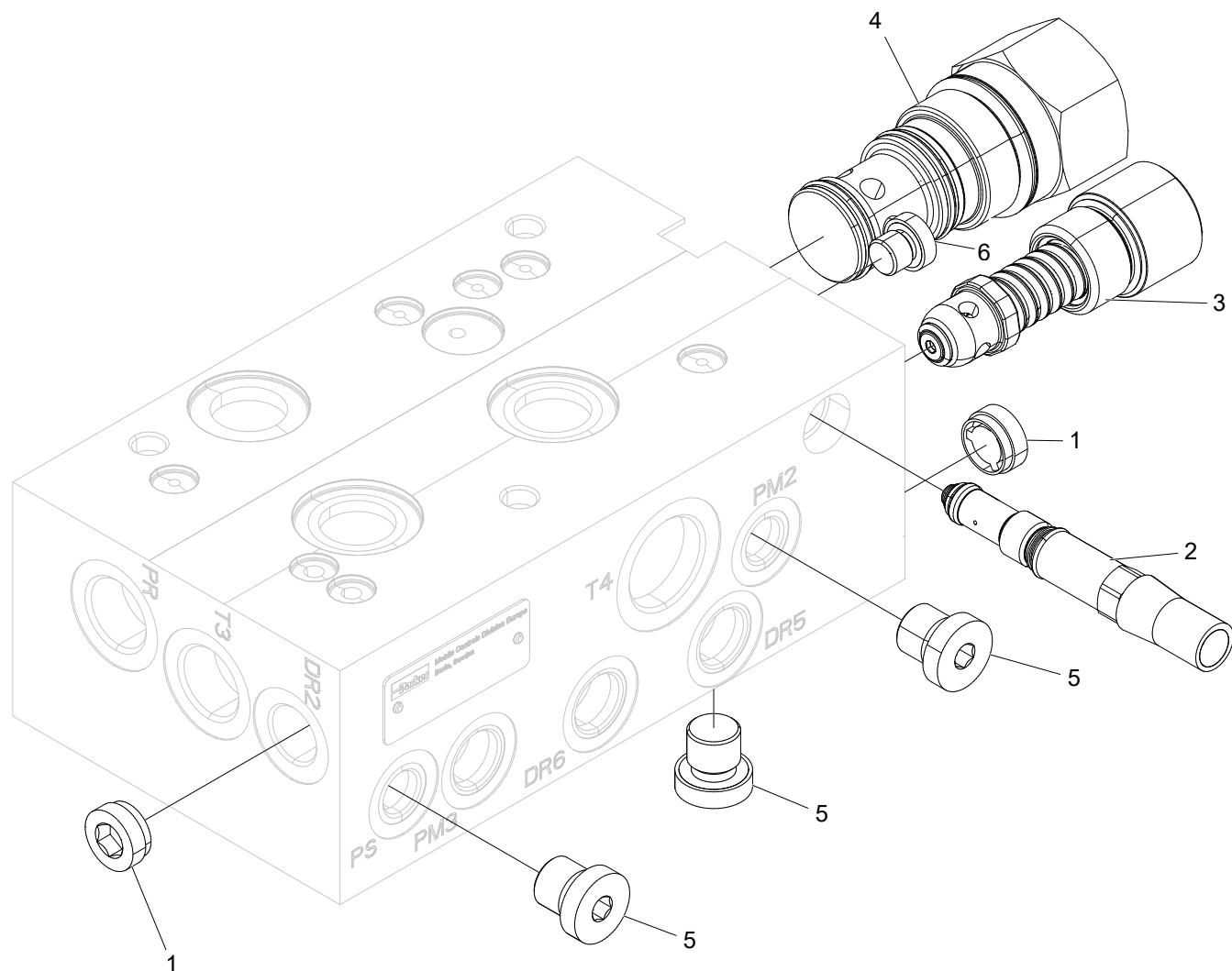
Right manifold, assembly

Structure 043611				
Pos.	Part no.	Quantity	Description	Specification
1	614025-01	1	Right manifold	



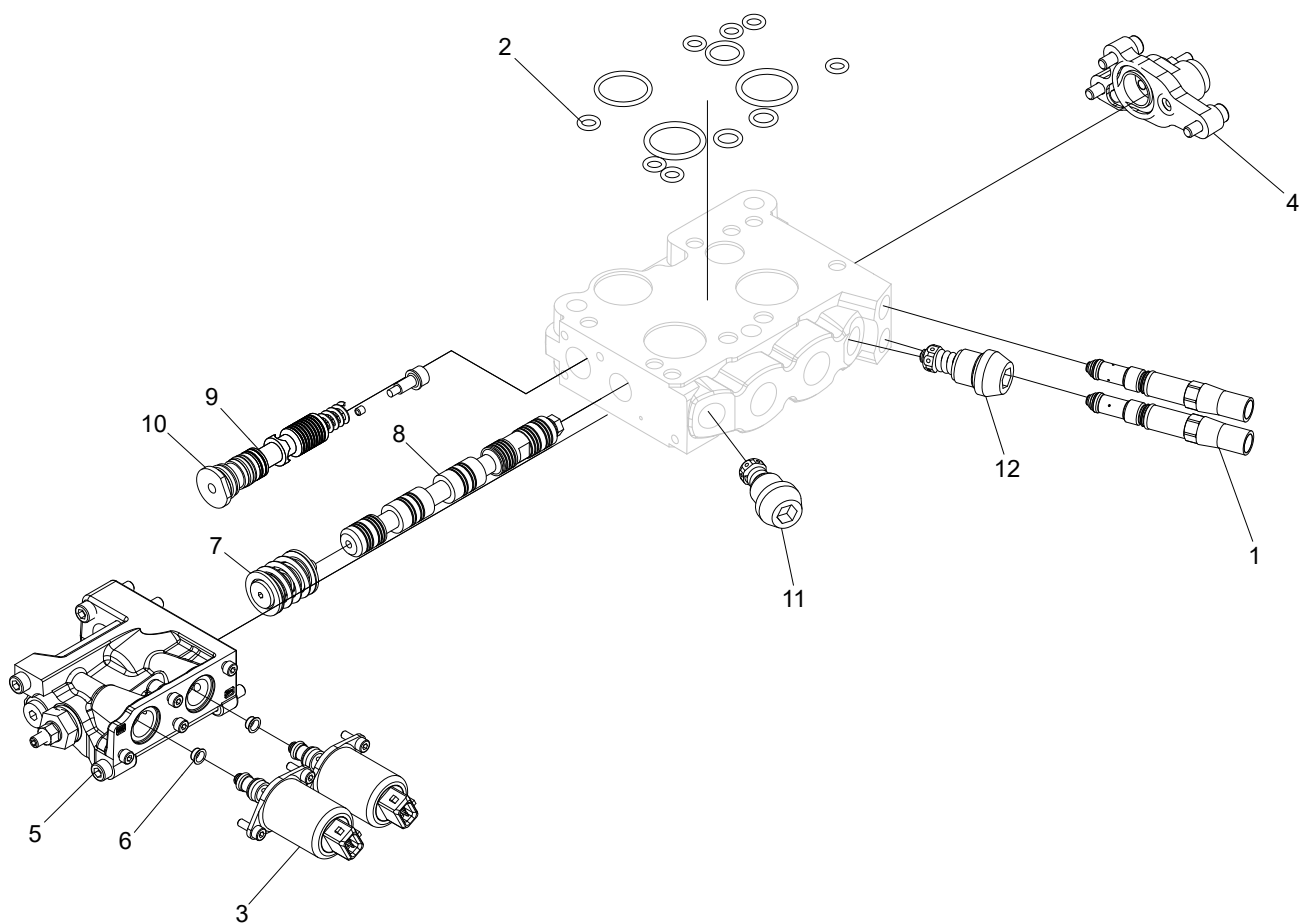
Right manifold

Structure 614025-01				
Pos.	Part no.	Quantity	Description	Specification
1	614116-04	1	Inlet manifold	
2	614111-02	1	Lower delimiting knife section	
3	614115-03	1	Feed section	
4	614114-02	1	Feed section	
5	614111-06	1	Delimiting knife section	
6	614110-01	1	End section	
7	620455	1	Tie rod kit	



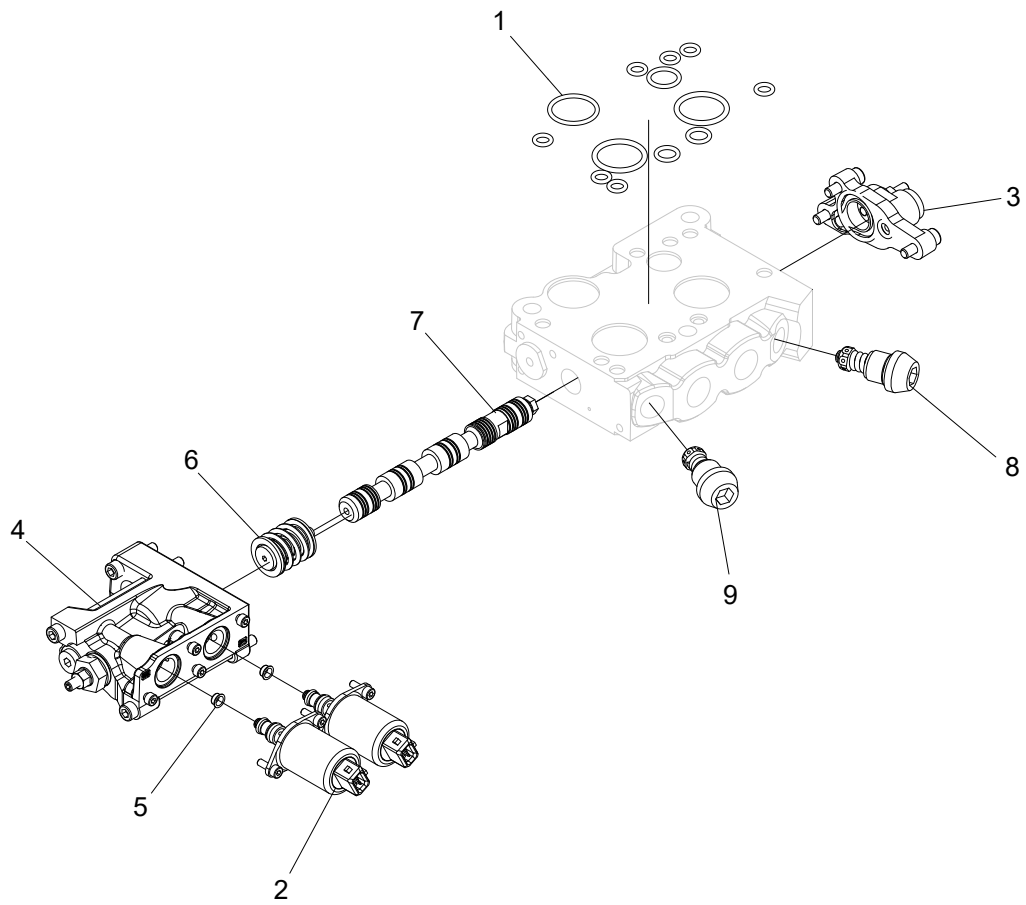
Inlet manifold

Structure 614116-04				
Pos.	Part no.	Quantity	Description	Specification
1	617028	2	Check valve	
2	620397	1	Feed reducer	
3	611196	1	Relief valve	330 bar
4	620543	1	Reducer valve	
5	601001	3	Hex plug	1/4"
6	601000	1	Hex plug	1/8"



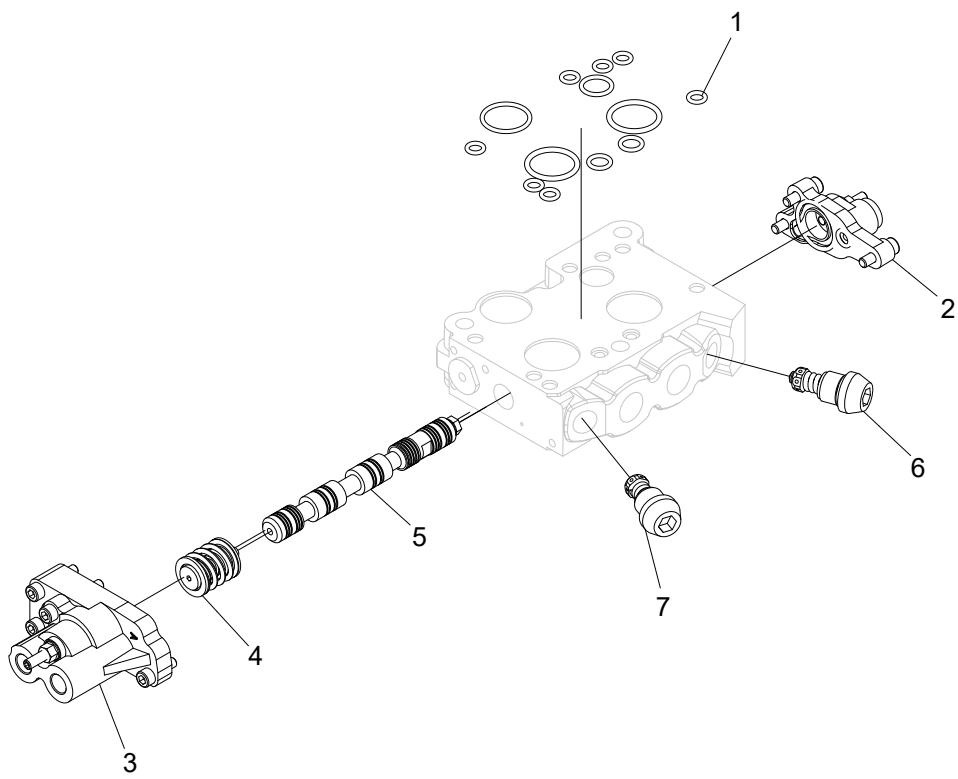
Lower delimiting knife section

Structure 614111-02				
Pos.	Part no.	Quantity	Description	Specification
1	620397	2	Feed reducer	
2	620377	1	Seal kit	
3	620590	2	Soleniod	
4	620390	1	Cap	EC/PC
5	620342	1	Cap	EC/A036
6	620345	2	Restrictor	1,2 mm
7	620392	1	Spring kit	
8	620444	1	Spool	MBX
9	620510	1	Compensator kit	B
10	620512	1	Compensator kit	G
11	620399	1	Relief valve	125 bar
12	620407	1	Relief valve	190 bar



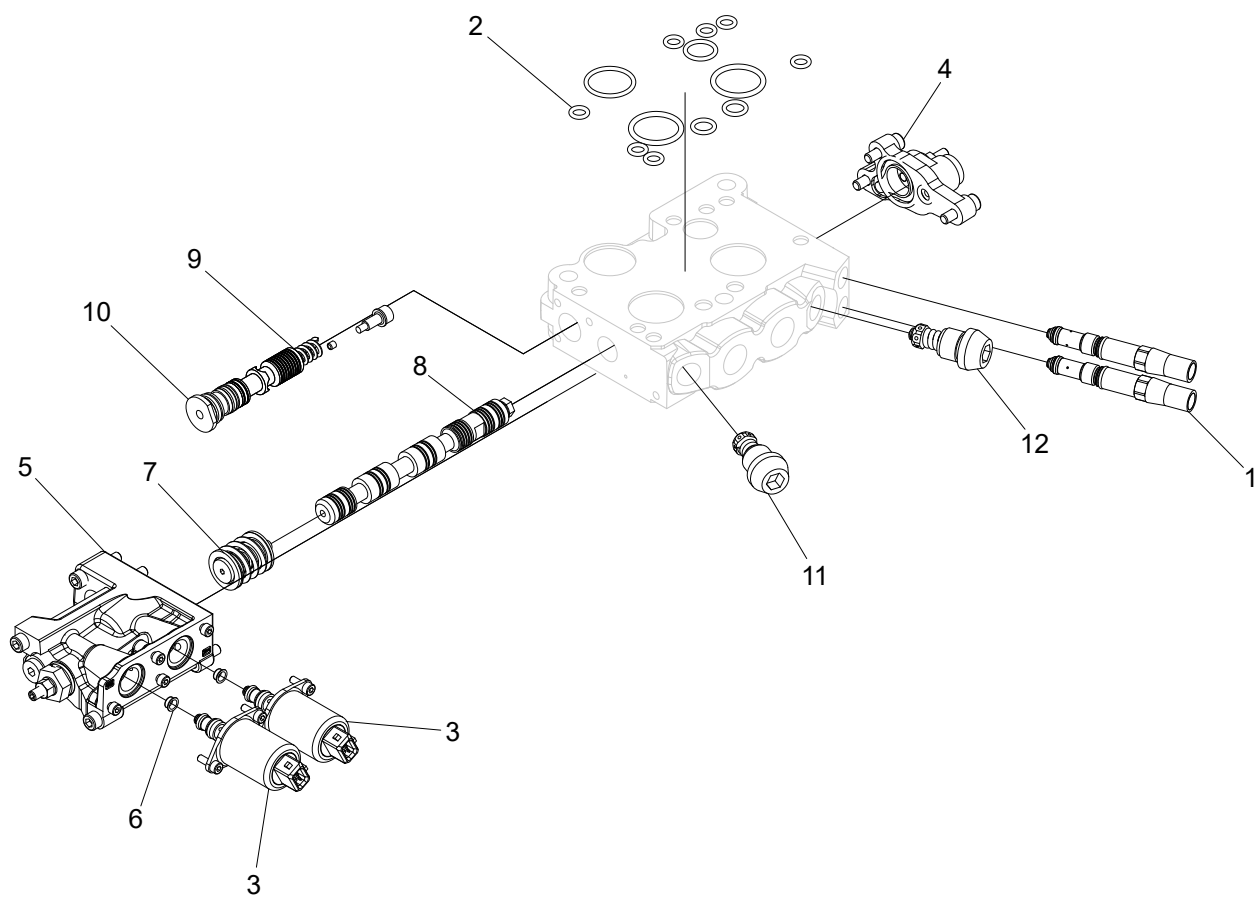
Feed section

Structure 614115-03				
Pos.	Part no.	Quantity	Description	Specification
1	620377	1	Seal kit	
2	620590	2	Solenoid	
3	620390	1	Cap	EC/PC
4	620342	1	Cap	EC/A036
5	620345	2	Restrictor	1,2 mm
6	620485	1	Spring kit	
7	620454	1	Spool	UBX
8	620400	1	Relief valve	320 bar
9	620484	1	Relief valve	280 bar



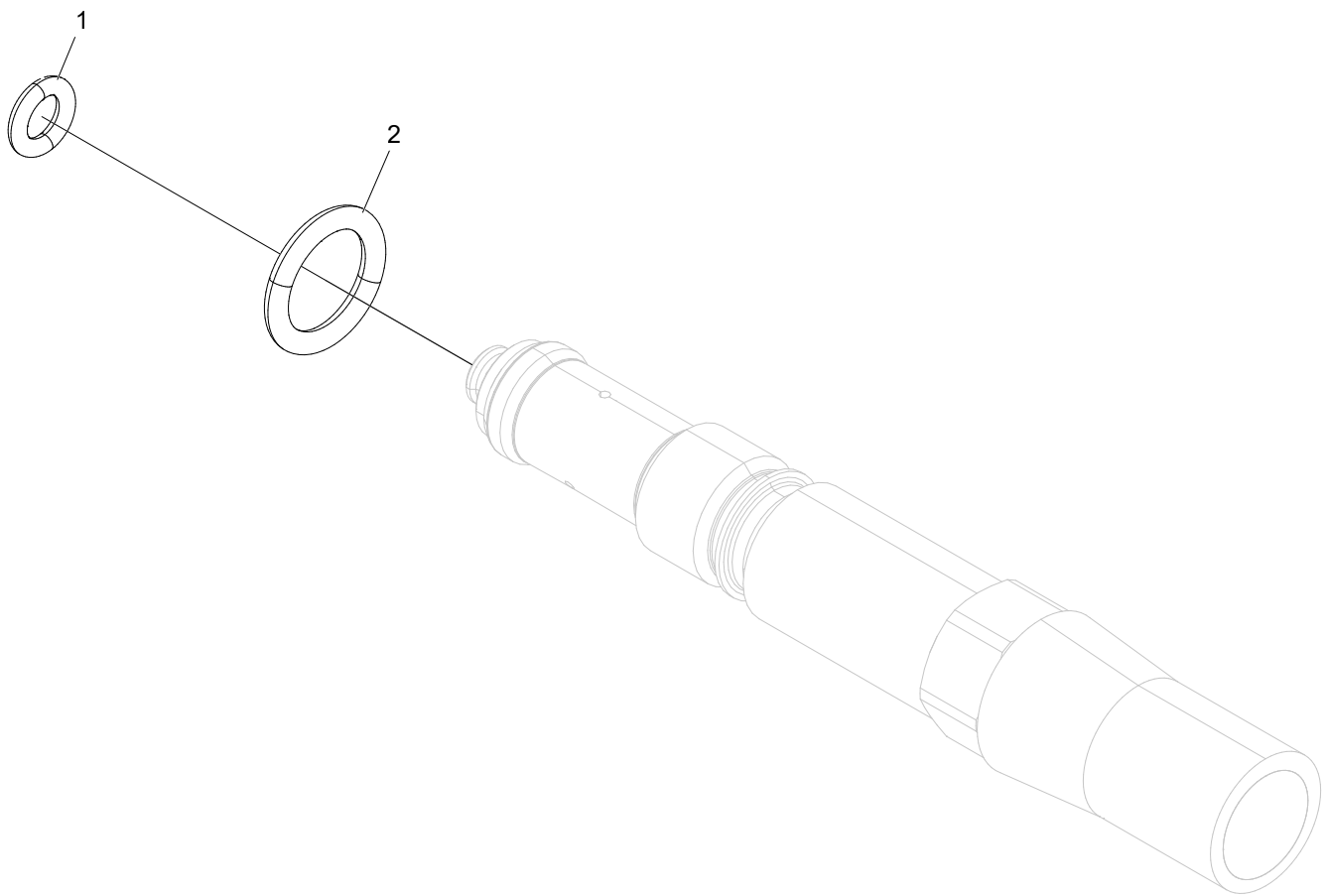
Feed section

Structure 614114-02				
Pos.	Part no.	Quantity	Description	Specification
1	620377	1	Seal kit	
2	620390	1	Cap	EC/PC
3	620391	1	Cap	PC
4	620485	1	Spring kit	
5	620454	1	Spool	
6	620400	1	Relief valve	320 bar
7	620484	1	Relief valve	280 bar



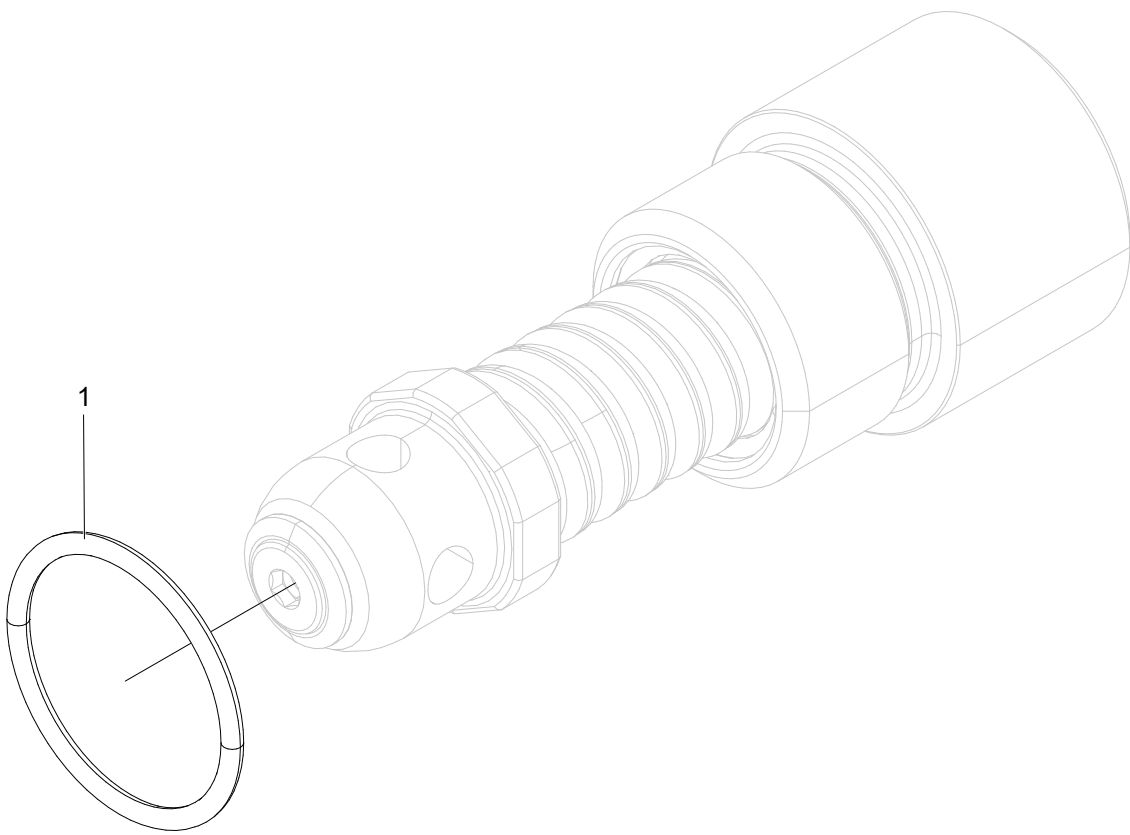
Delimiting knife section

Structure 614111-06				
Pos.	Part no.	Quantity	Description	Specification
1	620397	2	Feed reducer	
2	620377	1	Seal kit	
3	620590	2	Solenoid	
4	620390	1	Cap	EC/PC
5	620342	1	Cap	EC/A036
6	620345	2	Restrictor	1,2 mm
7	620392	1	Spring kit	
8	620444	1	Spool	MBX
9	620510	1	Compensator	
10	620512	1	Compensator	
11	620399	1	Relief valve	125 bar
12	620404	1	Relief valve	210 bar



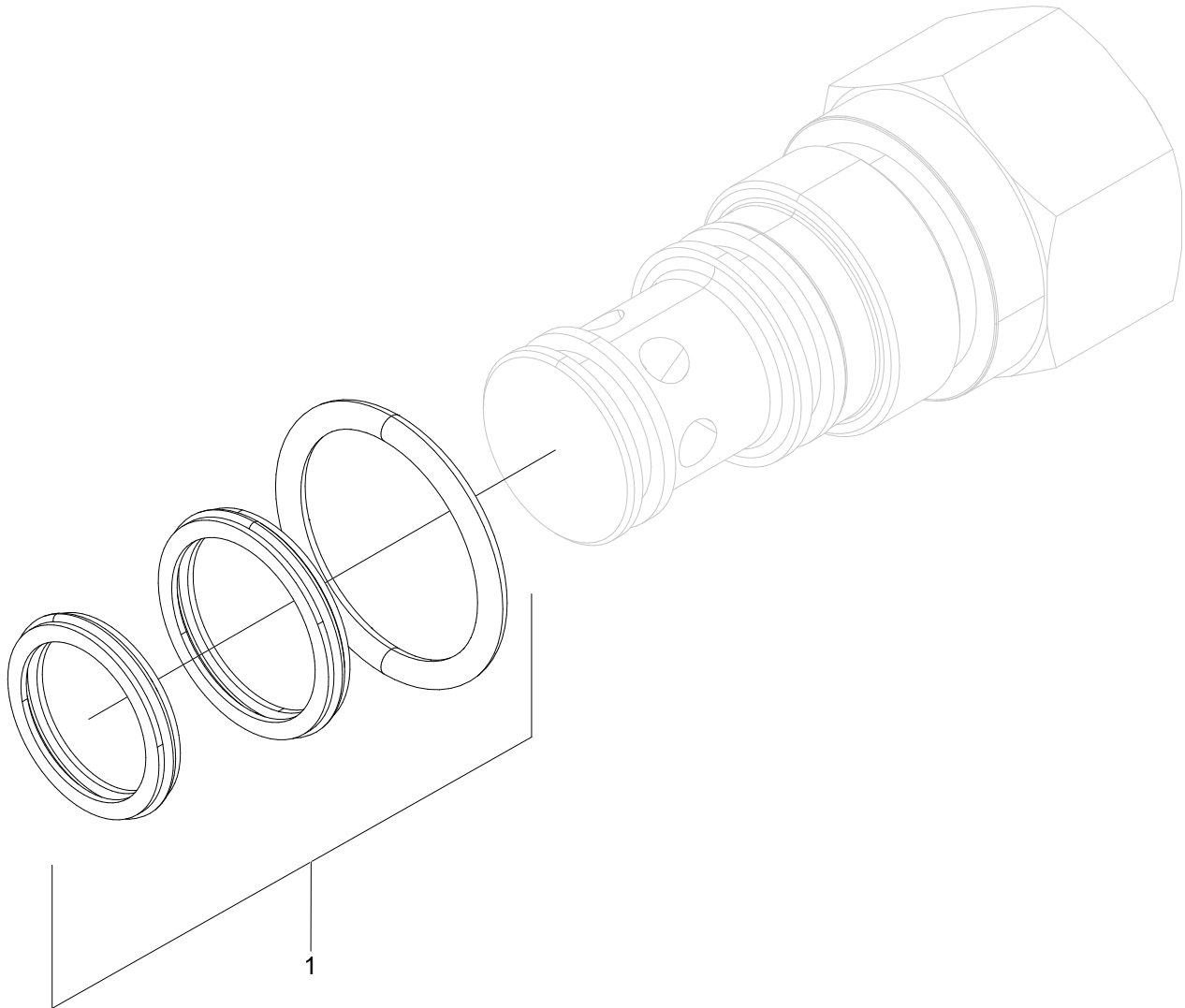
Feed reducer

Structure 620397				
Pos.	Part no.	Quantity	Description	Specification
1	540001	1	O-ring	4,1x1,6
2	543022	1	O-ring	9,5x2,0



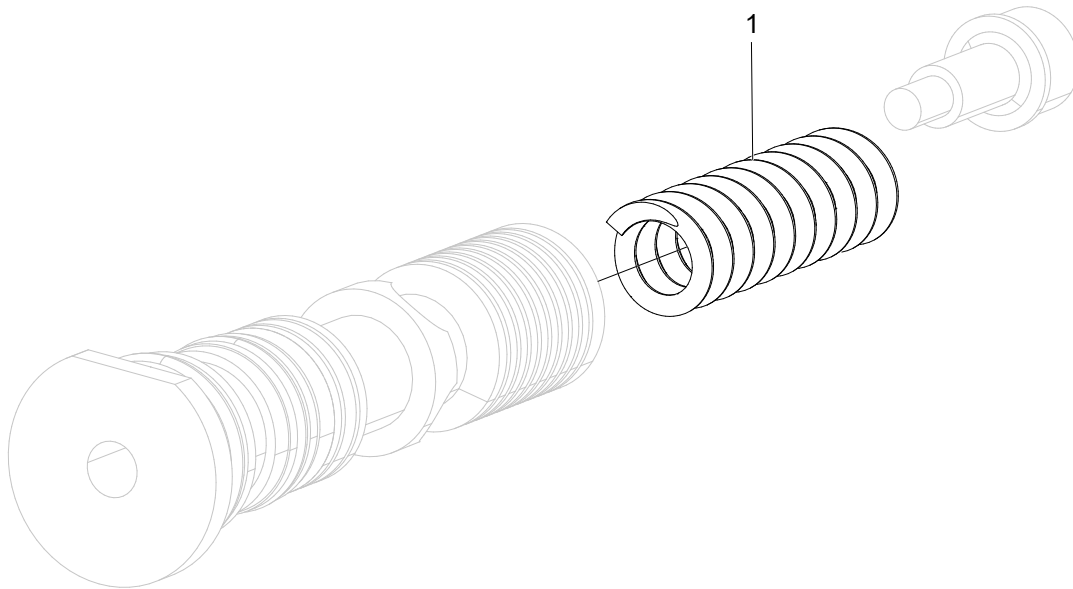
Relief valve 330 bar

Structure 611196				
Pos.	Part no.	Quantity	Description	Specification
1	540047	1	O-ring	21,95x1,78



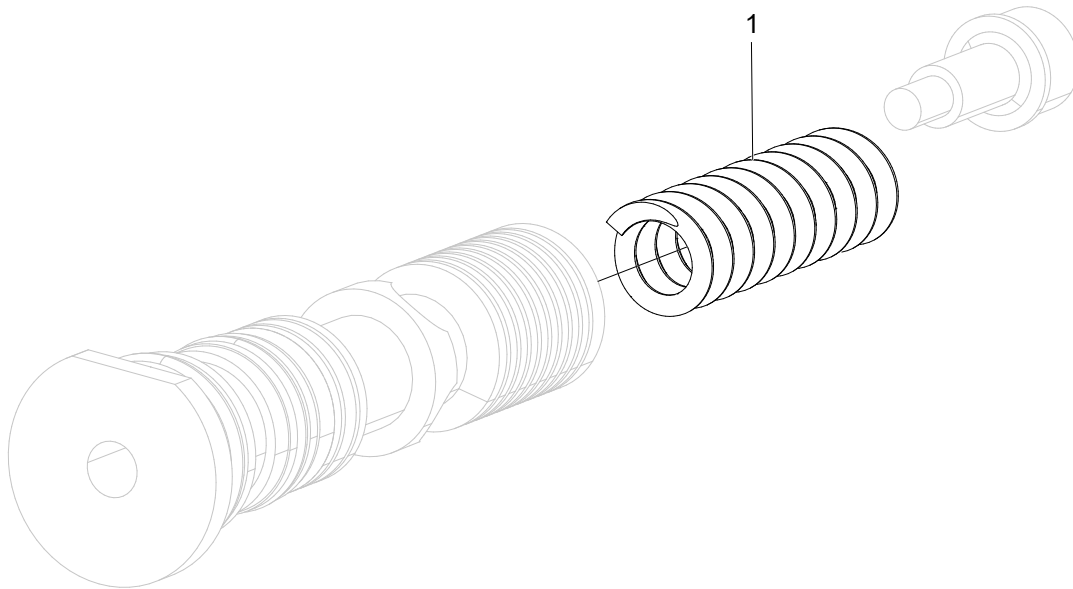
Reducer valve

Structure 620543				
Pos.	Part no.	Quantity	Description	Specification
1	611309	1	Seal kit	



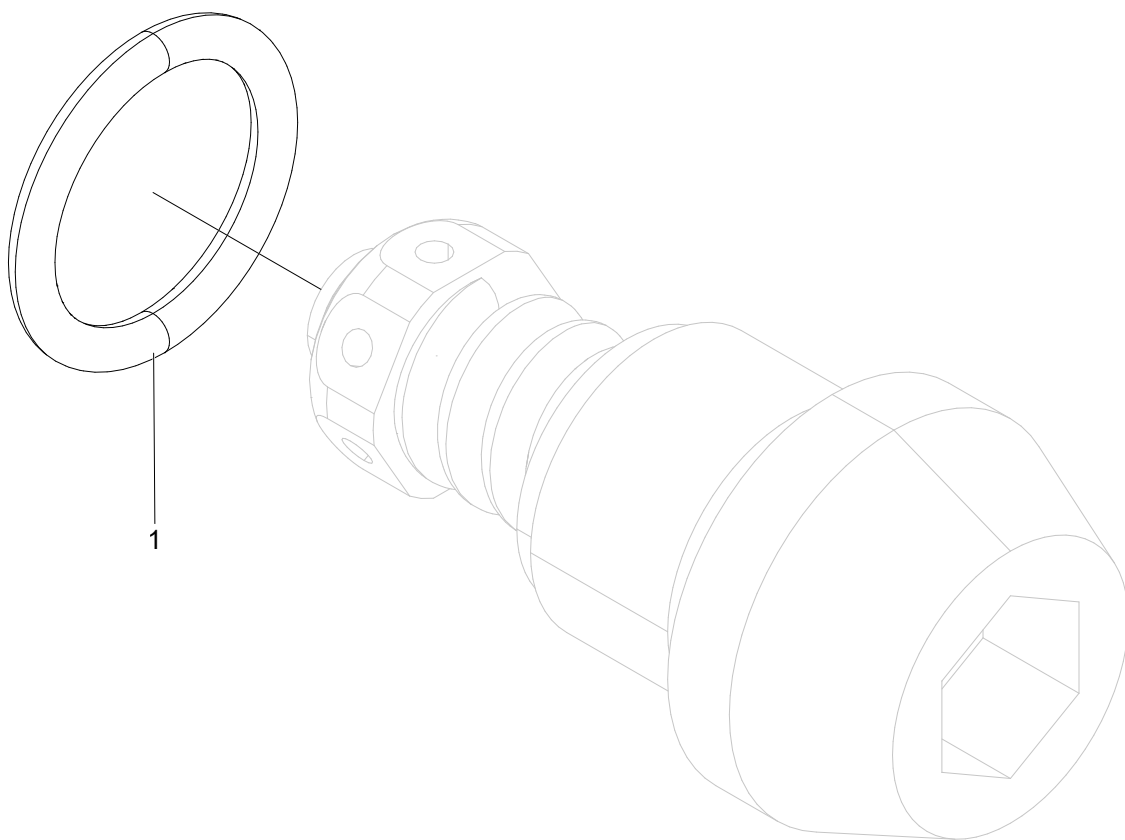
Compensator kit

Structure 620510				
Pos.	Part no.	Quantity	Description	Specification
1	620413	1	Spring	



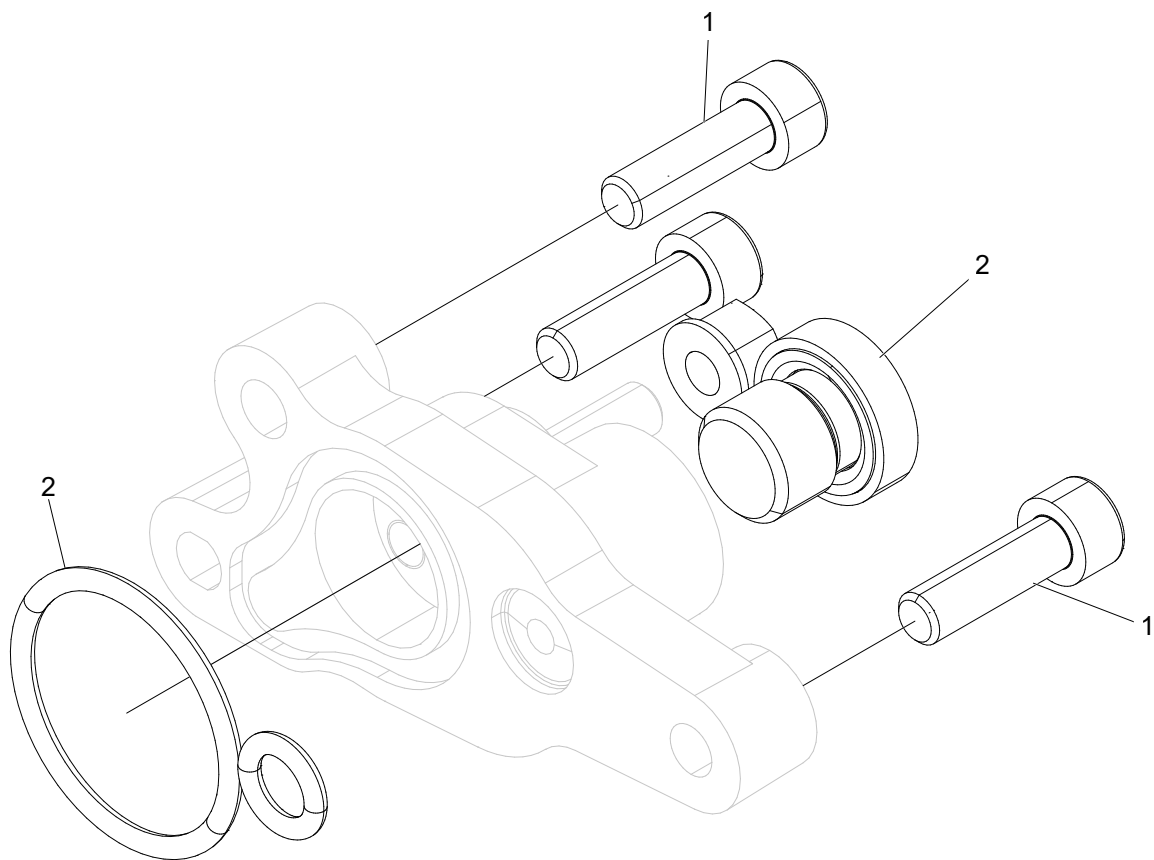
Compensator kit

Structure 620512				
Pos.	Part no.	Quantity	Description	Specification
1	620413	1	Spring	



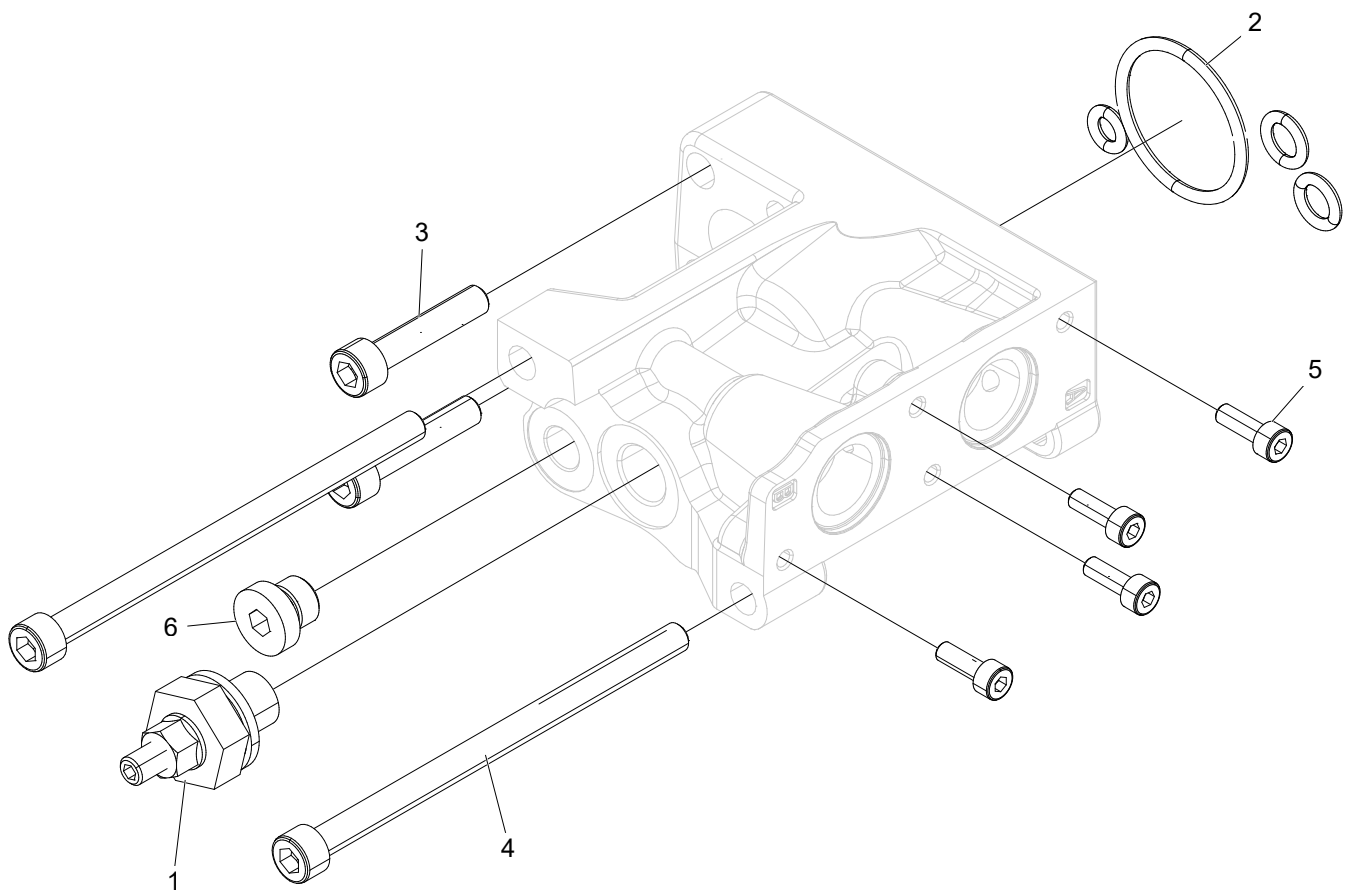
Relief valve 125 bar

Structure 620399				
Pos.	Part no.	Quantity	Description	Specification
1	540072	1	O-ring	15,3x2,4



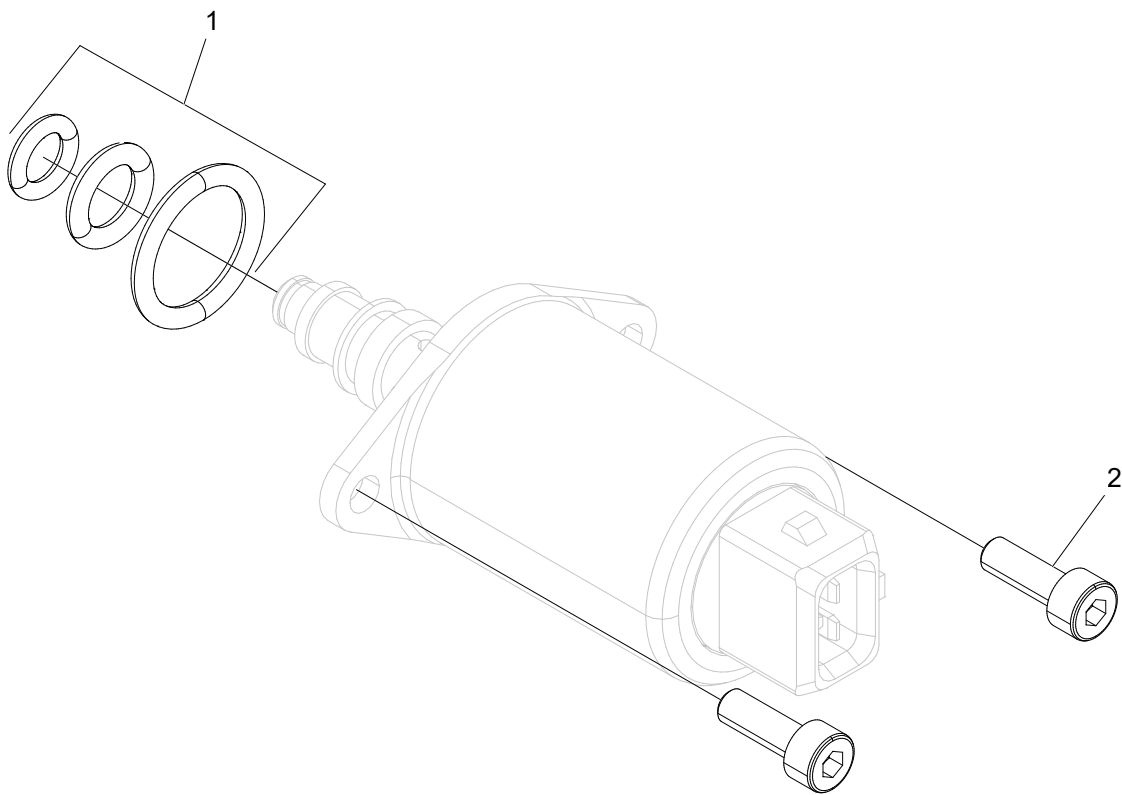
Cap EC/PC

Structure 620390				
Pos.	Part no.	Quantity	Description	Specification
1	501046	3	Screw	M6x20 12.9
2	620383	1	Seal kit	



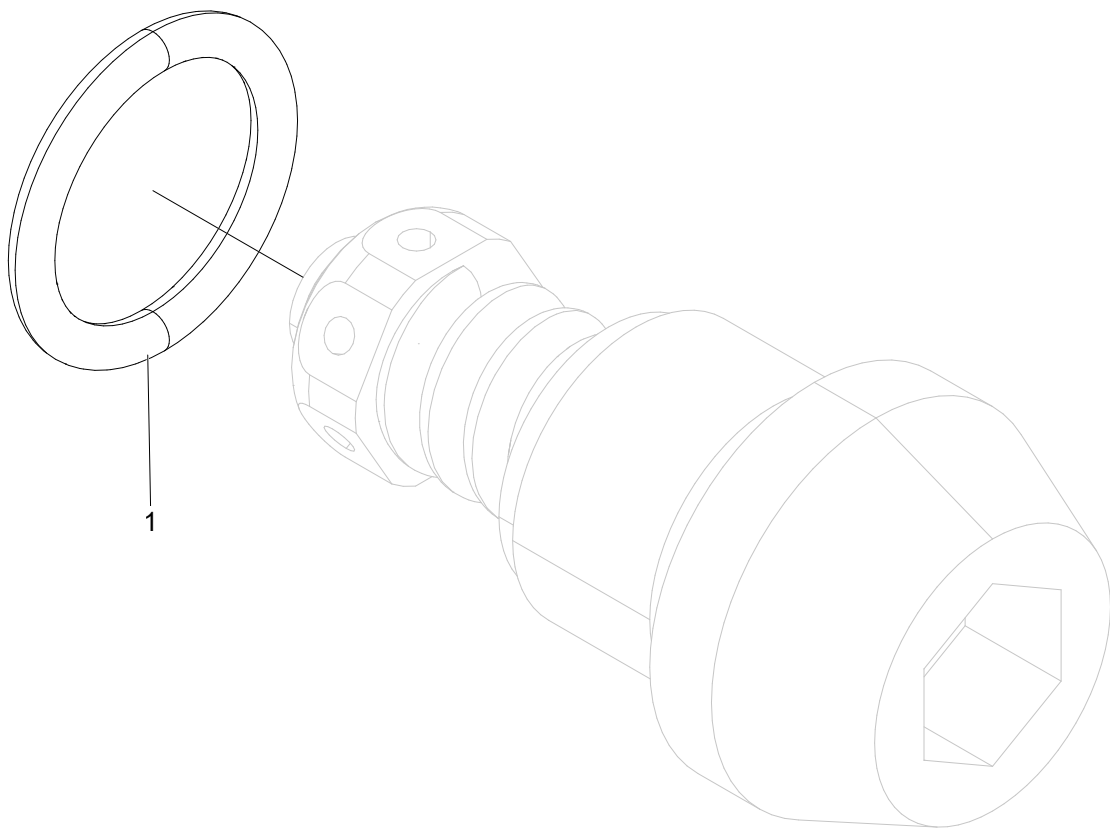
Cap EC/A036

Structure 620342				
Pos.	Part no.	Quantity	Description	Specification
1	620446	1	Spool limiter kit	
2	620379	1	Seal kit	
3	501049	2	Screw	M6x30 12.9
4	501061	2	Screw	M6x100 12.9
5	501014	4	Screw	M4x12 12.9
6	601000	1	Hex plug	1/8"



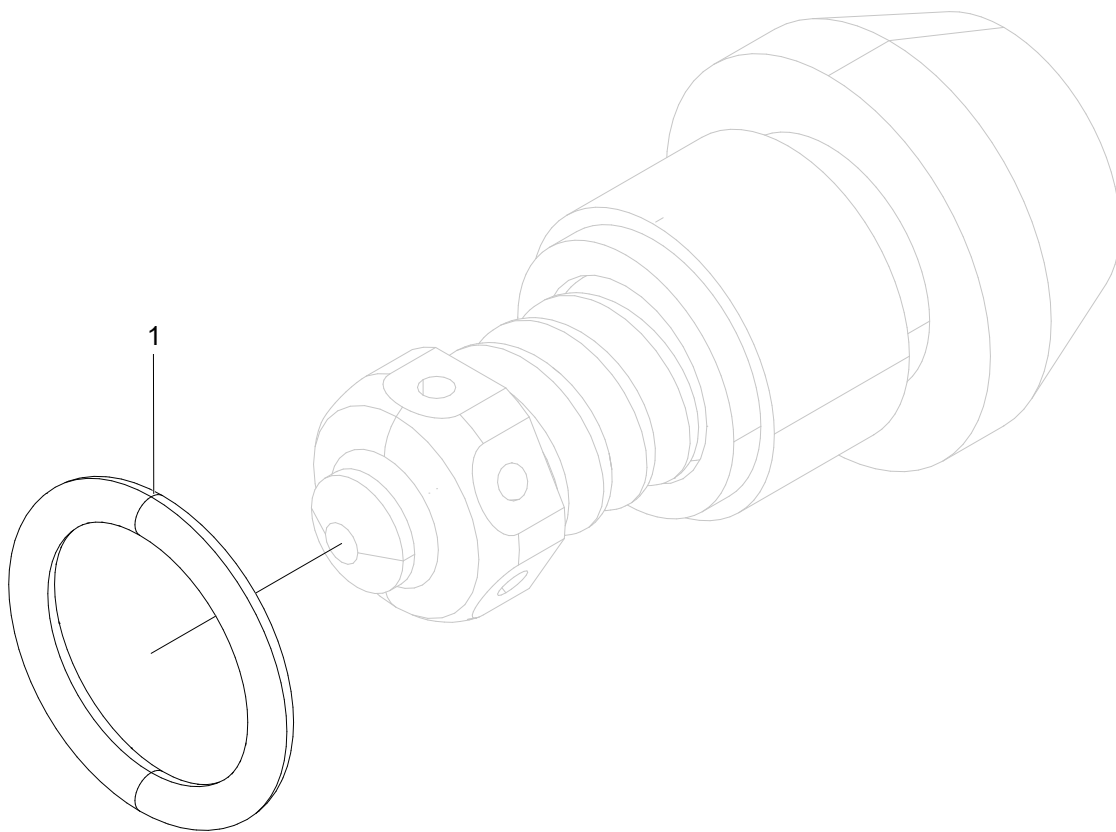
Solenoid

Structure 620590				
Pos.	Part no.	Quantity	Description	Specification
1	501014	2	Screw	M4x12 12.9
2	620344	1	Seal kit	



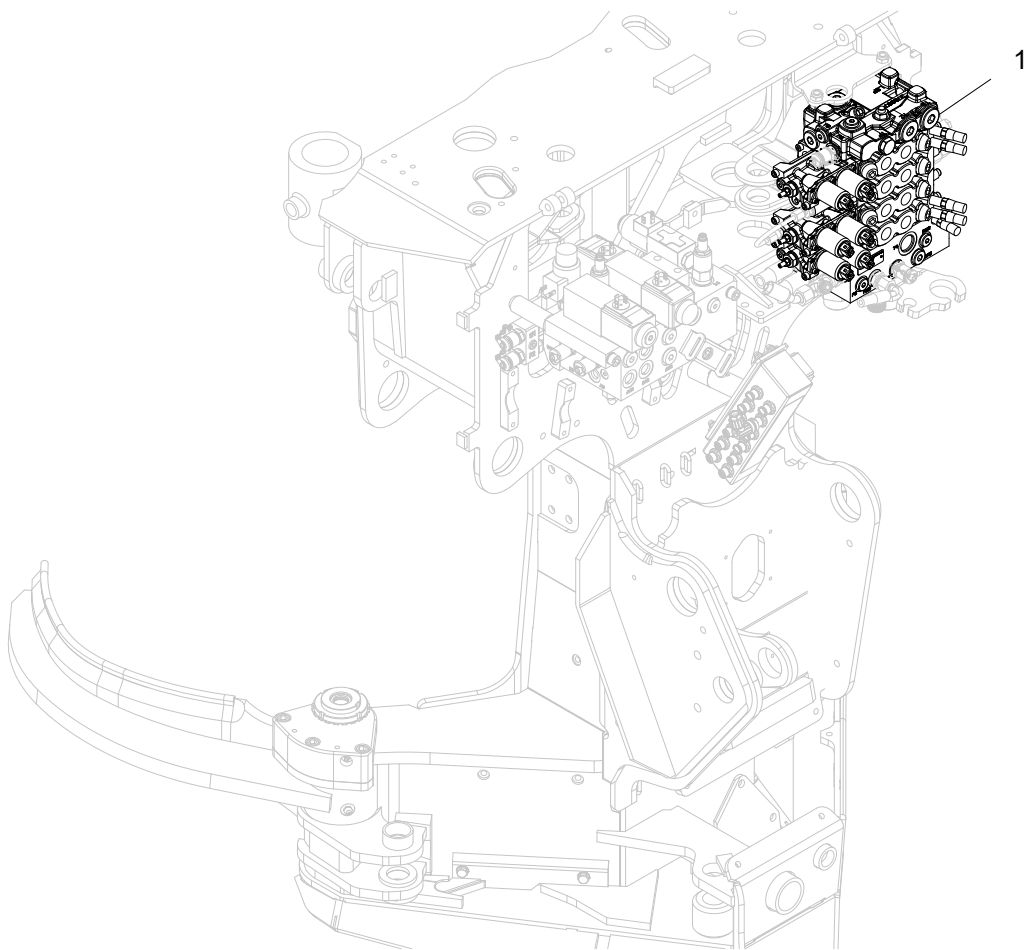
Relief valve 280 bar

Structure 620484				
Pos.	Part no.	Quantity	Description	Specification
1	540072	1	O-ring	15,3x2,4



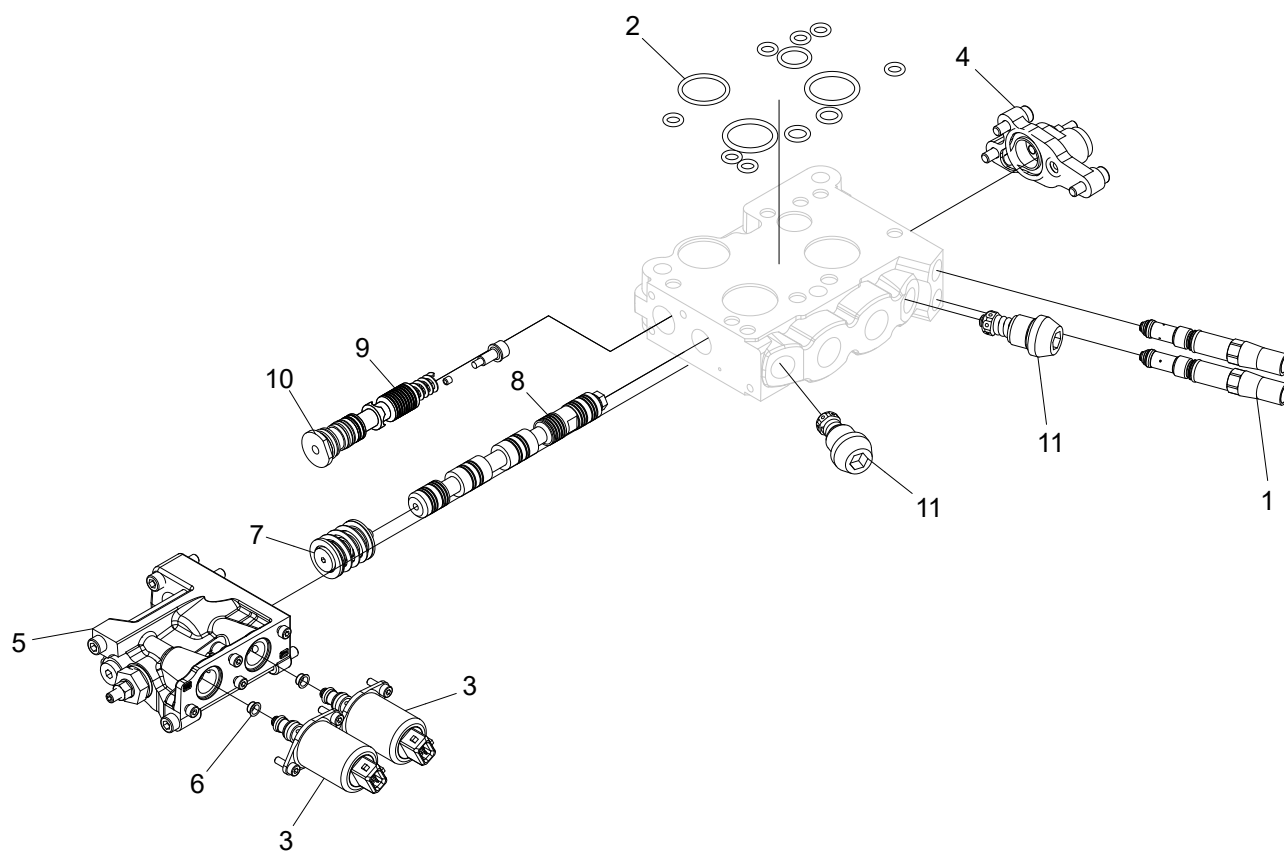
Relief valve 320 bar

Structure 620400				
Pos.	Part no.	Quantity	Description	Specification
1	540072	1	O-ring	15,3x2,4



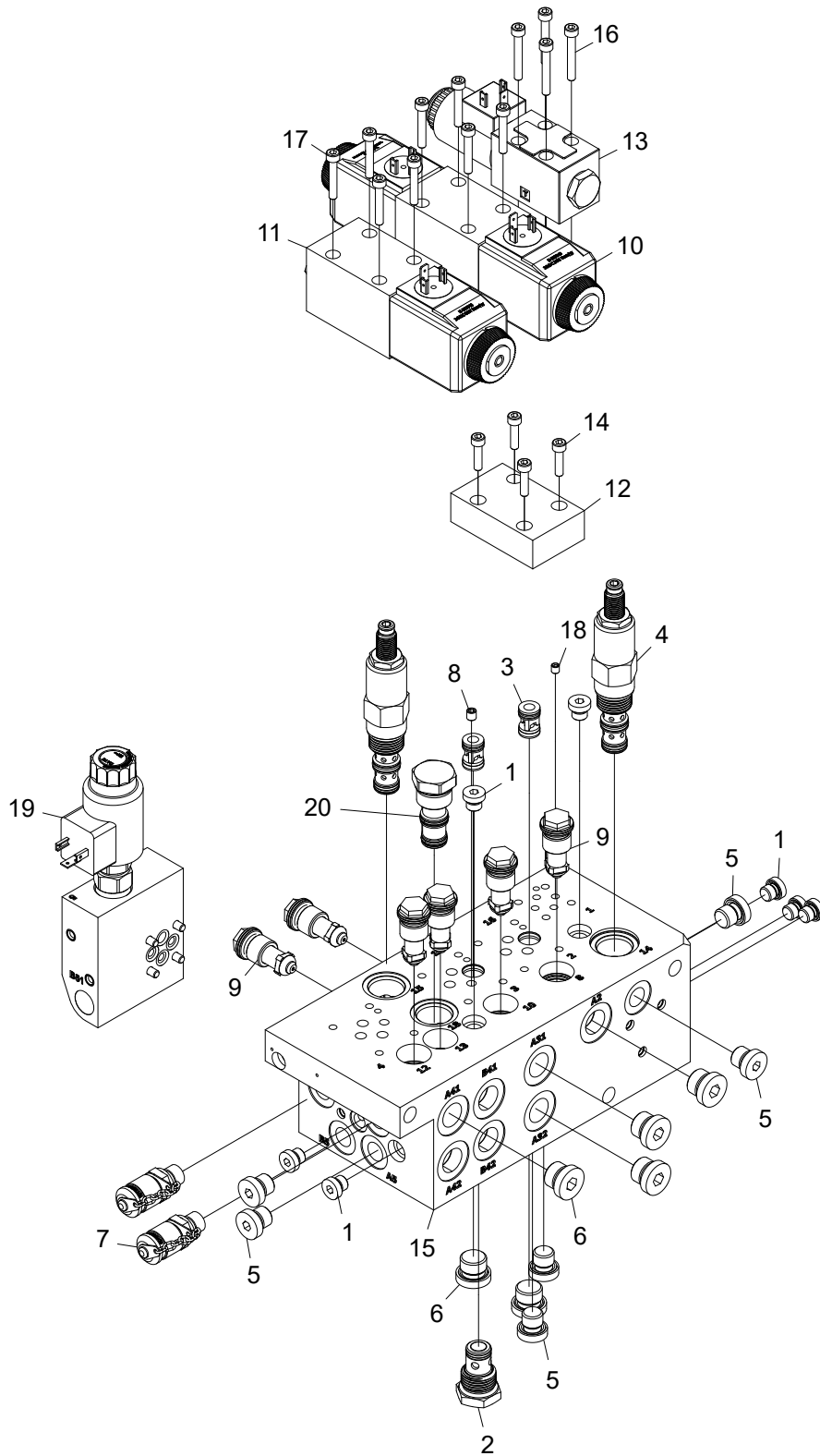
Right manifold, low pressure control

Structure 043612				
Pos.	Part no.	Quantity	Description	Specification
1	614026-01	1	Right manifold	



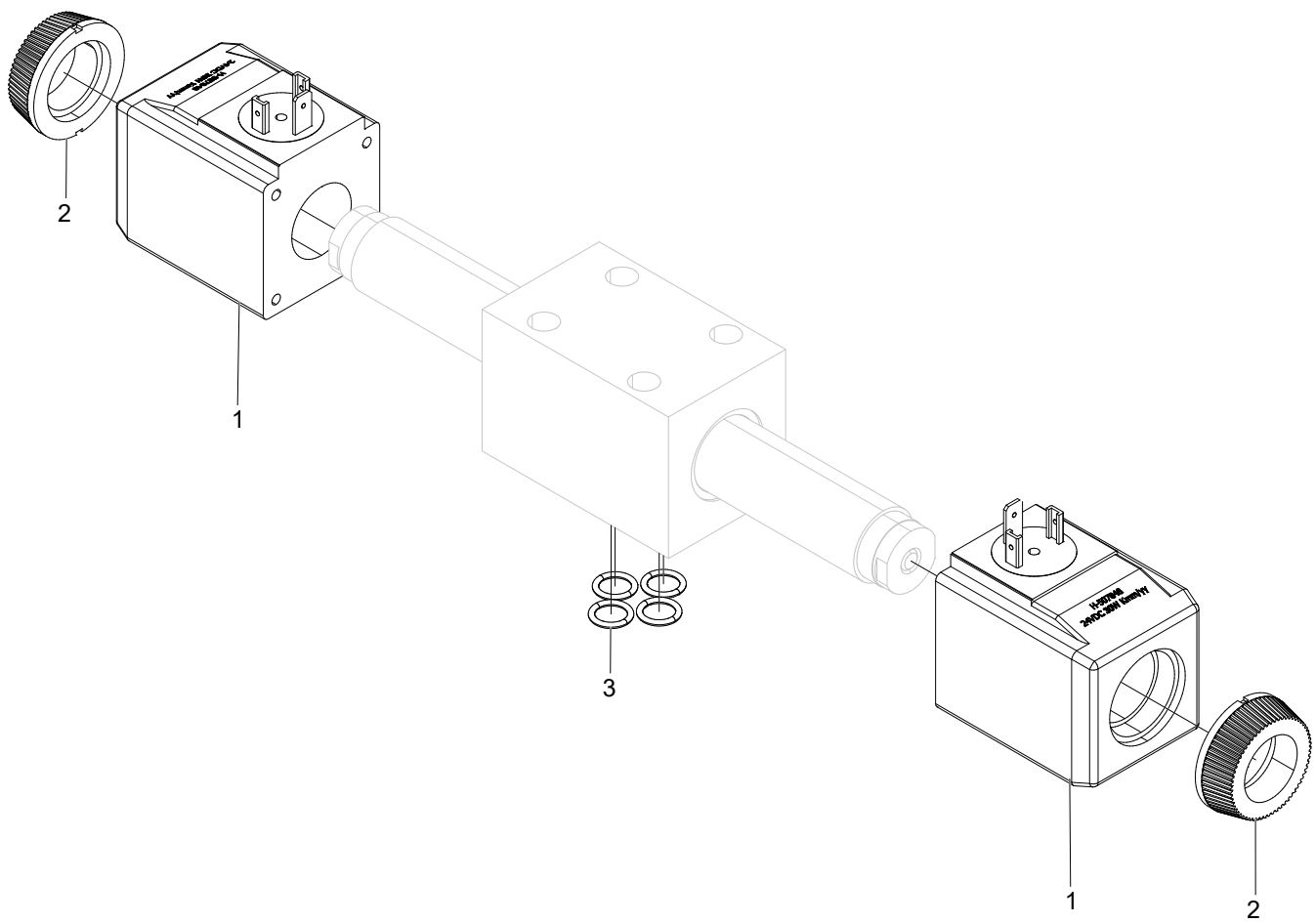
Lower delimiting knife section, low pressure

Structure 614111-10				
Pos.	Part no.	Quantity	Description	Specification
1	620397	2	Feed reducer	
2	620377	1	Seal kit	
3	620590	2	Solenoid	
4	620390	1	Cap	EC/PC
5	620342	1	Cap	EC/A036
6	620345	2	Restrictor	1,2 mm
7	620392	1	Spring kit	
8	620570	1	Spool	BTX
9	620510	1	Compensator kt	B
10	620512	1	Compensator kit	G
11	620407	2	Relief valve	190 bar



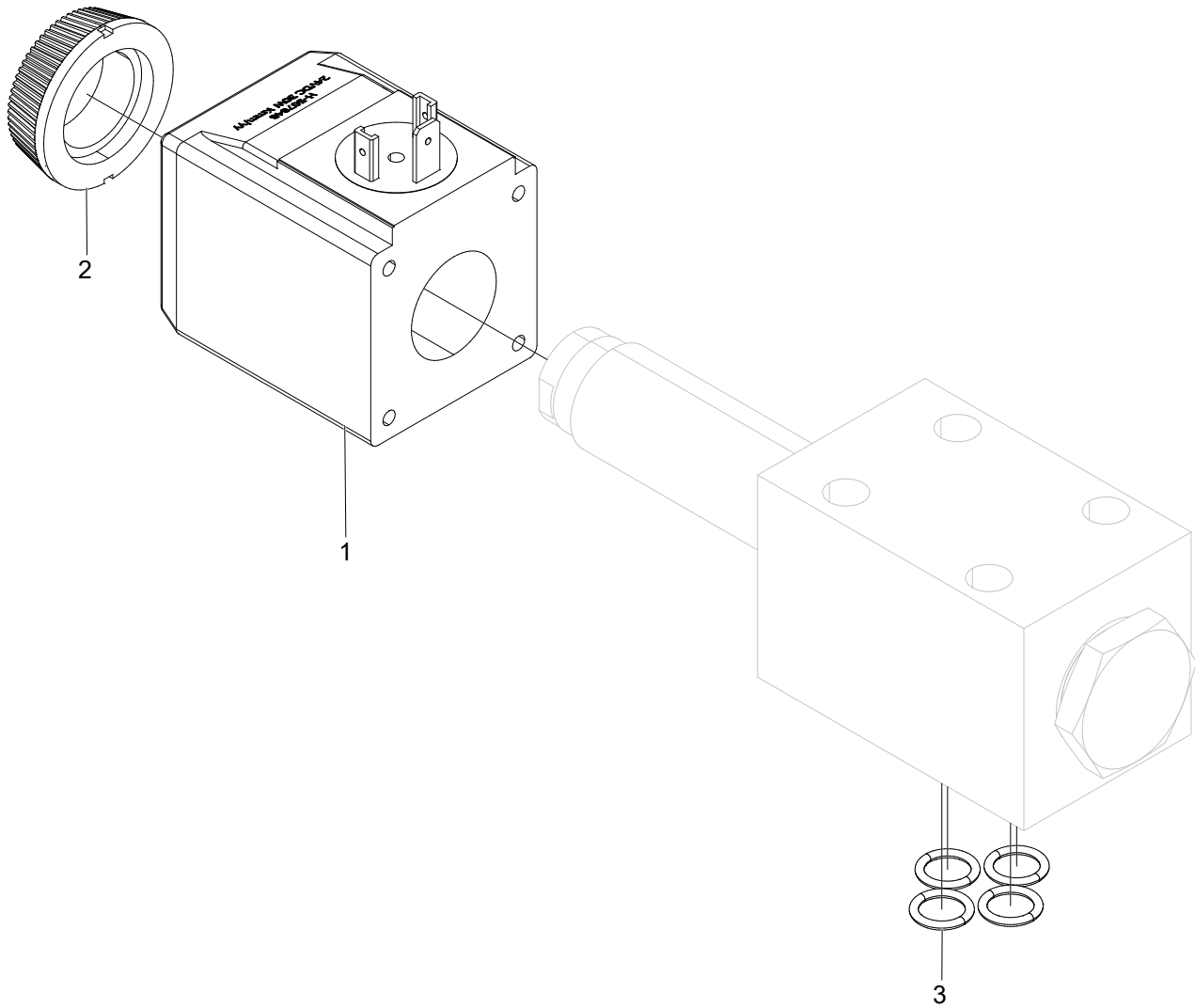
Left manifold, assembly

Structure 018536				
Pos.	Part no.	Quantity	Description	Specification
1	601000	7	Hex plug	1/8"
2	617044	1	Check valve	
3	617013	2	Check valve	
4	619016	2	Pressure reducer	
5	601001	6	Hex plug	1/4"
6	601002	6	Hex plug	3/8"
7	601261	2	Test point	1/4"
8	613017	2	Orifice	M6x2,5
9	617033	6	Pressure reducer	190 bar
10	010280	1	Directional valve	24V
11	011626	1	Directional valve	24V
12	613045	1	Plate	
13	612057	1	Directional valve	24V
14	501029	4	Screw	M5x20 12.9
15	612033	1	Left manifold	
16	501032	4	Screw	M5x35 12.9
17	501031	8	Screw	M5x30 12.9
18	613033	1	Orifice	M5x2
19	018534	1	Manifold	
20	612104	1	Cavity plug	



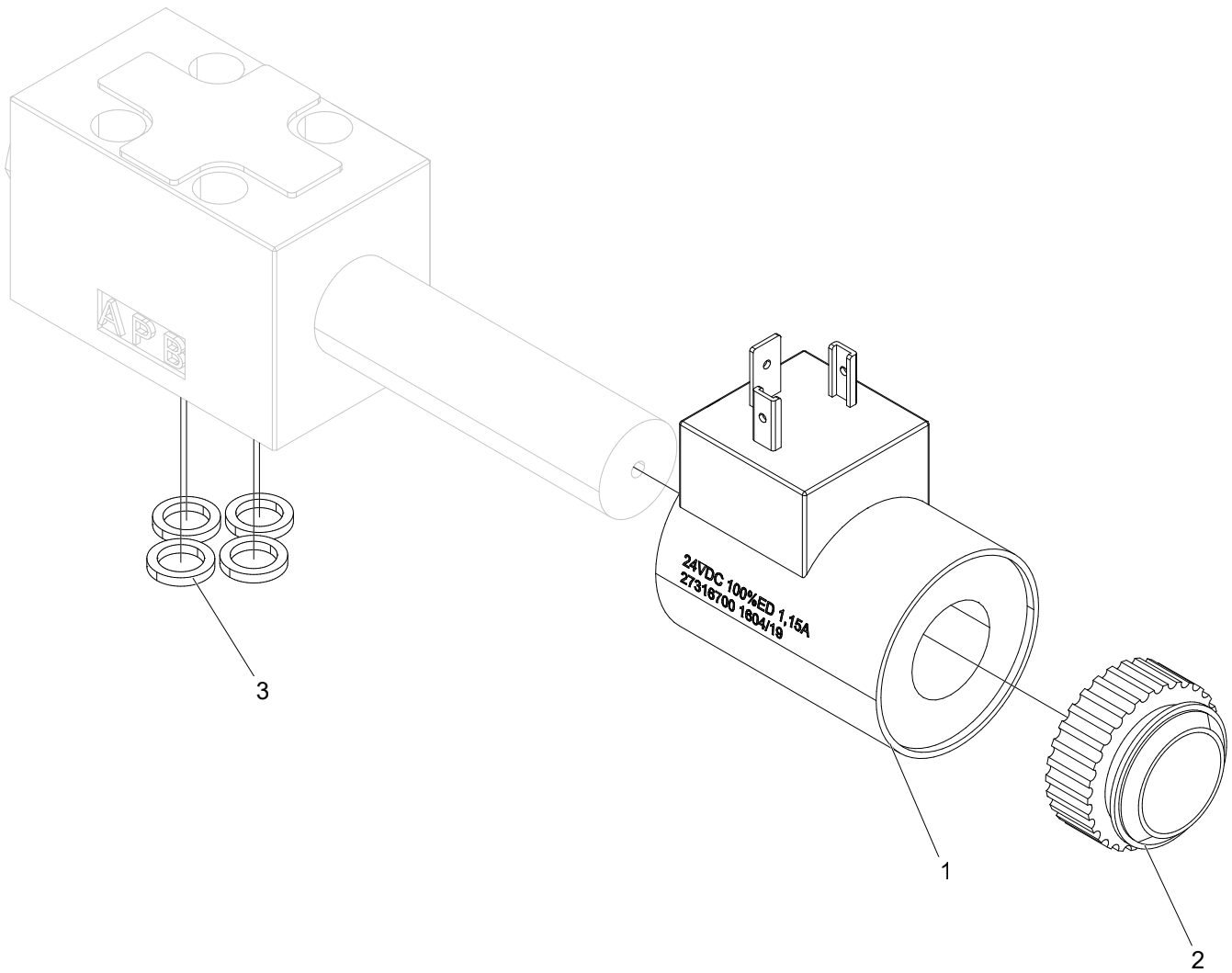
Directional valve

Structure 010280				
Pos.	Part no.	Quantity	Description	Specification
1	613002	2	Solenoid	
2	613059	2	Plastic nut	
3	540038	4	O-ring	9,25x1,78



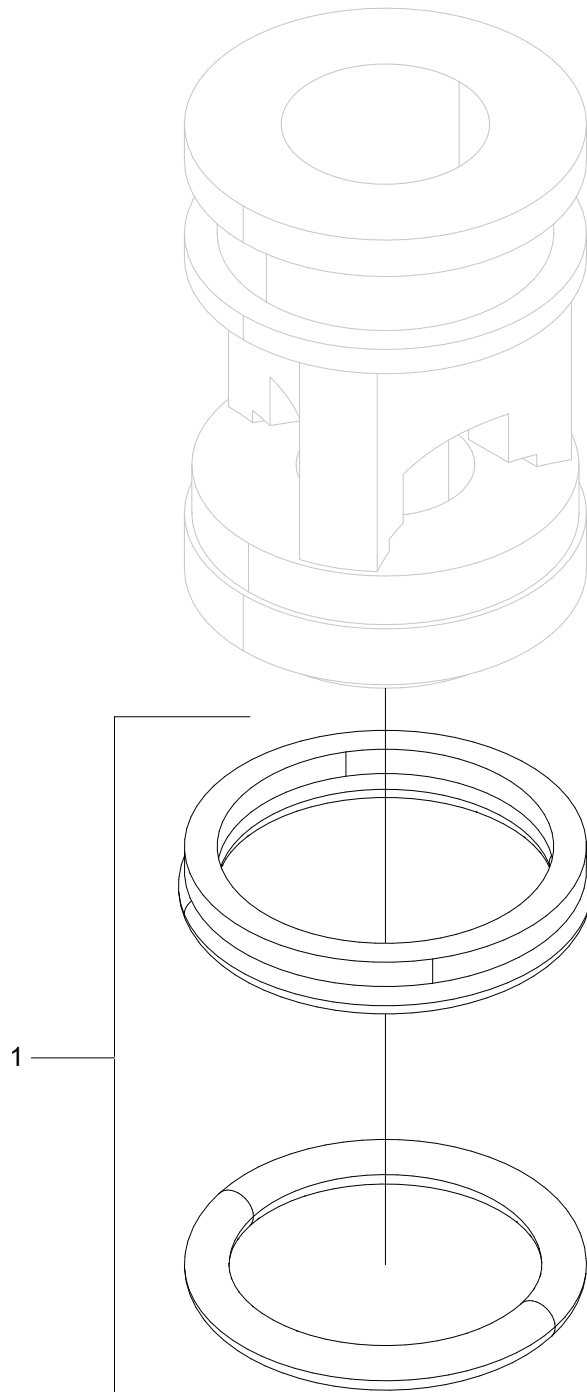
Directional valve

Structure 011626				
Pos.	Part no.	Quantity	Description	Specification
1	613002	1	Solenoid	
2	613059	1	Plastic nut	
3	540038	4	O-ring	9,25x1,78



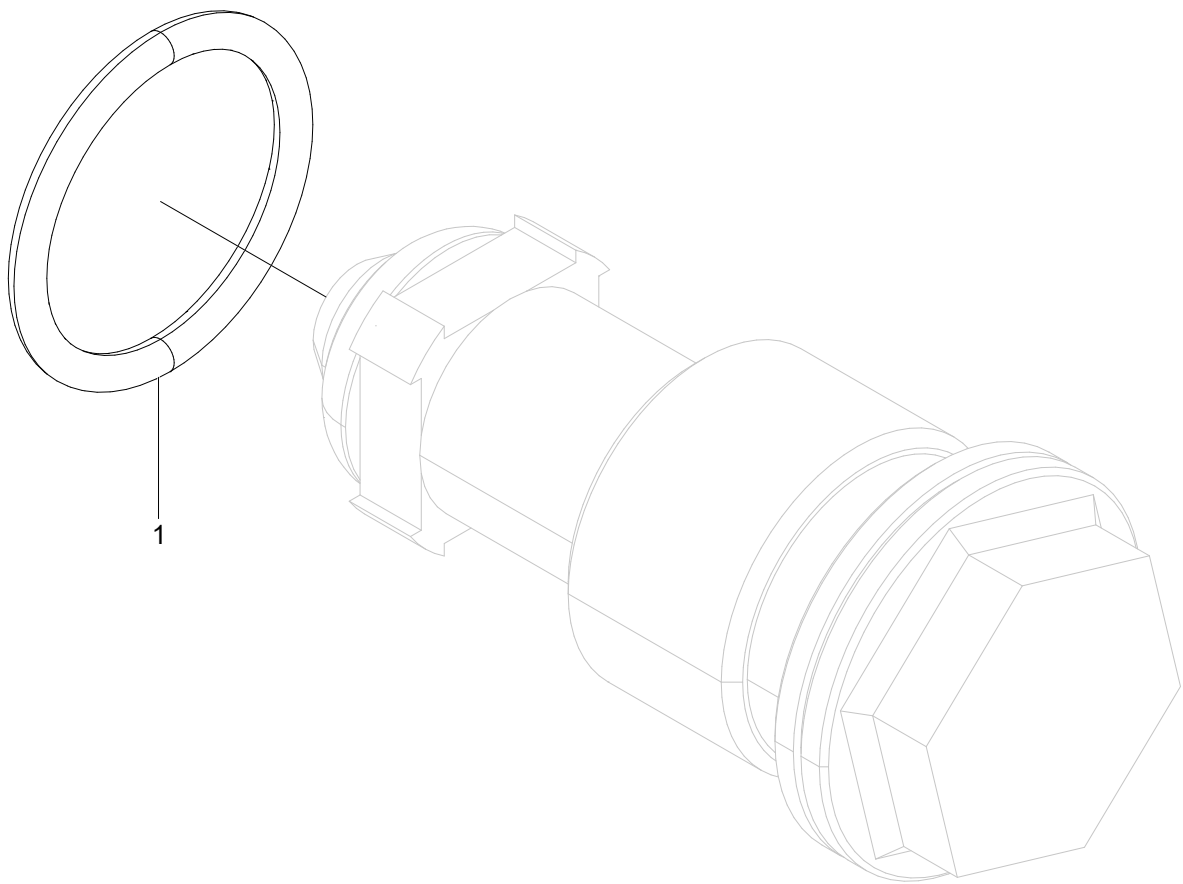
Directional valve

Structure 612057				
Pos.	Part no.	Quantity	Description	Specification
1	613069	1	Solenoid	
2	613105	1	Plastic nut	
3	540037	4	O-ring	7,65x1,68



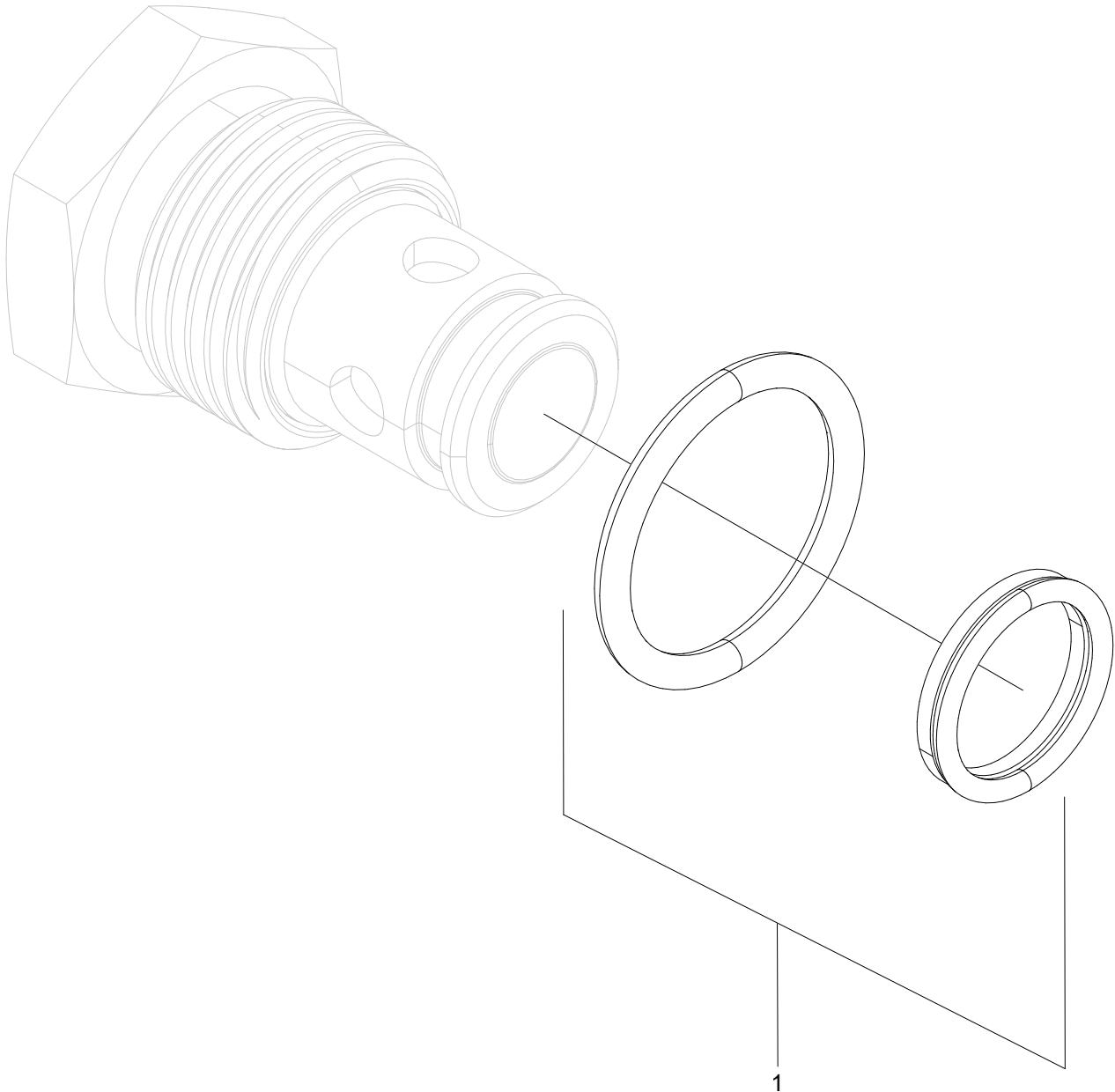
Check valve

Structure 617013				
Pos.	Part no.	Quantity	Description	Specification
1	620356	1	Seal kit	



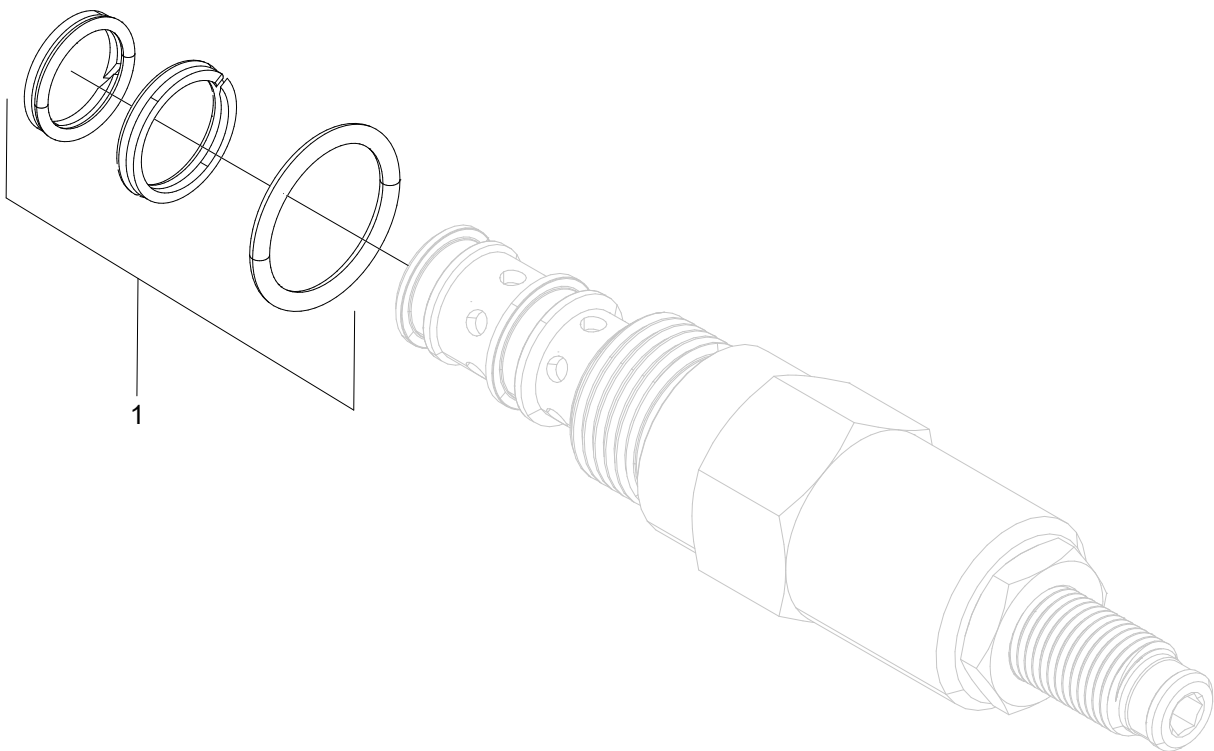
Pressure reducer valve 190 bar

Structure 617033				
Pos.	Part no.	Quantity	Description	Specification
1	540043	1	O-ring	15,6x1,78



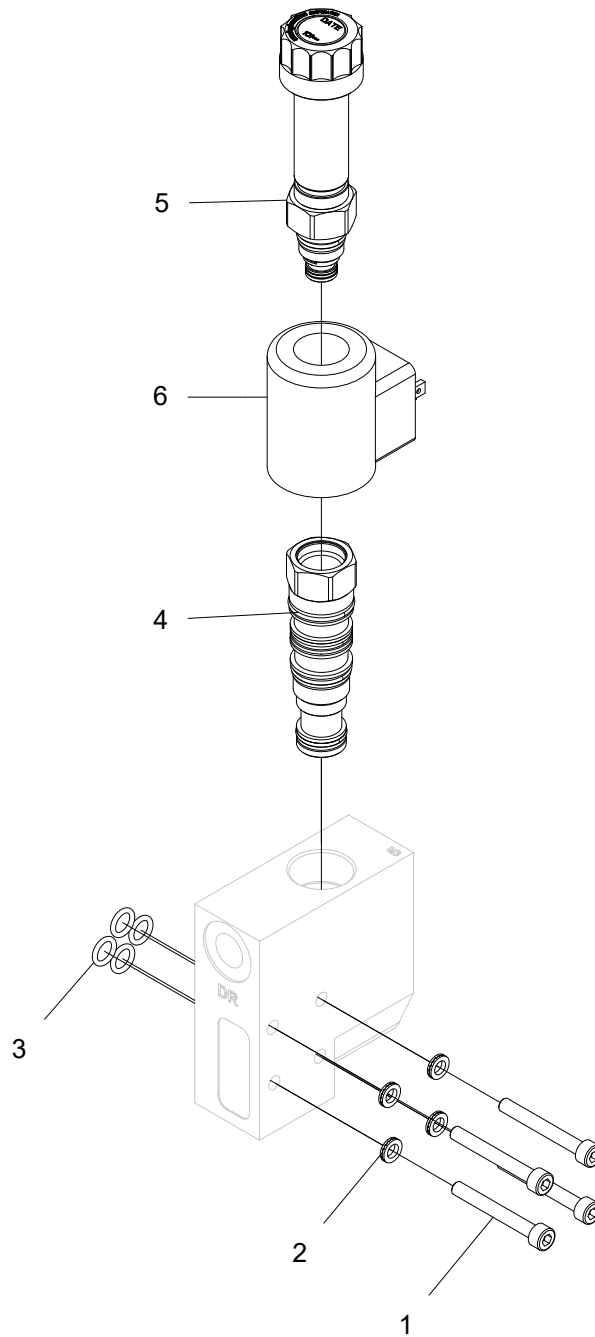
Check valve

Structure 617044				
Pos.	Part no.	Quantity	Description	Specification
1	620351	1	Seal kit	



Pressure reducer valve

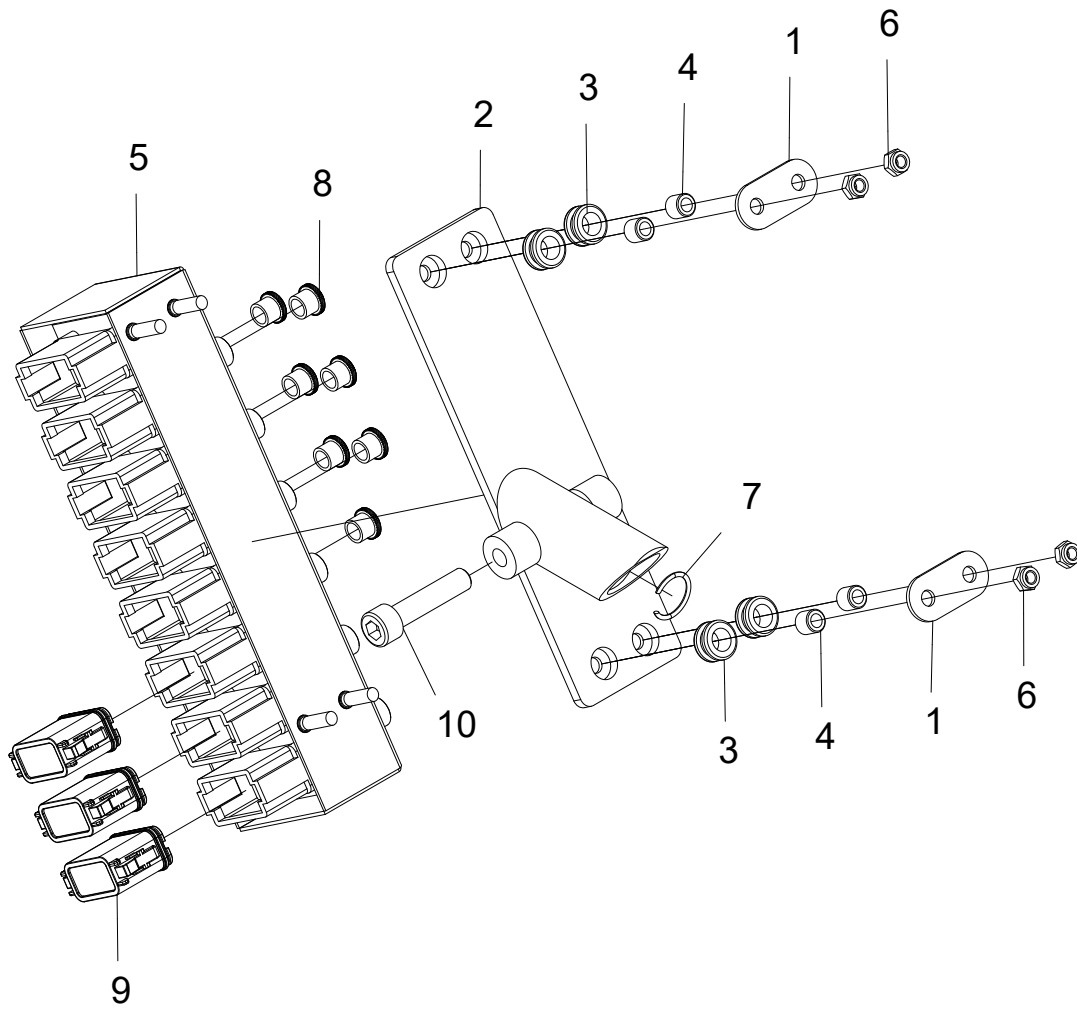
Structure 619016				
Pos.	Part no.	Quantity	Description	Specification
1	620352	1	Seal kit	



Manifold

Structure 018534				
Pos.	Part no.	Quantity	Description	Specification
1	501033	4	Screw	M5x40 12.9
2	503066	4	Washer	NL5
3	540036	4	O-ring	7,65x1,78
4	612082	1	Pressure reducer	
5	612068	1	Pressure reducer	
6	612069	1	Solenoid	

Control system



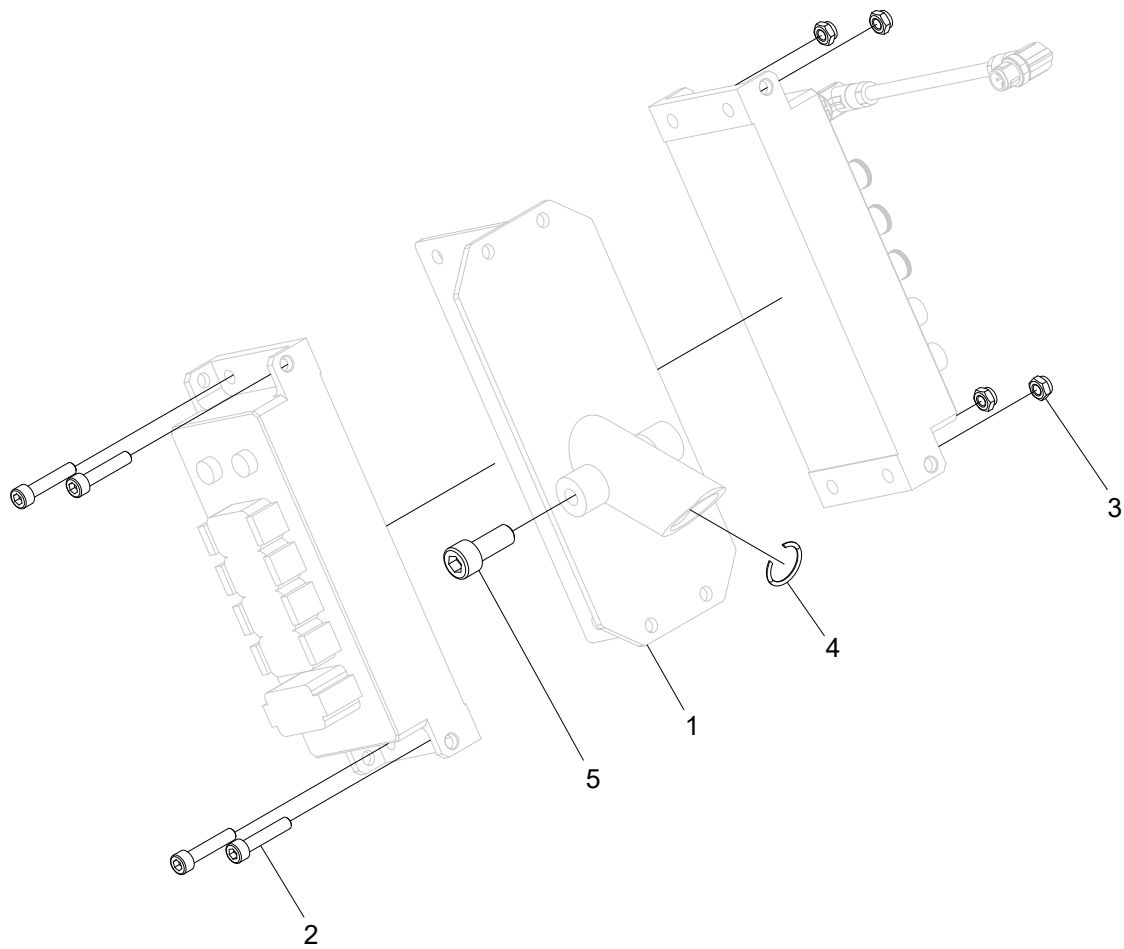
Log Mate 510

Structure 045558				
Pos.	Part no.	Quantity	Description	Specification
1	016852	4	Washer	
2	018838	1	Bracket	
3	402059	4	Rubberbushing	
4	402585	4	Spacer	
5	402610-08	1	LHM module	
6	502053	4	Nut	M6
7	517004	1	Circlip	
8	401310	7	Cover	M12
9	402083	3	Plug	
10	501093	1	Screw	M10x45 12.9

Log Mate 510 cable list

Structure				
Pos.	Part no.	Quantity	Description	Specification
	673231	1	Cable 1	
	673232	1	Cable 2	
	673234	1	Cable 4	
	673236	1	Cable 5	
	673237	1	Cable 7	
	673238	1	Cable 8	
	673239	1	Cable 9	
	673240	1	Cable 10	
	402571	2	Cable	
	673233	1	Cable 3	
	673245	1	Cable 14	
	017325	1	Cable 15/16/22	
	673241	1	Cable 6	
	673243	1	Cable 17	
	673242	1	Cable 6	
	673244	1	Cable 17	
	673248	1	Cable 34	
	673246	1	Cable 12/13	
	673249	1	Cable 18	
	673250	1	Cable 19	
	673259	1	Cable 42/43	
	673260	1	Cable 12/13	
	673253	1	Cable 25/26/32	
	673254	1	Cable 25/26/32	
	673256	1	Cable 32	
	673255	1	Cable 25/26/32	
	673257	1	Cable 25	
	673258	1	Cable 26	
	673247	1	Cable 23	
	673251	1	Cable 27	
	673252	1	Cable 36	

Structure				
Pos.	Part no.	Quantity	Description	Specification
	014221	1	Bracket	
	622061	1	Clamp	
	501045	1	Screw	M6x16 12.9
	503065	1	Washer	NL6
	402098	1	Holder	
	500065	1	Screw	M10x16 8.8 FZB
	503057	1	Washer	NL10
	402080	5	Plug	
	402086	5	Spline	
	402077	36	Plug	



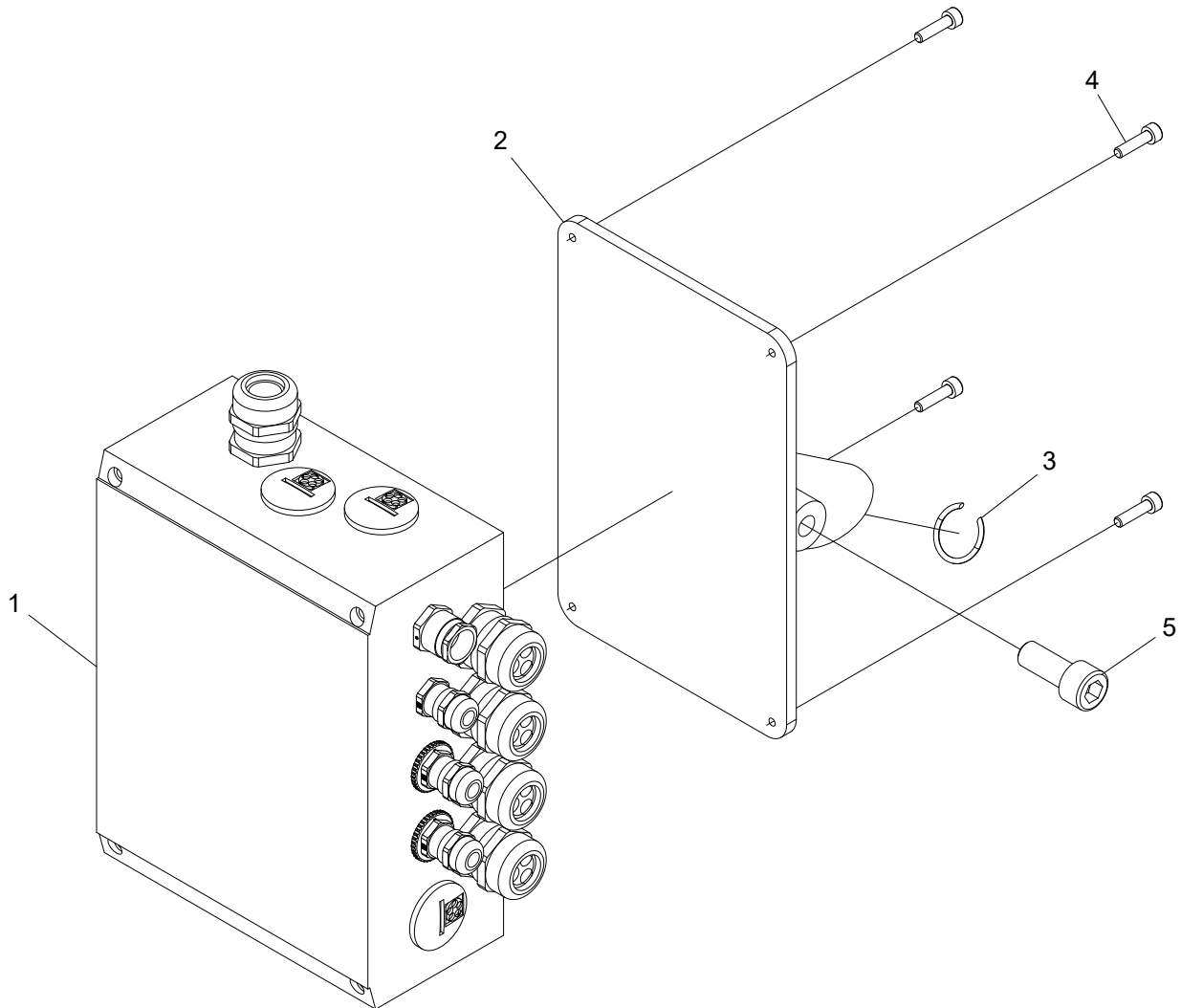
Dasa Forester

Structure 043625				
Pos.	Part no.	Quantity	Description	Specification
1	018839	1	Bracket	
2	501049	4	Screw	M6x30 12.9
3	502053	4	Nut	M6
4	517004	1	Circlip	
5	501089	1	Screw	M10x25 12.9

Dasa Forester cable list

Structure				
Pos.	Part no.	Quantity	Description	Specification
	673261	1	Cable 1	
	673262	1	Cable 2	
	673263	1	Cable 3	
	673264	1	Cable 4	
	673265	1	Cable 4	
	673266	1	Cable 7	
	673267	1	Cable 8	
	673268	1	Cable 9	
	673269	1	Cable 10	
	673274	1	Cable 14	
	402574	2	Cable	M12
	402112	1	Plug	
	402113	1	Plug	
	402114	1	Plug	
	402115	1	Plug	
	402116	4	Spline	
	402111	24	Plug	
	017325	1	Cable 15/16/22	
	673270	1	Cable 6	
	673272	1	Cable 17	
	673271	1	Cable 6	True-Cut
	673273	1	Cable 17	True-Cut
	673277	1	Cable 34	
	673275	1	Cable 12/13	
	014221	1	Bracket	
	622061	1	Clamp	
	501045	1	Screw	M6x16 12.9
	503065	1	Washer	NL6
	673282	1	Cable 25/26/32	
	673254	1	Cable 25/26/32	
	673256	1	Cable 32	
	673255	1	Cable 25/26/32	
	402098	1	Holder	

Structure				
Pos.	Part no.	Quantity	Description	Specification
	673278	1	Cable 18	
	673279	1	Cable 19	
	673285	1	Cable 42/43	
	673286	1	Cable 12/13	
	673283	1	Cable 25	
	673284	1	Cable 26	
	673276	1	Cable 23	
	673280	1	Cable 27	
	673281	1	Cable 36	
	500065	1	Screw	M10x16 8.8 FZB
	503057	1	Washer	NL10



Interface

Structure 043626				
Pos.	Part no.	Quantity	Description	Specification
1	402205	1	Terminal box	
2	018840	1	Bracket	
3	517004	1	Circlip	
4	501015	4	Screw	M4x16 12.9
5	501089	1	Screw	M10x25 12.9

Interface cable list

Structure				
Pos.	Part no.	Quantity	Description	Specification
	673287	1	Cable 1	
	673288	1	Cable 2	
	673289	1	Cable 3	
	673290	1	Cable 4	
	673291	1	Cable 5	
	673292	1	Cable 7	
	673293	1	Cable 8	
	673294	1	Cable 9	
	673295	1	Cable 10	
	673300	1	Cable 14	
	673303	1	Cable 21	
	673304	1	Cable 20	
	673302	1	Cable 15/16/22	
	673296	1	Cable 6	
	673298	1	Cable 17	
	673297	1	Cable 6	True-Cut
	673299	1	Cable 17	True-Cut
	673306	1	Cable 34	
	673301	1	Cable 12/13	
	014221	1	Bracket	
	622061	1	Clamp	
	501045	1	Screw	M6x16 12.9
	503065	1	Washer	NL6
	673311	1	Cable 25/26/32	
	673254	1	Cable 25/26/32	
	673256	1	Cable 32	
	673255	1	Cable 25/26/32	
	402098	1	Holder	
	500065	1	Screw	M10x16 8.8 FZB
	503057	1	Washer	NL10
	673307	1	Cable 18	
	673308	1	Cable 19	
	673312	1	Cable 25	

Structure				
Pos.	Part no.	Quantity	Description	Specification
	673313	1	Cable 26	
	673305	1	Cable 23	
	673309	1	Cable 27	
	673310	1	Cable 36	

Hose kits

Hose kit Log Max 6000V

Crane kit EcoLog, Forester

From Head no. XXXXXX

Language en

Part No. 644612/XXXXXX

V. 210705

Crimp. = Crimp diameter | cyl. = cylinder | Ex. = External | L. = Left | Lo. = Lower | Mani. = Manifold
 Meas. Wheel = Measuring Wheel | No. = number | Pres. Rating = Pressure Rating | Red. = Reducer | R. = Right
 SBR = Saw Bar Rescue | Str. = Straight | Stump treatm. = Stump treatment | Tot. = Total | U. = Upper | WEOPI = WEO Plug-In

Hose no.	Connections		Fittings		Ferrules		Length		Hose type			Note
	Connection 1	Connection 2	Fitting 1	Part no.	Part no.	Total	Cut	Size	Pres. Rating	Part no.	Standard	
			Fitting 2									
644682	Swivel		ORFS -04 90	601522	601125	1446 mm	1446 mm	1/4"	450 bar	615071	EN 857 2SC	
	Stump treatm.		ORFS -04 Str.	601521	601125	1400 mm	1400 mm	450 bar	450 bar			
649127	Crane		BSP -04 Str.	601150	601125	3650 mm	3650 mm	1/4"	450 bar	615071	EN 857 2SC	Marked Stump treatm.
	Stump treatm. 1		ORFS -04 Str.	601521	601125	3650 mm	3650 mm	450 bar	450 bar			
649134	Crane		BSP -04 Str.	601150	601125	3650 mm	3650 mm	1/4"	450 bar	615071	EN 857 2SC	Marked Grease
	Adapter Grease		ORFS -04 Str.	601521	601125	3650 mm	3650 mm	450 bar	450 bar			
649129	Crane		BSP -08 Str.	601152	601130	3340 mm	3340 mm	1/2"	470 bar	615035	EN 857 2SC	Marked DR
	R. Manifold S1 DR3		ORFS -12 Str.	601565	601130	3340 mm	3340 mm	470 bar	470 bar			
649131	Crane		BSP -12 Str.	601153	601371	3620 mm	3620 mm	3/4"	345 bar	615080	SAE 100 R13	Marked EL
	Bracket frame		ORFS -12 Str.	601284	601371	3620 mm	3620 mm	345 bar	345 bar			
649128	Crane		BSP -16 Str.	601157	601142	3300 mm	3300 mm	1"	345 bar	615081	SAE 100 R13	Marked P
	R. Manifold S1 P		ORFS -16 Str.	601277	601142	3300 mm	3300 mm	345 bar	345 bar			
649130	Crane		BSP -16 Str.	601157	601142	3300 mm	3300 mm	1"	345 bar	615081	SAE 100 R13	Marked T
	R. Manifold S1 T		ORFS -16 Str.	601277	601142	3300 mm	3300 mm	345 bar	345 bar			

Hose kit Log Max 6000V

Crane kit EcoLog, LM510

From Head no. 160919

Language en

Part No. 644615/160919

V. 210705

Crimp. = Crimp diameter | cyl. = cylinder | Ex. = External | L. = Left | Lo. = Lower | Mani. = Manifold

Meas. Wheel = Measuring Wheel | No. = number | Pres. Rating = Pressure Rating | Red. = Reducer | R. = Right

SBR = Saw Bar Rescue | Str. = Straight | Stump treatm. = Stump treatment | Tot. = Total | U. = Upper | WEOPI = WEO Plug-In

Hose no.	Connections	Fittings		Ferrules	Length	Hose type			Note	
		Connection 1	Connection 2			Part no.	Size	Part no.		Hose guard
		Fitting 1	Fitting 2			Part no.	Pres. Rating	Standard		
644682	Swivel	ORFS -04 90	601522	601125	1446 mm	1/4"	615071			
	Stump treatm.	ORFS -04 Str.	601521	601125	1400 mm	450 bar	EN 857 2SC			
649127	Crane	BSP -04 Str.	601150	601125	3650 mm	1/4"	615071	Marked Stump treatm.		
	Stump treatm. 1	ORFS -04 Str.	601521	601125	3650 mm	450 bar	EN 857 2SC			
649134	Crane	BSP -04 Str.	601150	601125		1/4"	615071	Marked Grease		
	Adapter Grease	ORFS -04 Str.	601521	601125	3650 mm	450 bar	EN 857 2SC			
649129	Crane	BSP -08 Str.	601152	601130	3340 mm	1/2"	615035	Marked DR		
	R. Manifold S1 DR3	ORFS -12 Str.	601565	601130	3340 mm	470 bar	EN 857 2SC			
649133	Crane	BSP -12 Str.	601153	601371	3620 mm	3/4"	615080	Marked EL		
	Bracket frame	ORFS -16 Str.	601587	601371	3620 mm	345 bar	SAE 100 R13			
649128	Crane	BSP -16 Str.	601157	601142	3300 mm	1"	615081	Marked P		
	R. Manifold S1 P	ORFS -16 Str.	601277	601142	3300 mm	345 bar	SAE 100 R13			
649130	Crane	BSP -16 Str.	601157	601142	3300 mm	1"	615081	Marked T		
	R. Manifold S1 T	ORFS -16 Str.	601277	601142	3300 mm	345 bar	SAE 100 R13			

Hose kit Log Max 6000V
General Hose Kit

From Head no. 161031

Language **en**

Part No. **648000/161031**

V. 210705

Crimp. = Crimp diameter | cyl. = cylinder | Ex. = External | L. = Left | Lo. = Lower | Mani. = Manifold
Meas. Wheel = Measuring Wheel | No. = number | Pres. Rating = Pressure Rating | Red. = Reducer | R. = Right
SBR = Saw Bar Rescue | Str. = Straight | Stump treatm. = Stump treatment | Tot. = Total | U. = Upper | WEOPI = WEO Plug-In

Hose no.	Connections		Fittings		Ferrules	Length	Hose type			Note	
	Connection 1	Connection 2	Fitting 1	Fitting 2			Part no.	Total	Hose type		
									Size		Part no.
				Part no.	Cut	Pres. Rating	Standard	Hose guard			
615050	Hose guard					650 mm	1"				
	Felling link cyl.										
615051	Hose guard					1300 mm	2"				
	Roller motor										
648029	Meas. Wheel cyl. Grease		ORFS -04 45		601525	190 mm	1/4"	615091	265°		
	Grease point frame		ORFS -04 90		601522	130 mm	290 bar	EN 857 1SC			
648031	Grease hole frame		BSP -02 Banjo		601531	225 mm	1/4"	615091	50°		
	Lo. Knife cyl.		BSP -02 Banjo		601531	170 mm	290 bar	EN 857 1SC			
648065	Easy Greasy		ORFS -04 45		601525	600 mm	1/4"	615091	185°		
	Saw motor R		ORFS -04 90		601522	530 mm	290 bar	EN 857 1SC			
648026	Air bleed oil tank		ORFS -04 90		601522	530 mm	1/4"	615071			
			BSP -04 Str. Ex.		601159	470 mm	450 bar	EN 857 2SC			
648034	L. Manifold SM		ORFS -04 90		601522	180 mm	1/4"	615071			
	Test Point SM		ORFS -04 Str.		601521	130 mm	450 bar	EN 857 2SC			
648035	L. Manifold P2		ORFS -04 90		601522	210 mm	1/4"	615071			
	Test Point P2		ORFS -04 Str.		601521	160 mm	450 bar	EN 857 2SC			
648038	R. Manifold S1 PM2		ORFS -04 90		601522	865 mm	1/4"	615071	110°		
	L. Manifold PS		ORFS -04 90		601522	810 mm	450 bar	EN 857 2SC			
648056	R. Manifold PS		ORFS -04 90		601522	445 mm	1/4"	615071	95°		
	Meas. Wheel cyl. B		ORFS -04 90		601522	390 mm	450 bar	EN 857 2SC			
648032	R. Manifold S2 B		ORFS -06 90		601542	1575 mm	3/8"	615072			
	Lower Knife cyl. B		ORFS -06 Str.		601541	1510 mm	385 bar	EN 857 2SC			

Hose kit Log Max 6000V

General Hose Kit

From Head no. 161031

Language **en**

Part No. **648000/161031**

V. 210705

Crimp. = Crimp diameter | cyl. = cylinder | Ex. = External | L. = Left | Lo. = Lower | Mani. = Manifold
Meas. Wheel = Measuring Wheel | No. = number | Pres. Rating = Pressure Rating | Red. = Reducer | R. = Right
SBR = Saw Bar Rescue | Str. = Straight | Stump treatm. = Stump treatment | Tot. = Total | U. = Upper | WEOPI = WEO Plug-In

Hose no.	Connections		Fittings		Ferrules Part no.	Length Total Cut	Hose type			Note	
	Connection 1	Connection 2	Fitting 1	Fitting 2			Part no.	Size	Pres. Rating		Standard
			Part no.								
648033	R. Manifold S2 A		ORFS -06 90	601542	601121	1310 mm	3/8"	615072	615072	30°	
	Lower Knife cyl. A		ORFS -06 90	601542	601121	1240 mm	385 bar	EN 857 2SC			
648039	R. Manifold S5 B		ORFS -06 45	601545	601121	390 mm	3/8"	615072	615072	60°	
	R. Knife cyl. B		ORFS -06 90	601542	601121	330 mm	385 bar	EN 857 2SC			
648040	R. Manifold S5 B		ORFS -06 90	601542	601121	495 mm	3/8"	615072	615072	170°	
	L. Knife cyl. B		ORFS -06 90	601542	601121	420 mm	385 bar	EN 857 2SC			
648041	R. Manifold S5 A		ORFS -06 Str.	601541	601121	545 mm	3/8"	615072	615072		
	L. Knife cyl. A		ORFS -06 90	601542	601121	480 mm	385 bar	EN 857 2SC			
648042	R. Manifold S5 A		ORFS -06 90	601542	601121	870 mm	3/8"	615072	615072	310°	
	R. Knife cyl. A		ORFS -06 90	601542	601121	790 mm	385 bar	EN 857 2SC			
648043	L. Manifold A33		ORFS -06 45	601545	601121	1010 mm	3/8"	615072	615072		
	Felling link cyl. A		ORFS -06 Str.	601541	601121	950 mm	385 bar	EN 857 2SC			
648044	L. Manifold B3		ORFS -06 45	601545	601121	1110 mm	3/8"	615072	615072		
	Felling link cyl. B		ORFS -06 Str.	601541	601121	1050 mm	385 bar	EN 857 2SC			
648045	L. Manifold B43		ORFS -06 Str.	601541	601121	415 mm	3/8"	615072	615072		
	Accumulator		ORFS -06 90	601542	601121	350 mm	385 bar	EN 857 2SC			
648046	L. Manifold A42		ORFS -06 90	601542	601121	1005 mm	3/8"	615072	615072		
	L. Roller arm cyl. B		ORFS -06 Str.	601541	601121	940 mm	385 bar	EN 857 2SC			
648047	L. Manifold B42		ORFS -06 90	601542	601121	835 mm	3/8"	615072	615072	240°	
	L. Roller arm cyl. A		ORFS -06 90	601542	601121	760 mm	385 bar	EN 857 2SC			
648048	L. Manifold B41		ORFS -06 90	601542	601121	1040 mm	3/8"	615072	615072	260°	
	R. Roller arm cyl. A		ORFS -06 90	601542	601121	960 mm	385 bar	EN 857 2SC			

Hose kit Log Max 6000V
General Hose Kit
From Head no. 161031

Language **en**
Part No. **648000/161031**
V. 210705

Crimp. = Crimp diameter | cyl. = cylinder | Ex. = External | L. = Left | Lo. = Lower | Mani. = Manifold
Meas. Wheel = Measuring Wheel | No. = number | Pres. Rating = Pressure Rating | Red. = Reducer | R. = Right
SBR = Saw Bar Rescue | Str. = Straight | Stump treatm. = Stump treatment | Tot. = Total | U. = Upper | WEOPI = WEO Plug-In

Hose no.	Connections		Fittings		Ferrules	Length	Hose type			Note	
	Connection 1	Connection 2	Fitting 1	Part no.			Total	Size	Part no.		Standard
			Fitting 2								
648049	L. Manifold A43		ORFS -06 90	601542	601121	1365 mm	3/8"	615072			
648052	R. Roller arm cyl. B		ORFS -06 Str.	601541	601121	1300 mm	385 bar	EN 857 2SC			
	R. Manifold S1 DR1		BSP -06 Banjo	601148	601121	610 mm	3/8"	615072	15°		
	R. Roller motor 1		ORFS -06 90	601543	601121	550 mm	385 bar	EN 857 2SC			
	R. Manifold S1 DR2		ORFS -06 45	601545	601121	1070 mm	3/8"	615072	195°		
648057	L. Roller motor 1		ORFS -06 90	601542	601121	990 mm	385 bar	EN 857 2SC			
	L. Manifold B51		BSP -06 90	601161	601121	275 mm	3/8"	615072	300°		
	Accumulator		BSP -06 90	601161	601121	220 mm	385 bar	EN 857 2SC			
	Accumulator		BSP -06 90	601161	601121	335 mm	3/8"	615072	205°		
648059	Meas. Wheel cyl. A		BSP -06 45	601176	601121	250 mm	385 bar	EN 857 2SC			
	L. Manifold DR		ORFS -06 Str.	601541	601121	390 mm	3/8"	615072			
648130	R. Manifold S1 DR2		ORFS -06 45	601545	601121	320 mm	385 bar	EN 857 2SC			
	Meas. Wheel Arm		ORFS -06 90	601542	601121	881 mm	3/8"	615072			
648036	Bracket frame				601121	850 mm	385 bar	EN 857 2SC			
	R. Manifold S1 PR		ORFS -08 Str.	601099	601122	290 mm	1/2"	615073			
648037	L. Manifold P3		ORFS -08 90	601098	601122	210 mm	345 bar	EN 857 2SC			
	R. Manifold S1 T3		ORFS -08 Str.	601099	601122	295 mm	1/2"	615073			
	L. Manifold T3		ORFS -08 90	601098	601122	220 mm	345 bar	EN 857 2SC			
648050	R. Manifold S3 B		ORFS -10 90	601571	601579	800 mm	5/8"	615037	140°		
	R. Roller motor L		ORFS -10 90	601571	601579	705 mm	410 bar	EN 857 2SC			
648051	R. Manifold S3 A		ORFS -10 90	601571	601579	800 mm	5/8"	615037	225°		
	R. Roller motor R		ORFS -10 90	601571	601579	705 mm	410 bar	EN 857 2SC			

Hose kit Log Max 6000V

Language en

General Hose Kit

Part No. 648000/161031

From Head no. 161031

V. 210705

Crimp. = Crimp diameter | cyl. = cylinder | Ex. = External | L. = Left | Lo. = Lower | Mani. = Manifold
 Meas. Wheel = Measuring Wheel | No. = number | Pres. Rating = Pressure Rating | Red. = Reducer | R. = Right
 SBR = Saw Bar Rescue | Str. = Straight | Stump treatm. = Stump treatment | Tot. = Total | U. = Upper | WEOPI = WEO Plug-In

Hose no.	Connections		Fittings		Ferrules	Length	Hose type			Note	
	Connection 1	Connection 2	Fitting 1	Fitting 2			Part no.	Size	Pres. Rating		Part no.
			Part no.	Part no.							
648053	R. Manifold S4 B		ORFS -10 90		601571	1220 mm	5/8"	615037	215°		
	L. Rollier motor R		ORFS -10 90		601571	1120 mm	410 bar	EN 857 2SC			
648054	R. Manifold S4 A		ORFS -10 90		601571	1230 mm	5/8"	615037	150°		
	L. Rollier motor L		ORFS -10 90		601571	1130 mm	410 bar	EN 857 2SC			

Hose kit Log Max 6000V

Saw 218 - 19cc

From Head no. 161001

Language en

Part No. 648001/161001

V. 210705

Crimp. = Crimp diameter | cyl. = cylinder | Ex. = External | L. = Left | Lo. = Lower | Mani. = Manifold
 Meas. Wheel = Measuring Wheel | No. = number | Pres. Rating = Pressure Rating | Red. = Reducer | R. = Right
 SBR = Saw Bar Rescue | Str. = Straight | Stump treatm. = Stump treatment | Tot. = Total | U. = Upper | WEOPI = WEO Plug-In

Hose no.	Connections		Fittings		Ferrules	Length	Hose type			Note
	Connection 1	Connection 2	Fitting 1	Fitting 2			Part no.	Size	Part no.	
648078	Grease hole frame		ORFS -04 Str.		601521	335 mm	1/4"	615091		
	Saw motor T		ORFS -04 90		601522	280 mm	290 bar	EN 857 1SC		
648079	L. Manifold A1		ORFS -06 45		601545	1955 mm	3/8"	615072		
	Saw Cyl. B		ORFS -06 Str.		601541	1880 mm	385 bar	EN 857 2SC		
648080	L. Manifold B1		ORFS -06 45		601545	1770 mm	3/8"	615072		
	Saw Cyl. A		ORFS -06 Str.		601541	1700 mm	385 bar	EN 857 2SC		
648081	R. Manifold S1 DR4		ORFS -06 90		601542	1895 mm	3/8"	615072		
	Saw motor D		ORFS -06 90		601542	1820 mm	385 bar	EN 857 2SC		
648082	R. Manifold S1 Psaw		ORFS -12 45°		601377	770 mm	3/4"	615005		
	Saw motor valve P		ORFS -12 Str.		601284	665 mm	375 bar	EN 857 2SC		
648083	R. Manifold S1 T4		ORFS -12 45°		601377	1770 mm	3/4"	615074		
	Saw motor B		ORFS -12 Str.		601284	1670 mm	280 bar	EN 857 2SC		
648084	Saw motor valve SP		ORFS -12 45°		601377	535 mm	3/4"	615005		
	Saw motor A		ORFS -12 Str.		601284	430 mm	375 bar	EN 857 2SC		

Hose kit Log Max 6000V

Language **en**

Saw 218 True-Cut

Part No. **648002/161001**

From Head no. 161001

V. 210705

Crimp. = Crimp diameter | cyl. = cylinder | Ex. = External | L. = Left | Lo. = Lower | Mani. = Manifold
Meas. Wheel = Measuring Wheel | No. = number | Pres. Rating = Pressure Rating | Red. = Reducer | R. = Right
SBR = Saw Bar Rescue | Str. = Straight | Stump treatm. = Stump treatment | Tot. = Total | U. = Upper | WEOPI = WEO Plug-In

Hose no.	Connections		Fittings		Ferrules Part no.	Length Total Cut	Hose type		Note
	Connection 1	Connection 2	Fitting 1	Part no.			Size Pres. Rating	Part no. Standard	
			Fitting 2	Part no.					
648078	Grease hole frame		ORFS -04 Str.	601521	601539	335 mm	1/4"	615091	
			Saw motor T	ORFS -04 90	601522	601539	280 mm	290 bar	EN 857 1SC
648085	Saw motor DR		ORFS -06 90	601542	601121	930 mm	3/8"	615072	190°
			SBR DR2	ORFS -06 45	601545	601121	850 mm	385 bar	EN 857 2SC
648086	Saw motor F		ORFS -06 90	601542	601121	2025 mm	3/8"	615072	
			Saw bar feed cyl. B	ORFS -06 Str.	601541	601121	1960 mm	385 bar	EN 857 2SC
648087	SBR A		ORFS -06 45	601545	601121	1400 mm	3/8"	615072	
			Saw bar feed cyl. A	ORFS -06 Str.	601541	601121	1330 mm	385 bar	EN 857 2SC
648088	SBR E		ORFS -06 45	601545	601121	465 mm	3/8"	615072	
			Saw motor E	ORFS -06 Str.	601541	601121	400 mm	385 bar	EN 857 2SC
648089	SBR DR1		ORFS -06 Str.	601541	601121	980 mm	3/8"	615072	
			R. Manifold DR4	ORFS -06 90	601542	601121	910 mm	385 bar	EN 857 2SC
648090	R. Manifold S1 T4		ORFS -12 45°	601377	601123	1625 mm	3/4"	615074	
			Saw motor B	ORFS -12 Str.	601284	601123	1520 mm	280 bar	EN 857 2SC
648091	R. Manifold S1 Psaw		ORFS -12 45°	601377	601371	1480 mm	3/4"	615005	
			Saw motor A	ORFS -12 Str.	601284	601371	1380 mm	375 bar	EN 857 2SC

Hose kit Log Max 6000V
Saw 318 - 19CC
From Head no. 161001

Language **en**
Part No. **648003/161001**
V. 210705

Crimp. = Crimp diameter | cyl. = cylinder | Ex. = External | L. = Left | Lo. = Lower | Mani. = Manifold
Meas. Wheel = Measuring Wheel | No. = number | Pres. Rating = Pressure Rating | Red. = Reducer | R. = Right
SBR = Saw Bar Rescue | Str. = Straight | Stump treatm. = Stump treatment | Tot. = Total | U. = Upper | WEOPI = WEO Plug-In

Hose no.	Connections		Fittings		Ferrules Part no.	Length Total Cut	Hose type			Note	
	Connection 1	Connection 2	Fitting 1	Fitting 2			Part no.	Size	Pres. Rating		Part no. Standard
648078	Grease hole frame		ORFS -04 Str.		601521	335 mm	1/4"	615091			
	Saw motor T		ORFS -04 90		601522	280 mm	290 bar	EN 857 1SC			
648093	Red. Manifold PCT		ORFS -04 90		601522	360 mm	1/4"	615091			
	Saw motor S		ORFS -04 90		601522	300 mm	290 bar	EN 857 1SC			
648095	R. Manifold S1 PS1		ORFS -04 45		601525	1510 mm	1/4"	615091			
	Red. Manifold PS		ORFS -04 45		601525	1430 mm	290 bar	EN 857 1SC			
648079	L. Manifold A1		ORFS -06 45		601545	1955 mm	3/8"	615072			
	Saw Cyl. B		ORFS -06 Str.		601541	1880 mm	385 bar	EN 857 2SC			
648080	L. Manifold B1		ORFS -06 45		601545	1770 mm	3/8"	615072			
	Saw Cyl. A		ORFS -06 Str.		601541	1700 mm	385 bar	EN 857 2SC			
648092	Red. Manifold DR2		ORFS -06 90		601542	175 mm	3/8"	615072	270°		
	Saw motor D		ORFS -06 90		601542	100 mm	385 bar	EN 857 2SC			
648094	R. Manifold S1 DR4		ORFS -06 90		601542	1680 mm	3/8"	615072			
	Red. Manifold DR1		ORFS -06 Str.		601541	1610 mm	385 bar	EN 857 2SC			
648096	Saw motor valve SP		ORFS -12 45°		601377	430 mm	3/4"	615005			
	Saw motor A		ORFS -12 Str.		601284	430 mm	375 bar	EN 857 2SC			
648097	R. Manifold S1 T4		ORFS -12 45°		601377	1770 mm	3/4"	615074			
	Saw motor B		ORFS -12 Str.		601284	1670 mm	280 bar	EN 857 2SC			
648098	R. Manifold S1 Psaw		ORFS -12 45°		601377	770 mm	3/4"	615005			
	Saw motor valve P		ORFS -12 Str.		601284	665 mm	375 bar	EN 857 2SC			

Hose kit Log Max 6000V

Saw 318 True-Cut

From Head no. 161001

Language **en**

Part No. **648004/161001**

V. 210705

Crimp. = Crimp diameter | cyl. = cylinder | Ex. = External | L. = Left | Lo. = Lower | Mani. = Manifold
Meas. Wheel = Measuring Wheel | No. = number | Pres. Rating = Pressure Rating | Red. = Reducer | R. = Right
SBR = Saw Bar Rescue | Str. = Straight | Stump treatm. = Stump treatment | Tot. = Total | U. = Upper | WEOPI = WEO Plug-In

Hose no.	Connections		Fittings		Ferrules Part no.	Length Total Cut	Hose type		Note
	Connection 1	Connection 2	Fitting 1	Part no.			Size	Standard	
			Fitting 2	Part no.					
648078	Grease hole frame		ORFS -04 Str.	601521	601539	335 mm	1/4"	615091	
	Saw motor T		ORFS -04 90	601522	601539	280 mm	290 bar	EN 857 1SC	
648093	Red. Manifold PCT		ORFS -04 90	601522	601539	360 mm	1/4"	615091	
	Saw motor S		ORFS -04 90	601522	601539	300 mm	290 bar	EN 857 1SC	
648095	R. Manifold S1 PS1		ORFS -04 45	601525	601539	1510 mm	1/4"	615091	
	Red. Manifold PS		ORFS -04 45	601525	601539	1430 mm	290 bar	EN 857 1SC	
648086	Saw motor F		ORFS -06 90	601542	601121	2025 mm	3/8"	615072	
	Saw bar feed cyl. B		ORFS -06 Str.	601541	601121	1960 mm	385 bar	EN 857 2SC	
648087	SBR A		ORFS -06 45	601545	601121	1400 mm	3/8"	615072	
	Saw bar feed cyl. A		ORFS -06 Str.	601541	601121	1330 mm	385 bar	EN 857 2SC	
648088	SBR E		ORFS -06 45	601545	601121	465 mm	3/8"	615072	
	Saw motor E		ORFS -06 Str.	601541	601121	400 mm	385 bar	EN 857 2SC	
648089	SBR DR1		ORFS -06 Str.	601541	601121	980 mm	3/8"	615072	
	R. Manifold DR4		ORFS -06 90	601542	601121	910 mm	385 bar	EN 857 2SC	
648092	Red. Manifold DR2		ORFS -06 90	601542	601121	175 mm	3/8"	615072	270°
	Saw motor D		ORFS -06 90	601542	601121	100 mm	385 bar	EN 857 2SC	
648099	SBR DR2		ORFS -06 45	601545	601121	605 mm	3/8"	615072	
	Red. Manifold DR1		ORFS -06 Str.	601541	601121	540 mm	385 bar	EN 857 2SC	
648090	R. Manifold S1 T4		ORFS -12 45°	601377	601123	1625 mm	3/4"	615074	
	Saw motor B		ORFS -12 Str.	601284	601123	1520 mm	280 bar	EN 857 2SC	
648091	R. Manifold S1 Psaw		ORFS -12 45°	601377	601371	1480 mm	3/4"	615005	
	Saw motor A		ORFS -12 Str.	601284	601371	1380 mm	375 bar	EN 857 2SC	

Hose kit Log Max 6000V

Saw 318 - 30cc

From Head no. 161001

Language **en**

Part No. **648005/161001**

V. 210705

Crimp. = Crimp diameter | cyl. = cylinder | Ex. = External | L. = Left | Lo. = Lower | Mani. = Manifold
 Meas. Wheel = Measuring Wheel | No. = number | Pres. Rating = Pressure Rating | Red. = Reducer | R. = Right
 SBR = Saw Bar Rescue | Str. = Straight | Stump treatm. = Stump treatment | Tot. = Total | U. = Upper | WEOPI = WEO Plug-In

Hose no.	Connections		Fittings		Ferrules	Length	Hose type			Note	
	Connection 1	Connection 2	Fitting 1	Fitting 2			Part no.	Total	Size		Part no.
648078	Grease hole frame		ORFS -04 Str.		601521	335 mm	1/4"	615091			
	Saw motor T		ORFS -04 90		601522	280 mm	290 bar	EN 857 1SC			
648093	Red. Manifold PCT		ORFS -04 90		601539	360 mm	1/4"	615091			
	Saw motor S		ORFS -04 90		601539	300 mm	290 bar	EN 857 1SC			
648095	R. Manifold S1 PS1		ORFS -04 45		601539	1510 mm	1/4"	615091			
	Red. Manifold PS		ORFS -04 45		601539	1430 mm	290 bar	EN 857 1SC			
648079	L. Manifold A1		ORFS -06 45		601545	1955 mm	3/8"	615072			
	Saw Cyl. B		ORFS -06 Str.		601541	1880 mm	385 bar	EN 857 2SC			
648080	L. Manifold B1		ORFS -06 45		601545	1770 mm	3/8"	615072			
	Saw Cyl. A		ORFS -06 Str.		601541	1700 mm	385 bar	EN 857 2SC			
648094	R. Manifold S1 DR4		ORFS -06 90		601542	1680 mm	3/8"	615072			
	Red. Manifold DR1		ORFS -06 Str.		601541	1610 mm	385 bar	EN 857 2SC			
648102	Red. Manifold DR2		ORFS -06 90		601542	167 mm	3/8"	615072			
	Saw motor D		ORFS -06 90		601542	95 mm	385 bar	EN 857 2SC			
648098	R. Manifold S1 Psaw		ORFS -12 45°		601377	770 mm	3/4"	615005			
	Saw motor valve P		ORFS -12 Str.		601284	665 mm	375 bar	EN 857 2SC			
648100	R. Manifold S1 T4		ORFS -12 45°		601377	1720 mm	3/4"	615074			
	Saw motor B		ORFS -12 Str.		601284	1610 mm	280 bar	EN 857 2SC			
648101	Saw motor valve SP		ORFS -12 45°		601377	495 mm	3/4"	615005			
	Saw motor A		ORFS -12 Str.		601284	390 mm	375 bar	EN 857 2SC			

Hose kit Log Max 6000V

Language **en**

Hydraulic upper knife

Part No. **648006/161001**

From Head no. 161001

V. 210705

Crimp. = Crimp diameter | cyl. = cylinder | Ex. = External | L. = Left | Lo. = Lower | Mani. = Manifold
 Meas. Wheel = Measuring Wheel | No. = number | Pres. Rating = Pressure Rating | Red. = Reducer | R. = Right
 SBR = Saw Bar Rescue | Str. = Straight | Stump treatm. = Stump treatment | Tot. = Total | U. = Upper | WEOPI = WEO Plug-In

Hose no.	Connections		Fittings		Ferrules		Length		Hose type			Note
	Connection 1	Connection 2	Fitting 1	Part no.	Part no.	Total	Cut	Size	Pres. Rating	Part no.	Standard	
			Fitting 2									
648027	L. Manifold T4		ORFS -04 90	601522	601125	690 mm	690 mm	1/4"	450 bar	615071	615071	
	U. knife Cyl. A		ORFS -04 Str.	601521	601125	635 mm	635 mm	450 bar	450 bar	EN 857 2SC	EN 857 2SC	
648028	L. Manifold A		ORFS -04 90	601522	601125	490 mm	490 mm	1/4"	450 bar	615071	615071	
	U. knife Cyl. B		ORFS -04 Str.	601521	601125	435 mm	435 mm	450 bar	450 bar	EN 857 2SC	EN 857 2SC	

Hose kit Log Max 6000V
Stump treatment Saw 218

Language **en**
Part No. **648007/161001**
V. 210705

From Head no. 161001

Crimp. = Crimp diameter | cyl. = cylinder | Ex. = External | L. = Left | Lo. = Lower | Mani. = Manifold
Meas. Wheel = Measuring Wheel | No. = number | Pres. Rating = Pressure Rating | Red. = Reducer | R. = Right
SBR = Saw Bar Rescue | Str. = Straight | Stump treatm. = Stump treatment | Tot. = Total | U. = Upper | WEOPI = WEO Plug-In

Hose no.	Connections		Fittings		Ferrules	Length	Hose type			Note
	Connection 1	Connection 2	Fitting 1	Fitting 2			Part no.	Size	Part no.	
648062	Stump treatm. 1		ORFS -04 Str.		601125	Total	1460 mm	1/4"	615071	
	Swivel		ORFS -04 90		601125	Cut	1400 mm	450 bar	EN 857 2SC	
648063	Swivel		ORFS -04 90		601125	Total	640 mm	1/4"	615071	
	Saw unit		ORFS -04 90		601125	Cut	580 mm	450 bar	EN 857 2SC	615060 535 mm

Hose kit Log Max 6000V

Language **en**

Stump treatment Saw 318

Part No. **648008/161001**

From Head no. 161001

V. 210705

Crimp. = Crimp diameter | cyl. = cylinder | Ex. = External | L. = Left | Lo. = Lower | Mani. = Manifold
Meas. Wheel = Measuring Wheel | No. = number | Pres. Rating = Pressure Rating | Red. = Reducer | R. = Right
SBR = Saw Bar Rescue | Str. = Straight | Stump treatm. = Stump treatment | Tot. = Total | U. = Upper | WEOPi = WEO Plug-In

Hose no.	Connections		Fittings		Ferrules Part no.	Length Total Cut	Hose type		Note Hose guard
	Connection 1	Connection 2	Fitting 1 Fitting 2	Part no.			Size Pres. Rating	Part no. Standard	
648061	Swivel		ORFS -04 90	601522	601125	640 mm	1/4"	615071	
	Saw unit		ORFS -04 45	601525	601125	580 mm	450 bar	EN 857 2SC	615060 535 mm
648062	Stump treatm. 1		ORFS -04 Str.	601521	601125	1460 mm	1/4"	615071	
	Swivel		ORFS -04 90	601522	601125	1400 mm	450 bar	EN 857 2SC	

Hose kit Log Max 6000V
Color marking equipment

From Head no. 161001

Language **en**
Part No. **648010/161001**
V. 210705

Crimp. = Crimp diameter | cyl. = cylinder | Ex. = External | L. = Left | Lo. = Lower | Mani. = Manifold
Meas. Wheel = Measuring Wheel | No. = number | Pres. Rating = Pressure Rating | Red. = Reducer | R. = Right
SBR = Saw Bar Rescue | Str. = Straight | Stump treatm. = Stump treatment | Tot. = Total | U. = Upper | WEOPI = WEO Plug-In

Hose no.	Connections		Fittings		Ferrules	Length	Hose type		Note											
	Connection 1	Connection 2	Fitting 1	Fitting 2			Part no.	Part no.		Size	Part no.	Standard								
615055	Hose guard					Total Cut														
648020	L. Manifold PM		ORFS -04 Str.		601521	1315 mm	1/4"	615091												
	Color Pump P		ORFS -04 90		601522	1260 mm	290 bar	EN 857 1SC												
648021	R. Manifold S1 DR5		ORFS -04 90		601522	2070 mm	1/4"	615091												
	Color Pump DR		ORFS -04 90		601522	2010 mm	290 bar	EN 857 1SC												
648022	L. Color tank		ORFS -04 Str.		601521	2145 mm	1/4"	615091												
	Color Pump C1T		ORFS -04 90		601522	2090 mm	290 bar	EN 857 1SC												
648023	R. Color tank		ORFS -04 45		601525	1945 mm	1/4"	615091												
	Color Pump C2T		ORFS -04 90		601522	1880 mm	290 bar	EN 857 1SC												
648024	Color Pump C1P		ORFS -04 90		601522	890 mm	1/4"	615091												
	Color Block 1		ORFS -04 45		601525	820 mm	290 bar	EN 857 1SC												
648025	Color Pump C2P		ORFS -04 90		601522	840 mm	1/4"	615091												
	Color Block 2		ORFS -04 45		601525	770 mm	290 bar	EN 857 1SC												

Hose kit Log Max 6000V

Language **en**

Multi-stemming Kit

Part No. **648011/161001**

From Head no. 161001

V. 210705

Crimp. = Crimp diameter | cyl. = cylinder | Ex. = External | L. = Left | Lo. = Lower | Mani. = Manifold
 Meas. Wheel = Measuring Wheel | No. = number | Pres. Rating = Pressure Rating | Red. = Reducer | R. = Right
 SBR = Saw Bar Rescue | Str. = Straight | Stump treatm. = Stump treatment | Tot. = Total | U. = Upper | WEOPI = WEO Plug-In

Hose no.	Connections		Fittings		Ferrules Part no.	Length Total Cut	Hose type		Note Hose guard
	Connection 1	Connection 2	Fitting 1	Part no.			Size Pres. Rating	Part no. Standard	
			Fitting 2	Part no.					
648066	Manifold A		ORFS -06 90	601542	601121	775 mm	3/8"	615072	
	L. Cyl. B		ORFS -06 Str.	601541	601121	710 mm	385 bar	EN 857 2SC	
648067	Manifold B		ORFS -06 90	601542	601121	575 mm	3/8"	615072	40°
	L. Cyl. A		BSP -06 Banjo	601148	601121	510 mm	385 bar	EN 857 2SC	
648068	Manifold A1		ORFS -06 90	601542	601121	655 mm	3/8"	615072	
	R. Cyl. B		ORFS -06 Str.	601541	601121	590 mm	385 bar	EN 857 2SC	
648069	Manifold B1		ORFS -06 90	601542	601121	425 mm	3/8"	615072	110°
	R. Cyl. A		BSP -06 Banjo	601148	601121	362 mm	385 bar	EN 857 2SC	
648070	R. Manifold S1 PM3		ORFS -06 90	601542	601121	2195 mm	3/8"	615072	
	Manifold P		ORFS -06 Str.	601541	601121	2130 mm	385 bar	EN 857 2SC	
648071	L. Manifold T5		ORFS -06 90	601542	601121	2770 mm	3/8"	615072	
	Manifold T		ORFS -06 Str.	601541	601121	2710 mm	385 bar	EN 857 2SC	

Hose kit Log Max 6000V

Multi-stemming Kit with Rotator control

From Head no. 161001

Language **en**
Part No. **648012/161001**

V. 210705

Crimp. = Crimp diameter | cyl. = cylinder | Ex. = External | L. = Left | Lo. = Lower | Mani. = Manifold
 Meas. Wheel = Measuring Wheel | No. = number | Pres. Rating = Pressure Rating | Red. = Reducer | R. = Right
 SBR = Saw Bar Rescue | Str. = Straight | Stump treatm. = Stump treatment | Tot. = Total | U. = Upper | WEOPI = WEO Plug-In

Hose no.	Connections		Fittings		Ferrules	Length	Hose type			Note	
	Connection 1	Connection 2	Fitting 1	Fitting 2			Part no.	Total	Size		Part no.
648070	R. Manifold S1 PM3		ORFS -06 90		601542	Total	3/8"		615072		
						Cut					2195 mm
648071	L. Manifold T5		ORFS -06 90		601541	Total	385 bar		EN 857 2SC		
						Cut					2130 mm
648072	Rotator B		ORFS -04 90		601542	Total	385 bar		615072		
						Cut					2770 mm
648073	Rotator A		ORFS -04 90		601541	Total	1/4"		615071		
						Cut					2710 mm
648074	L. Cyl. B		ORFS -06 Str.		601522	Total	450 bar		EN 857 2SC		
						Cut					50 mm
648075	Cyl. L. A		ORFS -04 90		601522	Total	450 bar		EN 857 2SC		
						Cut					51 mm
648076	Cyl. R. B		ORFS -06 90		601542	Total	385 bar		615072		
						Cut					51 mm
648077	Cyl. R. A		ORFS -06 Str.		601541	Total	385 bar		EN 857 2SC		
						Cut					62 mm
	Manifold AA1		ORFS -06 90		601542	Total	385 bar		615072		
						Cut					62 mm
	Manifold AA2		ORFS -06 90		601542	Total	385 bar		EN 857 2SC		
						Cut					51 mm
	Manifold AB1		ORFS -06 Str.		601541	Total	385 bar		EN 857 2SC		
						Cut					62 mm
	Manifold AB2		ORFS -06 Str.		601541	Total	385 bar		EN 857 2SC		
						Cut					51 mm

Hose kit Log Max 6000V

Rotator control, STD

From Head no. 161001

Language **en**

Part No. **648013/161001**

V. 210705

Crimp. = Crimp diameter | cyl. = cylinder | Ex. = External | L. = Left | Lo. = Lower | Mani. = Manifold

Meas. Wheel = Measuring Wheel | No. = number | Pres. Rating = Pressure Rating | Red. = Reducer | R. = Right

SBR = Saw Bar Rescue | Str. = Straight | Stump treatm. = Stump treatment | Tot. = Total | U. = Upper | WEOPI = WEO Plug-In

Hose no.	Connections		Fittings		Ferrules Part no.	Length Total Cut	Hose type			Note	
	Connection 1	Connection 2	Fitting 1	Fitting 2			Part no.	Size	Hose type		
									Pres. Rating		Standard
648103	L. Manifold A2		ORFS -04 90		601522	601125	2490 mm	1/4"	615071	Marked A 80°	
	Rotator A		ORFS -04 90		601522	601125	2430 mm	450 bar	EN 857 2SC		
648104	L. Manifold B2		ORFS -04 90		601522	601125	2480 mm	1/4"	615071	Marked B 330°	
	Rotator B		ORFS -04 90		601522	601125	2420 mm	450 bar	EN 857 2SC		
615055	Hose guard						600 mm	1/2"			
615049	Hose guard						1200 mm	3/4"			
	Hose guard						600 mm	1/2"			
615049	Hose guard						1300 mm	3/4"			

Hose kit Log Max 6000V

Rotator control, reinforced

From Head no. 161001

Language **en**

Part No. **648014/161001**

V. 210705

Crimp. = Crimp diameter | cyl. = cylinder | Ex. = External | L. = Left | Lo. = Lower | Mani. = Manifold
 Meas. Wheel = Measuring Wheel | No. = number | Pres. Rating = Pressure Rating | Red. = Reducer | R. = Right
 SBR = Saw Bar Rescue | Str. = Straight | Stump treatm. = Stump treatment | Tot. = Total | U. = Upper | WEOPI = WEO Plug-In

Hose no.	Connections		Fittings		Ferrules		Length		Hose type			Note
	Connection 1	Connection 2	Fitting 1	Part no.	Part no.	Total	Cut	Size	Hose type			
			Fitting 2						Part no.	Standard	Hose guard	
648117	L. Manifold A2		ORFS -04 90	601522	601125	2570 mm	2570 mm	1/4"	615071	80° Marked A		
			ORFS -04 90	601522	601125	2510 mm	2510 mm	450 bar	EN 857 2SC			
648118	L. Manifold B2		ORFS -04 90	601522	601125	2560 mm	2560 mm	1/4"	615071	330° Marked B		
			ORFS -04 90	601522	601125	2500 mm	2500 mm	450 bar	EN 857 2SC			
615055	Hose guard					600 mm	600 mm	1/2"				
615049	Hose guard					1300 mm	1300 mm	3/4"				
615055	Hose guard					600 mm	600 mm	1/2"				
615049	Hose guard					1400 mm	1400 mm	3/4"				

Hose kit Log Max 6000V

Universal kit

From Head no. 161001

Language en

Part No. 648015/161001

V. 210705

Crimp. = Crimp diameter | cyl. = cylinder | Ex. = External | L. = Left | Lo. = Lower | Mani. = Manifold
 Meas. Wheel = Measuring Wheel | No. = number | Pres. Rating = Pressure Rating | Red. = Reducer | R. = Right
 SBR = Saw Bar Rescue | Str. = Straight | Stump treatm. = Stump treatment | Tot. = Total | U. = Upper | WEOPI = WEO Plug-In

Hose no.	Connections		Fittings		Ferrules Part no.	Length Total Cut	Hose type			Note	
	Connection 1	Connection 2	Fitting 1	Fitting 2			Part no.	Size	Pres. Rating		Part no.
649128	Crane		BSP -16 Str.		601157	601142	3300 mm	1"	615081	Marked P	
	R. Manifold S1 P		ORFS -16 Str.		601277	601142	3300 mm	345 bar	SAE 100 R13		
649129	Crane		BSP -08 Str.		601152	601130	3340 mm	1/2"	615035	Marked DR	
	R. Manifold S1 DR3		ORFS -12 Str.		601565	601130	3340 mm	470 bar	EN 857 2SC		
649130	Crane		BSP -16 Str.		601157	601142	3300 mm	1"	615081	Marked T	
	R. Manifold S1 T		ORFS -16 Str.		601277	601142	3300 mm	345 bar	SAE 100 R13		
649133	Crane		BSP -12 Str.		601153	601371	3620 mm	3/4"	615080	Marked EL	
	Bracket frame		ORFS -16 Str.		601587	601371	3620 mm	345 bar	SAE 100 R13		

Hose kit Log Max 6000V

Crane kit Rottne

From Head no. 161152

Language **en**

Part No. **648017/161152**

V. 210705

Crimp. = Crimp diameter | cyl. = cylinder | Ex. = External | L. = Left | Lo. = Lower | Mani. = Manifold
 Meas. Wheel = Measuring Wheel | No. = number | Pres. Rating = Pressure Rating | Red. = Reducer | R. = Right
 SBR = Saw Bar Rescue | Str. = Straight | Stump treatm. = Stump treatment | Tot. = Total | U. = Upper | WEOPI = WEO Plug-In

Hose no.	Connections		Fittings		Ferrules	Length	Hose type			Note	
	Connection 1	Connection 2	Fitting 1	Fitting 2			Part no.	Total	Size		Part no.
647917	Swivel		BSP -16 Str.		601157	601142		1"	615081	Marked P	
	Crane		SAE6 -20 Str.		601391	601142	640 mm	345 bar	SAE 100 R13		
647919	Swivel		BSP -16 Str.		601157	601142		1"	615081	Marked T	
	Crane		SAE3 -20 Str.		601392	601142	655 mm	345 bar	SAE 100 R13		
647921	Swivel		BSP -08 Str.		601152	601130		1/2"	615035	Marked DR	
	Crane		SAE3 -12 Str.		601393	601130	700 mm	470 bar	EN 857 2SC		
647923	Harvester head		ORFS -16 Str.		601277	601142		1"	615081	Marked P	
	Swivel		BSP -16 Str.		601157	601142	2990 mm	345 bar	SAE 100 R13		
647924	Harvester head		ORFS -16 Str.		601277	601142		1"	615081	Marked T	
	Swivel		BSP -16 Str.		601157	601142	2990 mm	345 bar	SAE 100 R13		
647925	Harvester head		ORFS -12 Str.		601565	601130		1/2"	615035	Marked DR	
	Swivel		BSP -08 Str.		601152	601130	3050 mm	470 bar	EN 857 2SC		

Hose kit Log Max 6000V

Language **en**

Miscellaneous hoses

Part No. **648019/XXXXXX**

From Head no. **XXXXXX**

V. 210705

Crimp. = Crimp diameter | cyl. = cylinder | Ex. = External | L. = Left | Lo. = Lower | Mani. = Manifold
 Meas. Wheel = Measuring Wheel | No. = number | Pres. Rating = Pressure Rating | Red. = Reducer | R. = Right
 SBR = Saw Bar Rescue | Str. = Straight | Stump treatm. = Stump treatment | Tot. = Total | U. = Upper | WEOPI = WEO Plug-In

Hose no.	Connections		Fittings		Ferrules	Length	Hose type			Note	
	Connection 1	Connection 2	Fitting 1	Fitting 2			Part no.	Size	Pres. Rating		Part no.
			Part no.	Standard							
648061	Swivel		ORFS -04 90		601125	640 mm	1/4"		615071		
	Saw unit		ORFS -04 45		601125	580 mm	450 bar		EN 857 2SC	615060 535 mm	
648062	Stump treatm. 1		ORFS -04 Str.		601125	1460 mm	1/4"		615071	Stump treatm.	
	Swivel		ORFS -04 90		601125	1400 mm	450 bar		EN 857 2SC		
648064	Adapter Grease		ORFS -04 Str.		601125	1760 mm	1/4"		615071	Stump treatm.	
	Saw motor R		ORFS -04 90		601125	1700 mm	450 bar		EN 857 2SC		
648129	Protective hose					850 mm	1/4"		615091	Find End, Laser	
	Find End				601125	850 mm	290 bar		EN 857 1SC		
648131	PS L. Manifold		ORFS -04 90		601125	462 mm	1/4"		615071	Filter kit	
	Filter		BSP -04 Str.		601125	400 mm	450 bar		EN 857 2SC		
648132	PS R. Manifold		ORFS -04 90		601125	312 mm	1/4"		615071	Filter kit	
	Filter		BSP -04 Str.		601125	250 mm	450 bar		EN 857 2SC		

Hose kit Log Max 6000V

HX30, STD

From Head no. 161XXX

Language **en**

Part No. **648201/161XXX**

V. 210705

Crimp. = Crimp diameter | cyl. = cylinder | Ex. = External | L. = Left | Lo. = Lower | Mani. = Manifold
 Meas. Wheel = Measuring Wheel | No. = number | Pres. Rating = Pressure Rating | Red. = Reducer | R. = Right
 SBR = Saw Bar Rescue | Str. = Straight | Stump treatm. = Stump treatment | Tot. = Total | U. = Upper | WEOPI = WEO Plug-In

Hose no.	Connections		Fittings		Ferrules		Length Total Cut	Hose type			Note
	Connection 1	Connection 2	Fitting 1	Fitting 2	Part no.	Part no.		Size	Pres. Rating	Part no.	
648133	L. Manifold A2		ORFS -04 90		601522	601125	50 mm	1/4"	450 bar	615071	Marked A
	Rotator R.		ORFS -04 90		601522	601125		450 bar	EN 857 2SC		
648134	L. Manifold B2		ORFS -04 90		601522	601125	50 mm	1/4"	450 bar	615071	Marked B
	Rotator L.		ORFS -04 90		601522	601125		450 bar	EN 857 2SC		
615049	Hose guard						0 mm	3/4"			
615049	Hose guard						0 mm	3/4"			

Hose kit Log Max 6000V

HX30, reinforced fellung unit

From Head no. 161XXX

Language **en**

Part No. **648202/161XXX**

V. 210705

Crimp. = Crimp diameter | cyl. = cylinder | Ex. = External | L. = Left | Lo. = Lower | Mani. = Manifold
 Meas. Wheel = Measuring Wheel | No. = number | Pres. Rating = Pressure Rating | Red. = Reducer | R. = Right
 SBR = Saw Bar Rescue | Str. = Straight | Stump treatm. = Stump treatment | Tot. = Total | U. = Upper | WEOPi = WEO Plug-In

Hose no.	Connections		Fittings		Ferrules Part no.	Length Total Cut	Hose type			Note
	Connection 1	Connection 2	Fitting 1	Fitting 2			Part no.	Size	Pres. Rating	
648135	L. Manifold A2		ORFS -04 90		601522	50 mm	1/4"	450 bar	615071	Marked A
	Rotator R.		ORFS -04 90		601522				EN 857 2SC	
648136	L. Manifold B2		ORFS -04 90		601522	50 mm	1/4"	450 bar	615071	Marked B
	Rotator L.		ORFS -04 90		601522				EN 857 2SC	
615049	Hose guard					0 mm	3/4"			
615049	Hose guard					0 mm	3/4"			

Hose kit Log Max 6000V

HX30, molded felling unit

From Head no. 161XXX

Language **en**

Part No. **648203/161XXX**

V. 210705

Crimp. = Crimp diameter | cyl. = cylinder | Ex. = External | L. = Left | Lo. = Lower | Mani. = Manifold
 Meas. Wheel = Measuring Wheel | No. = number | Pres. Rating = Pressure Rating | Red. = Reducer | R. = Right
 SBR = Saw Bar Rescue | Str. = Straight | Stump treatm. = Stump treatment | Tot. = Total | U. = Upper | WEOPI = WEO Plug-In

Hose no.	Connections		Fittings		Ferrules		Length		Hose type			Note
	Connection 1	Connection 2	Fitting 1	Part no.	Part no.	Total	Cut	Size	Pres. Rating	Part no.	Standard	
			Fitting 2									
648137	L. Manifold A2		ORFS -04 90	601522	601125	50 mm	50 mm	1/4"	1/4"	615071	615071	Marked A
	Rotator R.		ORFS -04 90	601522	601125			450 bar	450 bar	EN 857 2SC	EN 857 2SC	
648138	L. Manifold B2		ORFS -04 90	601522	601125	50 mm	50 mm	1/4"	1/4"	615071	615071	Marked B
	Rotator L.		ORFS -04 90	601522	601125			450 bar	450 bar	EN 857 2SC	EN 857 2SC	
615049	Hose guard					0 mm		3/4"				

Log Max

HEADS ABOVE THE COMPETITION

6000V

Log Max

HEADS ABOVE THE COMPETITION

6000V

Log Max

HEADS ABOVE THE COMPETITION

6000V

Log Max

HEADS ABOVE THE COMPETITION

6000V

Log Max

HEADS ABOVE THE COMPETITION

6000V

Log Max

HEADS ABOVE THE COMPETITION

6000V

Log Max

HEADS ABOVE THE COMPETITION

6000V

Spare part manual

161031-

en

Spare part manual

161031-

en

Spare part manual

161031-

en

Spare part manual

161031-

en

Spare part manual

161031-

en

Spare part manual

161031-

en

Spare part manual

161031-

en