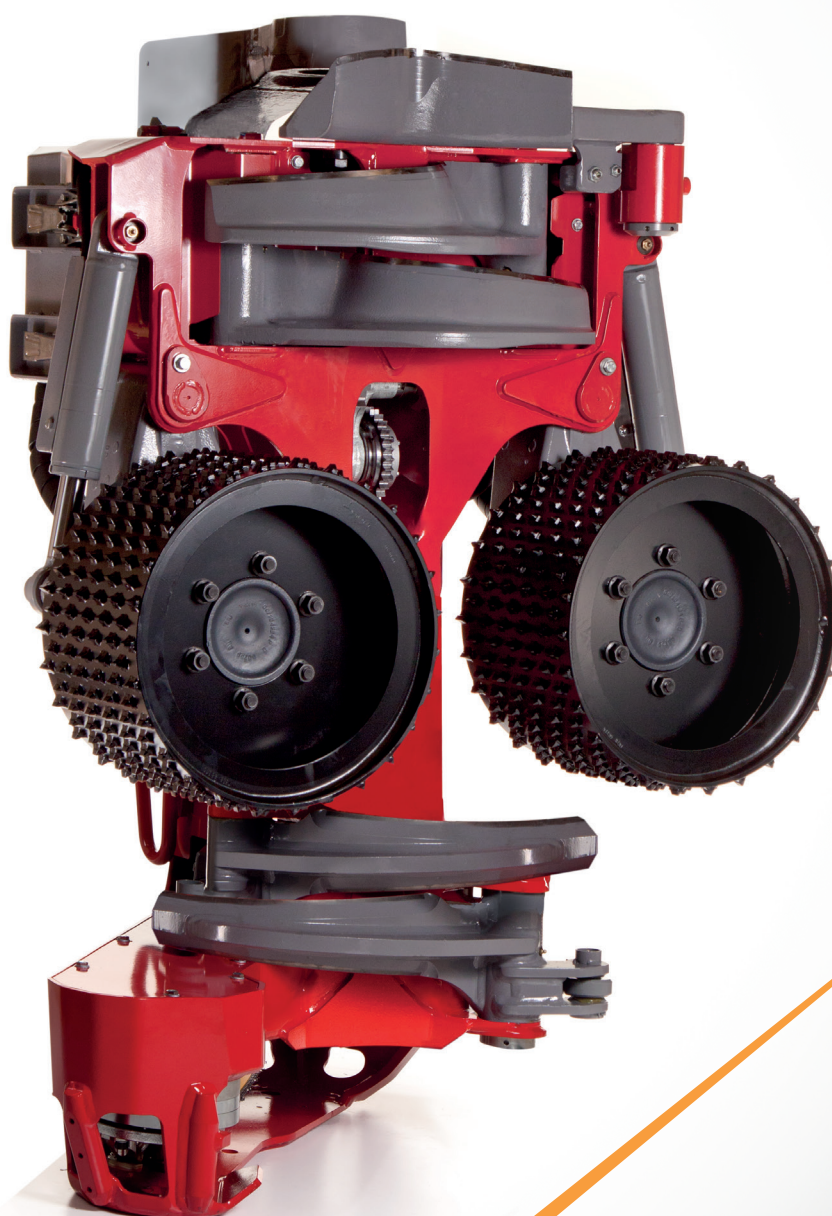


# **Log Max 6000Twin**

HEADS ABOVE THE COMPETITION

## **Spare part manual**



[www.logmax.com](http://www.logmax.com)

Ver. 1.1







# Contents

<b>Frame and protection .....</b>	<b>9</b>
Frame with protective cover.....	11
<b>Delimiting unit .....</b>	<b>15</b>
Delimiting unit.....	17
Lower delimiting knife.....	19
Upper delimiting knife, Analog knife sensor.....	23
Upper delimiting knife, Digital knife sensor.....	25
Upper delimiting knife, replacable blade.....	27
<b>Feeding unit.....</b>	<b>29</b>
Feed roller arms.....	31
Feed roller motors.....	35
Feed rollers.....	37
Feed rollers eucalyptus 45°.....	39
<b>Measuring .....</b>	<b>41</b>
Diameter measuring.....	43
Measuring wheel.....	45
<b>Felling unit.....</b>	<b>49</b>
Felling link.....	51
<b>Saw unit .....</b>	<b>55</b>
Saw unit 98B.....	57
Saw unit 98XL.....	61
Saw hydraulic.....	65
Chain lubrication - Easy Greasy.....	67
Easy Greasy pump.....	69
Saw dust protection.....	71
Saw bar and chain, Saw 98B.....	73
Saw bar and chain, Saw 98XL.....	75
<b>Rotators .....</b>	<b>77</b>
Rotator AV17S.....	79
Rotator HX30 LS.....	81
<b>Accessories .....</b>	<b>83</b>
Accumulation kit.....	85
Cylinder Ø50/32-192.....	89
Electrical system.....	91
Manifold.....	93
Bypass valve.....	95
Color marking equipment.....	97
Color tanks, assembly.....	101
Color marking pump.....	103
Valve.....	105
Color marking manifold.....	107
Electrical controlled measuring wheel.....	109
Find End, Laser.....	111
Find End assembly.....	113
Find End, Photocell.....	115

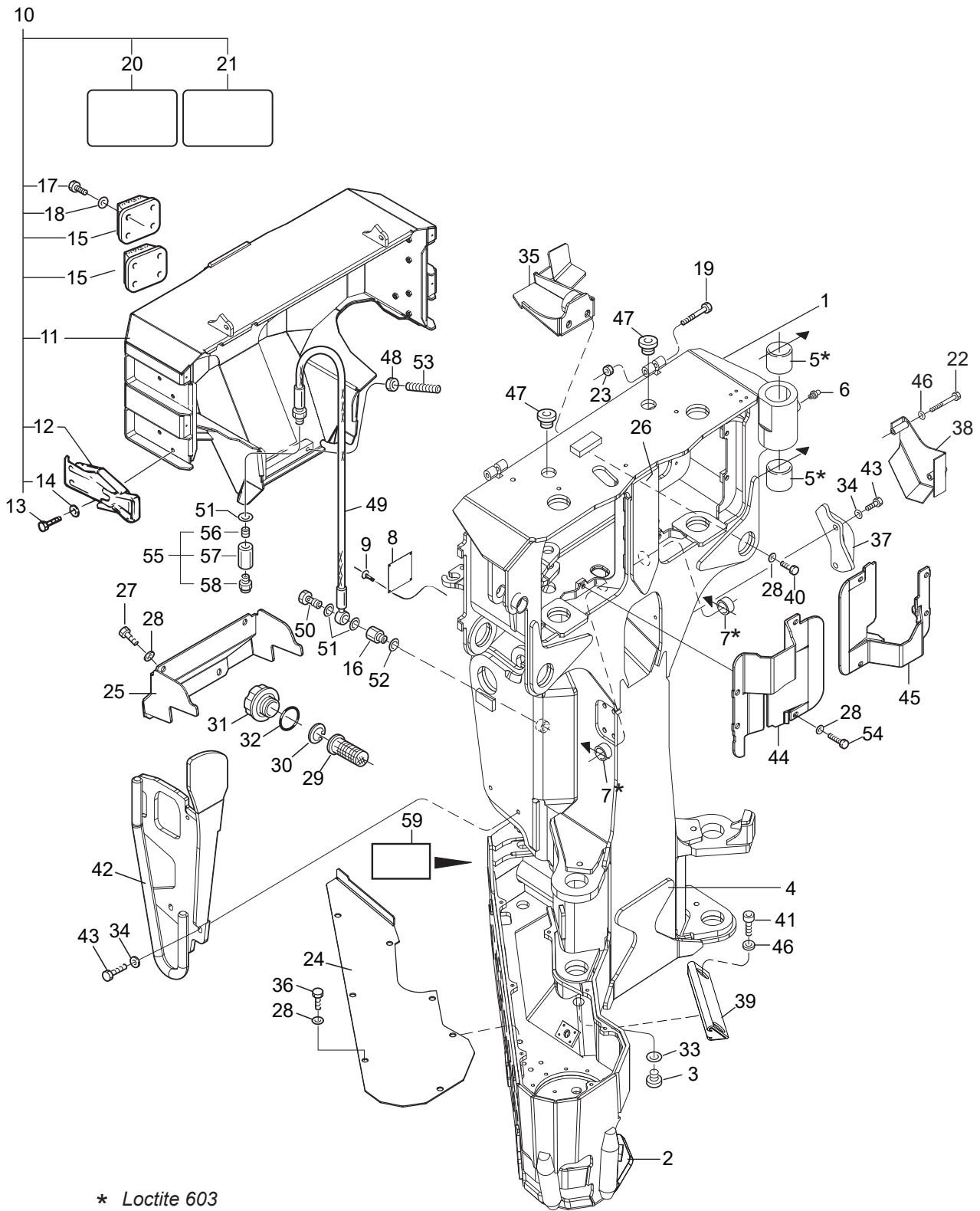
Hose holder .....	117
Hydraulic upper knife .....	119
Knife edge protection .....	121
Rotator control, valve.....	123
Electrical system.....	125
Stump treatment .....	127
Tool set .....	129
<b>Hydraulic system .....</b>	<b>131</b>
Interconnection of main manifolds .....	133
Left manifold.....	137
Check valve .....	139
Check valve .....	141
Directional valve 24V .....	143
Directional valve 24V .....	145
Directional valve 24V .....	147
Pressure reducer valve.....	149
Pressure reducer valve.....	151
Sequence valve .....	153
Right manifold .....	155
Inlet section S01 .....	157
Knife section S02.....	159
Feed section S03.....	161
Feed section S04.....	163
Knife section S05.....	165
End section S06 .....	167
Feed reducer .....	169
Reducer valve.....	171
Relief valve .....	173
Relief valves .....	175
Pilot reducer .....	177
Compensator kit .....	179
Pilot valve .....	181
Servo caps S02, S03 & S05 .....	183
Servo cap S04 .....	185
Cylinder Ø25/16-45 .....	187
Cylinder Ø40/25-106 .....	189
Cylinder Ø50/32-170 .....	191
Cylinder Ø63/40-215 .....	193
Cylinder Ø63/40-300 .....	195
Hydraulic cylinder.....	197
<b>Control system .....</b>	<b>199</b>
Log Mate 510.....	201
Dasa 4 & Cabswin .....	203
Dasa Forester .....	205
Dasa Forester, Eco Log & Rottne .....	207
IT/PC & VU .....	209
Electrical system saw unit 98.....	211
Log Mate 510.....	213
Dasa 4 & Cabswin.....	215

Dasa Forester .....	217
IT/PC & VU .....	219
Connection box VU .....	221
Terminal box IT/PC.....	223
<b>Hose kits .....</b>	<b>225</b>





# Frame and protection

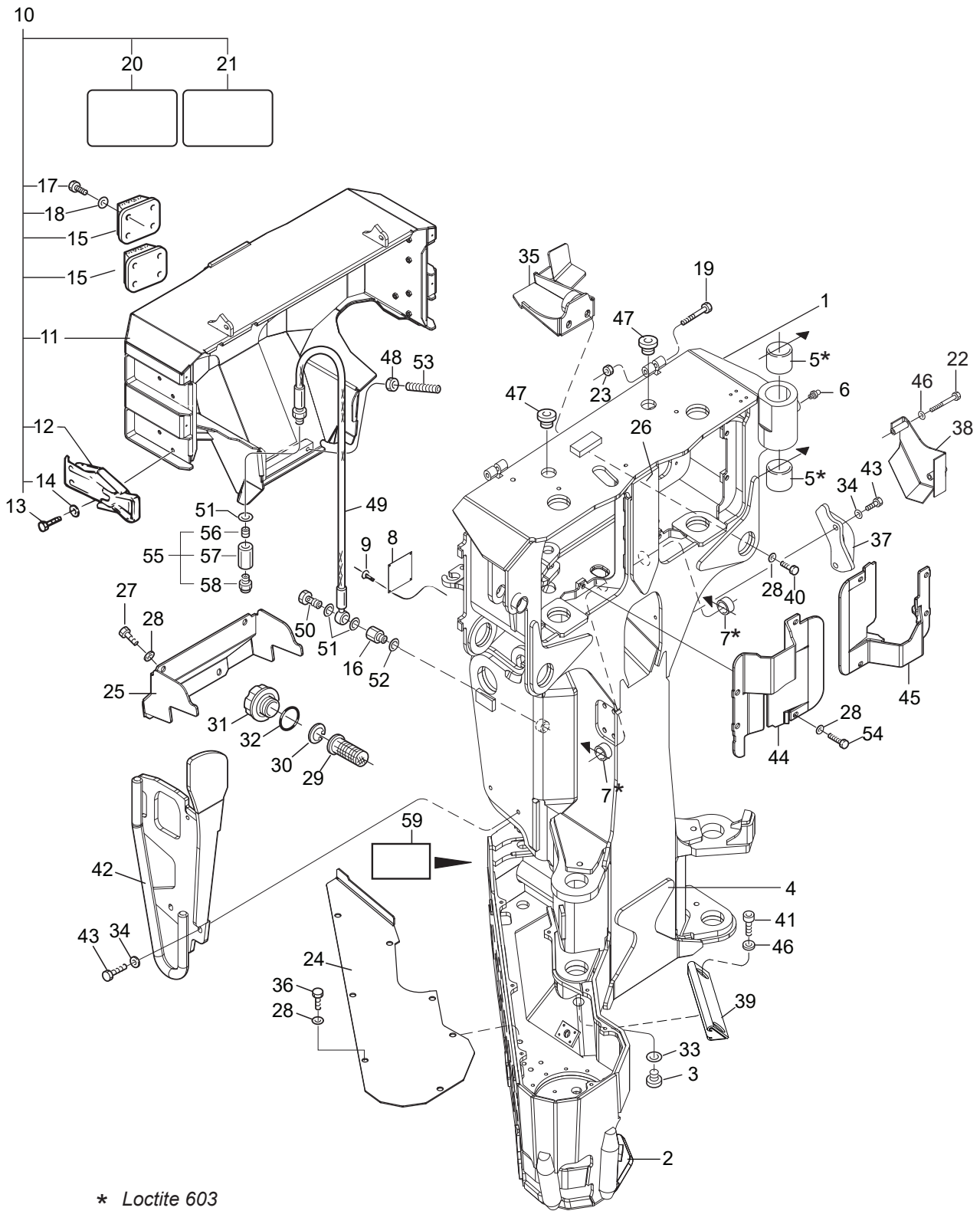


02/003

Log Max 6000 Twin

## Frame with protective cover

Structure 006400				
Pos.	Part no.	Quantity	Description	Specification
1	046010	1	Frame cmpl	
2	016994	1	Bottom plate	
3	015642	1	Magnetic plug	1/2"
4	013312	1	Wear plate	Lower / Nedre
5	512028	2	Bushing	60x40
6	625000	4	Grease nipple	KR 1/8" R
7	512083	2	Bushing	35/39 – 20
8		1	Plate	
9	500651	4	Screw	CSS 2.2x4.5
10	046022	1	Protective cover cmpl.	
11	046021	1	Protective cover	
12	519085	4	Overcentre latch	
13	500042	12	Screw	M6S M8x16 8.8 FZB
14	503055	12	Washer	M8 Nordlock
15	014377	2	Rubber damper	84x65 mm
16	602055	1	Coupling	R 1/4" – R 1/4" UF – IF
17	500022	8	Screw	M6S M6x14 8.8 FZB
18	503065	8	Washer	M6 Nordlock
19	501215	2	Screw	MC6S M10x75 12.9
20	519140	1	Decal	Crushing hazard/ Klämrisk
21	519141	1	Decal	Chain shot/ Kedjeskott
22	500078	2	Screw	M6S M10x75 8.8 FZB
23	502055	2	Nut	M10 Locking Low / Låg
24	016773	1	Cover	
25	016772	1	Cover	
26	015519	1	Wear plate	Upper / Övre
27	500066	4	Screw	M6S M10x20 8.8 FZB
28	503075	21	Washer	M10 Nordlock
29	015351	1	Filter	
30	517238	1	Circlip	SGH 45
31	013969	1	Filling cap cmpl.	Yellow / Gul
32	543028	1	O-ring	44.04x3.53 Viton
33	601103	1	Seal ring	1/2"



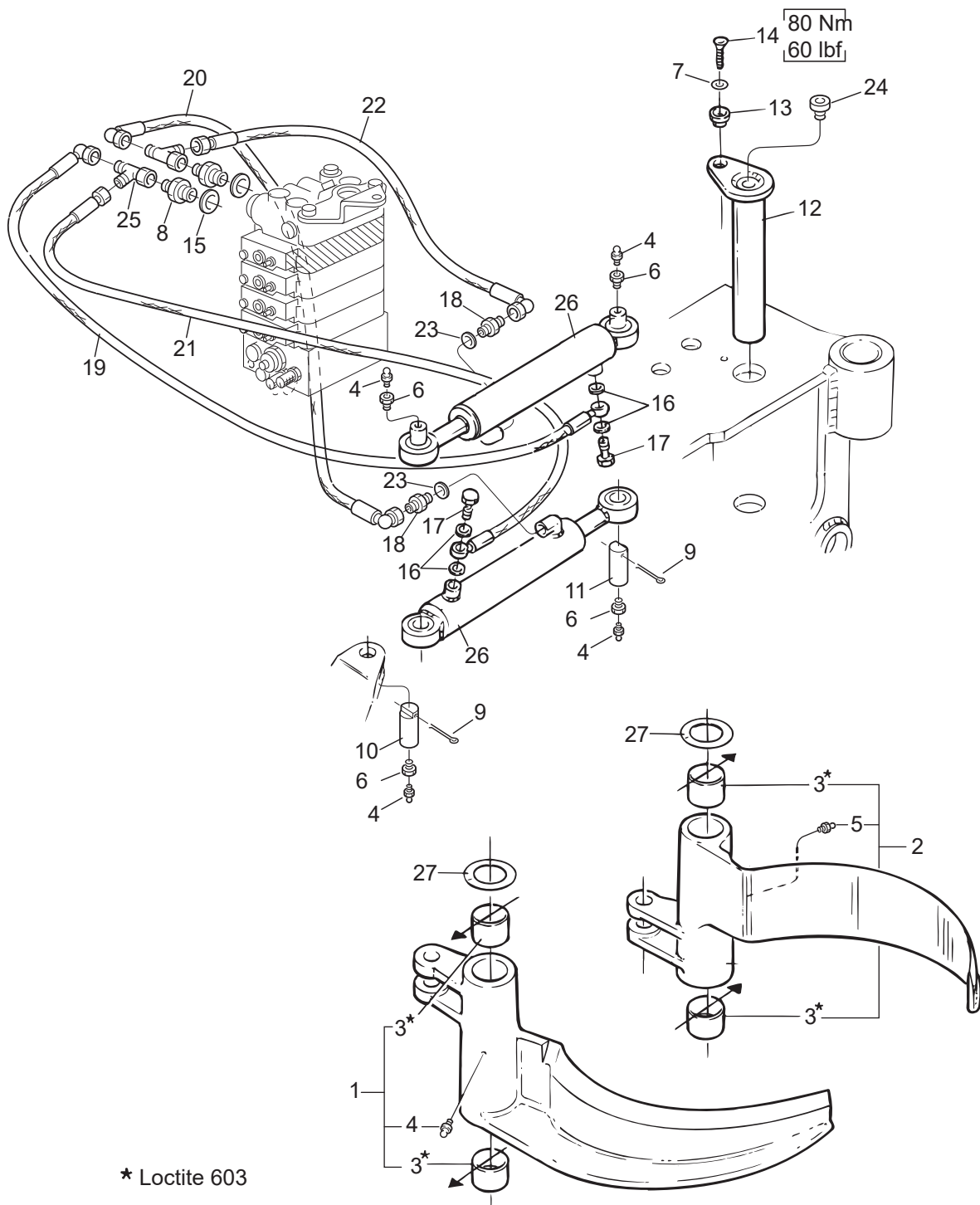
02/003

Log Max 6000 Twin

Structure				
Pos.	Part no.	Quantity	Description	Specification
34	503076	5	Washer	M12 Nordlock Wide / Stor
35	016092	1	Cover	Left / Vänster With diameter / Med diameter
36	500065	7	Screw	M6S M10x16 8.8 FZB
37	016030	1	Hose leader	Left / Vänster
38	015780	1	Cover	
39	016296	1	Cover	
40	501090	2	Screw	MC6S M10x30 12.9
41	501087	2	Screw	MC6S M10x20 12.9
42	016100	1	Hose leader	
43	500091	5	Screw	M6S M12x30 8.8 FZB
44	016478	1	Protective cover	Right / Höger
45	016477	1	Protective cover	Left / Vänster
46	503057	4	Washer	M10 Nordlock
47	011537	2	Plug	R 1 1/4"
48	502056	2	Nut	M12 Locking Low / Låg
49	646740	1	Hydraulic hose	
50	601060	1	Banjo bolt	R 1/4"
51	601200	3	Cu-washer	13x19x1.5
52	601101	1	Seal ring	1/4"
53	513042	2	Screw	P6SS M12x50
54	500068	8	Screw	M6S M10x25 8.8 FZB
55	015037	1	Breather valve	
56	617016	1	Check valve	
57	011506	1	Coupling	R 1/4"
58	602311	1	Filter plug	G 1/4"



# Delimiting unit



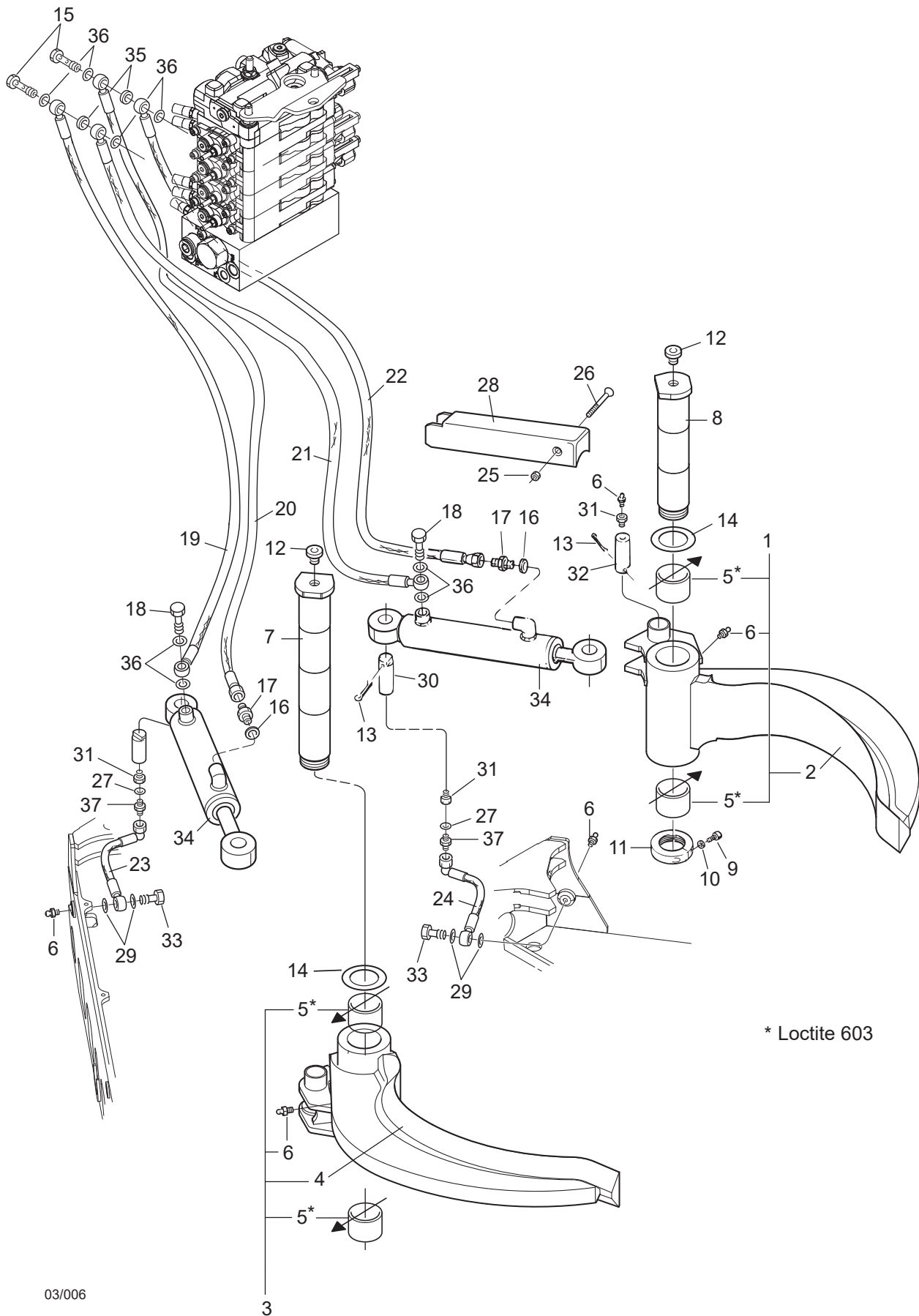
03 / 005

Log Max 6000Twin



## Delimiting unit

Structure 006403, 033676				
Pos.	Part no.	Quantity	Description	Specification
1	043114	1	Delimiting knife compl.	Right / Höger
1	043119	(1)	Delimiting knife compl.	Processor
2	043113	1	Delimiting knife compl.	Left / Vänster
2	043118	(1)	Delimiting knife compl.	Processor
3	512029	4	Bushing	60x60
4	625000	5	Grease nipple	R 1/8"
5	625001	1	Grease nipple	1/8 – 90
	625001	2	Grease nipple	90 Processor
6	602030	4	Coupling	R 1/8" – KR 3/8"
7	503060	2	Washer	M12 Nordlock
8	601030	2	Coupling	R 1/4" UF- R 1/2" UF
9	516002	4	Cotter pin	6.3x50
10	015382	2	Pin	Ø 30 L=71 mm
11	015383	2	Pin	Ø 30 L=89 mm
12	013780	2	Pin	Ø 60 L=354 mm
13	013872	2	Guide washer	
14	500091	2	Screw	M6S M12x35 8.8 FZB
15	601103	2	Seal ring	1/2"
16	601200	4	Cu-washer	13x19x1.5
17	601060	2	Banjo bolt	R 1/4"
18	601028	2	Coupling	R 1/4" UF- R 1/4" UF
19	646741	1	Hose 6741	
20	646743	1	Hose 6743	
21	646744	1	Hose 6744	
22	646742	1	Hose 6742	
23	601101	2	Seal ring	R 1/4"
24	601003	2	Plug	R 1/2"
25	601010	2	T- coupling	R 1/4" UF – UF –
26	018275	2	Cylinder	Ø 50/30 – 170
27	507063	Req / Erf	Shim	63x98x0.25
	507011	Req / Erf	Shim	63x98x0.5
	507012	Req / Erf	Shim	63x98x1.0

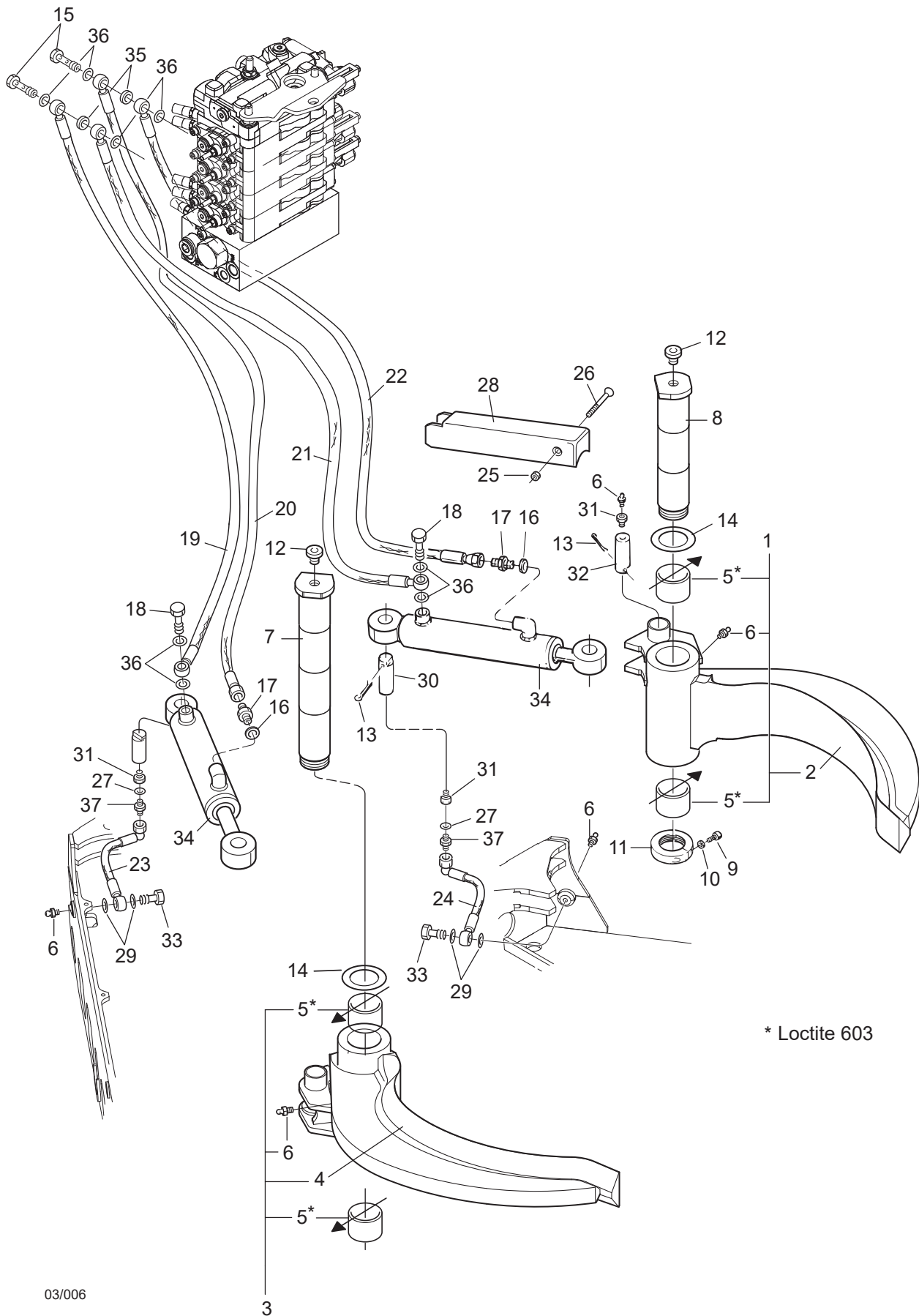


03/006

Log Max 6000 Twin

## Lower delimiting knife

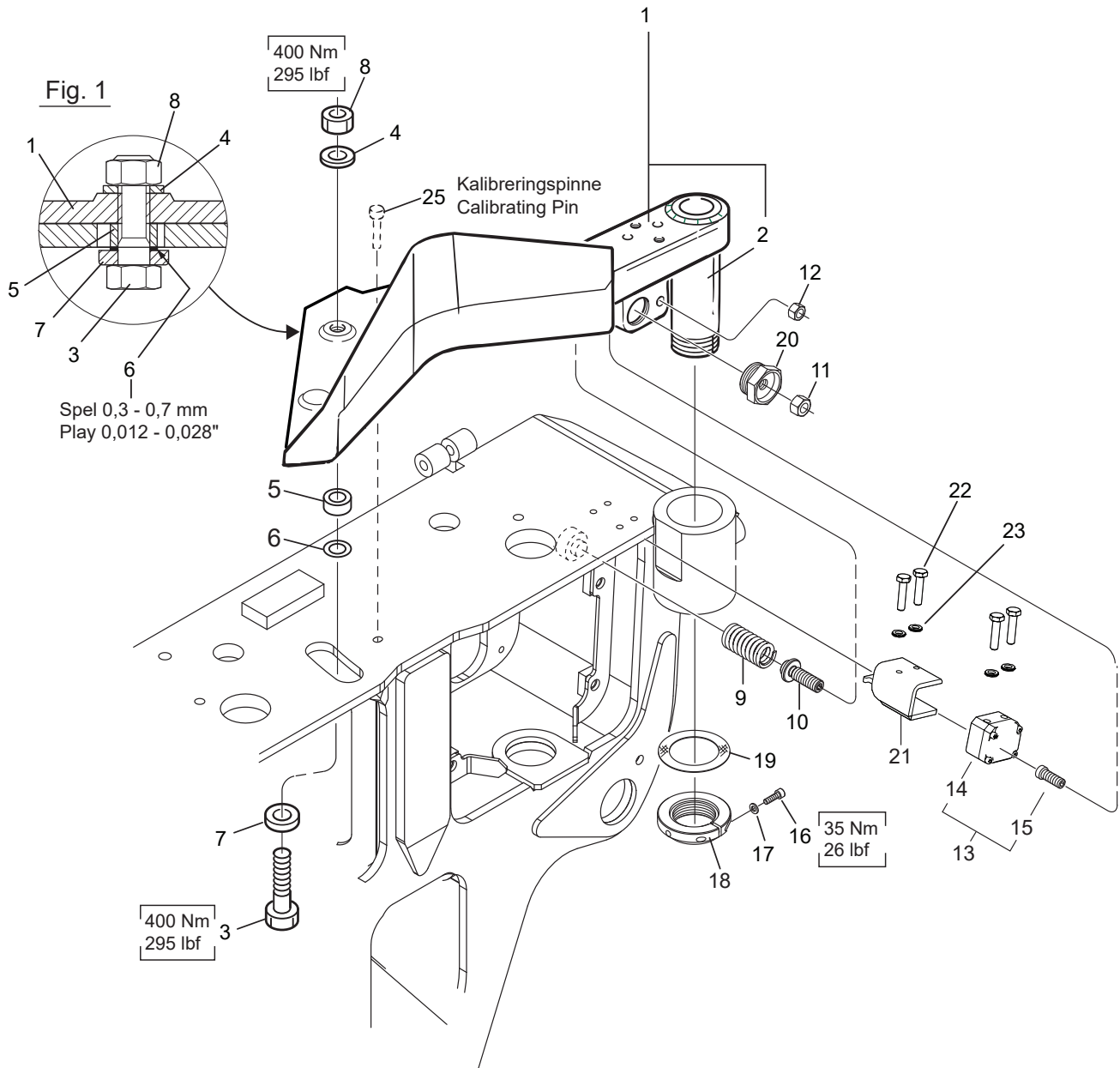
Structure 006404				
Pos.	Part no.	Quantity	Description	Specification
1	046018	1	Delimiting knife compl.	Left / Vänster
2	017302	1	Knife edge	
3	046019	1	Delimiting knife compl.	Right / Höger
4	017303	1	Knife edge	
5	512029	4	Bushing	60x60
6	625000	7	Grease nipple	KR 1/8" R
7	016764	1	Pin	Ø60 L=410 mm Right / Höger
8	016763	1	Pin	Ø60 L=292 mm Left / Vänster
9	501070	2	Screw	MC6S M8x25 12.9
10	503055	2	Washer	M8 Nordlock
11	016069	2	Threaded ring	M55
12	601003	2	Hex plug	1/2"
13	516002	4	Cotter pin	6.3x50
14	507011	Req / Erf	Shim	63x98x0.5
	507012	Req / Erf	Shim	63x98x1.0
15	601065	2	Banjo bolt	R 1/4"
16	601101	2	Seal ring	1/4"
17	601028	2	Coupling	R 1/4" UF – R 1/4" UF
18	601060	2	Banjo bolt	R 1/4"
19	646722	1	Hose 6722	
20	646723	1	Hose 6723	
21	646720	1	Hose 6720	
22	646721	1	Hose 6721	
23	646773	1	Hose 6773	Right / Höger
24	646784		Hose 6784	Left / Vänster
25	502055	2	Nut	M10 Locking Low / Låg
26	500077	2	Screw	M6S M10x70 8.8 FZB
27	601100	1	Seal ring	1/8"
28	016570	2	Cylinder cover	
29	601203	2	Cu-washer	10x14x1.0
30	015382	2	Pin	Ø30 L= 71 mm
31	602030	4	Coupling	R 1/8" – KR 3/8"
32	015383	2	Pin	Ø30 L= 89 mm



03/006

Log Max 6000 Twin

Structure				
Pos.	Part no.	Quantity	Description	Specification
33	601064	1	Banjo bolt	R 1/8"
34	018275	2	Hydraulic cylinder	Ø 50/30 – 170
35	602114	2	Seal ring	1/4"
36	601200	8	Cu-washer	13x19x1.5
37	601025	1	Coupling	R 1/8" UF - R 1/8" UF

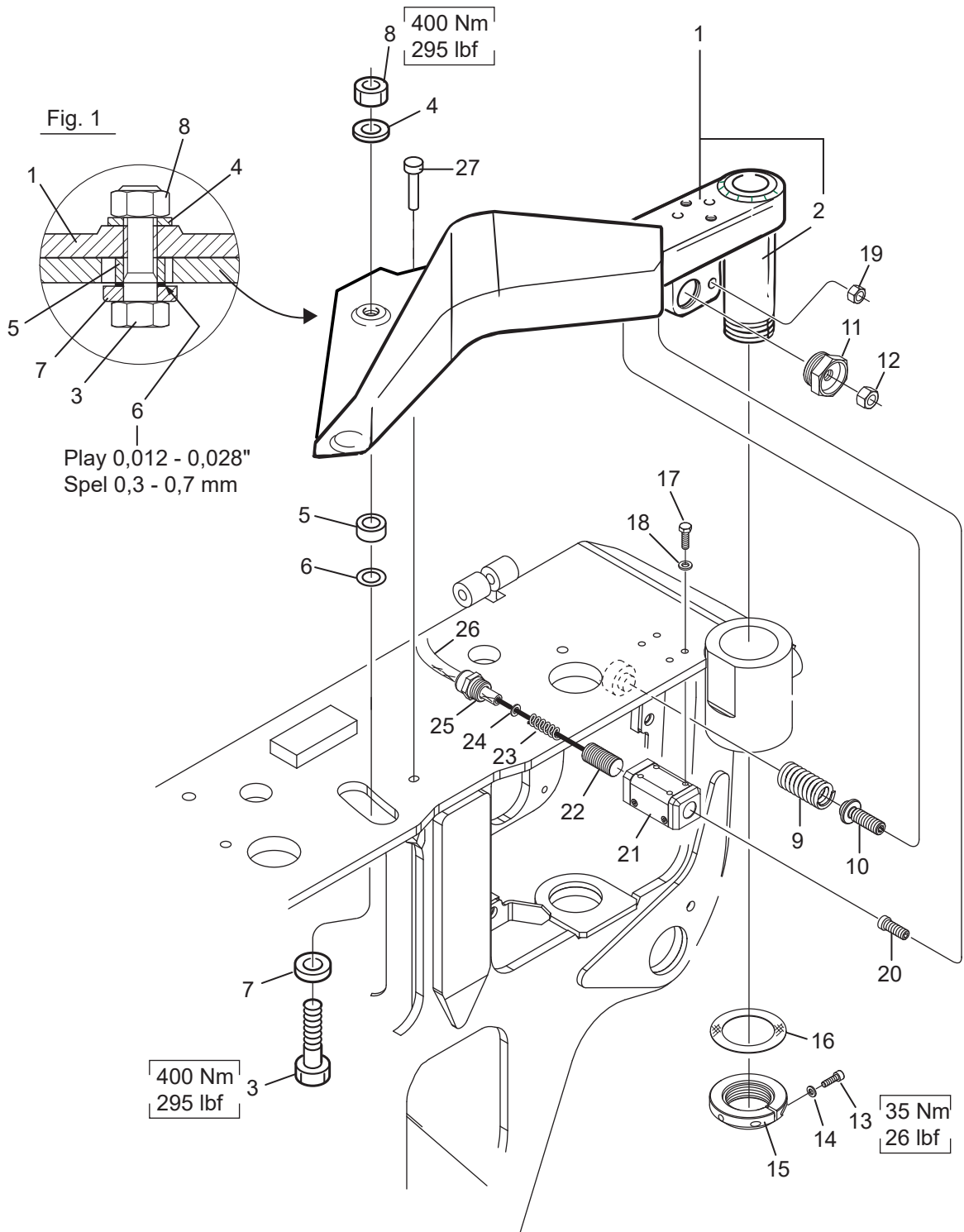


03/008

Log Max 6000Twin

## Upper delimiting knife, Analog knife sensor

Structure 006402-2				
Pos.	Part no.	Quantity	Description	Specification
1	047115	1	Delimiting knife cmpl.	
2	016071	1	Pin	Ø 60 L=200 mm
3	505045	1	Screw	M6S M24x80 10.9
4	503018	1	Washer	BRFB FZB 25x45x4
5	013335	1	Spacer	
6	015480	Req / Erf	Shim	24x34x0.5
	015481	Req / Erf	Shim	24x34x1.0
7	015410	1	Washer	
8	502062	1	Nut	M24 Locking Low / Låg
9	526031	1	Spring	
10	017282	1	Adjuster screw	M16
11	502706	1	Nut	M16 Low / Låg
12	502701	1	Nut	M12x1.25
13	401289	1	Magnetic sensor cmpl.	Analog
14	401288	1	Magnetic sensor	
15	514054	1	Magnetic screw	
16	501070	1	Screw	MC6S M8x25 12.9
17	503055	1	Washer	M8 Nordlock
18	016712	1	Threaded ring	
19	507017	1	Shim	56x89x1
20	017281	1	Plug	G 1 1/4"
21	018395	1	Protective plate	
22	500025	4	Screw	M6S M6x25 8.8 FZB
23	503065	4	Washer	M6 Nordlock
24	615047	1	Hose cover	10x6.7 0.26 M



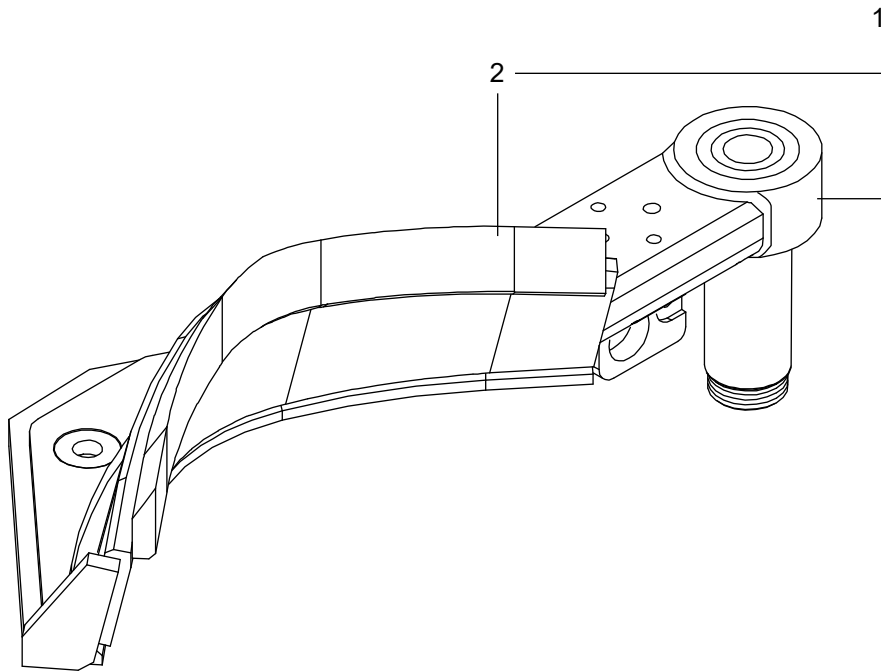
03 / 017

Log Max 6000Twin



## Upper delimiting knife, Digital knife sensor

Structure 006402-2, 033680-3				
Pos.	Part no.	Quantity	Description	Specification
1	047115	1	Delimiting knife compl.	
2	016071	1	Pin	Ø 60 L=200 mm
3	505045	1	Screw	M6S M24x80 10.9
4	503018	1	Washer	BRFB FZB 25x45x4
5	013335	1	Spacer	
6	015480	Req / Erf	Shim	24x34x0.5
	015481	Req / Erf	Shim	24x34x1.0
7	015410	1	Washer	
8	502062	1	Nut	M24 Locking Low / Låg
9	526031	1	Spring	
10	017282	1	Adjuster screw	M16
11	017281	1	Plug	G 1 1/4"
12	502706	1	Nut	M16 Low / Låg
13	501070	1	Screw	MC6S M8x25 12.9
14	503055	1	Washer	M8 Nordlock
15	016712	1	Threaded ring	M55x2
16	507017	1	Shim	56x89x1
17	500025	4	Screw	M6S M6x25 8.8 FZB
18	503065	4	Washer	M6 Nordlock
19	502701	1	Nut	M12x1.25
20	016076	1	Magnetic screw	
21	016929	1	Sensor holder	Ø 10.8
22	013007	1	Magnetic sensor compl.	
23	526015	1	Spring	
24	503004	1	Washer	BRB FZB 6.4x12x1.5
25	401152	1	Cable sleeve	M20x1.5
26	615019	1	Hose cover	Ø 8 L=250 mm
27	500046	1	Screw	M6S M8x30 8.8 FZB



03 /  
018

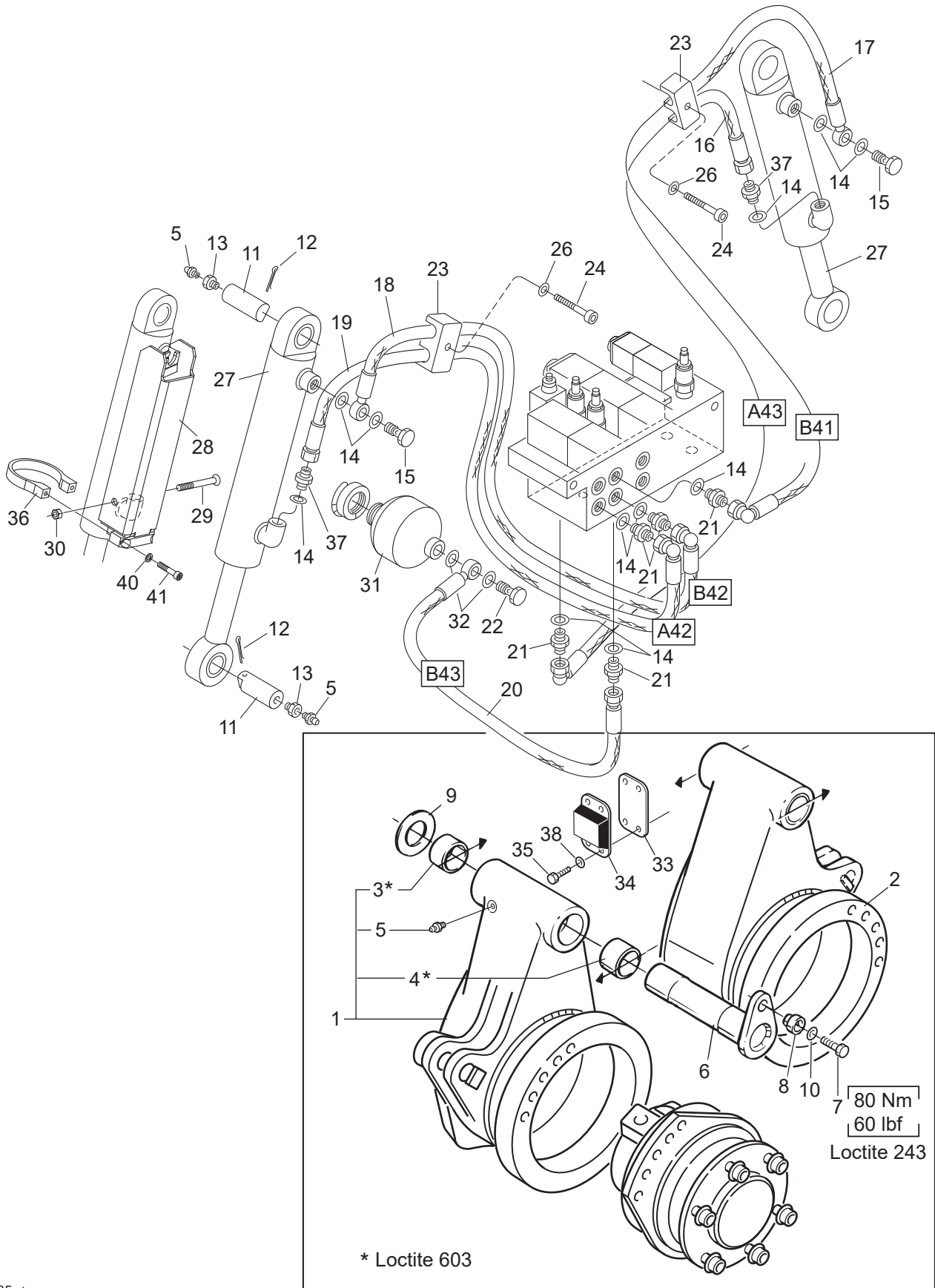
Log Max 6000Twin/E6/7000XT/7000Twin

## Upper delimiting knife, replacable blade

Structure 049066				
Pos.	Part no.	Quantity	Description	Specification
1	017272	1	Knife compl.	
2	017280	1	Knife blade	Replaceable / Utbytbar



# Feeding unit

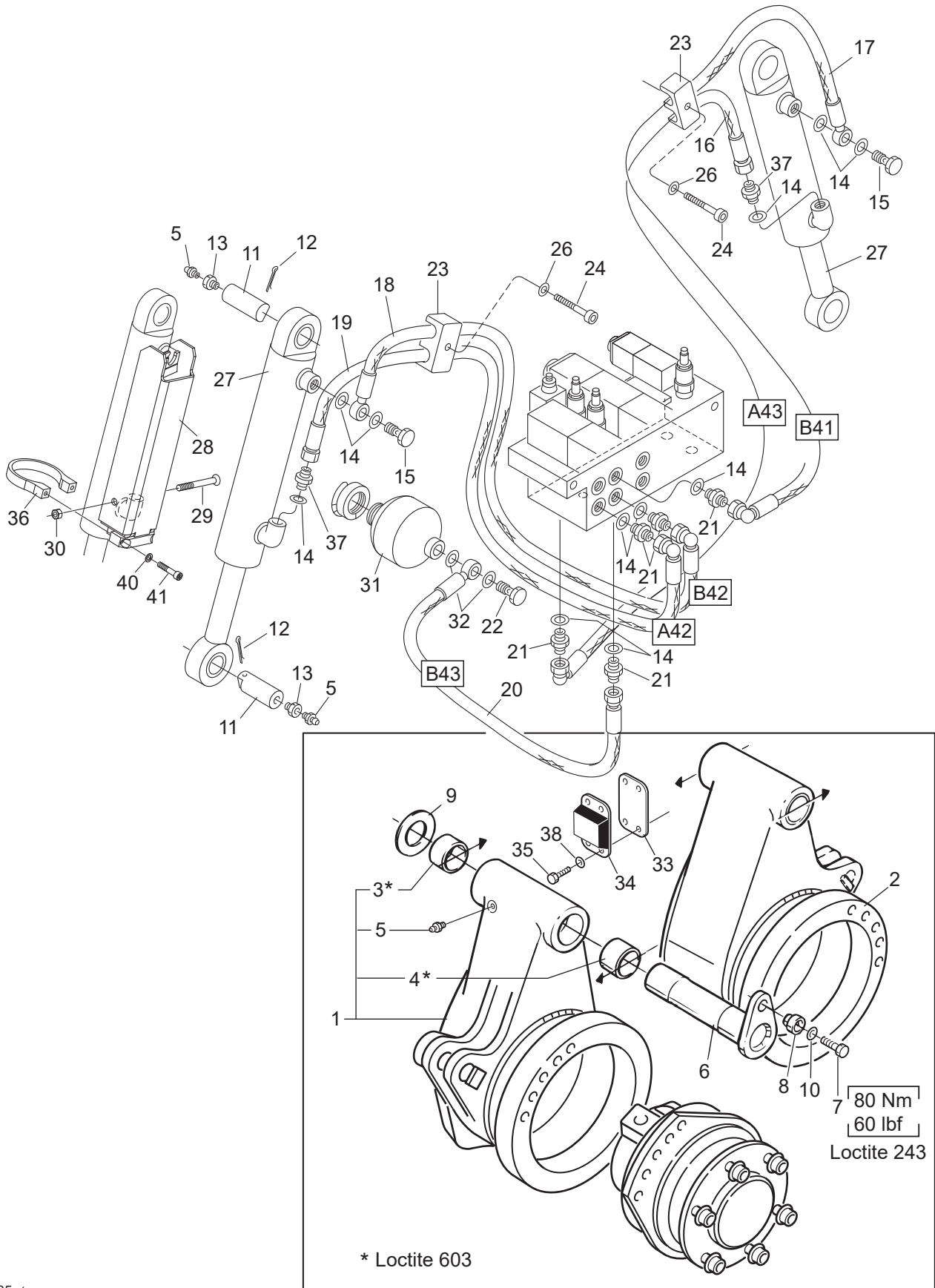


05 / 014

Log Max 6000Twin

## Feed roller arms

Structure 006407				
Pos.	Part no.	Quantity	Description	Specification
1	043024	1	Feed roller arm compl.	Right / Höger
2	043023	1	Feed roller arm compl.	Left / Vänster
3	512028	2	Bushing	60x40
4	512029	2	Bushing	60x60
5	625000	6	Grease nipple	KR 1/8" R
6	012748	2	Pin	Ø 60 L=262 mm
7	500092	2	Screw	M6S M12x35 8.8 FZB
8	013872	2	Guide washer	
9	507063	Req / Erf	Shim	63x98x0.25
	507011	Req / Erf	Shim	63x98x0.5
	507012	Req / Erf	Shim	63x98x1.0
10	503060	1	Washer	M12 Nordlock
11	012586	4	Pin	Ø 32 L=86 mm
12	516002	4	Split pin	6.3x50
13	602030	4	Coupling	R 1/8" – KR 3/8"
14	601102	11	Seal ring	3/8"
15	601061	2	Banjo bolt	R 3/8"
16	646748	1	Hose 6748	
17	646747	1	Hose 6747	
18	646746	1	Hose 6746	
19	646745	1	Hose 6745	
20	646770	1	Hose 6770	
21	601029	5	Coupling	R 1/4" UF – R 3/8" UF
22	601062	1	Banjo bolt	R 1/2"
23	016878	2	Clamp	3/8"
24	501074	2	Screw	MC6S M8x45 12.9
26	503055	2	Washer	M8 Nordlock
27	013203	2	Hydraulic cylinder	Ø63/40 – 215
28	016257	2	Cylinder cover	
29	500078	2	Screw	M6S M10x75 8.8 FZB
30	502055	2	Nut	M10 Locking Low / Låg
31	610140	1	Accumulator	0.5 L – 0 bar Empty / Oladdad
	610141	1	Accumulator	0.5 L – 85 bar Loaded / Laddad

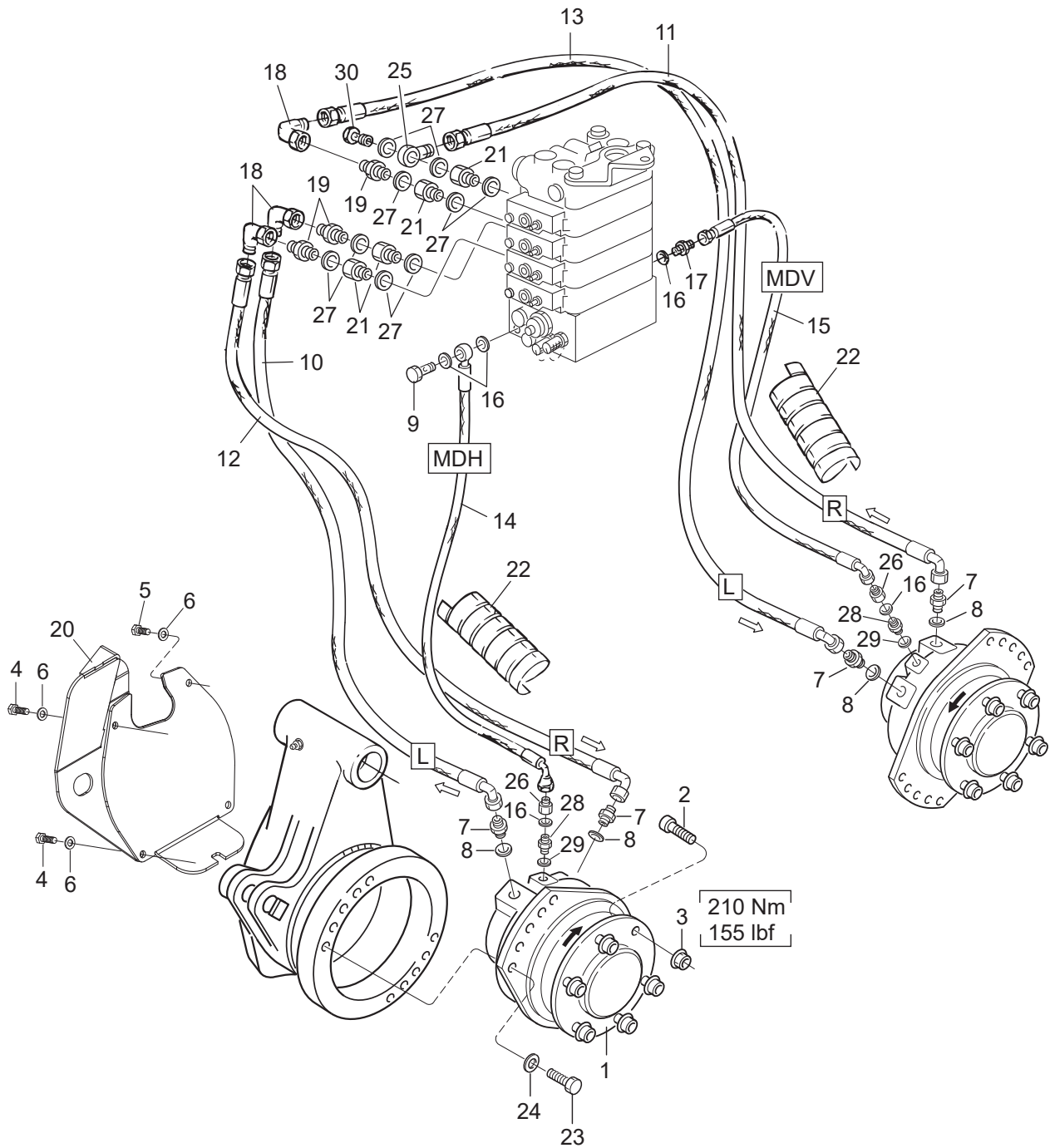




05 / 014

Log Max 6000Twin



Structure				
Pos.	Part no.	Quantity	Description	Specification
32	601103	2	Seal ring	1/2"
33	017133	1	Shim	
34	014377	2	Rubber damper	
35	500025	8	Screw	M6S M6x25 8.8 FZB
36	016253	2	Clamp	
37	601032	2	Coupling	R 3/8" – R 3/8"
38	503073	8	Washer	M6 Nordlock Wide / Stor
40	503057	4	Washer	M10 Nordlock
41	501090	4	Screw	MC6S M10x30 12.9



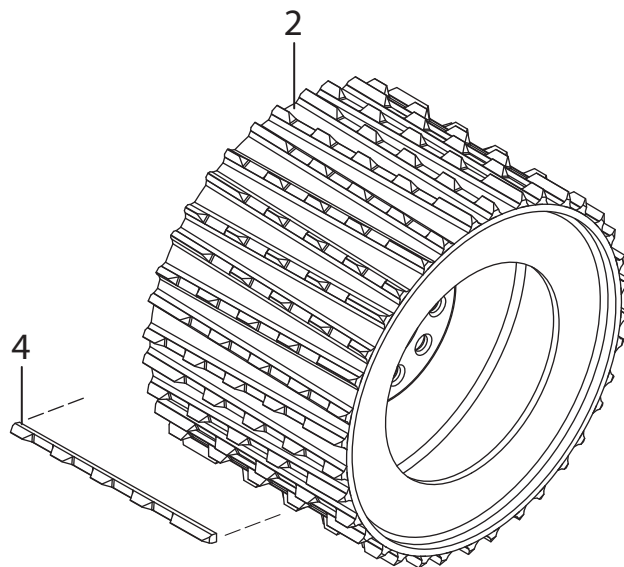
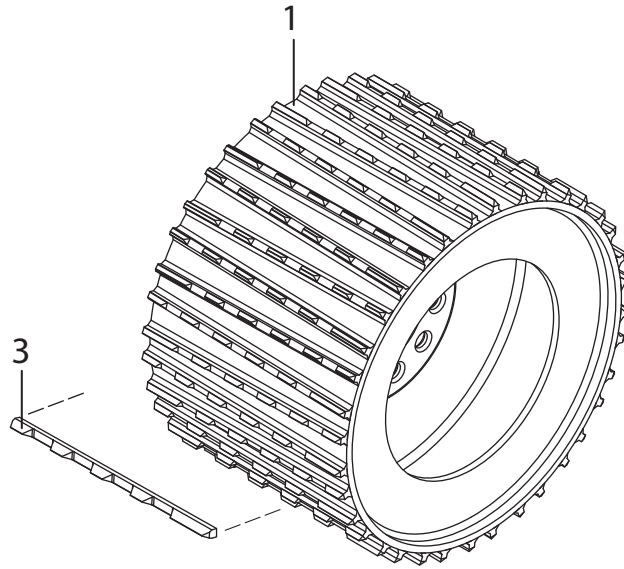
 Direction of rotation / Rotationsriktning  
 Oil flow / Oljeflöde

05/013

Log Max 6000Twin

## Feed roller motors

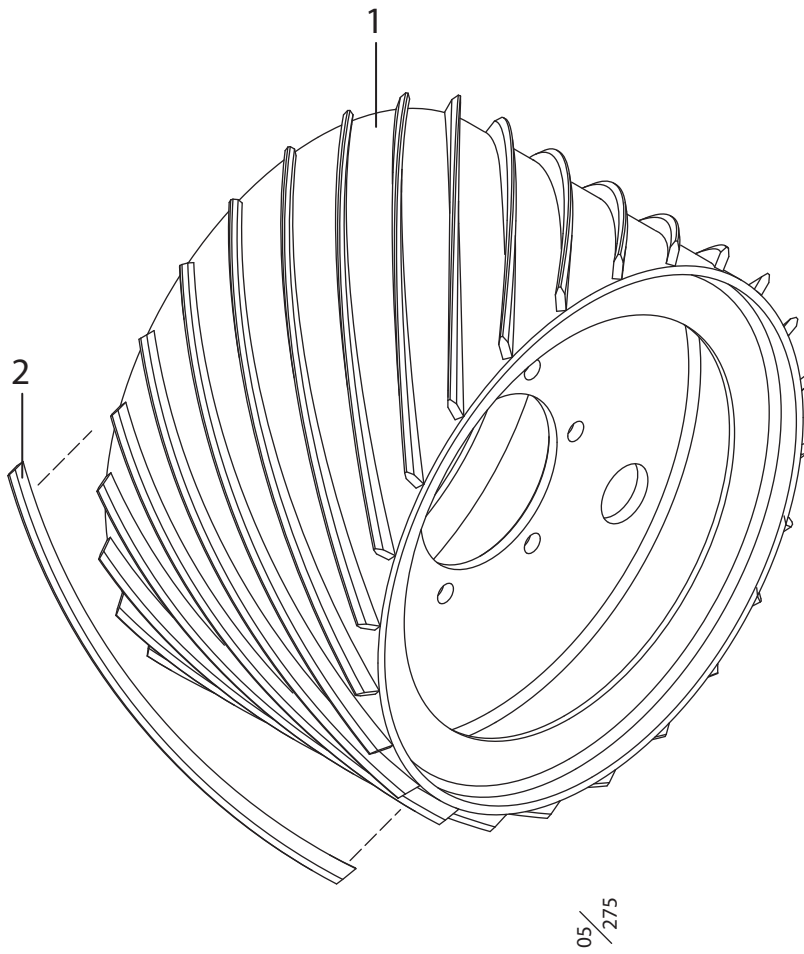
Structure 006407-H-V, 033661, 033663				
Pos.	Part no.	Quantity	Description	Specification
1	609142	2	Feed roller motor compl.	857 ccm std
	609054	2	Feed roller motor compl.	627 ccm
	609068	2	Feed roller motor compl.	934 ccm
2	032170	12	Wheel stud	
3	635106	24	Wheel nut	
4	500092	4	Screw	M6S M12x35 8.8 FZB
5	500090	4	Screw	M6S M12x25 8.8 FZB
6	503060	8	Washer	M12 Nordlock
7	601361	4	Coupling	R 1/2" -> SAEO 1 1/16"
8	543067	4	O-ring	23.47x2.95
9	601061	1	Banjo bolt	R 3/8"
10	646755	1	Hose 6755	
11	646736	1	Hose 6736	
12	646734	1	Hose 6734	
13	646735	1	Hose 6735	
14	646754	1	Hose 6754	
15	646737	1	Hose 6737	
16	601102	5	Seal ring	3/8"
17	601032	1	Coupling	R 3/8" – R 3/8"
18	602026	3	Elbow	R 1/2" UF – IF 90
19	601036	3	Coupling	R 1/2" UF – R 1/2" UF
20	016818		Cylinder cover	Left / Vänster
	016819	1	Cylinder cover	Right / Höger
21	013805	4	Coupling	1/2" IF – 1/2" UF
22	615051	2	Hose cover	2" L=650 mm
23	500132	20	Screw	M6S M16x45 8.8 FZB
24	503063	20	Washer	M16 Nordlock
25	602016	1	Banjo	R 1/2"
26	602051	2	Coupling	R 3/8" – R 3/8" UF – IF
27	601103	9	Seal ring	1/2"
28	601362	2	Coupling	R 3/8" -> SAEO 3/4"
29	543066	2	O-ring	16.36x2.21
30	601062	1	Banjo bolt	R 1/2"



05 / 272

## Feed rollers

Structure 033664, 033665				
Pos.	Part no.	Quantity	Description	Specification
1	043094	2	Feed roller	S
2	043095	2	Feed roller	E
3	016638	Req / Erf	Bar	S
4	016812	Req / Erf	Bar	E



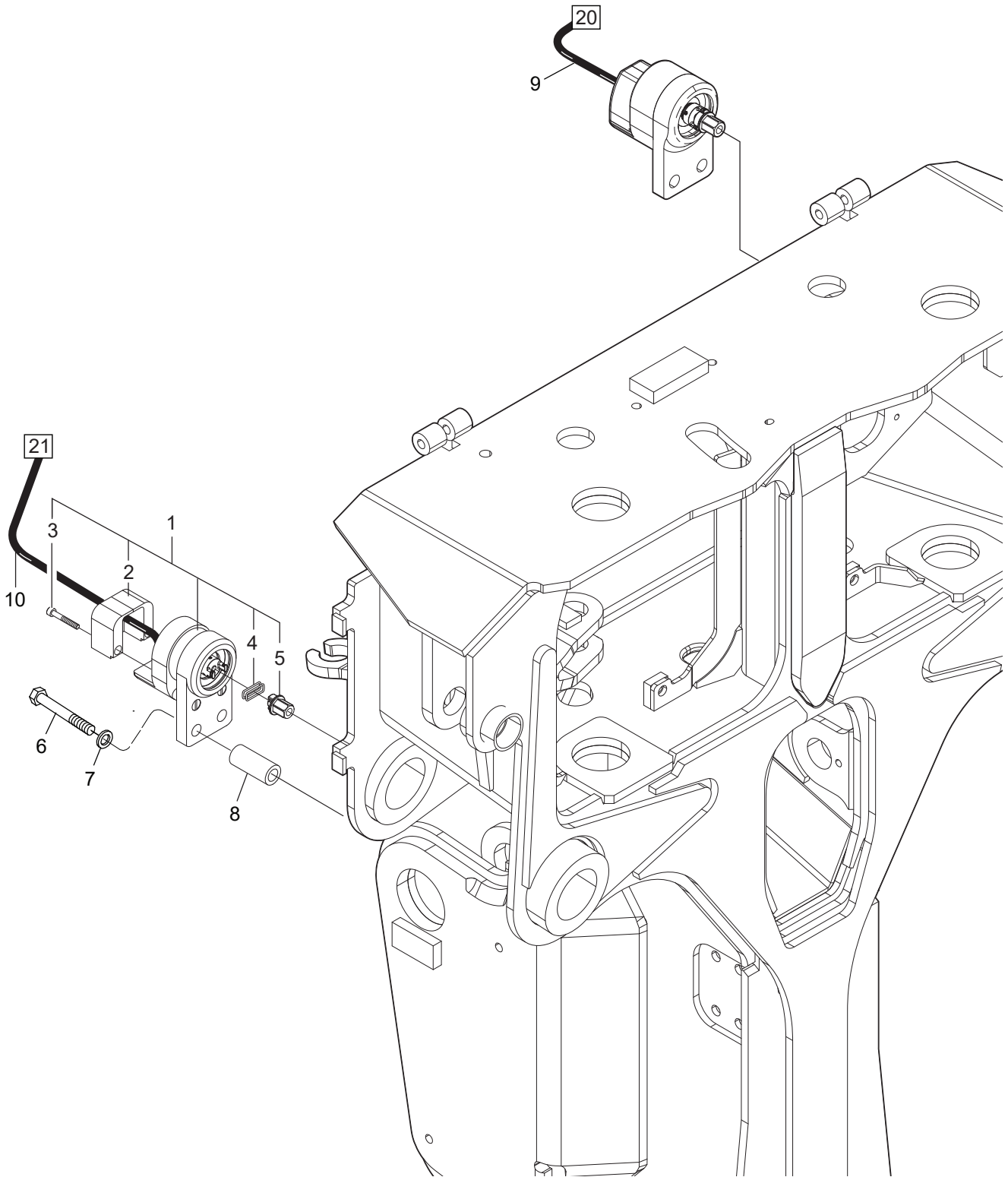
## Feed rollers eucalyptus 45°

Structure 033690				
Pos.	Part no.	Quantity	Description	Specification
1	043035	2	Feed roller	
2	015776	Req / Erf	Bar	





# Measuring

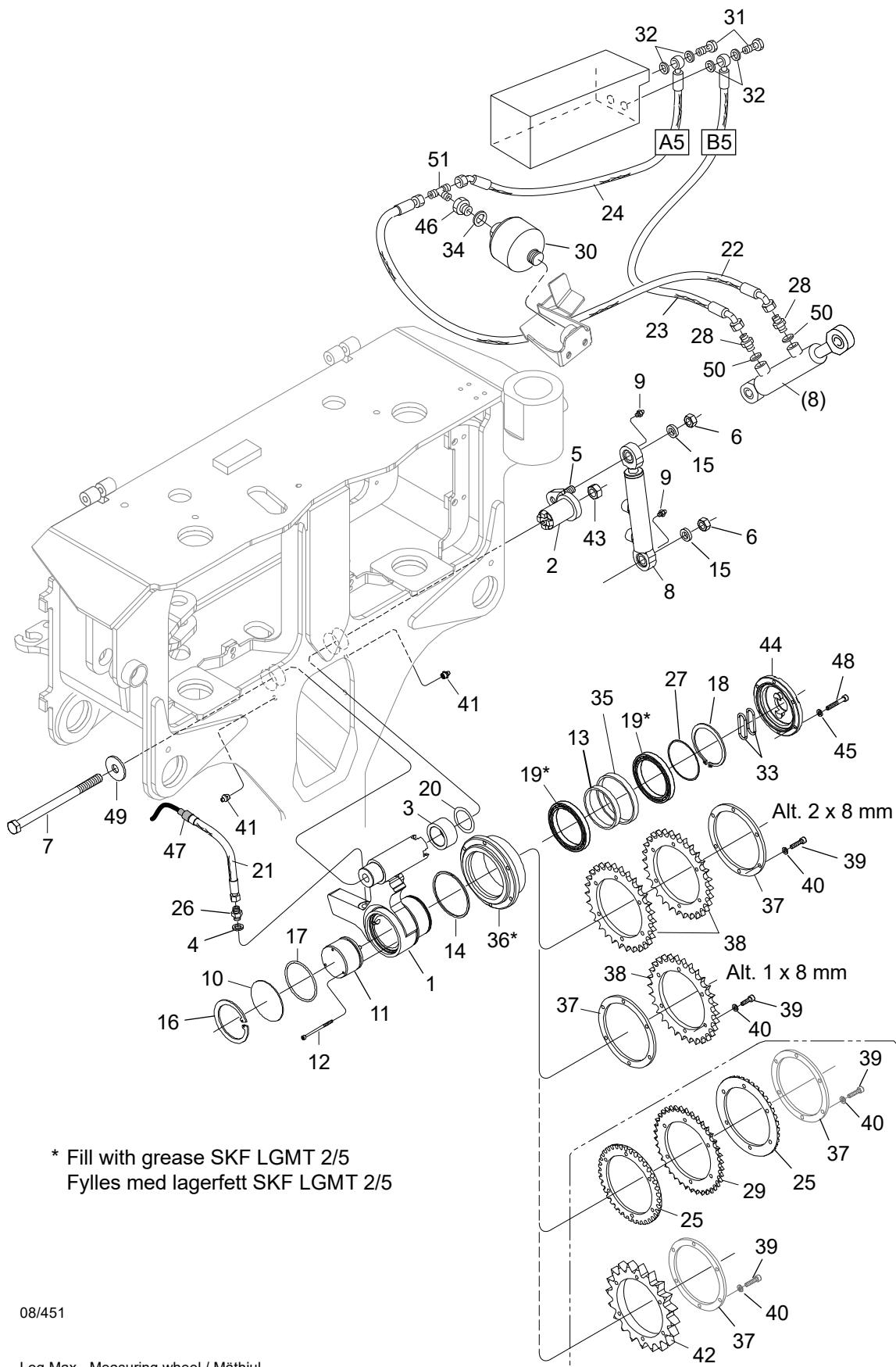


08/014

Log Max 5000D, 6000B/Twin/E6

## Diameter measuring

Structure 006918				
Pos.	Part no.	Quantity	Description	Specification
1	401267	2	Shaft compl.	With encoder / Med pulsgivare 600 ppr
2	401226	2	Cover	Left – right kit / Vänster – höger kit
3	501034	4	Screw	MC6S M5x35
4	540039	4	O-ring	10.82x1.78
5	017634	2	Hexagon plug	
6	501117	4	Screw	MC6S M12x80 12.9
7	503060	4	Washer	M12 Nordlock
8	012640	4	Spacer	
9	402571	1	Cable	“20”
10	402571	1	Cable	“21”



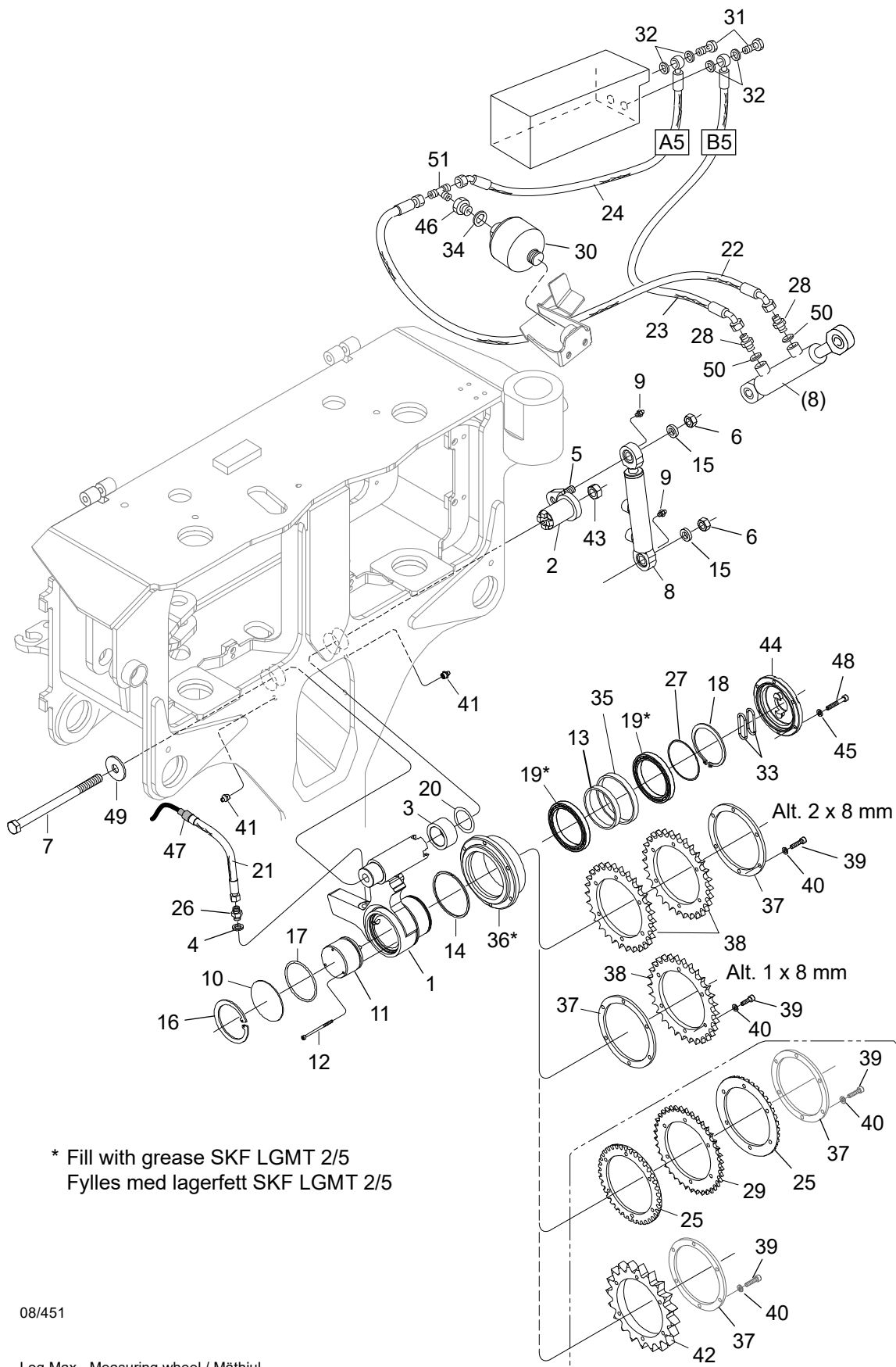
\* Fill with grease SKF LGMT 2/5  
Fylles med lagerfett SKF LGMT 2/5

08/451

Log Max - Measuring wheel / Måthjul

## Measuring wheel

Structure 006411, 045060				
Pos.	Part no.	Quantity	Description	Specification
1	017813	1	Wheelarm	
2	015168	1	Driver	
3	012181	1	Spacer	
4	601102	1	Seal ring	3/8"
5	015167	1	Pin	
6	502056	2	Nut	M12 Low / Låg
7	505076	1	Screw	M6S M14x200 10.9
8	018870	1	Hydraulic cylinder	Ø 25/16 – 45
9	625004	2	Grease nipple	M6
10	015443	1	Cover	
11	401228	1	Encoder	500 ppr, Log Mate 500, Dasa Forester
	401229	1	Encoder	80 ppr, Dasa4/Cabswin, IT/PC, VU
12	500511	3	Screw	MCS M3x45 8.8 FZB
13	017701	1	Spacer ring	
14	546002	1	Seal ring	
15	010170	2	Spacer	
16	517254	1	Circlip	SGH 75
17	540130	1	O-ring	67x3.0
18	517068	1	Circlip	SGA 70
19	508051	2	Bearing	61814 – 2RS
20	507002	Req / Erf	Shim	36x45x0.5
	507003	Req / Erf	Shim	36x45x0.3
21	642863	1	Hose 2863	
22	646756	1	Hose 6756	
23	646757	1	Hose 6757	
24	646758	1	Hose 6758	
25	018127	2	Spacer	Ø 146 Option / Alternativ
26	601032	1	Coupling	R 3/8" – R 3/8"
27	507066	1	Shim	70.1x74.1x0.5
28	601030	2	Coupling	BSP -06
29	018128	1	Wheel	Ø 164 Option / Alternativ
30	610120	1	Accumulator	0.16 L - 0 bar Empty / Oladdad
	610113	1	Accumulator	0.16 L – 65 bar Loaded / Laddad



\* Fill with grease SKF LGMT 2/5  
Fylles med lagerfett SKF LGMT 2/5

08/451

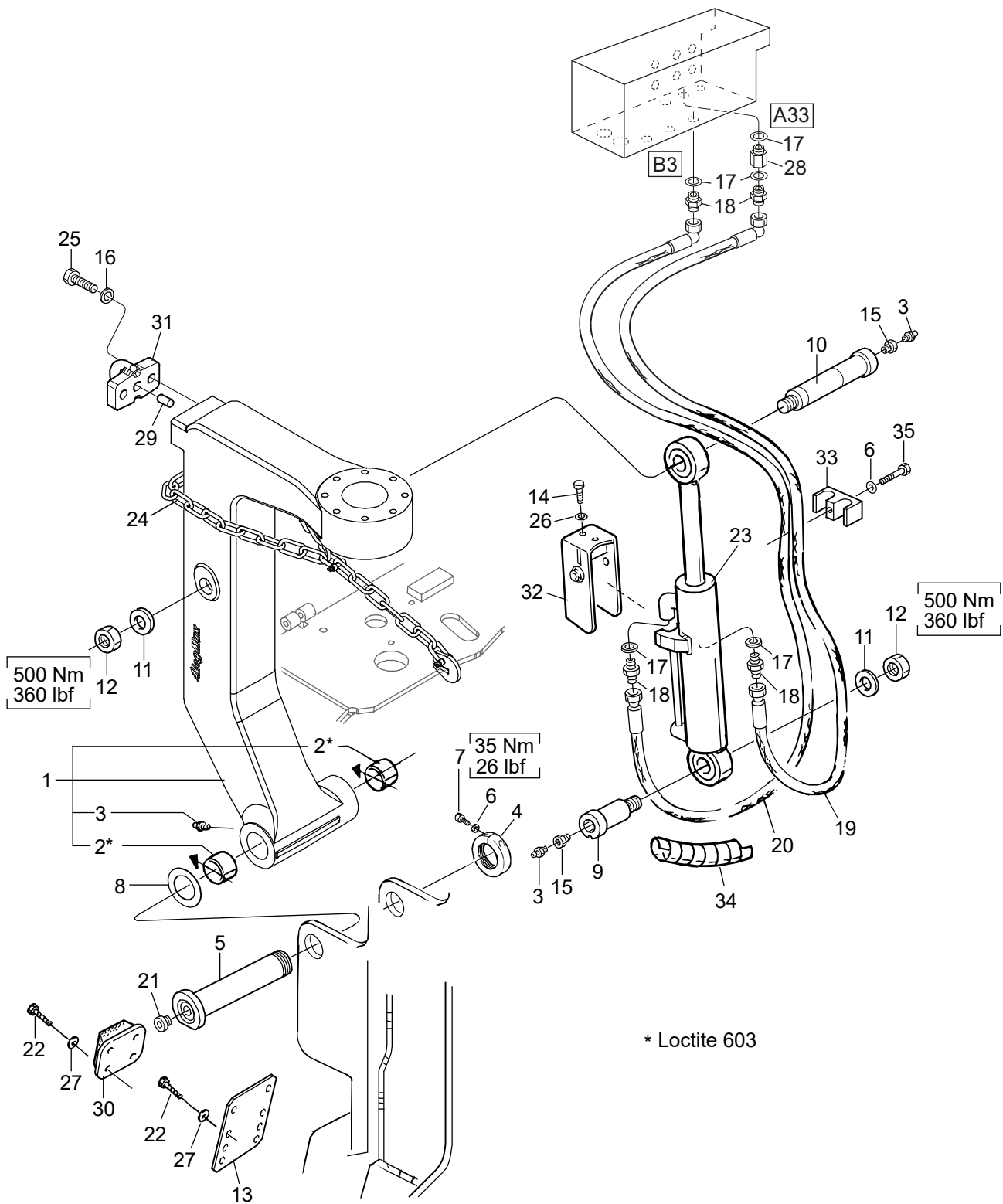
Log Max - Measuring wheel / Måthjul

Structure				
Pos.	Part no.	Quantity	Description	Specification
31	601060	2	Banjo bolt	R 1/4"
32	601200	4	Seal ring	Ø 13x19x1.5
33	540116	2	O-ring	22.2x3.0
34	601103	1	Seal ring	1/2"
35	017702	1	Spacer ring	
36	012965	1	Hub	
37	012976	1	Spacer	
38	012974	2	Wheel	5/8"x162
39	501049	6	Screw	MC6S M6x30 12.9
40	503065	6	Washer	M6 Nordlock
41	625000	2	Grease nipple	KR 1/8" – R
42	018131	1	Wheel	Ø 164 Option / Alternativ
43	502076	1	Nut	M14
44	017700	1	Cover	
45	503066	6	Washer	M5 Nordlock
46	602059	1	Coupling	R 1/2" – R 1/4" UF – IF
47	015113	1	Shrink hose	L=50 mm
48	501029	6	Screw	MC6S M5x20 12.9
49	503020	1	Washer	SRKB FZB 14x42x3.0
50	601102	2	Seal ring	3/8"
51	601015	1	T-coupling	R 1/4" UF – IR





# Felling unit

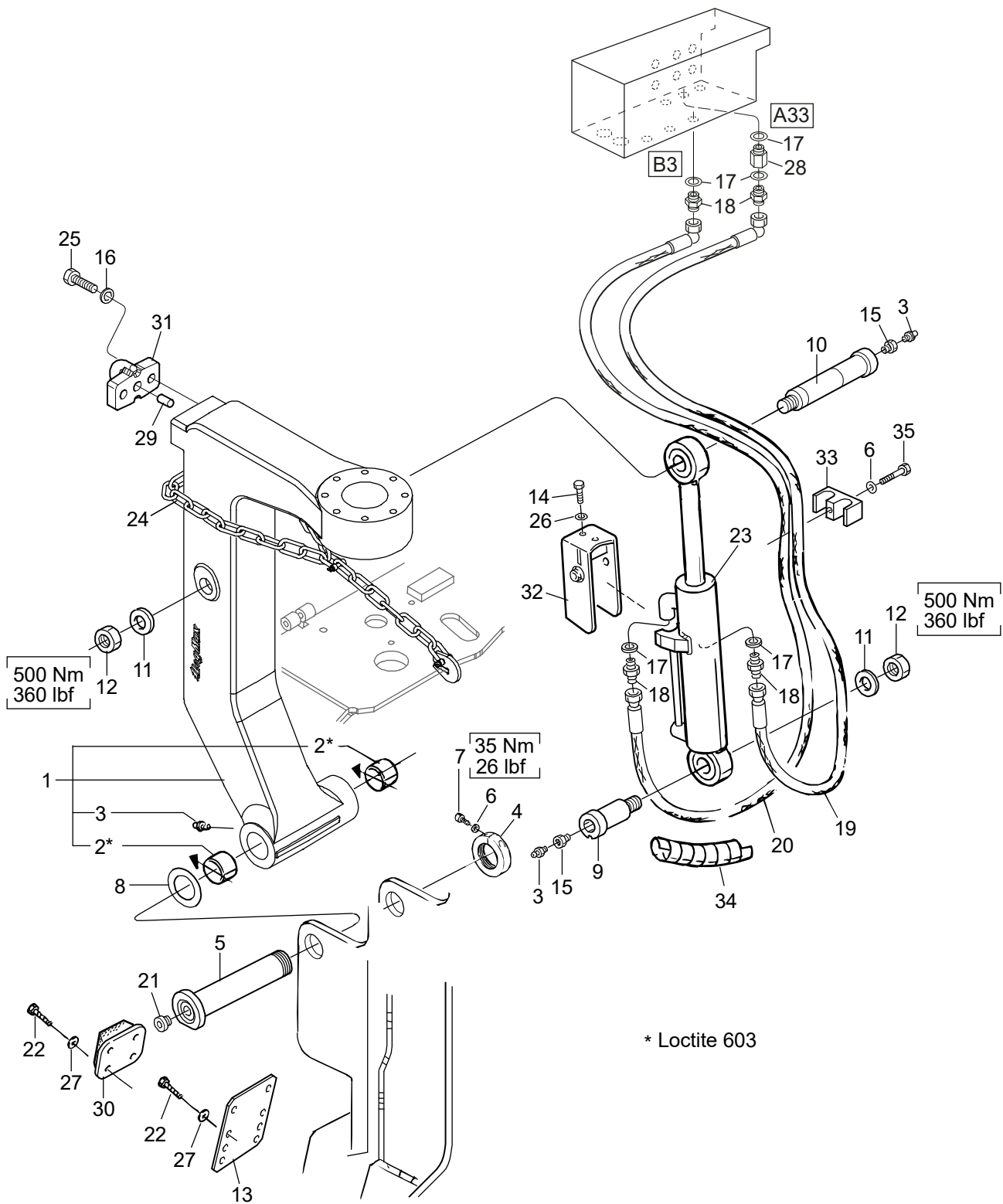


04/002

Log Max 6000Twin

## Felling link

Structure 006405				
Pos.	Part no.	Quantity	Description	Specification
1	049001	1	Felling link	
2	512030	2	Bushing	70x60
3	625000	3	Grease nipple	KR 1/8" – R
4	016070	1	Threaded ring	M60x2
5	016068	1	Pin	Ø70 L=374 mm
6	503055	2	Washer	M8 Nordlock
7	501070	1	Screw	MC6S M8x25 12.9
8	507011	Req / Erf	Shim	63x98x0.5
	507012	Req / Erf	Shim	63x98x1.0
	507063	Req / Erf	Shim	63x98x0.25
9	015711	1	Pin	Ø55 L=159 mm
10	015710	1	Pin	Ø52 L=296 mm
11	010342	2	Washer	
12	502062	2	Nut	M24 Locking Low / Låg
13	013649	1	Cover plate	
14	500068	2	Screw	M6S M10x25 8.8 FZB
15	602030	2	Coupling	R 1/8" – KR 3/8"
16	503072	2	Washer	M24 Nordlock
17	601102	5	Seal ring	3/8"
18	601032	4	Coupling	G 3/8" UF – UF
19	646749	1	Hose 6749	
20	646750	1	Hose 6750	
21	601003	1	Hex plug	1/2"
22	500022	12	Screw	M6S M6x14 8.8 FZB
23	015740	1	Hydraulic cylinder	Ø63/40 – 300
24	523093	1	Safety chain	
25	505058	2	Screw	M6S M24x70 10.9 H.G.
26	503057	2	Washer	M10 Nordlock
27	503073	12	Washer	M6 Nordlock Wide / Stor
28	602051	1	Coupling	R 3/8" – R 3/8" UF – IF
29	515030	1	Cylinder pin	25x45
30	014377	2	Rubber damper	
31	016227	1	Chain holder	



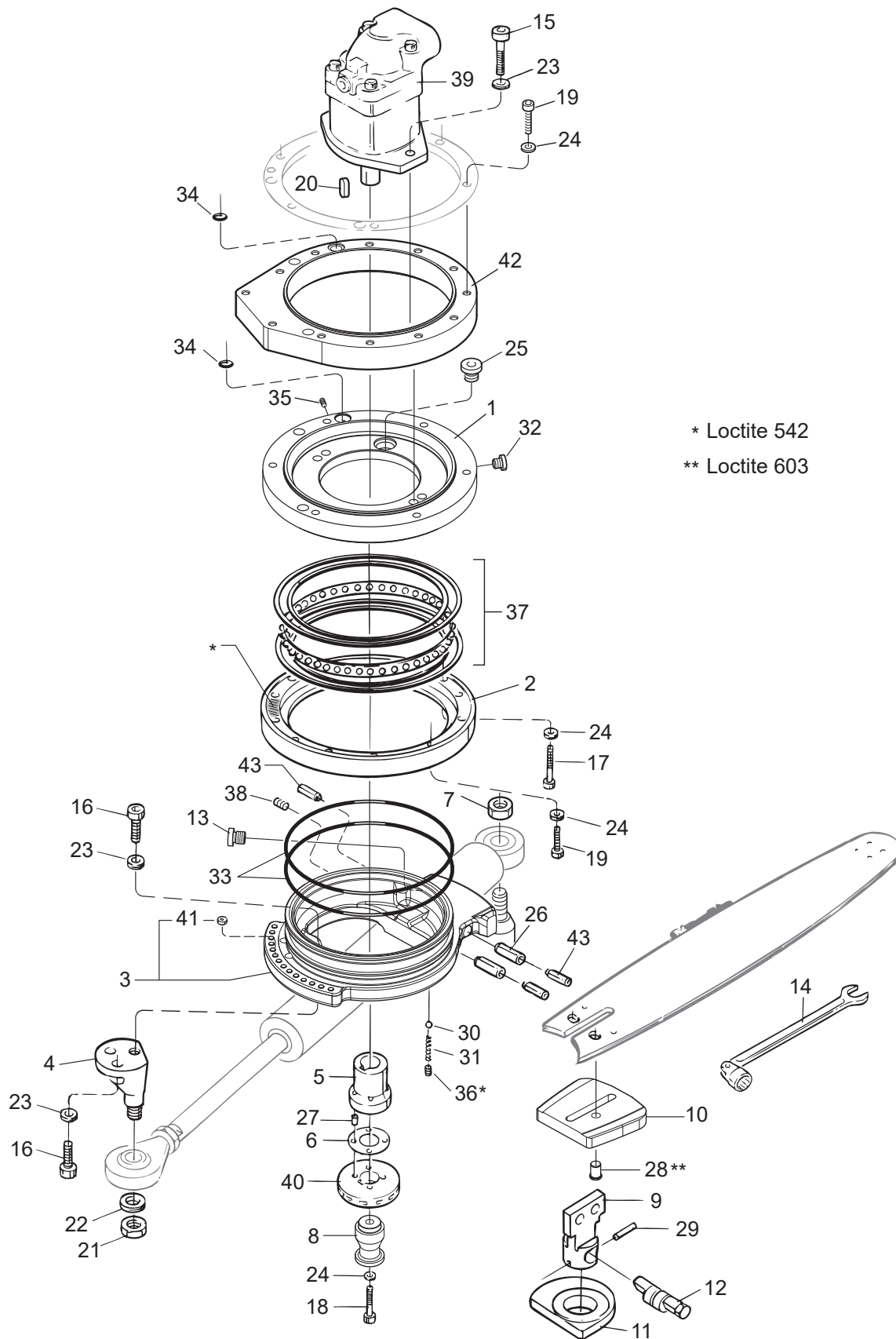
04/002

Log Max 6000Twin

Structure				
Pos.	Part no.	Quantity	Description	Specification
32	015709	1	Cylinder cover	
33	016878	1	Clamp	3/8" Ø16mm
34	615050	1	Hose cover	1" L = 900
35	501074	1	Screw	MC6S M8x45 12.9



# Saw unit



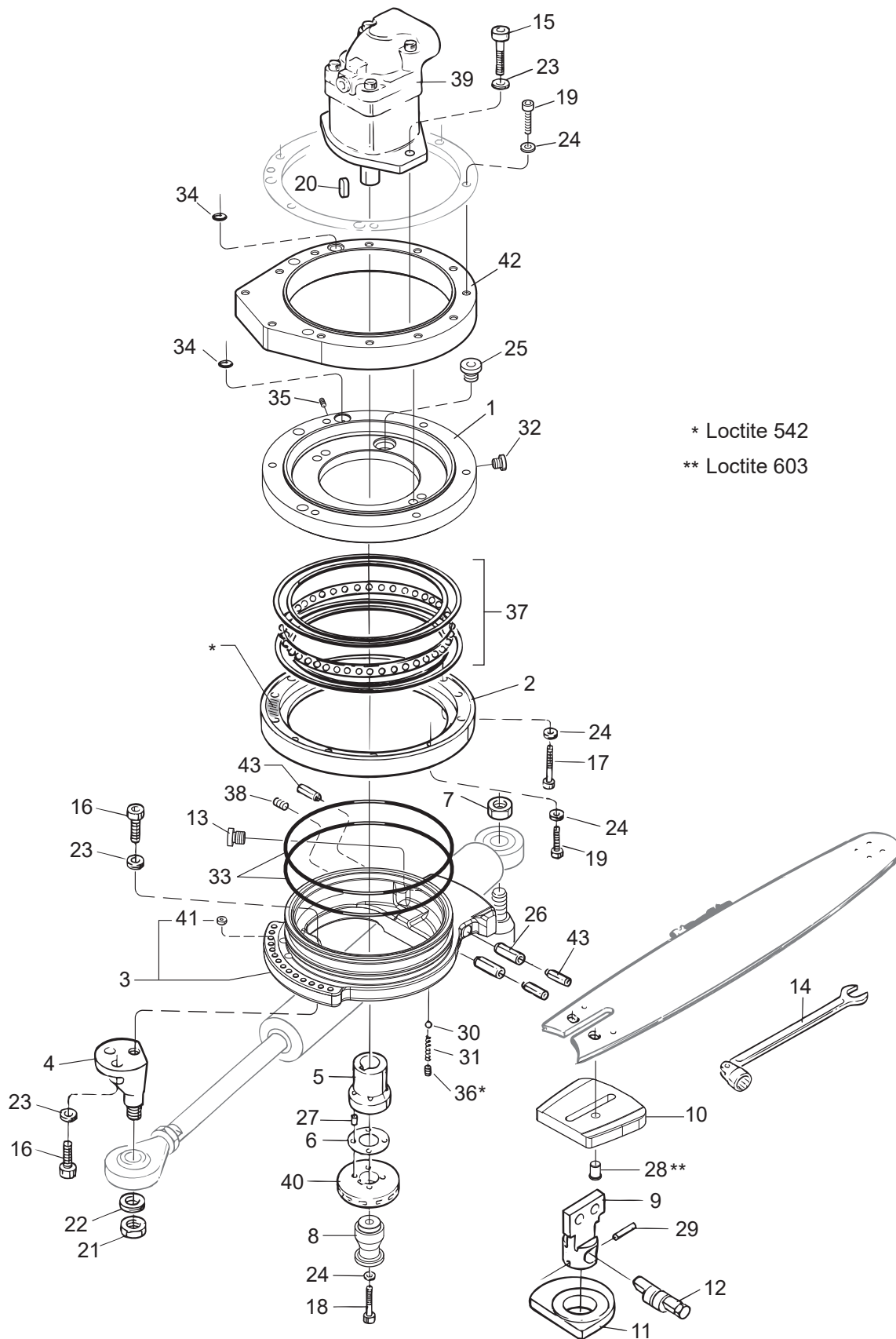
06 / 052

Log Max Säg 98B



## Saw unit 98B

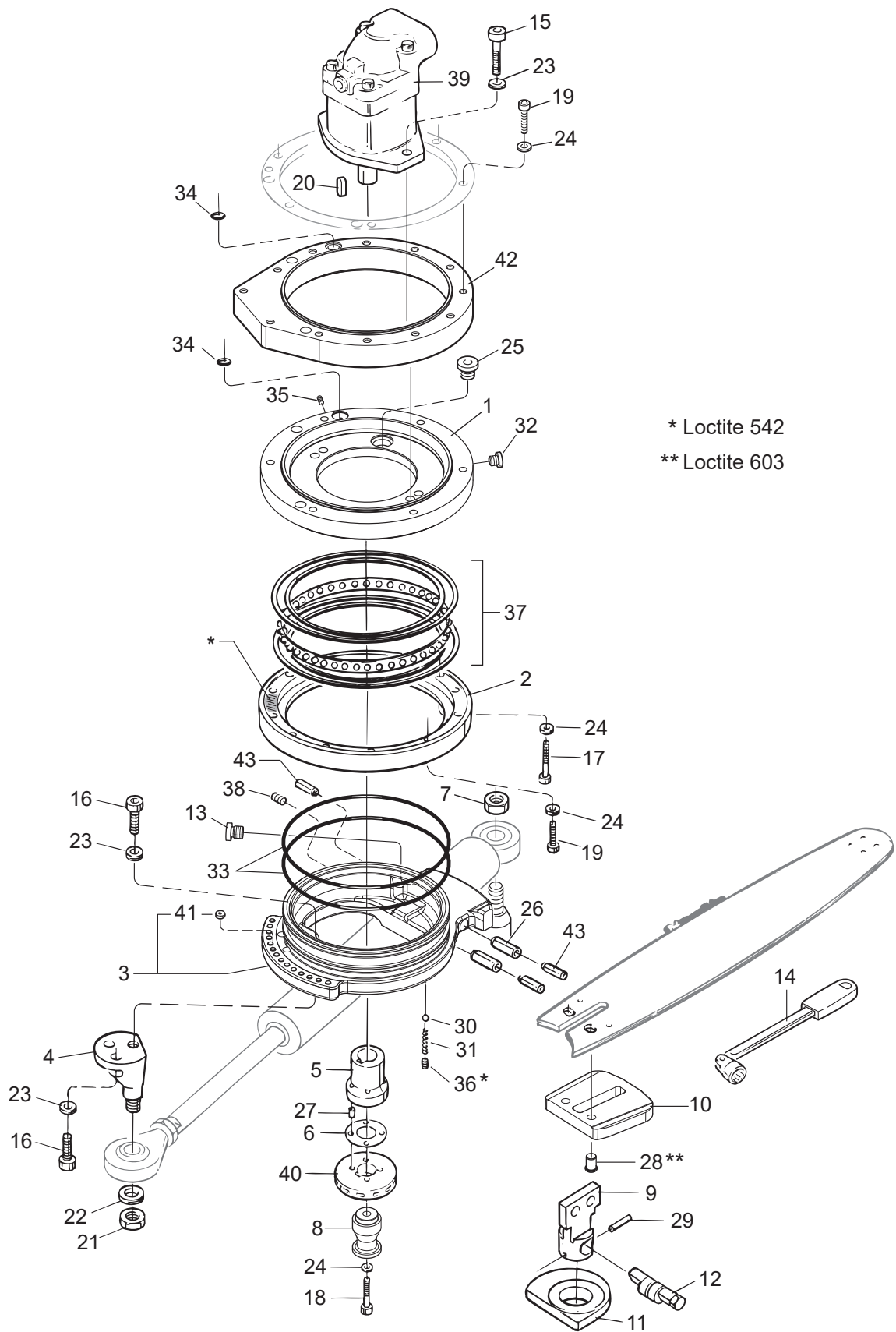
Structure 006412				
Pos.	Part no.	Quantity	Description	Specification
1	013172	1	Bracket	F11 – 19
2	012514	1	Cover	
3	016206	1	Saw bar bracket	
4	012335	1	Pin	
5	012334	1	Companion	F11 – 19
6	549210	Req / Erf	Shim	25 – 0.5 mm
	549211	Req / Erf	Shim	25 – 1.0 mm
7	502705	1	Nut	M16 Locking 12.9
8	012614	1	Chain catcher	F11 – 19
9	012518	1	Pin	
10	016935	1	Thrust plate	Wide / Bred
	016934	(1)	Thrust plate	Narrow / Smal
11	012520	1	Excenter	"S"
	012736	1	Excenter	"M"
12	012519	1	Lock shaft	
13	601001	1	Hex plug	R 1/4"
14	522260	1	Comb. wrench	
15	501110	2	Screw	MC6S M12x35 12.9
16	501108	3	Screw	MC6S M12x25 12.9
17	501076	6	Screw	MC6S M8x55 12.9
18	501075	1	Screw	MC6S M8x50 12.9
19	501071	18	Screw	MC6S M8x30 12.9
20	554027	1	Pin key	F11 – 19
21	502706	1	Nut	M16
22	503063	1	Washer	M16 Nordlock
23	503060	5	Washer	M12 Nordlock
24	503055	25	Washer	M8 Nordlock
25	602090	1	Plug	M22x1.5
26	515022	2	Cylinder pin	Ø 12x36
27	515010	4	Cylinder pin	Ø 6x20
28	016774	1	Cylinder pin	Ø 10
29	515013	1	Tension pin	6x32 FRP
30	511003	1	Steel ball	



06 / 052

Log Max Säg 98B

Structure				
Pos.	Part no.	Quantity	Description	Specification
31	526014	1	Spring	
32	602106	1	Plug	R 1/8" Conical / Konisk
33	543038	2	O-ring	Ø 180.0x3.0
34	540070	2	O-ring	Ø 13.3x2.4
35	513026	1	Screw	SK6SS 5x10
36	613017	1	Orifice	M6 – 2.5mm
37	508100	1	Bearing unit	
38	513040	1	Screw	P6SS M6x6
39	609119	1	Saw motor	F11 – 19
	554232	1	Seal kit	
40	549103	1	Sprocket	F11 – 19/12
41	514051	14	Magnet	
42	016522	1	Adapter plate	
43	515017	3	Cylinder pin	13x12 FRP

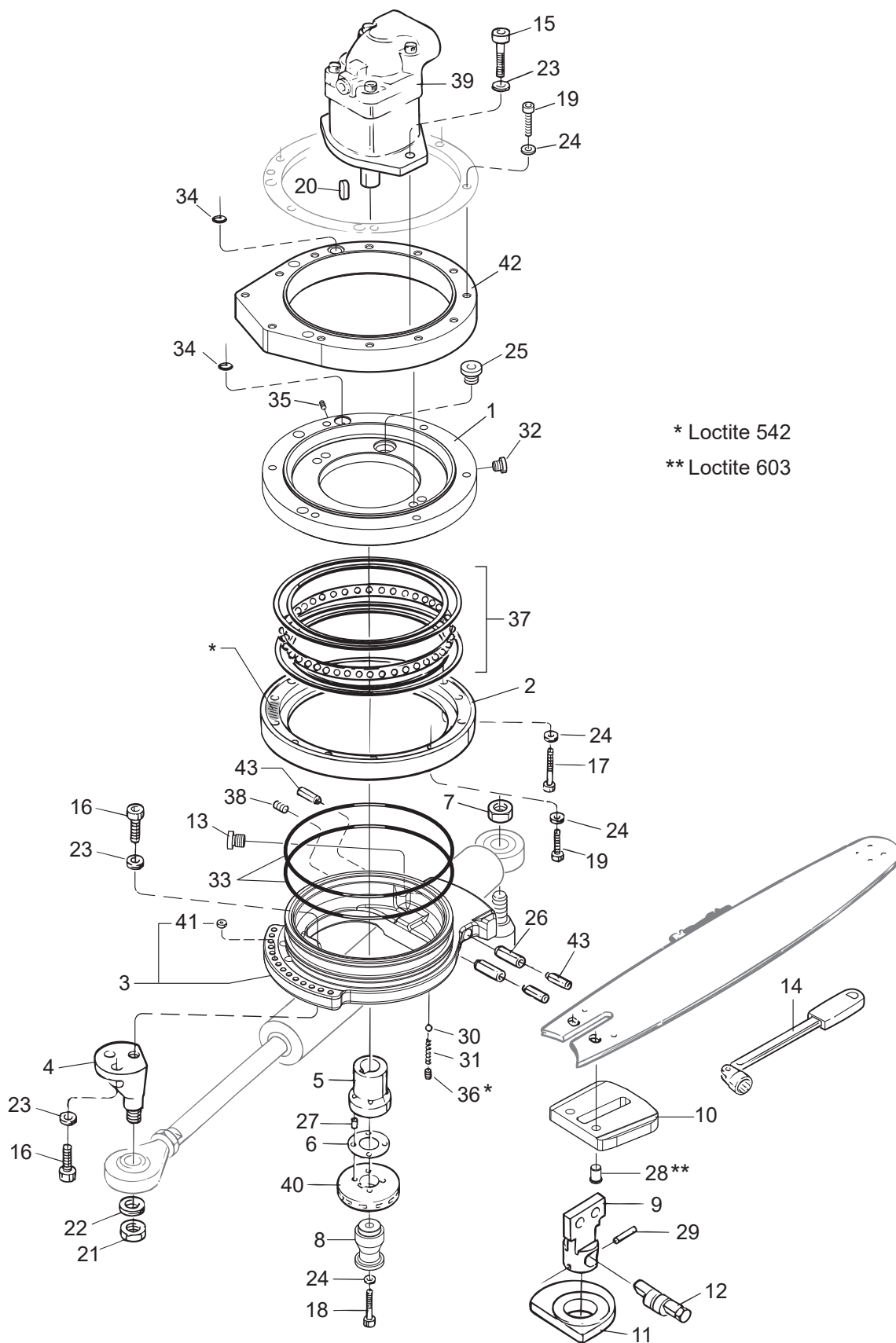


06 / 053

Log Max Säg 98XL

## Saw unit 98XL

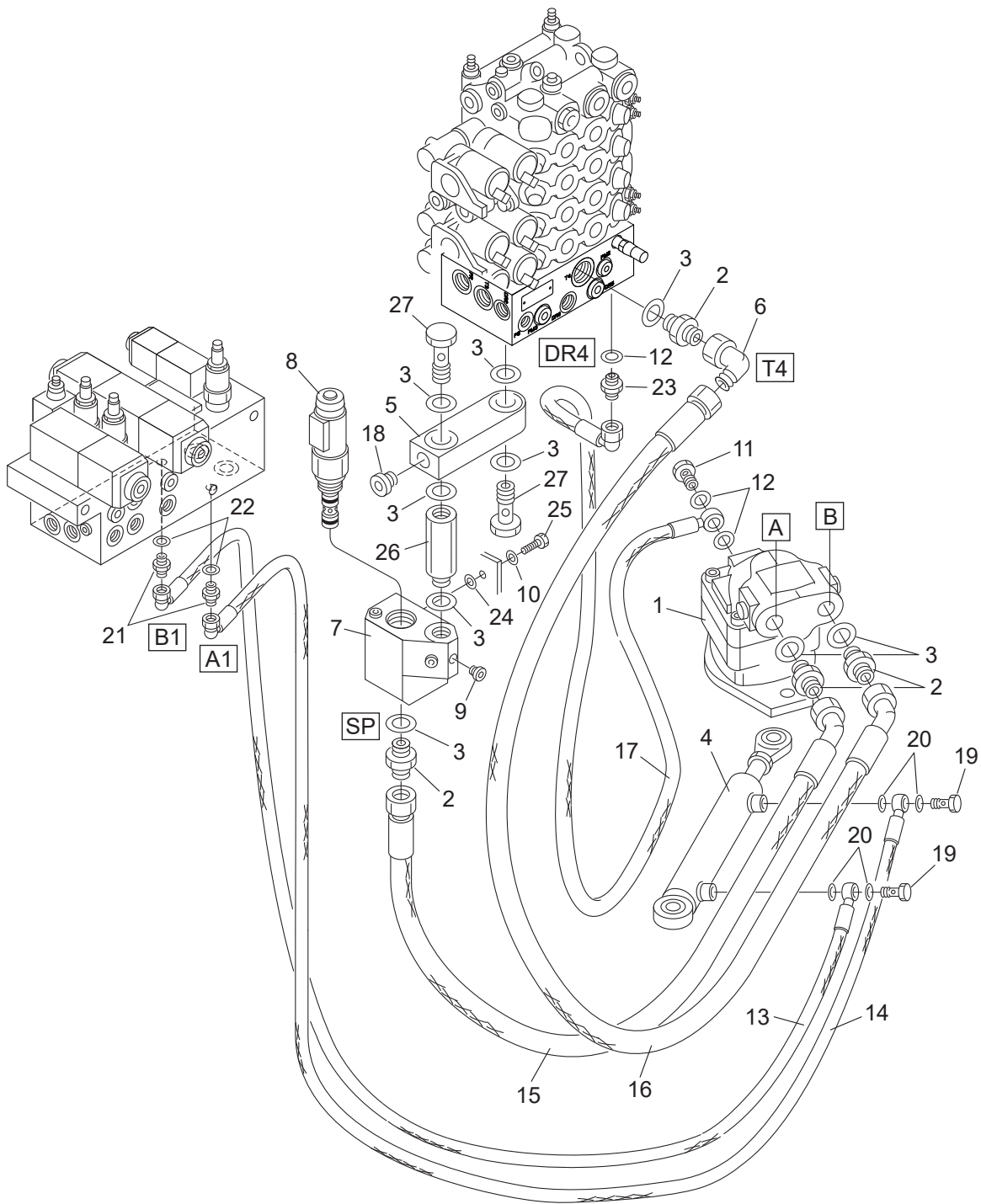
Structure 006412, 046050				
Pos.	Part no.	Quantity	Description	Specification
1	013172	1	Bracket	F11 – 19
2	012514	1	Cover	
3	014570	1	Saw bar bracket	
4	012335	1	Pin	
5	012334	1	Companion	F11 – 19
6	549210	Req / Erf	Shim	25 – 0.5 mm
	549211	Req / Erf	Shim	25 – 1.0 mm
7	502705	1	Nut	M16 Locking 12.9
8	012614	1	Chain catcher	F11 – 19
9	013684	1	Pin	
10	016936	1	Thrust plate	"J"
11	015256	1	Excenter	"J"
	017118	1	Excenter	"K"
12	012519	1	Lock shaft	
13	601001	1	Hex plug	R 1/4"
14	522261	1	Wrench	16 mm
15	501110	2	Screw	MC6S M12x35 12.9
16	501108	3	Screw	MC6S M12x25 12.9
17	501076	6	Screw	MC6S M8x55 12.9
18	501075	1	Screw	MC6S M8x50 12.9
19	501071	18	Screw	MC6S M8x30 12.9
20	554027	1	Pin key	F11 – 19
21	502706	1	Nut	M16
22	503063	1	Washer	M16 Nordlock
23	503060	5	Washer	M12 Nordlock
24	503055	25	Washer	M8 Nordlock
25	602090	1	Plug	M22x1.5
26	515022	2	Cylinder pin	Ø 12x36
27	515010	4	Cylinder pin	Ø 6x20
28	016774	2	Cylinder pin	Ø 10
29	515013	1	Tension pin	6x32 FRP
30	511003	1	Steel ball	
31	526014	1	Spring	



06 / 053

Log Max Säg 98XL

Structure				
Pos.	Part no.	Quantity	Description	Specification
32	602106	1	Plug	R 1/8" Conical / Konisk
33	543038	2	O-ring	Ø 180.0x3.0
34	540070	2	O-ring	Ø 13.3x2.4
35	513026	1	Screw	SK6SS 5x10
36	613017	1	Orifice	M6 – 2.5 mm
37	508100	1	Bearing unit	
38	513040	1	Screw	P6SS M6x6
39	609119	1	Saw motor	F11 – 19
	554232	1	Seal kit	F11 – 19
40	549103	1	Sprocket	F11 – 19/12
41	514051	14	Magnet	
42	016522	1	Adapter plate	
43	515017	3	Cylinder pin	13x12 FRP



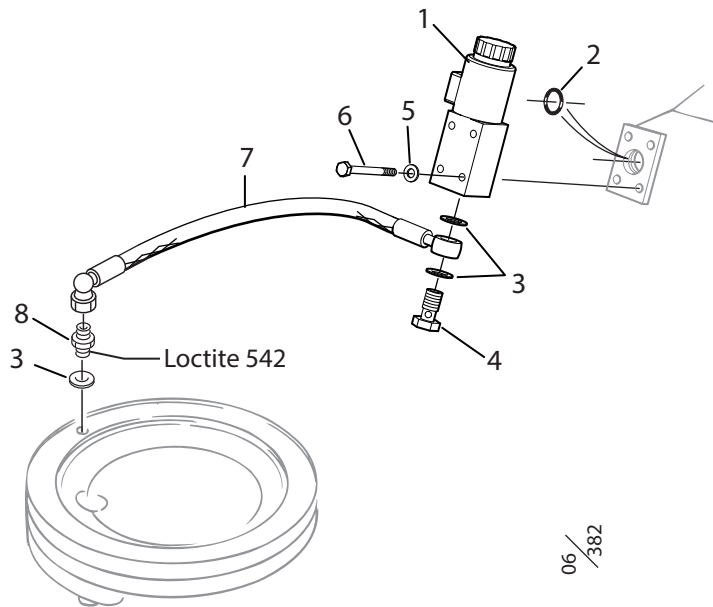
06 / 030

Log Max 6000 Twin



## Saw hydraulic

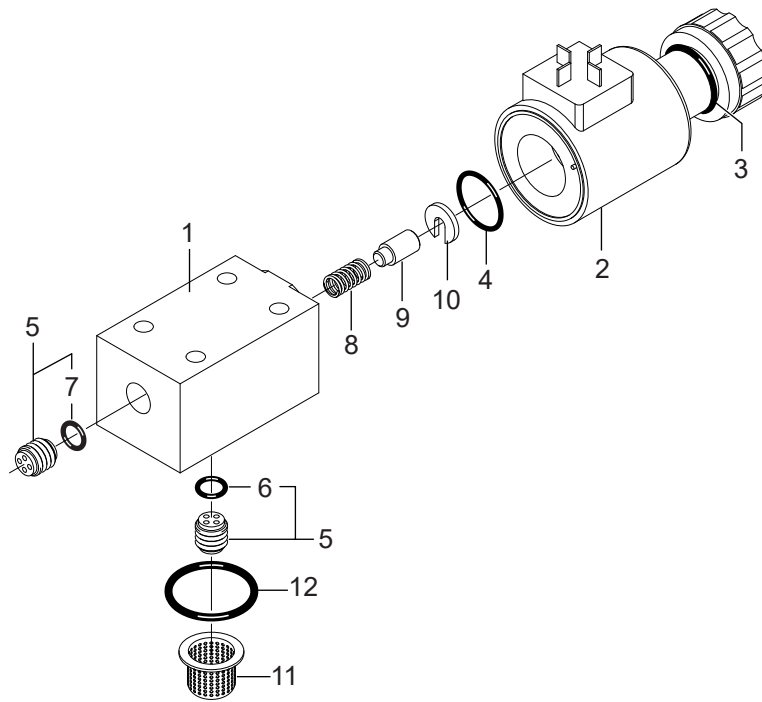
Structure 006412, 006421, 006422				
Pos.	Part no.	Quantity	Description	Specification
1	609119	1	Saw motor	F11-19
2	601040	4	Coupling	R 3/4" UF – R 3/4" UF
3	601104	9	Seal ring	3/4"
4	015669	1	Hydraulic cylinder	Ø40/25 – 106
5	017486	1	Banjo link	3/4"
6	602028	1	Elbow	R 3/4" UF – IF 90
7	016726	1	Saw valve	
8	612062	1	Saw valve	
	620355	1	Seal kit	
	613057	1	Solenoid	24 V
9	601001	1	Hex plug	1/4" R
10	503075	1	Washer	Nordlock M10 Wide / Stor
11	601061	1	Banjo bolt	R 3/8"
12	601102	3	Seal ring	3/8"
13	646724	1	Hose 6724	
14	646725	1	Hose 6725	
15	646771	1	Hose 6771	
16	646772	1	Hose 6772	
17	646774	1	Hose 6774	
18	601003	1	Hex plug	1/2" R
19	601060	2	Banjo bolt	R 1/4"
20	601200	4	Cu-washer	13x19x1.5
21	601029	2	Coupling	R 1/4" UF – R 3/8" UF
22	601101	2	Seal ring	1/4"
23	601032	1	Coupling	R 3/8" – R 3/8"
24	014117-5	1	Spacer	Ø22/12 – 5
25	500071	1	Screw	M6S M10x40 8.8 FZB
26	016840	1	Coupling	IF 3/4" – UF 3/4"
27	601067	2	Banjo bolt	R 3/4"



Log Max 5/6/7000

## Chain lubrication - Easy Greasy

Structure 006420				
Pos.	Part no.	Quantity	Description	Specification
1	033027	1	Pump cmpl	
2	540074	1	O-ring	Ø 17.3x2.4
3	601101	3	Seal ring	1/4"
4	601060	1	Banjo bolt	R 1/4"
5	503065	4	Washer	M6 Nordlock
6	500029	4	Screw	M6S M6x45 8.8 FZB
7	646775	1	Hose 6775	
8	014092	1	Coupling	G 1/4"

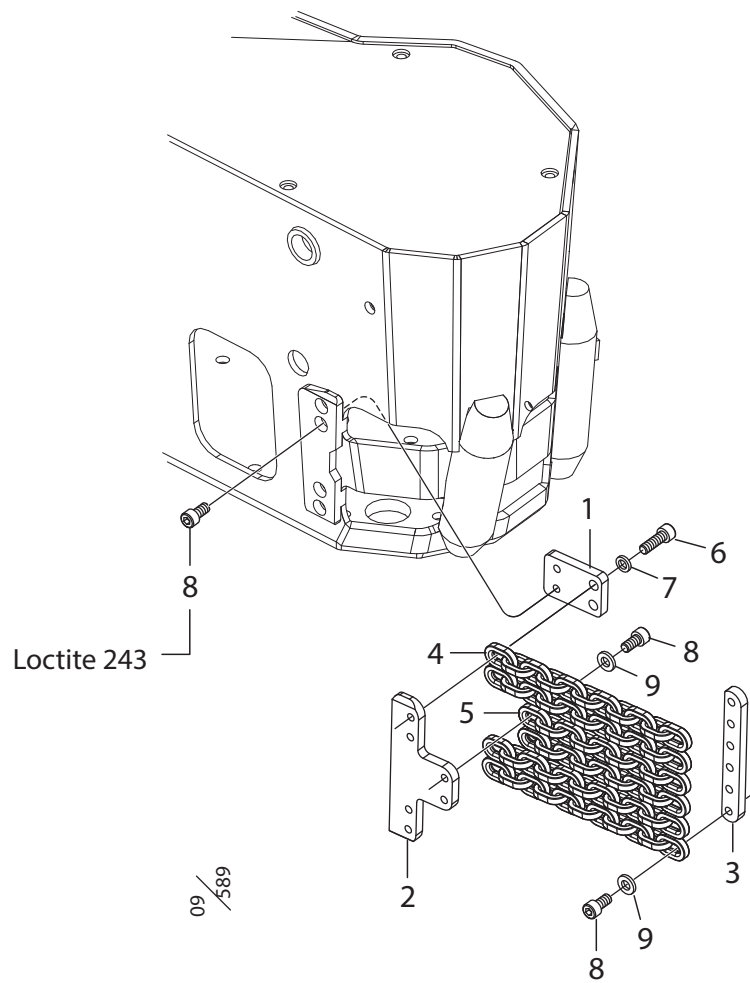


06/  
370

Easy Greasy

## Easy Greasy pump

Structure 033027				
Pos.	Part no.	Quantity	Description	Specification
1	016282	1	Pump housing	
2	613062	1	Solenoid	
3	540120	1	O-ring	21.82x3.53
4	543057	1	O-ring	9.0x1.0
5	540121	1	O-ring	17.17x1.78
6	016426	1	Spacer	
7	010897	1	Piston	0.20 cm <sup>3</sup>
8	526005	1	Spring	
9	617016	2	Check valve	
10	543013	1	O-ring	9.5x1.0
11	620302	1	Filter	
12	543012	1	O-ring	27.6x2.4



## Saw dust protection

Structure 031054, 017384				
Pos.	Part no.	Quantity	Description	Specification
1	017382	2	Plate	Inner / Inre
2	017383	1	Plate	Inner / Inre
3	016776	1	Plate	Outer / Yttre
4	523002	4	Chain	11 – Links / Länk
5	523003	2	Chain	9 – Links / Länk
6	501070	4	Screw	MC6S M8x25 12.9
7	503055	4	Washer	M8 Nordlock
8	501067	12	Screw	MC6S M8x16 12.9
9	503074	8	Washer	M8 Nordlock Wide / Stor





## Saw bar and chain, Saw 98B

Structure				
Pos.	Part no.	Quantity	Description	Specification
	549418-075		Saw bar	Z=12, L=750mm
	549418-080		Saw bar	Z=12, L=800mm
	549018-085		Saw chain	85E
	549018-090		Saw chain	90E

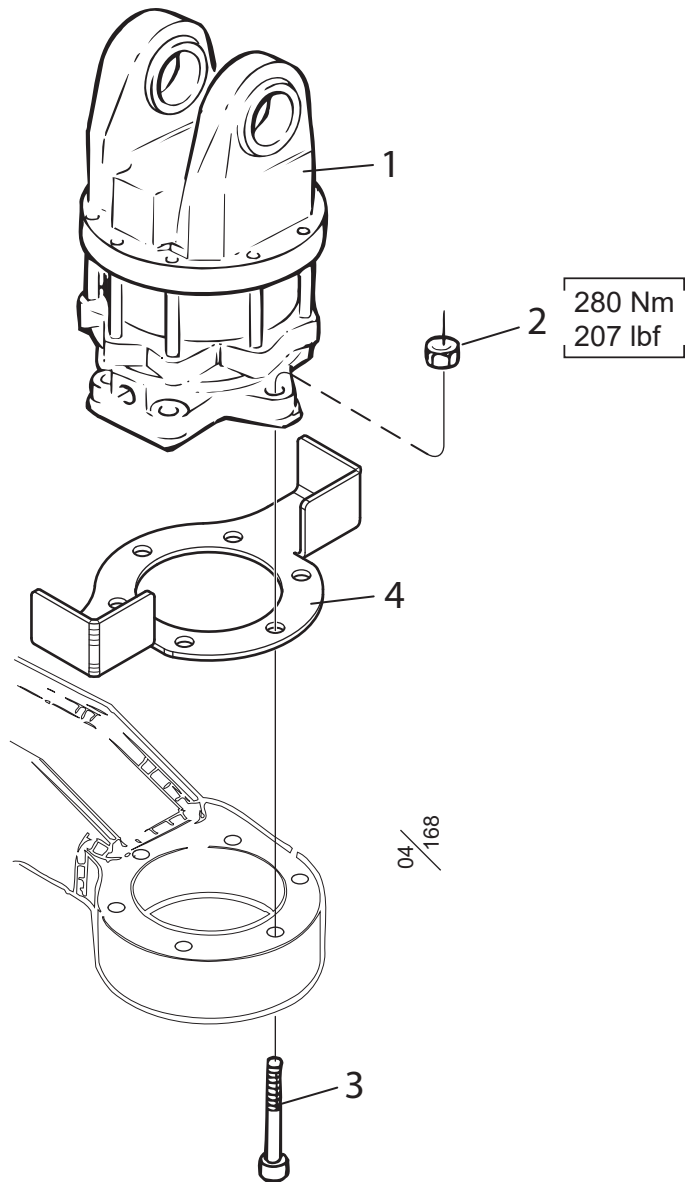


## Saw bar and chain, Saw 98XL

Structure				
Pos.	Part no.	Quantity	Description	Specification
	549518-175		Saw bar	Z=12, L=750mm
	549518-182		Saw bar	Z=12, L=820mm
	549018-086		Saw chain	86E
	549018-093		Saw chain	93E

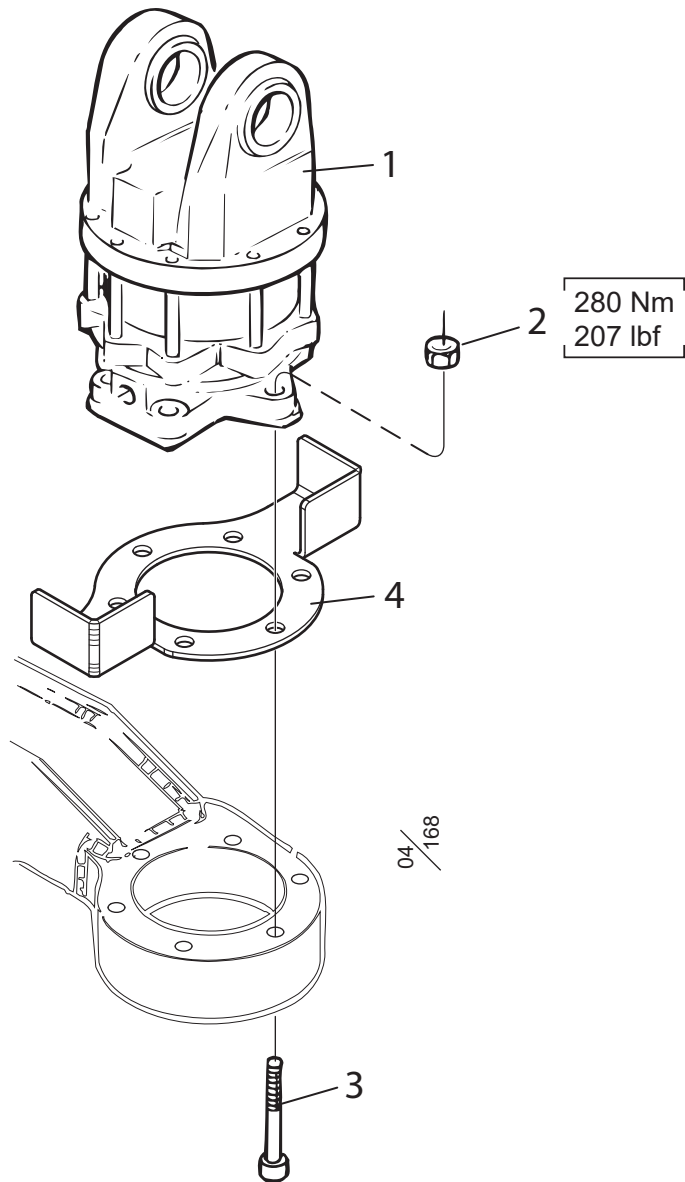


# Rotators



## Rotator AV17S

Structure 049072, 032139				
Pos.	Part no.	Quantity	Description	Specification
1	618038	1	Rotator	
2	502705	6	Nut	M16 Locking FZB KL 10
3	501147	6	Screw	MC6S M16x180 12.9
4	017117	1	Hose cover	



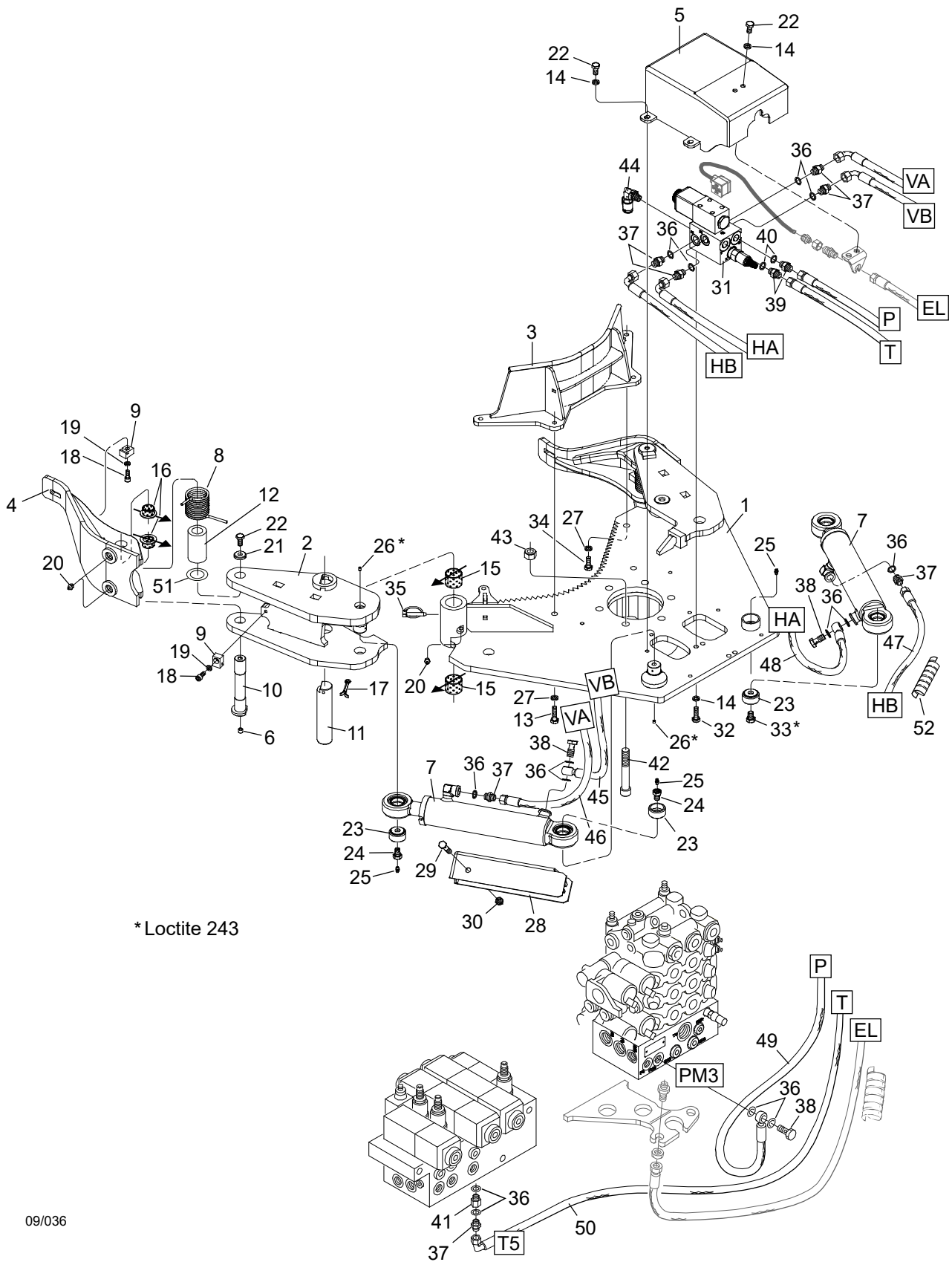


## Rotator HX30 LS

Structure 033084, 032139				
Pos.	Part no.	Quantity	Description	Specification
1	618103	1	Rotator	
2	502705	6	Nut	M16 Locking FZB KL10
3	501148	6	Screw	MC6S M16x160 12.9
	501147	6	Screw	MC6S M16x180 12.9 Only for / Endast för 017117
4	017117	1	Hose cover	



# Accessories

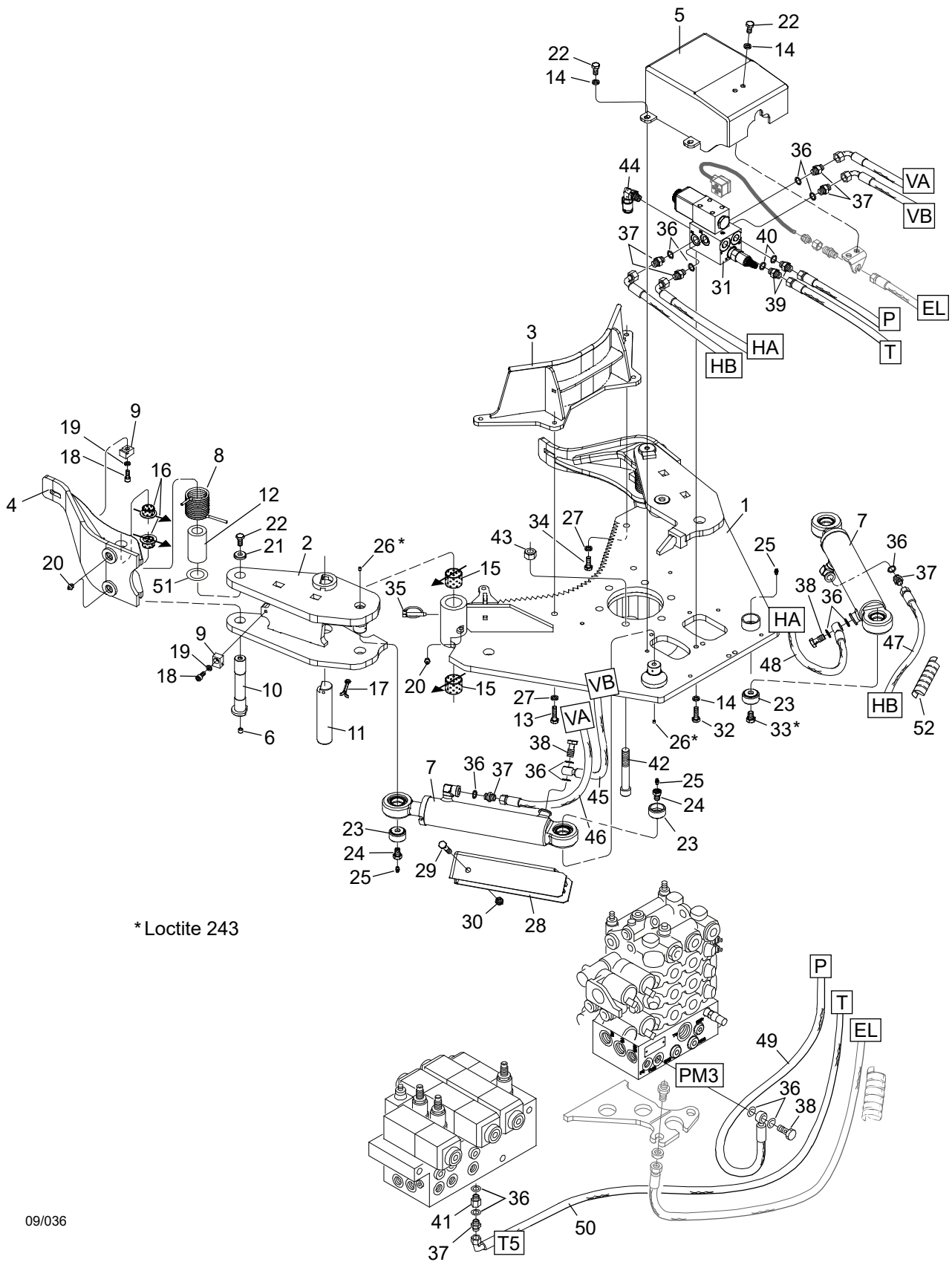


09/036

Log Max 6000B/Twin - Flerträdshantering

## Accumulation kit

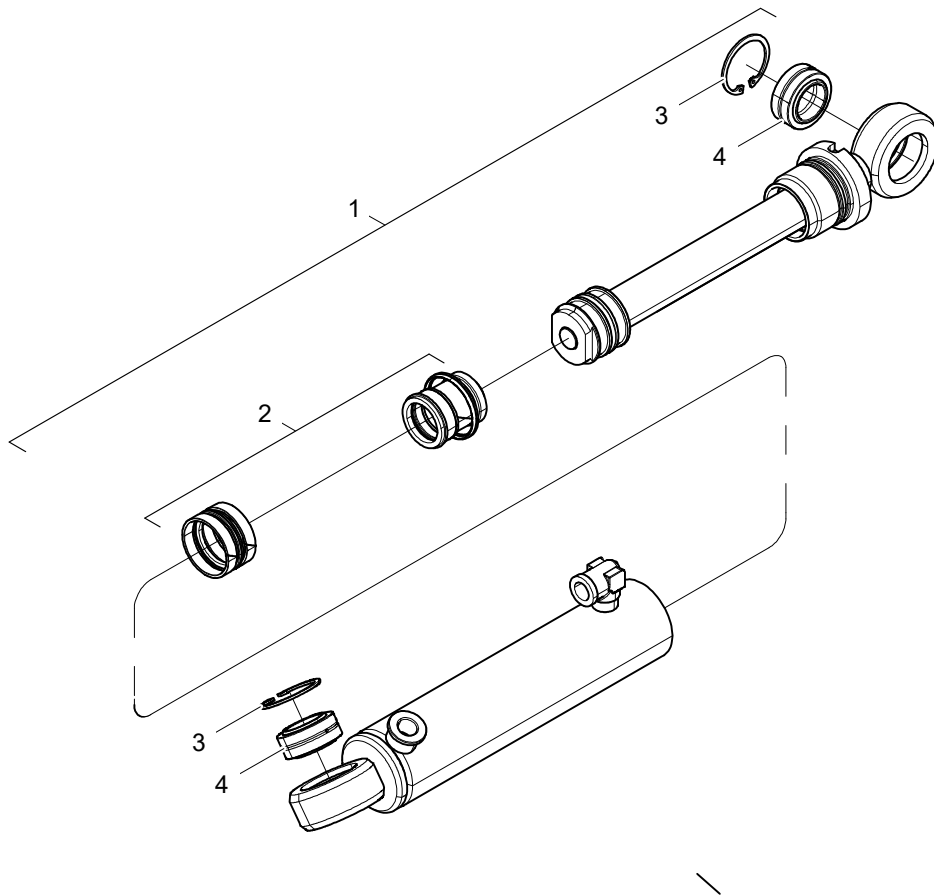
Structure 043102				
Pos.	Part no.	Quantity	Description	Specification
1	017155	1	Mounting plate	
2	017164	2	Arm	
3	017178	1	Support plate	
4	017180	2	Arm	
5	017189	1	Protective cover	
6	601000	2	Plug	1/8" R
7	017187	2	Hydraulic cylinder	Ø 50/32 – 192
8	015081	2	Torsion spring	
9	015079	4	Clamp	
10	017184	2	Pin	Ø 25 L=145 mm
11	017029	2	Shaft	Ø 35 L=156 mm
12	017163	2	Spacer	Ø 43
13	500094	2	Screw	M6S M12x45 8.8 FZB
14	503057	10	Washer	M10 Nordlock
15	512012	4	Bushing	35x30
16	512005	4	Bushing	25/28x16
17	516002	2	Cotter pin	6.3x50
18	501068	4	Screw	MC6S M8x20 12.9
19	503055	4	Washer	M8 Nordlock
20	625000	6	Grease nipple	KR 1/8" R
21	503048	2	Washer	10.5x28x6.0 FZB TBR SB
22	500066	8	Screw	M6S M10x20 8.8 FZB
23	012410	4	Sleeve	
24	012650	3	Screw	
25	625004	4	Grease nipple	M6
26	513040	3	Screw	P6SS M6x6
27	503076	4	Washer	M12 Nordlock
28	017186	2	Cylinder cover	
29	500078	2	Screw	M6S M10x75 8.8 FZB
30	502055	2	Nut	M10 Locking
31	017191	1	Manifold	
32	500069	2	Screw	M6S M10x30 8.8 FZB
33	500087	1	Screw	M6S M12x16 8.8 FZB



09/036

Log Max 6000B/Twin - Flerträdshantering

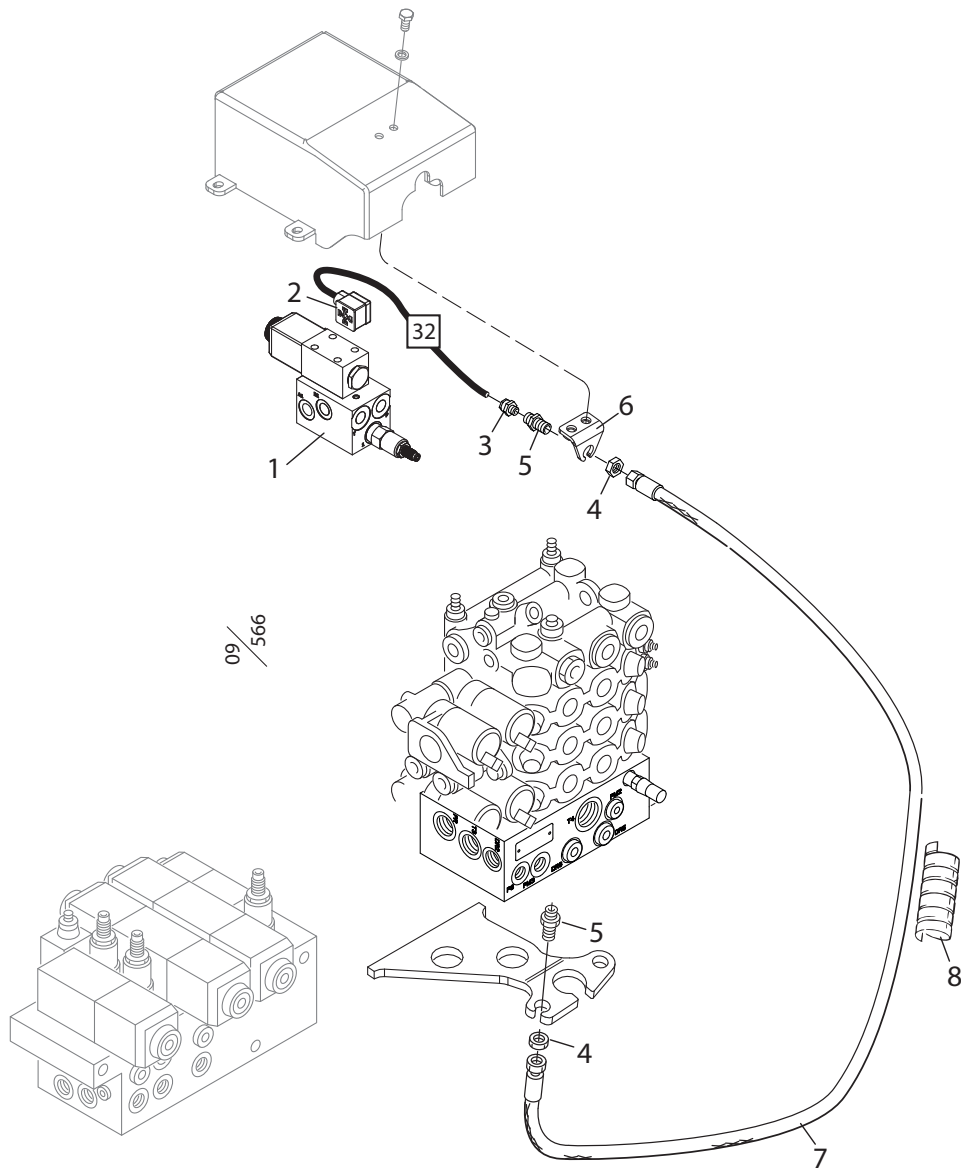
Structure				
Pos.	Part no.	Quantity	Description	Specification
34	500091	2	Screw	M6S M12x35 8.8 FZB
35	521007	2	Ring pin	LST Ø 8 mm
36	601102	14	Seal ring	3/8"
37	601032	7	Coupling	R 3/8" – R 3/8"
38	601061	3	Banjo bolt	R 3/8"
39	601033	2	Coupling	R 3/8" UF – R 1/2" UF
40	601103	2	Seal ring	1/2"
41	602051	1	Coupling	R 3/8" – R 3/8" UF – IF
42	501151	6	Screw	MC6S M16x250 12.9
43	502705	6	Nut	M16
44	601263	1	Test point	1/4"
45	643820	1	Hose 3820	
46	643821	1	Hose 3821	
47	643822	1	Hose 3822	
48	643823	1	Hose 3823	
49	643824	1	Hose 3824	
50	643825	1	Hose 3825	
51	507057	Req / Erf	Shim	26x40x0.5
	507057-1	Req / Erf	Shim	26x40x1.0
52	615049	2	Hose cover	3/4" 500 mm





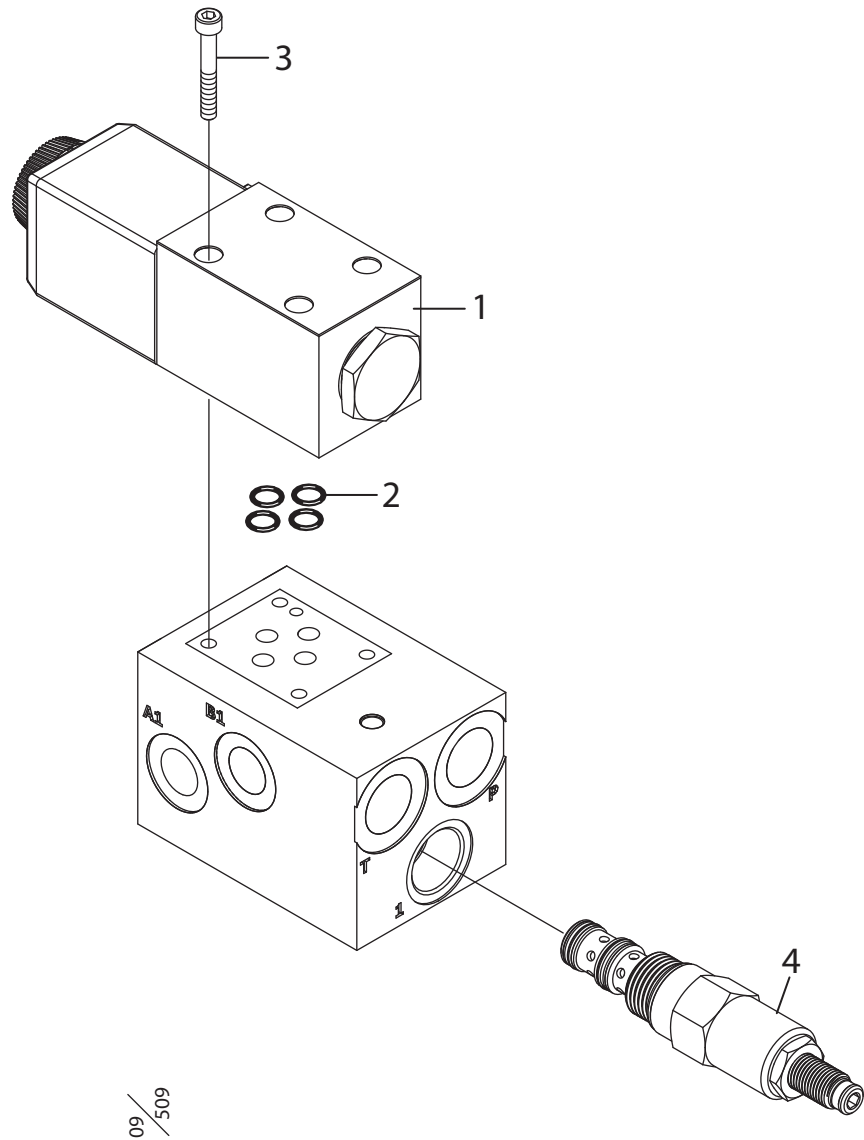
## Cylinder Ø50/32-192

Structure 017187				
Pos.	Part no.	Quantity	Description	Specification
1	013516-KIT	1	Rod kit	
2	620089	2	Seal kit	
3	517240	2	Circlip	SGH 47
4	510008	2	Spherical bushing	GE30 – ES



## Electrical system

Structure 043102				
Pos.	Part no.	Quantity	Description	Specification
1	017191	1	Manifold	
2	401232	1	Cable with connector	"32" Log Mate 500 Dasa Forester IT/PC & VU
	671168	1	Cable with connector	"32" Dasa4 / Cabswin
3	401770	1	Cable sleeve	PG 9
4	601249	2	Nut	3/8"
5	014287	2	Bulk head	R 3/8"
6	016666	1	Cable bracket	
7	643826	1	Hose 3826	
8	615050	1	Hose cover	1" 1500 mm

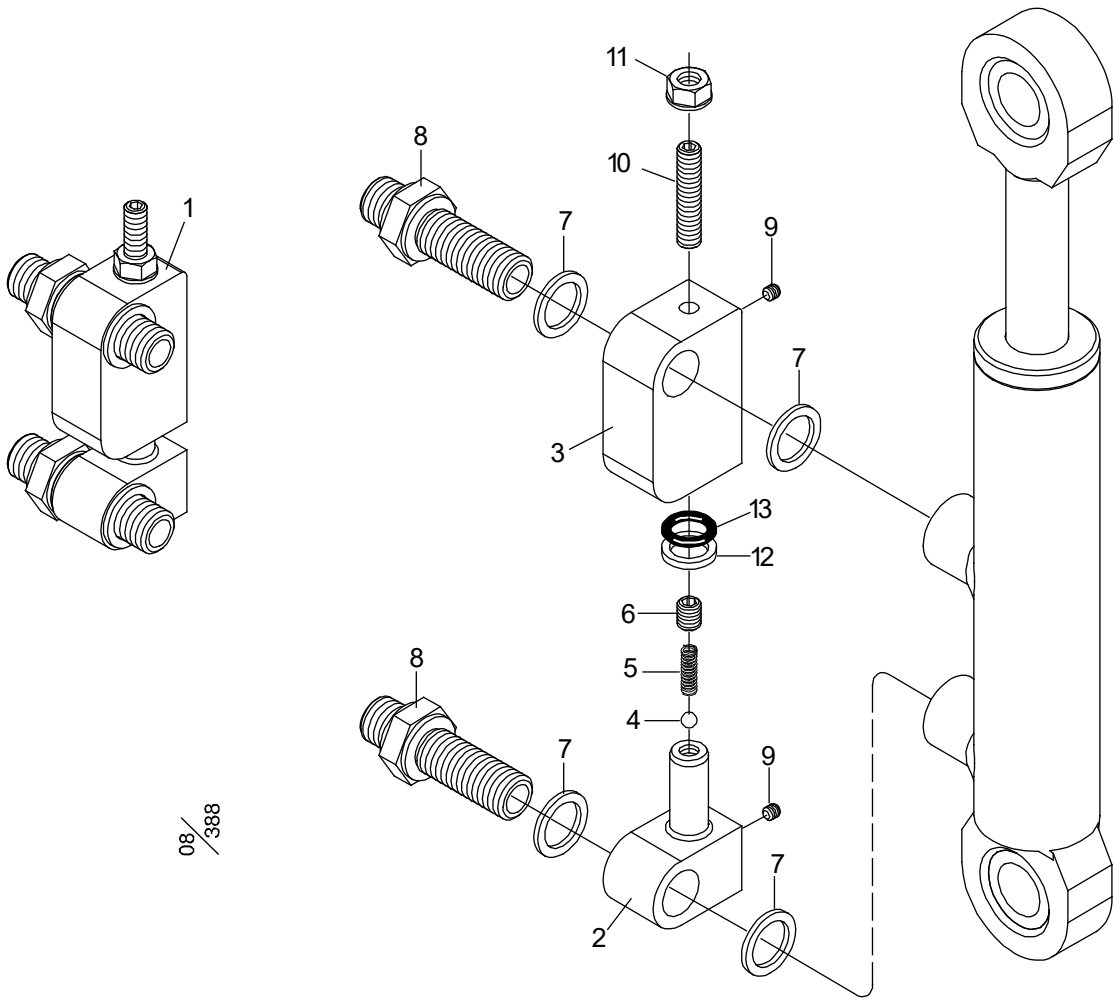


09 / 509

Log Max 6000B - Flertrådshantering - Ventil

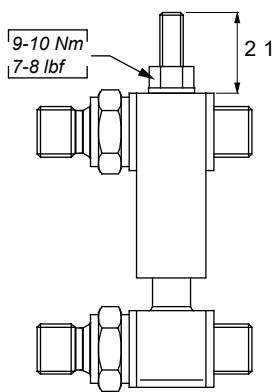
## Manifold

Structure 017191				
Pos.	Part no.	Quantity	Description	Specification
1	612055	1	Directional valve	24 V DG4V3
2	612125	1	O-ring	
3	501032	4	Screw	MC6S M5x35 12.9
4	619016	1	Pressure reducer	

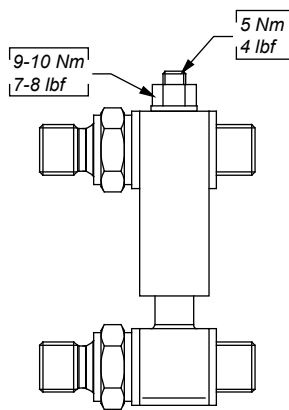


08/388

Vinter / Winter



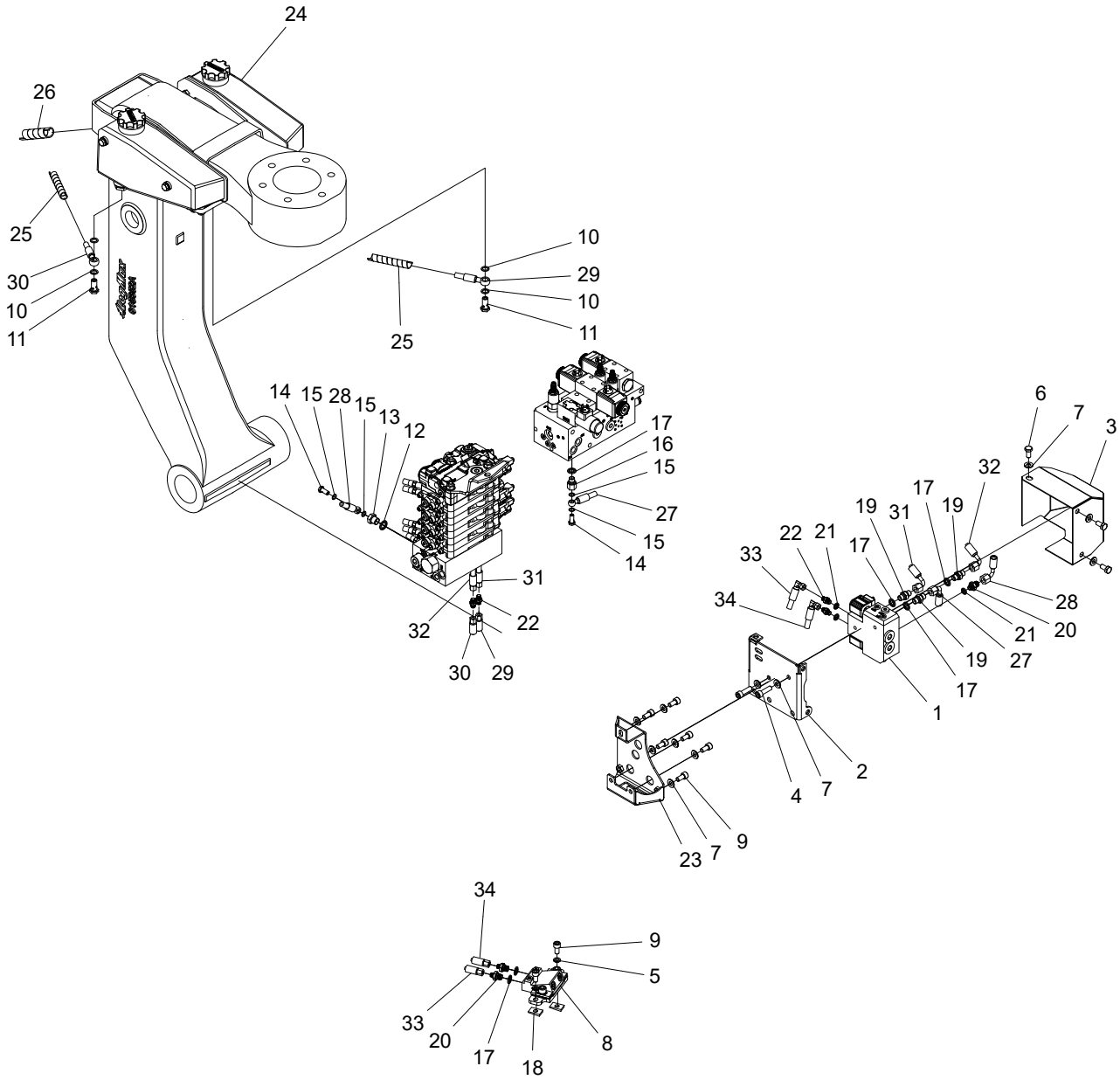
Sommar / Summer



Log Max 4000B, 5000D, 6000B, 6000Twin, 7000C, 7000Twin, 7000XT, E6

## Bypass valve

Structure 033619				
Pos.	Part no.	Quantity	Description	Specification
1	031070	1	Bypass valve cmpl.	
2	017342	1	Nipple	
3	017343	1	Seal retainer	
4	511003	1	Steel ball	RB – 4
5	526014	1	Spring	
6	013734	1	Orifice	Ø0.7
7	601101	4	Seal ring	1/4"
8	013691	2	Bulkhead	R 1/4"
9	519059	2	Expander plug	
10	513046	1	Screw	P6SS M6x30
11	519062	1	Nut	M6 Sealock
12	546005	1	Support ring	10 – 14
13	540066	1	O-ring	9.3x2.4
	642885	1	Hose 2885	
	642886	1	Hose 2886	



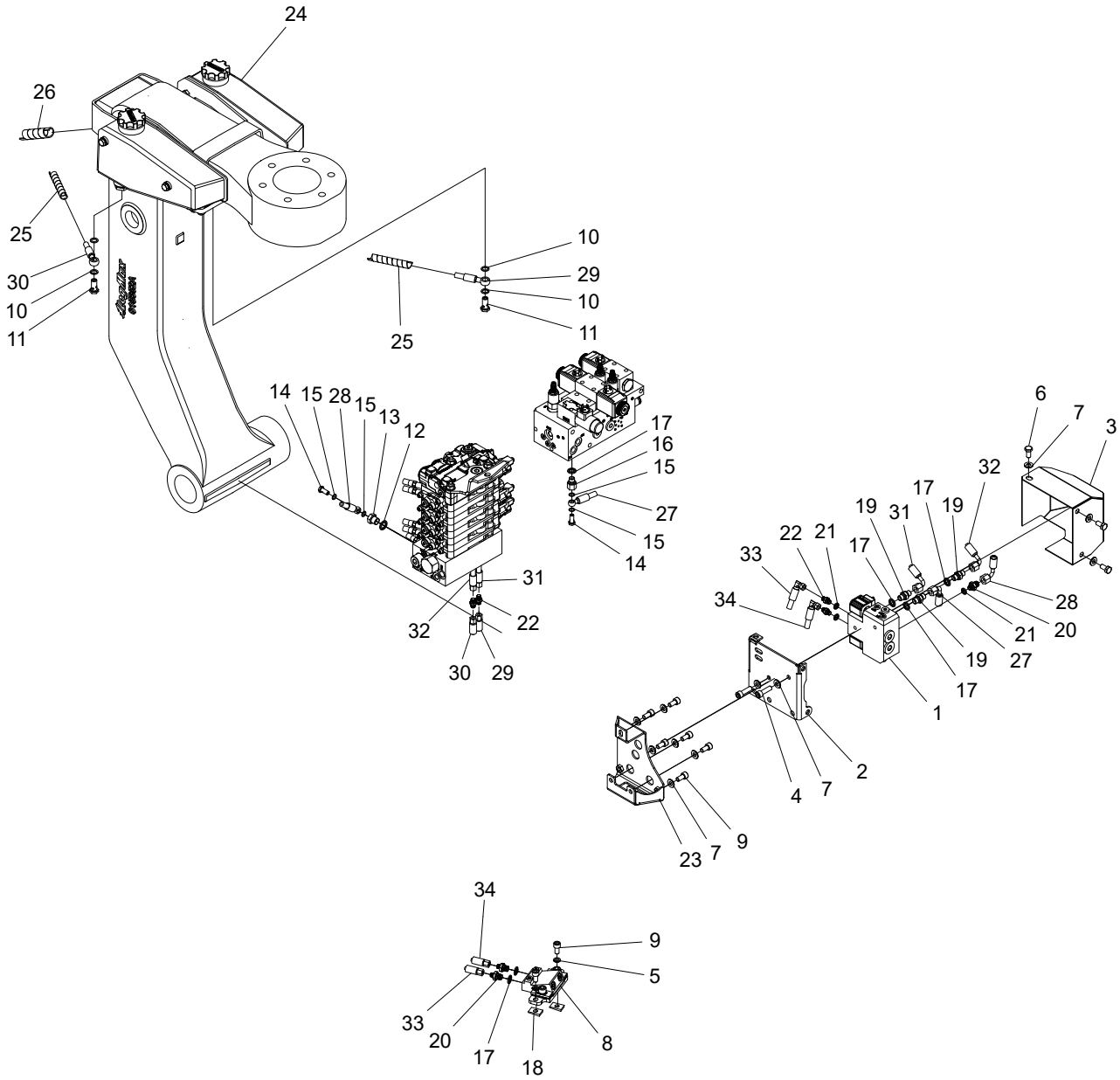
09/056

Log Max 6000Twin - Color marking equipment



## Color marking equipment

Structure 033634				
Pos.	Part no.	Quantity	Description	Specification
1	018531	1	Color pump	C2019
2	018335	1	Chassi	
3	017734	1	Cover	
4	501091	2	Screw	MC6S M10x35 12.9
5	503057	2	Washer	M10 Nordlock
6	500066	3	Screw	M6S M10x20 8.8 FZB
7	503075	11	Washer	M10 Nordlock Wide / Stor
8	609074	1	Color marking manifold	
9	501087	8	Screw	MC6S M10x20 12.9
10	601200	4	Cu-washer	13x19x1.5
11	601704	2	Banjo bolt	G 1/4"
12	601102	1	Seal ring	3/8"
13	602074	1	Coupling	BSP – 02 / BSP – 06 IF / UF
14	601701	2	Banjo bolt	G 1/8"
15	601203	4	Cu-washer	10x14x1.0
16	602086	1	Coupling	1/4" – 1/8" UF – IF
17	601101	6	Seal ring	1/4"
18	016295	2	Wedge	
19	601028	3	Coupling	R 1/4" UF – R 1/4" UF
20	601026	3	Coupling	R 1/8" UF – R 1/4" UF
21	601100	3	Seal ring	1/8"
22	601025	4	Coupling	R 1/8" UF – R 1/8" UF
23	018065	1	Bracket	
24	018434	1	Color tanks assembly	
25	615055	1	Hose cover	0.6 M
26	615049	1	Hose cover	1.9 M
27	646789	1	Hose 6789	
28	646790	1	Hose 6790	
29	646791	1	Hose 6791	
30	646792	1	Hose 6792	
31	646793	1	Hose 6793	
32	646794	1	Hose 6794	
33	646795	1	Hose 6795	

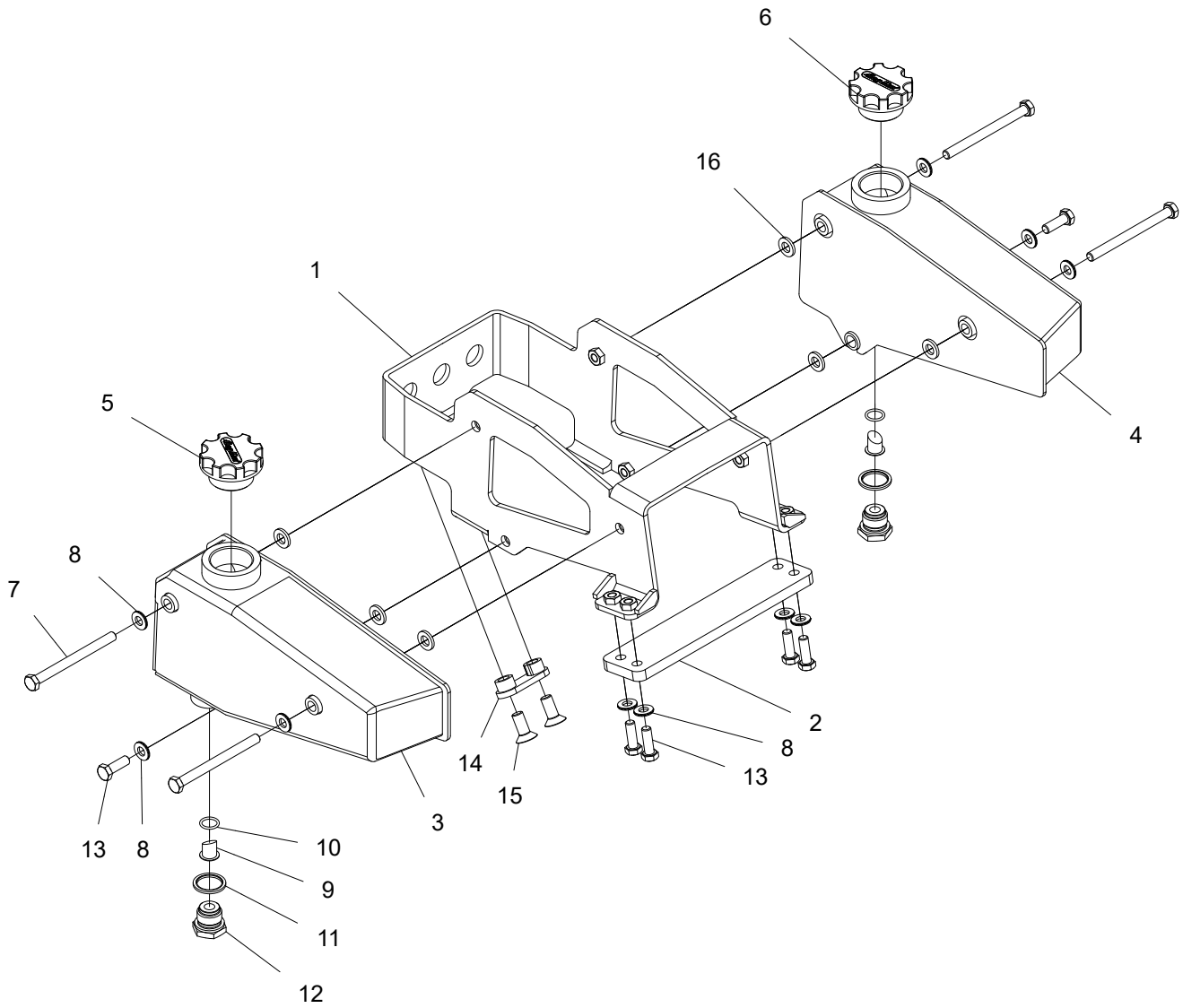


09/056

Log Max 6000Twin - Color marking equipment

---

Structure				
Pos.	Part no.	Quantity	Description	Specification
34	646796	1	Hose 6796	

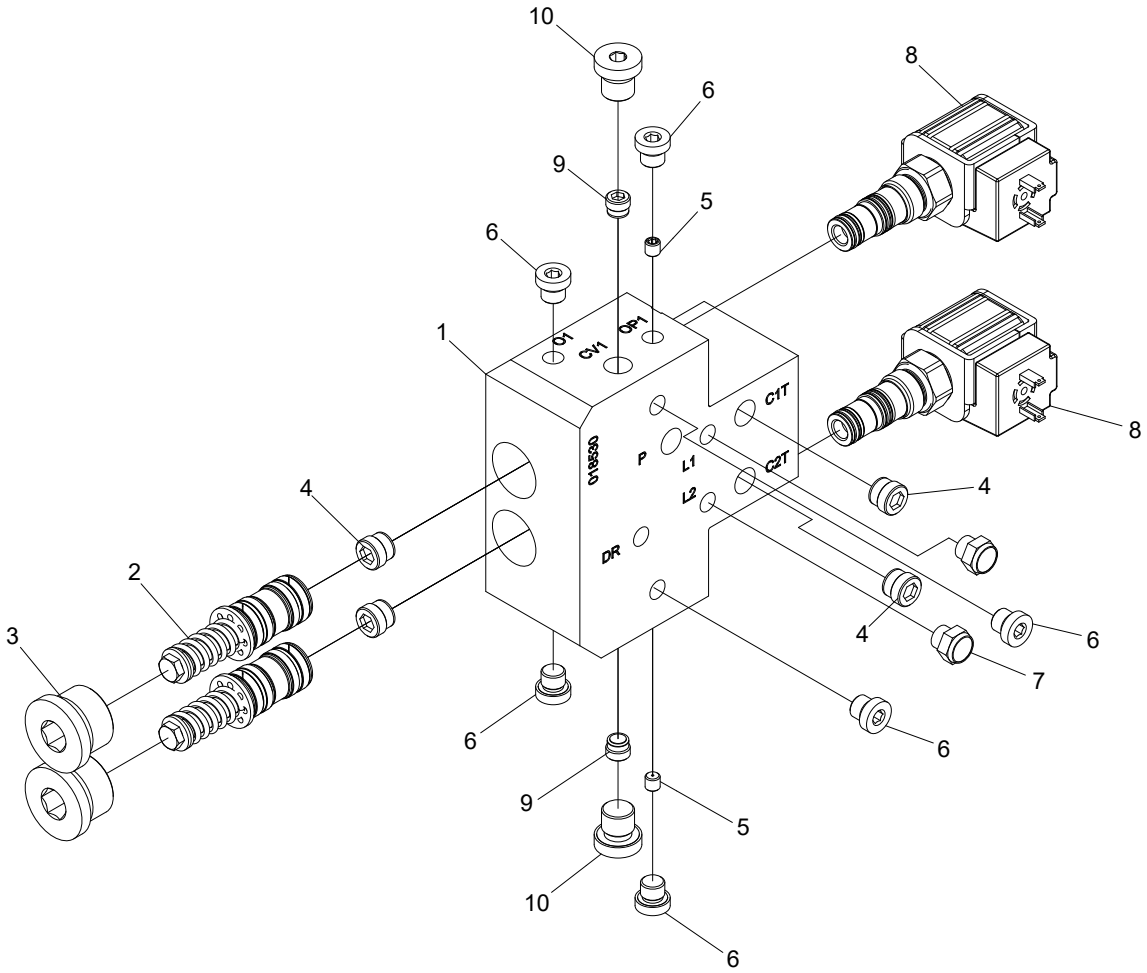


09/054

Log Max - Color tanks assembly

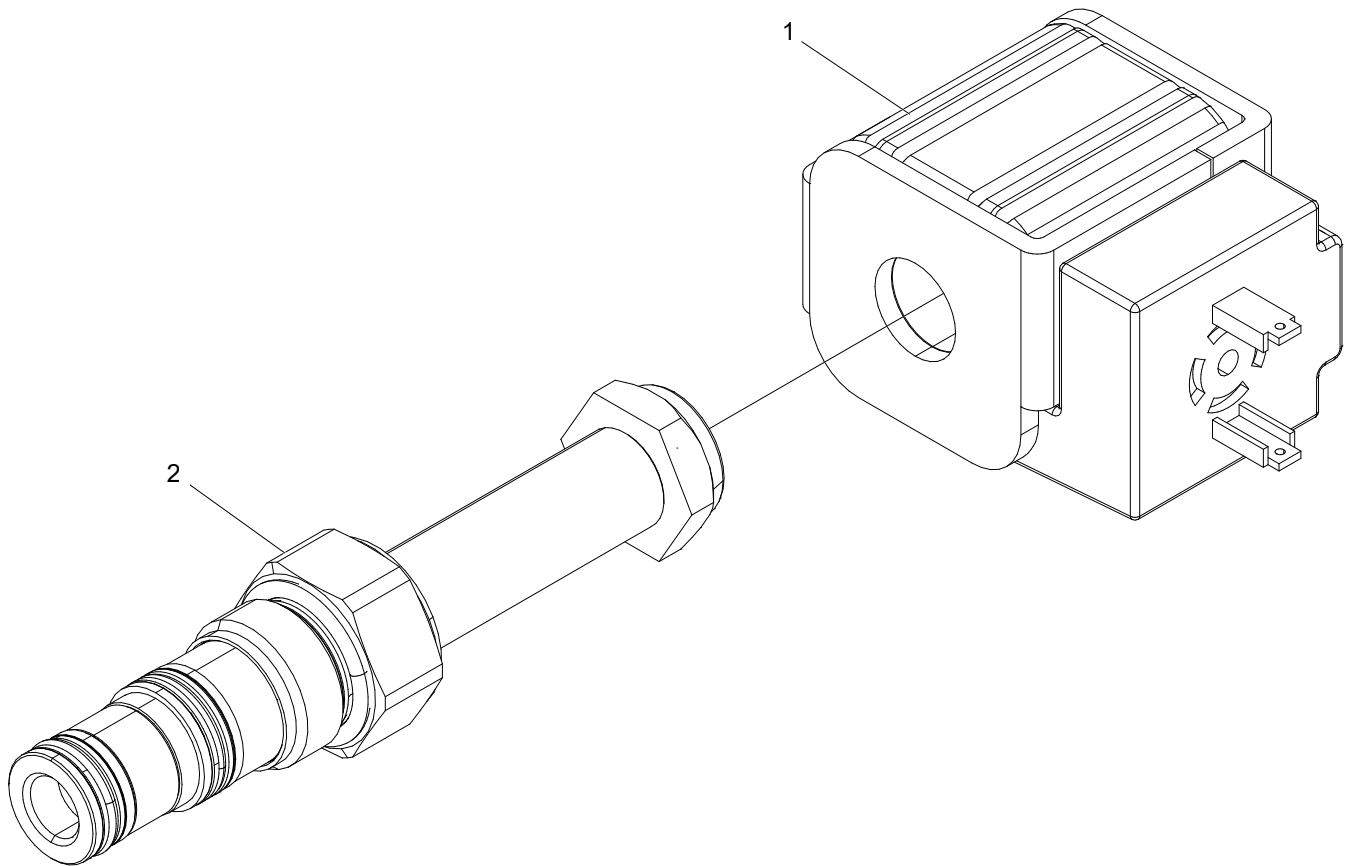
## Color tanks, assembly

Structure 018434				
Pos.	Part no.	Quantity	Description	Specification
1	016431	1	Bracket	
2	016444	1	Bracket	
3	015755	1	Color tank	Right / Höger
4	015754	1	Color tank	Left / Vänster
5	017327	1	Filling cap	Blue / Blå
6	017326	1	Filling cap	Red / Röd
7	500083	4	Screw	M6S M10x120 8.8 FZB
8	503075	10	Washer	M10 Nordlock Wide / Stor
9	620302	2	Filter	
10	543048	2	O-ring	16.3x2.4 Viton
11	601104	2	Seal ring	3/4"
12	015941	2	Coupling	G 3/4" – 1/4"
13	500069	6	Screw	M6S M10x30 8.8 FZB
14	014482	1	Clamp	
15	504066	2	Screw	MF6S M12x30 10.9
16	014117-3	6	Spacer	3 mm



## Color marking pump

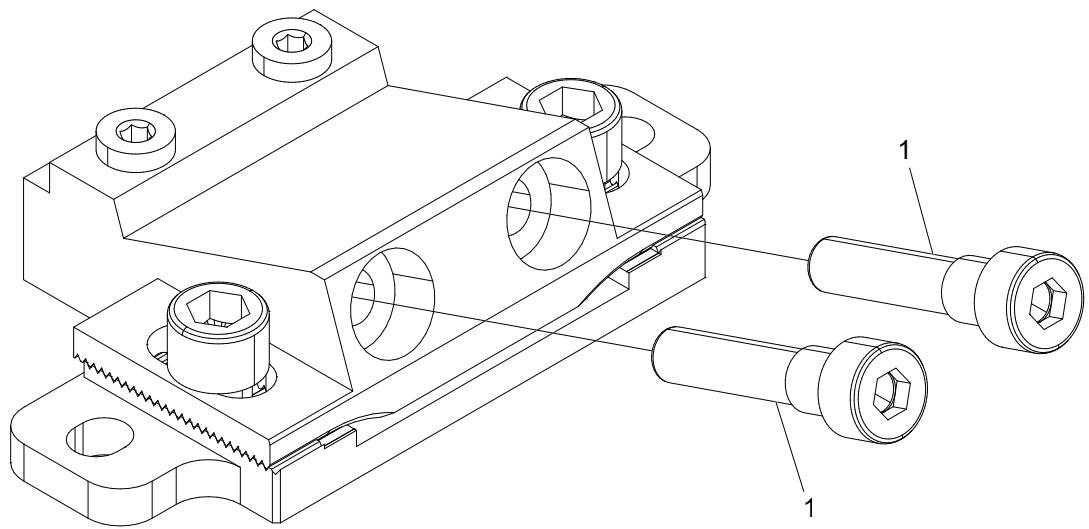
Structure 018531				
Pos.	Part no.	Quantity	Description	Specification
1	018530	1	Pump housing	
2	018331	2	Piston assembly	
3	601004	2	Hex plug	3/4" R
4	617024	4	Check valve	
5	613014	2	Orifice	M6 – 1.0 mm
6	601000	6	Hex plug	1/8" R
7	602317	2	Filter plug	G 1/8
8	612097	2	Directional valve	
9	617049	2	Check valve	
10	601001	2	Hex plug	1/4" R





## Valve

Structure 612097				
Pos.	Part no.	Quantity	Description	Specification
1	612094	1	Solenoid	
2	612106	1	Directional valve	



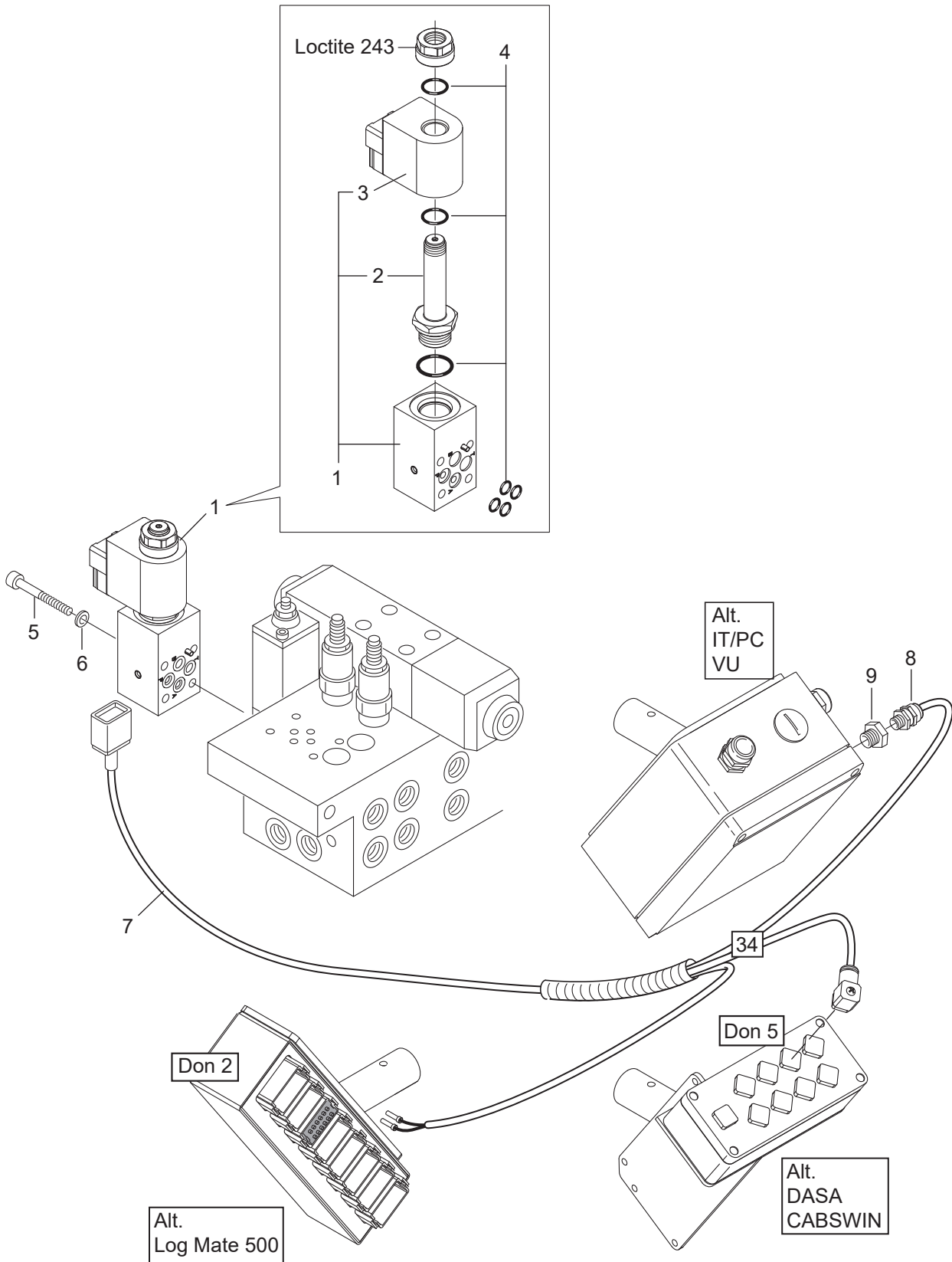
09/057

Color marking manifold

---

## Color marking manifold

Structure 609074				
Pos.	Part no.	Quantity	Description	Specification
1	609076	2	Nozzle	

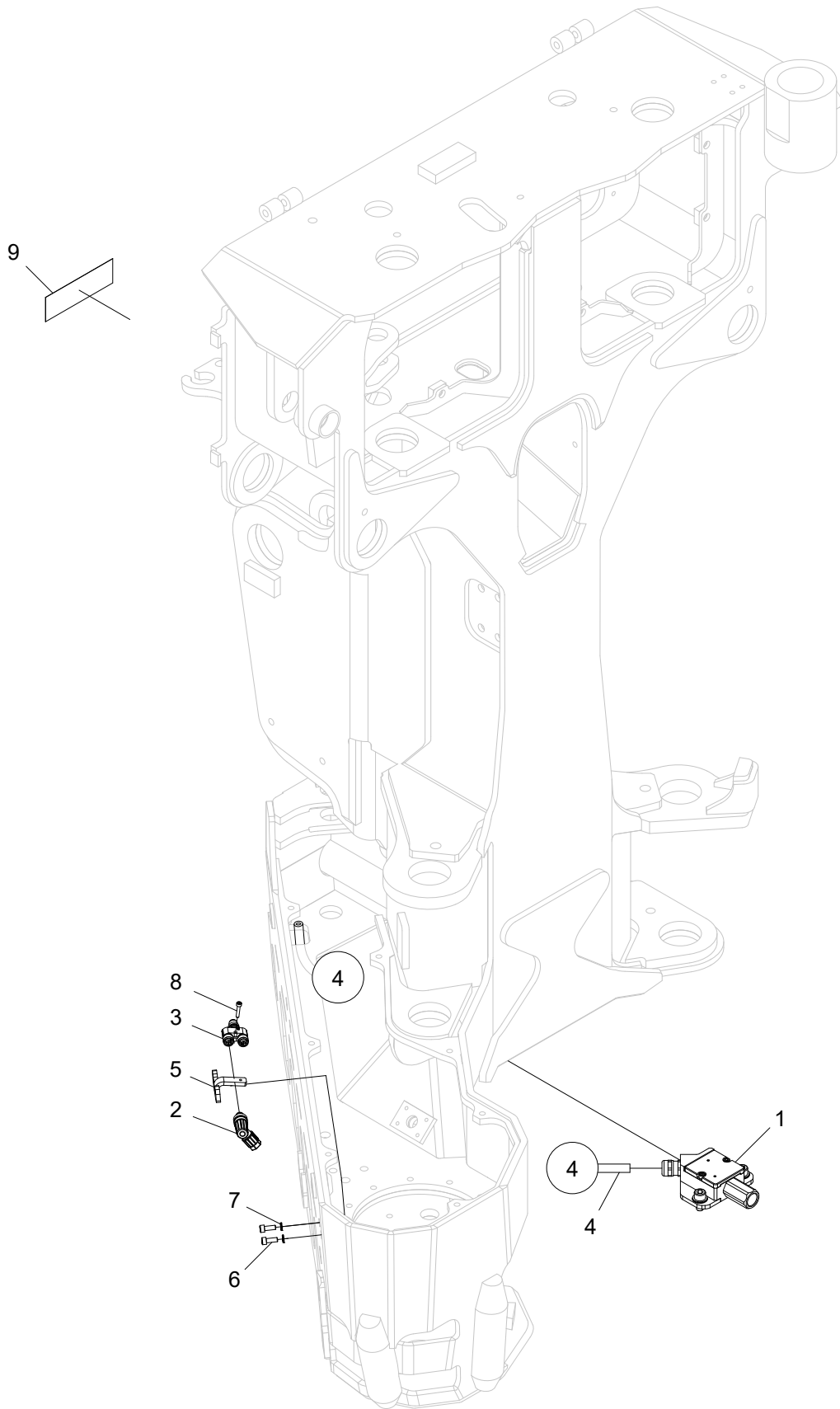


09 / 554

Log Max - Alla

## Electrical controlled measuring wheel

Structure 045052, 045053, 045054, 045059				
Pos.	Part no.	Quantity	Description	Specification
11	612090	1	Manifold compl.	
2	612091	1	Valve	
3	612092	1	Solenoid	24 V
4	612095	1	Seal kit	
5	501038	4	Screw	MC6S M5x65 12.9
6	503066	4	Washer	M5 Nordlock
7	671311	1	Cable	"34" Log Mate 500
	671309	1	Cable	"34" Dasa4/Cabswin
	671312	1	Cable	"34" Dasa Forester
	671308	1	Cable	"34" IT/PC & VU
8	401770	1	Cable sleeve	PG 9
9	401769		Reductor	PG 16 – PG 9

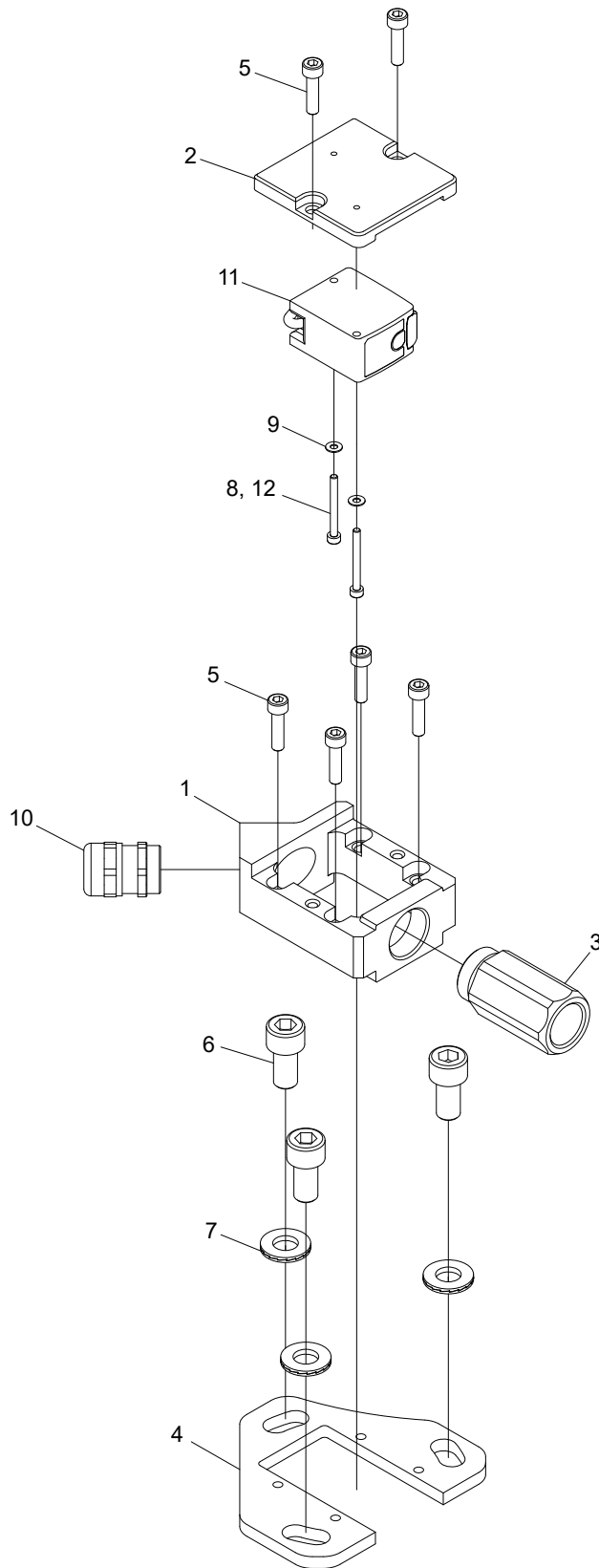


09/068

Log Max 6000Twin - Find End

## Find End, Laser

Structure 046030				
Pos.	Part no.	Quantity	Description	Specification
1	018676	1	Find End assembly	
2	402315	1	Cable housing	
3	402314	1	Connector	
4	646807	1	Hose	
5	017370	1	Bracket	
6	501045	2	Screw	M6x16 12.9
7	503065	2	Washer	M6 NL
8	501016	1	Screw	M4x20 12.9
9	519192	1	Decal	Warning! Laser / Varning! Laser



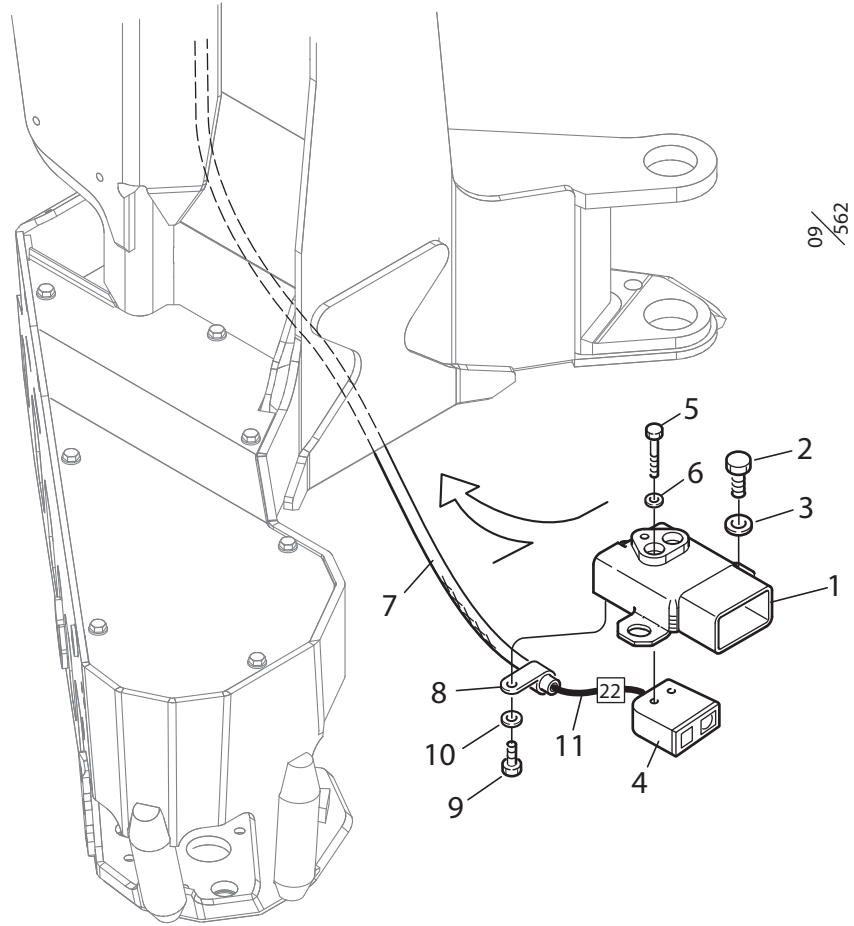
09/060

Log Max - Find End



## Find End assembly

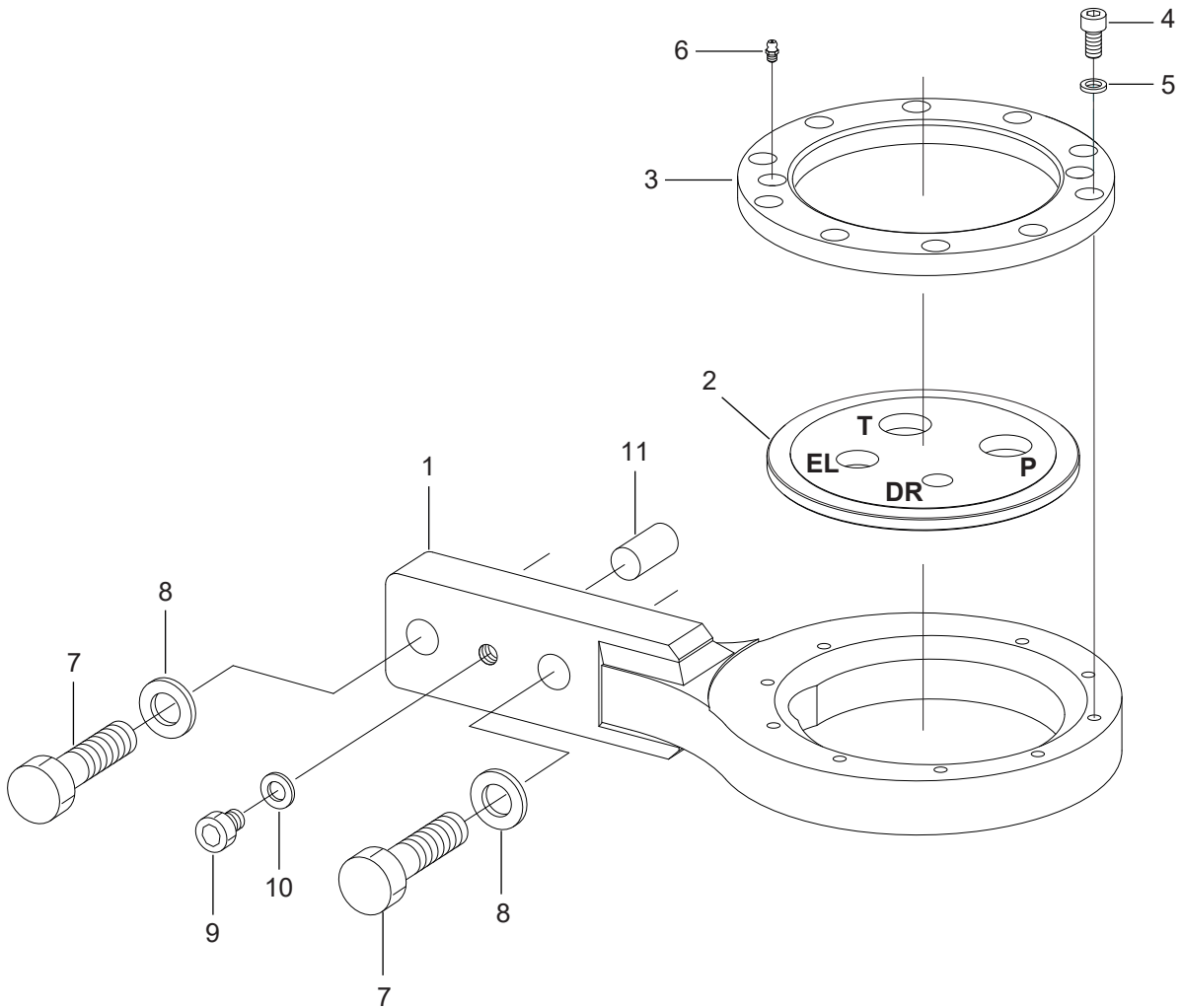
Structure 018676				
Pos.	Part no.	Quantity	Description	Specification
1	018670	1	Cover	
2	018671	1	Cover	
3	018679	1	Cover	
4	018673	1	Bracket	
5	501029	6	Screw	M5x20 12.9
6	501087	3	Screw	M10x20 12.9
7	503075	3	Washer	M10 NL sp
8	501004	2	Screw	M3x30 12.9
9	503001	2	Washer	BRB FZB 3.2x6x0.5
10	401152	1	Cable sleeve	M20x1.5
11	401320	1	Laser sensor	
12		2	Loctite 243	



Log Max 4000B/ 5000D/ 6000B/ 7000C/ E6/ 6000Twin - Find End

## Find End, Photocell

Structure 033683-500, 033683				
Pos.	Part no.	Quantity	Description	Specification
1	013927	1	Bracket	
2	500065	3	Screw	M6S M10x16 8.8 FZB
3	503057	3	Washer	M10 Nordlock
4	401860	1	Photocell	
5	500005	2	Screw	M6S M4x20 8.8 FZB
6	503067	2	Washer	M4 Nordlock
7	615071	1	Hose	L=630 mm
8	622050	1	Clamp	Ø 12 mm
9	500022	1	Screw	M6S M6x14 8.8 FZB
10	503065	1	Washer	M6 Nordlock
11		1	Cable	"22"

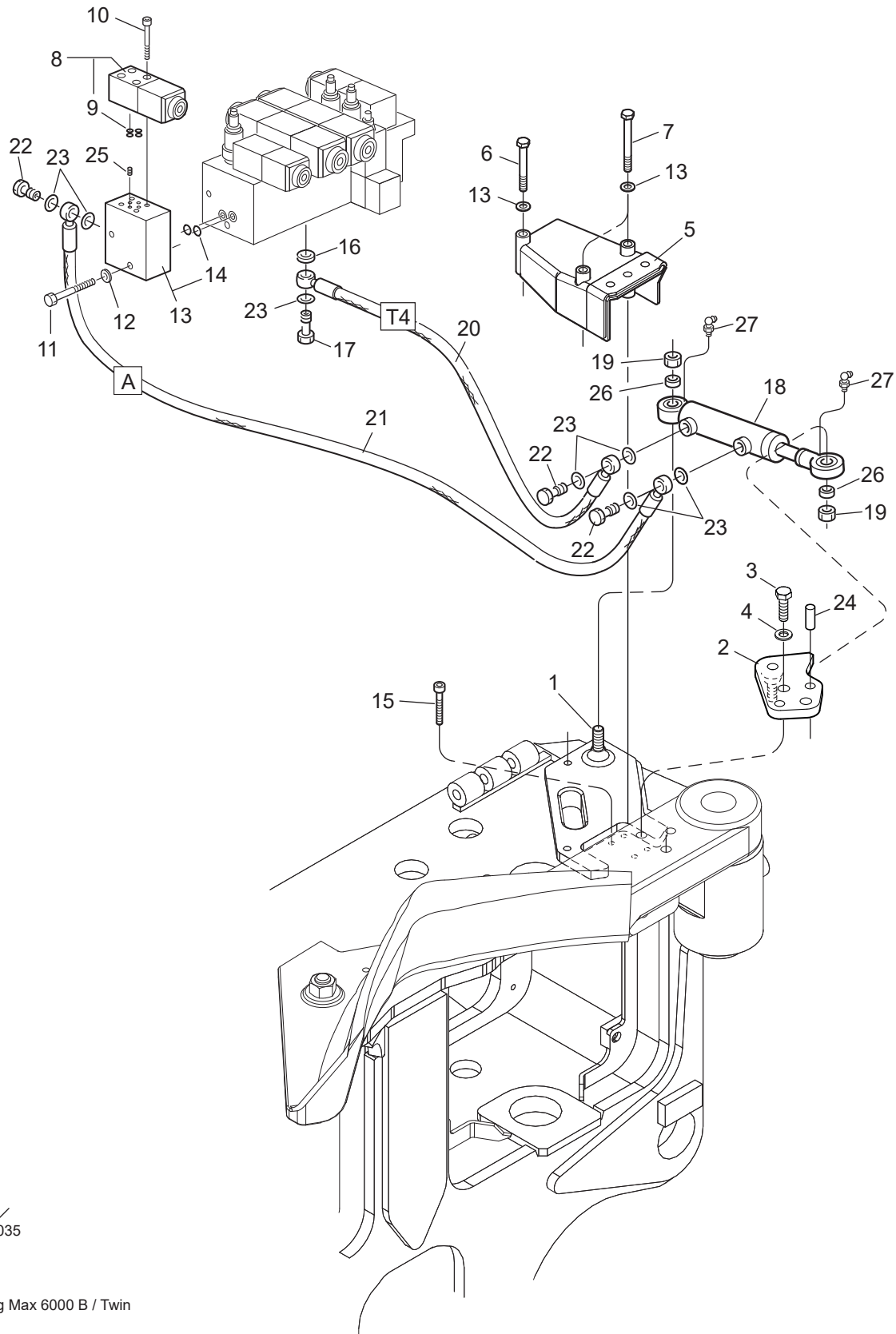


09/058

Log Max - Hose holder

## Hose holder

Structure 043388				
Pos.	Part no.	Quantity	Description	Specification
1	017046	1	Arm	
2	014987	1	Adapter plate	
3	014986	1	Locking plate	
4	501087	10	Screw	MC6S M10x20 12.9
5	503057	10	Washer	M10 Nordlock
6	625004	2	Grease nipple	M6
7	505058	2	Screw	M6S M24x70 10.9 H.G.
8	503072	2	Washer	M24 Nordlock
9	500134	1	Screw	M6S M16x14 8.8 FZB
10	503063	1	Washer	M16 Nordlock
11	515030	1	Cylinder pin	25x45

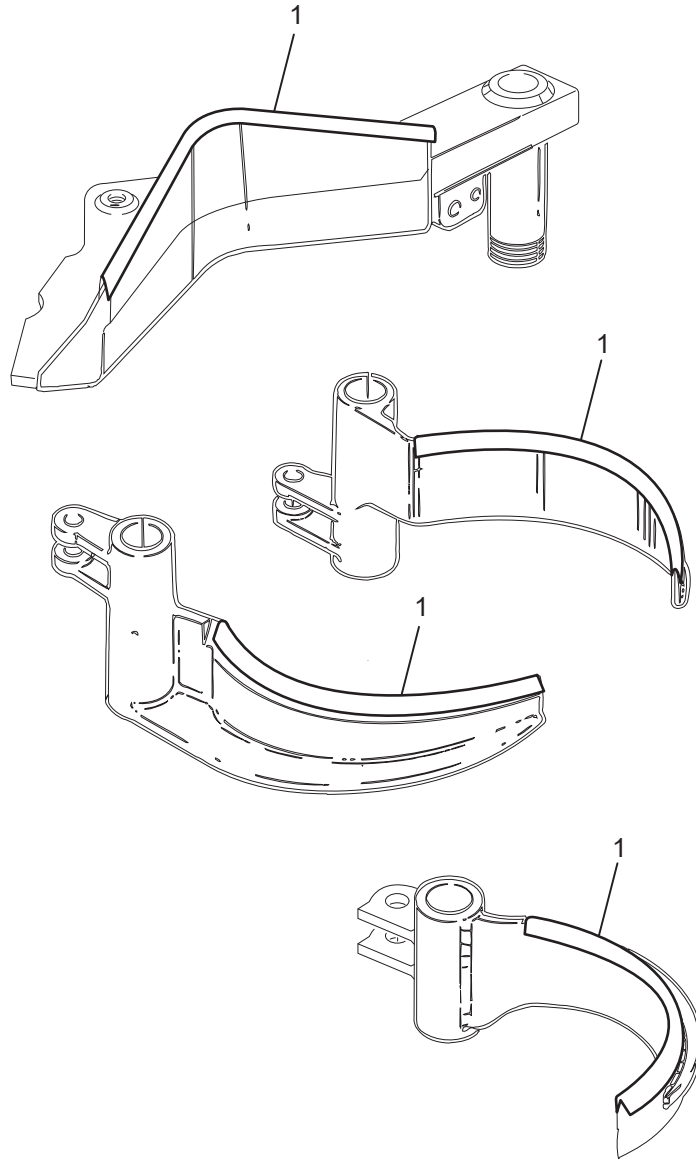


09 / 035

Log Max 6000 B / Twin

## Hydraulic upper knife

Structure 033638				
Pos.	Part no.	Quantity	Description	Specification
1	010846	1	Pin	L=48 mm
2	013431	1	Bracket	
3	500090	2	Screw	M6S M12x25 8.8 FZB
4	503060	2	Washer	M12 Nordlock
5	016869	1	Cylinder cover	
6	500079	1	Screw	M6S M10x80 8.8 FZB
7	500081	2	Screw	M6S M10x100 8.8 FZB
8	612057	1	Directional valve	24 V
9	540037	4	O-ring	7.65x1.68
10	501033	4	Screw	MC6S M5x40 12.9
11	500074	2	Screw	M6S M10x55 8.8 FZB
12	503057	5	Washer	M10 Nordlock
13	013865	1	Manifold	
14	619057	2	O-ring	12.42x1.78
15	500025	4	Screw	M6S M6x25 8.8 FZB
16	602114	1	Seal ring	1/4"
17	601068	1	Banjo bolt	R 1/4"
18	015462	1	Hydraulic cylinder	Ø 25/16 – 45
19	502056	2	Nut	M12 Locking Low / Låg
20	646797	1	Hose 6797	
21	649798	1	Hose 6798	
22	601060	3	Banjo bolt	R 1/4"
23	601200	7	Cu-washer	13x19x1.5
24	515011	2	Cylinder pin	12x30
25	613031	1	Orifice	M5 – 1.0
26	010170	2	Spacer	
27	625005	2	Grease nipple	M6 – 90°

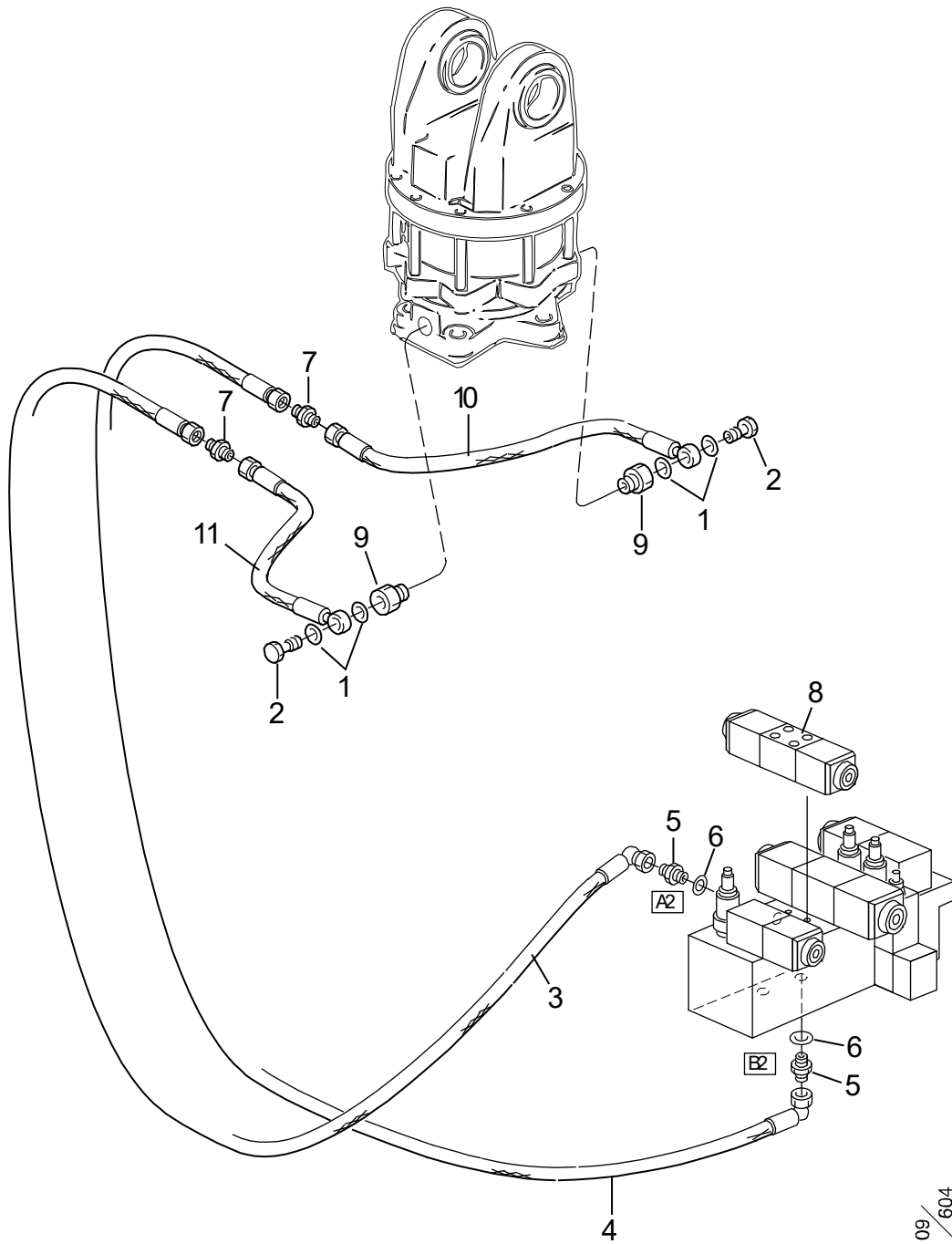


09 /  
041



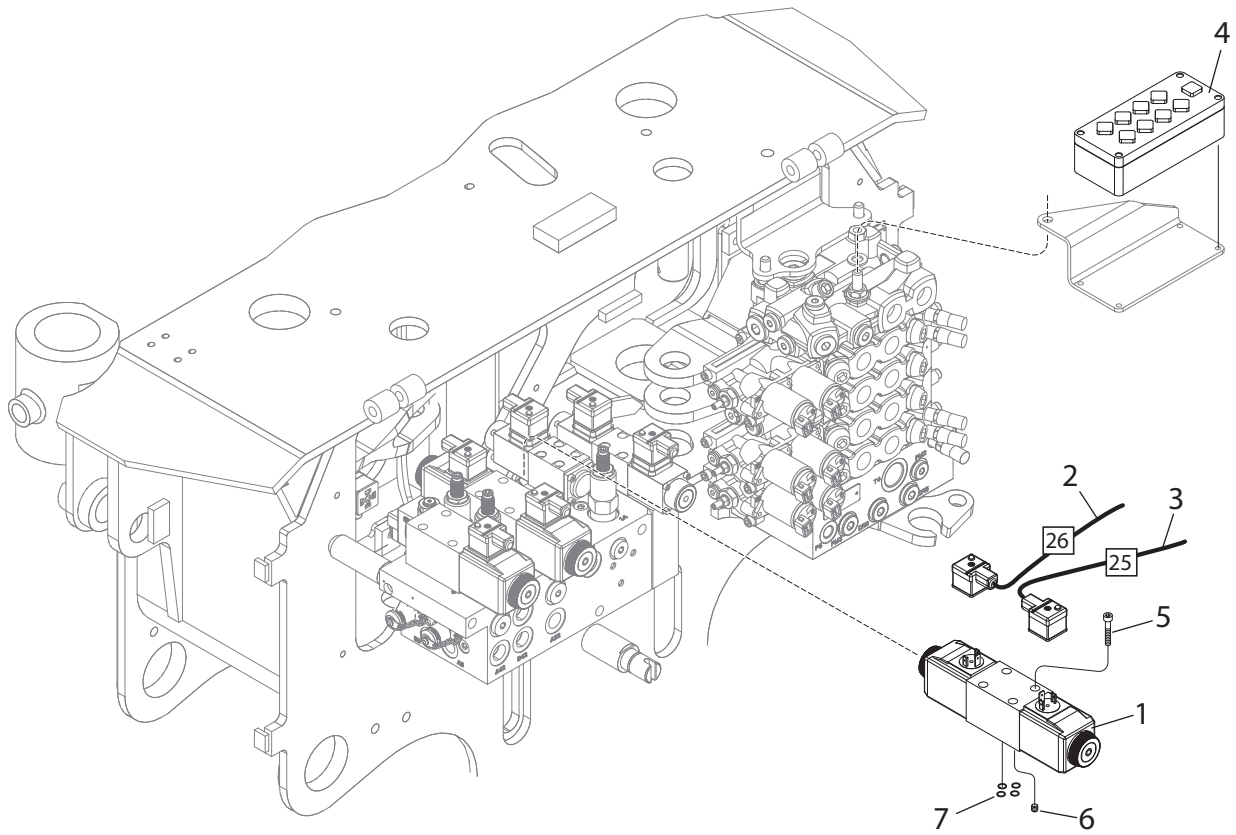
## Knife edge protection

Structure 519010				
Pos.	Part no.	Quantity	Description	Specification
1	519010	1	Knife edge protection	L= 5 m



## Rotator control, valve

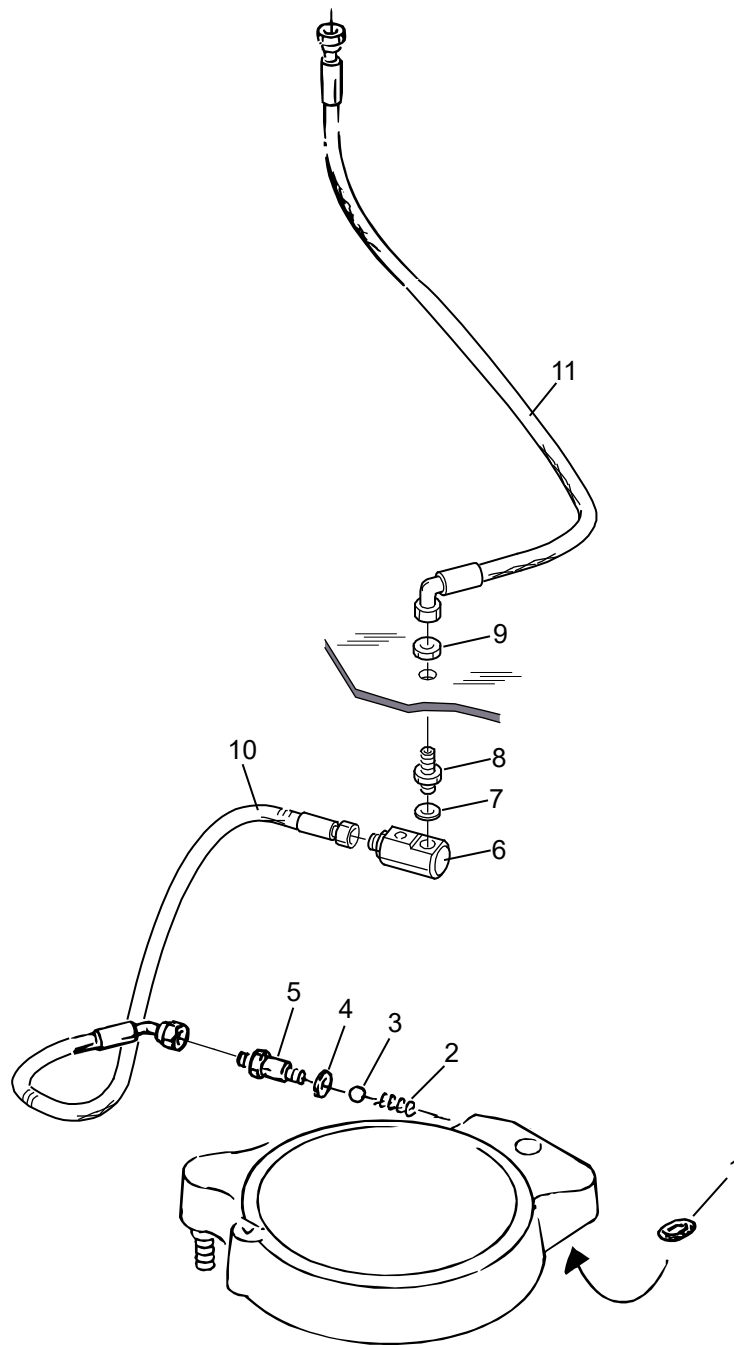
Structure 046026, 046027				
Pos.	Part no.	Quantity	Description	Specification
1	601200	4	Cu-washer	13x19x1.5
2	601060	2	Banjo bolt	R 1/4"
3	646776	1	Hose 6776	
4	646777	1	Hose 6777	
5	601029	2	Coupling	R 1/4" UF – R 3/8" UF
6	601102	2	Seal ring	3/8"
7	601028	2	Coupling	R 1/4" UF – R 1/4" UF
8	010278	1	Directional valve	24 V On – Off
	612029	1	Directional valve	24 V Proportional / Proportionell
9	602059	2	Coupling	R 1/2" – R 1/4" UF – IF
10	646779	1	Hose 6779	
11	646778	1	Hose 6778	



09 / 564

## Electrical system

Structure 046027, 046026				
Pos.	Part no.	Quantity	Description	Specification
1	010278	1	Directional valve	24 V On – Off
	612029	1	Directional valve	24 V Proportional / Proportionell
2	401232	1	Cable	"26", Log Mate 500, Dasa Forester, Dasa4/Cabswin, IT/PC & VU
3	401232	1	Cable	"25", Log Mate 500, Dasa Forester, Dasa4/Cabswin IT/PC & VU
4	7009846	1	Box	Dasa4 / Cabswin Green / Grön
5	501031	4	Screw	MC6S M5x30 12.9
6	613017	1	Orifice	Only for/ Endast för On/Off – Valve & IT/PC
7	540038	4	O-ring	9.25x1.78

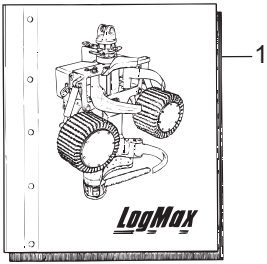


09 /  
386

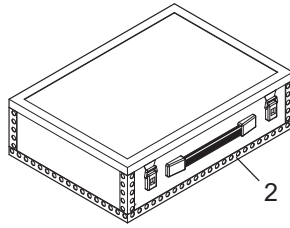
Log Max 4000/5000/6000/7000 - Urea

## Stump treatment

Structure 033621				
Pos.	Part no.	Quantity	Description	Specification
1	540018	1	O-ring	Ø 25.1x1.6
2	526015	1	Spring	
3	511004	1	Ball	Ø 10 mm
4	546004	1	Seal ring	1/4"
5	012612	1	Coupling	
6	016727	1	Svivel	1/4"
7	601101	1	Seal ring	1/4"
8	601210	1	Bulkhead	R 1/4" UF
9	601253	1	Nut	R 1/4"
10	646799	1	Hose 6799	
11	646780	1	Hose 6780	



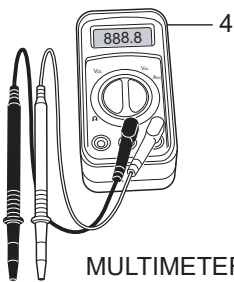
1  
MANUAL & PARTS LIST  
INSTRUKTION & RESERVDLSKATALOG



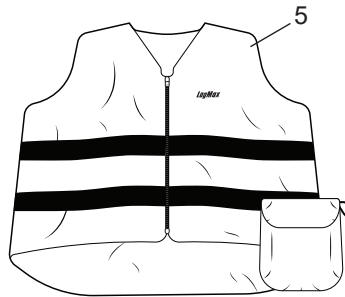
2  
TOOL BOX  
VERKTYGSLÅDA



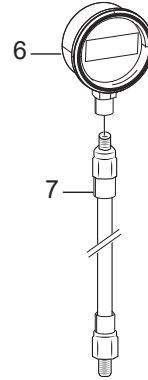
3  
FIRST AID KIT  
FÖRSTA HJÄLPEN KUDDE



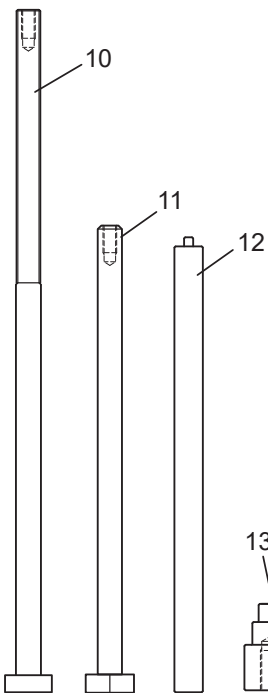
4  
MULTIMETER



5  
SAFETY VEST  
SÄKERHETSVÄST



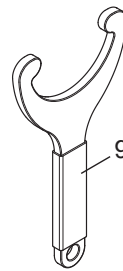
6  
7  
DIGITAL PRESSURE GAUGE  
DIGITAL MANOMETER



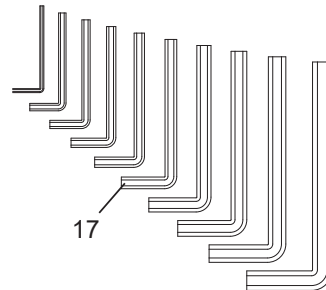
10  
11  
12  
13  
14  
15  
16  
MOUNTING- / DISMOUNT DEVICE  
MONTERING- / DEMONTERINGSDON



8  
TEMPLATE - KNIFE-EGG  
MALL - KNIVEGG



9  
ASSEMBLY TOOL - FILLER CAP  
MONTERINGSVERKTYG - TANKLOCK



17  
HEX KEY KIT  
INSEXNYCKELSATS

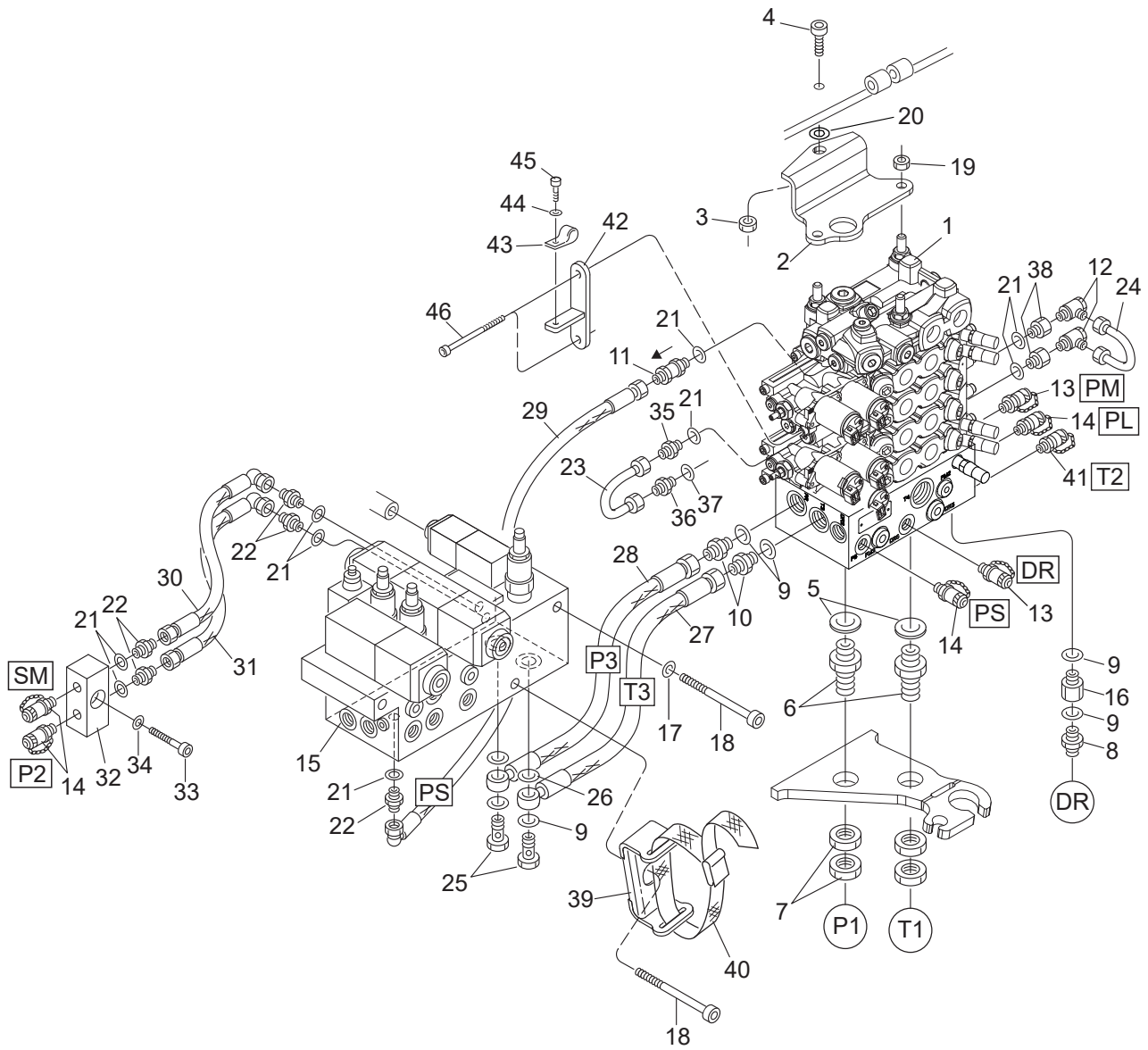


## Tool set

Structure 032303				
Pos.	Part no.	Quantity	Description	Specification
1	044299	1	Spare parts manual	
2	522715	1	Tool box	
3	522505	1	First Aid Kit	
4	402804	1	Multimeter	
5	522506-LXL	2	Safety vest	Size L – XL / Storlek L – XL
6	623053	1	Pressure gauge	0-400 bar
7	623020	1	Hose	L=2000 mm
8	015662	1	Template knife edge	
9	016537	1	Assembly tool filler cap	
10	014246	1	Rod cmpl.	L=600 mm
11	014709	1	Rod cmpl	L=409 mm
12	014247	1	Assembly tool	L=400 mm
13	014495	1	Assembly tool	
14	011069	2	Bolt	3/8
15	010489	1	Hammer	
16	014499	1	Assembly tool	L=200 mm
17	522227	1	Hex Key Kit	1.5 – 10 mm



# Hydraulic system

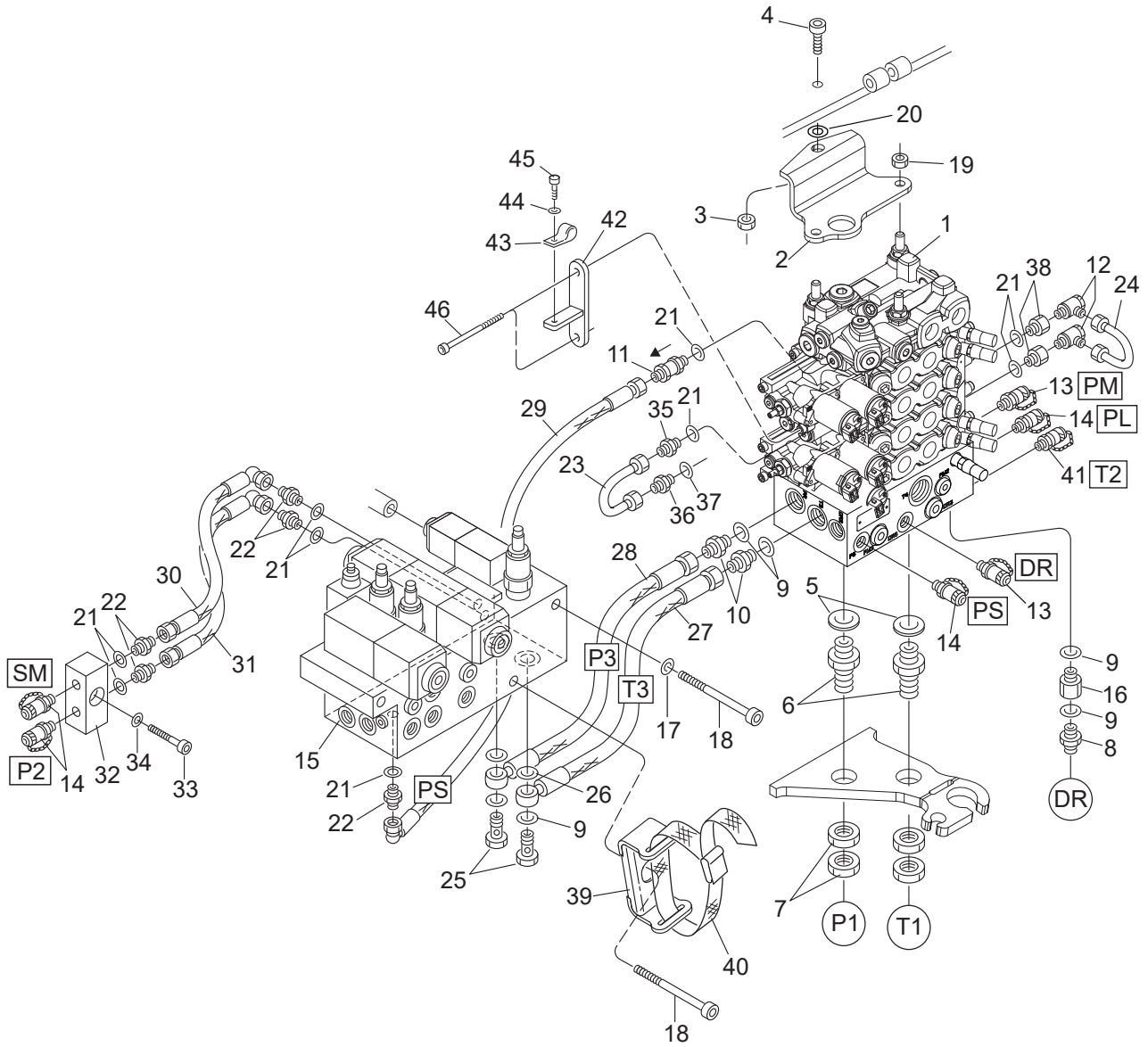


07 /  
063

Log Max 6000B/ 6000 Twin

## Interconnection of main manifolds

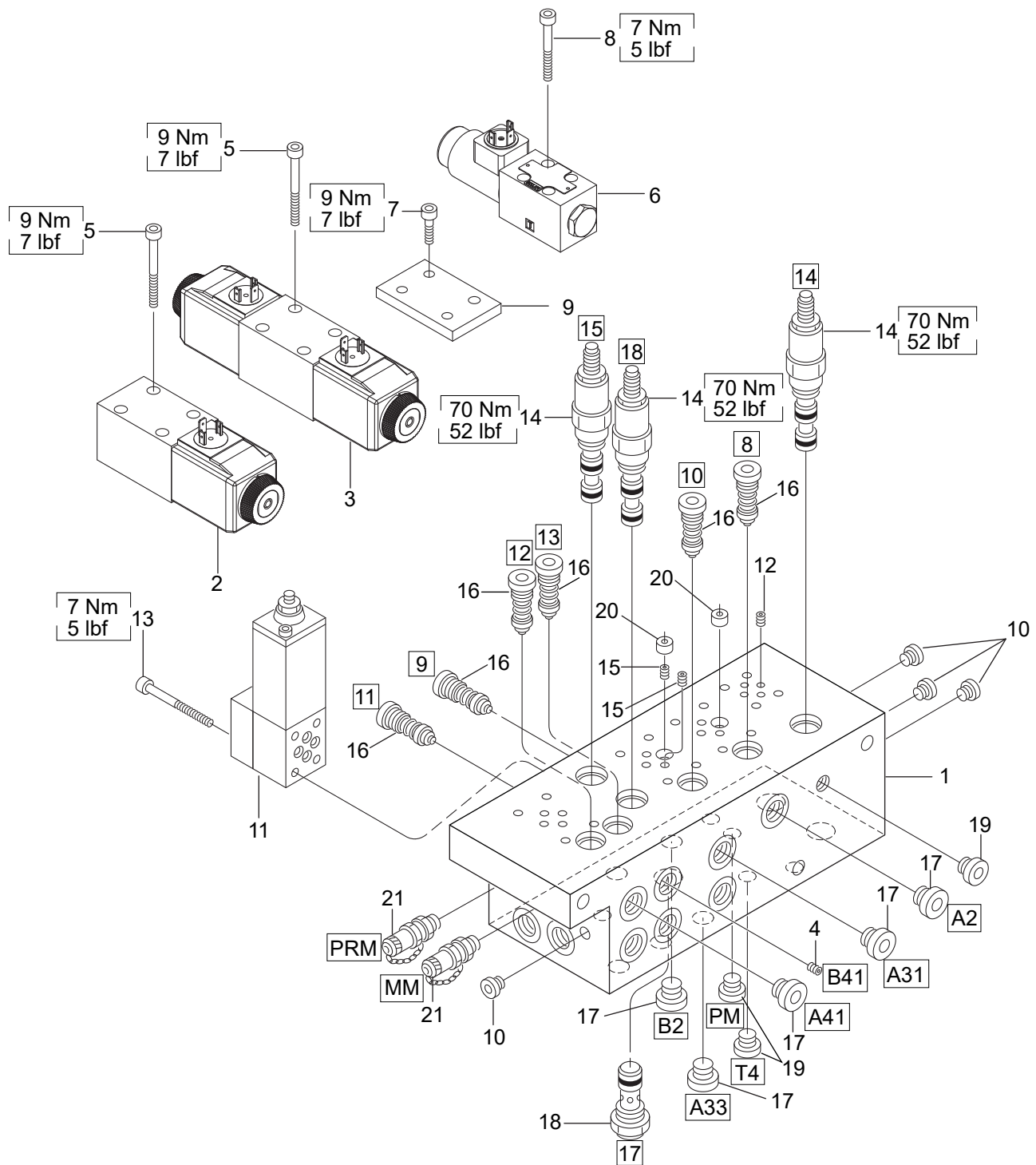
Structure 006421, 006422, 033523				
Pos.	Part no.	Quantity	Description	Specification
1	614025-01	1	Manifold cmpl.	Right / Höger
2	013139	1	Bracket	
3	502056	1	Nut	M12 Locking Low / Låg
4	501109	1	Screw	MC6S M12x30 12.9
5	601105	2	Seal ring	1"
6	011175	2	Bulkhead	G 1" – G 1"
	011176	(2)	Bulkhead	R 1" – JIC 1 5/16"
7	011206	4	Nut	R 1"
	011178	(4)	Nut	JIC 1 – 5/16"
8	601036	1	Coupling	R 1/2" UF – R 1/2" UF
	608005	(1)	Coupling	BSP – 08 / JIC 10
9	601103	6	Seal ring	1/2"
10	601036	2	Coupling	R 1/2" UF – R 1/2" UF
11	617009	1	Check valve	R 1/4"
12	602075	2	Banjo cmpl.	R 1/8" – 6L
13	601262	2	Test point	3/8"
14	601261	3	Test point	1/4"
15	015248	1	Manifold cmpl.	Left / Vänster
16	013805	1	Coupling	1/2" IF – 1/2" UF
17	503057	2	Washer	M10 Nordlock
18	501104	3	Screw	MC6S M10x140 12.9
19	502055	2	Nut	M10 Locking Low / Låg
20	503009	Req / Erf	Washer	BRB FZB 12x22x2.0
21	601101	9	Seal ring	1/4"
22	601028	5	Coupling	R 1/4" UF – R 1/4" UF
23	013830	1	Tube cmpl.	
24	014193	1	Tube cmpl.	
25	601062	2	Banjo bolt	R 1/2"
26	602113	2	Seal ring	1/2"
27	646739	1	Hose 6739	
28	646738	1	Hose 6738	
29	646769	1	Hose 6769	
30	646751	1	Hose 6751	SM



07 /  
063

Log Max 6000B/ 6000 Twin

Structure				
Pos.	Part no.	Quantity	Description	Specification
31	646752	1	Hose 6752	P2
32	013835	1	Manifold	
33	501072	1	Screw	MC6S M8x35 12.9
34	503055	1	Washer	M8 Nordlock
35	602060	1	Coupling	R 1/4" – 6L
36	602061	1	Coupling	R 1/8" – 6L – R
37	601100	1	Seal ring	1/8"
38	602086	2	Coupling	1/4" – 1/8" UF – IF
39	016072	1	Hose clamp	
40	626001	1	Strap	
41	601260	1	Test point	1/8"
42	014221	1	Bracket	
43	622061	1	Clamp	16 mm
44	503065	1	Washer	M6 Nordlock
45	501045	1	Screw	MC6S M6x16 12.9
46	505055	2	Screw	MC6S M6x105 12.9



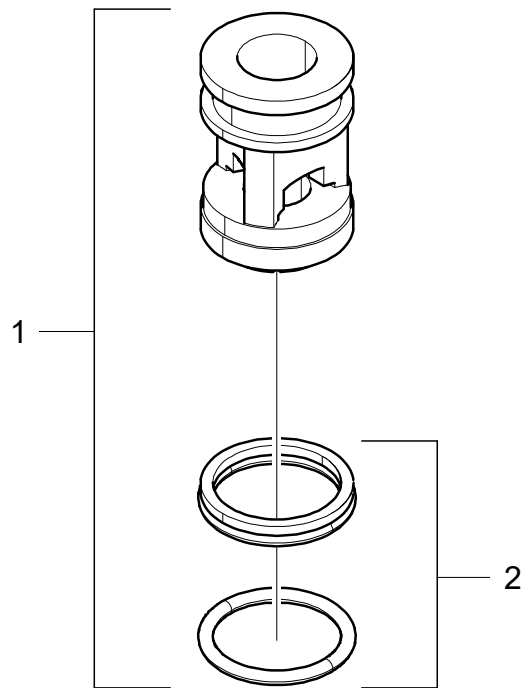
07/056

Log Max 6000B / Twin



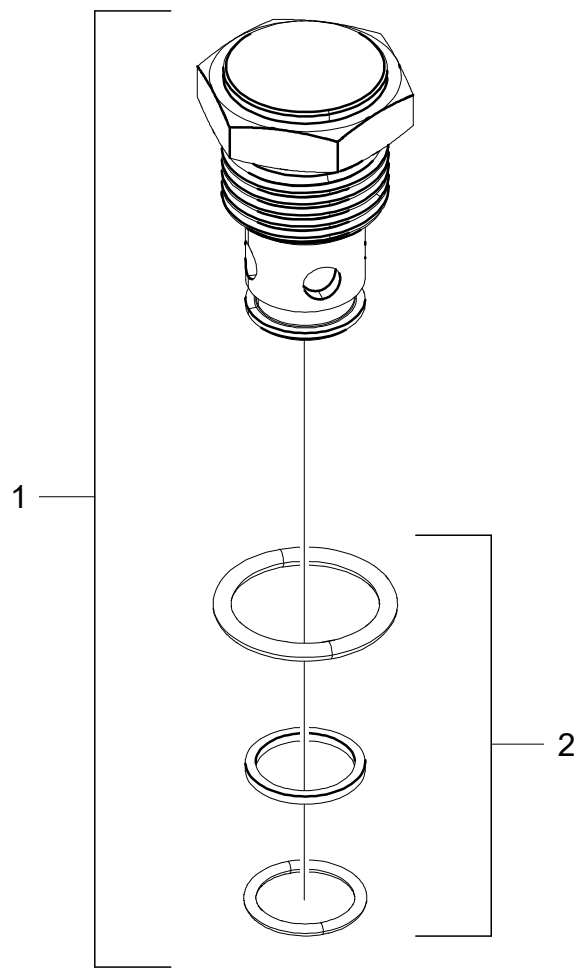
## Left manifold

Structure 015248				
Pos.	Part no.	Quantity	Description	Specification
1	612033	1	Manifold	
2	011626	1	Directional valve	24 V Roller arms / Hjularmar
3	010280	1	Directional valve	24 V Felling link / Fällänk
4	613015	1	Orifice	M6 Ø 1.2
5	501031	8	Screw	MC6S M5x30 12.9
6	612057	1	Directional valve	24 V NG4
7	501029	4	Screw	MC6S M5x20 12.9
8	501033	4	Screw	MC6S M5x40 12.9
9	613045	1	Blind plate	
10	601000	4	Hex plug	1/8" R
11	619022	1	Sequence valve	
12	613033	1	Orifice	M5 Ø 2.0
13	501035	4	Screw	MC6S M5x50 12.9
14	619016	3	Pressure reducer valve	
15	613017	2	Orifice	M6 Ø 2.5
16	617033	6	Pressure reducer valve	190 bar
17	601002	5	Hex plug	3/8" R
18	617044	1	Check valve	0.34 bar
19	601001	4	Hex plug	1/4" R
20	617013	2	Check valve	
21	601261	2	Test point	1/4"



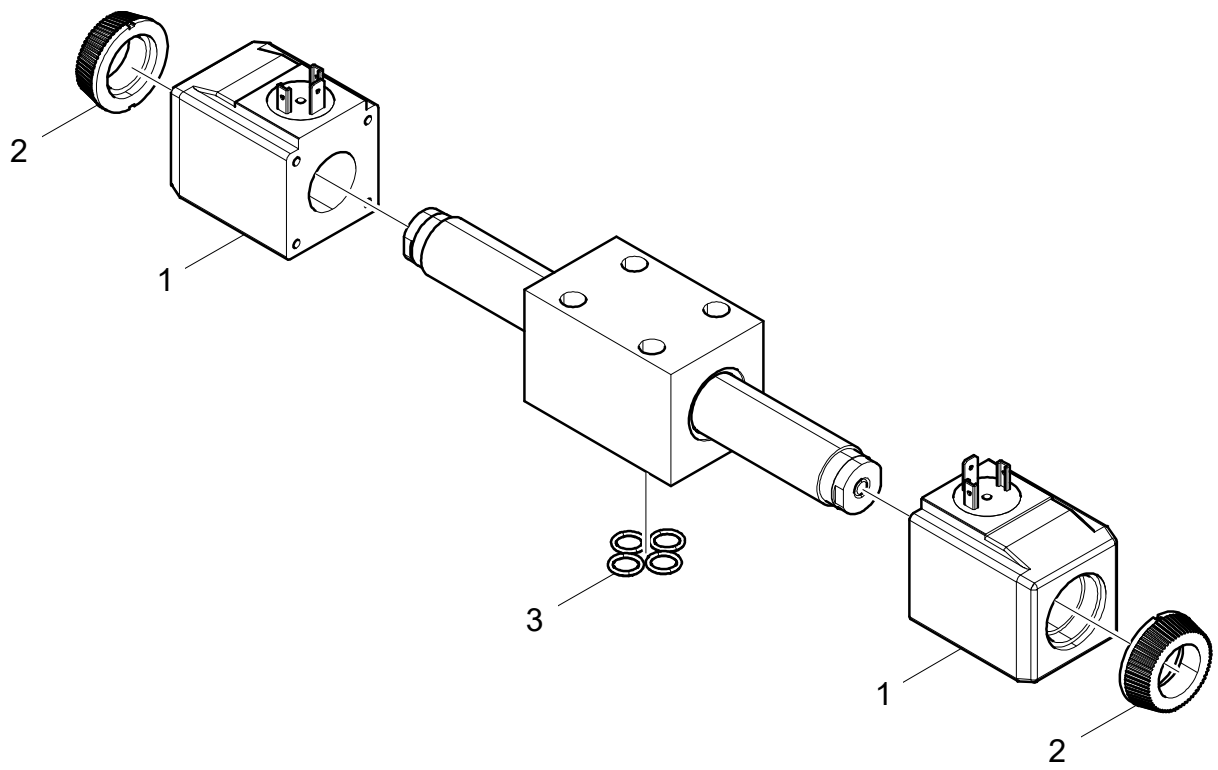
## Check valve

Structure 617013				
Pos.	Part no.	Quantity	Description	Specification
1	617013	1	Check valve	
2	620356	1	Seal kit	



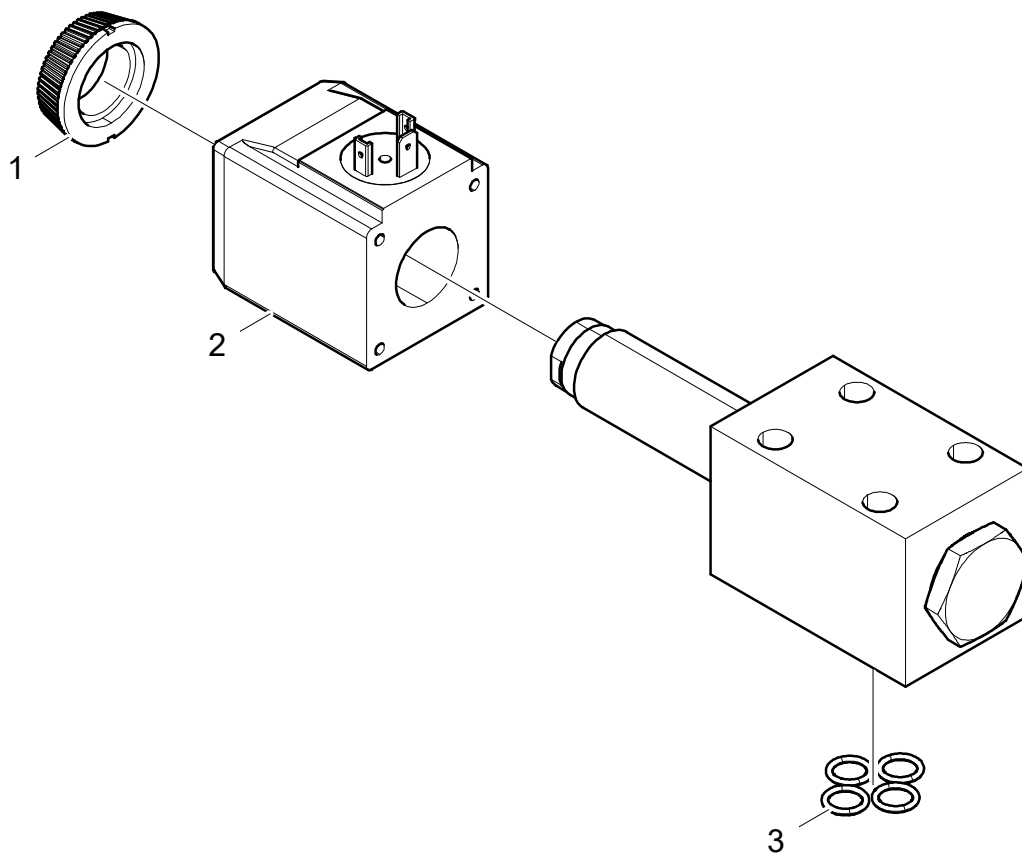
## Check valve

Structure 617044				
Pos.	Part no.	Quantity	Description	Specification
1	617044	1	Check valve	0.34 bar
2	620351	1	Seal kit	



## Directional valve 24V

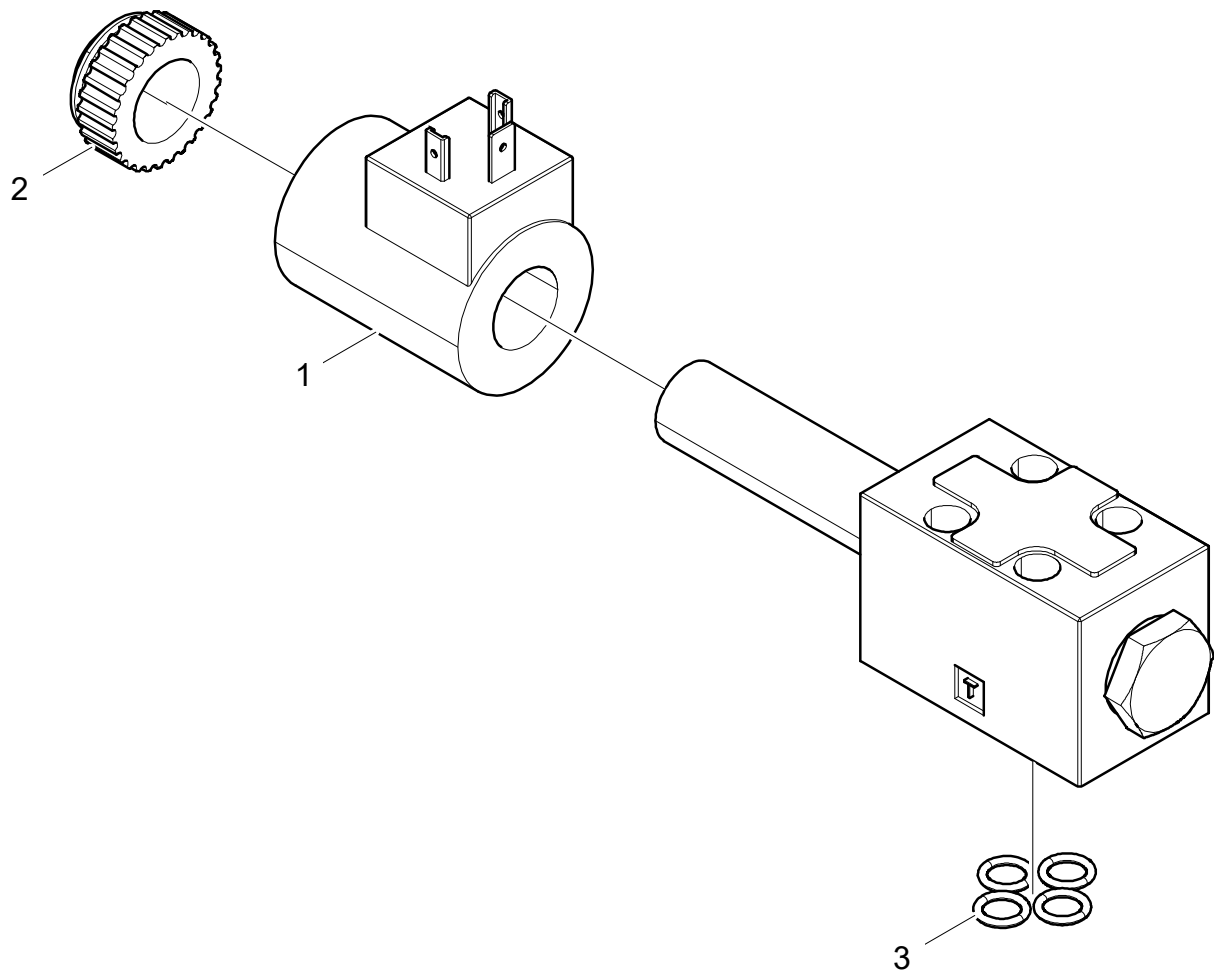
Structure 010280				
Pos.	Part no.	Quantity	Description	Specification
1	613002	2	Solenoide	24 V
2	613059	2	Nut	Plastic / Plast
3	540038	4	O-ring	9.25x1.78





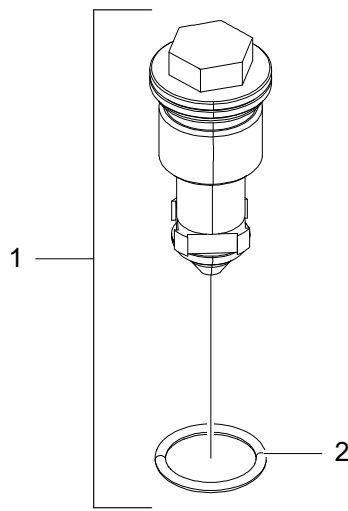
## Directional valve 24V

Structure 011626				
Pos.	Part no.	Quantity	Description	Specification
1	613059	1	Nut	Plastic / Plast
2	613002	1	Solenoide	24 V
3	540038	4	O-ring	9.25x1.78



## Directional valve 24V

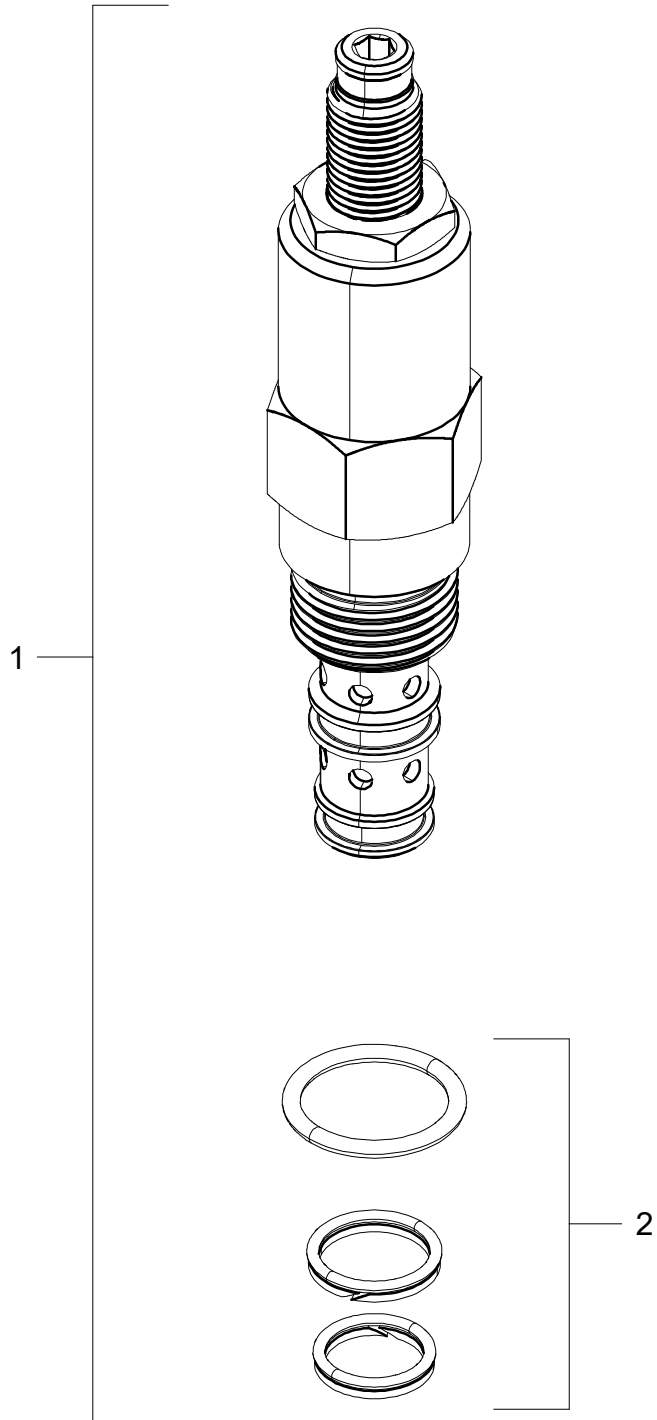
Structure 612057				
Pos.	Part no.	Quantity	Description	Specification
1	613069	1	Solenoide	24 V
2	613105	1	Nut	Plastic / Plast
3	540037	4	O-ring	7.65x1.68



07/136

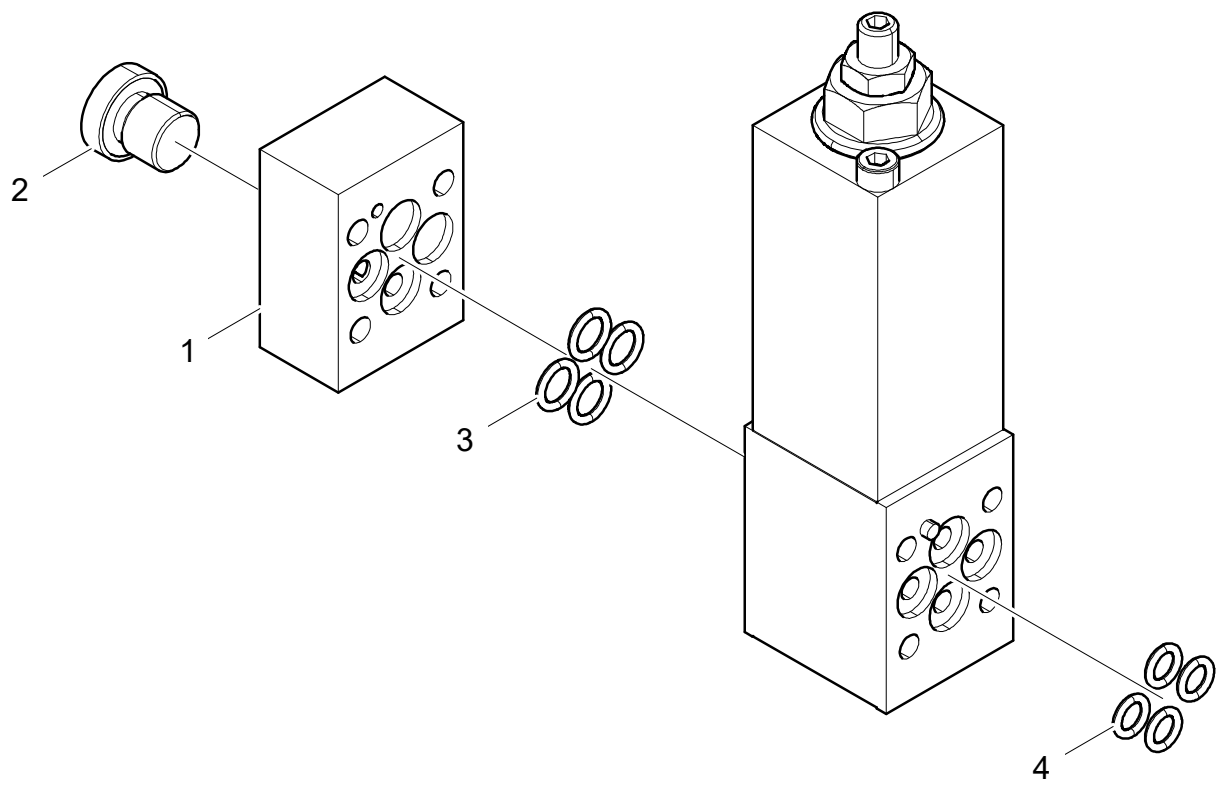
## Pressure reducer valve

Structure 617033				
Pos.	Part no.	Quantity	Description	Specification
1	617033	1	Pressure reducer valve	190 bar
2	540043	1	O-ring	15.6x1.78



## Pressure reducer valve

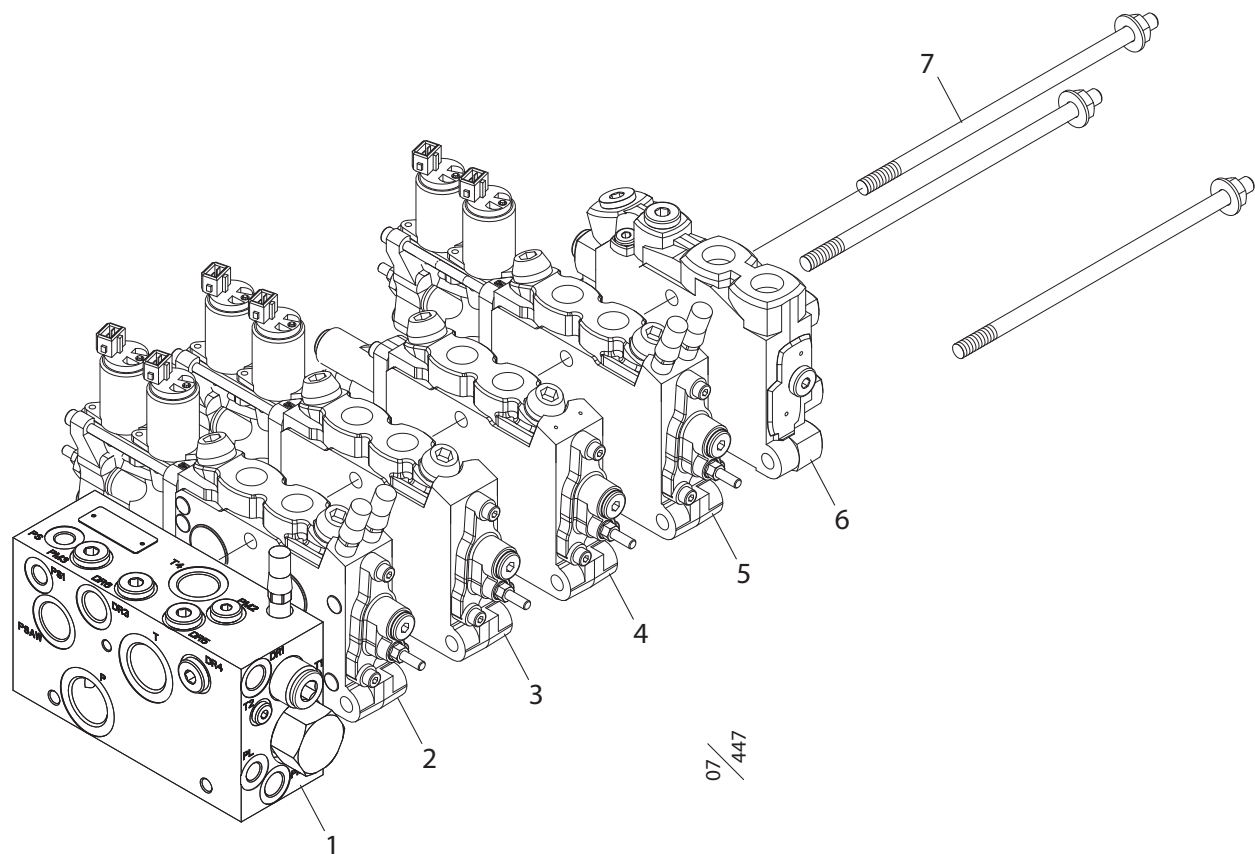
Structure 619016				
Pos.	Part no.	Quantity	Description	Specification
1	619016	1	Pressure reducer valve	
2	620352	1	Seal kit	





## Sequence valve

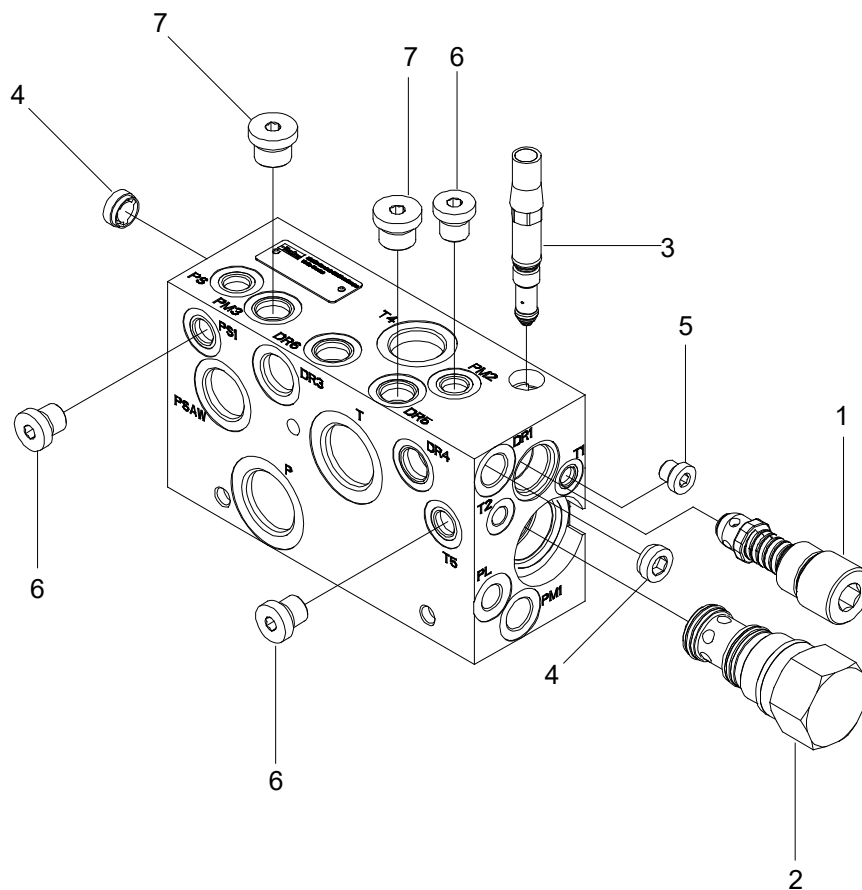
Structure 619022				
Pos.	Part no.	Quantity	Description	Specification
1	613021	1	Cover	
2	601001	1	Hex plug	1/4" R
3	540036	4	O-ring	7.66x1.78
4	540034	4	O-ring	6.07x1.78



07/447

## Right manifold

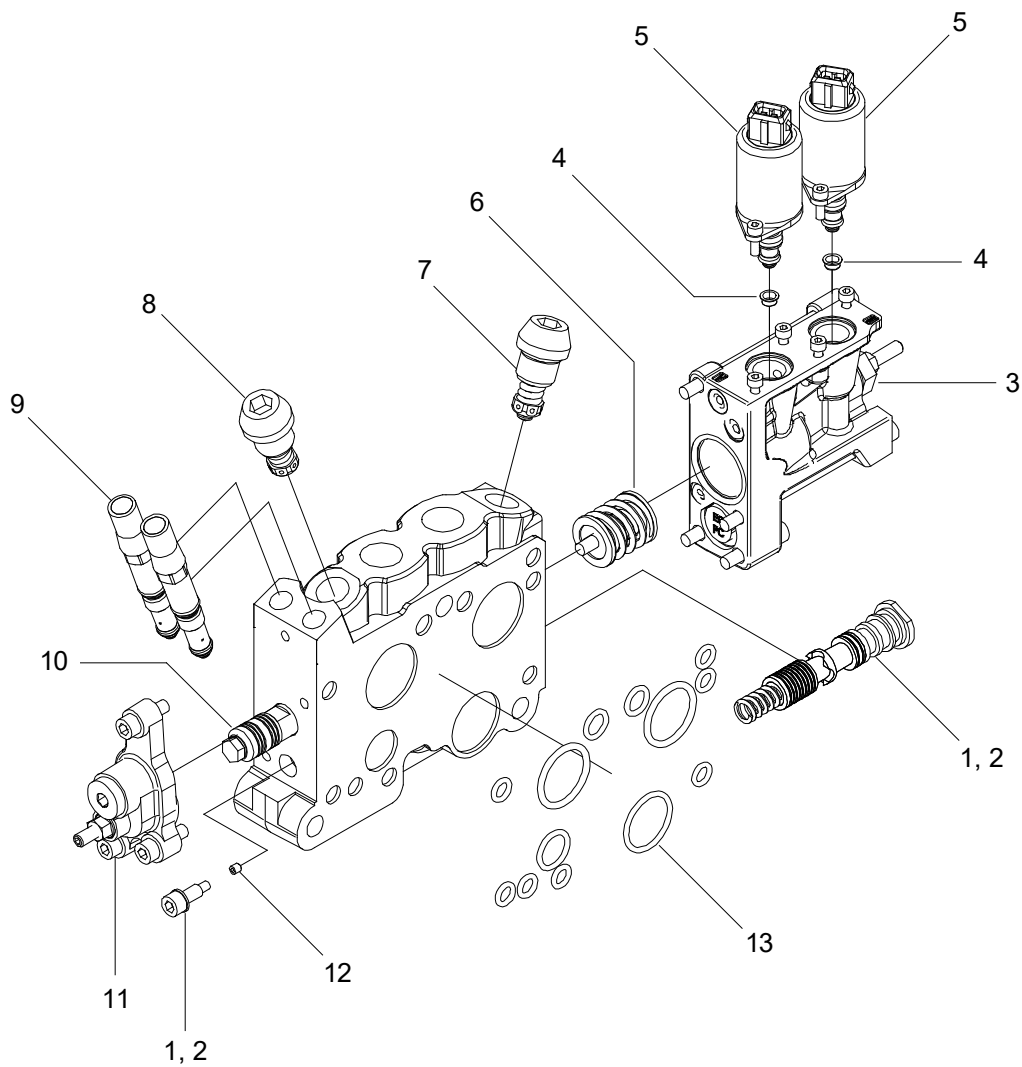
Structure 614025-01				
Pos.	Part no.	Quantity	Description	Specification
1	614116-04	1	Inlet manifold	S01
2	614111-02	1	Knife section	S02
3	614115-03	1	Feed section	S03
4	614114-02	1	Feed section	S04
5	614111-06	1	Knife section	S05
6	614110-01	1	End section	S06
7	620455	1	Tie rod kit	L = 240 mm



07/131

## Inlet section S01

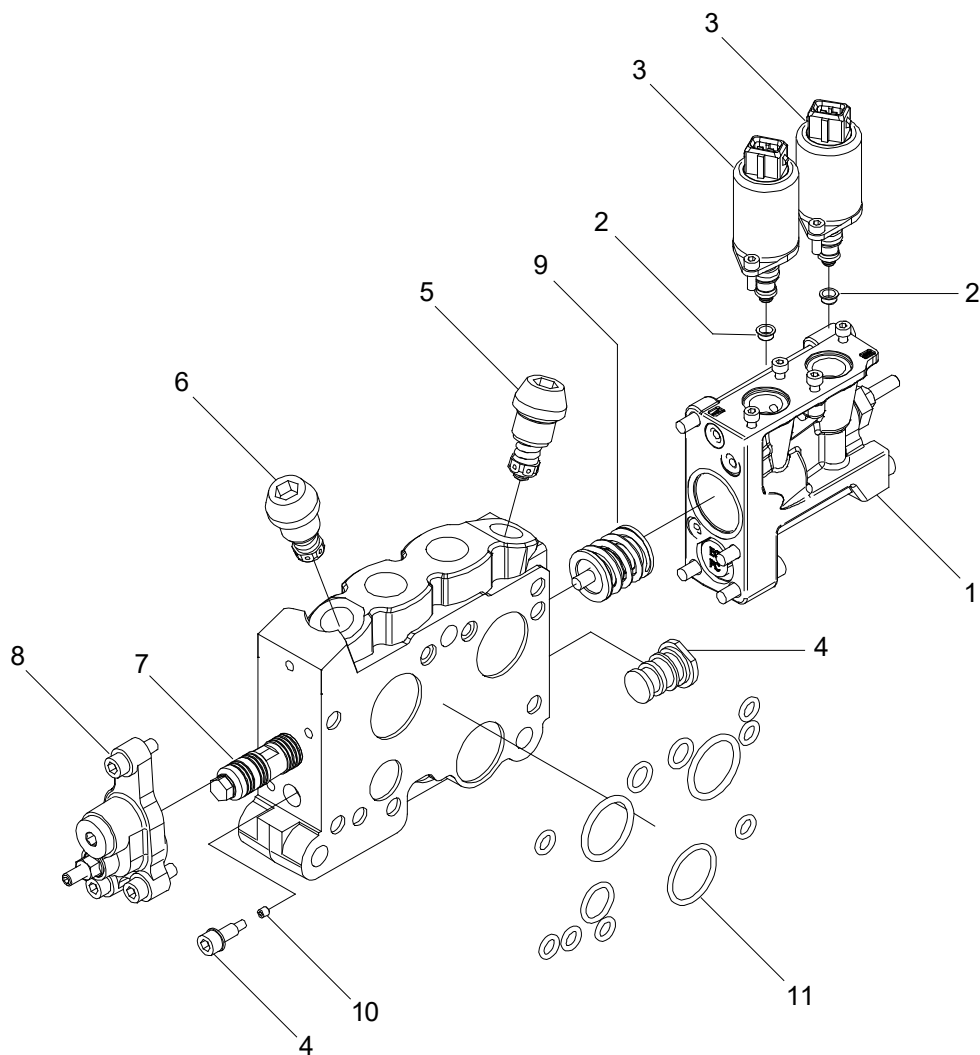
Structure 614116-04				
Pos.	Part no.	Quantity	Description	Specification
1	611196	1	Relief valve	330 bar
2	620543	1	Reducer valve	
3	620397	1	Feed reducer	
4	617028	2	Check valve	
5	601000	1	Hex plug	1/8" R
6	601001	3	Hex plug	1/4" R
7	601002	2	Hex plug	3/8" R



07/132

## Knife section S02

Structure 614111-02				
Pos.	Part no.	Quantity	Description	Specification
1	620510	1	Compensator kit	
2	620512	1	Compensator kit	
3	620342	1	Cap	
4	620345	2	Restrictor	Ø 1.2 mm
5	620590	2	Pilot valve	
6	620392	1	Spring kit	
7	620399	1	Relief valve	125 bar
8	620407	1	Relief valve	190 bar
9	620397	2	Feed reducer	
10	620444	1	Spool	
11	620390	1	Cap	
12		1	Restrictor	
13	620377	1	Seal kit	

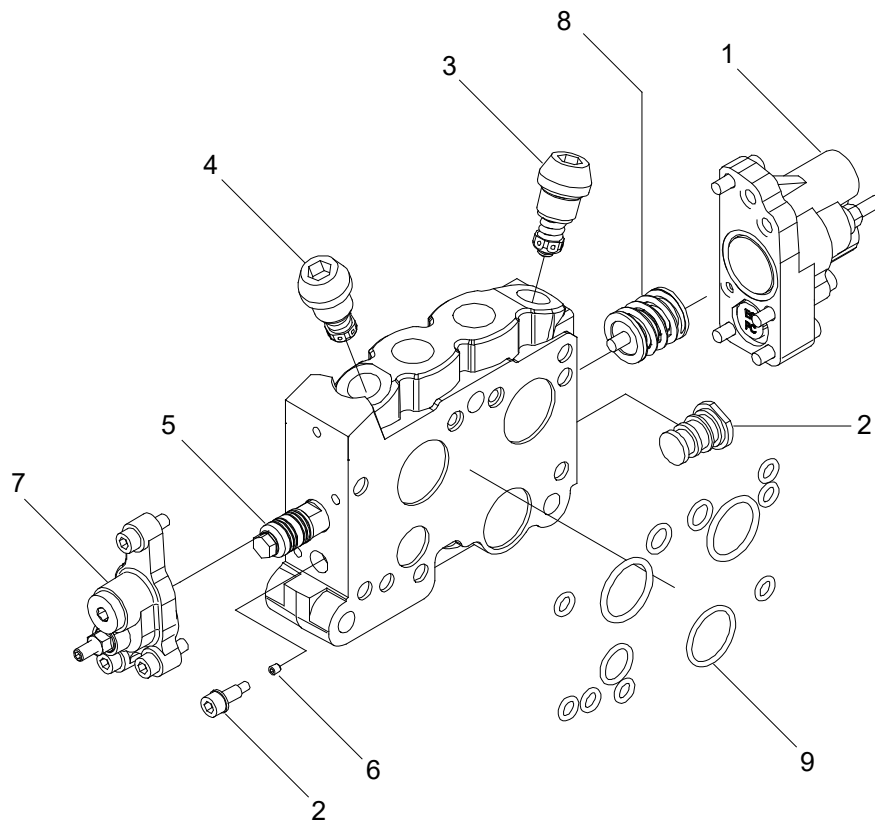


07/133



## Feed section S03

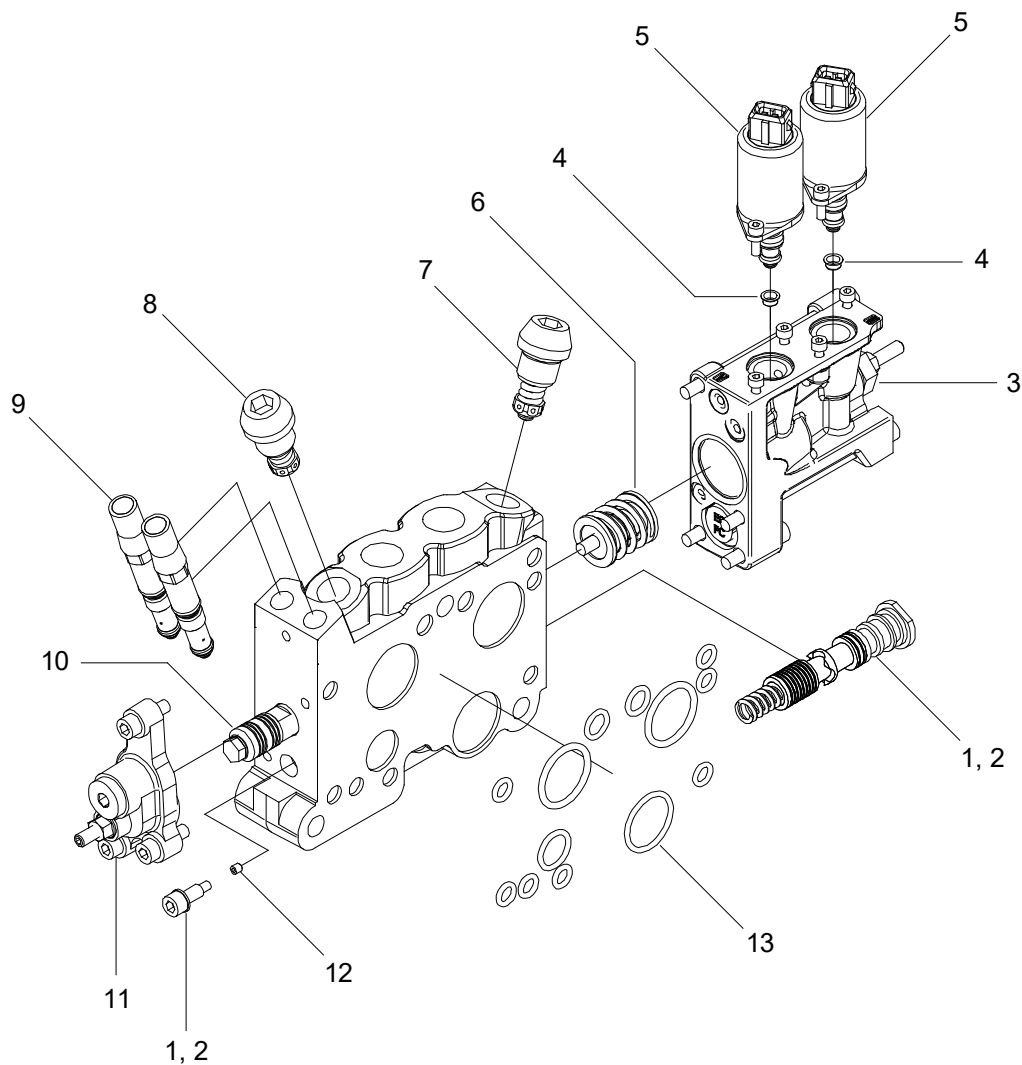
Structure 614115-03				
Pos.	Part no.	Quantity	Description	Specification
1	620342	1	Cap	
2	620345	2	Restrictor	Ø.1.2 mm
3	620590	2	Pilot valve	
4		1	Plug, kit	
5	620484	1	Relief valve	280 bar
6	620400	1	Relief valve	320 bar
7	620454	1	Spool	
8	620390	1	Cap	
9	620485	1	Spring pack	
10		1	Plug	
11	620377	1	Seal kit	



07/134

## Feed section S04

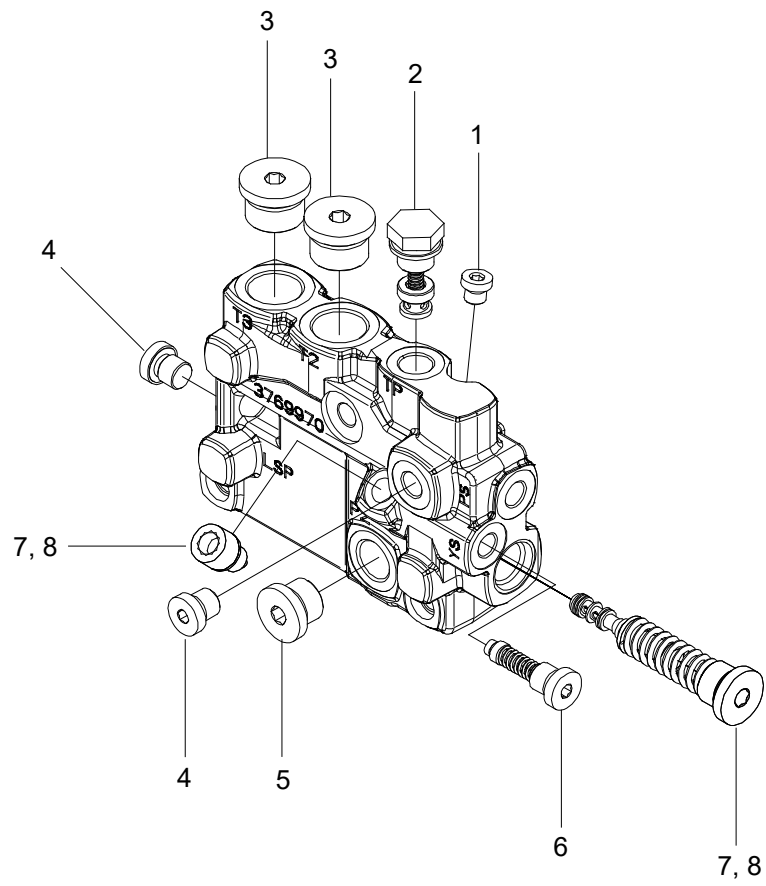
Structure 614114-02				
Pos.	Part no.	Quantity	Description	Specification
1	620391	1	Cap	
2		1	Plug, kit	
3	620484	1	Relief valve	280 bar
4	620400	1	Relief valve	320 bar
5	620454	1	Spool	
6		1	Plug	
7	620390	1	Cap	
8	620485	1	Spring kit	
9	620377	1	Seal kit	



07/132

## Knife section S05

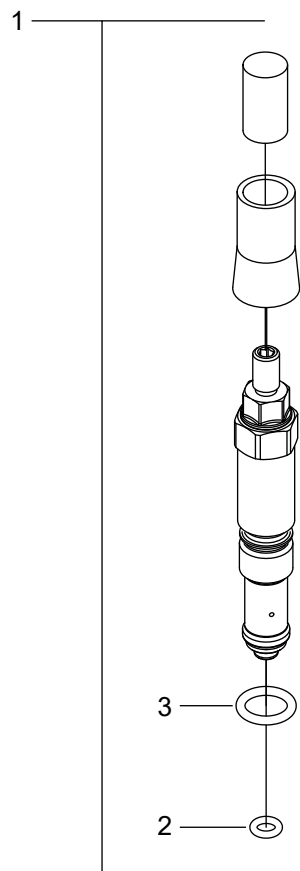
Structure 614111-06				
Pos.	Part no.	Quantity	Description	Specification
1	620510	1	Compensator kit	
2	620512	1	Compensator kit	
3	620342	1	Cap	
4	620395	2	Restrictor	Ø 1.2 mm
5	620590	2	Pilot valve	
6	620392	1	Spring kit	
7	620399	1	Relief valve	125 bar
8	620404	1	Relief valve	210 bar
9	620397	2	Feed reducer	
10	620444	1	Spool	
11	620390	1	Cap	
12		1	Restrictor	
13	620377	1	Seal kit	



07/135

## End section S06

Structure 614110-01				
Pos.	Part no.	Quantity	Description	Specification
1	601000	1	Hex plug	1/8" R
2	617070	1	Check valve kit	
3	601004	2	Hex plug	3/4" R
4	601001	2	Hex plug	1/4" R
5	601003	1	Hex plug	1/2" R
6	620426	1	Pilot filter compl.	
7	620417	1	Pilot reducer	35 bar
8	620418	1	Pilot reducer	35 bar

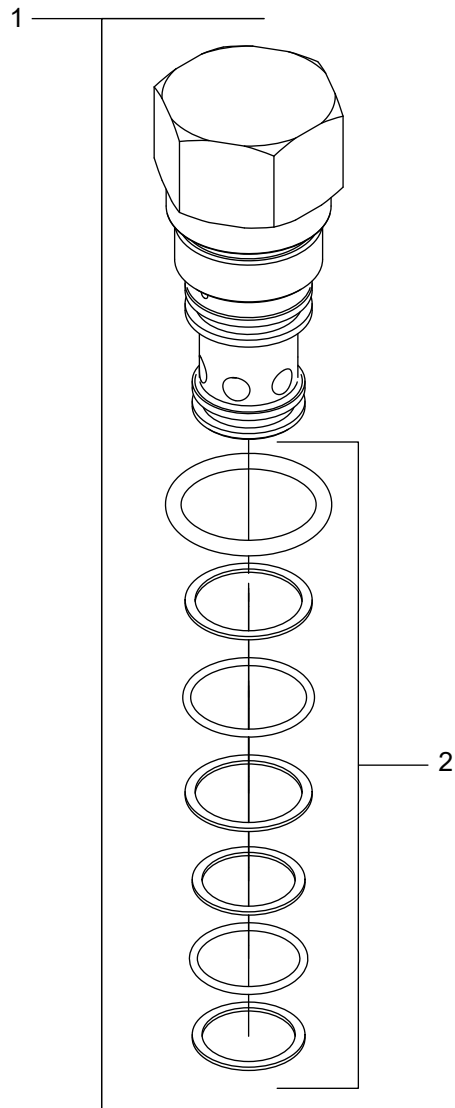


07 / 011



## Feed reducer

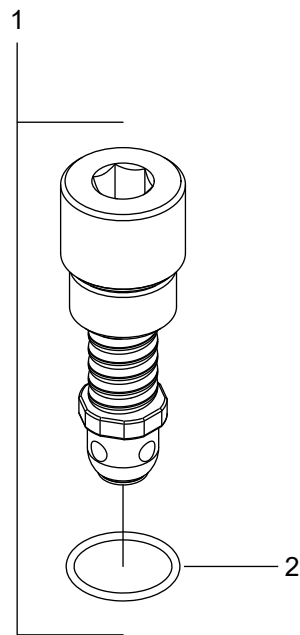
Structure 620397				
Pos.	Part no.	Quantity	Description	Specification
1	620397	1	Feed reducer	
2	540001	1	O-ring	4.1x1.6
3	543022	1	O-ring	9.5x2.0



07 / 016

## Reducer valve

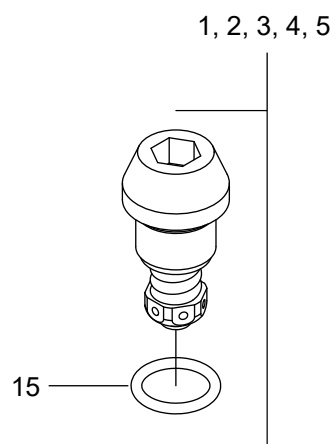
Structure 620543				
Pos.	Part no.	Quantity	Description	Specification
1	620543	1	Reducer valve	
2	611309	1	Seal kit	



07/015

## Relief valve

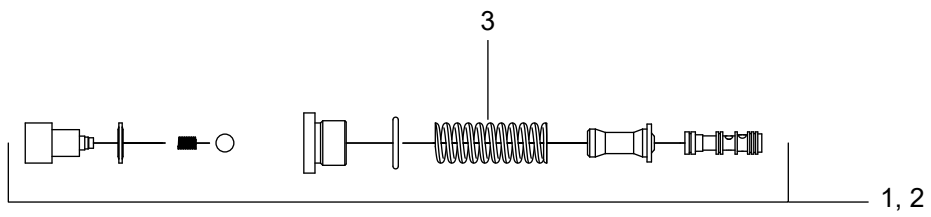
Structure 611196				
Pos.	Part no.	Quantity	Description	Specification
1	611196	1	Relief valve	330 bar
2	540047	1	O-ring	21.95x1.78



07 / 033

## Relief valves

Structure				
Pos.	Part no.	Quantity	Description	Specification
1	620399	1	Relief valve	125 bar
2	620407	1	Relief valve	190 bar
3	620404	1	Relief valve	210 bar
4	620484	1	Relief valve	280 bar
5	620400	1	Relief valve	320 bar
15	540072	1	O-ring	15.3x2.4

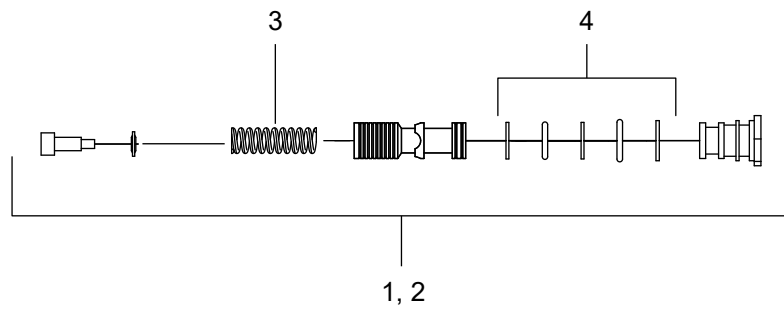


07/013



## Pilot reducer

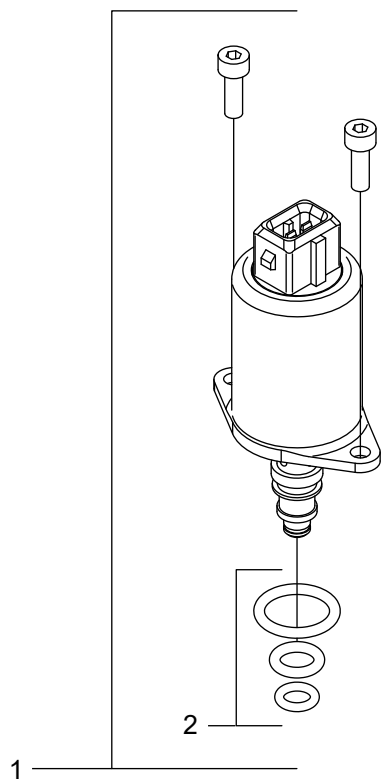
Structure				
Pos.	Part no.	Quantity	Description	Specification
1	620417	1	Pilot reducer	35 bar, G
2	620418	1	Pilot reducer	35 bar, R
3	620425	1	Spring	35 bar



07 / 014

## Compensator kit

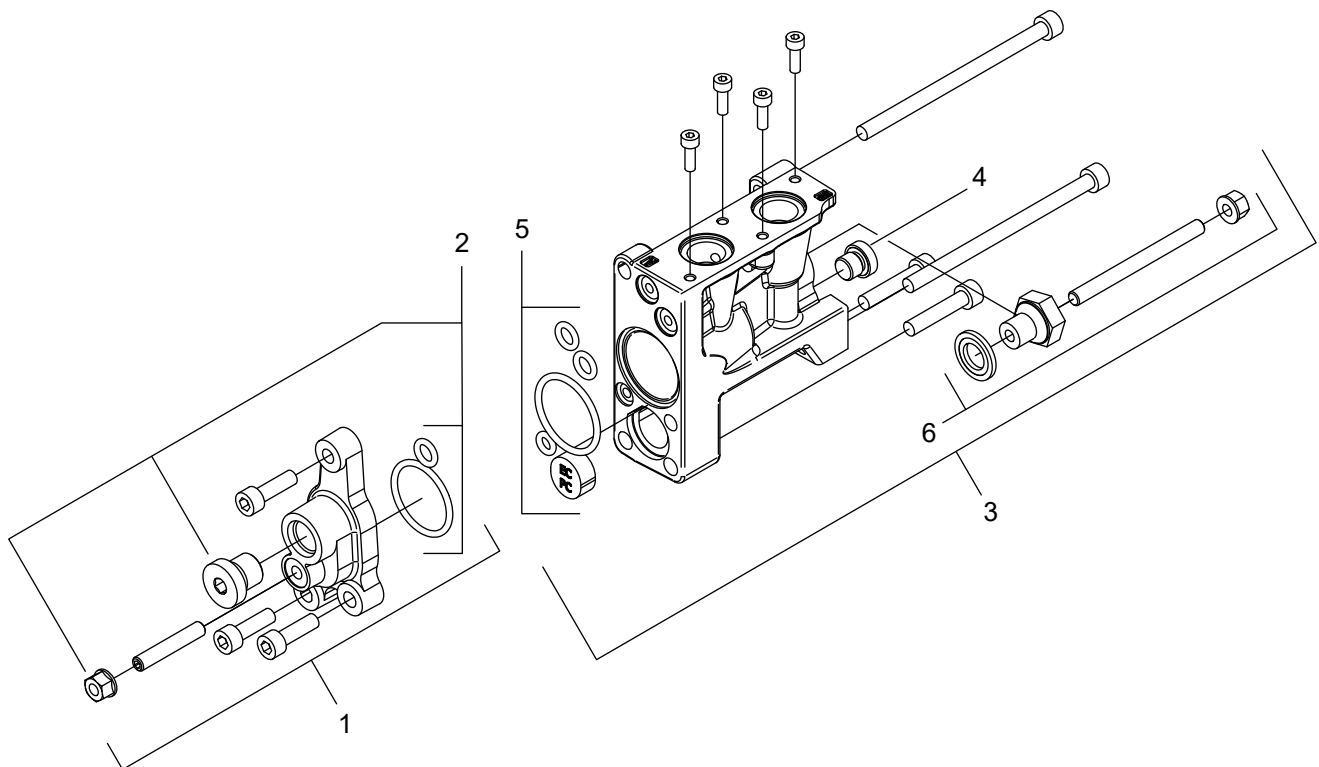
Structure				
Pos.	Part no.	Quantity	Description	Specification
1	620510	1	Compensator kit	B, K spring / B, K fjäder
2	620512	1	Compensator kit	G, K spring / G, K fjäder
3	620413	1	Compensator spring	K
4	620376	1	Seal kit	



07 / 009

## Pilot valve

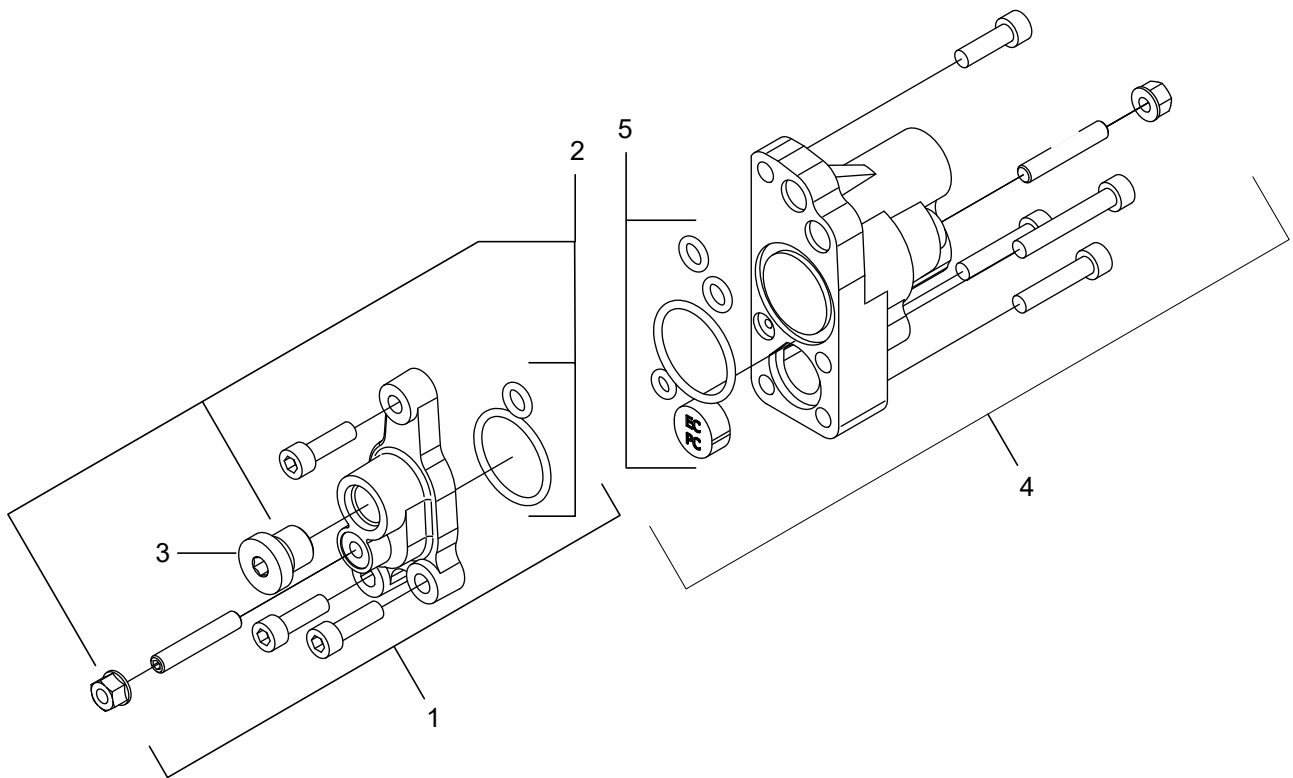
Structure 620590				
Pos.	Part no.	Quantity	Description	Specification
1	620590	1	Pilot valve	
2	620344	1	Seal kit	



07 / 008

## Servo caps S02, S03 & S05

Structure 620342, 620390				
Pos.	Part no.	Quantity	Description	Specification
1	620390	1	Cap	
2	620383	1	Seal kit	
3	620342	1	Cap	
4	601000	1	Hex plug	1/8" R
5	620379	1	Seal kit	
6	620446	1	Spool limiter kit	

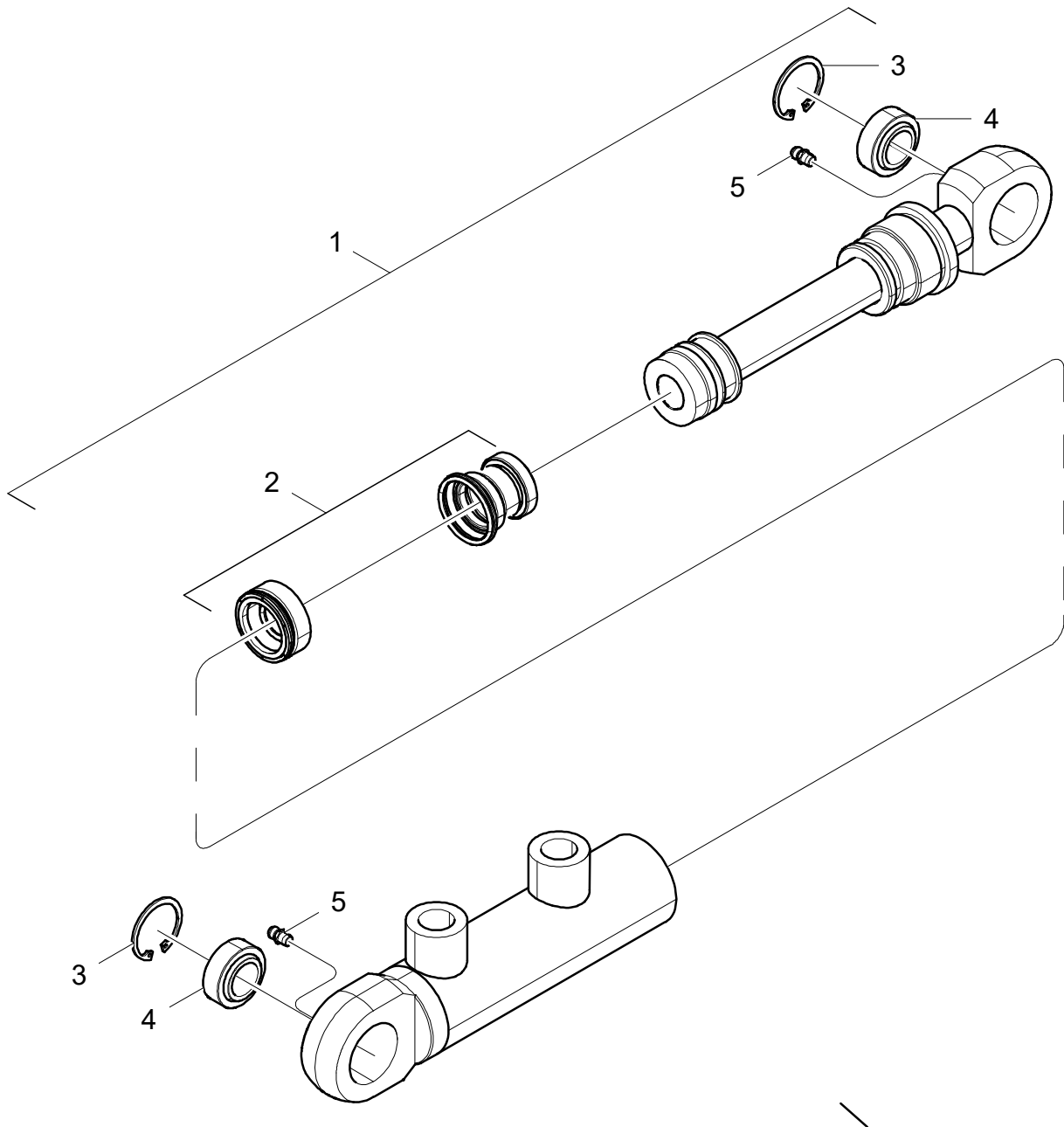


07 / 010



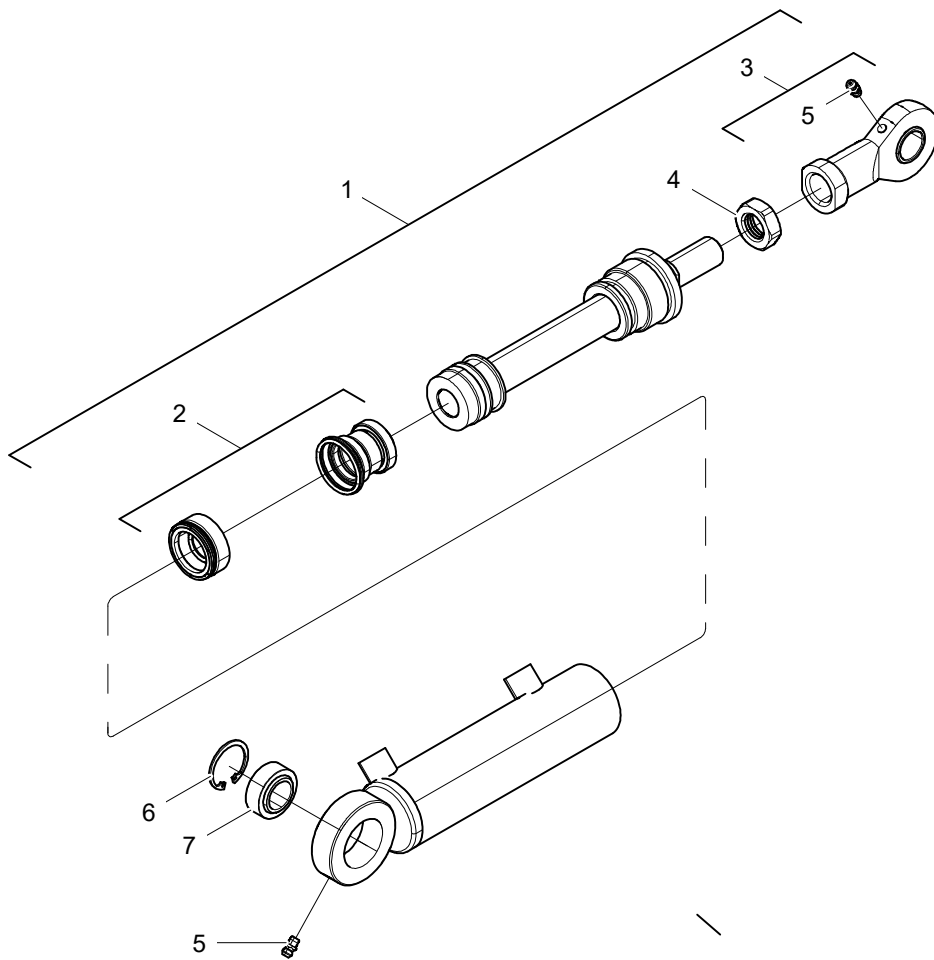
## Servo cap S04

Structure 620390, 620391				
Pos.	Part no.	Quantity	Description	Specification
1	620390	1	Cap	
2	620383	1	Seal kit	
3	601001	1	Hex plug	1/4" R
4	620391	1	Cap	
5	620379	1	Seal kit	



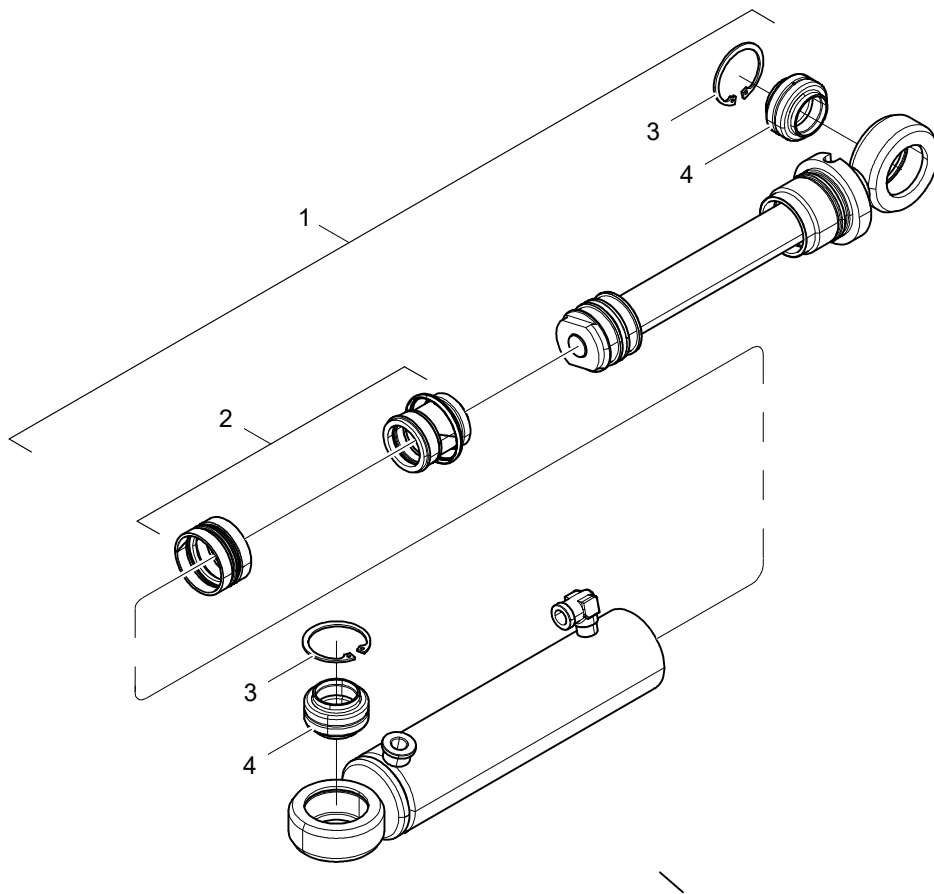
## Cylinder Ø25/16-45

Structure 015462				
Pos.	Part no.	Quantity	Description	Specification
1	620060-KIT	1	Rod kit	
2	620003	2	Seal kit	
3	517214	2	Circlip	
4	015220	2	Spherical bushing	GE12E S
5	625004	2	Grease nipple	M6 Straight / Rak



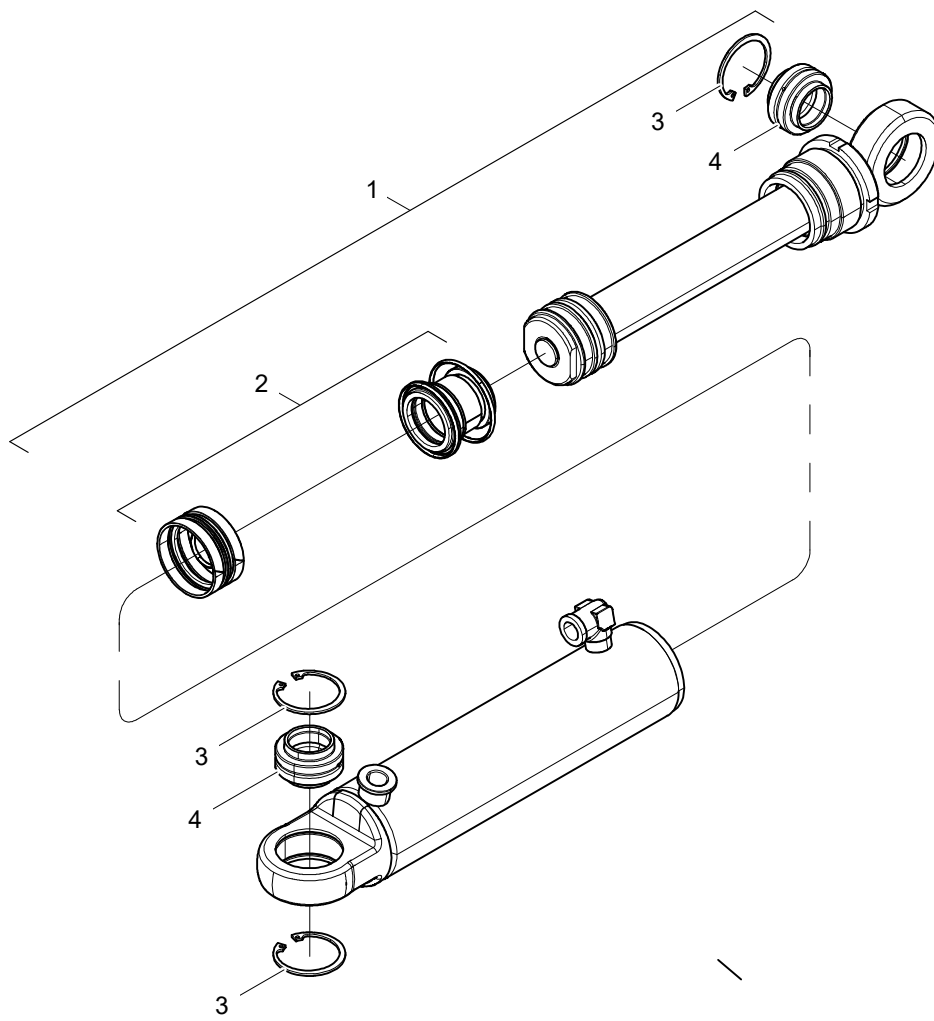
## Cylinder Ø40/25-106

Structure 015669				
Pos.	Part no.	Quantity	Description	Specification
1	620631-KIT	1	Rod kit	
2	620071	2	Seal kit	
3	510120	2	Link head	
4	502704	2	Nut	M20x1.5
5	625004	1	Grease nipple	M6
	625005	1	Grease nipple	M6 – 90
6	517227	1	Circlip	JV 35
7	510005	1	Spherical bushing	GE 20 ES



## Cylinder Ø50/32-170

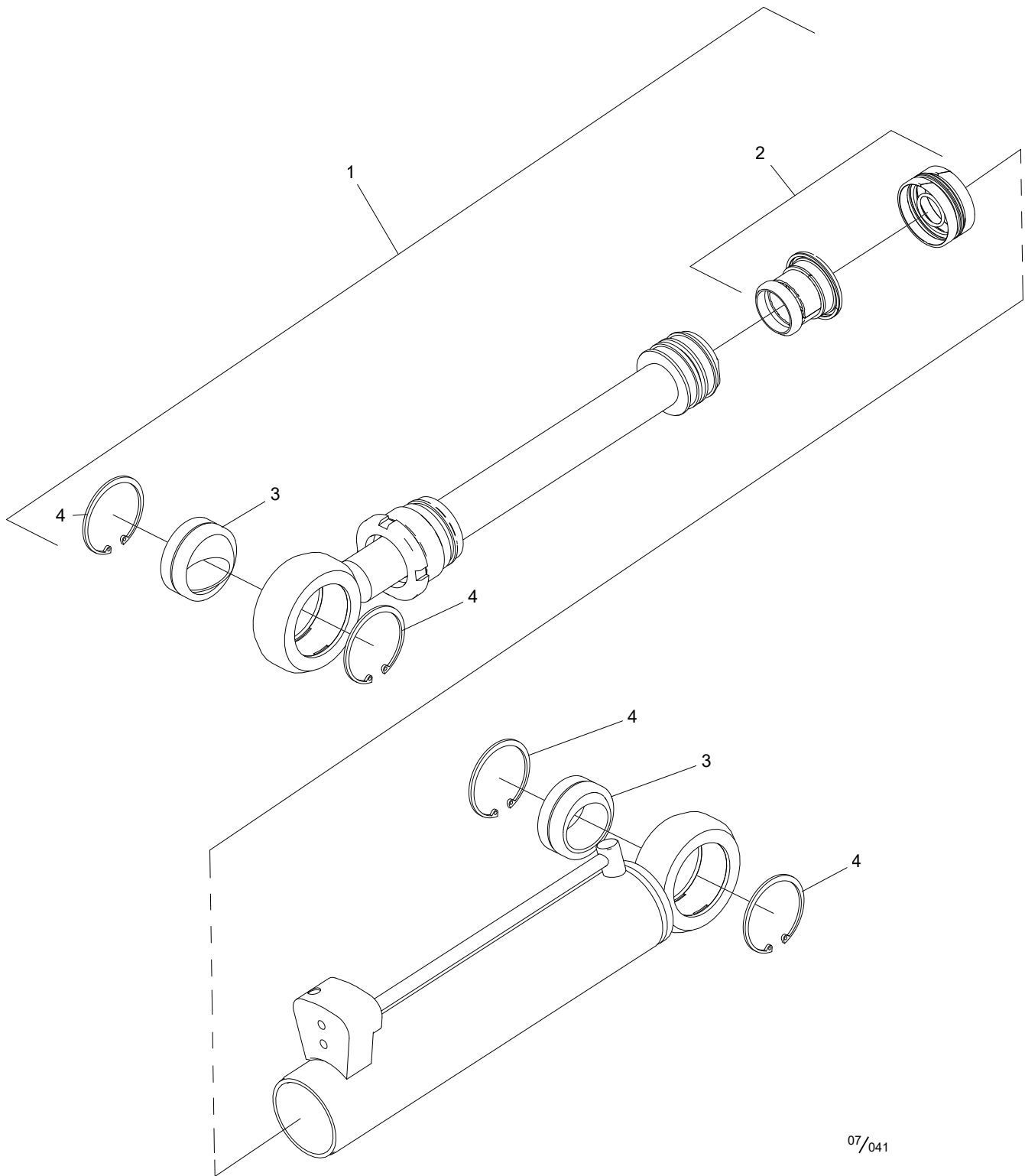
Structure 018275				
Pos.	Part no.	Quantity	Description	Specification
1	620102-KIT	1	Rod kit	
2	620101	1	Seal kit	
3	517240	2	Circlip	SGH 47
4	510012	2	Spherical bushing	GEG 30 ES-2RS





## Cylinder Ø63/40-215

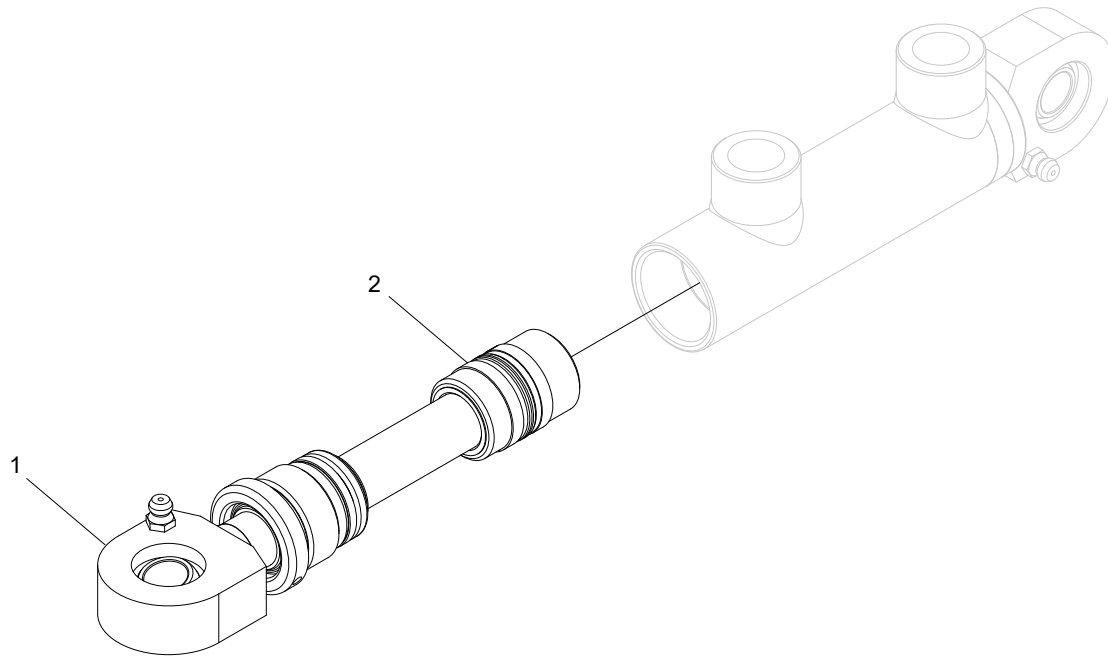
Structure 013203				
Pos.	Part no.	Quantity	Description	Specification
1	013510-KIT	1	Rod kit	
2	620085	2	Seal kit	
3	517245	2	Circlip	
4	510050	2	Spherical bushing	



07/041

## Cylinder Ø63/40-300

Structure 015740				
Pos.	Part no.	Quantity	Description	Specification
1	620911-KIT	1	Rod kit	
2	620085	2	Seal kit	
3	510011	1	Spherical bushing	
4	517253	4	Circlip	SGH 68

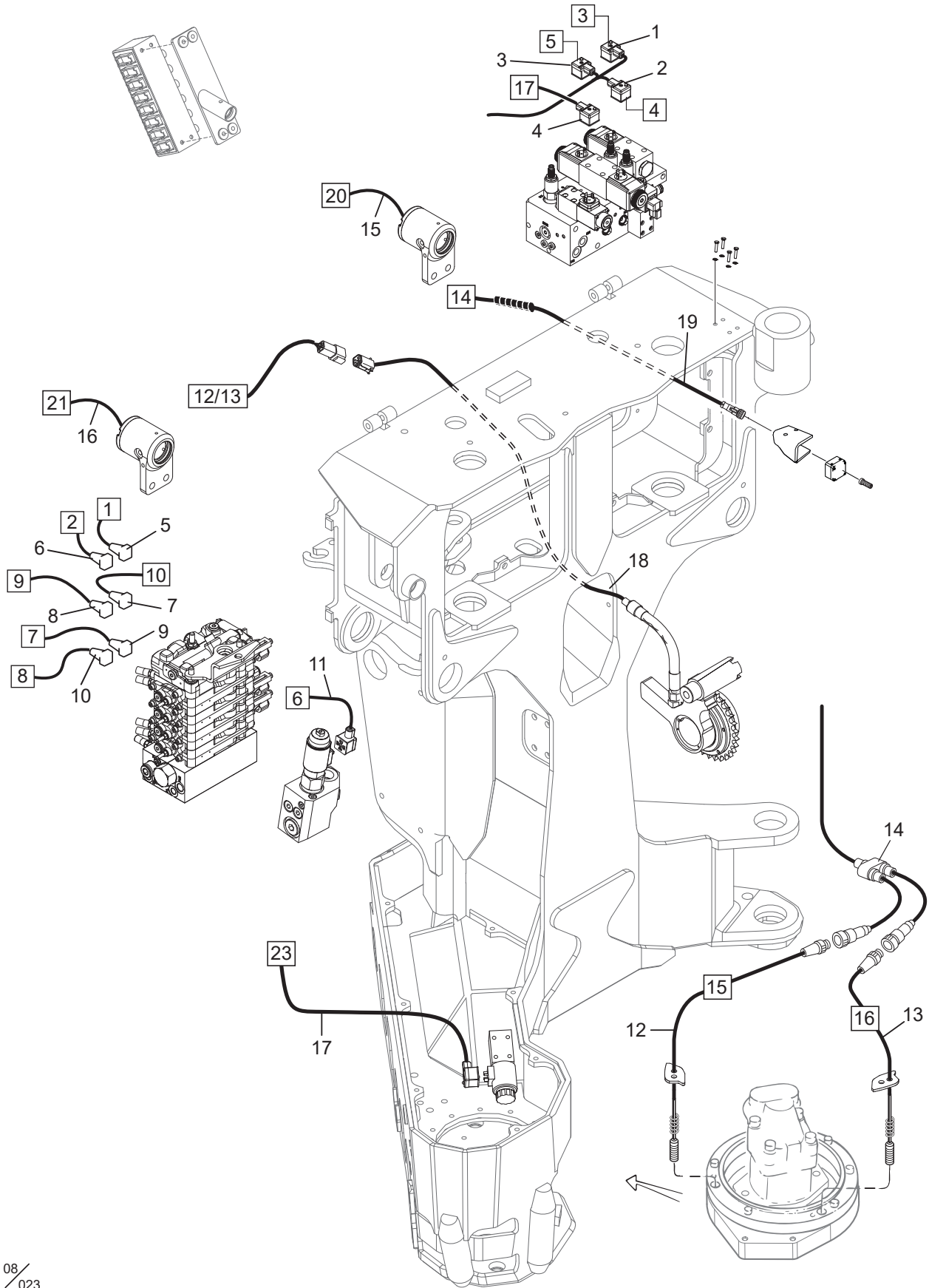


## Hydraulic cylinder

Structure 018870				
Pos.	Part no.	Quantity	Description	Specification
1	10000366	1	Tie rod kit	
2	620004	1	Seal kit	



# Control system



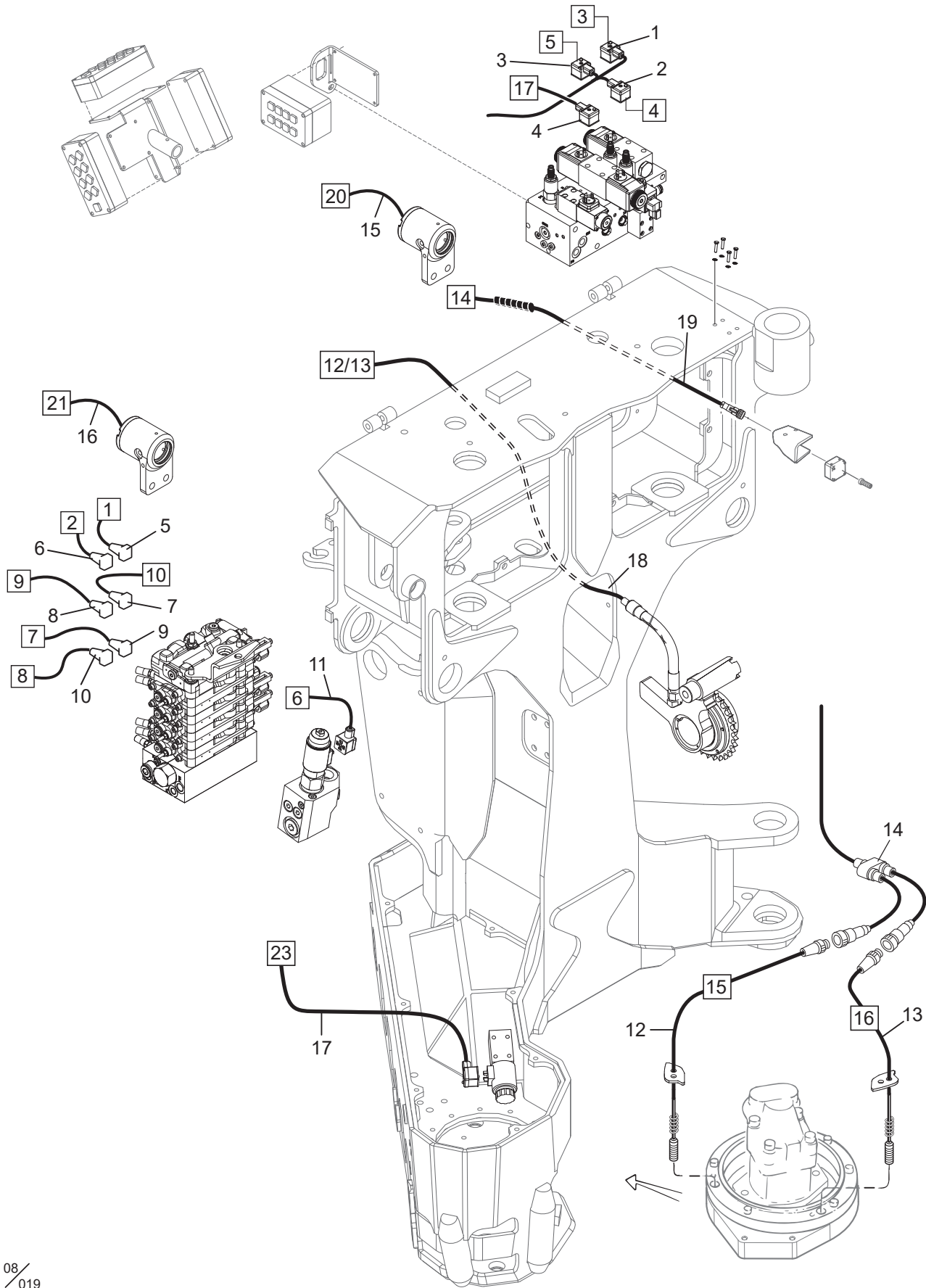
08 /  
023

Log Max 6000B/Twin - Log Mate 510



## Log Mate 510

Structure 033625-2-KABEL				
Pos.	Part no.	Quantity	Description	Specification
1	401232	1	Cable	"3"
2	401232	1	Cable	"4"
3	401232	1	Cable	"5"
4	401232	1	Cable	"17"
5	401296	1	Cable	"1"
6	401296	1	Cable	"2"
7	401296	1	Cable	"10"
8	401296	1	Cable	"9"
9	401296	1	Cable	"7"
10	401296	1	Cable	"8"
11	401232	1	Cable	"6"
12	017283	1	Magnetic sensor	"15"
13	017283	1	Magnetic sensor	"16"
14	017325	1	Cable	
15	402571	1	Cable	"20"
16	402571	1	Cable	"21"
17	401233	1	Cable	"23"
18	402580 401025	1	Cable	"12/13"
19	402552	1	Sensor compl.	"14"

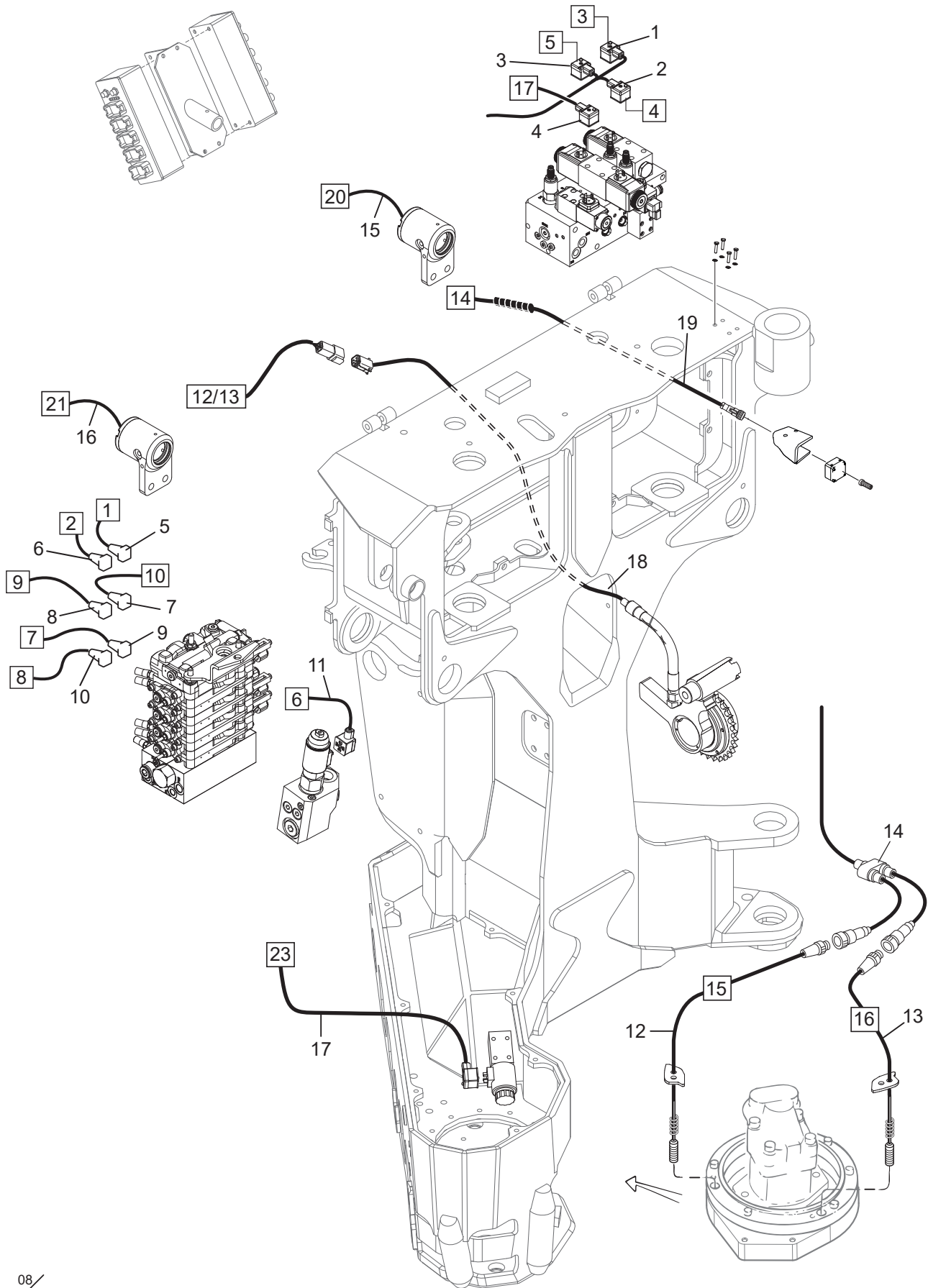


08 / 019

Log Max 6000B/Twin - Dasa 4 / Cabswin

## Dasa 4 & Cabswin

Structure 033681, 033682, 033686-2				
Pos.	Part no.	Quantity	Description	Specification
1	014162	1	Cable	"3"
2	014163	1	Cable	"4"
3	014164	1	Cable	"5"
4	014165	1	Cable	"17"
5	014176	1	Cable	"1"
6	014177	1	Cable	"2"
7	014181	1	Cable	"10"
8	014180	1	Cable	"9"
9	014178	1	Cable	"7"
10	014179	1	Cable	"8"
11	014166	1	Cable	"6"
12	402587	1	Cable	"15"
13	402587	1	Cable	"16"
14	017324	1	Cable	
15	401250	1	Cable	"20"
16	401250	1	Cable	"21"
17	401233	1	Cable	"23"
18	401025	1	Cable	"12/13"
19	679900	1	Cable	"14"

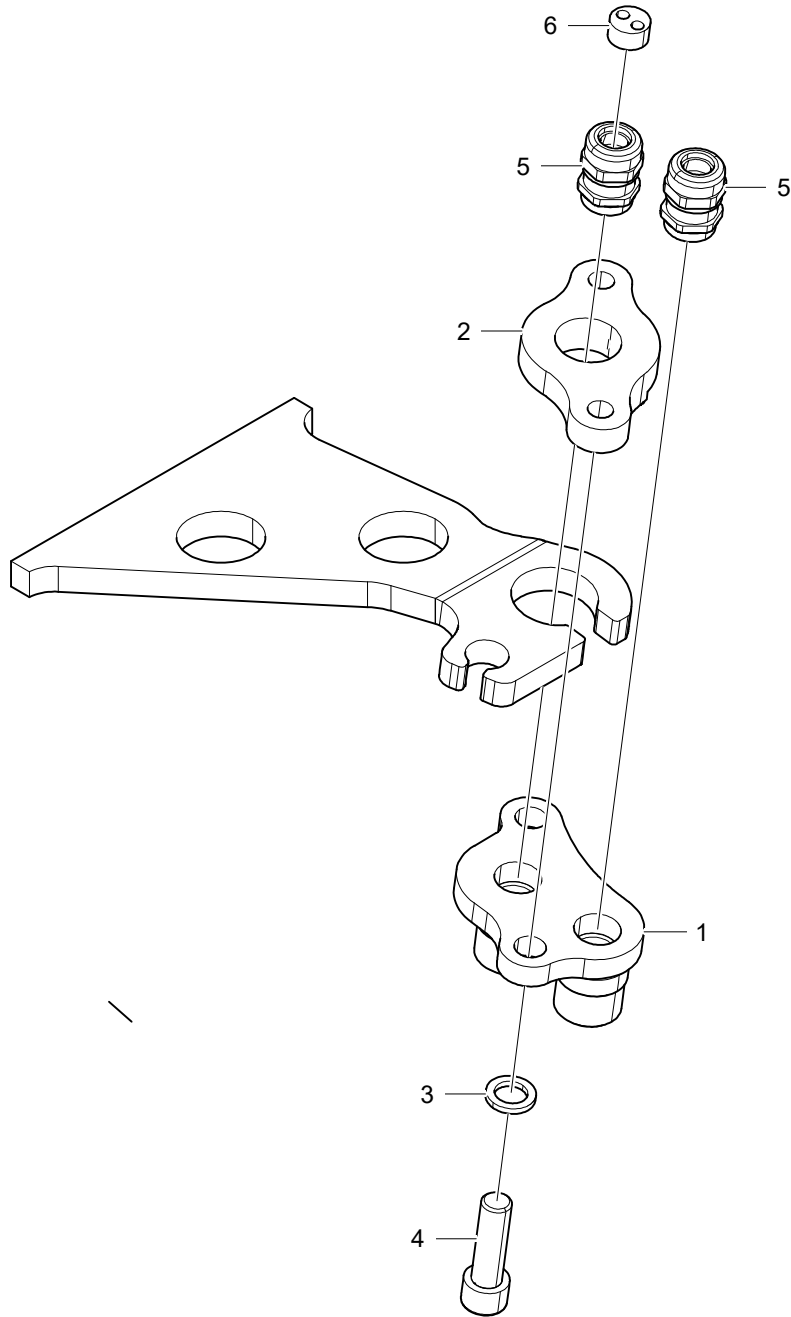


08 / 024

Log Max 6000B/Twin - Dasa Forester

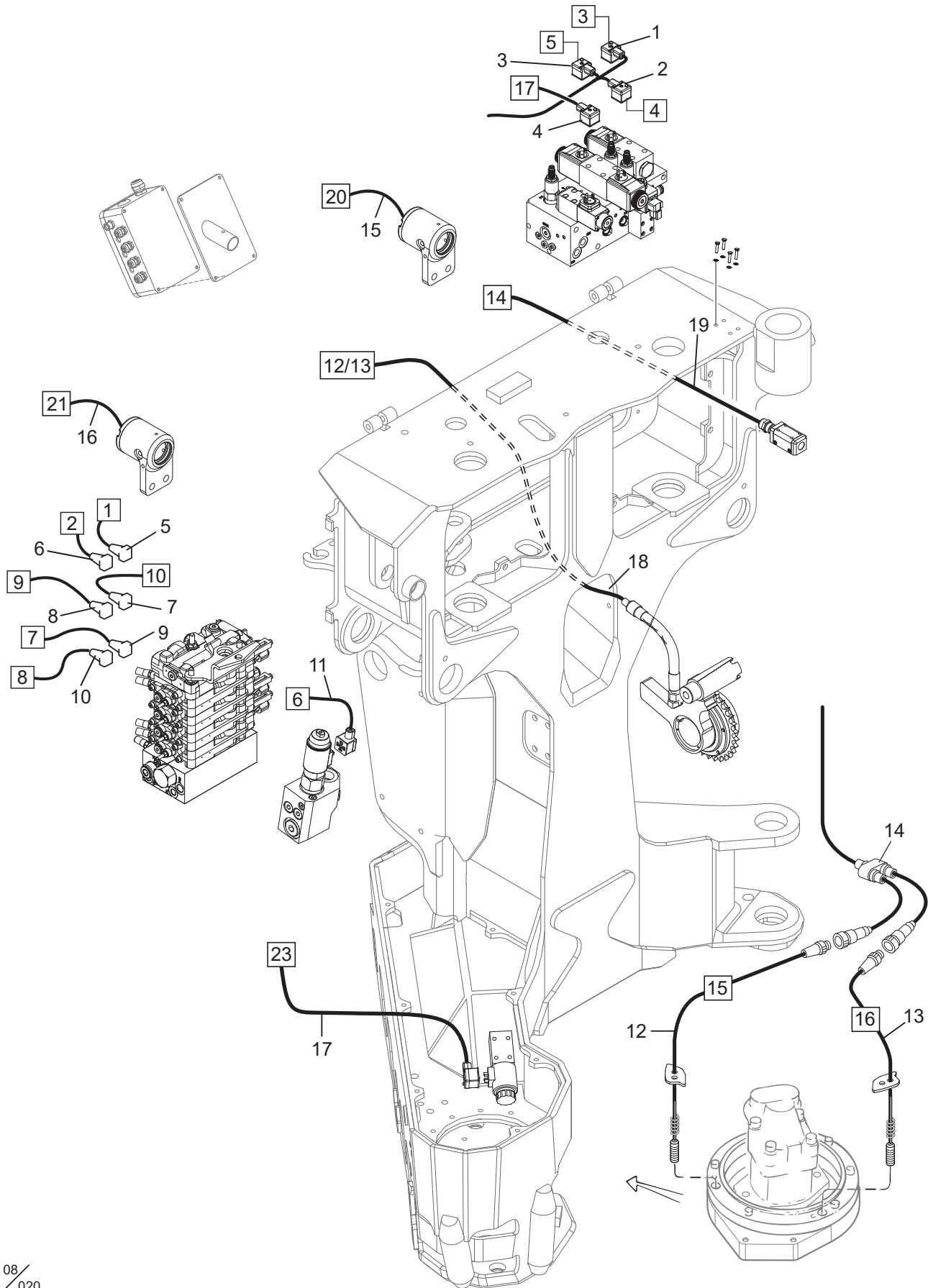
## Dasa Forester

Structure 033623-2-KABEL				
Pos.	Part no.	Quantity	Description	Specification
1	401232	1	Cable	"3"
2	401232	1	Cable	"4"
3	401232	1	Cable	"5"
4	401232	1	Cable	"17"
5	401296	1	Cable	"1"
6	401296	1	Cable	"2"
7	401296	1	Cable	"10"
8	401296	1	Cable	"9"
9	401296	1	Cable	"7"
10	401296	1	Cable	"8"
11	401232	1	Cable	"6"
12	017283	1	Magnetic sensor	"15"
13	017283	1	Magnetic sensor	"16"
14	017325	1	Cable	
15	402574	1	Cable	"20"
16	402574	1	Cable	"21"
17	401233	1	Cable	"23"
18	402580 401025		Cable	"12/13"
19	402555	1	Sensor compl.	"14"



## Dasa Forester, Eco Log & Rottne

Structure 032251				
Pos.	Part no.	Quantity	Description	Specification
1	018070	1	Plate	
2	018071	1	Plate	
3	503060	2	Washer	M12 Nordlock
4	501111	2	Screw	MC6S M12x40 12.9
5	401152	2	Cable sleeve	M20x1.5
6	401776	1	Cable sealing	M20



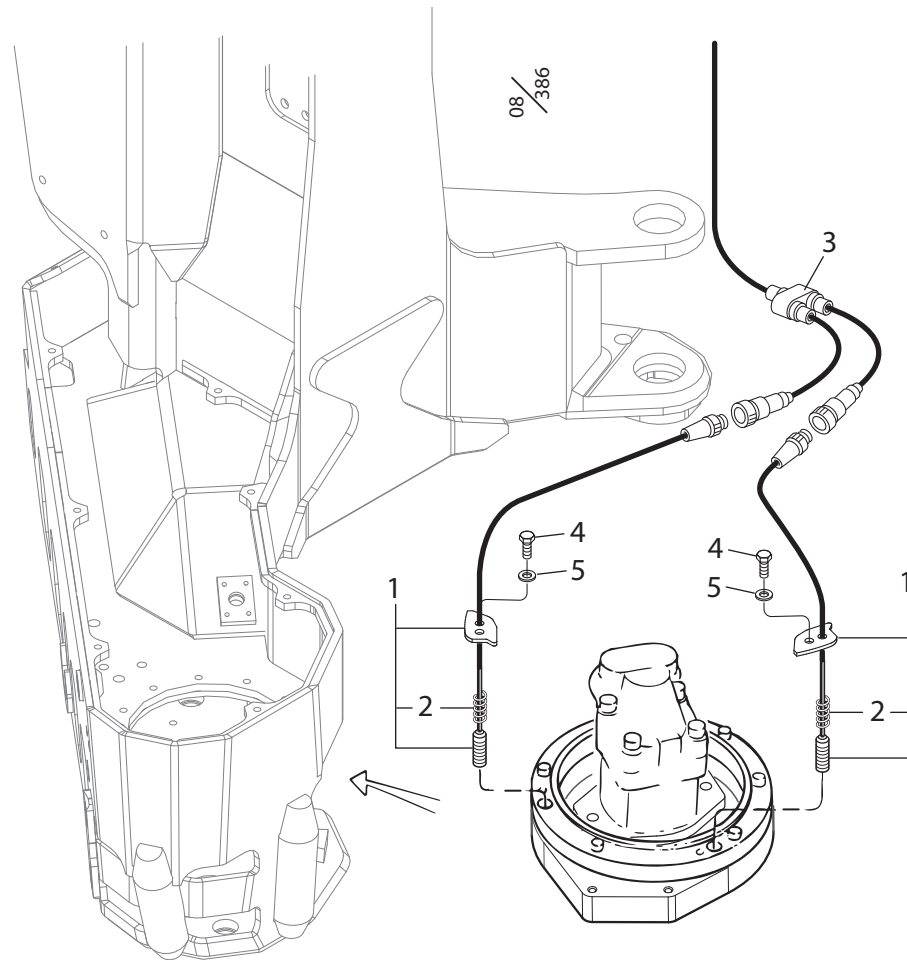
08 / 020

Log Max 6000B/Twin - IT / PC / VU



## IT/PC & VU

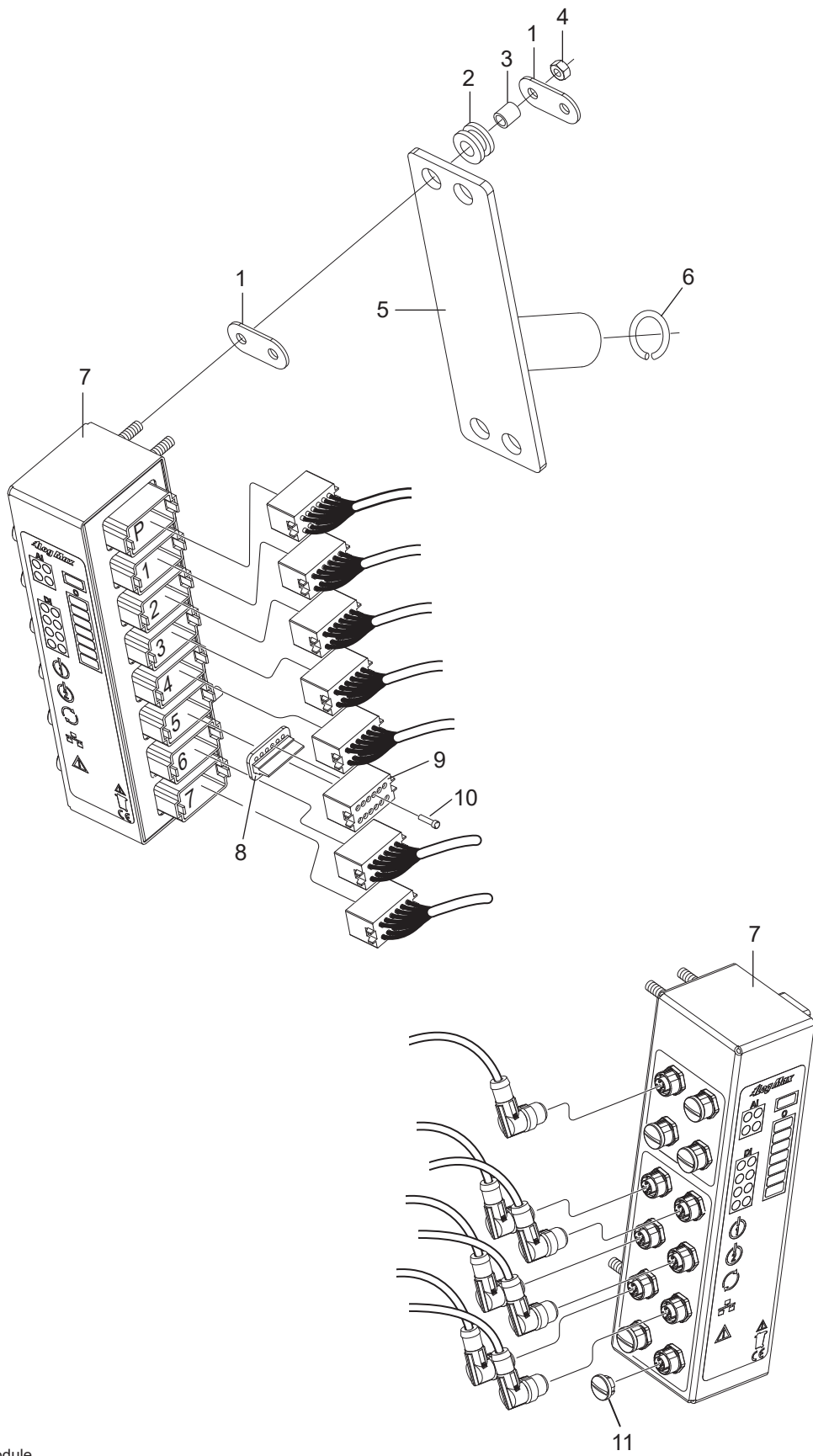
Structure 033680-2, 005926				
Pos.	Part no.	Quantity	Description	Specification
1	401232	1	Cable	"3"
2	401232	1	Cable	"4"
3	401232	1	Cable	"5"
4	401232	1	Cable	"17"
5	401296	1	Cable	"1"
6	401296	1	Cable	"2"
7	401296	1	Cable	"10"
8	401296	1	Cable	"9"
9	401296	1	Cable	"7"
10	401296	1	Cable	"8"
11	401232	1	Cable	"6"
12	016279	1	Magnetic sensor	"15"
13	016279	1	Magnetic sensor	"16"
14	017325	1	Cable	
15	401250	1	Cable	"20"
16	401250	1	Cable	"21"
17	401233	1	Cable	"23"
18	401025	1	Cable	"12/13"
19	402587	1	Sensor compl.	"14"
	013007	1	Magnetic sensor	Only / Endast IT/PC



Log Max 4000B/ 5000D/ 6000B/ 6000Twin/ 7000C/ 7000Twin/ E6

## Electrical system saw unit 98

Structure 006412				
Pos.	Part no.	Quantity	Description	Specification
1	017283	2	Magnetic sensor	
2	526030	2	Spring	
3	017325	1	Cable	Only / Endast Log Mate 500, Dasa Forester
4	501043	2	Screw	MC6S M6x12 12.9
5	503065	2	Washer	M6 Nordlock

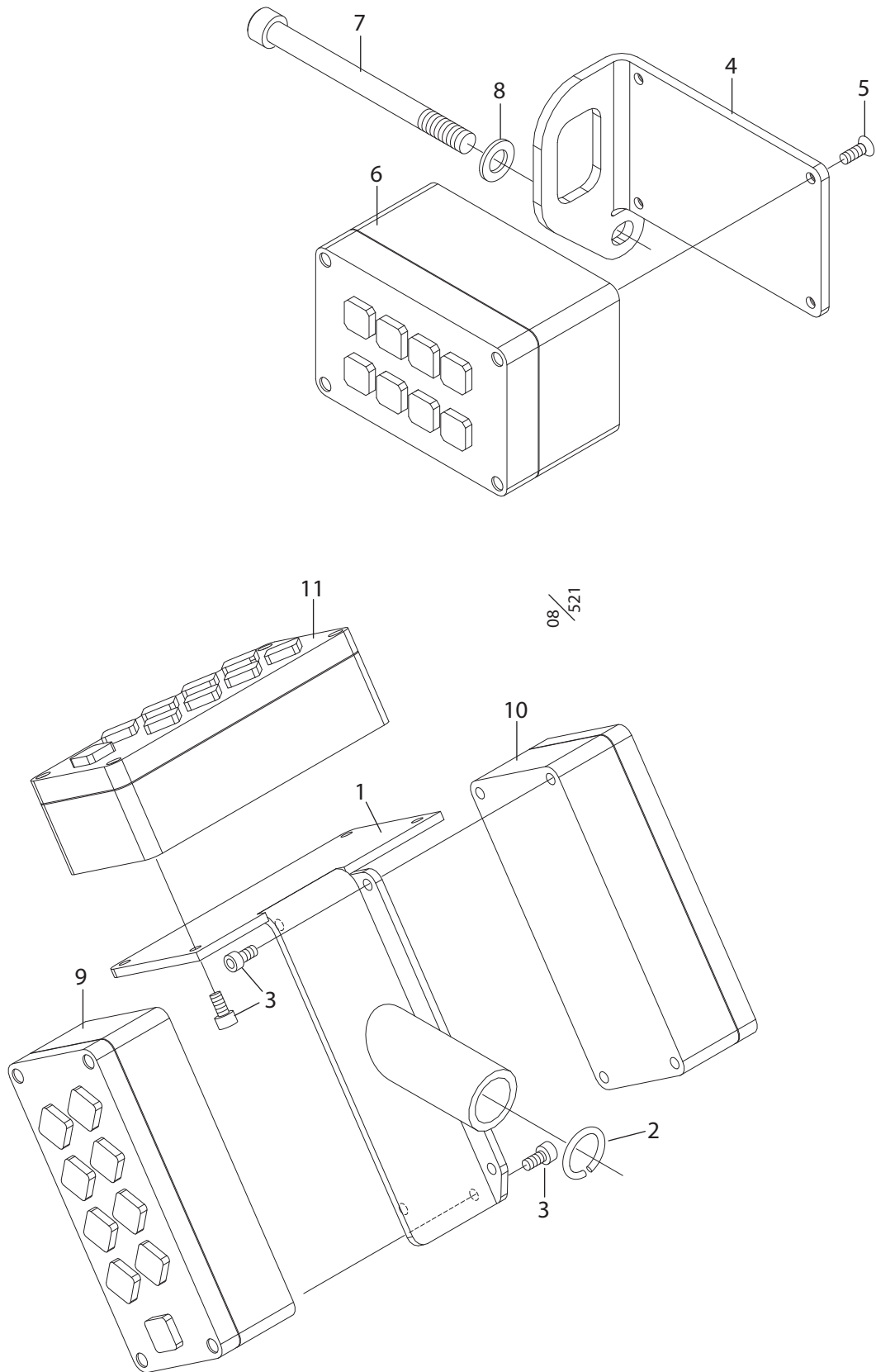


08 /  
026

Log Mate 510 Head Module

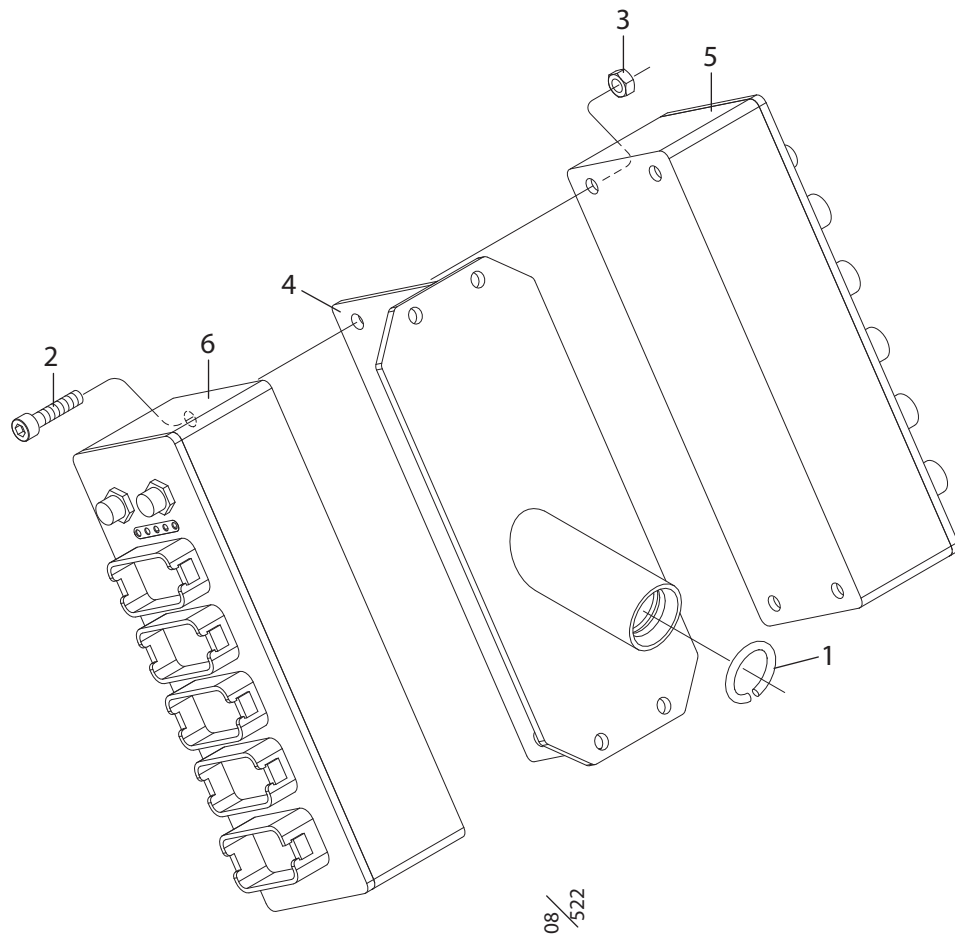
## Log Mate 510

Structure 033624-2, 045552				
Pos.	Part no.	Quantity	Description	Specification
1	016852	4	Washer	
2	402059	4	Rubber bushing	
3	402585	4	Spacer	6x10 – 9
4	502053	4	Nut	M6 Locking FZB
5	016854	1	Bracket	
6	517004	1	Circlip	
7	402610	1	Term box	
8	402086	Req / Erf	Wedge	DT06 12 – POL
9	402080	Req / Erf	Connector	DT06 – 12SBCE05
10	402077	Req / Erf	Plug	White / Vit
11	401310	Req / Erf	Cover	M12 Female / Hona



## Dasa 4 & Cabswin

Structure 033681, 033686, 033686-2				
Pos.	Part no.	Quantity	Description	Specification
1	014363	1	Bracket	
2	517004	1	Circlip	
3	501028	10	Screw	MC6S M5x16 12.9
4	014250	1	Bracket	
5	504019	4	Screw	MF6S M5x16 10.9
6	7032410	1	Box	D4CU Yellow / Gul
7	501104	1	Screw	MC6S 10x140 12.9
8	503057	1	Washer	M10 Nordlock
9	7009847	1	Box	D4I8I Red / Röd
10	7009845	1	Box	D408D Blue / Blå
11	7009846	1	Box	D408A Green / Grön

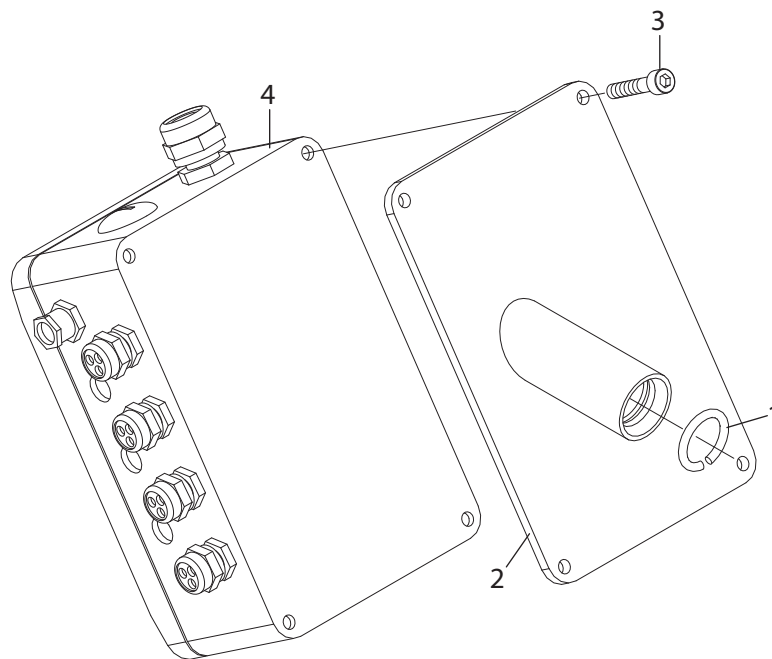


08/522



## Dasa Forester

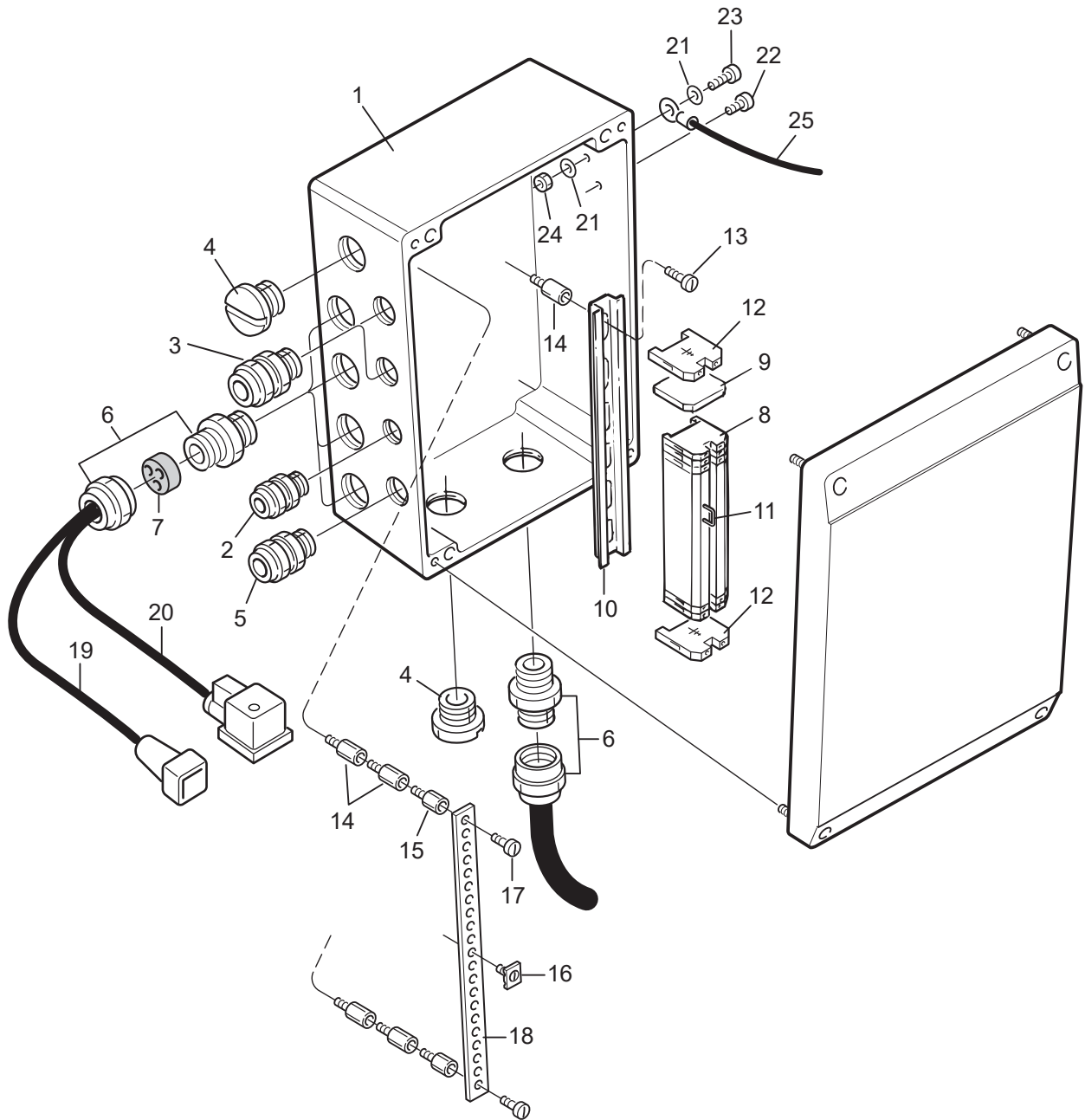
Structure 033623-2				
Pos.	Part no.	Quantity	Description	Specification
1	517004	1	Circlip	
2	501049	4	Screw	MC6S M6x30 12.9
3	502053	4	Nut	M6 Locking FZB
4	017555	1	Bracket	
5	7037701-R	1	Input box	Red / Röd
6	7037700-R	1	Output box	Green / Grön



08/523

## IT/PC & VU

Structure 033680-2, 033639-2				
Pos.	Part no.	Quantity	Description	Specification
1	517004	1	Circlip	
2	014360	1	Bracket	
3	501015	4	Screw	MC6S M4x16 12.9
4	402205	1	Term. box	

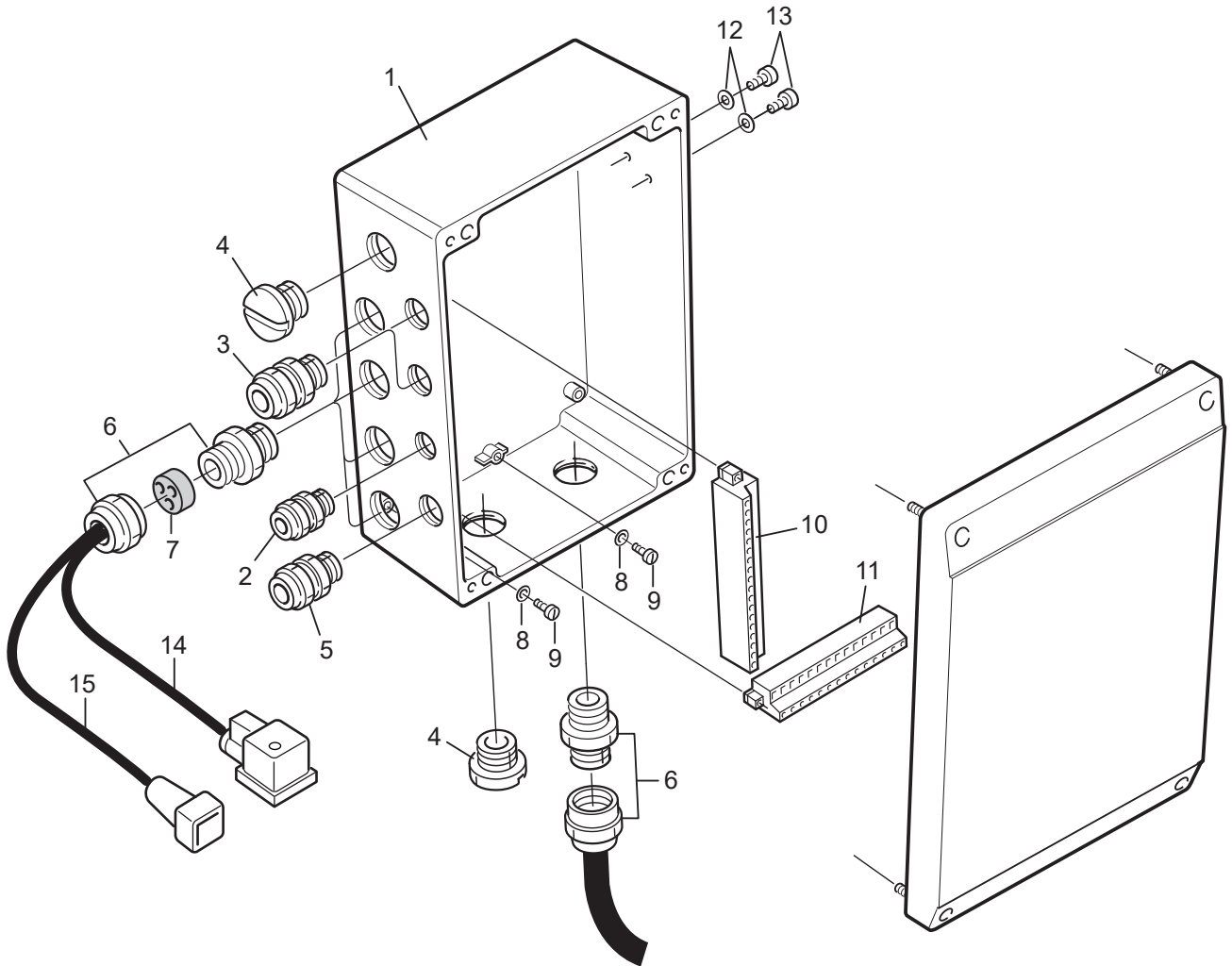


08 /  
459

Log Max Elláda VU

## Connection box VU

Structure 033639-2, 033680-2				
Pos.	Part no.	Quantity	Description	Specification
1	402205	1	Term. box	
2	401060	1	Cable sleeve	PG 7
3	401060	2	Cable sleeve	PG 7
	401282	2	Reducer	PG11 – PG 7
4	401071	2	Plug	PG 16
5	401093	1	Cable sleeve	PG 9
6	401157	5	Cable sleeve	PG 16
7	401096	4	Cable sealing	PG 16 3x6 mm
3	013207	1	Terminal cml	
8	401051	26	Terminal	AKZ 2.5
9	401052	1	End cover	AKZ 2.5
10	401054	1	Rail	TS15 L=200 mm
11	401058	1	Jumper	AKZ 4
12	401101	4	Ground connector	Yellow – Green / Gul – Grön
13	500513	2	Screw	MCS 4x5
14	402014	6	Spacer	M4x15
15	402014	2	Spacer	M4x15
16	401254	7	Ground connection	
17	500560	2	Screw	MCS 4x8
18	401253	1	Rail	Cu 12x3, 0.2M
19	401296	6	Cable with connector	L-90
20	401232	5	Cable with connector	1.5 m
21	503003	2	Washer	BRB FZB 5.3x10x1.0
22	500530	2	Screw	MCS 5x6
23	500532	2	Screw	MCS 5x10
24	502003	1	Nut	M6M M5
25	012605	1	Ground wire	



08 /  
458

Log Max Elláda IT/PC

## Terminal box IT/PC

Structure 005926, 033680-2				
Pos.	Part no.	Quantity	Description	Specification
1	402205	1	Term. box	
2	503002	4	Washer	BRB FZB 4.3x9.0x0.8
3	500513	4	Screw	MCS 4x5
4	401519	2	Terminal	MSTB-F 18-pin / 18-pol
5	401518	1	Terminal	MSTB-F 16-pin / 16-pol
6	503003	2	Washer	BRB FZB 5.3x10x1.0
7	500530	2	Screw	MCS 5x6
8	401071	2	Plug	PG 16
9	401060	2	Cable sleeve	PG 7
	401282	2	Reducer	PG11 – PG 7
10	401157	5	Cable sleeve	PG 16
11	401096	4	Cable sealing	PG 16 3x6 mm
12	401060	1	Cable sleeve	PG 7
13	401093	1	Cable sleeve	PG 9
14	401232	5	Cable with connector	1.5 m
15	401296	6	Cable with connector	L-90





## Hose kits

**Hose kit Log Max 6000TWIN**  
**General Hose Kit**

From Head no. 360040

Language en

Part No. 646700/360040

V. 211021

Crimp. = Crimp diameter | cyl. = cylinder | Ex. = External | L. = Left | Lo. = Lower | Mani. = Manifold  
Meas. Wheel = Measuring Wheel | No. = number | Pres. Rating = Pressure Rating | Red. = Reducer | R. = Right  
SBR = Saw Bar Rescue | Str. = Straight | Stump treatm. = Stump treatment | Tot. = Total | U. = Upper | WEOPI = WEO Plug-In

Hose no.	Connections		Fittings		Ferrules	Length	Hose type			Note		
	Connection 1	Connection 2	Fitting 1	Fitting 2			Part no.	Total	Size		Hose type	
											Part no.	Standard
615050	Hose guard					900 mm	1"					
	Felling link cyl.											
615051	Hose guard					650 mm	2"					
	L. Rollier motor											
615051	Hose guard					650 mm	2"					
	R. Rollier motor											
615047	Protective hose 10x6,7					260 mm	10x6,7					
	Upper Knife sensor											
646773	R. Lo. knife		BSP -02 Banjo		601531	128 mm	1/4"		615091			
	Grease hole frame		BSP -02 90		601527	110 mm	290 bar		EN 857 1SC			
646784	L. Lo. knife		BSP -02 Banjo		601531	88 mm	1/4"		615091			
	Grease hole frame		BSP -02 90		601527	70 mm	290 bar		EN 857 1SC			
646720	R. Manifold S2 A		BSP -04 Banjo		601149	1373 mm	1/4"		615071			
	L. Lo. Knife cyl. A		BSP -04 Banjo		601149	1320 mm	450 bar		EN 857 2SC			
646721	R. Manifold S2 B		BSP -04 Str.		601150	1575 mm	1/4"		615071			
	L. Lo. Knife cyl. B		BSP -04 Banjo		601149	1530 mm	450 bar		EN 857 2SC			
646722	R. Manifold S2 A		BSP -04 Banjo		601149	1353 mm	1/4"		615071			
	R. Lo. Knife cyl. A		BSP -04 Banjo		601149	1300 mm	450 bar		EN 857 2SC			
646723	R. Manifold S2 B		BSP -04 Str.		601150	1495 mm	1/4"		615071			
	R. Lo. Knife cyl. B		BSP -04 Banjo		601149	1450 mm	450 bar		EN 857 2SC			
646740	Air bleed oil tank		BSP -04 Banjo		601149	521 mm	1/4"		615071			
			BSP -04 Str. Ex.		601159	470 mm	450 bar		EN 857 2SC			

**Hose kit Log Max 6000TWIN**

Language **en**

**General Hose Kit**

Part No. **646700/360040**

From Head no. **360040**

V. 211021

Crimp. = Crimp diameter | cyl. = cylinder | Ex. = External | L. = Left | Lo. = Lower | Mani. = Manifold  
Meas. Wheel = Measuring Wheel | No. = number | Pres. Rating = Pressure Rating | Red. = Reducer | R. = Right  
SBR = Saw Bar Rescue | Str. = Straight | Stump treatm. = Stump treatment | Tot. = Total | U. = Upper | WEOPI = WEO Plug-In

Hose no.	Connections		Fittings		Ferrules Part no.	Length Total Cut	Hose type			Note
	Connection 1	Connection 2	Fitting 1	Part no.			Size	Pres. Rating	Standard	
			Fitting 2	Part no.						
646741	R. Manifold S5 A		BSP -04 90	601170	601125	814 mm	1/4"	615071	90°	
	R. Knife cyl. A		BSP -04 Banjo	601149	601125	770 mm	450 bar	EN 857 2SC		
646742	R. Manifold S5 B		BSP -04 Str.	601150	601125	406 mm	1/4"	615071		
	R. Knife cyl. B		BSP -04 90	601170	601125	370 mm	450 bar	EN 857 2SC		
646743	R. Manifold S5 B		BSP -04 90	601170	601125	465 mm	1/4"	615071	180°	
	L. Knife cyl. B		BSP -04 90	601170	601125	430 mm	450 bar	EN 857 2SC		
646744	R. Manifold S5 A		BSP -04 Str.	601150	601125	505 mm	1/4"	615071		
	L. Knife cyl. A		BSP -04 Banjo	601149	601125	460 mm	450 bar	EN 857 2SC		
646751	L. Manifold SM		BSP -04 90	601170	601125	216 mm	1/4"	615071		
	Test Point SM		BSP -04 Str.	601150	601125	180 mm	450 bar	EN 857 2SC		
646752	L. Manifold P2		BSP -04 90	601170	601125	226 mm	1/4"	615071		
	Test Point P2		BSP -04 Str.	601150	601125	190 mm	450 bar	EN 857 2SC		
646800	R. Manifold S1 PM2		BSP -04 90	601170	601125	920 mm	1/4"	615071	105°	
	L. Manifold PS		BSP -04 90	601160	601125	860 mm	450 bar	EN 857 2SC		
646801	L. Manifold A51		BSP -04 90	601160	601125	235 mm	1/4"	615071	345°	
	Accumulator		BSP -06 90	601533	601125	180 mm	450 bar	EN 857 2SC		
646745	L. Manifold A42		BSP -06 90	601171	601121	981 mm	3/8"	615072		
	L. Roller arm cyl. B		BSP -06 Str.	601151	601121	940 mm	385 bar	EN 857 2SC		
646746	L. Manifold B42		BSP -06 90	601171	601121	835 mm	3/8"	615072	180°	
	L. Roller arm cyl. A		BSP -06 Banjo	601148	601121	790 mm	385 bar	EN 857 2SC		
646747	L. Manifold B41		BSP -06 90	601171	601121	1035 mm	3/8"	615072	130°	
	R. Roller arm cyl. A		BSP -06 Banjo	601148	601121	990 mm	385 bar	EN 857 2SC		

**Hose kit Log Max 6000TWIN**

**General Hose Kit**

From Head no. 360040

Language en

Part No. 646700/360040

V. 211021

Crimp. = Crimp diameter | cyl. = cylinder | Ex. = External | L. = Left | Lo. = Lower | Mani. = Manifold  
 Meas. Wheel = Measuring Wheel | No. = number | Pres. Rating = Pressure Rating | Red. = Reducer | R. = Right  
 SBR = Saw Bar Rescue | Str. = Straight | Stump treatm. = Stump treatment | Tot. = Total | U. = Upper | WEOPI = WEO Plug-In

Hose no.	Connections		Fittings		Ferrules	Length	Hose type			Note		
	Connection 1	Connection 2	Fitting 1	Fitting 2			Part no.	Total	Size		Part no.	
											Pres. Rating	Standard
646748	L. Manifold A43		BSP -06 90		601171	1341 mm	3/8"	615072				
646749	R. Roller arm cyl. B		BSP -06 Str.		601151	1300 mm	385 bar	EN 857 2SC				
	L. Manifold A33		BSP -06 Str.		601151	1451 mm	3/8"	615072				
	Felling link cyl. A		BSP -06 90		601171	1410 mm	385 bar	EN 857 2SC				
646750	L. Manifold B3		BSP -06 90		601171	1471 mm	3/8"	615072				
	Felling link cyl. B		BSP -06 Str.		601151	1430 mm	385 bar	EN 857 2SC				
646754	R. Manifold S1 DR1		BSP -06 Banjo		601148	605 mm	3/8"	615072	90°			
	R. Roller motor 1		BSP -06 90		601171	560 mm	385 bar	EN 857 2SC				
646759	Meas. Wheel Arm		BSP -06 Str.		601151		3/8"	615072	Crimp. 22			
	Bracket					480 mm	385 bar	EN 857 2SC				
646802	Accumulator		BSP -06 Str.		601151	435 mm	3/8"	615072				
	Meas. Wheel cyl. B		BSP -06 45		601176	360 mm	385 bar	EN 857 2SC				
646803	Meas. Wheel cyl. A		BSP -06 90		601161	670 mm	3/8"	615072				
	L. Manifold B5		BSP -04 Banjo		601136	610 mm	385 bar	EN 857 2SC				
646804	L. Manifold DR		BSP -06 Str.		601151	385 mm	3/8"	615072				
	R. Manifold S1 DR2		BSP -06 45		601176	310 mm	385 bar	EN 857 2SC				
646805	L. Manifold B43		BSP -06 45		601176	520 mm	3/8"	615072	240°			
	Accumulator		BSP -06 45		601176	420 mm	385 bar	EN 857 2SC				
646806	R. Manifold S1 DR2		BSP -06 45		601176	1083 mm	3/8"	615072				
	L. Roller motor DR		BSP -06 90		601171	1020 mm	385 bar	EN 857 2SC				
646734	R. Manifold S3 A		BSP -08 Str.		601152	735 mm	1/2"	615035				
	R. Roller motor R		BSP -08 90		601172	690 mm	470 bar	EN 857 2SC				

**Hose kit Log Max 6000TWIN**

Language **en**

**General Hose Kit**

Part No. **646700/360040**

From Head no. **360040**

V. 211021

Crimp. = Crimp diameter | cyl. = cylinder | Ex. = External | L. = Left | Lo. = Lower | Mani. = Manifold  
Meas. Wheel = Measuring Wheel | No. = number | Pres. Rating = Pressure Rating | Red. = Reducer | R. = Right  
SBR = Saw Bar Rescue | Str. = Straight | Stump treatm. = Stump treatment | Tot. = Total | U. = Upper | WEOPI = WEO Plug-In

Hose no.	Connections		Fittings		Ferrules	Length	Hose type			Note	
	Connection 1	Connection 2	Fitting 1	Part no.			Total	Size	Part no.		Standard
			Fitting 2								
646735	R. Manifold S4 A		BSP -08 Str.	601152	601130	Total	1/2"	615035			
	L. Roller motor L		BSP -08 90	601172	601130	Cut	470 bar	EN 857 2SC			
646736	R. Manifold S4 B		BSP -08 Str.	601152	601130	Total	1/2"	615035			
	L. Roller motor R		BSP -08 90	601172	601130	Cut	470 bar	EN 857 2SC			
646738	R. Manifold S1 PR		BSP -08 Str.	601152	601122	Total	1/2"	615073			
	L. Manifold P3		BSP -08 Banjo	601184	601122	Cut	345 bar	EN 857 2SC			
646739	R. Manifold S1 T3		BSP -08 Str.	601152	601122	Total	1/2"	615073			
	L. Manifold T3		BSP -08 Banjo	601184	601122	Cut	345 bar	EN 857 2SC			
646755	R. Manifold S3 B		BSP -08 Str.	601152	601130	Total	1/2"	615035			
	R. Roller motor L		BSP -08 90	601172	601130	Cut	470 bar	EN 857 2SC			

**Hose kit Log Max 6000TWIN**

**Saw 98 XI**

From Head no. 360020

Language **en**

Part No. **646703/360020**

V. 211021

Crimp. = Crimp diameter | cyl. = cylinder | Ex. = External | L. = Left | Lo. = Lower | Mani. = Manifold  
 Meas. Wheel = Measuring Wheel | No. = number | Pres. Rating = Pressure Rating | Red. = Reducer | R. = Right  
 SBR = Saw Bar Rescue | Str. = Straight | Stump treatm. = Stump treatment | Tot. = Total | U. = Upper | WEOPI = WEO Plug-In

Hose no.	Connections		Fittings		Ferrules	Length	Hose type			Note	
	Connection 1	Connection 2	Fitting 1	Fitting 2			Part no.	Total	Size		Part no.
646724	L. Manifold B1		BSP -04 90		601170	Total	1924 mm	1/4"	615071		
						Cut					1880 mm
646725	Saw bar feed cyl. A		BSP -04 Banjo		601149	Total	2143 mm	1/4"	615071		
						Cut					2090 mm
646775	Easy Greasy		BSP -04 Banjo		601149	Total	264 mm	1/4"	615071		
						Cut					220 mm
646774	R. Manifold S1 DR4		BSP -06 90		601171	Total	2105 mm	3/8"	615072		
						Cut					2060 mm
646771	Saw motor valve SP		BSP -12 Str.		601153	Total	1303 mm	3/4"	615005		
						Cut					1250 mm
646772	R. Manifold S1 T4		BSP -12 Str.		601153	Total	1823 mm	3/4"	615074		
						Cut					1730 mm

**Hose kit Log Max 6000TWIN**

Language **en**

**SuperCut 100 - 19cc**

Part No. **646704/360020**

From Head no. **360020**

V. 211021

Crimp. = Crimp diameter | cyl. = cylinder | Ex. = External | L. = Left | Lo. = Lower | Mani. = Manifold  
Meas. Wheel = Measuring Wheel | No. = number | Pres. Rating = Pressure Rating | Red. = Reducer | R. = Right  
SBR = Saw Bar Rescue | Str. = Straight | Stump treatm. = Stump treatment | Tot. = Total | U. = Upper | WEOPI = WEO Plug-In

Hose no.	Connections		Fittings		Ferrules	Length	Hose type			Note	
	Connection 1	Connection 2	Fitting 1	Part no.			Part no.	Size	Pres. Rating		Standard
			Fitting 2								
646760	L. Manifold A1		BSP -06 90	601161	601121	1942 mm	3/8"	615072			
	Saw bar feed cyl. B		BSP -06 90	601171	601121	1890 mm	385 bar	EN 857 2SC			
646761	L. Manifold B1		BSP -06 90	601171	601121	1752 mm	3/8"	615072			
	Saw bar feed cyl. A		BSP -06 90	601171	601121	1710 mm	385 bar	EN 857 2SC			
646762	Easy Greasy		BSP -02 90	601527	601539	305 mm	1/4"	615091			
	Saw motor R		BSP -02 90	601527	601539	270 mm	290 bar	EN 857 1SC			
646763	Grease hole frame		BSP -02 90	601527	601539	185 mm	1/4"	615091			
	Saw motor T		BSP -02 90	601527	601539	150 mm	290 bar	EN 857 1SC			
646764	R. Manifold S1 PS1		BSP -02 90	601527	601539	2344 mm	1/4"	615091			
	Saw motor S		BSP -04 90	601160	601539	2300 mm	290 bar	EN 857 1SC			
646765	R. Manifold S1 DR4		BSP -06 90	601171	601121	2155 mm	3/8"	615072	230°		
	Saw motor D		BSP -06 Banjo	601148	601121	2110 mm	385 bar	EN 857 2SC			
646771	Saw motor valve SP		BSP -12 Str.	601153	601371	1303 mm	3/4"	615005			
	Saw motor A		BSP -12 Str.	601153	601371	1250 mm	375 bar	EN 857 2SC			
646772	R. Manifold S1 T4		BSP -12 Str.	601153	601123	1823 mm	3/4"	615074			
	Saw motor B		BSP -12 45	601178	601123	1730 mm	280 bar	EN 857 2SC			
646781	Stump treatment		BSP -04 Str.	601150	601125	1867 mm	1/4"	615071			
			BSP -04 Str.	601150	601125	1830 mm	450 bar	EN 857 2SC			

**Hose kit Log Max 6000TWIN**  
**SuperCut 100 - 30cc**

From Head no. 360012

Language **en**

Part No. **646705/360012**

V. 211021

Crimp. = Crimp diameter | cyl. = cylinder | Ex. = External | L. = Left | Lo. = Lower | Mani. = Manifold  
 Meas. Wheel = Measuring Wheel | No. = number | Pres. Rating = Pressure Rating | Red. = Reducer | R. = Right  
 SBR = Saw Bar Rescue | Str. = Straight | Stump treatm. = Stump treatment | Tot. = Total | U. = Upper | WEOPI = WEO Plug-In

Hose no.	Connections		Fittings		Ferrules	Length	Hose type			Note	
	Connection 1	Connection 2	Fitting 1	Part no.			Total	Size	Part no.		Note
			Fitting 2								
646762	Easy Greasy		BSP -02 90	601527	601539	305 mm	1/4"	615091			
	Saw motor R		BSP -02 90	601527	601539	270 mm	290 bar	EN 857 1SC			
646763	Grease hole frame		BSP -02 90	601527	601539	185 mm	1/4"	615091			
	Saw motor T		BSP -02 90	601527	601539	150 mm	290 bar	EN 857 1SC			
646764	R. Manifold S1 PS1		BSP -02 90	601527	601539	2344 mm	1/4"	615091			
	Saw motor S		BSP -04 90	601160	601539	2300 mm	290 bar	EN 857 1SC			
646781	Stump treatment		BSP -04 Str.	601150	601125	1867 mm	1/4"	615071			
			BSP -04 Str.	601150	601125	1830 mm	450 bar	EN 857 2SC			
646760	L. Manifold A1		BSP -06 90	601161	601121	1942 mm	3/8"	615072			
	Saw bar feed cyl. B		BSP -06 90	601171	601121	1890 mm	385 bar	EN 857 2SC			
646761	L. Manifold B1		BSP -06 90	601171	601121	1752 mm	3/8"	615072			
	Saw bar feed cyl. A		BSP -06 90	601171	601121	1710 mm	385 bar	EN 857 2SC			
646768	R. Manifold S1 DR4		BSP -06 90	601171	601121	1962 mm	3/8"	615072			
	Saw motor D		BSP -06 90	601161	601121	1910 mm	385 bar	EN 857 2SC			
646766	Saw motor valve SP		BSP -12 Str.	601153	601371	1228 mm	3/4"	615005			
	Saw motor A		BSP -12 Str.	601153	601371	1175 mm	375 bar	EN 857 2SC			
646767	R. Manifold S1 T4		BSP -12 Str.	601153	601123	1793 mm	3/4"	615074			
	Saw motor B		BSP -12 45	601178	601123	1700 mm	280 bar	EN 857 2SC			



**Hose kit Log Max 6000TWIN**

Language **en**

**Rotator control**

Part No. **646707/360001**

From Head no. 360001

V. 211021

Crimp. = Crimp diameter | cyl. = cylinder | Ex. = External | L. = Left | Lo. = Lower | Mani. = Manifold  
 Meas. Wheel = Measuring Wheel | No. = number | Pres. Rating = Pressure Rating | Red. = Reducer | R. = Right  
 SBR = Saw Bar Rescue | Str. = Straight | Stump treatm. = Stump treatment | Tot. = Total | U. = Upper | WEOPI = WEO Plug-In

Hose no.	Connections		Fittings		Ferrules	Length	Hose type			Note	
	Connection 1	Connection 2	Fitting 1	Part no.			Total	Size	Part no.		Standard
			Fitting 2								
646776	L. Manifold A2		BSP -04 90	601170	601125	1836 mm	1/4"	615071	615071	Marked A	
	Hose 9272 A		BSP -04 Str.	601150	601125	1800 mm	450 bar	EN 857 2SC	EN 857 2SC		
646777	L. Manifold B2		BSP -04 90	601170	601125	1836 mm	1/4"	615071	615071	Marked B	
	Hose 9272 B		BSP -04 Str.	601150	601125	1800 mm	450 bar	EN 857 2SC	EN 857 2SC		
646778	Hose 9272 A		BSP -04 Str.	601150	601125	885 mm	1/4"	615071	615071	Marked A	
	Rotator A		BSP -04 Banjo	601149	601125	840 mm	450 bar	EN 857 2SC	EN 857 2SC		
646779	Hose 9272 B		BSP -04 Str.	601150	601125	885 mm	1/4"	615071	615071	Marked B	
	Rotator B		BSP -04 Banjo	601149	601125	840 mm	450 bar	EN 857 2SC	EN 857 2SC		

**Hose kit Log Max 6000TWIN**

**Crane kit EcoLog**

From Head no. xxxxxxx

Language en

Part No. 646708/XXXXXX

V. 211021

Crimp. = Crimp diameter | cyl. = cylinder | Ex. = External | L. = Left | Lo. = Lower | Mani. = Manifold  
 Meas. Wheel = Measuring Wheel | No. = number | Pres. Rating = Pressure Rating | Red. = Reducer | R. = Right  
 SBR = Saw Bar Rescue | Str. = Straight | Stump treatm. = Stump treatment | Tot. = Total | U. = Upper | WEOPI = WEO Plug-In

Hose no.	Connections		Fittings		Ferrules	Length	Hose type			Note	
	Connection 1	Connection 2	Fitting 1	Fitting 2			Part no.	Total	Size		Part no.
646780	Stump treatm. Hose		BSP -04 Str.		601150	1746 mm	1/4"	615071			
											601125
649118	Adapter		BSP -04 90		601170	1710 mm	1"	615084		Marked P	
											601142
649119	Crane	R. Manifold S1 P	BSP -16 Str.		601157	3300 mm	1"	615084		Marked T	
											601142
649120	Crane	R. Manifold S1 T	BSP -16 Str.		601157	3300 mm	1/2"	615035		Marked DR	
											601130
649121	Crane	Stump treatm. 1	BSP -04 Str.		601150	3650 mm	1/4"	615071		Marked STUMP	
											601125

**Hose kit Log Max 6000TWIN**

Language **en**

**Swiroll**

Part No. **646709-JJ/025**

From Head no. **360025**

V. 211021

Crimp. = Crimp diameter | cyl. = cylinder | Ex. = External | L. = Left | Lo. = Lower | Mani. = Manifold  
 Meas. Wheel = Measuring Wheel | No. = number | Pres. Rating = Pressure Rating | Red. = Reducer | R. = Right  
 SBR = Saw Bar Rescue | Str. = Straight | Stump treatm. = Stump treatment | Tot. = Total | U. = Upper | WEOPI = WEO Plug-In

Hose no.	Connections		Fittings		Ferrules	Length	Hose type			Note	
	Connection 1	Connection 2	Fitting 1	Part no.			Total	Size	Part no.		Standard
			Fitting 2								
646785	Swiroll P		JIC -16 Str.	601186	601142	1411 mm	1"	615084	P		
	R. Manifold P		JIC -16 Str.	601186	601142	1330 mm	345 bar	SAE 100 R13			
646786	Swiroll T		JIC -16 Str.	601186	601142	1391 mm	1"	615084	T		
	R. Manifold T		JIC -16 Str.	601186	601142	1310 mm	345 bar	SAE 100 R13			
646787	Swiroll EL		JIC -12 Str.	601218	601371	1313 mm	3/4"	615083	EL		
	Mani. Bracket EL		JIC -12 Str.	601218	601371	1270 mm	345 bar	SAE 100 R13			
646788	Swiroll DR		JIC -10 Str.	601181	601130	1357 mm	1/2"	615035	DR		
	Mani. Bracket DR		JIC -10 Str.	601181	601130	1320 mm	470 bar	EN 857 2SC			

**Hose kit Log Max 6000TWIN**  
**Color marking equipment**  
From Head no. 3600XX

Language **en**  
Part No. **646710/3600XX**  
V. 211021

Crimp. = Crimp diameter | cyl. = cylinder | Ex. = External | L. = Left | Lo. = Lower | Mani. = Manifold  
Meas. Wheel = Measuring Wheel | No. = number | Pres. Rating = Pressure Rating | Red. = Reducer | R. = Right  
SBR = Saw Bar Rescue | Str. = Straight | Stump treatm. = Stump treatment | Tot. = Total | U. = Upper | WEOPI = WEO Plug-In

Hose no.	Connections		Fittings		Ferrules	Length	Hose type			Note
	Connection 1	Connection 2	Fitting 1	Fitting 2			Part no.	Size	Part no.	
					Part no.	Total	Pres. Rating	Standard		
615049	Hose guard					1900 mm	3/4"			
615055	Hose guard					600 mm	1/2"			
646789	L. Manifold PM		BSP -02 Banjo		601531	26 mm	1/4"	615091	90°	
	Color Pump P		BSP -04 90		601160		290 bar	EN 857 1SC		
646790	R. Manifold S1 DR5		BSP -02 Banjo		601531	26 mm	1/4"	615091	90°	
	Color Pump DR		BSP -04 90		601160		290 bar	EN 857 1SC		
646791	L. Color tank		BSP -04 Banjo		601149	27 mm	1/4"	615091		
	Adaptor 1		BSP -02 Str.		601529		290 bar	EN 857 1SC		
646792	R. Color tank		BSP -04 Banjo		601149	27 mm	1/4"	615091		
	Adaptor 2		BSP -02 Str.		601529		290 bar	EN 857 1SC		
646793	Adaptor 1		BSP -02 Str.		601529	26 mm	1/4"	615091		
	Color Pump C1T		BSP -04 90		601160		290 bar	EN 857 1SC		
646794	Adaptor 2		BSP -02 Str.		601529	26 mm	1/4"	615091		
	Color Pump C2T		BSP -04 90		601160		290 bar	EN 857 1SC		
646795	Color Pump C1P		BSP -02 90		601527	18 mm	1/4"	615091		
	Color Block 1		BSP -02 Str.		601529		290 bar	EN 857 1SC		
646796	Color Pump C2P		BSP -02 90		601527	18 mm	1/4"	615091		
	Color Block 2		BSP -02 Str.		601529		290 bar	EN 857 1SC		

**Hose kit Log Max 6000TWIN**

Language **en**

**Hydraulic upper knife**

Part No. **646711/360029**

From Head no. 360029

V. 211021

Crimp. = Crimp diameter | cyl. = cylinder | Ex. = External | L. = Left | Lo. = Lower | Mani. = Manifold  
 Meas. Wheel = Measuring Wheel | No. = number | Pres. Rating = Pressure Rating | Red. = Reducer | R. = Right  
 SBR = Saw Bar Rescue | Str. = Straight | Stump treatm. = Stump treatment | Tot. = Total | U. = Upper | WEOPI = WEO Plug-In

Hose no.	Connections		Fittings		Ferrules	Length	Hose type			Note	
	Connection 1	Connection 2	Fitting 1	Part no.			Total	Size	Part no.		Standard
			Fitting 2								
646797	L. Manifold T4		BSP -04 Banjo	601149	601539	833 mm	1/4"	615091			
	U. knife Cyl. A		BSP -04 Banjo	601149	601539	780 mm	290 bar	EN 857 1SC			
646798	L. Manifold A		BSP -04 Banjo	601149	601539	793 mm	1/4"	615091			
	U. knife Cyl. B		BSP -04 Banjo	601149	601539	740 mm	290 bar	EN 857 1SC			

**Hose kit Log Max 6000TWIN**  
**Universal kit**  
 From Head no. 360XXX

Language **en**  
 Part No. **646712/XXXXXX**  
 V. 211021

Crimp. = Crimp diameter | cyl. = cylinder | Ex. = External | L. = Left | Lo. = Lower | Mani. = Manifold  
 Meas. Wheel = Measuring Wheel | No. = number | Pres. Rating = Pressure Rating | Red. = Reducer | R. = Right  
 SBR = Saw Bar Rescue | Str. = Straight | Stump treatm. = Stump treatment | Tot. = Total | U. = Upper | WEOPI = WEO Plug-In

Hose no.	Connections		Fittings		Ferrules	Length	Hose type			Note	
	Connection 1	Connection 2	Fitting 1	Fitting 2			Part no.	Total	Size		Part no.
649050	Crane		BSP -12 Str.		601153	601371		3/4"	615083	Marked EL	
	Bracket frame		BSP -12 Str.		601153	601371	3620 mm	345 bar	SAE 100 R13		
649118	Crane		BSP -16 Str.		601157	601142	3300 mm	1"	615084	Marked P	
	R. Manifold S1 P		BSP -16 Str.		601157	601142	3300 mm	345 bar	SAE 100 R13		
649119	Crane		BSP -16 Str.		601157	601142	3300 mm	1"	615084	Marked T	
	R. Manifold S1 T		BSP -16 Str.		601157	601142	3300 mm	345 bar	SAE 100 R13		
649120	Crane		BSP -08 Str.		601152	601130	3340 mm	1/2"	615035	Marked DR	
	R. Manifold S1 DR3		BSP -08 Str.		601152	601130	3340 mm	470 bar	EN 857 2SC		

**Hose kit Log Max 6000TWIN**

Language **en**

**Miscellaneous hoses**

Part No. **646719/XXXXXX**

From Head no. **XXXXXX**

V. 211021

Crimp. = Crimp diameter | cyl. = cylinder | Ex. = External | L. = Left | Lo. = Lower | Mani. = Manifold  
 Meas. Wheel = Measuring Wheel | No. = number | Pres. Rating = Pressure Rating | Red. = Reducer | R. = Right  
 SBR = Saw Bar Rescue | Str. = Straight | Stump treatm. = Stump treatment | Tot. = Total | U. = Upper | WEOPI = WEO Plug-In

Hose no.	Connections		Fittings		Ferrules	Length	Hose type			Note	
	Connection 1	Connection 2	Fitting 1	Part no.			Total	Size	Part no.		Standard
			Fitting 2								
646780	Stump treatm. Hose	Adapter	BSP -04 Str.	601150	601125	1746 mm	1/4"	615071	615071	STUMP	
			BSP -04 90	601170	601125	1710 mm	450 bar	EN 857 2SC			
646782	Protective hose					840 mm	1/4"	615071	615071		
											L. Roller motor
646783	Protective hose					740 mm	1/4"	615071	615071		
											R. Roller motor
646799	Swivel	Saw bar holder	BSP -04 Str.	601150	601539	337 mm	1/4"	615091	615091	STUMP	
			BSP -04 Str.	601150	601539	300 mm	290 bar	EN 857 1SC			





**Log Max**

HEADS ABOVE THE COMPETITION

**6000TWIN**

**Log Max**

HEADS ABOVE THE COMPETITION

**6000TWIN**

**Log Max**

HEADS ABOVE THE COMPETITION

**6000TWIN**

**Log Max**

HEADS ABOVE THE COMPETITION

**6000TWIN**

**Log Max**

HEADS ABOVE THE COMPETITION

**6000TWIN**

**Log Max**

HEADS ABOVE THE COMPETITION

**6000TWIN**

**Log Max**

HEADS ABOVE THE COMPETITION

**6000TWIN**

Sparsø ølst-  
katalog

360042-

ØM

Sparsø ølst-  
katalog

360042-

ØM

Sparsø ølst-  
katalog

360042-

ØM

Sparsø ølst-  
katalog

360042-

ØM

Sparsø ølst-  
katalog

360042-

ØM

Sparsø ølst-  
katalog

360042-

ØM

Sparsø ølst-  
katalog

360042-

ØM