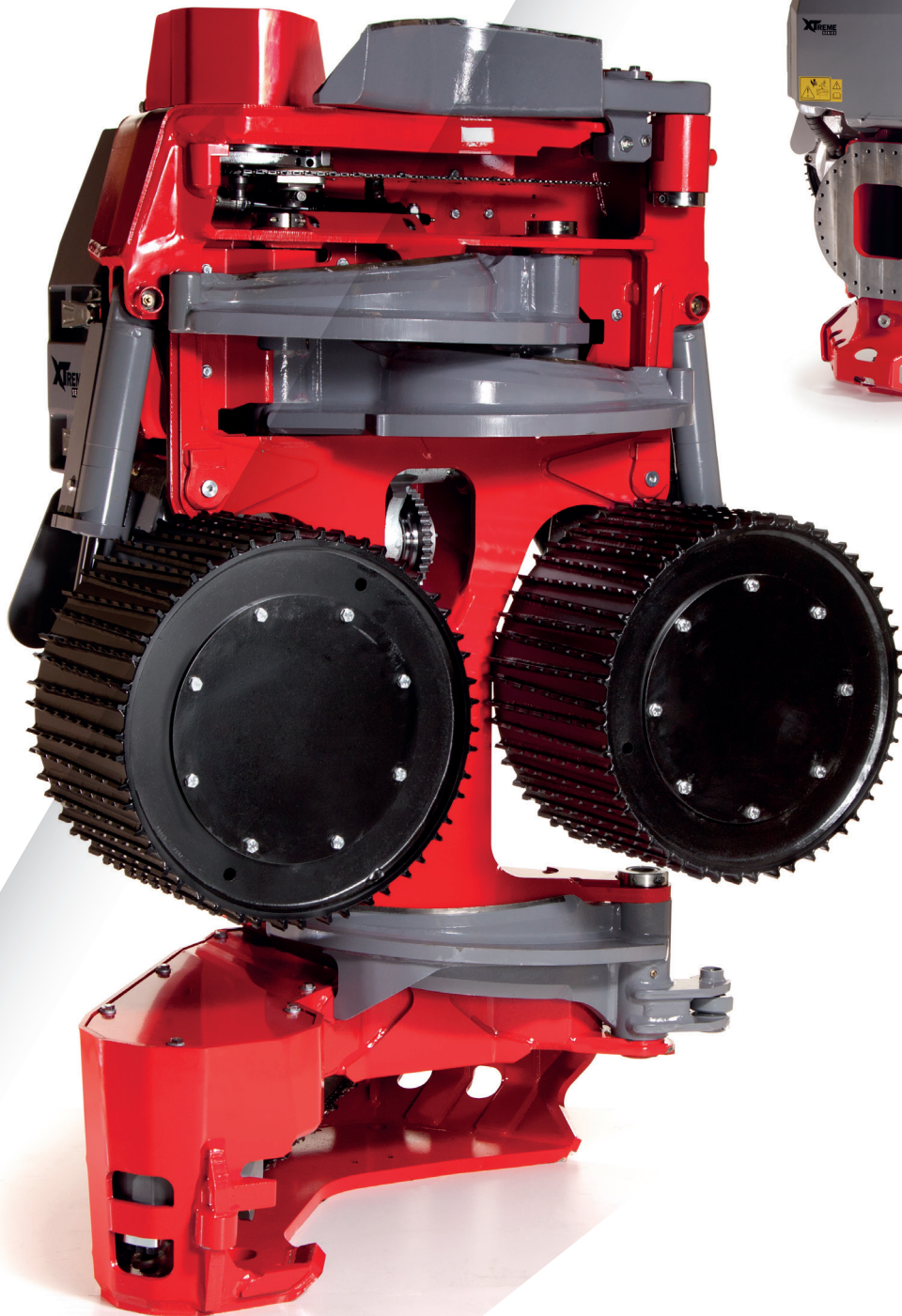


**Log Max**

# 7000XT Fixed Head

Spare part manual



[www.logmax.com](http://www.logmax.com)

Ver. 1.5





---

Stationsvägen 12 - 77013 Grangärde - SWEDEN  
Phone: +46 240 59 11 00  
info@logmax.com www.logmax.com

**Applies to serial number: 470062-**

# Contents

<b>1. Frame and protection .....</b>	<b>9</b>
Frame with protective cover.....	11
<b>2. Delimiting unit .....</b>	<b>17</b>
Delimiting unit.....	19
Lower knife .....	23
Upper knife .....	27
Hydraulic upper knife .....	29
<b>3. Feeding unit.....</b>	<b>31</b>
Roller arms .....	33
Feed roller arms MS11, assembly .....	37
Feed roller motors V12 .....	39
Feed rollers, V-steel V12 .....	43
Feed rollers, V-steel MS11.....	45
Feed rollers, steel V12.....	47
Feed rollers, steel MS11 .....	49
Reduction gear Brevini.....	51
Reduction gear Bonfiglioli .....	53
<b>4. Measuring .....</b>	<b>55</b>
Measuring wheel.....	57
Diameter measuring .....	61
<b>5. Saw unit .....</b>	<b>63</b>
Saw unit, top saw 98XL .....	65
Top saw, hydraulics.....	69
Top saw, manifold.....	73
Top saw, manifold .....	75
411XL (option) .....	77
Saw 411XL & 418 hydraulics .....	81
Super Greasy hydraulics .....	85
Super Greasy .....	89
Main saw, 418 (standard).....	91
Saw unit 518 .....	95
Tension device saw unit 518.....	99
Bar holder #7 15 mm STD.....	101
Saw 518 hydraulics.....	103
<b>6. Rotation unit .....</b>	<b>107</b>
Rotation unit.....	109
<b>7. Accessories .....</b>	<b>113</b>
Tool kit.....	115
Edge cover.....	117
Slide hammer kit.....	119
Find End .....	121
Find End photocell.....	123
Allen key .....	125
Tools, Saw 411H, 418H .....	127
SureGrip .....	129

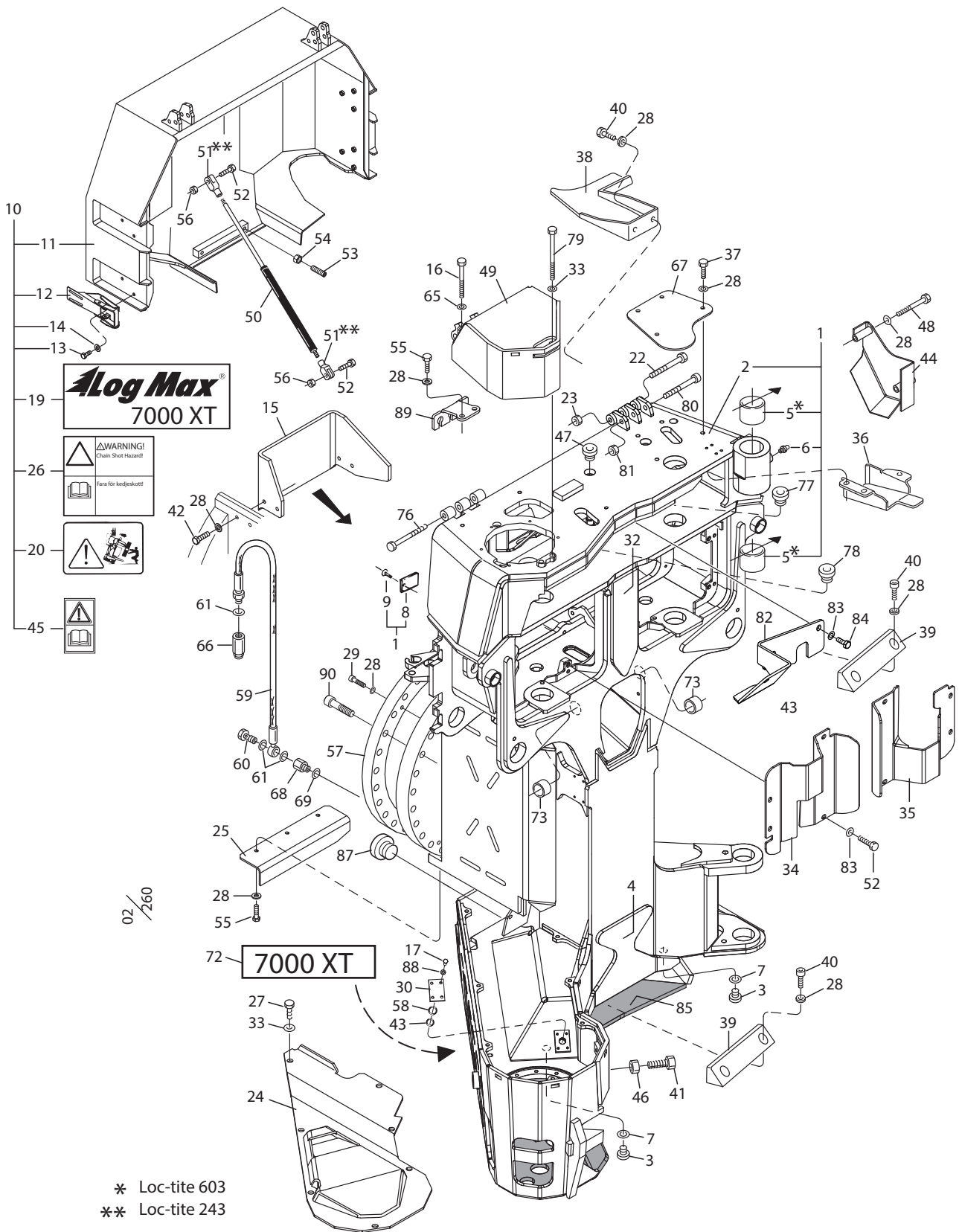
Electrical controlled measuring wheel .....	131
Low pressure control .....	133
Active friction control.....	135
Bypass valve.....	137
<b>8. Hydraulic system .....</b>	<b>139</b>
Hydraulic system .....	141
Hydraulic system, left manifold .....	145
Right main manifold .....	147
Right manifold, major functions valve sections .....	149
Tie rods.....	151
Right main manifold, major functions spool controls .....	153
Delimiting knife section L-90 compensators.....	155
Right main manifold, major functions L-90 .....	157
End section, L-90.....	159
Inlet section EC - K170 valve .....	161
Feeding section EC - K170 valve .....	163
Feeding section PC K170 valve .....	165
Compensator plug, feeding unit .....	167
Relief valves, feed sections K170 valve .....	169
Midsection, K170 valve.....	171
Hydraulic cylinder 63/40.....	173
Rod kit .....	175
Hydraulic cylinder 63/40.....	177
Hydraulic cylinder 25/16-45.....	179
Saw cylinder 40/25.....	181
Hydraulic cylinder.....	183
<b>9. Control system .....</b>	<b>185</b>
Electrical system.....	187
Electrical system saw unit 411, 418, 518.....	189
Log Mate 500 .....	191
Terminal box, IT/PC 402.....	193
Lower connection box .....	195
Dasa brackets and boxes .....	197
<b>10. Hose kits .....</b>	<b>199</b>





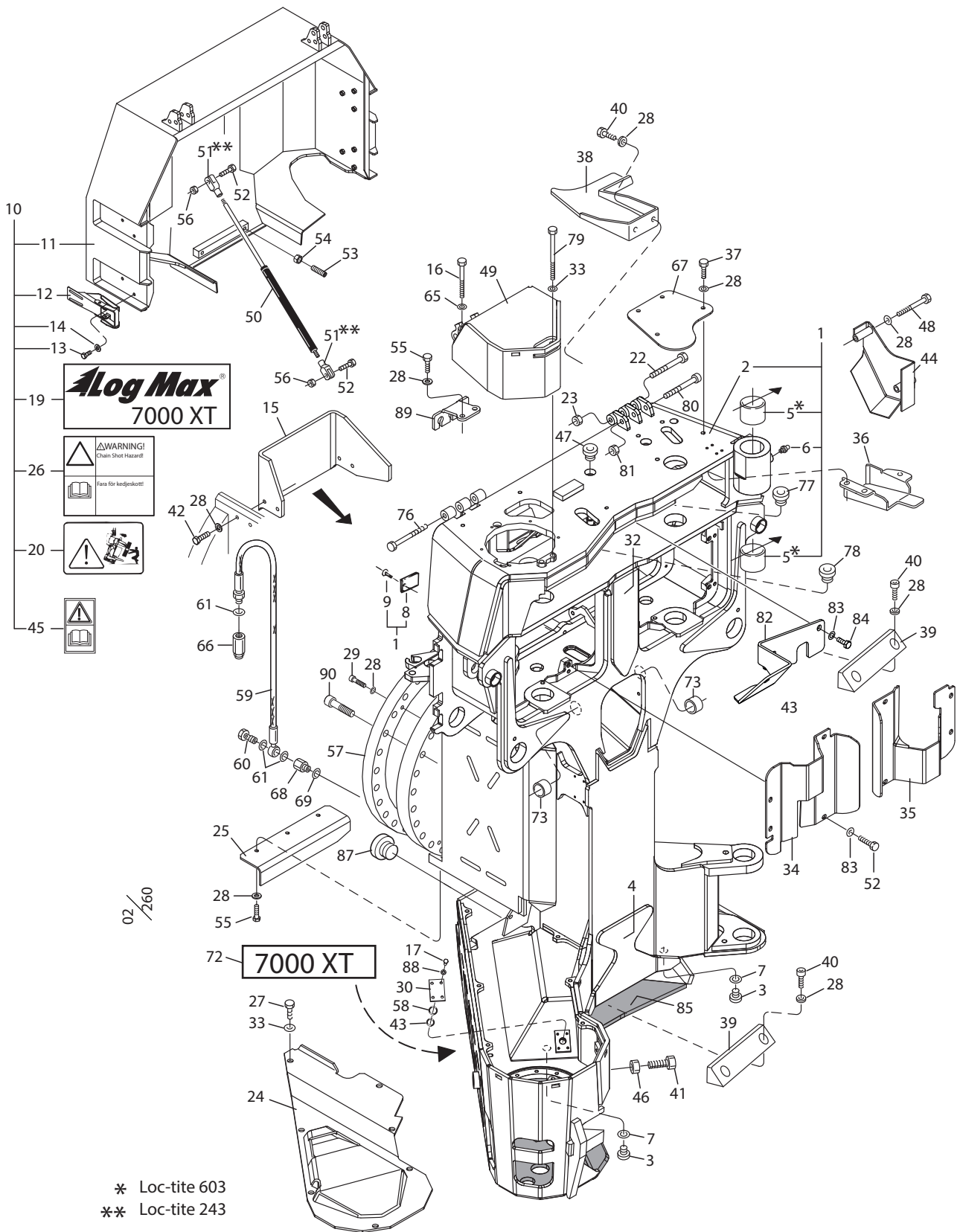


# 1. Frame and protection



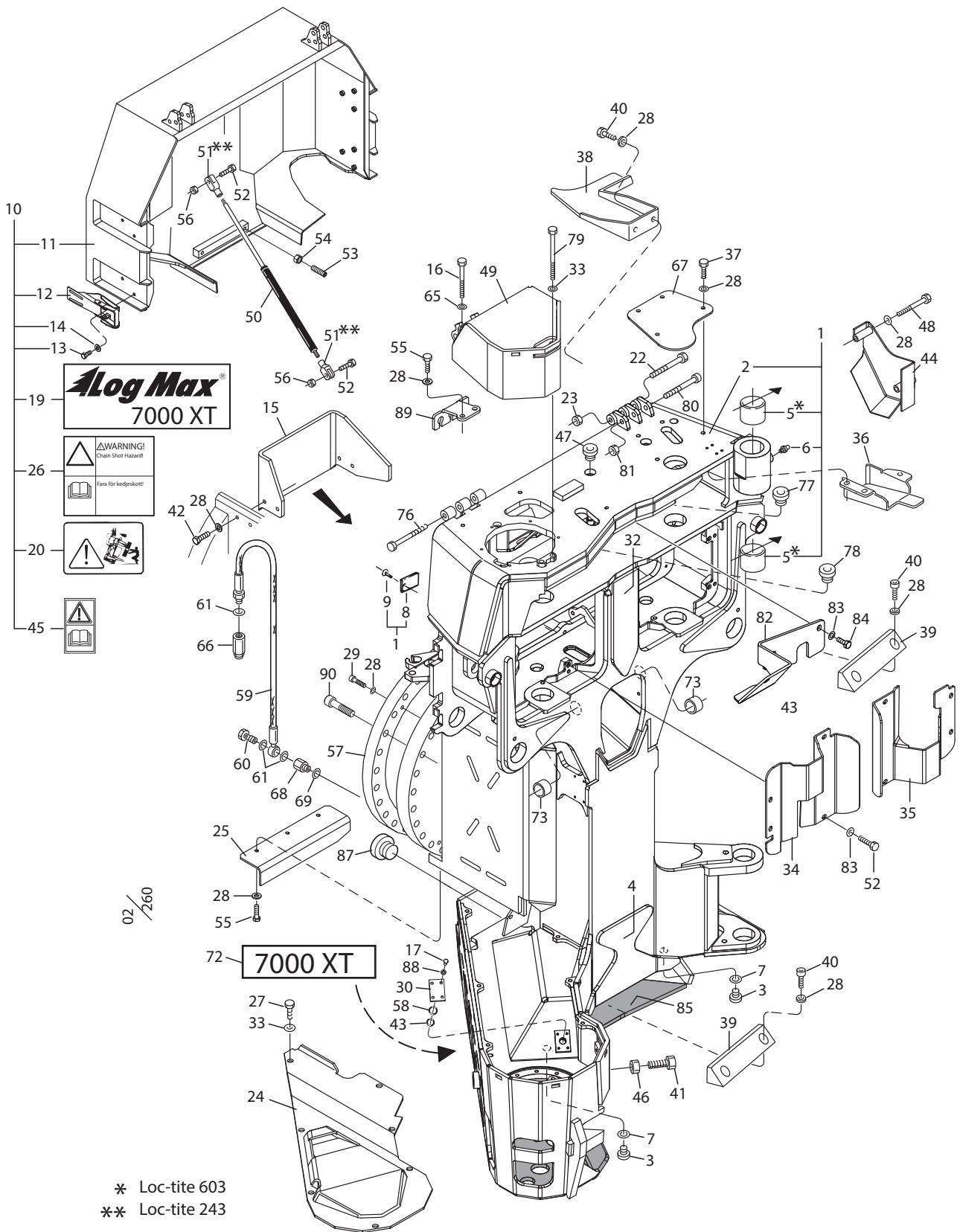
## Frame with protective cover

Structure 006100FH-2				
Pos.	Part no.	Quantity	Description	Specification
1	047101	1	Frame Harvester	Cmpl./kmpl.
2		1	Frame	Topsaw
3	015642	2	Magnetic plug	G 1/2"
4	013312	1	Wear plate	
5	512028	2	Bushing	Str./ Rak 60x40
6	625000	5	Grease nipple	G 1/8"-r
7	601103	2	Seal ring	1/2"
8	013845	1	Plate	LM 7000XT FH
9	500651	4	Screw	CSS 2.2x4,5
10	047131	1	Cover compl	
11	047130	1	Cover	
12	519085	4	Hood latch	
13	500042	12	Screw	M6S M8x16 8.8
14	503055	12	Washer	Nordlock M8
15	022223	1	Cover	
16	501119	2	Socket screw	MC6S M12x100 12.9
17	500022	4	Screw	M6S M6x14 8.8
18	503073	8	Washer	Nordlock M6
19	519110	4	Decal	"XT Series"
	012594	2	Decal	Log Max
20	011561	1	Decal	
21	011562	1	Decal	
22	500108	1	Screw	M6S M12x140 8.8
23	502056	2	Nut	M12
24	022425	1	Cover	
25	017648	1	Cover	
26	519100	1	Decal	„Chain shot“ / Kedjeskott
27	500090	9	Screw	M6S M12x25 8.8
28	503057	25	Washer	Nordlock M10
29	501092	4	Socket screw	MC6S M10X40
30	016851	1	Cap	
32	015519	1	Wear plate	
33	503076	9	Washer	WIDE/STOR nordlock M12



\* Loc-tite 603  
\*\* Loc-tite 243

Structure				
Pos.	Part no.	Quantity	Description	Specification
34	015525	1	Prot. Cover	Right / Höger Top Saw
	016542	1	Prot. Cover	R.H/HÖ for/för Welded/svetsade knifes Top saw
35	015524	1	Prot. Cover	Left / Vänster Top Saw
	016541	1	Prot. Cover	L.H/VÄ for/för Welded/svetsade knifes Top saw
36	015522	1	Sensor cover	
37	500071	4	Screw	M6S M10x40 8.8
38	016077	1	Cover	Dia.measuring /Diametermätn.
39	016296	2	Cover Saw cylinder	
40	501087	6	Socket screw	MC6S M10X20
41	014719	1	Screw	M 24X80
42	500072	4	Screw	M6S M10X45 8.8 FZB
43	540074	1	O-ring	17.3X2.4
44	015780	1	Cover	Measuring wheel /Mäthjul
45	013074	1	Decal	"Read Manual" / Läs manualen
46	502012	1	Nut	M6M M24
47	601005	1	Plug	G 3/4"
48	500078	2	Screw	M6S M10x75 8.8
49	016294	1	Prot. Cover	Top saw /Toppsåg
50	526021	1	Gas spring shock	
51	510123	2	Fork link	
52	500069	10	Screw	M6S M10x30
53	513042	2	Screw	P6SS M12x50
54	502056	2	Nut	M12 Locking
55	500066	5	Screw	M6S M10x20 8.8
56	502055	2	Lock nut	M10
57	017022	1	Spacer	616MM
58	543012	1	O-ring	27.6X2.4
59	645490	1	Hose 5490	
60	601060	1	Banjo bolt	G 1/4"
61	601200	3	Cu-washer	13X19X1.5



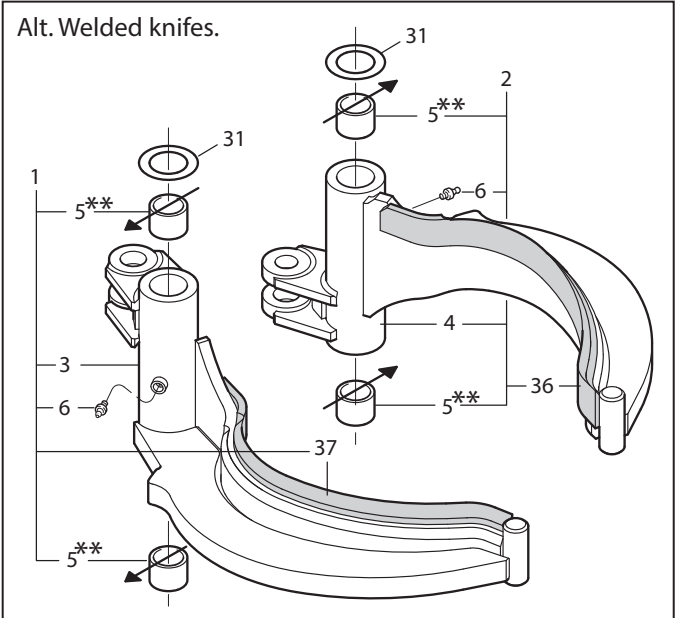
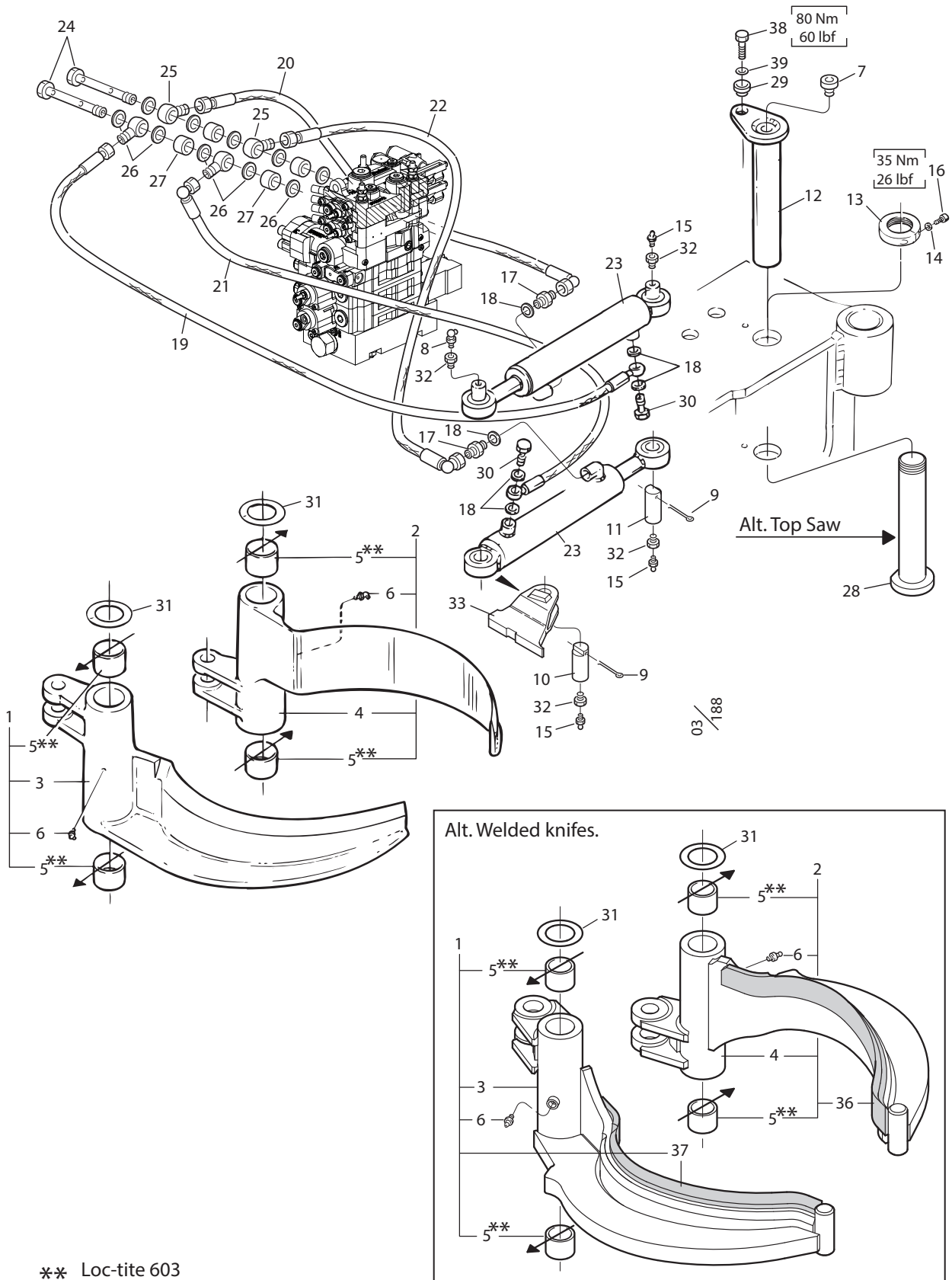
Structure				
Pos.	Part no.	Quantity	Description	Specification
65	503060	13	Washer	M12
66	015037	1	Breather valve compl.	
67	015536	1	Plate	7000XT
68	602055	1	Coupling	G 1/4"
69	601101	1	Seal ring	1/4"
72	519109	1	Decal	7000XT
73	512211	2	Bushing	
75	500091	2	Screw	M6S M12x30
76	500111	1	Screw	M6S M12x170
77	011537	1	Plug	R1 1/4"
78	601006	2	Hex plug	R1 1/4"
79	501124	2	Socket screw	MC6SM12x160
80	501121	1	Socket screw	MC6 M12X120
81	502056	1	Low nut locking	M12
82	016495	1	Cover	
83	503075	11	Washer	WIDE/STOR nordlock M10
84	500068	3	Screw	M10X25
85	015636	1	Bottomplate	Std
	015631	1	Bottomplate	Toppsåg / Topsaw
87	601007	1	Hex plug	1/2"R
88	503065	3	Washer	Nordlock M6
89	016817	1	Cable bracket	
90	501156	30	Socket screw	MC6S M18X160





## 2. Delimiting unit

## 2. Delimiting unit

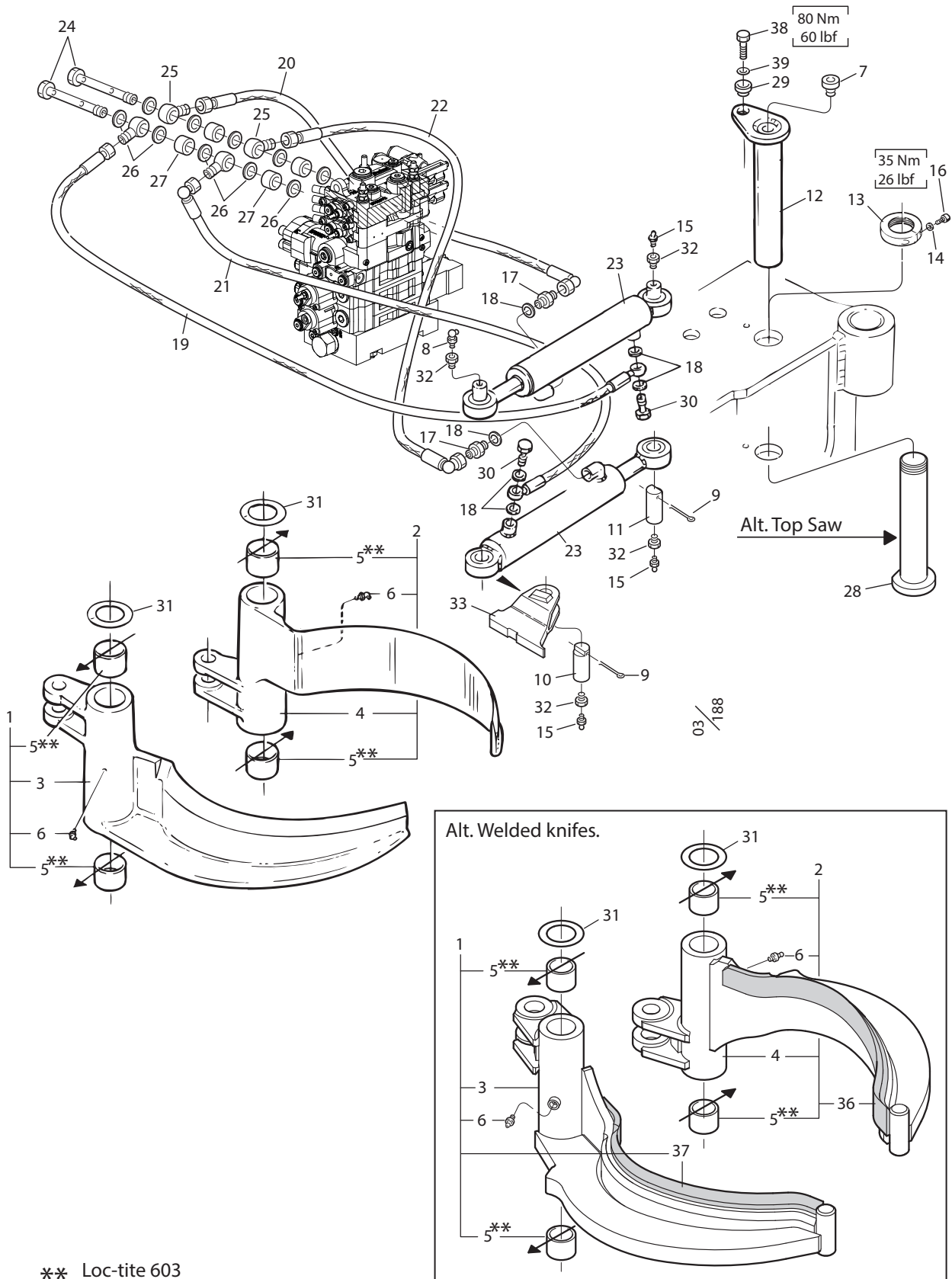


## Delimiting unit

Structure 006111-T, 006111-PT				
Pos.	Part no.	Quantity	Description	Specification
1	10002018	1	Delimiting knife, cmpl	Standard, Hardwood
	034347	(1)	Delimiting knife, cmpl	Molded / gjutna
	034247	(1)	Delimiting knife, cmpl	Processor Welded / svetsad
2	10002020	1	Delimiting knife, cmpl	Standard, Hardwood
	034346	(1)	Delimiting knife, cmpl	Molded / gjutna
	034246	(1)	Delimiting knife, cmpl	Processor Welded / svetsad
3		1	Knife, right	
4		1	Knife, left	
5	512029	4	Bushing	WB 60x60
6	625000	2	Grease nipple	G 1/8"
7	601003	2	Hex plug	G 1/2"
8	625001	1	Grease nipple	KR1/8"90
9	516002	4	Cotter pin	6,3x50
10	010605	2	Pin	32-79
11	010604	2	Pin	32-102
12	013780	2	Pin	STD: With plug /Med plugg 60 L=346 mm
13	016069	2	Threaded ring	Top Saw
14	503055	2	Washer	Nordlock M8
15	625000	3	Grease nipple	G 1/8"
16	501070	2	Socket screw	MC6S M8x20 12.9
17	601032	2	Coupling	G 3/8" UF-UF
18	601102	6	Seal ring	3/8"
19	645428	1	Hose 5428	
20	645426	1	Hose 5426	
21	645427	1	Hose 5427	
22	645425	1	Hose 5425	
23	018997	2	Cylinder	
24	012476	2	Banjo screw	G 1/2"
25	602018	4	Banjo body	G 1/2"-G 3/8"
26	601103	10	Seal ring	1/2"
27	012477	4	Spacer	
28	016066	2	Pin	Top Saw

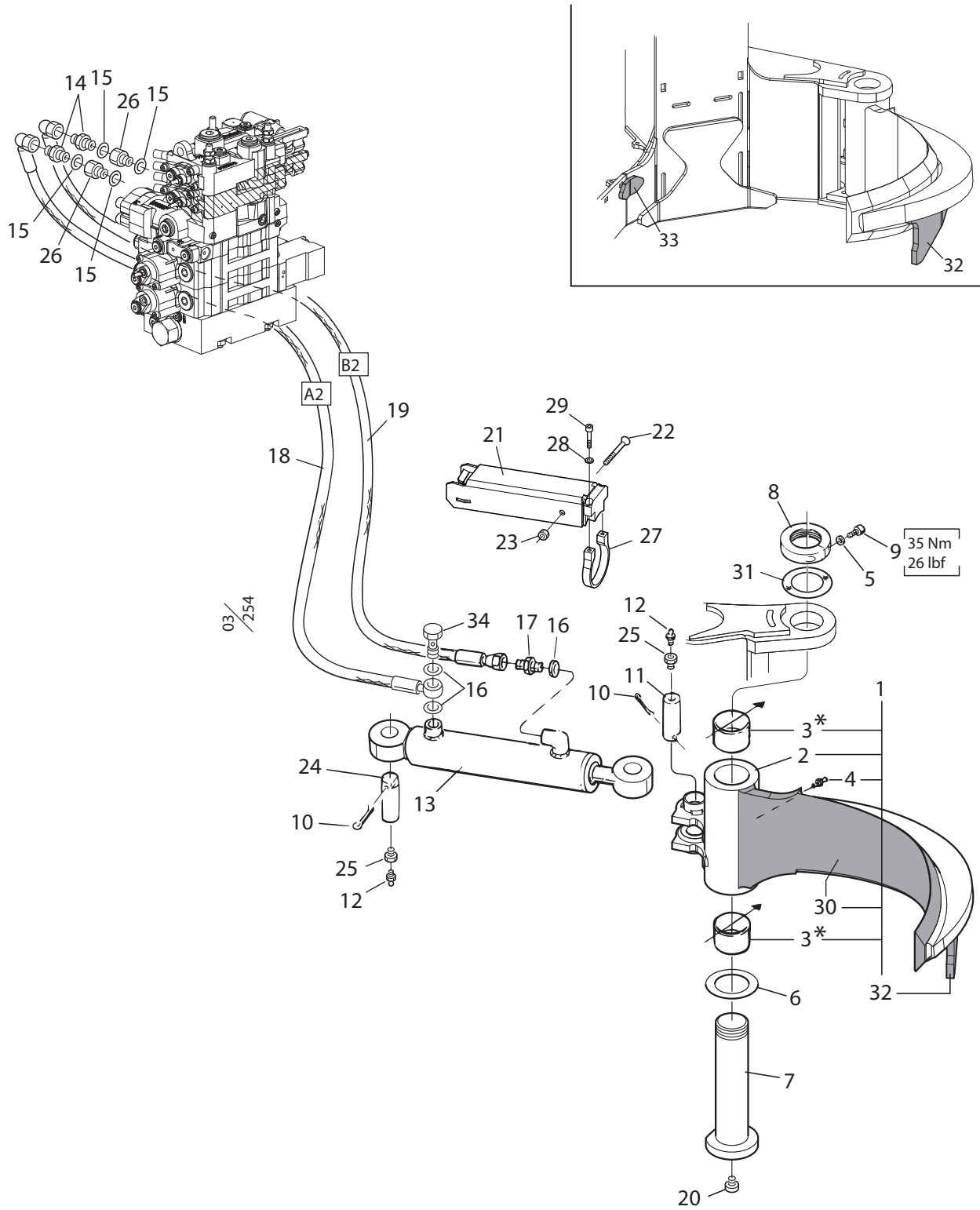
## 2. Delimiting unit

### Log Max 7000XT Fixed Head Spare part manual



Structure				
Pos.	Part no.	Quantity	Description	Specification
29	013872	2	Guide Washer	
30	601061	2	Banjo bolt	G 3/8"
31	507011	erf	Shim	63x80x0,5
31	507012	erf	Shim	63x80x1,0
32	602030	4	Coupling	1/8"-3/8"
33	015225	1	Cylinder ear	
36	016539	1	Knife edge	Left / Vänster
37	016540	1	Knife edge	Right / Höger
38	500092	1	Screw	M6S M12X35
39	503060	1	Washer	Nordlock M12

## 2. Delimiting unit

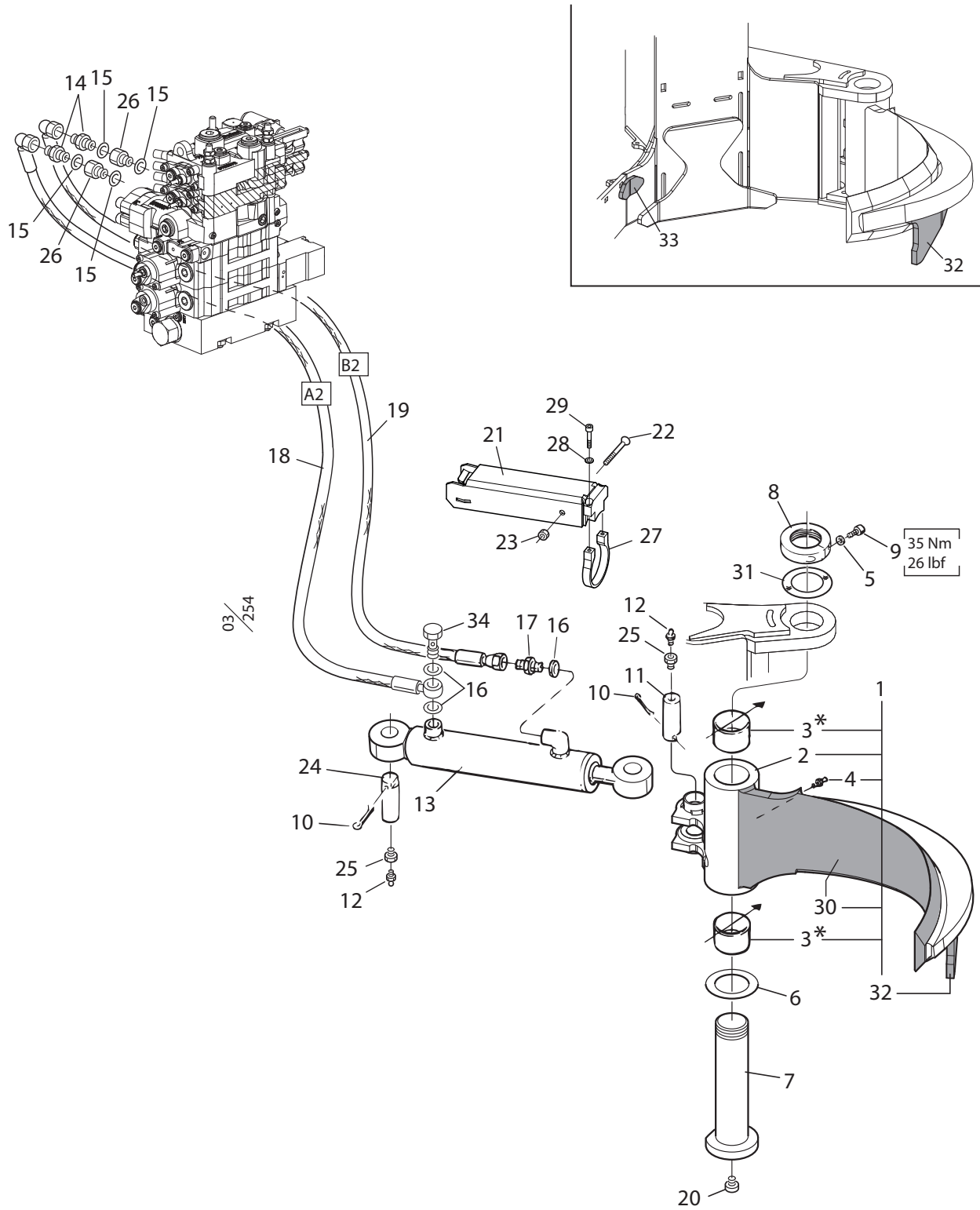


\* Loc-tite 603

## Lower knife

Structure 006103, 006103-P				
Pos.	Part no.	Quantity	Description	Specification
1	047112	1	Bottom knife compl.	Processor
		1	Bottom knife	
2	047113	1	Bottom knife compl.	Standard
		1	Bottom knife	
3	512029	2	Bushing	WB 60x60
4	625000	1	Grease nipple	G 1/8"-r
5	503055	1	Washer	Nordlock M8
6	507011	erf	Shim	63x80x0,5
6	507012	erf	Shim	63x80x1,0
7	015712	1	Pin	60 L=321
8	016069	1	Threaded ring	
9	501070	1	Socket screw	MC6S 8x25 12.9
10	516002	2	Cotter pin	6,3x50
11	013729	1	Pin	□ 32 L=90
12	625000	2	Grease nipple	G 1/8"-r
13	018997	1	Cylinder	
14	601033	2	Coupling	G 3/8"UF-G 1/2"UF
15	601103	4	Seal ring	1/2"
16	601102	3	Seal ring	3/8"
17	601032	1	Coupling	G 3/8"-G 3/8" UF-UF
18	645433	1	Hose 5433	
19	645434	1	Hose 5434	
20	601003	1	Hex plug	1/2"R
21	016257	1	Cylinder cover	
22	500078	1	Screw	M6S M10X75 8.8 FZB
23	502055	1	Lock Nut	Loc M 10
24	012586	1	Pin	
25	602030	2	Adapter	G 1/8"-K G 3/8"
26	013805	2	Coupling	G1/2"IF – G1/2"UF
27	016253	1	Clamp	
28	503057	2	Washer	Nordlock M10
29	501090	2	Socket screw	MC6S M10X30 12,9
30	015719	1	Knife blade	

## 2. Delimiting unit

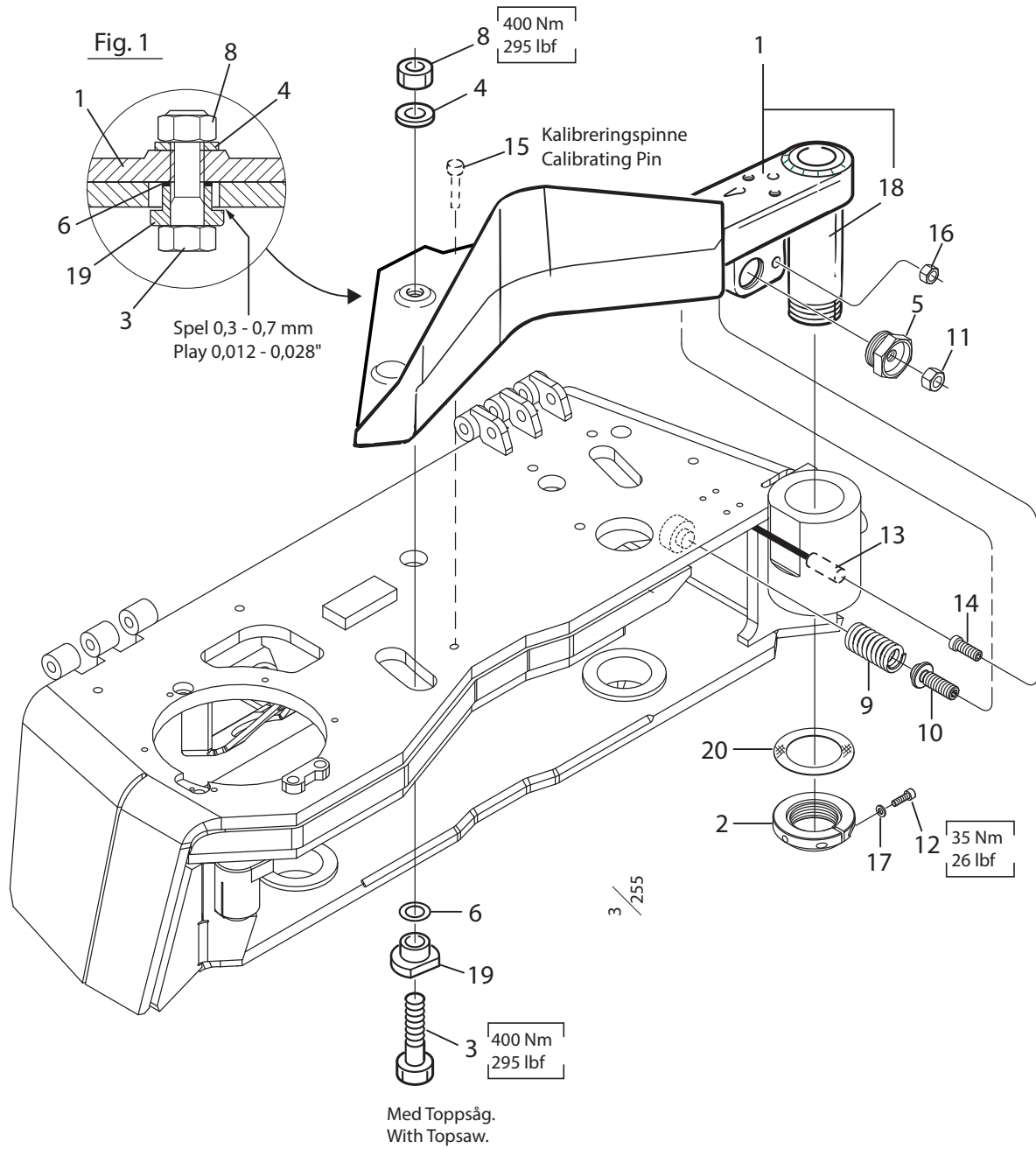




Structure				
Pos.	Part no.	Quantity	Description	Specification
31	507017	Erf.	Shims	56x89x1
32	015715	1	Subsidy plate	
33	0154941	1	Lug	
34	601061	1	Banjo bolt	R3/8"

## 2. Delimiting unit

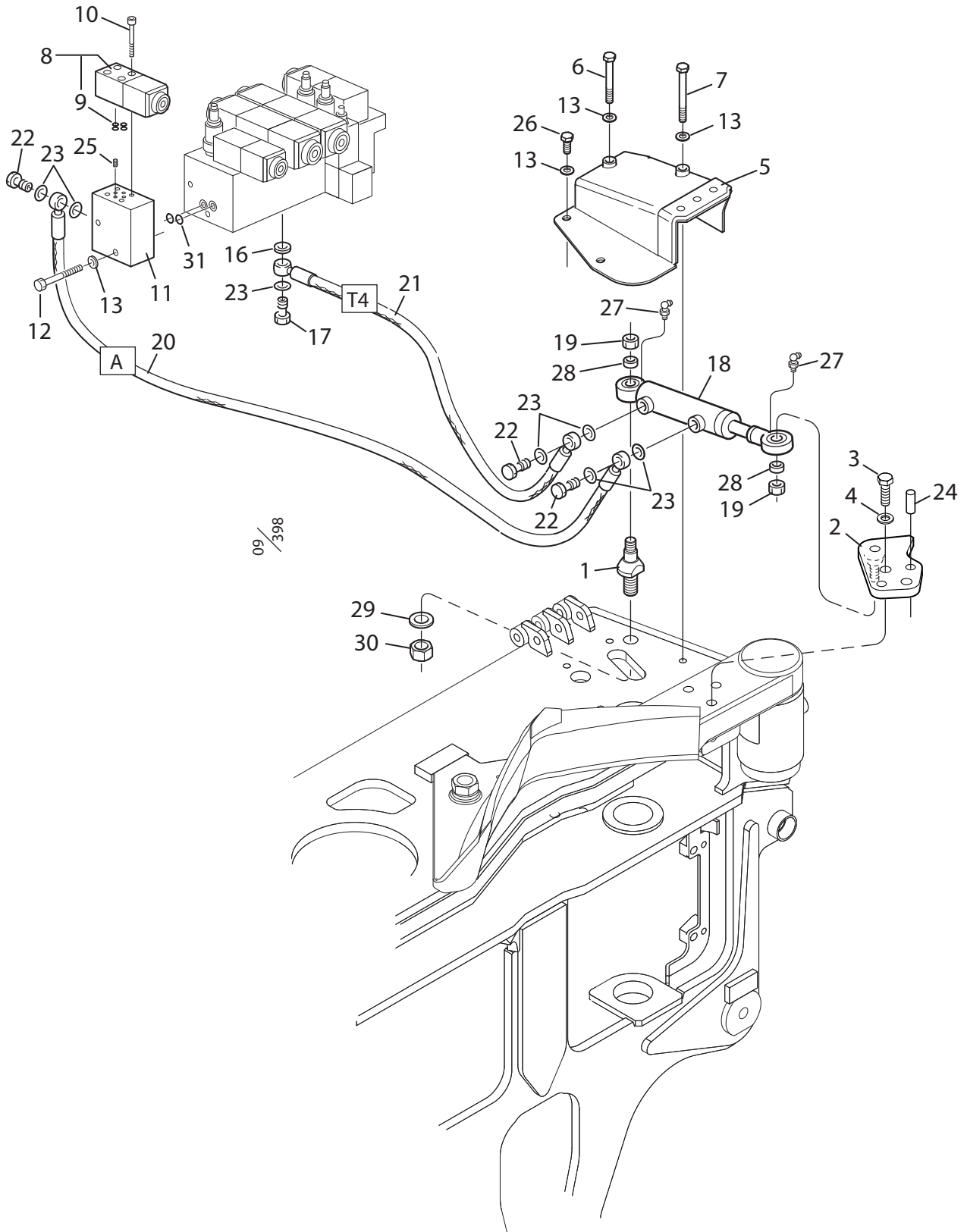
### Log Max 7000XT Fixed Head Spare part manual



## Upper knife

Structure 006101-TS-2				
Pos.	Part no.	Quantity	Description	Specification
1	047115	1	Upper knife compl	Standard
2	016712	1	Threaded ring	
3	505045	1	Screw	M6S M24x80 10.9
4	503018	1	Washer	BRFB 25x45x4
5	017281	1	Plug	G 1 1/4"
6	015481	1	Shim	35x25x1,0
	015480	2	Shim	35x25x0,5
8	502062	1	Lock nut	Loc M24
9	526031	1	Spring	
10	017282	1	Adjuster screw	
11	502706	1	Lock nut	Loc M16
12	501070	1	Socket screw	MC6S M8X25 12.9
13	013007	1	Magnetic sensor	
14	016076	1	Magnetic screw	
15	500046	1	Screw	M6S M8x30 8.8
16	502701	1	Nut	M12x1,25
17	503055	1	Washer	Nordlock M8
18	016071	1	Pin	
19	016592	1	Spacer	
20	507017	Erf.	Shims	56x89x1

## 2. Delimiting unit



## Hydraulic upper knife

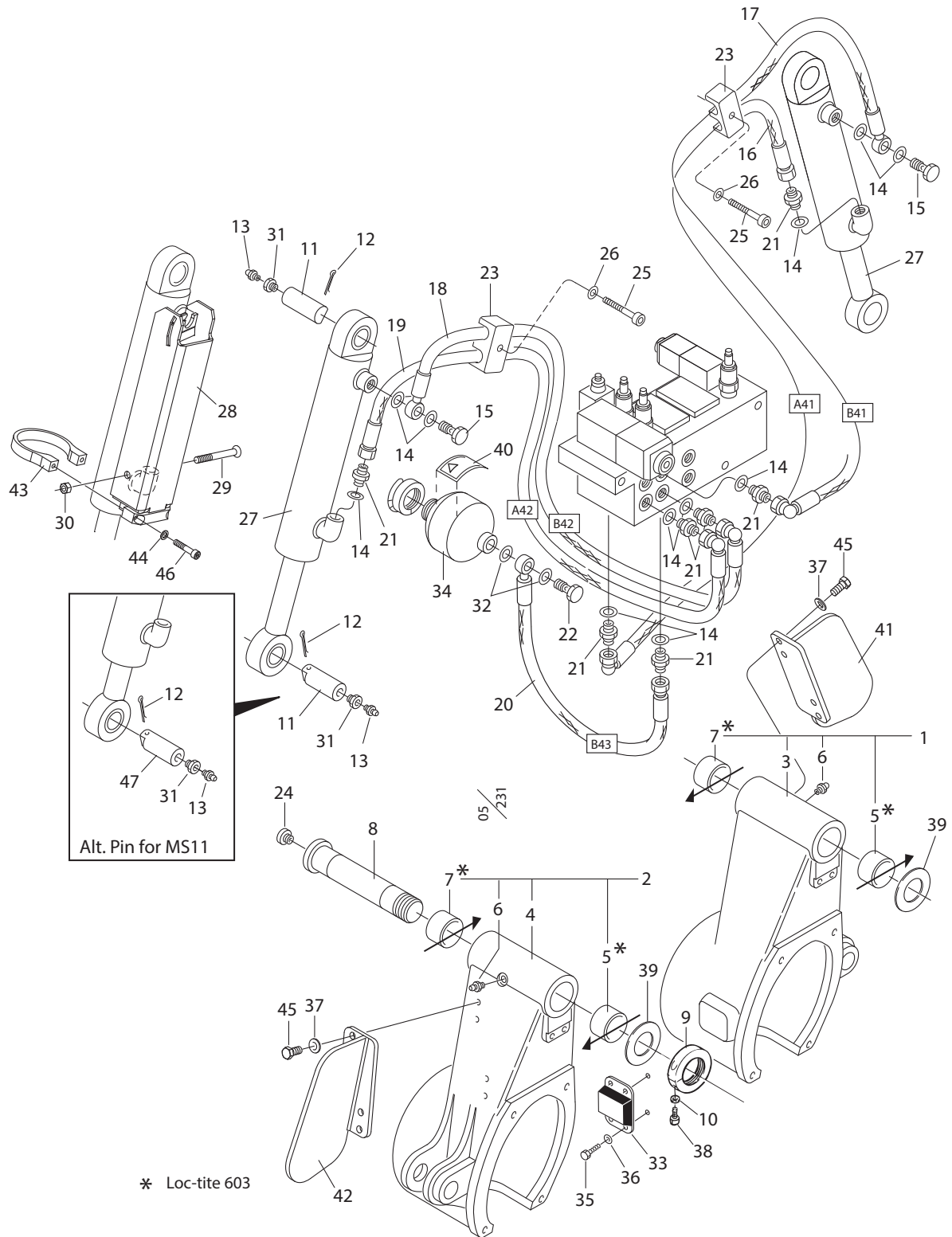
Structure 047132				
Pos.	Part no.	Quantity	Description	Specification
1	013433	1	Bracket plate	
2	013431	1	Bracket	
3	500090	2	Screw	M12X25 8.8 FZB
4	503060	2	Washer	M12
5	016627	1	Cylinder cover	
6	500081	1	Screw	M10X100 8.8 FZB
7	500083	1	Screw	M10X90 8.8 FZB
8	612049	1	Directional valve	24V
9	540036	4	O-ring	7.66x1.78
10	501033	4	Socket screw	MC6S M5X40 12.9
11	013865	1	Manifold	
12	500074	2	Screw	M10X55 8.8 FZB
13	503057	6	Washer	M10
16	602114	1	Seal ring	¼"
17	601068	1	Coupling	R1/4"
18	015462	1	Hydraulic-cylinder	25/16-45
19	502056	2	Nut	M12 Low/Låg
20	645364	1	Hose 5364	
21	645365	1	Hose 5365	
22	601060	4	Banjo bolt	G 1/4"
23	601200	7	Cu-washer	13x19x1.5
24	515011	2	Cylinder pin	12x30
25	613031	1	Orifice	M5x1.0mm
26	500070	2	Screw	M6S M10X35
27	625005	2	Grease nipple	M6-90°
28	010170	2	Spacer	
29	503014	1	Washer	BRB20X36X3.0
30	502060	1	Nut	M20 Low / Låg
31	619057	2	Seal ring	12,42x1,78



## 3. Feeding unit

### 3. Feeding unit

## Log Max 7000XT Fixed Head Spare part manual



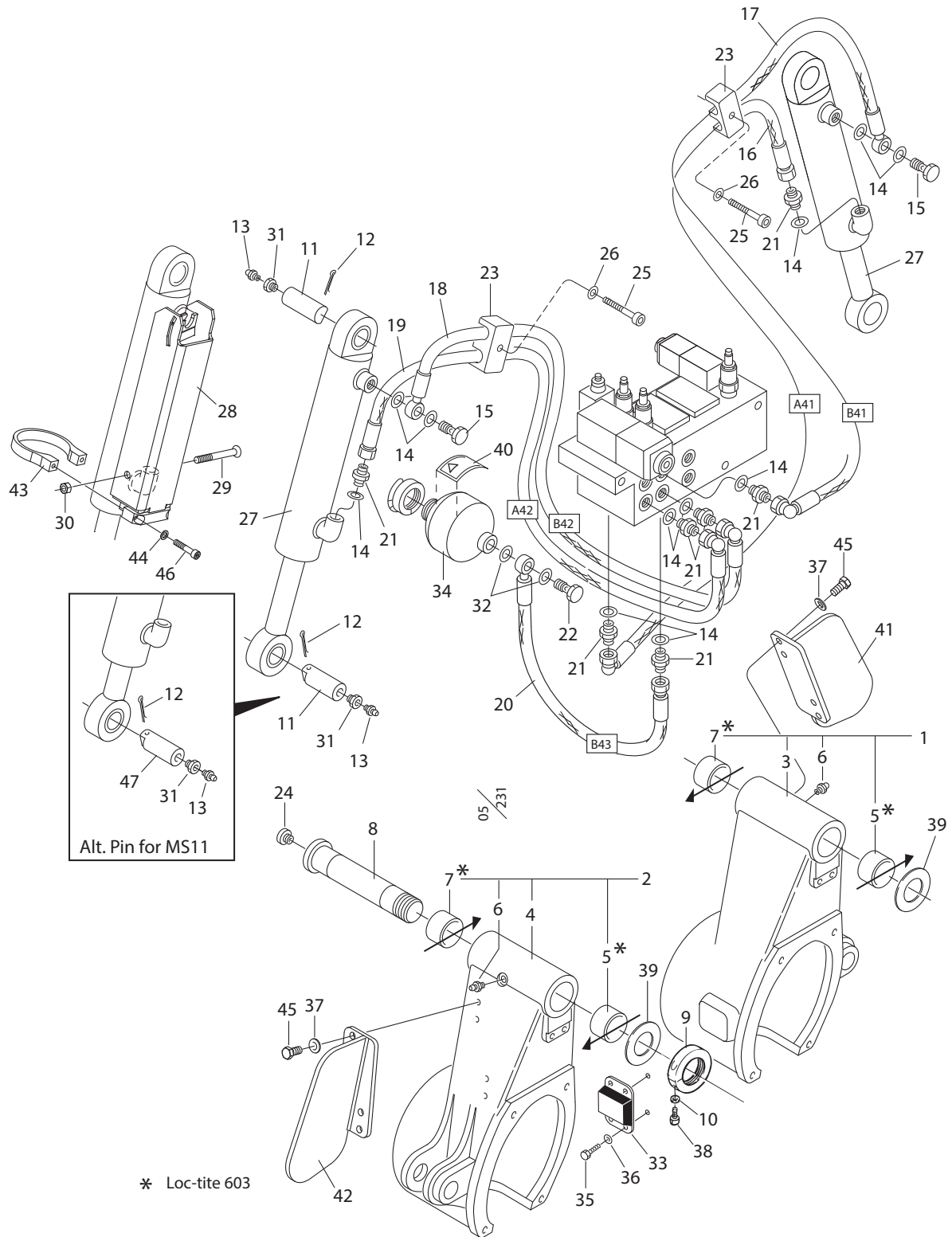


## Roller arms

Structure 006160				
Pos.	Part no.	Quantity	Description	Specification
1	047123	1	Wheel arm, right.	V12 Cmpl./ kmpl.
	047125	1	Wheel arm, right.	MS11 Cmpl./ kmpl.
2	047124	1	Wheel arm, left.	V12 Cmpl./ kmpl.
	047126	1	Wheel arm, left.	MS11 Cmpl./ kmpl.
5	512028	2	Bushing	WB 60x40
6	625000	2	Grease nipple	G 1/8"-r
7	512029	2	Bushing	WB 60x60
8	015699	2	Pin	60 L=272
9	016069	2	Threaded ring	
10	503055	2	Washer	Nordlock M8
11	012586	4	Pin	
12	516002	4	Cotter pin	6,3x50
13	625000	4	Grease nipple	G 1/8"-r
14	601102	11	Seal ring	3/8"
15	601061	2	Banjo bolt	G 3/8"
16	645315	1	Hose 5315	
17	645314	1	Hose 5314	
18	645312	1	Hose 5312	
19	645313	1	Hose 5313	
20	645324	1	Hose 5324	
21	601032	7	Coupling	G 3/8" UF-UF
22	601062	1	Banjo bolt	G 1/2"
23	015766	2	Clamp	3/8" Ø20mm
	016878	2	Clamp	3/8" Ø16mm for kf2 Smooth
24	601003	2	Plug	1/2" R
25	501074	2	Socket screw	MC6S M8x45 12.9
	501073	2	Socket screw	MC6S M8X40 For smooth
26	503055	2	Washer	Nordlock M8
27	018997	2	Cylinder	
28	016257	2	Cylinder cover	
29	500078	2	Screw	M6S M10X75 8.8 FZB
30	502055	2	Nut low	Loc M10
31	602030	4	Bushing	G 1/8"-G 3/8"

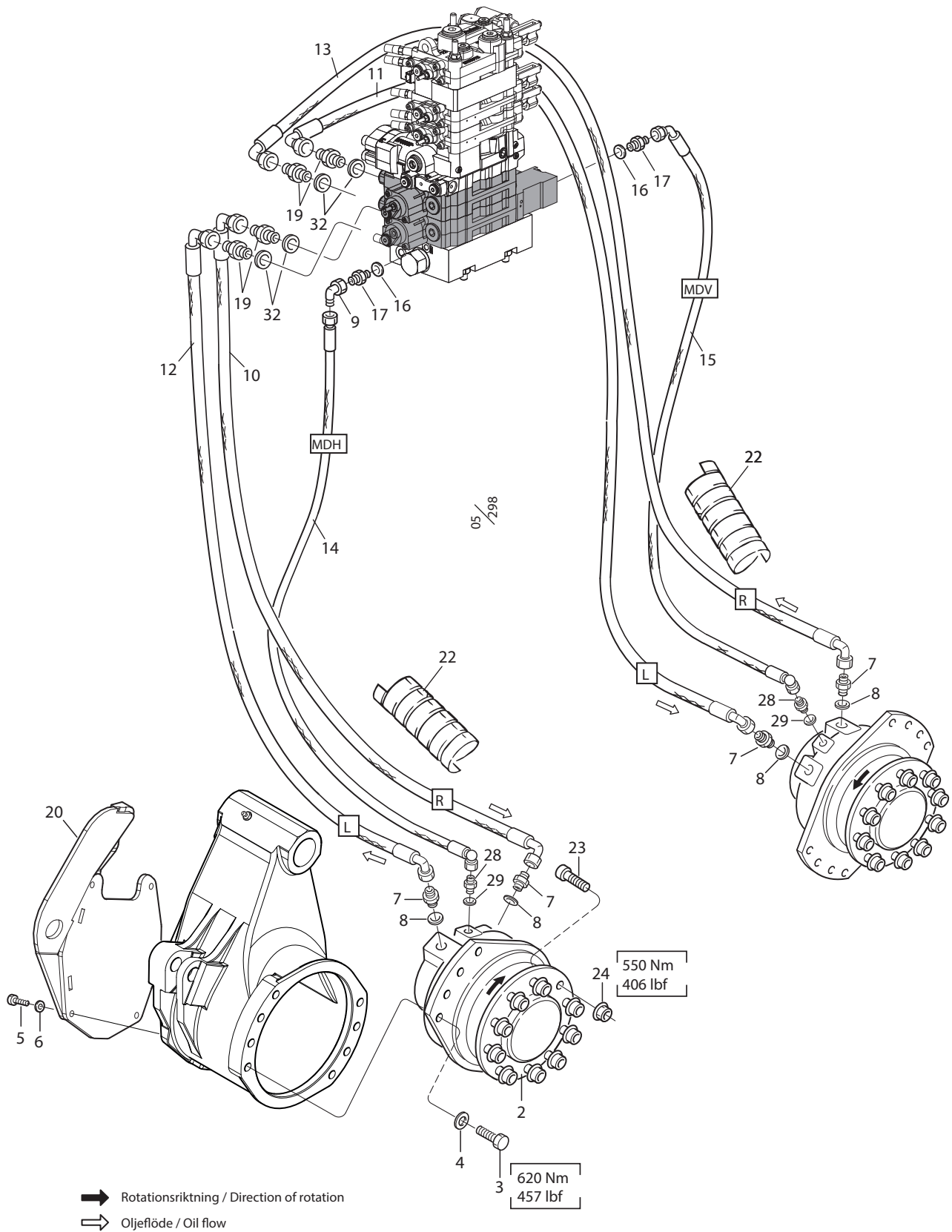
### 3. Feeding unit

## Log Max 7000XT Fixed Head Spare part manual



Structure				
Pos.	Part no.	Quantity	Description	Specification
32	601103	2	Seal ring	1/2"
33	014377	2	Rubber damper	
34	610140	1	Accumulator	0,5 L - 0 Bar EMPTY/ OLADDAD
	610141	1	Accumulator	0,5 L - 85 Bar LOADED/ LADDAD
35	500022	8	Screw	M6S 6x14 8.8
36	503073	8	Washer	Nordlock M6
37	503060	8	Washer	Nordlock M12
38	501070	2	Socket screw	MC6S M8X25 12.9
39	507063	2	Shim	63x98x0,25
39	507011	2	Shim	63x98x0,5
39	507012	2	Shim	63x98x1,0
40	519111	1	Decal	85 bar
41	015695	1	Left cover	V12
42	015696	1	Right cover	V12
43	016253	2	Clamp	
44	503057	4	Washer	M10
45	500091	8	Screw	M6S M12x30 8.8
46	501090	4	Socket screw	MC6S M10x40 12.9
47	013729	2	Pin	For MS11

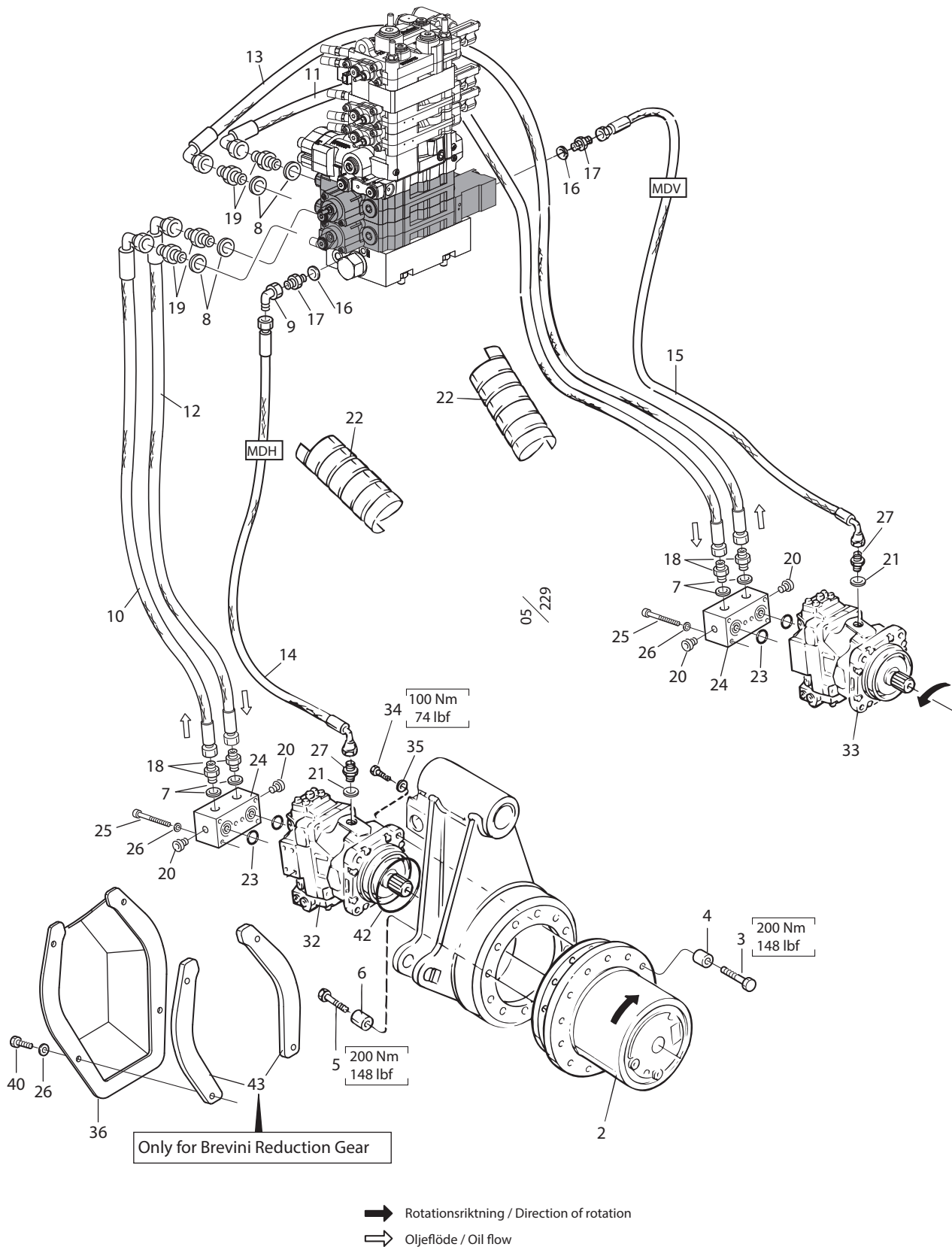
### 3. Feeding unit



## Feed roller arms MS11, assembly

Structure				
Pos.	Part no.	Quantity	Description	Specification
2	609097	2	Hydraulic motor, compl	MS 11 1259 ccm
3	500153	16	Screw	M6S M22x50 8.8
4	503071	16	Washer	Nordlock M22
5	500090	8	Screw	M6S M12x25 8.8
6	503060	8	Washer	Nordlock M12
7	601368	4	Coupling	G 3/4"->SAEO 1 1/16"
8	543067	4	O-ring	23,47x2,95
9	602027	1	Coupling	G 3/8 UF-IF
10	645391	1	Hose 5391	
11	645393	1	Hose 5393	Med Toppsåg/ With Top Saw
12	645390	1	Hose 5390	
13	645392	1	Hose 5392	Med Toppsåg/ With Top Saw
14	645337	1	Hose 5337	
15	645338	1	Hose 5338	
16	601102	2	Seal ring	G 3/8"
17	601032	2	Coupling	G 3/8"UF - G 3/8"UF
19	016443	4	Coupling	G 3/4"
20	016266	1	Cover	Vänster/Left MS11
	016267	1	Cover	Höger/Right MS11
22	615051	2	Hose cover	Ø 2" L=750
23	635142	10	Wheel stud	
24	635144	10	Wheel nut	
28	601362	2	Coupling	G 3/8" SAEO 3/4"
29	543066	2	O-ring	16,36x2,21
32	601104	4	Seal ring	G 3/4"

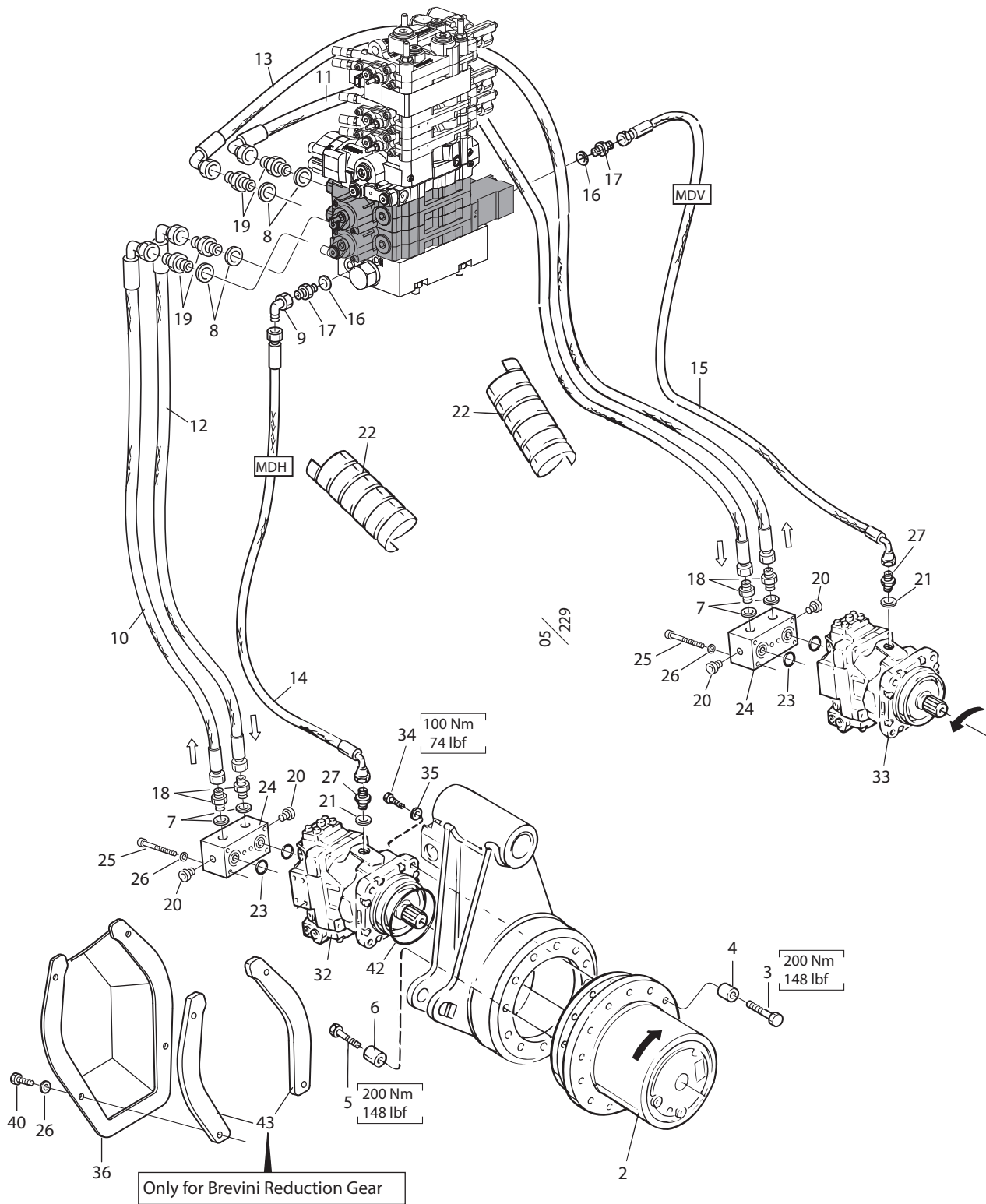
### 3. Feeding unit



## Feed roller motors V12

Structure 006160-H/V				
Pos.	Part no.	Quantity	Description	Specification
2	609060	2	Reduction gear	Bonfiglioli
	609065	2	Reduction gear	Brevini
3	500137	32	Screw	M6S 16x70 8.8
4	010676	32	Spacer	
5	500137	24	Screw	M6S 16x70 8.8
6	010676	24	Spacer	
7	601104	4	Seal ring	G 3/4"
8	601104	4	Seal ring	G 3/4"
9	602027	1	Elbow	G 3/8" UF-IF
10	645334	1	Hose 5334	
11	645336	1	Hose 5336	
12	645333	1	Hose 5333	
13	645335	1	Hose 5335	
14	645337	1	Hose 5337	
15	645338	1	Hose 5338	
16	601102	2	Seal ring	3/8"
17	601032	2	Coupling	G 3/8" UF-UF
18	601040	4	Coupling	G 3/4"UF - G 3/4"UF
19	016443	4	Coupling	G 3/4"
20	601001	4	Hex plug	G 1/4"
21	601111	2	Seal ring	M 22
22	615051	2	Hose cover	Ø 2" L=750
23	540154	4	O-ring	Ø 24,99x3,53
24	016527	2	Manifold	3/4"
25	500074	12	Screw	M6S 10x 55 8.8
26	503057	20	Washer	Nordlock M10
27	608004	2	Coupling	G 3/8"-M22
32	609132	1	Roller motor R.H	
33	609133	1	Roller motor L.H.	
	011269	1	Seal kit	V12-60
34	501110	8	Socket screw	MC6S 12x35 12.9
35	503060	8	Washer	Nordlock M12
36	013572	2	Prot. cover	

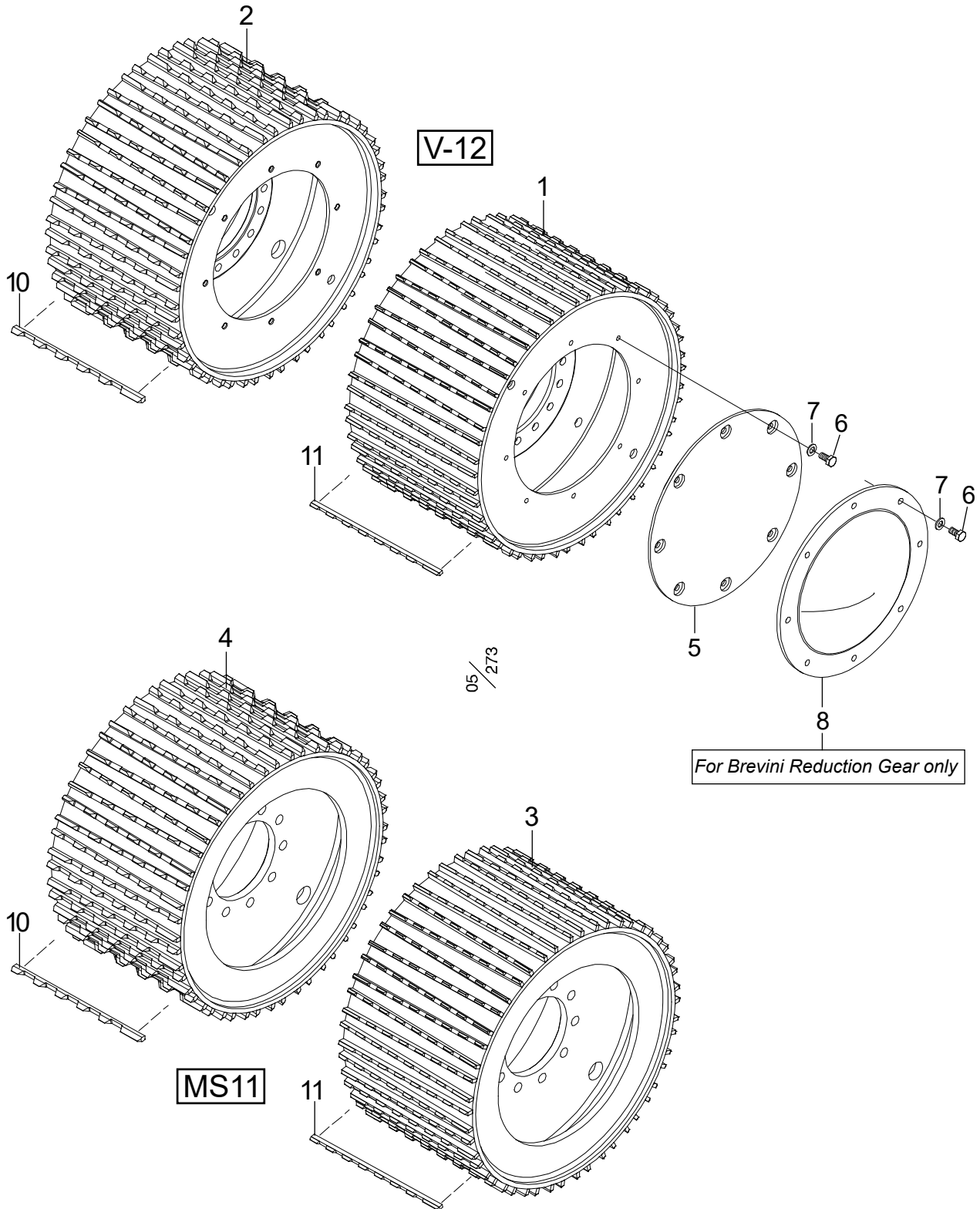
### 3. Feeding unit



➔ Rotationsriktning / Direction of rotation  
⇨ Ölflöde / Oil flow

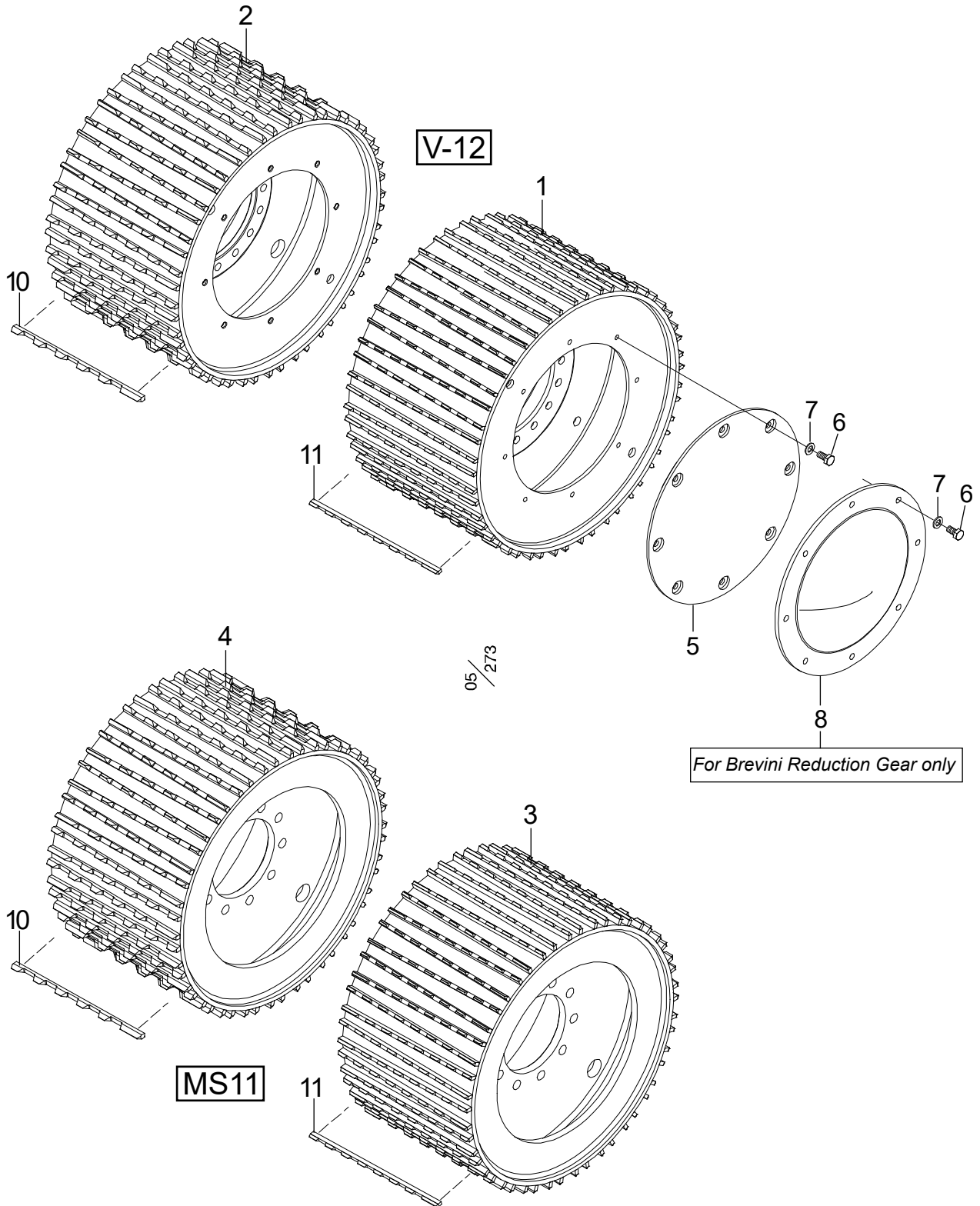


Structure				
Pos.	Part no.	Quantity	Description	Specification
40	500068	8	Screw	M6S 10x25 8.8
	500071	8	Screw	M6S M10X40 BREVINI ONLY/ ENDAST
42	543164	2	O-ring	125 x 4
43	022205	4	Spacer	REVINI ONLY/ENDAST



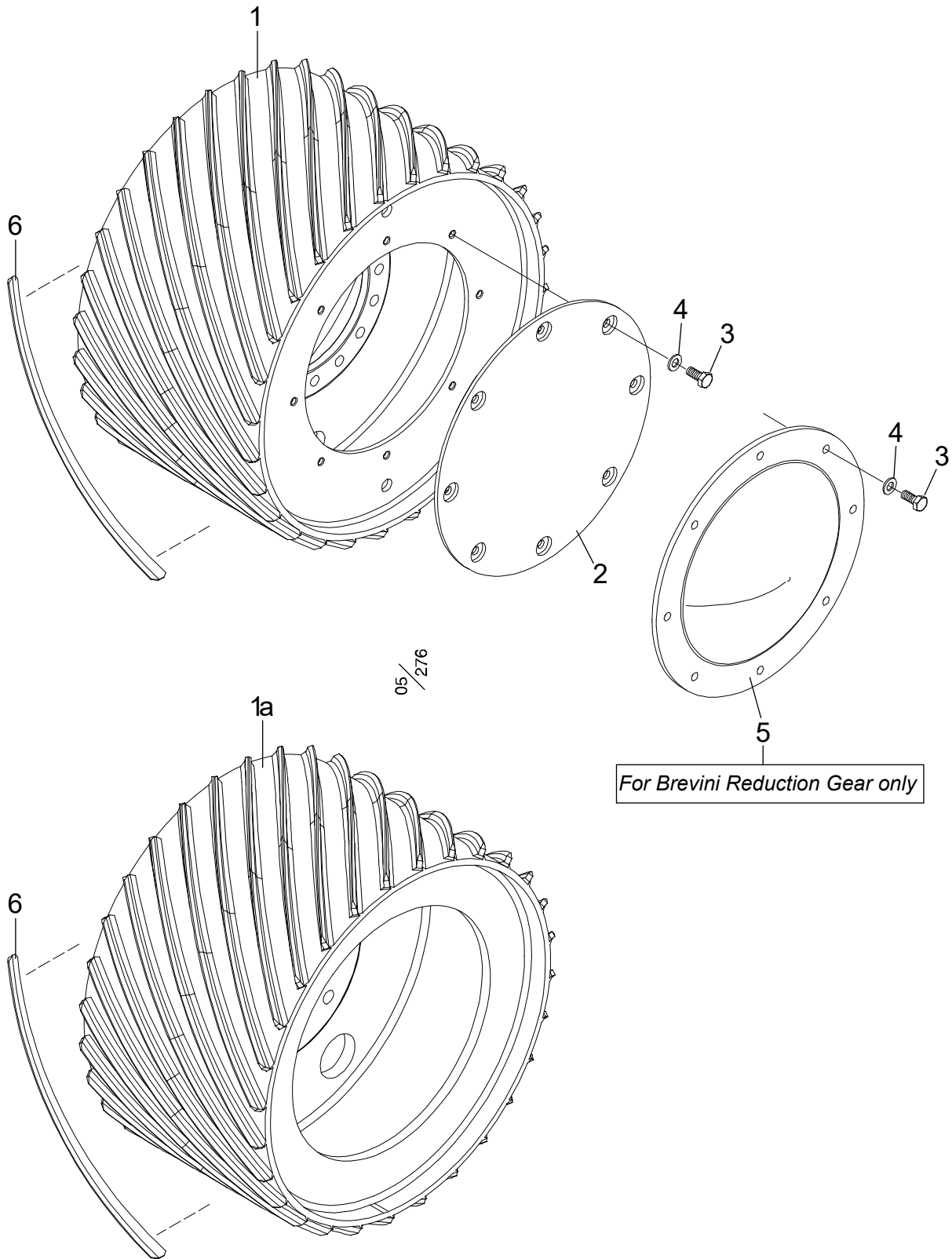
## Feed rollers, V-steel V12

Structure 034041				
Pos.	Part no.	Quantity	Description	Specification
1	034094	1	Feed roller V-steel	"S" Skonsam /Regular
2	034095	1	Feed roller V-steel	"E" Aggressiv / Aggressive
5	015778	1	Cover	For Bonfiglioli
6	500090	8	Screw	M6S M12X25 8.8 FZB
7	503060	8	Washer	Nordlock M12
8	016882	1	Cover	For Brevini
10	016732	Erf.	Bar	"E" Aggressiv / Aggressive
11	016640	Erf.	Bar	"S" Skonsam/ Regular



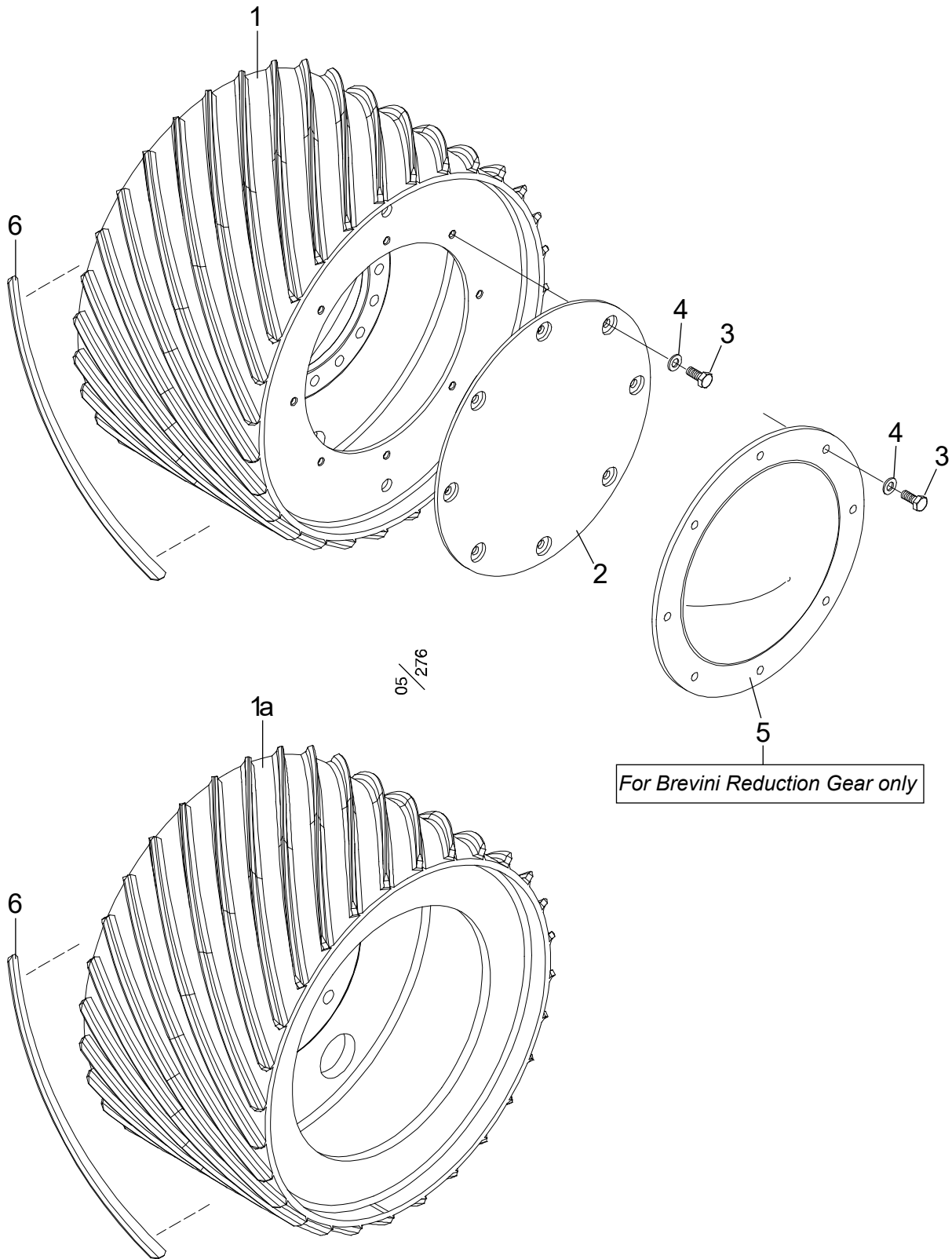
## Feed rollers, V-steel MS11

Structure 034044				
Pos.	Part no.	Quantity	Description	Specification
3	034093	1	Feed roller V-steel	"S" Skonsam/ Regular
4	034096	1	Feed roller V-steel	"E" Aggressiv / Aggressive
10	016732	Erf.	Bar	"E" Aggressiv / Aggressive
11	016640	Erf.	Bar	"S" Skonsam/ Regular



## Feed rollers, steel V12

Structure 039045				
Pos.	Part no.	Quantity	Description	Specification
1	039045	1	Feed roller	Eucalyptus
2	015778	1	Cover	For Bonfiglioli
3	500090	8	Screw	M6S M12X25 8.8 FZB
4	503060	8	Washer	Nordlock M12
5	016882	1	Cover	For Brevini
6	015938	Erf.	Bar	



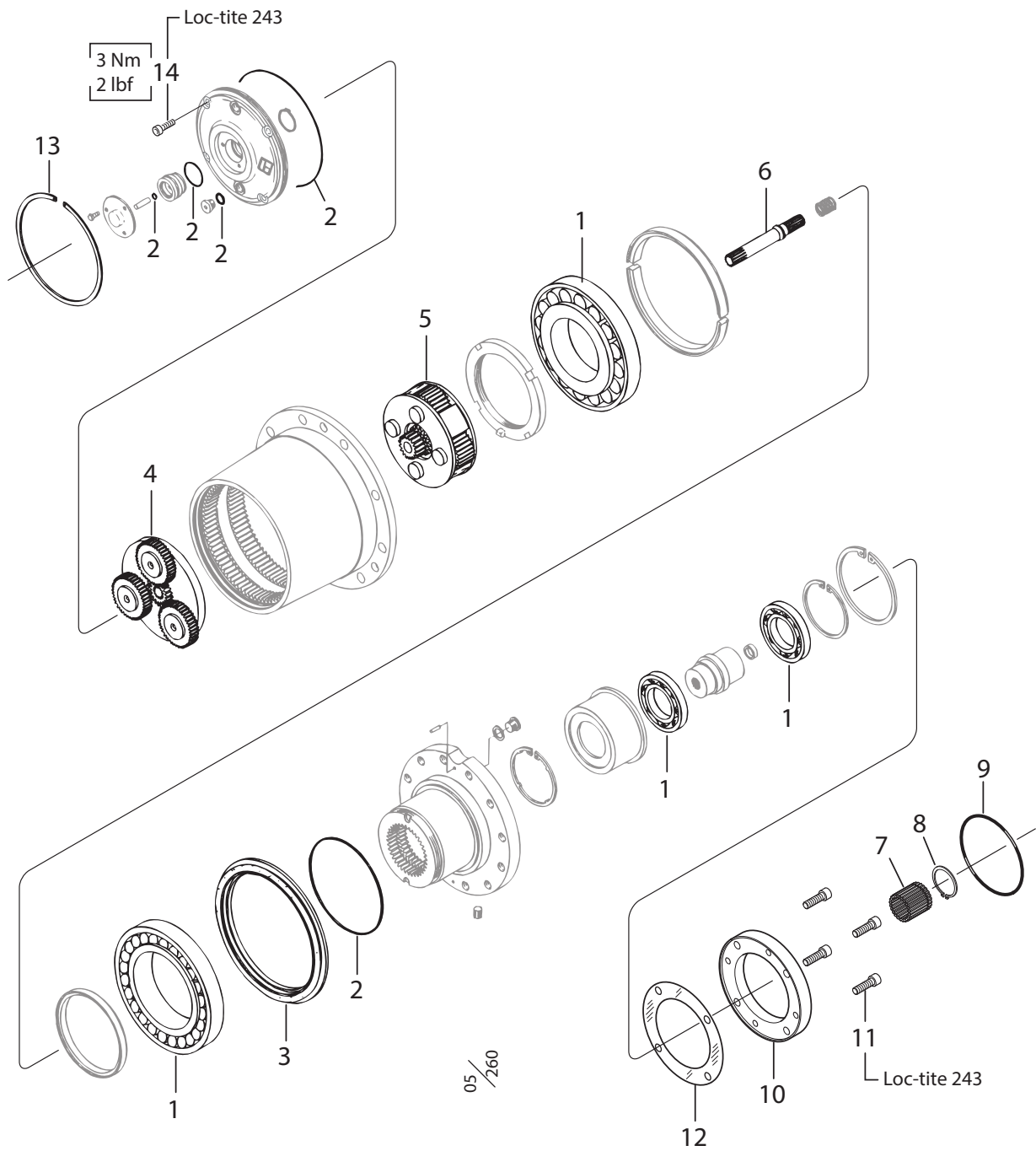


## Feed rollers, steel MS11

Structure 039046				
Pos.	Part no.	Quantity	Description	Specification
1A	039046	1	Feed roller	Eucalyptus
6	015938	Erf.	Bar	

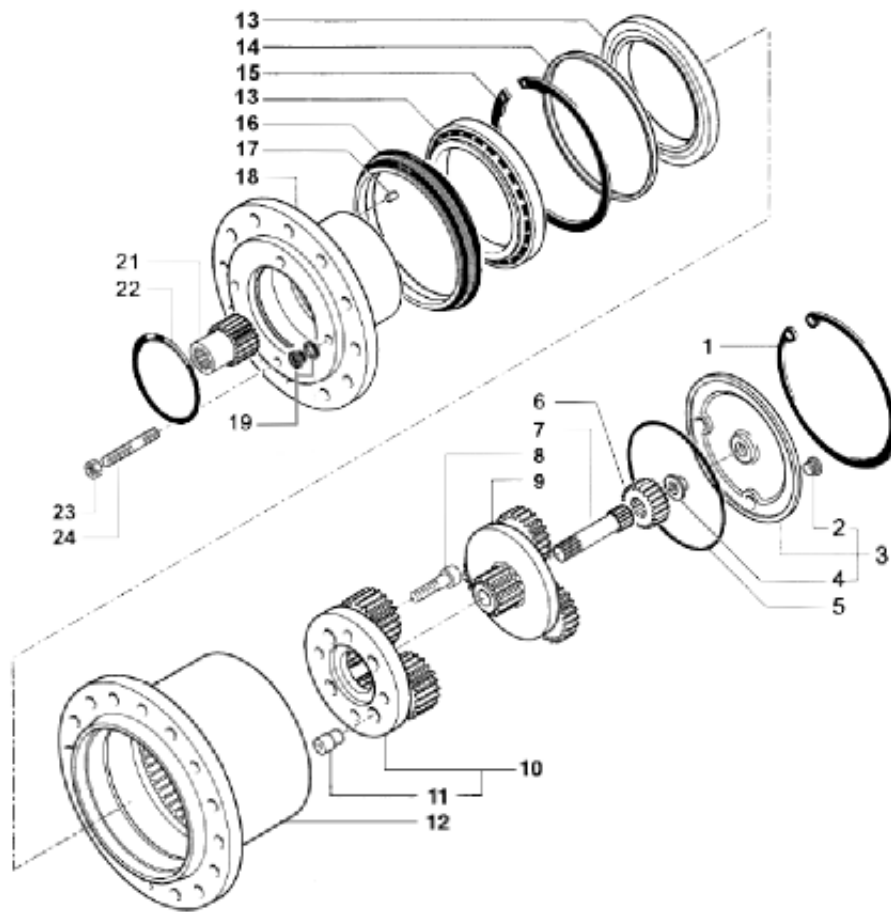
### 3. Feeding unit

## Log Max 7000XT Fixed Head Spare part manual



## Reduction gear Brevini

Structure 609065				
Pos.	Part no.	Quantity	Description	Specification
	609065	1	Reduction gear compl.	Brevini
1	635189	2	Bearing compl.	Incl. one (1) large bearing and one (1) small bearing.
2	635180	1	Seal kit compl.	
3	635186	1	Face seal	
4	635200	1	Reduction kit, primary compl.	5.17
5	635201	1	Reduction kit, secondary compl.	4.57
6	635194	1	Splined shaft	
7	635195	1	Coupling	
8	517075	1	Circlip	For/för 635195
9	543164	1	O-ring	125 x 4
10	015103	1	Flange	
11	505080	4	Screw	MLC6S M12X30
12	635198	1	Gasket	
13	635197	1	Circlip	
14	501011	4	Socket screw	MC6S M4X8 12.9

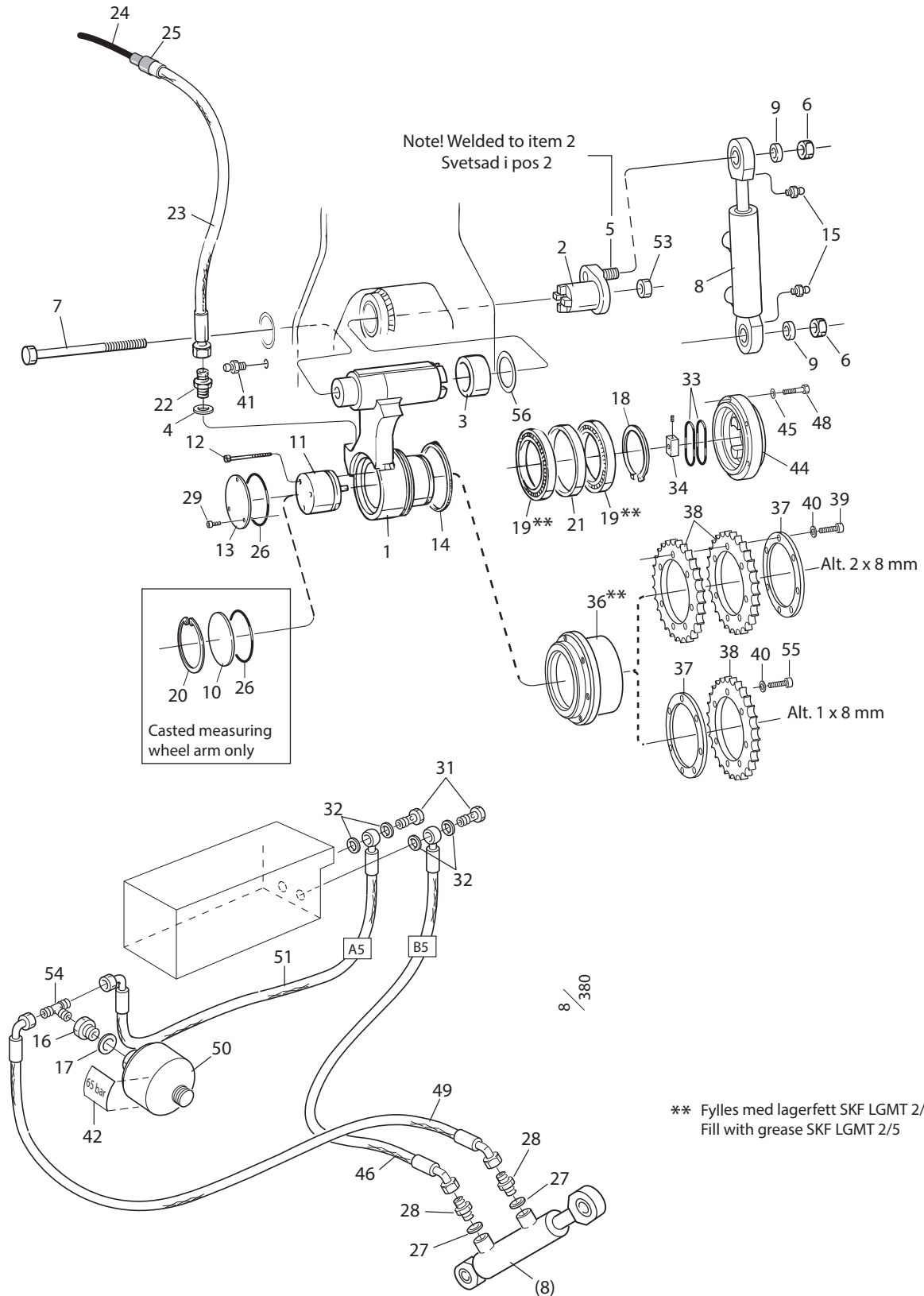


## Reduction gear Bonfiglioli

Structure 609060				
Pos.	Part no.	Quantity	Description	Specification
1	635053	1	Circlip	SGH 190
2	635061	1	Plug	
3	635076	1	Cover cmpl	
4	635060	1	Spacer	
5		1	O-ring	
6	635059	1	Sun gear	
7	635058	1	Splined shaft	
8	635073	4	Screw	
9	635077	1	Reduction kit, primary	
10	635078	1	Reduction kit, secondary	
11		4		
12	635074	1	Växelhus	
13	635050	2	Bearing	
14	635051	1	Spacer	190x175
15	635067	1	Circlip	
16	635052	1	Seal	
17	635062	1	Plug	
18	635075	1	Hub	
19	601001	1	Hex plug	1/4"
20	635056	1	Washer	
21	635057	1	Shaft	
22		1	O-ring	
	011272	1	Seal kit cmpl.	



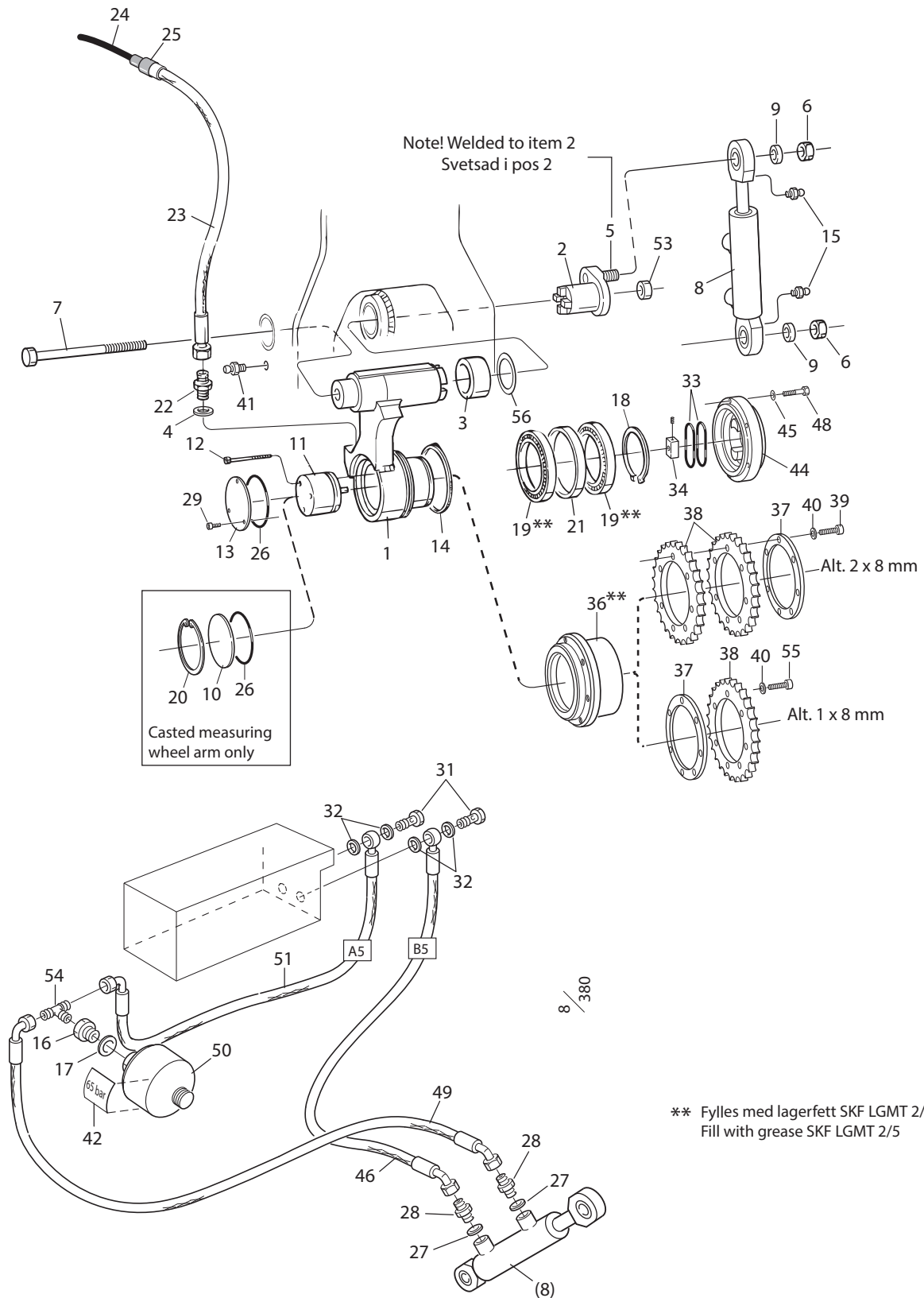
## 4. Measuring



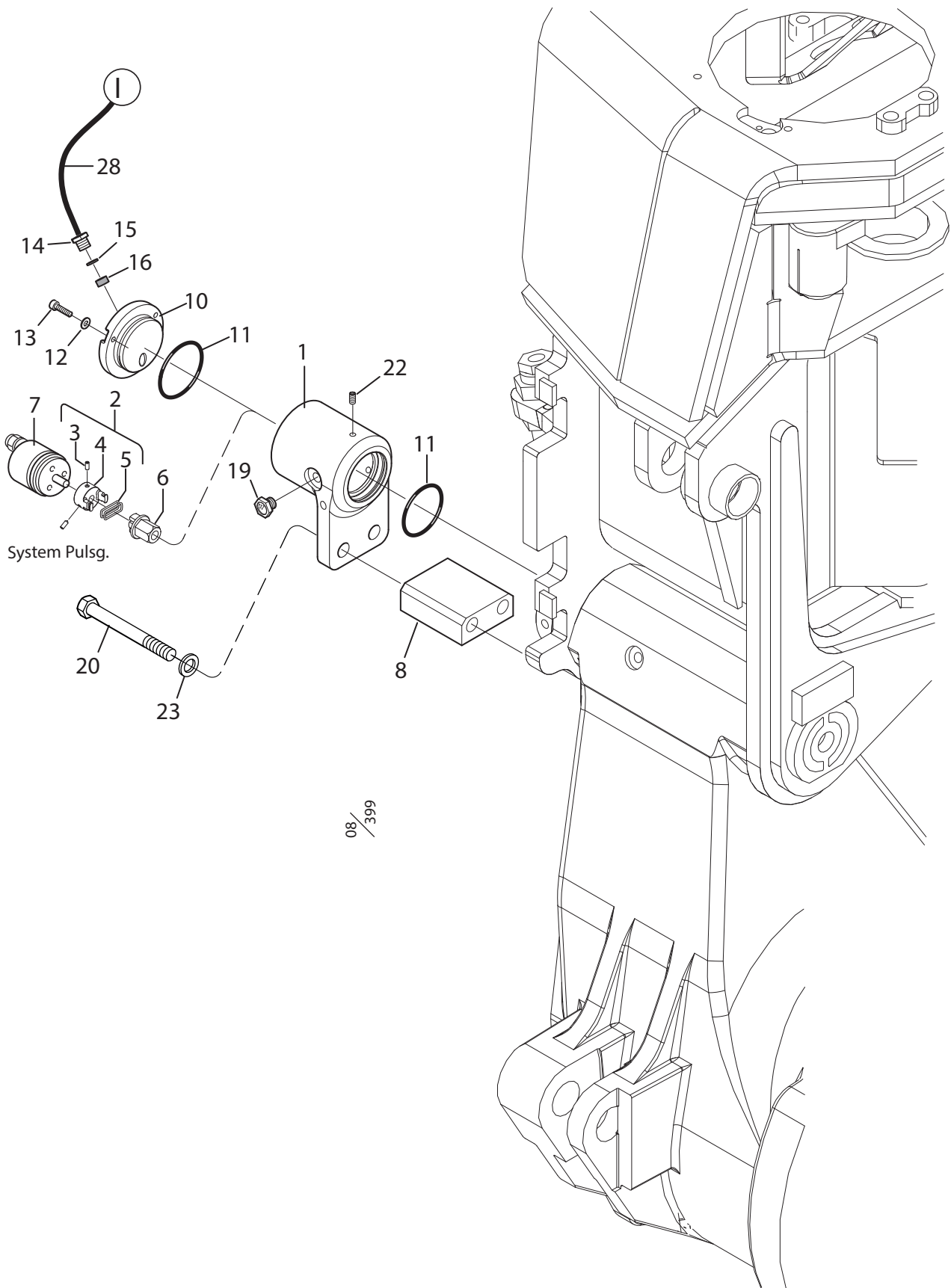


## Measuring wheel

Structure 006110-3, 006131-MONT				
Pos.	Part no.	Quantity	Description	Specification
1	017209		Wheelarm	Welded/svetsad standard
	015477	1	Wheelarm	Casted/gjuten option
2	016084	1	Companion	
3	012181	1	Spacer	
4	601102	1	Seal ring	3/8"
5	015167	1	Pin	
6	502056	2	Low nut	M12
7	505077	1	Screw	M6S M14x240 10.9
8	018870	1	Hydraulic cylinder	
9	010170	2	Spacer	
10	015443	1	Cover	
11	401104	1	Encoder	80 ppr
12	500511	3	Screw	MCS 3x45
13	010799	1	Cover plate	Welded arm only
14	546002	1	Seal ring	
15	625004	2	Grease nipple	M6
16	601030	1	Coupling	1/4"-1/2"
17	601103	1	Seal ring	G 1/2"
18	517068	1	Circlip	SGA 70
19	508043	2	Bearing	61814
20	517254	1	Circlip	SGH 75
21	012980	1	Spacer ring	
22	601032	1	Coupling	G 3/8" UF-UF
23	645308	1	Hose 5308	
24	401025	1	Cable	PUR L=2 m 4x0,5
25	015113	1	Shrinking tubing	L=50 mm
26	540130	1	O-ring	67x3.0
27	601102	2	Seal ring	G 3/8"
28	601032	2	Coupling	BSP -06
29	501013	3	Socket screw	MC6S M4X10 12.9
31	601060	2	Banjo bolt	G 1/4"
32	601200	4	Seal ring	Ø 13x19x1,5
33	540116	2	O-ring	22.2X3.0



Structure				
Pos.	Part no.	Quantity	Description	Specification
34	014765	1	Driver	
36	012965	1	Hub	
37	012976	1	Spacer	
38	013237	2	Wheel rim	5/8" x 182
39	501049	6	Socket screw	MC6S 6x30 12.9
40	503065	6	Washer	Nordlock M6
41	625000	4	Grease Nipple	G 1/8" – r
42	519124	1	Decal	65 bar
44	014280	1	Cover	M2000B
45	503066	6	Washer	M5 Nordlock
46	645309	1	Hose 5309	
48	500008	6	Screw	M6S M5x25
49	645578	1	Hose 5578	
50	610120	1	Accumulator	0,16 L - 0 Bar EMPTY/ OLADDAD
	610113	1	Accumulator	0,16 L - 65 Bar LOADED/ LADDAD
51	645579	1	Hose 5579	
52	601065	1	Banjo bolt	G 1/4"
53	502076	1	Nut	M14
54	601015	1	T-coupling	1/4"
55	501046	6	Socket screw	MC6S 6x20 12.9
56	507001	Erf.	Shim	36X45X1.0
	507002	Erf.	Shim	36X45X0.5
	507003	Erf.	Shim	36X45X0.3



08/399

## Diameter measuring

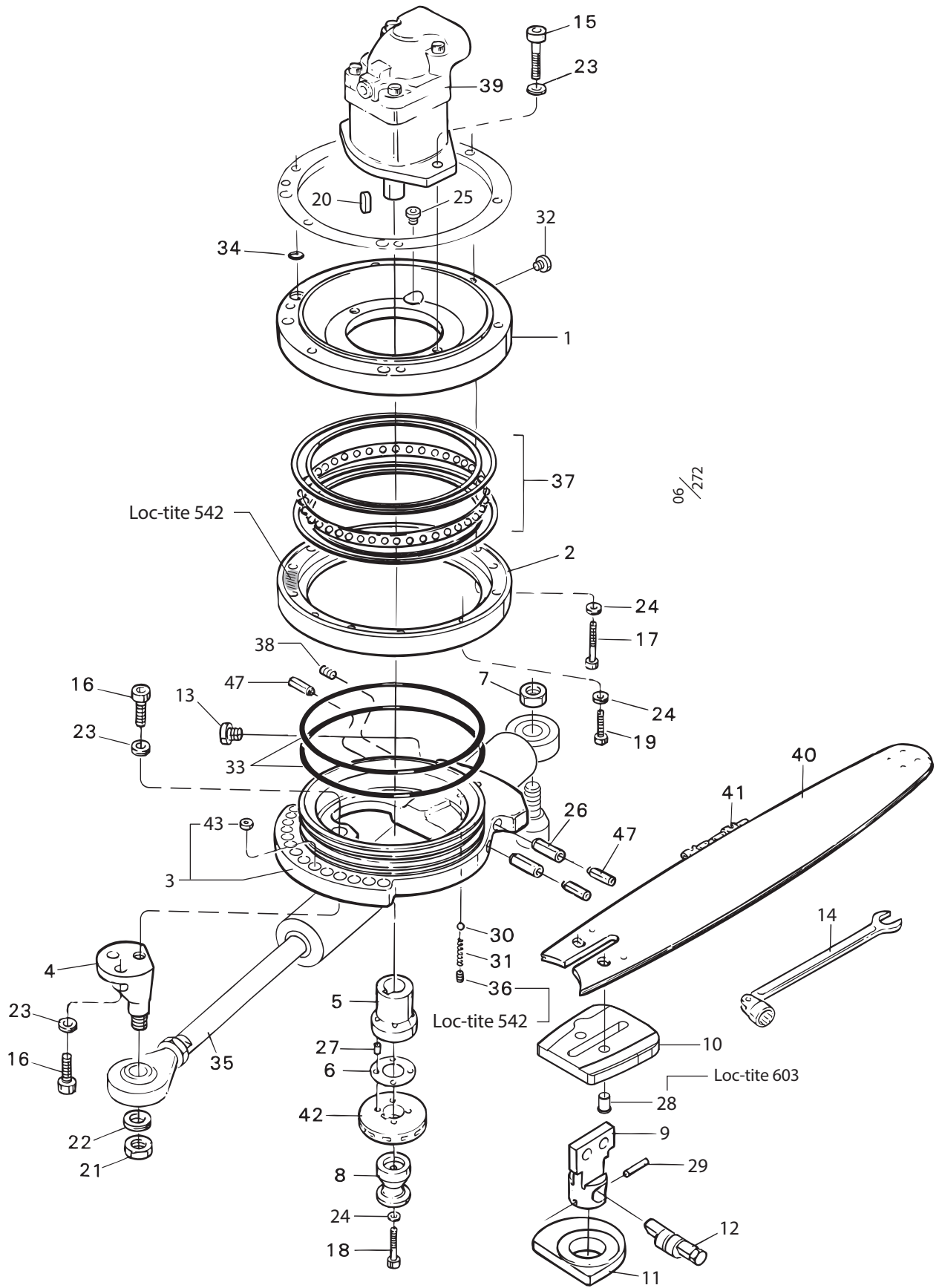
Structure 006190				
Pos.	Part no.	Quantity	Description	Specification
1	401267	2	Housing diameter	
2	017737	2	Shaft cmpl.	
3	513001	4	Socket screw	S6SS M3X8
4	017633	2	Pin holder	
5	540009	4	O-ring	12.1X1.6
6	017634	2	Hexagon plug	
7	401314	2	Encoder	^ 600ppr
8	016166	2	Spacer	
10	017032	2	Cover	
11	543033	4	O-ring	45,0x2,0
12	503067	6	Washer	M4
13	501014	6	Socket screw	MC6S M4x12
14	401260	2	Nut	PG7
15	401261	2	Washer	PG7
16	401262	2	Rubber bushing	PG7
19	602317	4	Filter plug	G1/8"
20	501119	4	Socket screw	MC6S 12x100 12.9
22	513010	6	Socketset screw	MS6SS M6x8
23	503060	4	Washer	Nordlock M6
28	401025	1	Cable	Pur 4x0.5
	402580	1	Cable	Log Mate 500



## 5. Saw unit

# 5. Saw unit

## Log Max 7000XT Fixed Head Spare part manual



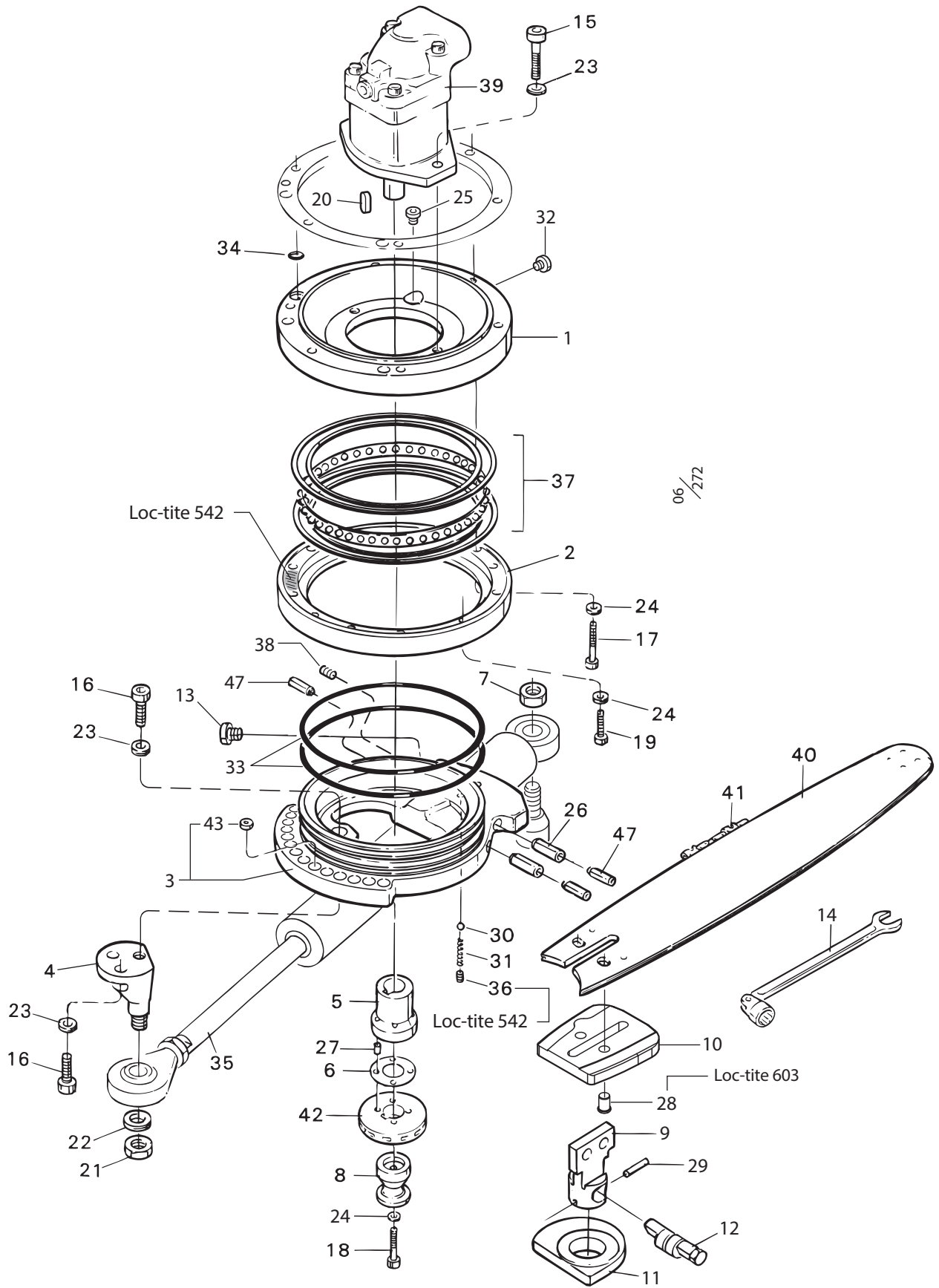


## Saw unit, top saw 98XL

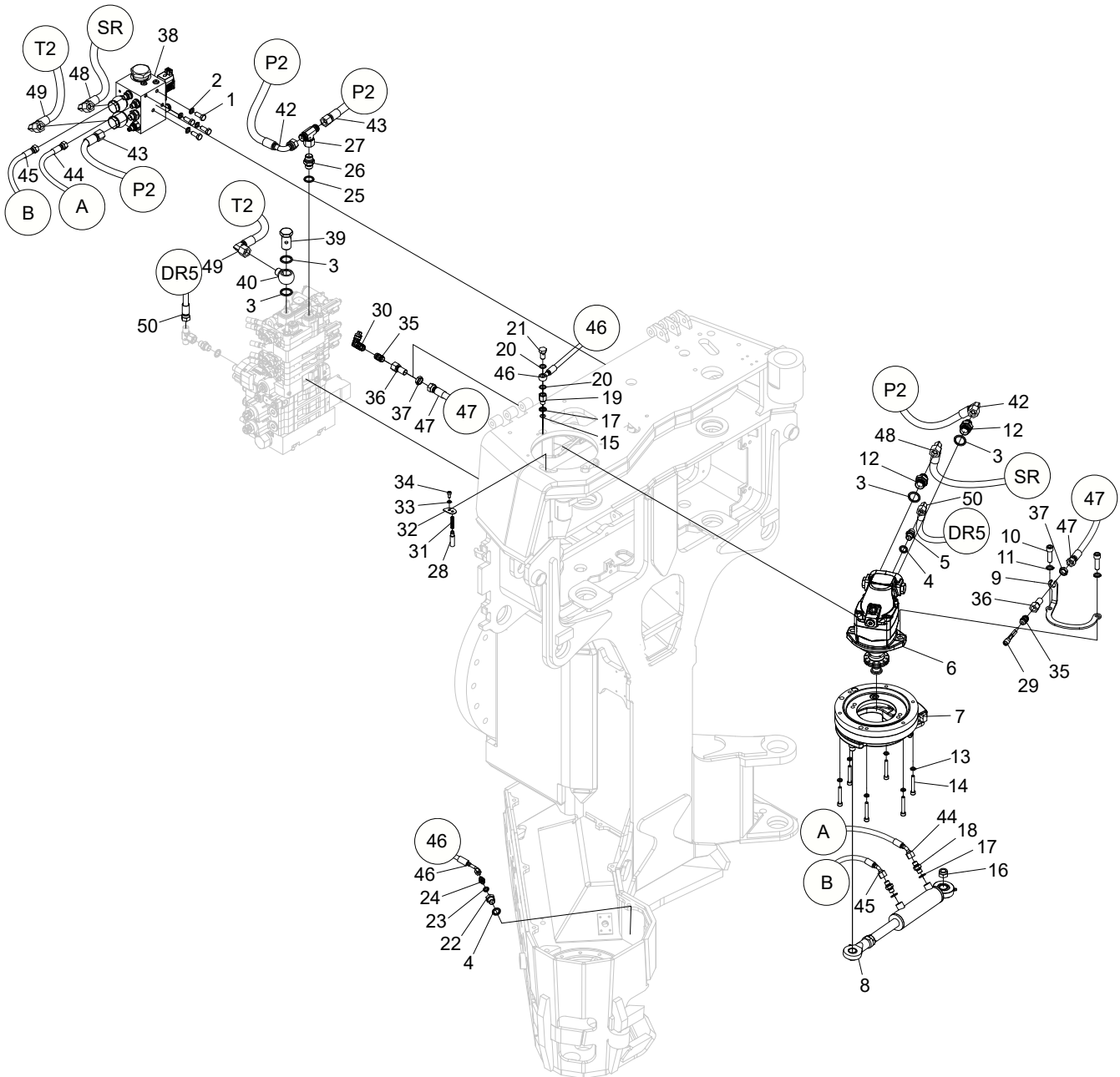
Structure 032111-MOTOR				
Pos.	Part no.	Quantity	Description	Specification
1	013172	1	Bracket	F11-19
2	012514	1	Cover	
3	014570	1	Saw bracket	Saw 98XL
4	012335	1	Pin	
5	012334	1	Companion	F11-19
6	549210		Shim	t=0,5mm
	549211		Shim	t=1,0mm
7	502058	1	Nut	M16
8	012614	1	Chain catcher	F11-19
9	013684	1	Pin	Saw 98XL
10	016936	1	Thrust plate	Saw 98XL
11	015256	1	Excenter	"J" Saw 98XL
12	012519	1	Lock shaft	"E"
13	601001	1	Hex plug	1/4"
14	522260	1	Comb. wrench	
15	501111	2	Socket screw	M12x40 12.9
16	501108	3	Socket screw	M12x25 12.9
17	501076	6	Socket screw	M8x55 12.9
18	501075	1	Socket screw	M8x50 12.9
19	501071	6	Socket screw	M8x30 12.9
20	554027	1	Pin key	
21	502706	1	Nut low	M16
22	503063	1	Washer	NL16
23	503060	5	Washer	NL12
24	503055	13	Washer	NL8
25	602090	1	Plug	M22x1.5
26	515022	2	Cyl. Pin	Ø12x36
27	515010	4	Cyl. Pin	Ø6x20
28	016774	1	Cyl. Pin	Ø10x16
29	515013	1	Tension pin	Ø6x32
30	511003	1	Steel ball	
31	526014	1	Spring	
32	602106	1	Hex plug	1/8"

# 5. Saw unit

## Log Max 7000XT Fixed Head Spare part manual

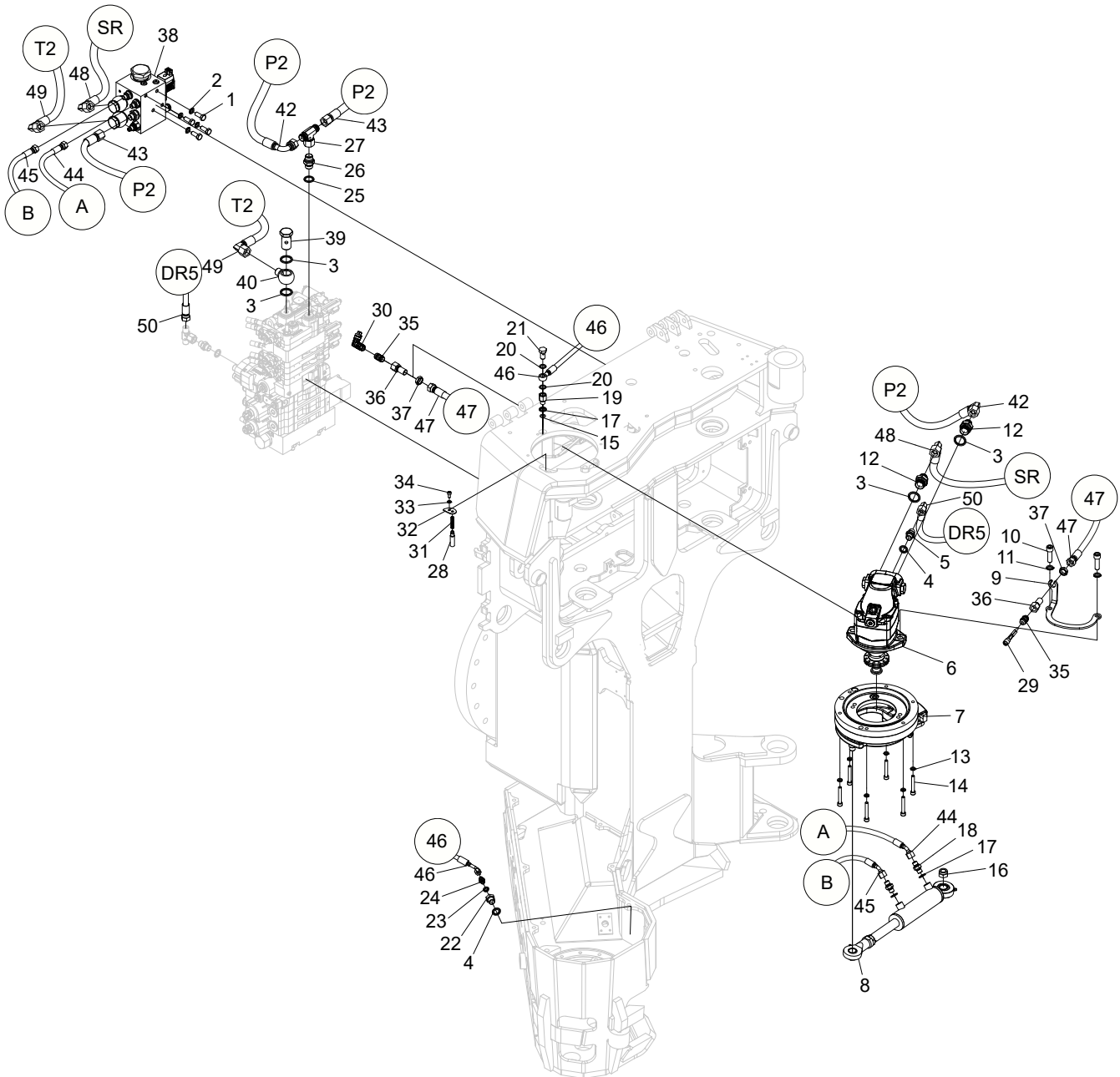


Structure				
Pos.	Part no.	Quantity	Description	Specification
33	543038	2	O-ring	Ø180x3,0
34	540070	1	O-ring	Ø13,3x2,4
35	015669	1	Hydraulic cylinder	
36	613017	1	Orifice	Ø 2,5
37	508100	1	Bearing unit	
38	513040	1	Screw	M6x6
39	609118	1	Saw motor	
	554232	1	Seal kit	
40	549318-167	1	Saw bar	18H 67CM
41	549018-079	1	Saw chain	18H 79DL
42	549103	1	Sprocket	F11-19/12
43	514051	14	Magnet	6x5
47	515017	3	Cylinder pin	FRP 13x12

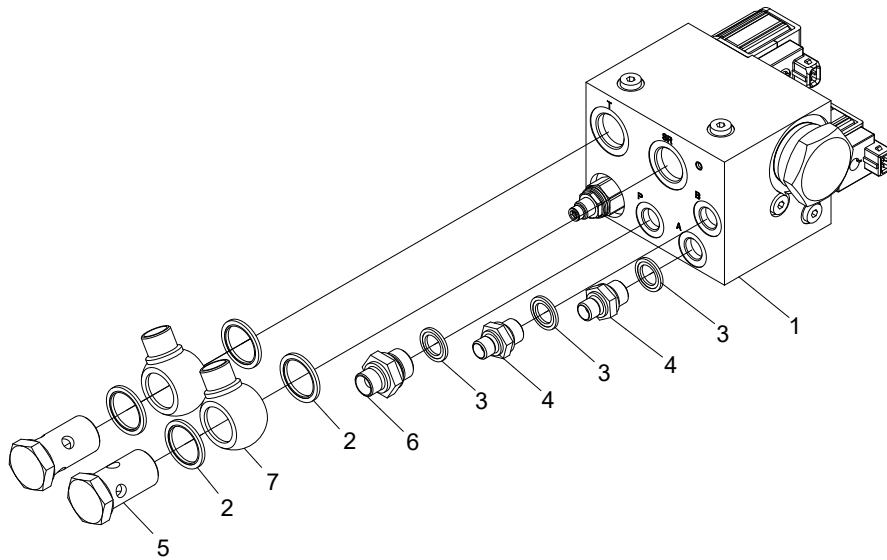


## Top saw, hydraulics

Structure 006125FH-3				
Pos.	Part no.	Quantity	Description	Specification
1	500068	4	Screw	M10x25 8.8 FZB
2	503057	4	Washer	NL10
3	601104	4	Bonded seal	3/4"
4	601102	3	Bonded seal	3/8"
5	601032	2	Adapter	BSP -06
6	032111- MOTOR		Saw motor	
7	032113- MEKAN		Saw unit	
8	015669	1	Hydraulic cylinder	
9	015743	1	Bracket	
10	501111	2	Screw	M12x40 12.9
11	503060	6	Washer	NL12
12	601037	2	Adapter	1/2" - 3/4"
13	503055	6	Washer	NL8
14	501076	6	Screw	M8x55 12.9
15	540070	1	O-ring	13,3x2,4 NBR70
16	502705	1	Nut	M16
17	601101	3	Bonded seal	1/4"
18	601028	2	Adapter	BSP -04
19	602055	1	Adapter	BSP -04
20	601200	2	Copper seal	13x19x1,5
21	601060	1	Banjo screw	1/4"
22	602074	1	Adapter	BSP -06/ BSP -02
23	601100	1	Bonded seal	1/8"
24	601025	1	Adapter	1/8"
25	601103	1	Bonded seal	1/2"
26	601036	1	Adapter	1/2"
27	601017	1	Adapter	1/2"
28	017283	1	Sensor	
29	402587	1	Cable	
30	402315	1	Contact	
31	526015	1	Spring	DIN 2098
32	012282	1	Bracket	



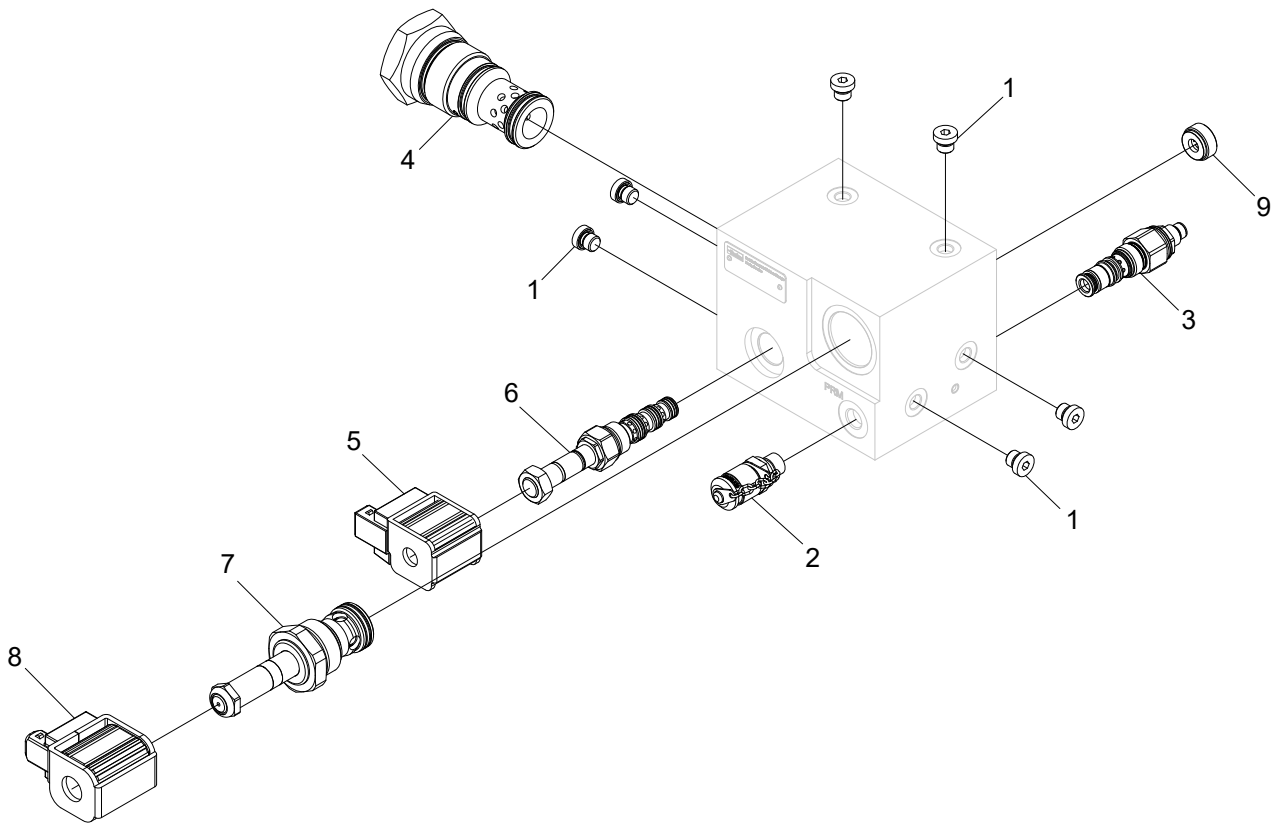
Structure				
Pos.	Part no.	Quantity	Description	Specification
33	503065	1	Washer	NL6
34	501043	1	Screw	M6x12 12.9
35	401770	2	Cable gland	
36	014287	2	Bulkhead	3/8" - PG9
37	601249	2	Nut	3/8"
38	044161- MONT	1	Manifold	
39	601067	1	Banjo screw	3/8"
40	602009	1	Banjo body	3/8" / 1/2"
42	647749	1	Hydraulic hose	
43	647753	1	Hydraulic hose	
44	647754	1	Hydraulic hose	
45	647755	1	Hydraulic hose	
46	645473	1	Hydraulic hose	
47	645461	1	Protection hose	
48	647756	1	Hydraulic hose	
49	647757	1	Hydraulic hose	
50	647764	1	Hydraulic hose	





## Top saw, manifold

Structure 044161-MONT				
Pos.	Part no.	Quantity	Description	Specification
1	017724	1	Manifold	
2	601104	4	Bonded seal	3/4"
3	601102	3	Bonded seal	3/8"
4	601029	2	Adapter	1/4" – 3/8"
5	601067	2	Banjo screw	3/4"
6	601033	1	Adapter	3/8" – 1/2"
7	602009	2	Banjo body	BSP -12/-08

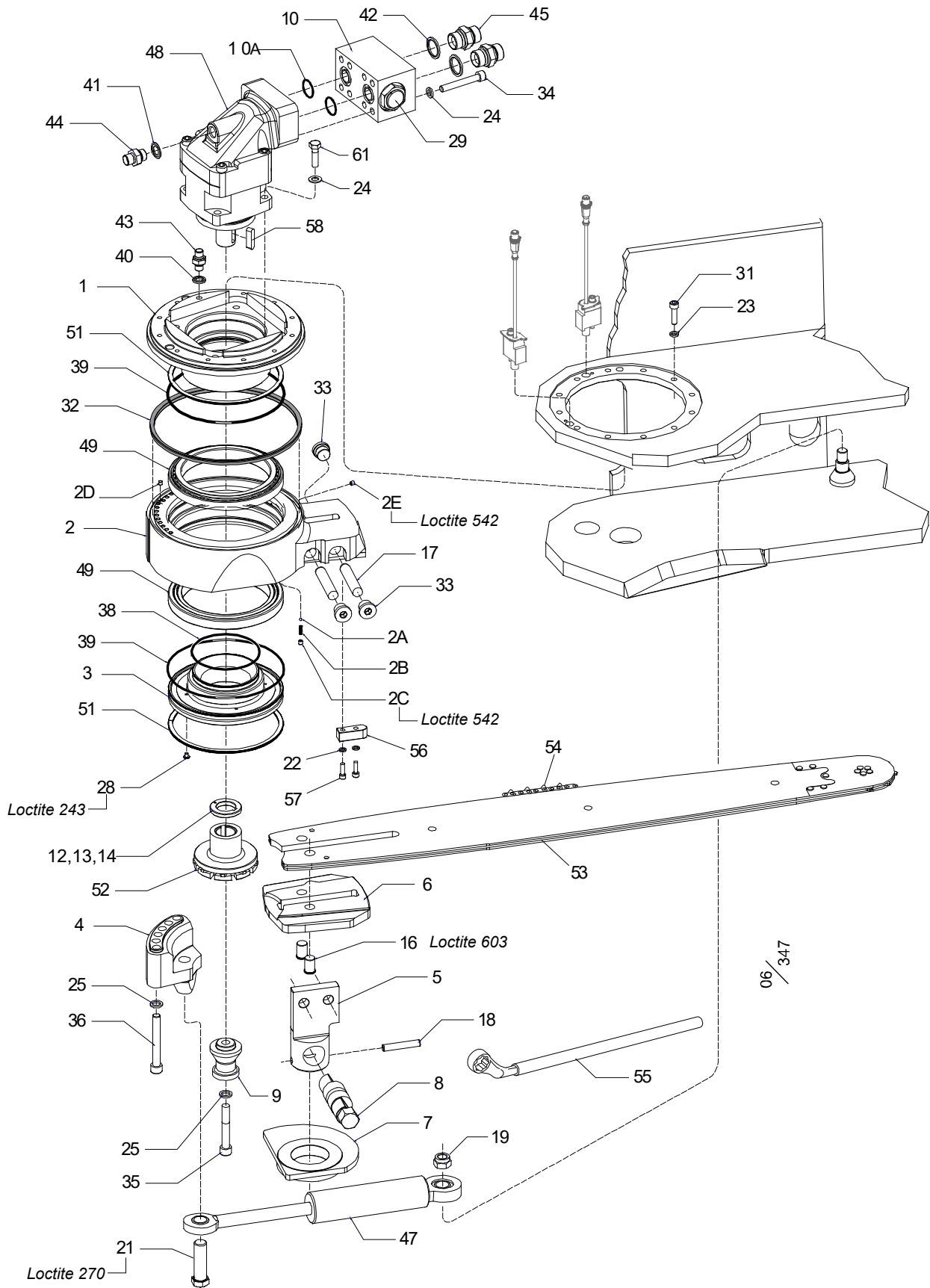


## Top saw, manifold

Structure 017724				
Pos.	Part no.	Quantity	Description	Specification
1	601000	6	Hex plug	
2	601261	1	Test point	1/4"
3	611206	1	Pressure reducing valve	
4	612131	1	Logic element	
5	612133	1	Solenoid	1/2"
6	612134	1	Directional valve	
7	612135	1	Directional valve	
8	612136	1	Solenoid	5/8"
9	613112	1	Orifice	1/2"

# 5. Saw unit

## Log Max 7000XT Fixed Head Spare part manual

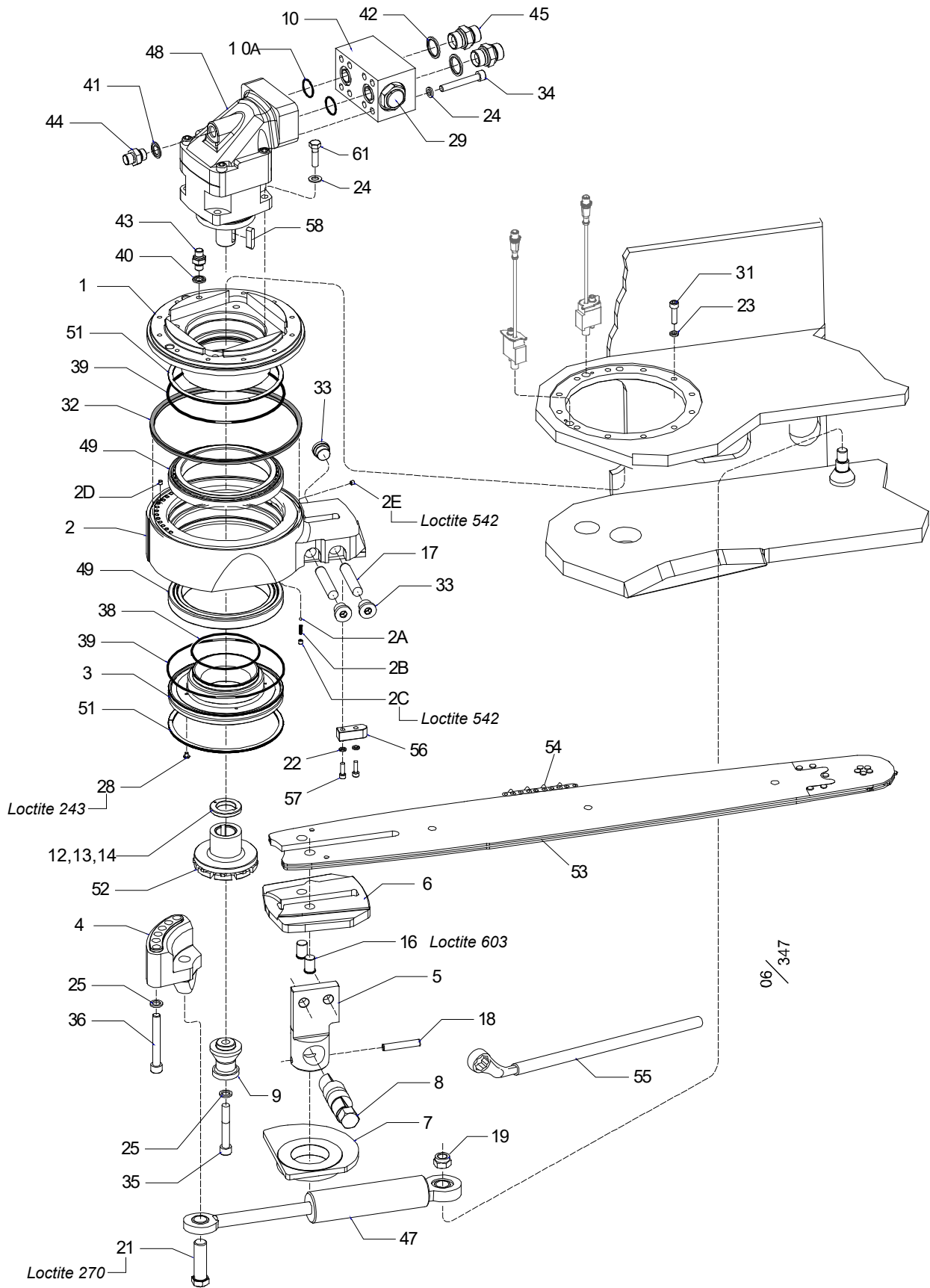


## 411XL (option)

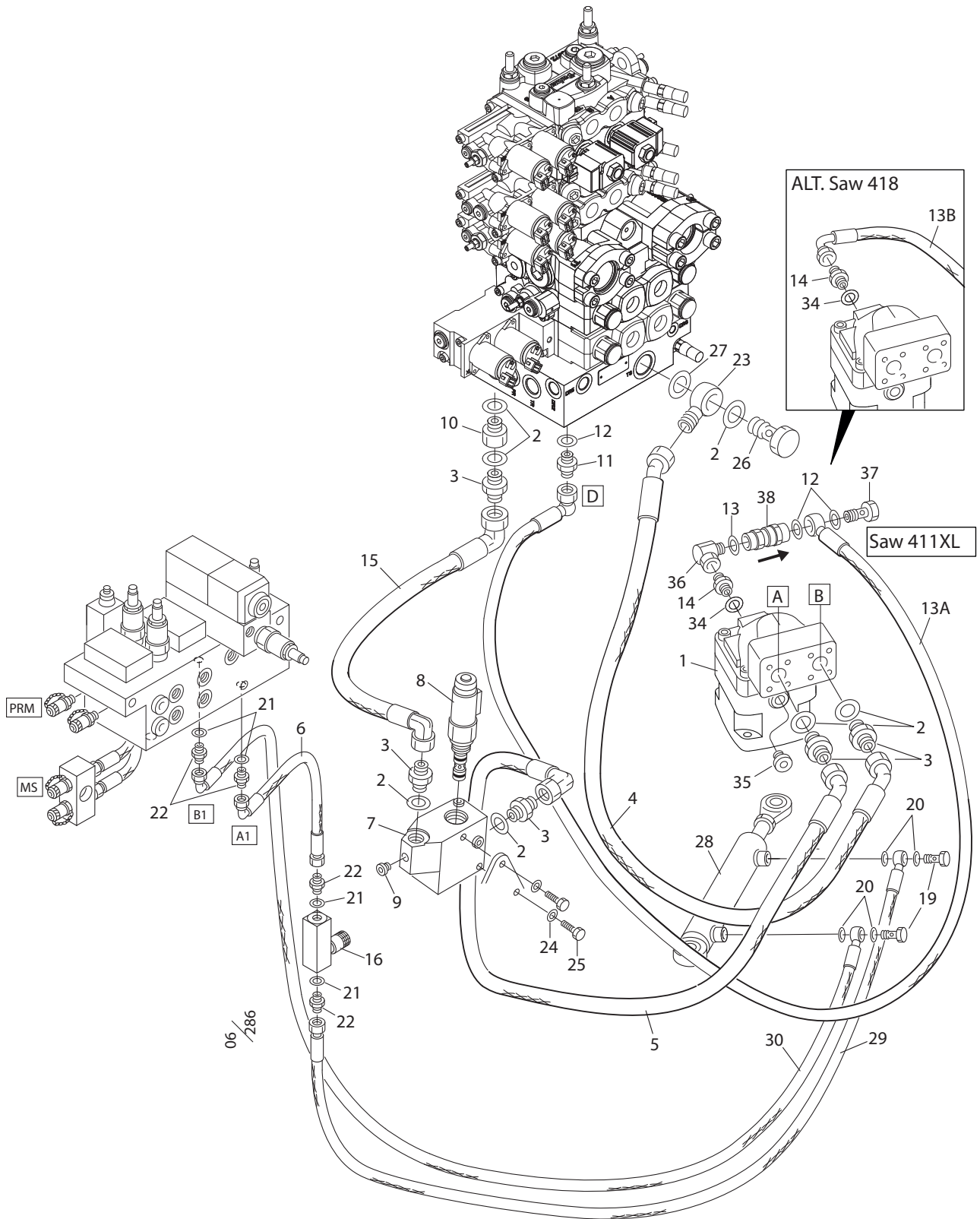
Structure 006550				
Pos.	Part no.	Quantity	Description	Specification
1	016777	1	Bracket	60CC
2	016866	1	Saw bracket	
	511003	1	Steel ball	
	526014	1	Spring	
	613017	1	Orifice	Ø = 2,5
	513040	1	Screw	P6SS 6x6
	514051	14	Magnet	6x5
	503065	2	Washer	Nordlock M6
	014937	1	Key	
	501046	2	Socket screw	MC6S M6x20 12.9
3	014933	1	Sleeve	
4	017020	1	Cylinder bracket	
5	015775	1	Pin Saw	
6	016939	1	Thrust Plate	
7	016081	1	Excenter	
8	014935	1	Lock shaft	
9	016778	1	Chain Catcher	411XL
10	014991	2	Anti-cavitation Manifold	
	601001	1	Hex plug	1/4" G
	540154	2	O-ring	24,99x3,53
12	016779	1	Shims	35x55x6.0-6.5
13	016780	(1)	Shims	35x55x7.0-7.5
14	016781	(1)	Shims	35x55x8.0-8.5
16	016775	2	Cylinder pin	16x25
17	515026	2	Cylinder pin	16m6x80
18	515025	1	Tension pin	FRP 10x60
19	502058	1	Nut	M16 LOW
21	017021	1	Guide screw	411 / 418
22	503065	2	Washer	Nordlock M6
23	503055	12	Washer	Nordlock M8
24	503076	12	Washer	WIDE/STOR Nordlock M12
25	503060	7	Washer	Nordlock M12
26	503063	1	Washer	Nordlock M16

# 5. Saw unit

## Log Max 7000XT Fixed Head Spare part manual



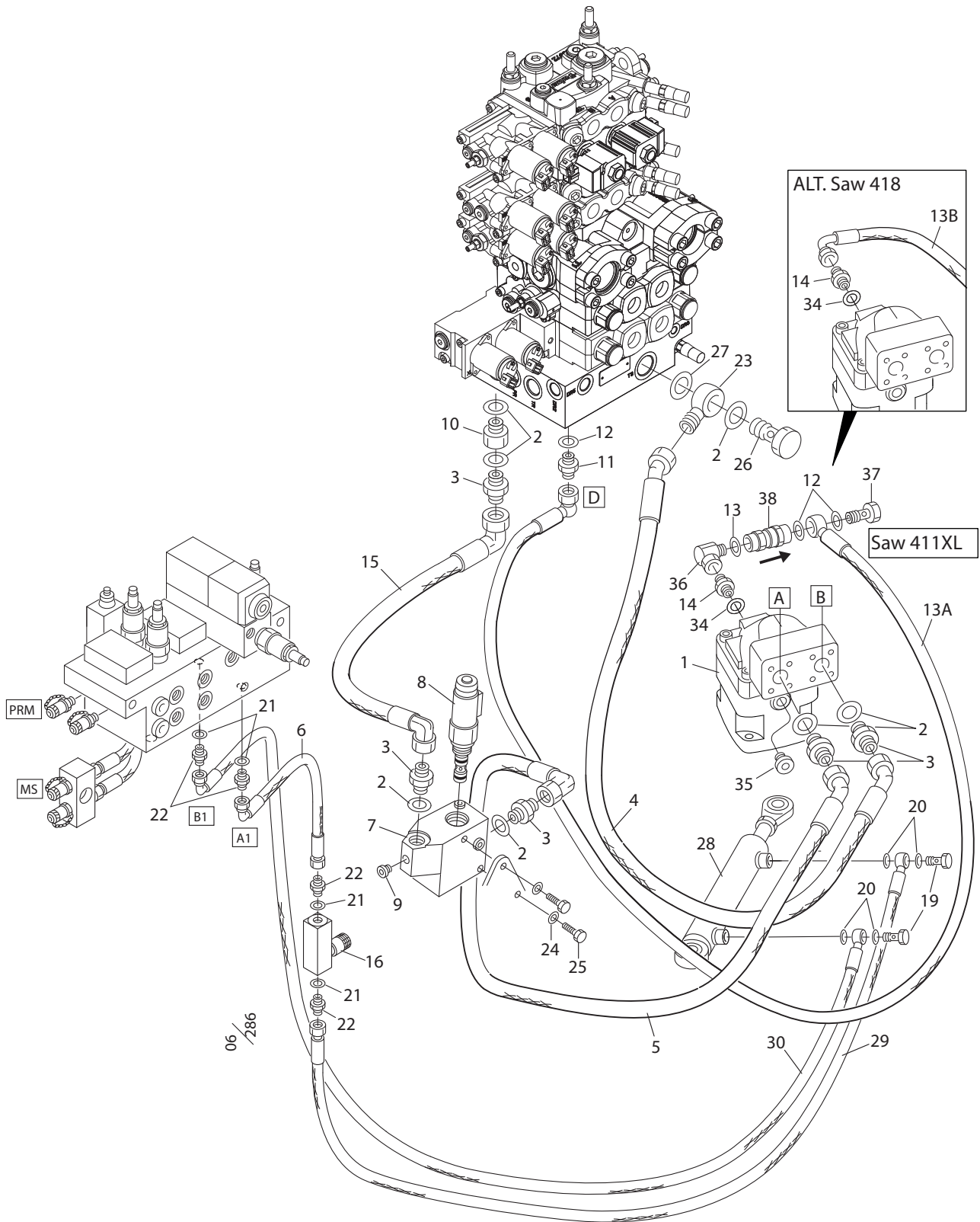
Structure				
Pos.	Part no.	Quantity	Description	Specification
28	513005	4	Screw	MS6SS M8x12
29	617039	1	Check valve	CVH1G1P
31	501071	12	Socket screw	MC6S M8x30 12.9
32	546041	1	Seal ring	220mm
33	601003	4	Plug	G 1/2"
34	501097	8	Socket screw	MC6S M10x70 12.9
35	500100	1	Socket screw	MC6S M12x75 12.9
36	501118	6	Socket screw	MC6S M12x90 12.9
37	617039	1	Check Valve	
38	543064	1	O-ring	104.5x3
39	543032	2	O-ring	182.0x3.0
40	601101	1	Seal ring	G 1/8"
41	601111	1	Seal ring	M22
42	601104	2	Seal ring	G 3/4"
43	601025	1	Coupling	R1/8"UF-R1/8"UF
44	608004	1	Coupling	M22x3/8"
45	601040	2	Coupling	G 3/4"UF-UF
46	608022	1	Plug	M22
47	015669	1	Cylinder	40/25x106
48	609120	1	Saw Motor	F12-60 60cc
	554233	1	Seal kit	
49	508020	2	Tapered roller bearing	
51	546006	6	Seal ring	3 pcs/pos
52	549114	1	Sprocket	411 XL z=9
53	549311-034	1	Saw bar	11H 34"
	549311-036	1	Saw bar	11H 36" (Option)
54	549011-053	1	Saw chain	11H-53 DL
	549011-056	1	Saw chain	11H-56 DL (Option)
55	522217	1	Tool	
56	014937	1	Key	
57	501046	2	Socket screw	MC6S M6x20 12.9
58	554077	1	Key	
61	500092	4	Screw	M6S M12X35 8.8 FZB





## Saw 411XL & 418 hydraulics

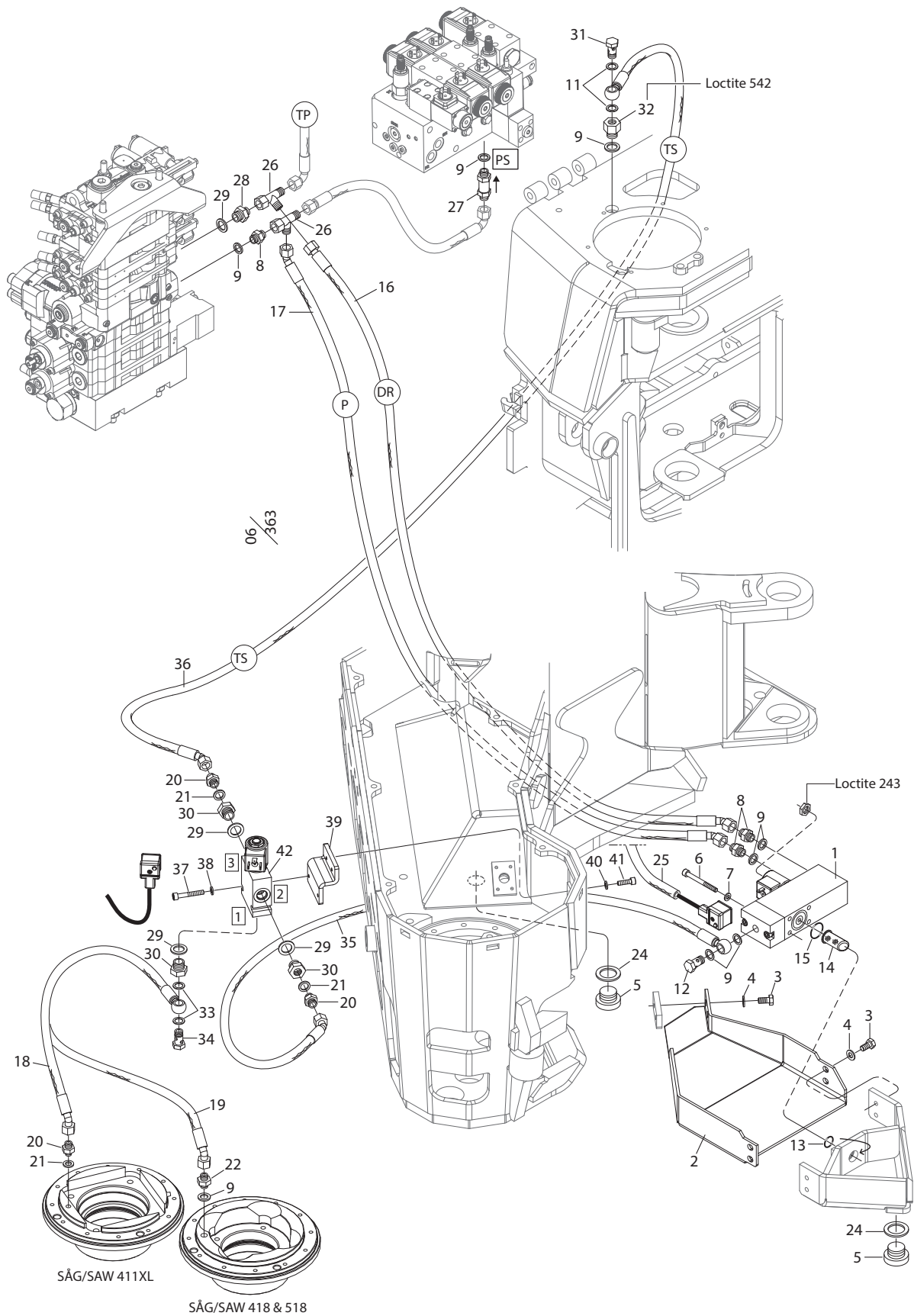
Structure				
Pos.	Part no.	Quantity	Description	Specification
1	609120	1	Saw motor	F12-60
2	601104	6	Seal ring	G 3/4"
3	601040	5	Coupling	G 3/4" UF-UF
4	645429	1	Hose 5429	
5	645451	1	Hose 5451	
7	016726	1	Manifold saw	EPV
	612034	1	Manifold	EPV
6	645453	1	Hose 5453	
8	10000803	1	Saw valve prop	EPV
	620355	1	Seal kit for	612062,612061
	613057	1	Solenoid	24 V
9	601001	2	Hex plug	G 1/4"
10	602057	1	Coupling	G 3/4"-G 3/4" UF-IF
11	601032	1	Coupling	G 3/8"UF-G3/8"UF
12	601102	4	Seal ring	3/8"
13	601102	1	Seal ring	3/8"
13A	645452	1	Hose 5452	
13B	645436	1	Hose 5436	
14	608004	1	Coupling	M22x3/8"
15	645450	1	Hose 5450	
16	617045	1	Check valve	
19	601060	2	Banjo bolt	G 1/4"
20	601200	4	Cu-washer	13x19x1,5
21	601101	4	Seal ring	1/4"
22	601028	4	Coupling	1/4" UF-UF
23	602017	1	Banjo body	3/4"
24	503075	2	Washer	Nordlock M10
25	500066	2	Screw	M6S M10x20 8.8
26	601067	1	Banjo bolt	G 3/4"
27	602109	1	Seal ring	G 3/4"
28	015669	1	Cylinder	40/25x106
29	645448	1	Hose 5448	
30	645431	1	Hose 5431	



Structure				
Pos.	Part no.	Quantity	Description	Specification
34	601111	1	Seal ring	M22
35	608022	1	Plug	M22
36	601071	1	Coupling	R3/8" UF-IR 90
37	601061	1	Banjo bolt	R3/8"
38	617010	1	Check valve	F11-IP/F12-60

# 5. Saw unit

## Log Max 7000XT Fixed Head Spare part manual



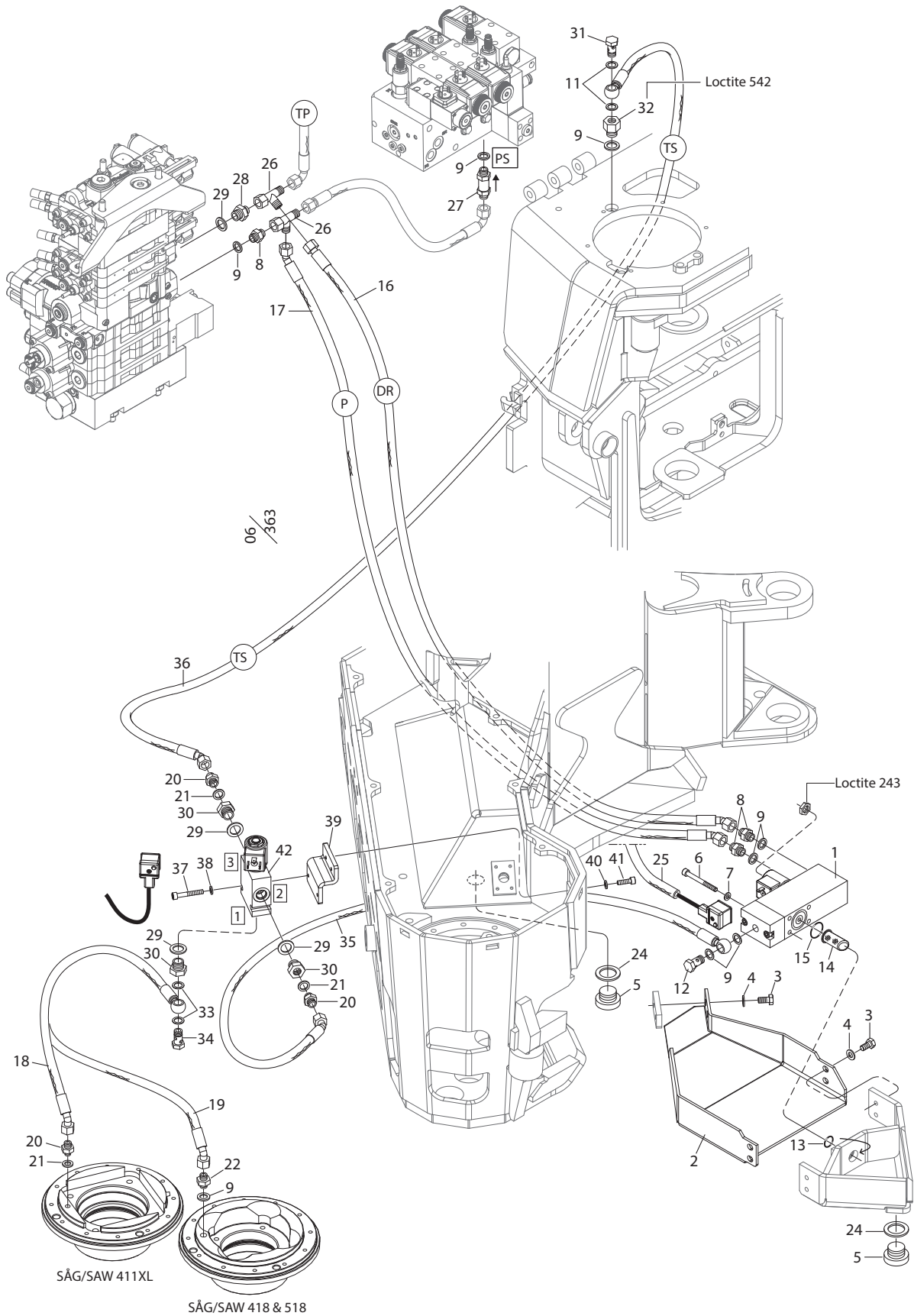
## Super Greasy hydraulics

Structure 006153FH-2, 047028				
Pos.	Part no.	Quantity	Description	Specification
1	022346	1	Super greasy cmpl.	
2	017293	1	Cover plate	
3	500042	6	Screw	M6S M8X16 8.8 FZB
4	503074	6	Washer	Nordlock Wide/Stor M8
5	015642	2	Magnetic plug	1/2"
6	501055	4	Screw	MC6S M6X60 12.9
7	503060	4	Washer	Nordlock M12
8	601028	3	Coupling	R1/4"UF-R1/4"UF
9	601101	8	Seal ring	1/4"
11	601200	2	Cu-washer	13X19X1.5
12	601068	1	Banjo bolt	R1/4"
13	540074	1	O-ring	Ø 17.3X2.4
14	620302	1	Filter	
15	543012	1	O-ring	Ø 27,6x2,4
16	645464	1	Hose 5464	
17	645463	1	Hose 5463	
18	645465	1	Hose 5465	
19	64XXXX	1	Hose XXXX	
20	601025	3	Coupling	R1/8"UF-R1/8"UF
21	601100	3	Seal ring	1/8"
22	601026	1	Coupling	R1/8"UF-R1/4"UF
24	601103	2	Seal ring	1/2"
25	615019	1	Hose	1,11 m
26	601010	2	T-coupling	1/4"
27	617008	1	Check valve	R1/4"
28	601029	1	Coupling	R1/4"UF-R3/8"UF
29	601102	1	Seal ring	3/8"
30	602074	3	Adaptor	3/8"-1/8"
31	601060	1	Banjo bolt	R1/4"
32	602055	1	Coupling	R1/4"-R1/4" UF-IF
33	601203	2	Seal ring	10X14X1.0
34	601064	1	Banjo bolt	R1/8"
35	64XXXX	1	Hose XXXX	

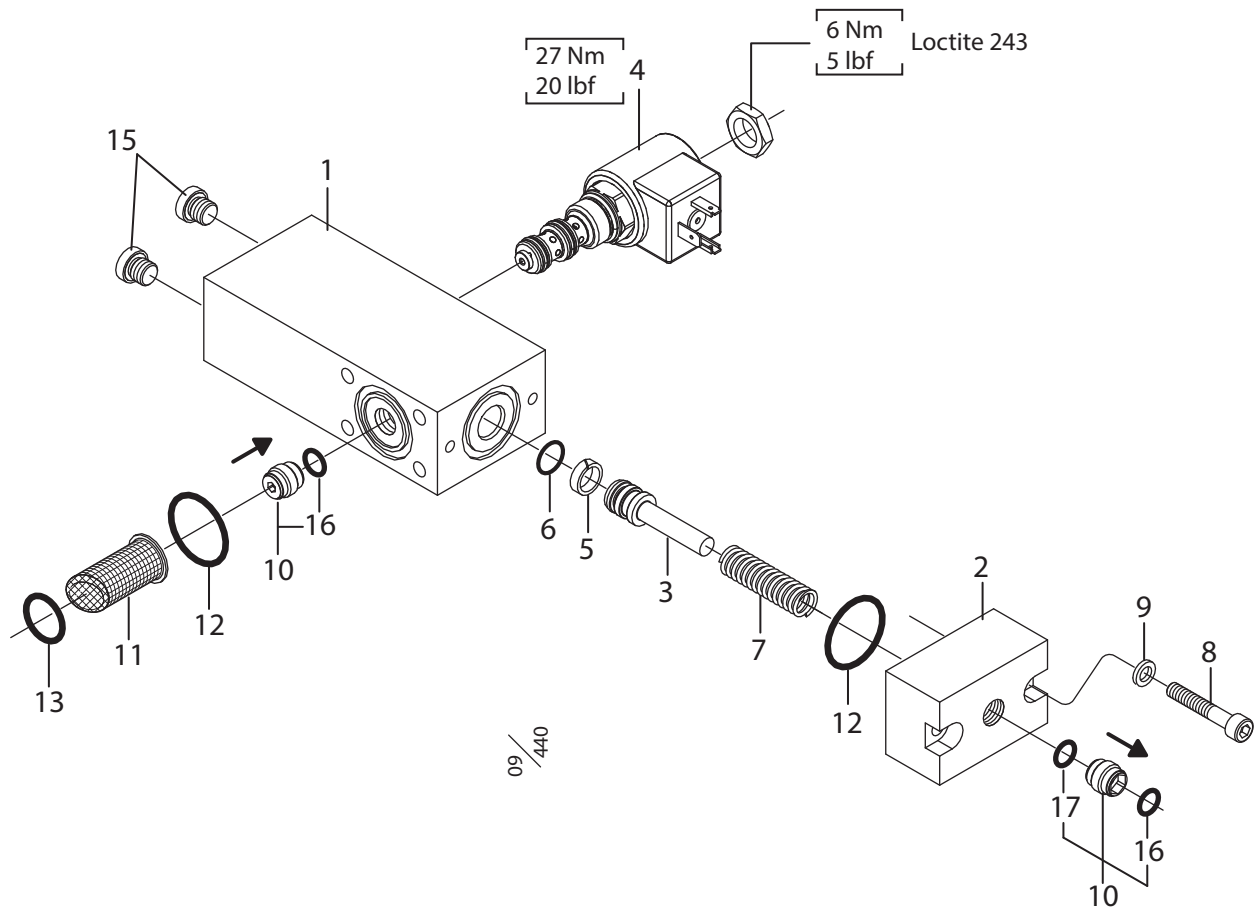
# 5. Saw unit

## Log Max 7000XT Fixed Head

### Spare part manual



Structure				
Pos.	Part no.	Quantity	Description	Specification
36	64XXXX	1	Hose XXXX	
37	501051	2	Socket screw	MC6S M6X40 12.9
38	503073	2	Washer	Nordlock Wide/Stor M6
39	017588	1	Plate	
40	503065	2	Washer	Nordlock M6
41	501045	2	Socket screw	MC6S M6X16 12.9
42	612200	1	Direct. Valve compl.	



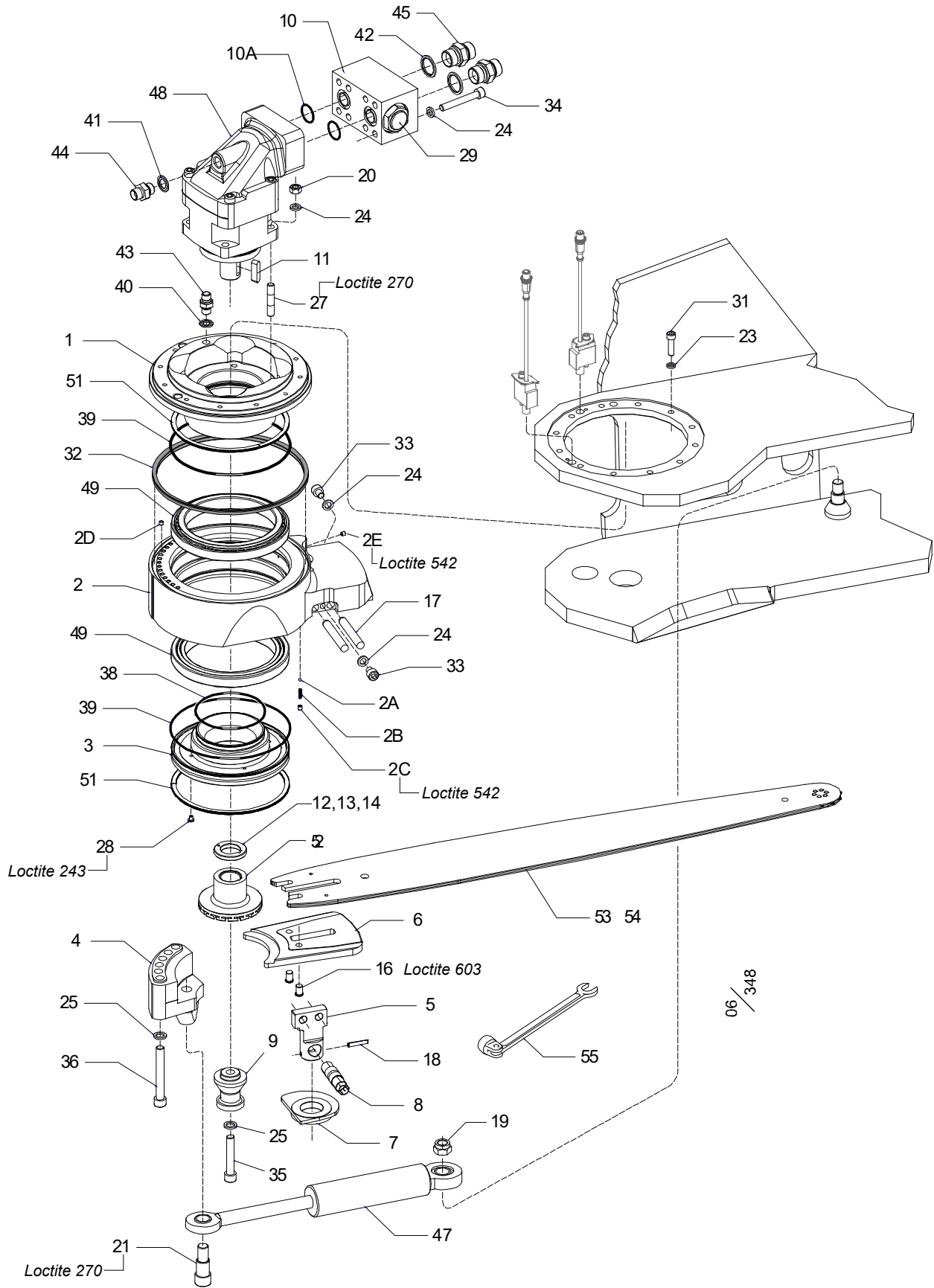


## Super Greasy

Structure 047028				
Pos.	Part no.	Quantity	Description	Specification
	047028		Pump compl	
1	017286	1	Pump	
2	017287	1	Cover	
3	016689	1	Piston	
4	612081	1	Valve	24V
5	546015	1	Guide ring	
6	546016	1	Seal ring	
7	526028	1	Spring	1,5x9x55
8	501050	4	Socket screw	MC6S M6X35 12.9
9	503065	4	Washer	M6
10	617016	2	Check valve	
11	620302	1	Filter	
12	543012	1	O-ring	Ø 27,6x2,4
13	540074	1	O-ring	17.3X2.4
15	601000	2	Hex plug	1/8"
16	543013	2	O-ring	9.5X1.0 Svart/Black
17	543057	1	O-ring	9.0X1.0 Grön/Green

# 5. Saw unit

## Log Max 7000XT Fixed Head Spare part manual



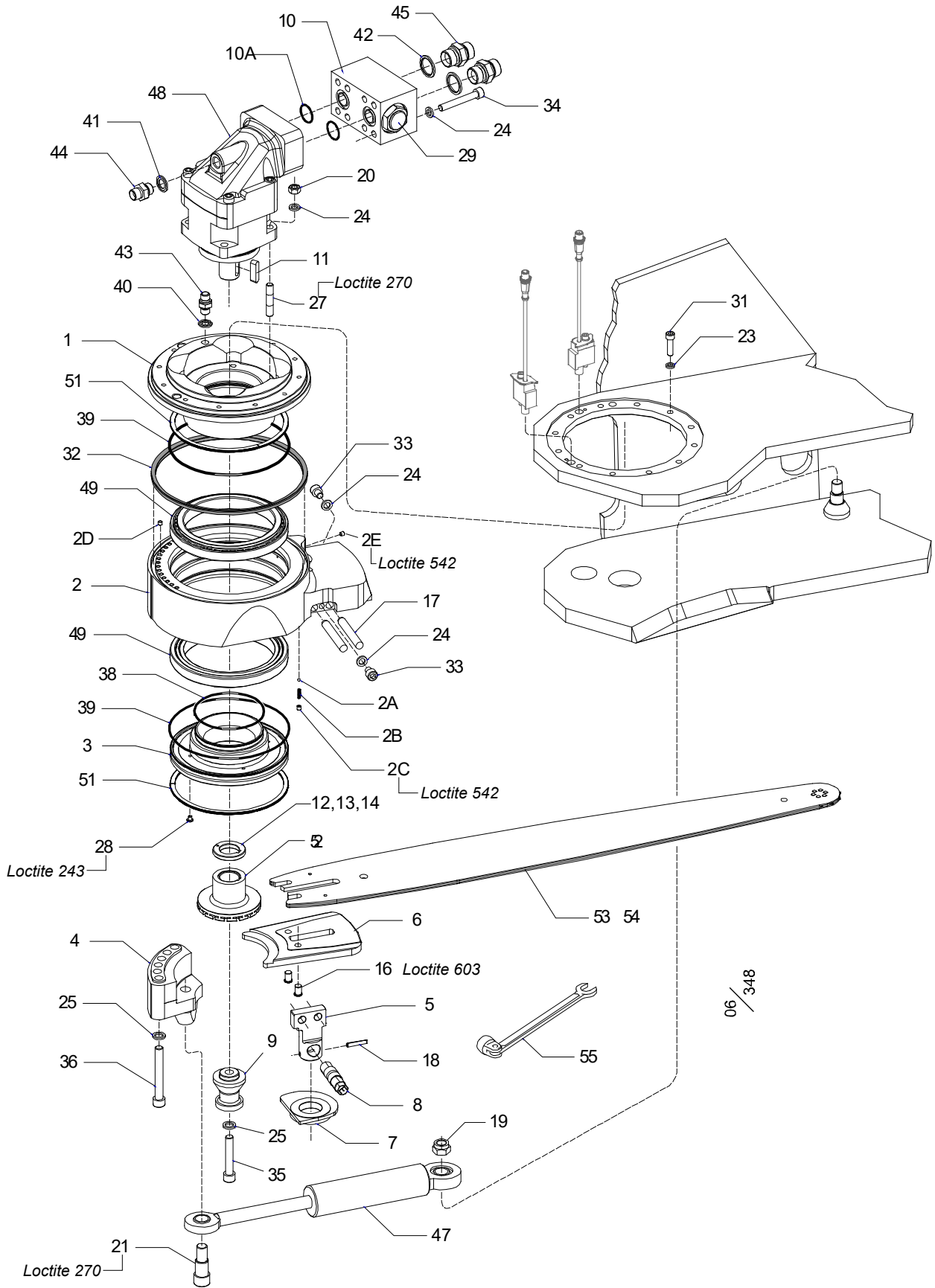
06/348

**Main saw, 418 (standard)**

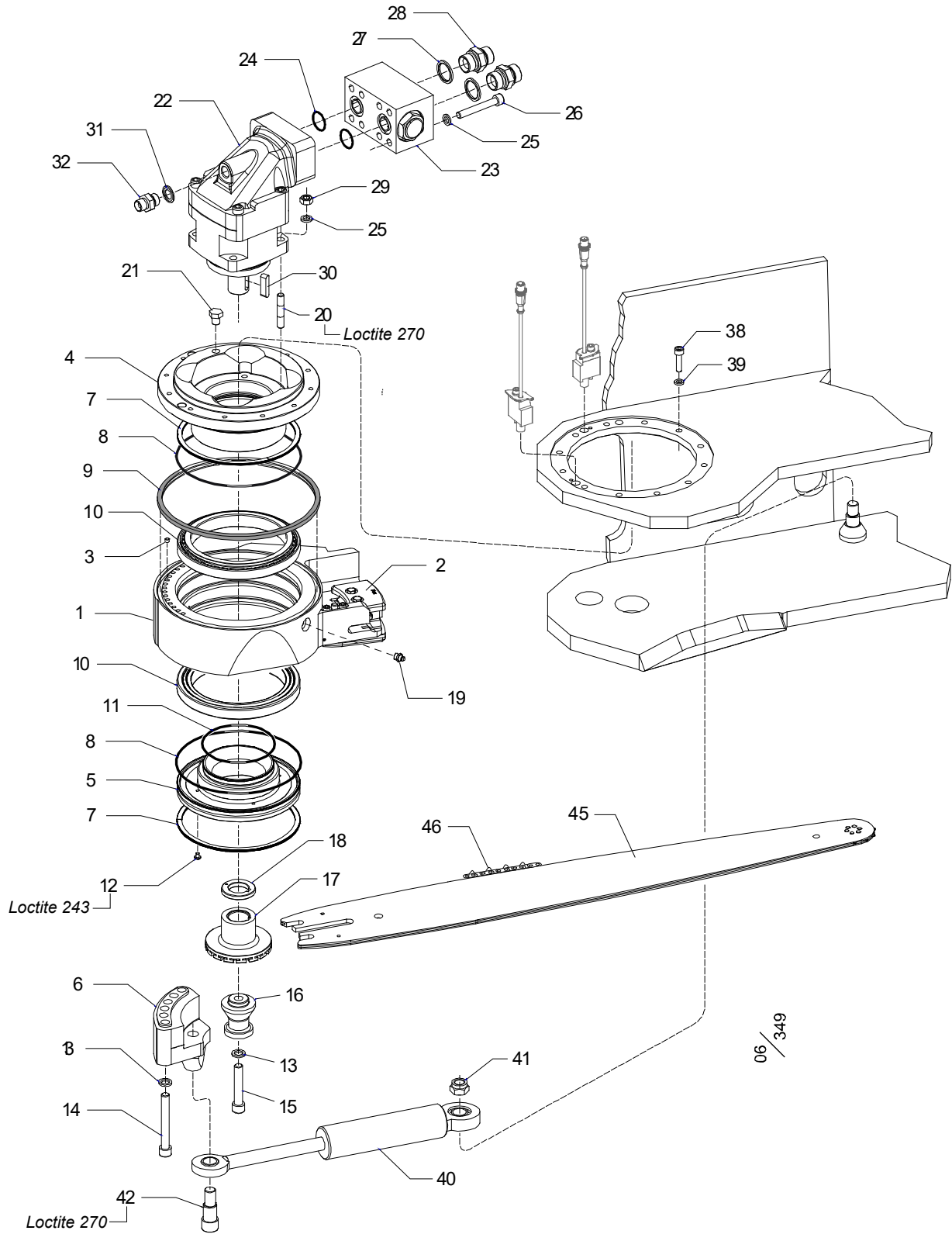
Structure 006106-418				
Pos.	Part no.	Quantity	Description	Specification
1	014932	1	Bracket	
2	015049	1	Saw bracket	
	511003	1	Steel ball	
	526014	1	Spring	
	613017	1	Orifice	Ø = 2,5
	513040	1	Screw	P6SS 6x6
	514051	14	Magnet	6x5
	503065	2	Washer	Nordlock M6
	014937	1	Key	
	501046	2	Socket screw	MC6S M6x20 12.9
3	014933	1	Sleeve	
4	017020	1	Cylinder bracket	411 / 418 / 518
5	013684	1	Center piece	"J"
6	016938	1	Thrust Plate	"J"
7	015256	1	Excenter	"J"
8	012519	1	Lock shaft	
9	015867	1	Chain Catcher	418/518
10	014991	2	Anticavitation Manifold	
	601001	1	Hex plug	¼" G
	540154	2	O-ring	24,99x3,53
11	554077	1	Key	
12	015043	1	Shims	30x50x7-7.5
13	015044	(1)	Shims	30x50x6-6.5
14	015045	(1)	Shims	30x50x8-8.5
16	016774	2	Cylinder pin	10x16
17	515027	2	Cylinder pin	12m6x80
18	515013	1	Tension pin	FRP 6x32
19	502058	1	Nut	M16 LOW
20	502006	4	Nut	M6M M10
21	017021	1	Guide screw	411 / 418 / 518
23	503055	12	Washer	Nordlock M8
24	503057	12	Washer	Nordlock M10
25	503060	7	Washer	Nordlock M12

# 5. Saw unit

## Log Max 7000XT Fixed Head Spare part manual

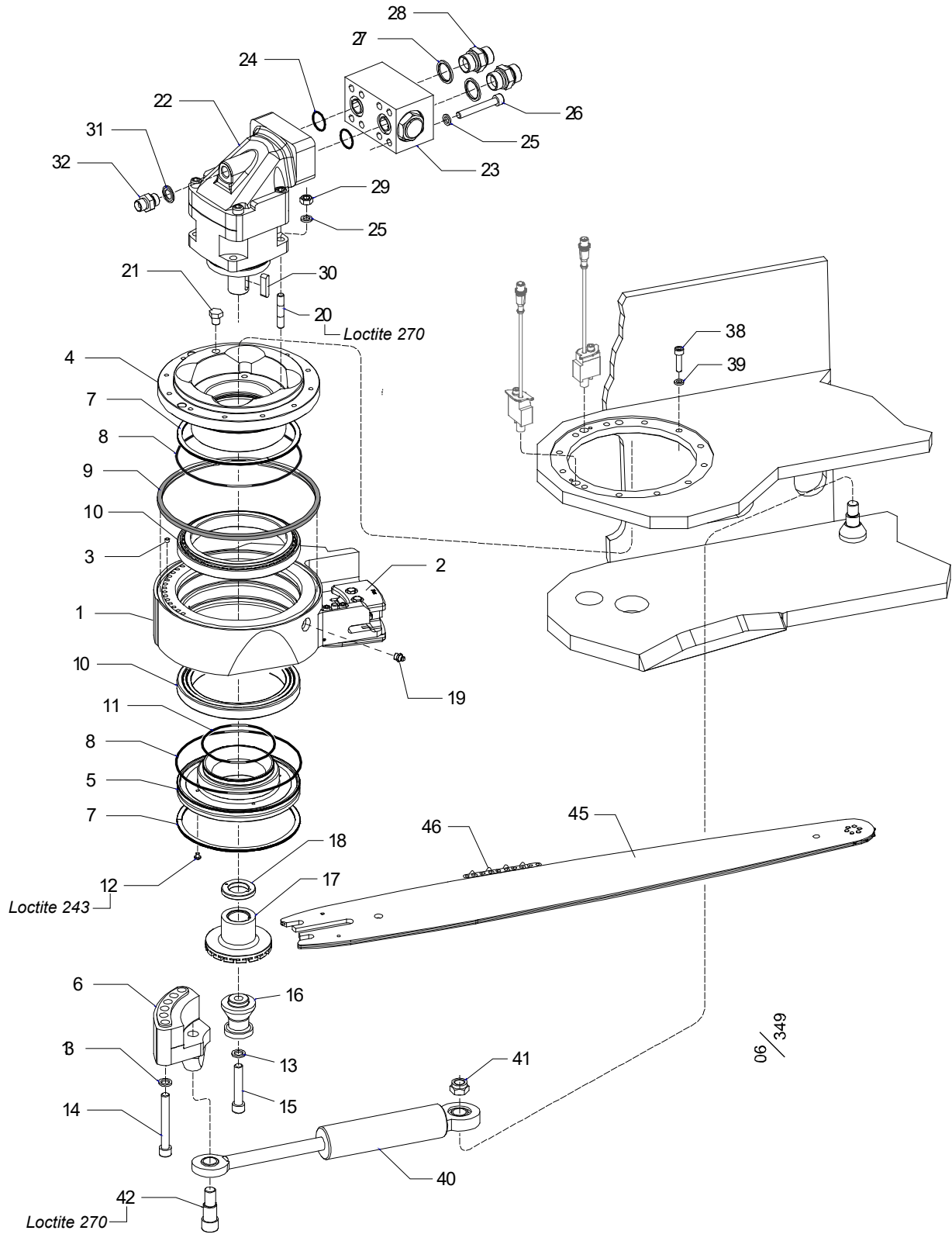


Structure				
Pos.	Part no.	Quantity	Description	Specification
27	505073	4	Screw	PS M10x50 8.8
28	513005	4	Screw	MS6SS M8x12
29	617039	1	Check valve	CVH1G1P
31	501071	12	Socket screw	MC6S M8x30 12.9
32	546041	1	Seal ring	220mm
33	501106	2	Socket screw	MC6S M10x12 12.9
34	501097	8	Socket screw	MC6S M10X70 12.9
35	500098	1	Socket screw	MC6S M12X65 12.9
36	501118	6	Socket screw	MC6S M12X90 12.9
37	617039	1	Check Valve	
38	543064	1	O-ring	104.5x3
39	543032	2	O-ring	182.0x3.0
40	601101	1	Seal ring	G 1/4"
41	601110	1	Seal ring	M18
42	601104	2	Seal ring	G 3/4"
43	601028	1	Coupling	G 1/4"UF-UF
44	608003	1	Coupling	M18x3/8"
45	601040	2	Coupling	G 3/4"UF-UF
46	608022	1	Plug	M 22
47	015669	1	Cylinder	40/25x106
48	609014	1	Saw Motor	F12-30
	554109	1	Seal kit	
49	508020	2	Tapered roller bearing	
51	546006	6	Seal ring	3 pcs/pos
52	549113	1	Sprocket	418/16
53	549318-275	1	Sawbar	75CM 18H XL
	549318-282	(1)	Sawbar	82CM 18H (Option /Tillval)
	549318-290	(1)	Sawbar	90CM 18H XL (Option /Tillval)
54	549018-092	1	Saw chain	18H-92 DL
	549018-099	(1)	Saw chain	18HX-99 DL (Option /Tillval)
	549018-106	(1)	Saw chain	18HX-106 DL (Option /Tillval)
55	522260	1	Tool	



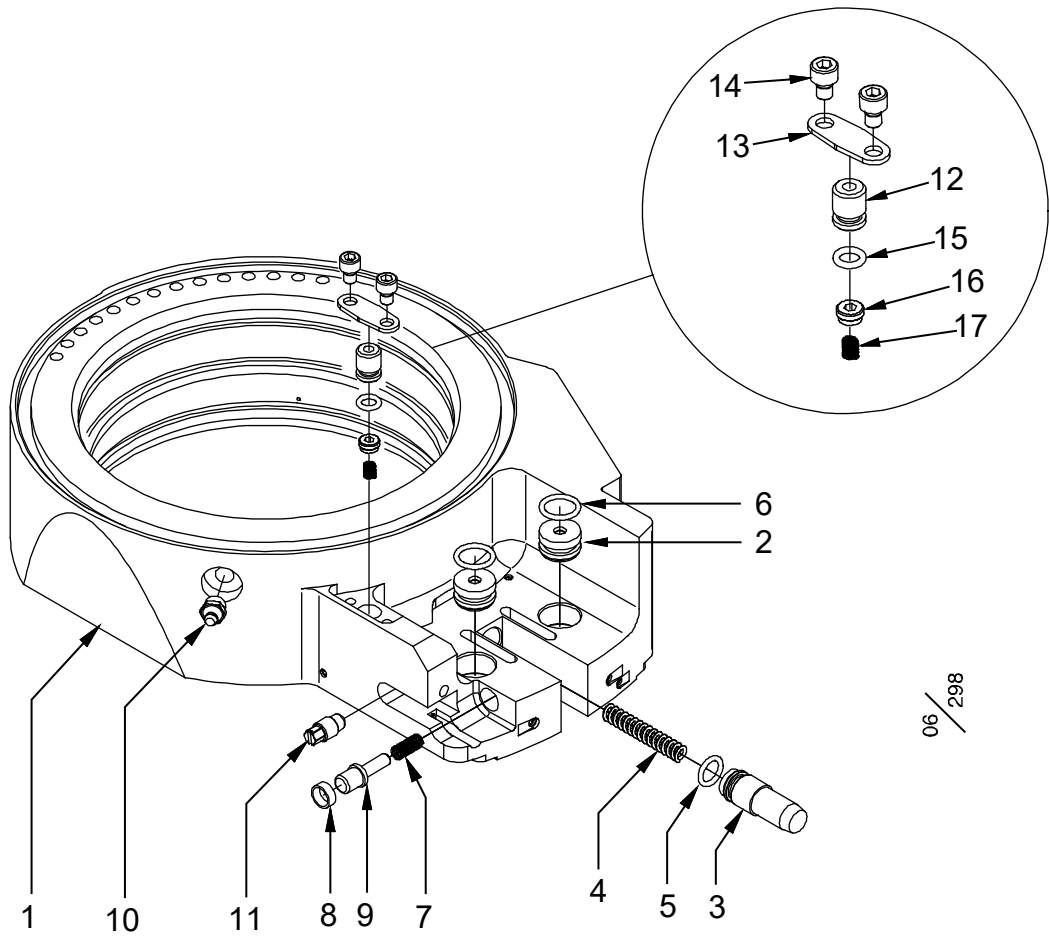
## Saw unit 518

Structure 047068				
Pos.	Part no.	Quantity	Description	Specification
1	609100	1	Saw bracket	518
2	554170	1	Bar holder	
3	514051	14	Magnet	6x5
4	014932	1	Bracket	
5	014933	1	Sleeve	
6	017020	1	Cylinder bracket	411 / 418 / 518
7	546006	6	Seal ring	3 pcs/pos
8	543032	2	O-ring	182.0x3.0
9	546041	1	Seal ring	V-ring 220mm
10	508020	2	Tapered roller bearing	
11	543064	1	O-ring	104.5x3
12	513005	4	Screw	MS6SS M8x12
13	503060	7	Washer	Nordlock M12
14	501118	6	Socket screw	MC6S M12X90 12.9
15	500098	1	Socket screw	MC6S M12X65 12.9
16	015867	1	Chain Catcher	418 / 518
17	549113	1	Sprocket	418/16
18	015043	1	Shims	30x50x7-7.5
	015044	(1)	Shims	30x50x6-6.5
	015045	(1)	Shims	30x50x8-8.5
19	625000	1	Grease nipple	G 1/8"
20	505073	4	Screw	PS M10x50 8.8
21	601001	1	Hex Plug	G 1/4"
22	609014	1	Saw Motor	F12-30
	554109	1	Seal kit	
23	014991	2	Anticavitation Manifold	
24	540154	2	O-ring	24,99x3,53
25	503057	12	Washer	Nordlock M10
26	501097	8	Socket screw	MC6S M10X70 12.9
27	601104	2	Seal ring	G 3/4"
28	601040	2	Coupling	G 3/4"UF-UF
29	502006	4	Nut	M6M M10
30	554077	1	Key	





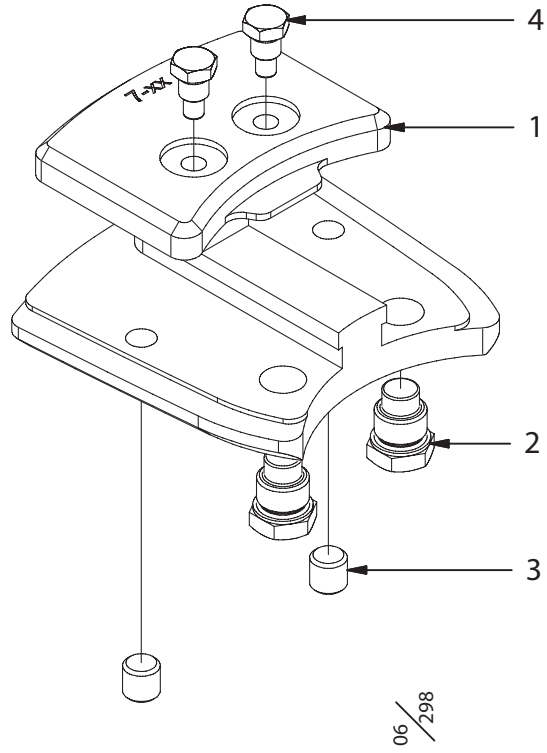
Structure				
Pos.	Part no.	Quantity	Description	Specification
31	601110	1	Seal ring	M18
32	608003	1	Coupling	M18x3/8"
38	501071	12	Socket screw	MC6S M8x30 12.9
39	503055	12	Washer	Nordlock M8
40	015669	1	Cylinder	40/25x106
41	502058	1	Nut	M16 LOW
42	017021	1	Guide screw	411 / 418 / 518
45	549318-275	1	Sawbar	75CM 18H XL
	549318-282	(1)	Sawbar	82CM 18H (Option /Tillval)
	549318-290	(1)	Sawbar	90CM 18H XL (Option /Tillval)
46	549018-094	1	Saw chain	18H-94 DL
	549018-101	(1)	Saw chain	18HX-101 DL (Option /Tillval)
	549018-108	(1)	Saw chain	18HX-108 DL (Option /Tillval)



06 / 298

## Tension device saw unit 518

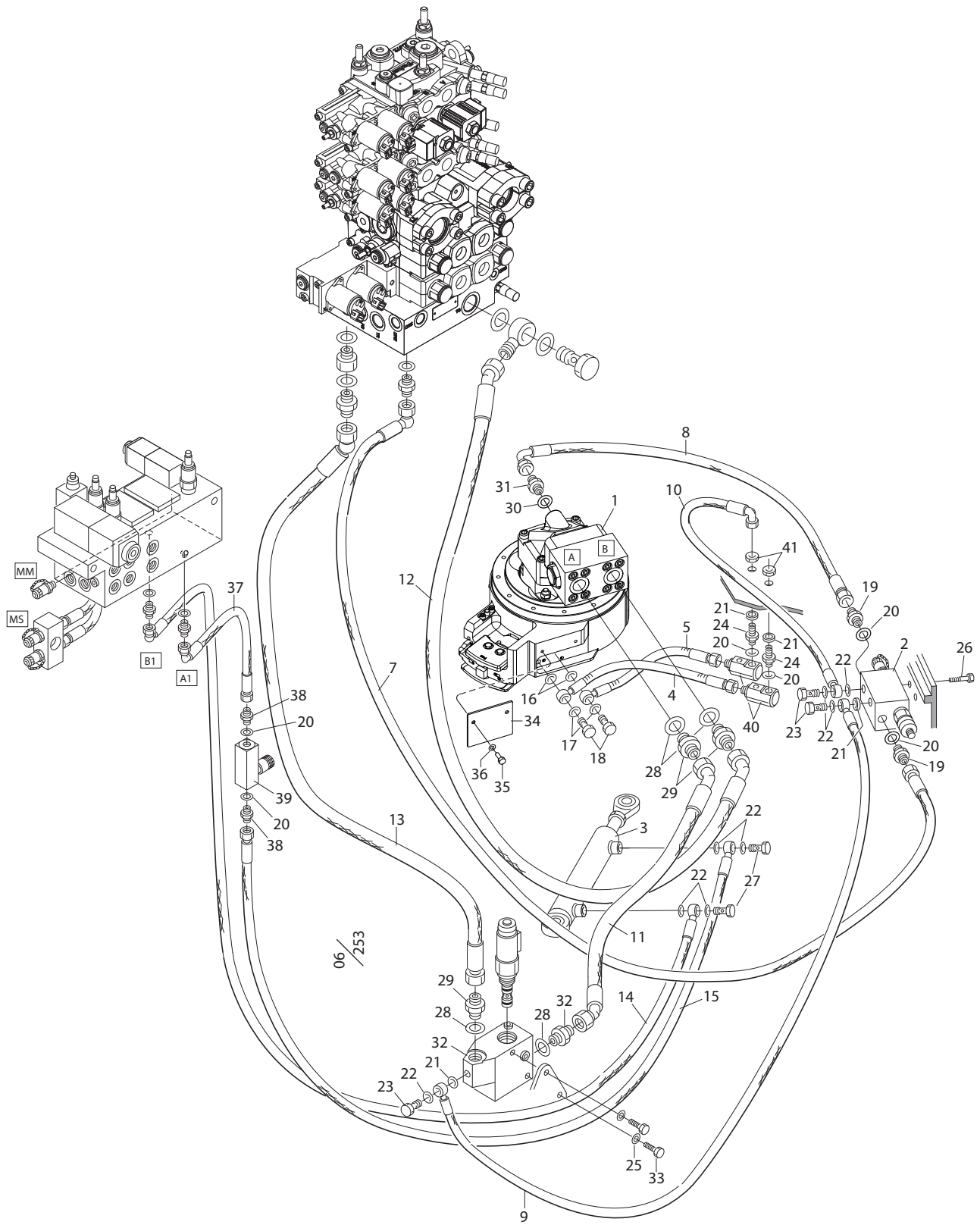
Structure 609100				
Pos.	Part no.	Quantity	Description	Specification
1	609100	1	Tensioner unit	
2	554116	2	Piston	20mm
3	554133	1	Piston	
4	554124	1	Compression spring	
5	554117	1	O-ring	11.3x2.4
6	540072	2	O-ring	15.3x2.4
7	554119	1	Compression spring	
8	554120	1	Sleeve	
9	554121	1	Locking pin	
10	625000	1	Grease nipple	G 1/8"
11	554115	1	Bleeder screw	
	554155	1	Pilot valve compl	
12	554142	1	Piston	
13	554141	1	Washer	
14	501041	2	Socket screw	MC6S M6x8 12.9
15	540064	1	O-ring	7.3x2.4
16	554130	1	Check valve	
17	554129	1	Compression spring	



Log Max 7000XT

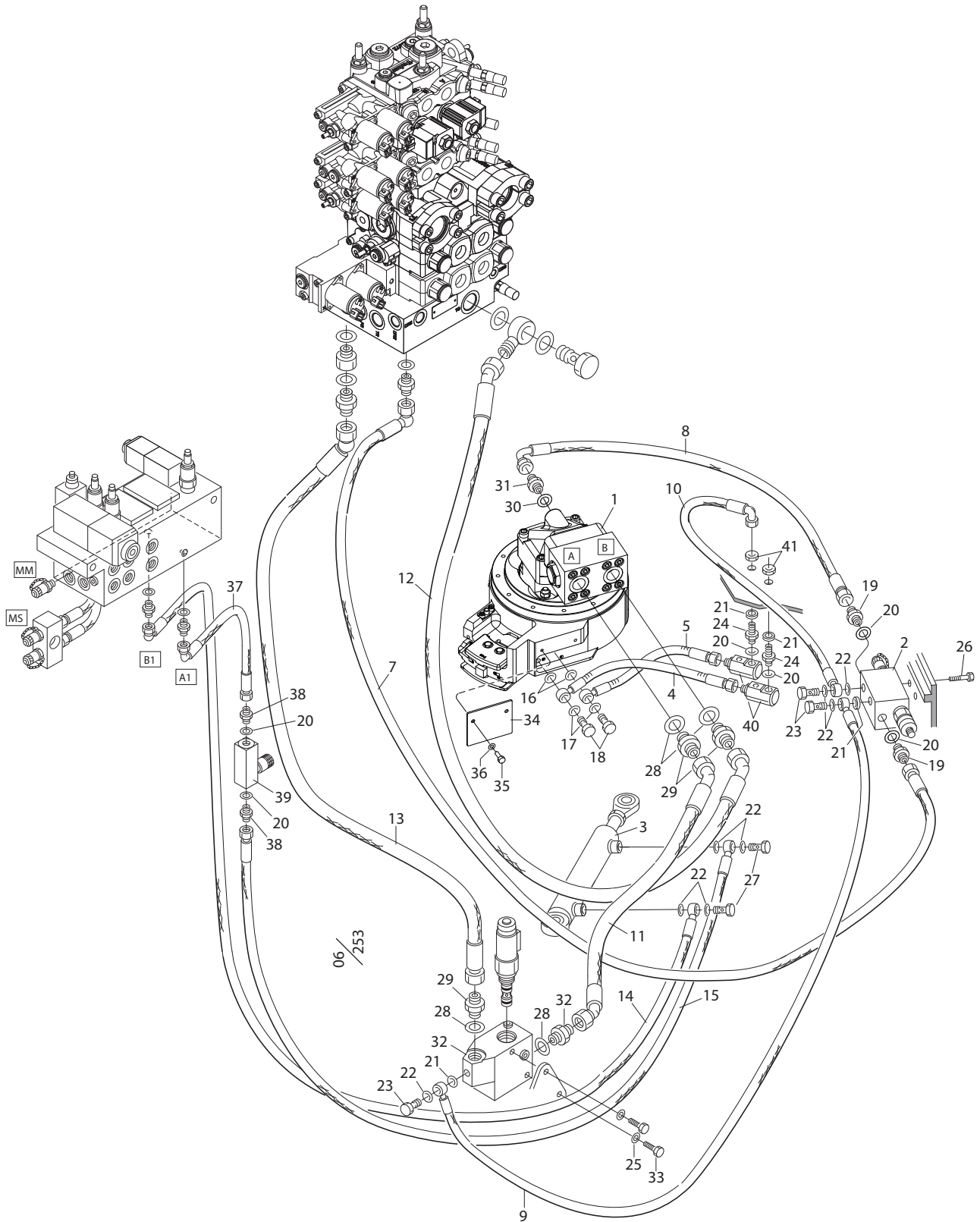
**Bar holder #7 15 mm STD**

Structure 554170				
Pos.	Part no.	Quantity	Description	Specification
	554170	1	Bar holder compl.	Nr./No. 7 15mm STD
1	554145	1	Bar holder	Nr./No. 7
2	554147	2	Guide screw big	M14
3	554148	2	Stop screw	
4	554146	2	Guide screw small	



## Saw 518 hydraulics

Structure				
Pos.	Part no.	Quantity	Description	Specification
1	609014	1	Saw motor	F12-30
2	016228	1	Manifold 518	
3	015669	1	Cylinder	40/25x106
4	645423	1	Hose 5423	
5	645422	1	Hose 5422	
7	645407	1	Hose 5407	
8	645406	1	Hose 5406	
9	645408	1	Hose 5408	
10	645404	1	Hose 5424	
11	645329	1	Hose 5329	
12	645328	1	Hose 5328	
13	645327	1	Hose 5327	
14	645331	1	Hose 5331	
15	645448	1	Hose 5448	
16	601100	2	Seal ring	1/8"
17	601203	2	Cu-washer	10x14x1.0
18	601064	2	Banjo bolt	G 1/8"
19	601029	2	Coupling	G 1/4"-3/8"
20	601101	6	Seal ring	G 1/4"
21	602114	4	Seal ring	G 1/4"
22	601200	8	Cu-washer	13X19X1.5
23	601068	3	Banjo bolt	G 1/4"
24	601210	2	Bulkhead	
25	503057	2	Washer	Nordlock M10
26	501087	2	Screw	MC6S 10X20
27	601060	2	Banjo bolt	G 1/4"
28	601104	4	Seal ring	G 3/4"
29	601040	4	Coupling	G 3/4"
30	601110	1	Seal ring	M18
31	608003	1	Coupling	M18 - G 3/8"
32	005932-MONT	1	Saw manifold	
33	500069	2	Screw	M6S M10x30





Structure				
Pos.	Part no.	Quantity	Description	Specification
34	016429	1	Cover	
35	501045	2	Socket screw	MC6S M6X16
36	503065	2	Washer	
37	645348	1	Hose 5348	
38	601028	2	Coupling	
39	617045	1	Check valve	
40	016727	2	Svivel	¼" for saw 518
41	601253	2	Nut	¼"

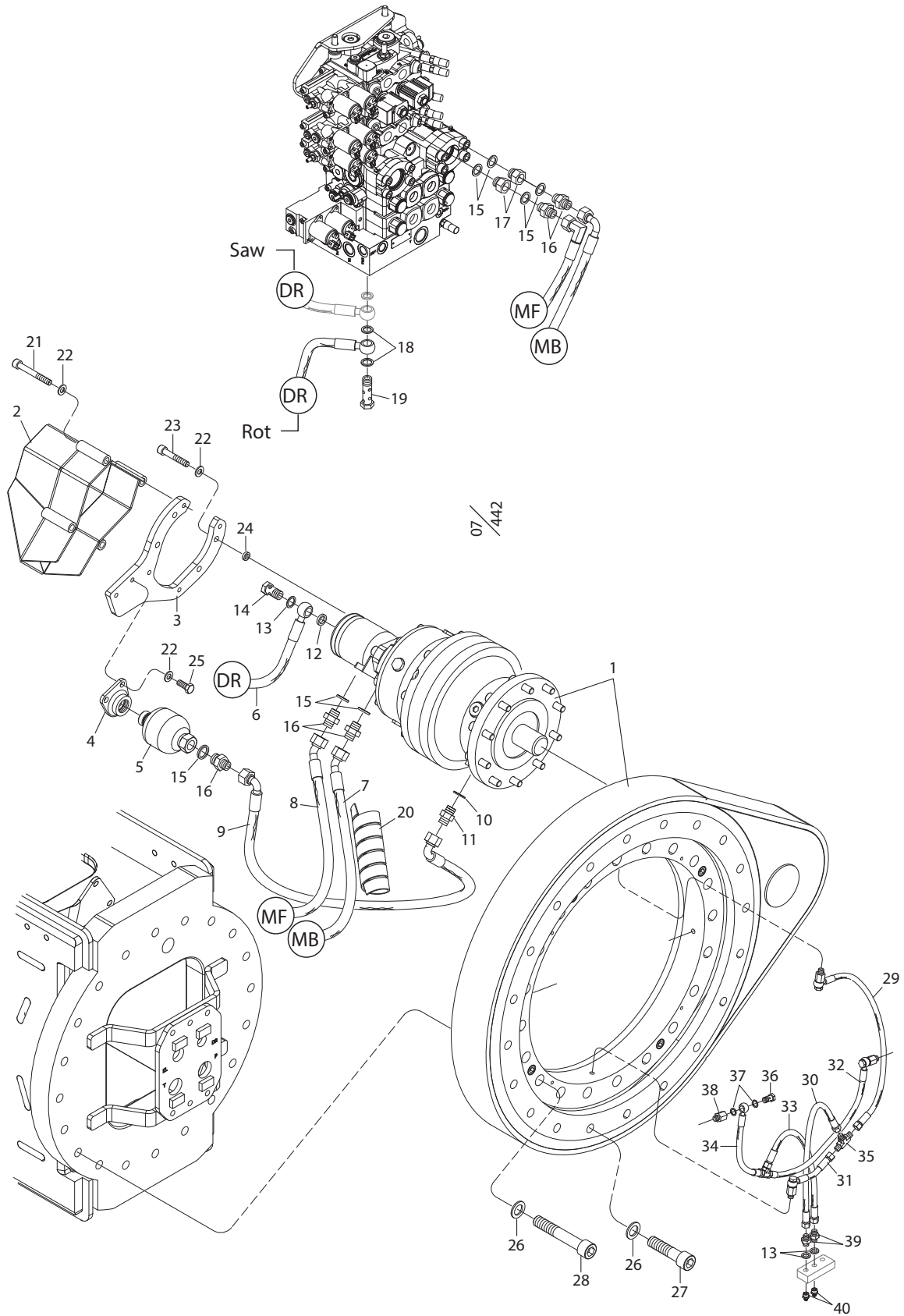


## 6. Rotation unit



## Rotation unit

Structure 047025				
Pos.	Part no.	Quantity	Description	Specification
1	609105	1	Slewdrive	
2	022370	1	Protec. Cover	
3	022369	1	Bracket	
4	014309	1	Bracket	
5	610120	1	Accumulator	0,16 L - 0 Bar EMPTY/OLADDAD
6	645476	1	Hose 5476	
7	645474	1	Hose 5474	
8	645475	1	Hose 5475	
9	645483	1	Hose 5483	
10	601110	1	Seal ring	M18
11	608003	1	Coupling	M18X3/8"
12	602114	1	Seal ring	1/4"
13	601101	3	Seal ring	1/4"
14	601068	1	Banjo bolt	R1/4"
15	601103	7	Seal ring	1/2"
16	601033	5	Coupling	R3/8"UF-R1/2"UF
17	013805	2	Coupling	1/2"IF-1/2" UF
18	601208	2	Seal ring	17X23X1.5
19	601066	1	Banjo bolt	R3/8"
20	615050	1	Hose cover	1" - 330mm
21	501098	4	Socket screw	MC6S M10X80 12.9
22	503057	10	Washer	M10 Nordlock
23	501101	4	Socket screw	MC6S M10X110 12.9
24	017736	4	Washer	10,5X16X4
25	500068	2	Screw	M6S M10X25 8.8 FZB
26	503070	40	Washer	M20 Nordlock
27	501174	20	Socket screw	MC6S M20X70 12.9
28	501176	20	Socket screw	MC6S M20X110 12.9
29	645488	1	Hose 5488	
30	645477	1	Hose 5477	
31	645489	1	Hose 5489	
32	645481	1	Hose 5481	
33	645478	1	Hose 5478	

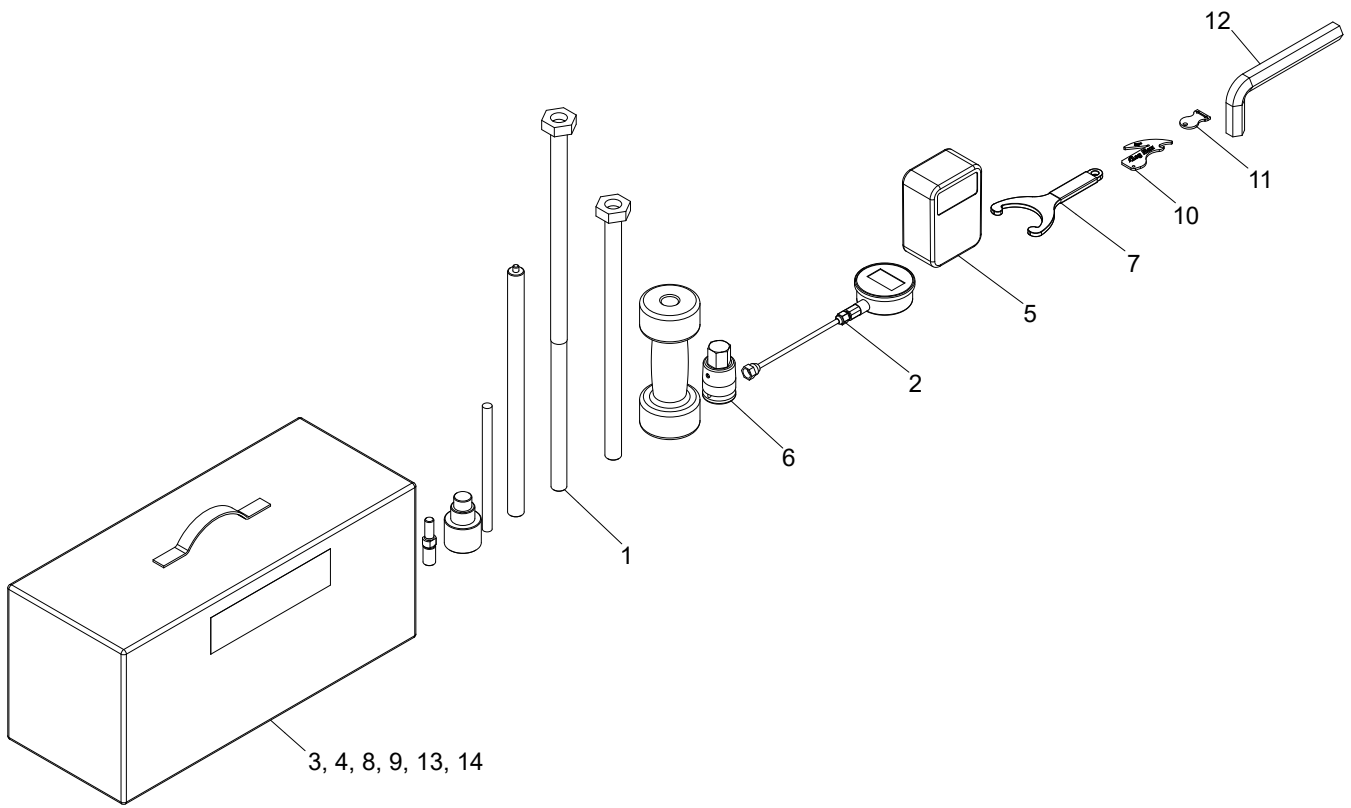


Structure				
Pos.	Part no.	Quantity	Description	Specification
34	645482	1	Hose 5482	
35	601021	2	T-coupling	R1/8" UF
36	601064	4	Banjo bolt	R1/8"
37	601203	8	Seal ring	10X14X1.0
38	625012	4	Extension nipple	25MM
39	601025	2	Adaptor	R1/8"UF-R1/8"UF
40	625000	2	Grease nipple	KR 1/8"R



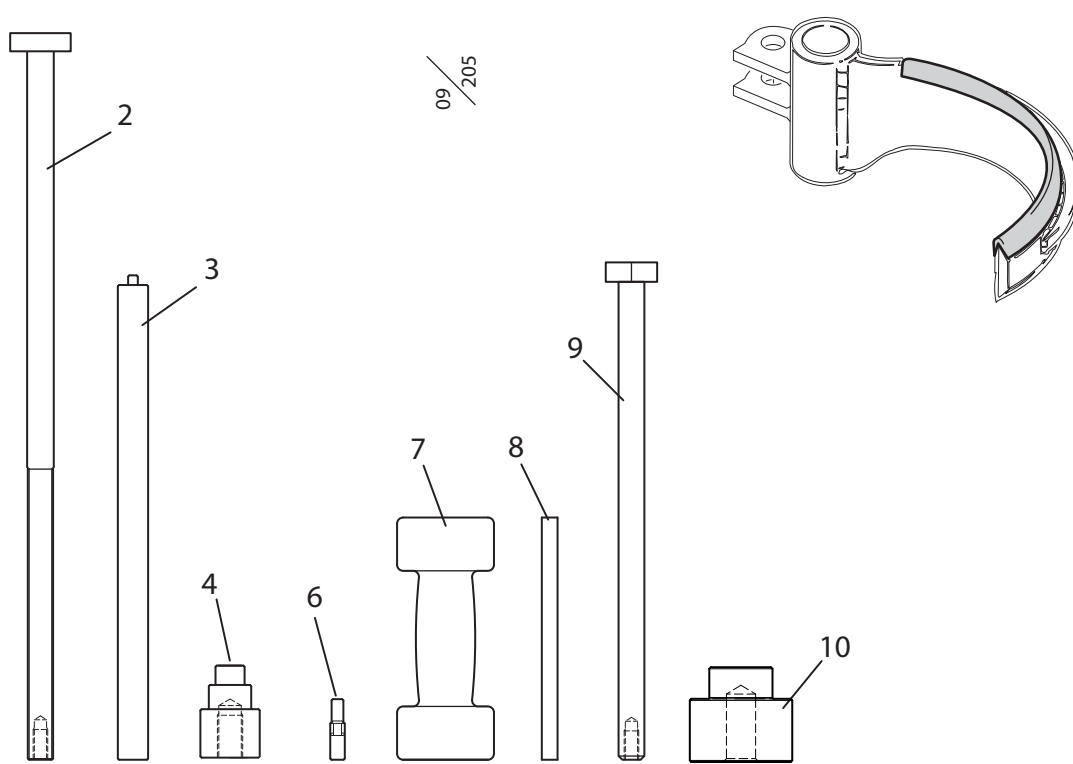
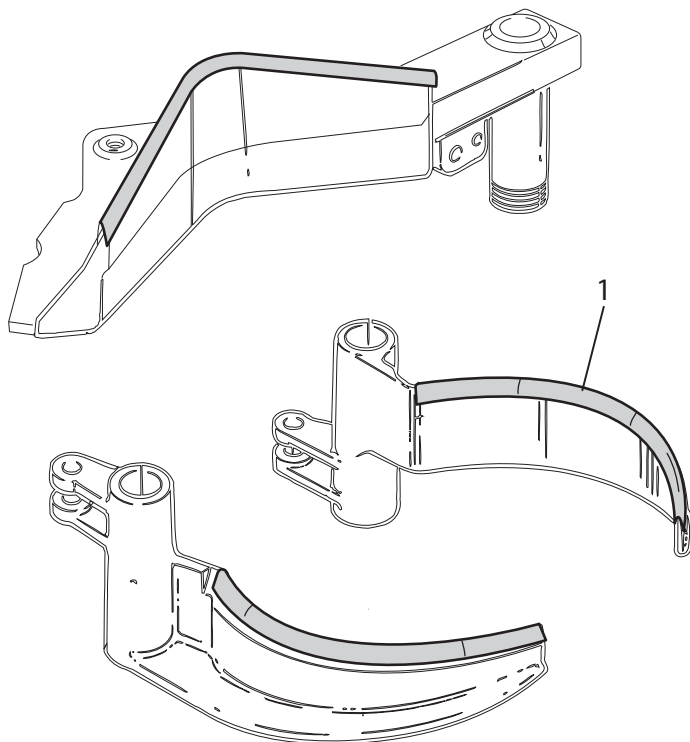


## 7. Accessories



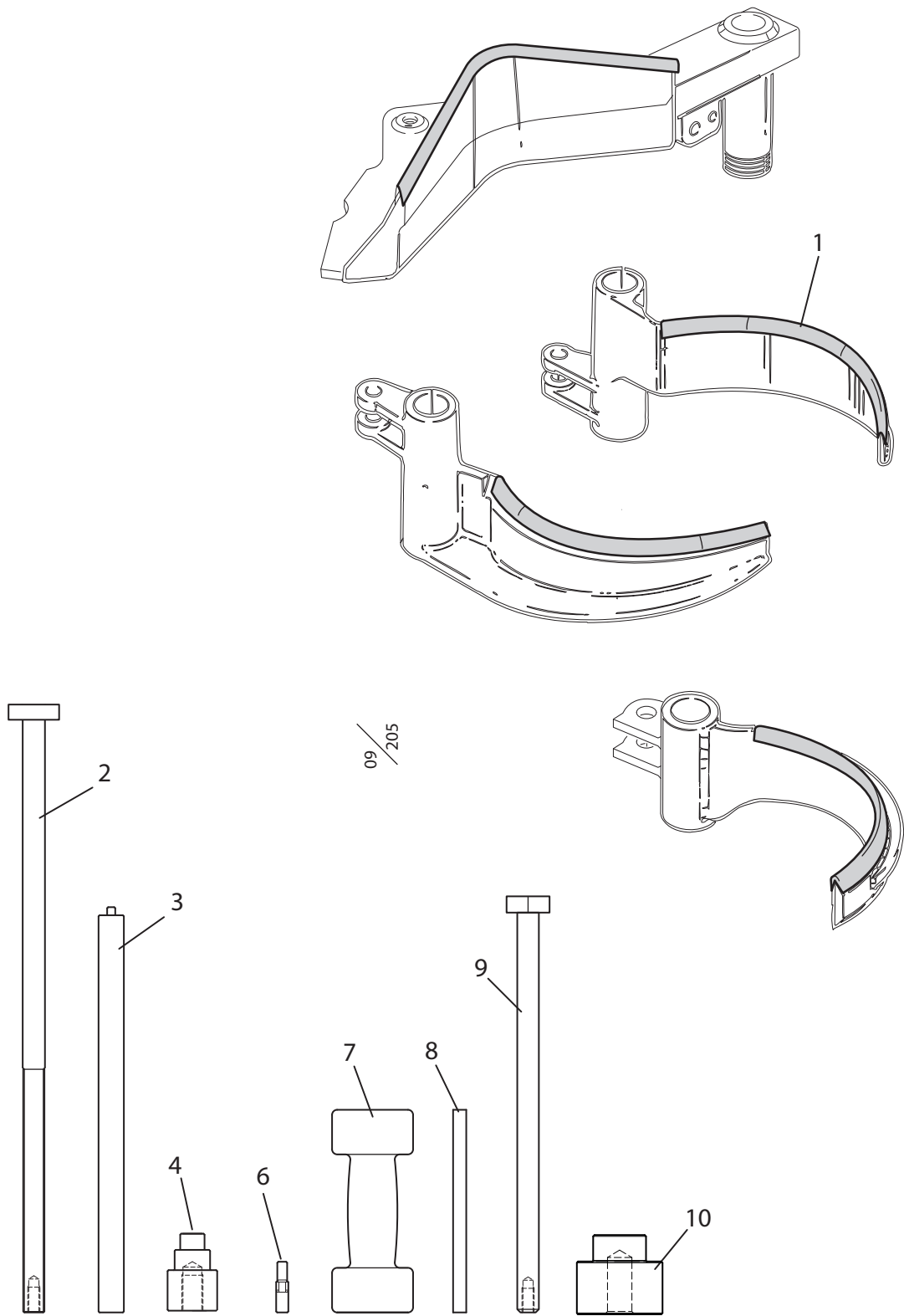
## Tool kit

Structure 032304				
Pos.	Part no.	Quantity	Description	Specification
1	039098	1	Tool	
2	623053	1	Manometer	
3	522718	1	Tool	
4	519190	2	Decal	
5	402804	1	Multimeter	
6	011513	1	Tool	
7	016537	1	Tool	
8	522227	1	Allen key	
9	522505	1	First aid kit	
10	015662	1	Edge template	
11	10000394	1	Tool	
12	538002	1	Allen key	
13	033801	1	User manual	
14	522506-LXL	1	Safety vest	



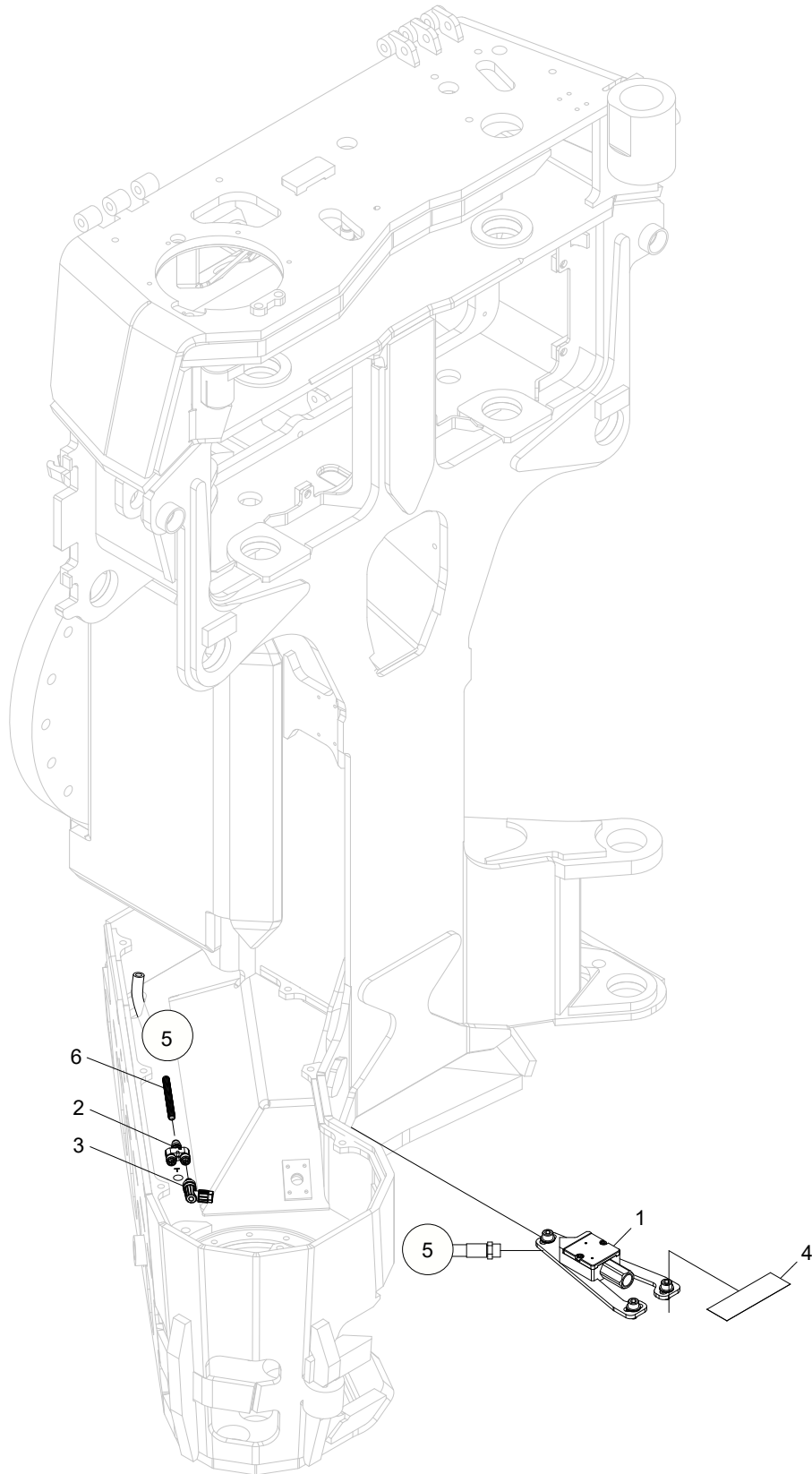
## Edge cover

Structure				
Pos.	Part no.	Quantity	Description	Specification
1	519010	1	Edge Cover	



## Slide hammer kit

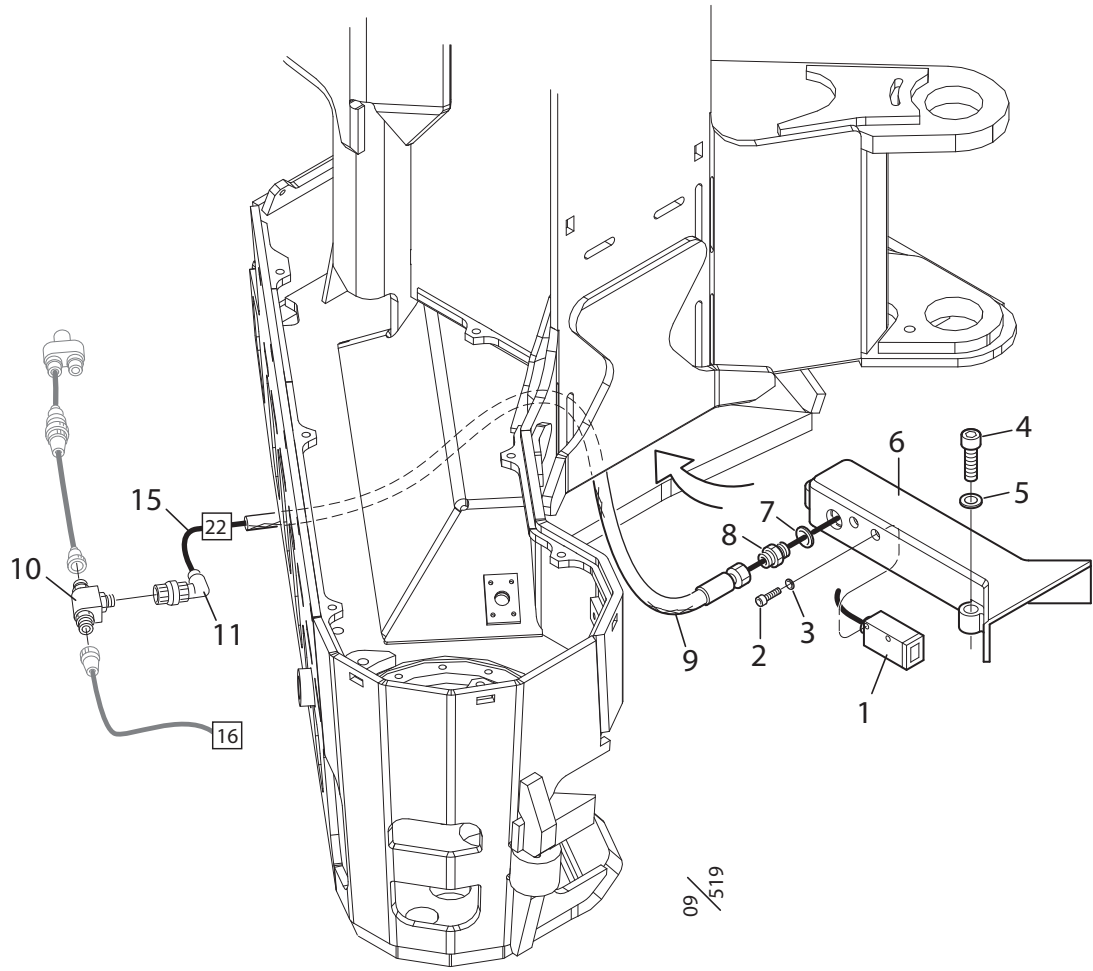
Structure 039098				
Pos.	Part no.	Quantity	Description	Specification
2	014246	1	Rod cmpl.	
3	014247	1	Assembly tool	L=400
4	014495	1	Assembly tool	
6	011069	2	Bolt	G 3/8"
7	010489	1	Slide Hammer	
8	014499	1	Punch	L=200
10	016202	1	Assembly Tool	





## Find End

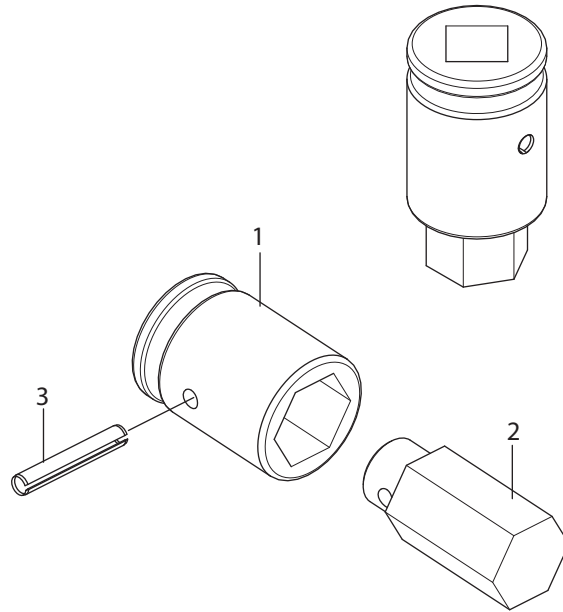
Structure 047094				
Pos.	Part no.	Quantity	Description	Specification
1	018678	1	Find End	
2	402314	1	Y-connector	
3	402315	1	Cable housing	
4	519192	1	Decal	
5	647745	1	Protective hose	
6	615026	1	Protective hose	Ø10x6,2



LogMax 7000XT Fixed Head - Find End

## Find End photocell

Structure				
Pos.	Part no.	Quantity	Description	Specification
1	401865	1	Photo cell	"Find end"
2	501015	2	Socket screw	MC6S M4X16 12.9
3	503067	2	Washer	Nordlock M4
4	501091	3	Socket screw	MC6S M10X35 12.9
5	503057	3	Washer	Nordlock M10
6	016521	1	Encoder bracket	
7	601102	1	Seal ring	3/8"
8	601032	1	Coupling	R3/8"UF-R3/8"UF
9	645449	1	Hose 5449	
10	402313	1	T-distr.	5-polig M12 / 5-pole M12
11	401358	1	Cable housing	5-pol / 5-pin
15	615021	Erf.	Prot. hose	130cm

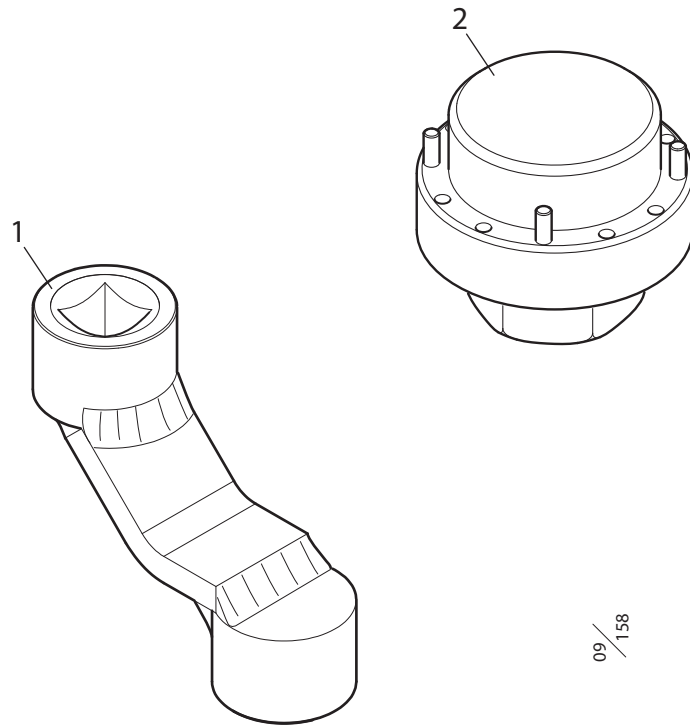


09 / 149

Log Max 12000

## Allen key

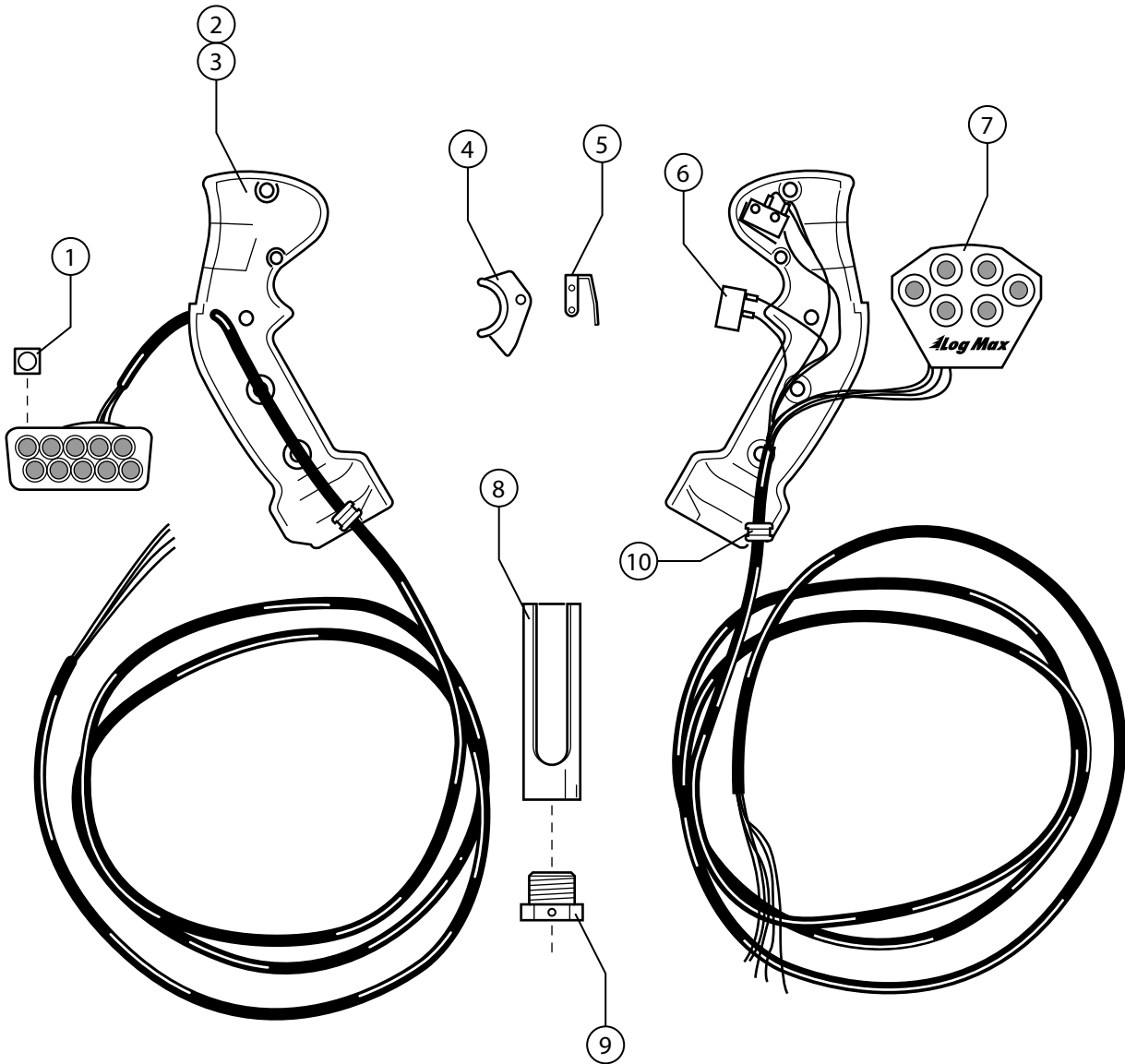
Structure 011513				
Pos.	Part no.	Quantity	Description	Specification
	011513	1	Tool for pins	
1	015247	1	Hex key	27 mm
2	015246	1	Hex key	27 mm
3	515015	1	Tension pin	FRP 6X40 DIN 1481



09 / 158

## Tools, Saw 411H, 418H

Structure				
Pos.	Part no.	Quantity	Description	Specification
1	LR1-92932	1	Wrench	
2	LR1-92930	1	Bearing Tool	

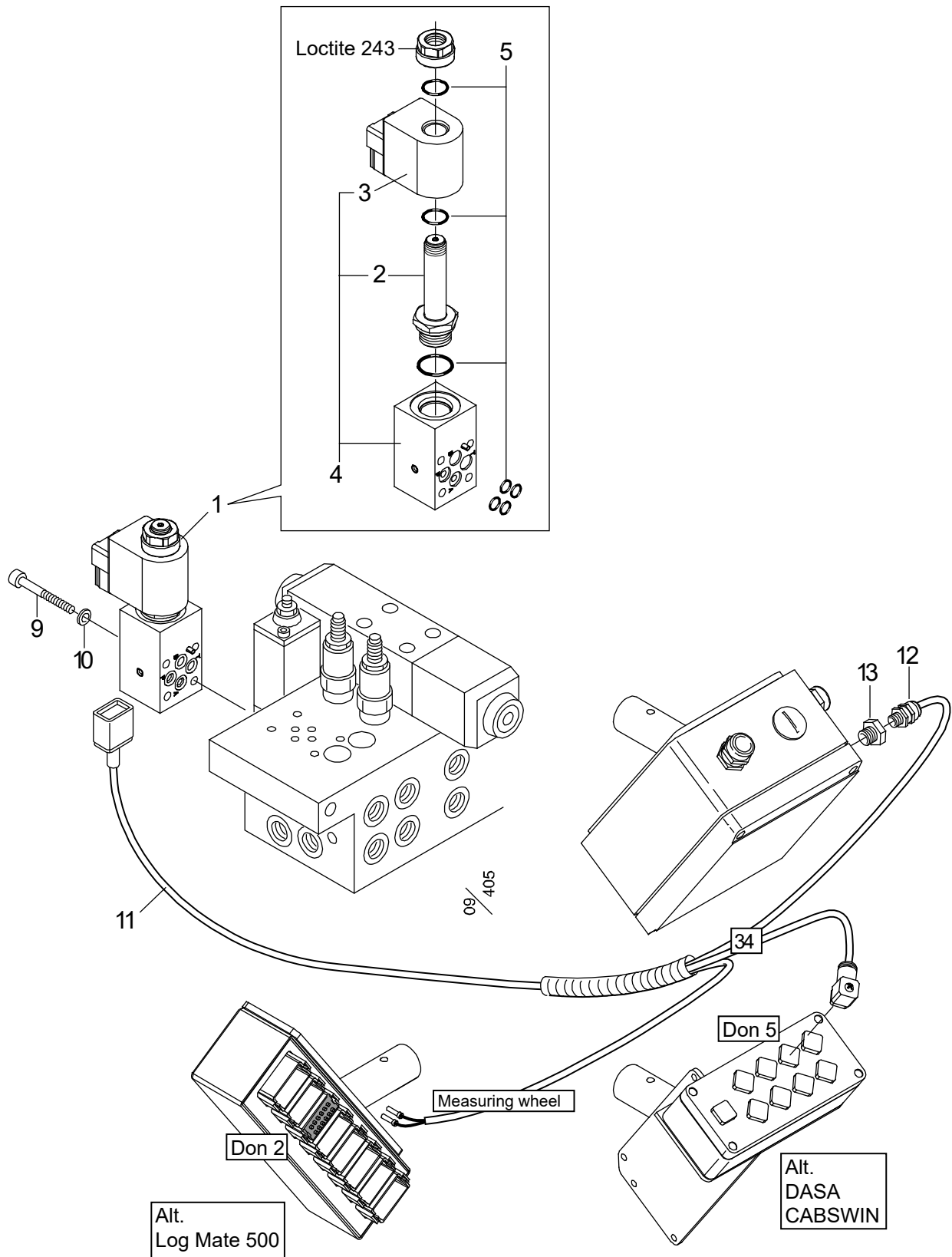


09/150



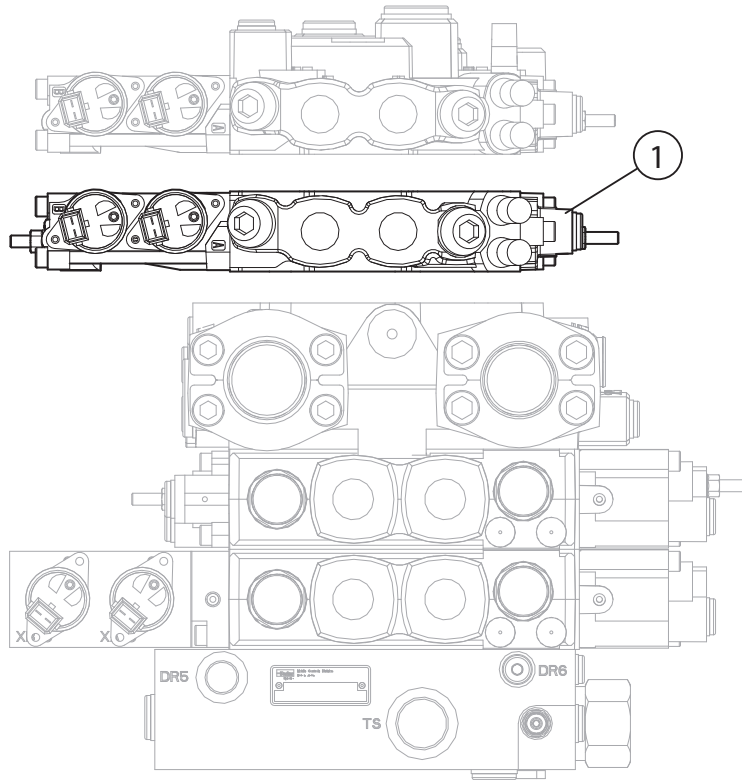
## SureGrip

Structure 015285				
Pos.	Part no.	Quantity	Description	Specification
1	402018	10	Key pad switch	
2	402020	1	Side key pad, right	
3	402021	1	Side key pad, left	
4	402027		Double trigger	
5	402025	2	Leaf spring kit	
6	402028	8	Switch face plate	
7	402024	1	Button, overlay	
8	402036	1	Mounting tube	
9	010103	1	Universal adapter	
10	402035	2	Wire grommet	



## Electrical controlled measuring wheel

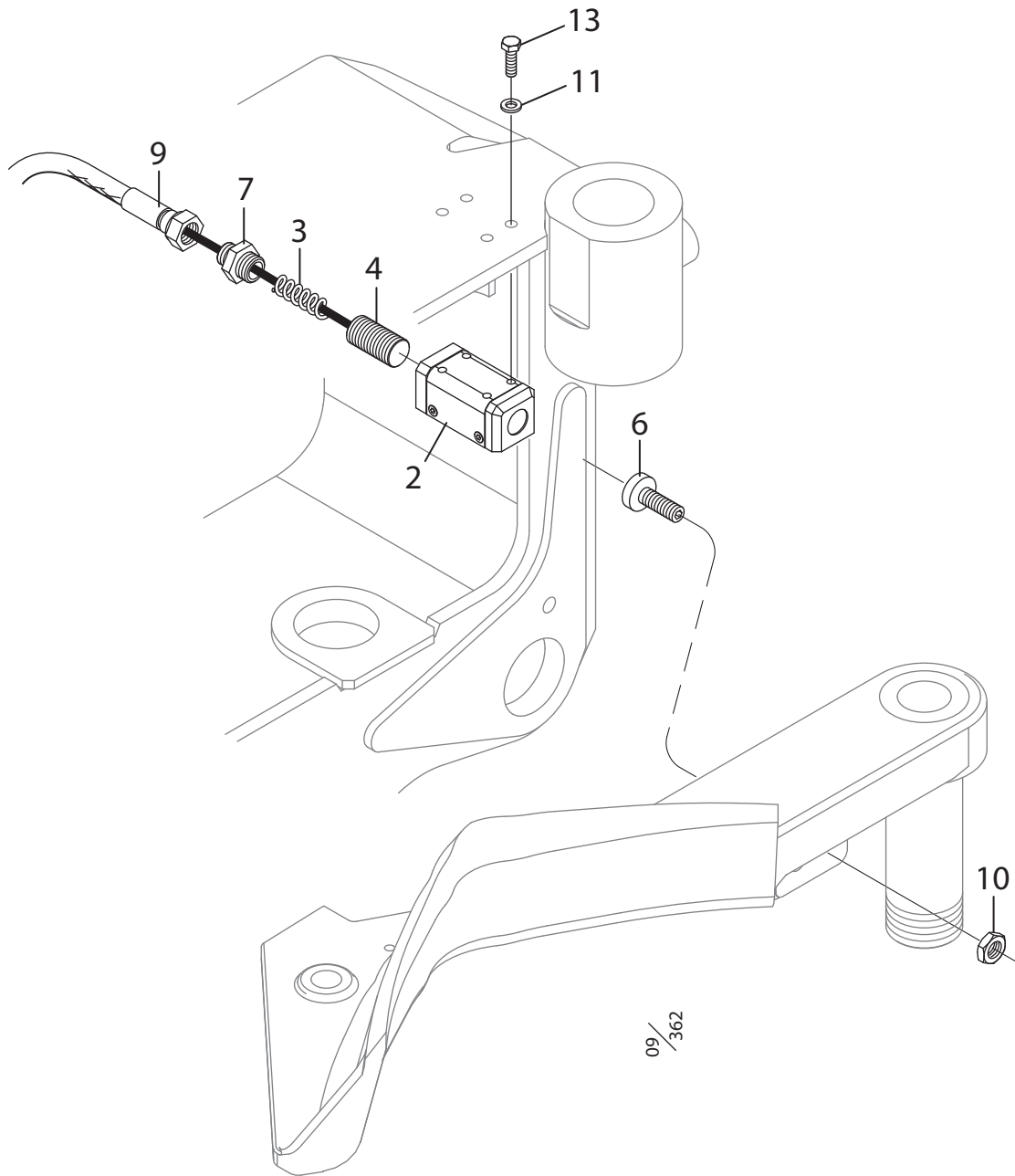
Structure				
Pos.	Part no.	Quantity	Description	Specification
1	612090	1	E.Measuring. Wheel cpl.	
2	612091	1	Directional Valve	
3	612092	1	Solenoid	24V
4	612090	1	E.Measuring. Wheel cpl.	
5	612095	1	Seal kit	
9	501038	4	Socket screw	MC6S M5X65 12.9
10	503066	4	Washer	Nordlock M5
11	671307	1	Cable	Other control systems
	671306	1	Cable	ONLY FOR DASA/CABSWIN
	671311	1	Cable	ONLY FOR Log Mate 500
12	401770	1	Cable sleeve	PG 9 Other control systems
13	401769		Reductor	Pg16 – Pg9 Other control systems



09 / 276

## Low pressure control

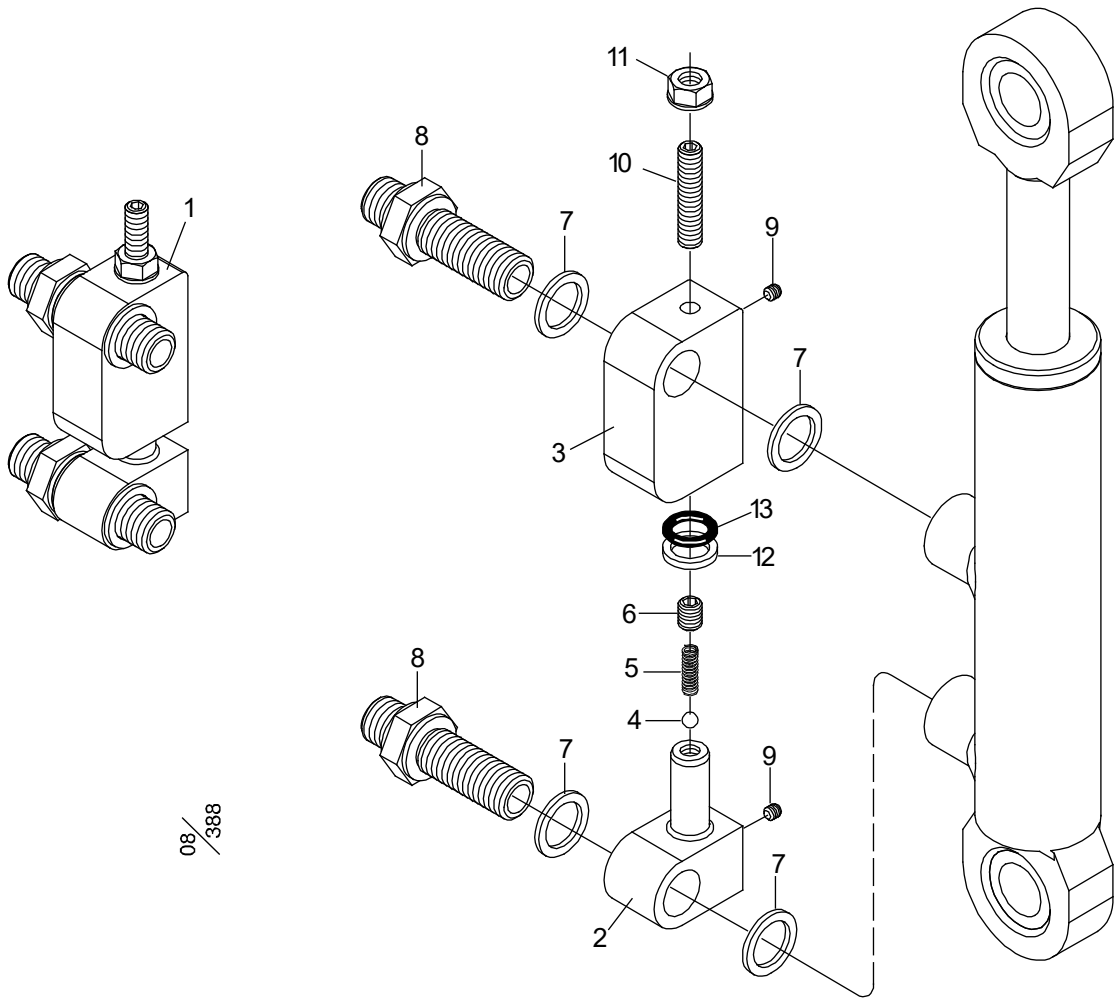
Structure 620564				
Pos.	Part no.	Quantity	Description	Specification
1	620564	1	Bottom knife section L-90	Ec low pressure / Lågtrycksstyrning



Note! Only compatible with Log Mate 500 or CabsWin.

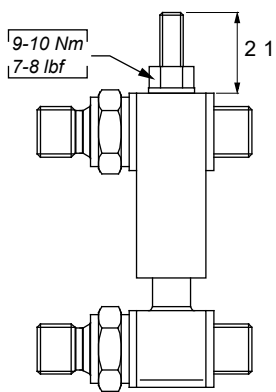
## Active friction control

Structure 047088				
Pos.	Part no.	Quantity	Description	Specification
1	047088	1	Sensor holder compl.	
2	016930	1	Sensor holder	Ø16,5
3	526015	1	Spring	
4	401150	1	Sensor	
6	016932	1	Sensor screw	M12x45
7	016931	1	Coupling	G3/8" UF - M20x1,5 UF
9	645339	1	Hose 5339	
10	502701	1	Nut	M12x1.25
11	503065	4	Washer	Nordlock M6
13	500025	4	Screw	M6S M6X25

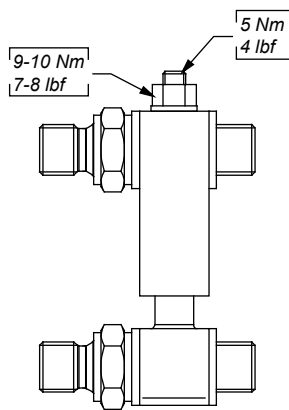


08/388

Vinter / Winter



Sommar / Summer





## Bypass valve

Structure 039119				
Pos.	Part no.	Quantity	Description	Specification
1	031070	1	Bypass valve cmpl.	
2	017342	1	Nipple	
3	017343	1	Seal retainer	
4	511003	1	Steel ball	RB-4
5	526014	1	Spring	SF-TF 0,2x2,5x25
6	013734	1	Orifice	Ø0,7
7	601101	4	Seal ring	G1/4"
8	013691	2	Bulkhead	G1/4"
9	519059	2	Expander plug	Ø0,3
10	513046	1	Socketset scr.	M6x30
11	519062	1	Seallock nut	M6
12	546005	1	Support ring	SR 10-14
13	540066	1	O-ring	9.3x2.4
	645585	1	Hose	1/4"
	645586	1	Hose	1/4"



## 8. Hydraulic system

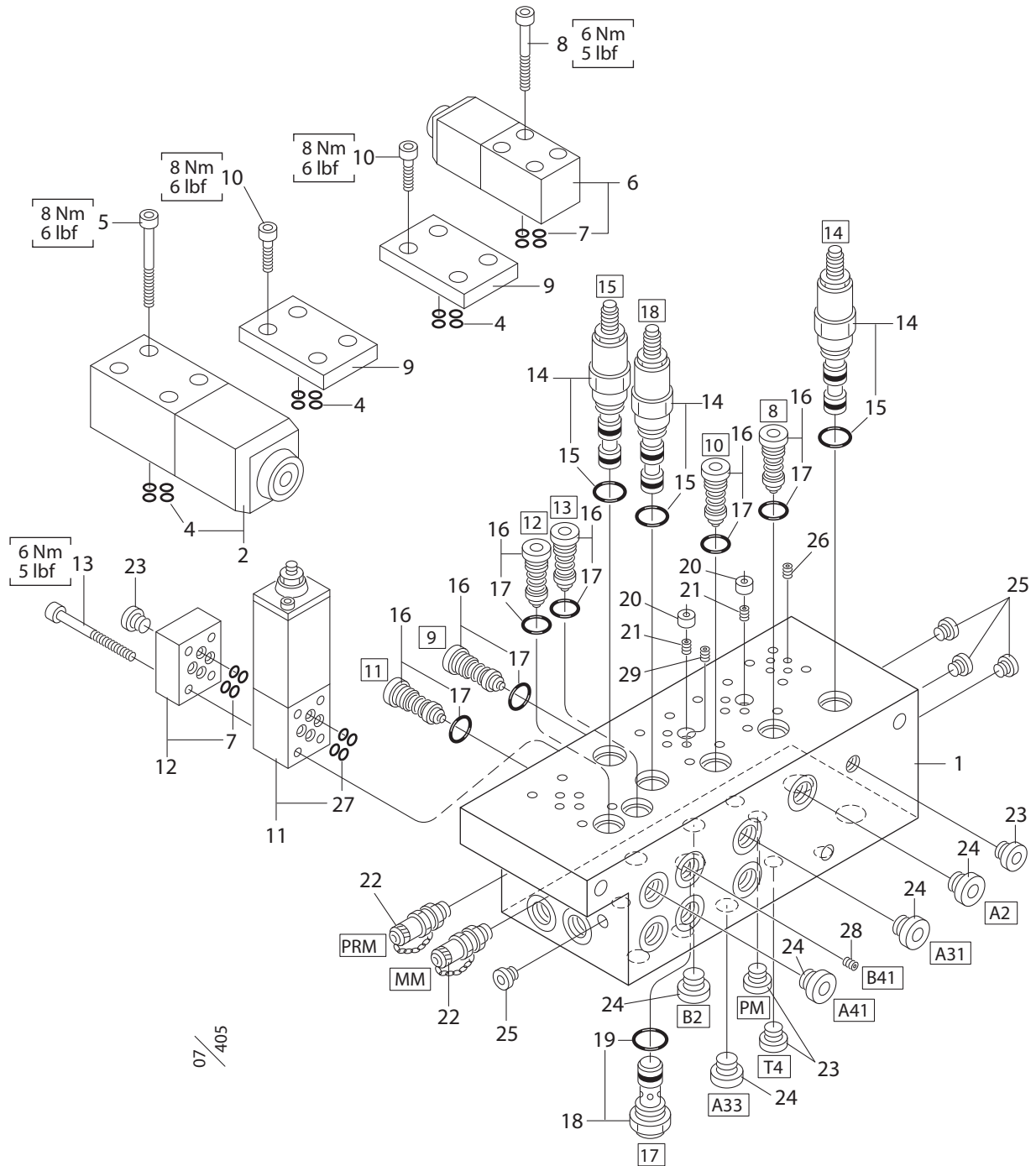


## Hydraulic system

Structure 006130FH-2				
Pos.	Part no.	Quantity	Description	Specification
1	611085-X	1	Right Main Manifold	
2	016841	1	Valvet Bracket	
3	502056	1	Nut	M12 Loc
4	501109	2	Socket screw	MC6S M12x30 12.9
5	601106	2	Seal ring	1 1/4"
6	016504	2	Bulkhead union	G 1 1/4" – UNF 1 5/8"-12, G 1"- 11
	015955	(2)	Bulkhead union	G 1 1/4" JIC -UNF 1 5/8"-12 1 5/16"-12 JIC
7	014741	4	Nut	JIC 1 5/8"
8	601036	1	Coupling	G 1/2"-1/2"
	608005	(1)	Coupling	Jic 7/8"- G 1/2"
9	601103	6	Seal ring	G 1/2"
10	601036	2	Coupling	G 1/2"- G 1/2"
11	645323	1	Hose 5323	T3
12	645322	1	Hose 5322	P3
13	608052	2	Bulk head	JIC 1 5/16" UF
14	601261	5	Test point	G 1/4"
15	047180	1	Manifold L.H	
16	013805	1	Coupling	G 1/2" UF – IF
17	503057	8	Washer	M10 Nordlock
18	501104	3	Socket screw	MC6S M10x140 12.9
19	502055	2	Nut	M10 Loc
20	503076	2	Washer	M12 Nordlock
21	601101	10	Seal ring	G 1/4"
22	601028	7	Coupling	G 1/4"
23	649210	1	Hose 9210	
24	649211	1	Hose 9211	
25	601062	2	Banjo bolt	G 1/2"
26	602113	2	Seal ring	G 1/2"
27	617008	1	Check valve	G 1/4"
28	608051	1	Bulk head	JIC 1 1/16" UF
29	645326	1	Hose 5326	
30	645306	1	Hose 5306	MS



Structure				
Pos.	Part no.	Quantity	Description	Specification
31	645307	1	Hose 5307	P2
32	013835	1	Manifold Test point	
33	501071	2	Socket screw	MC6S M8x30 12.9
34	503055	3	Washer	M8 Nordlock
35	602060	1	Coupling	G 1/4"-6L
36	602061	1	Coupling	G 1/8"-6L-R
37	601100	1	Seal ring	G 1/8"
38	601029	2	Coupling	G 1/4" – G 3/8"
39	601102	2	Seal ring	G 3/8"
40	601068	3	Banjo bolt	G 1/4" Long
41	601200	5	Cu-washer	13x19x1.5
42	602114	1	Seal ring	G 1/4"
43	501072	1	Socket screw	MC6S M8x35 12.9
44	015953	1	Manifold Test Point	
45	608050	1	Bulk head	JIC 7/8" UF
46	608049	2	Nut	
47	012991	1	Bracket	
48	608048	1	Nut	
49	608047	1	Nut	
50	626001	1	Strap	
51	645446	1	Hose 5446	
52	645447	1	Hose 5447	
53	507059	Erf	Shim	1/2mm
	507058	Erf	Shim	1mm
54	617008	1	Check valve	R1/4"
55	017658	1	Adapter plate	
56	645467	1	Hose 5467	
57	645468	1	Hose 5468	
58	645469	1	Hose 5469	
59	500068	6	Screw	M6S M10X25 8.8 FZB

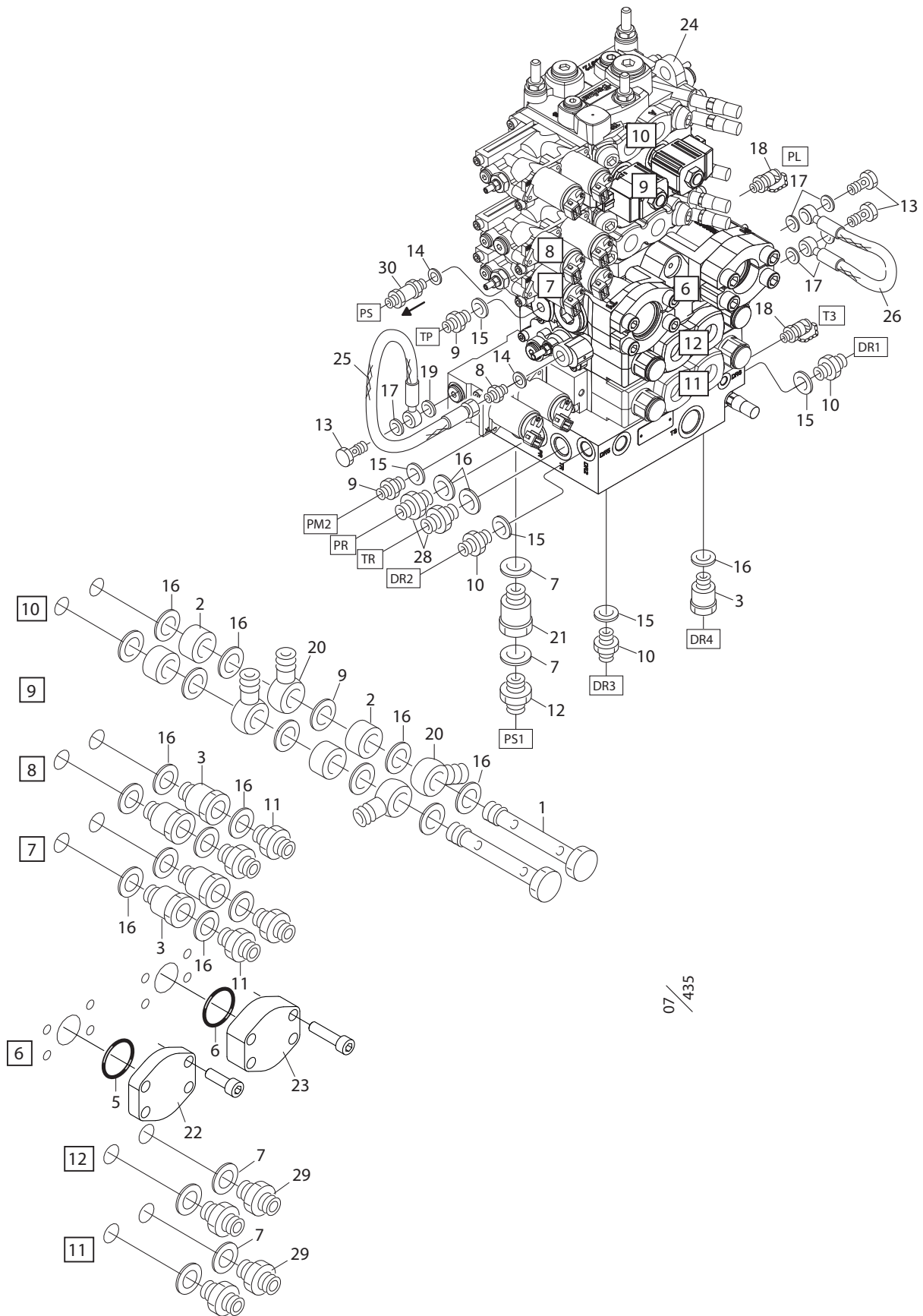


**XX** = Märkning på blocket som visar komponentens plats.  
Markings stamped on the manifold showing the component location.



## Hydraulic system, left manifold

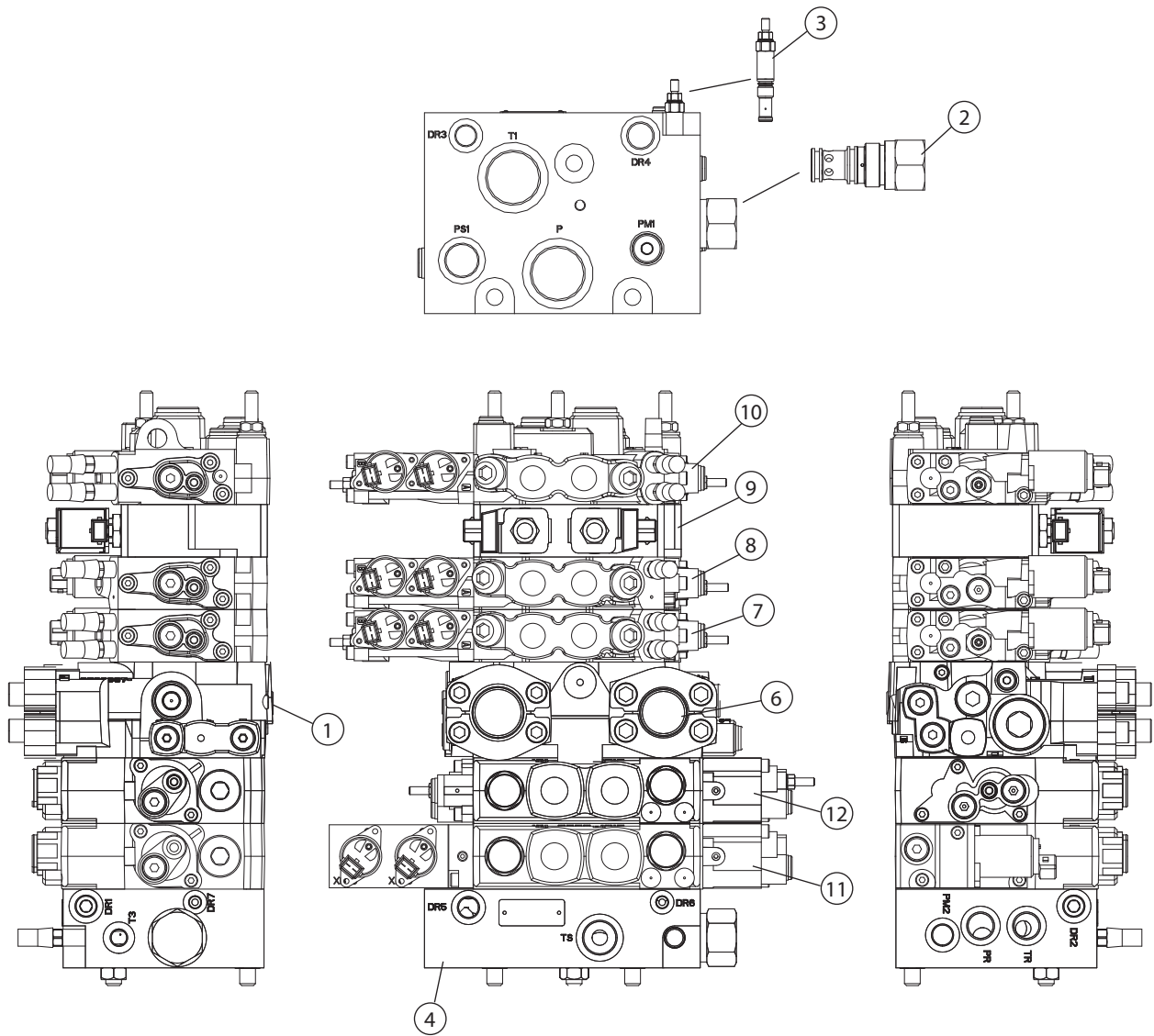
Structure 006123-2				
Pos.	Part no.	Quantity	Description	Specification
	047180	1	Manifold L.H.	Cmpl /Kmpl.
1	612033	1	Left Manifold	
2	011626	1	Riktningsventil 24 V	Roller arms /Hjularmar
4	540006	12	O-ring	Ø 9,25x1,78
5	501031	4	Socket screw	MC6S M5X30 12.9
6	612049	1	Valve	Saw feeding /Matning såg
	613081	1	Magnetspole	24V NG4
7	540036	12	O-ring	Ø 7,66x1,78
8	501033	4	Socket screw	MC6S M5x40 12.9
9	613045	2	Blind plate	NG 6
10	501029	8	Socket screw	MC6S M5x20 12.9
11	619022	1	Blocking valve	
12	613021	1	Cover	
13	501035	4	Socket screw	MC6S M5X50
14	619016	3	Reducer valve	
15	620352	1	Seal kit	
16	617032	6	Pressure reducer	210 bar
17	540043	6	O-ring	Ø 15.6x1.78
18	617029	1	Check valve	
19	620351	1	Seal kit	CV1
20	617013	2	Check valve	
20	620356	1	Seal kit	
21	613017	2	Orifice	M6-Ø 2,5 mm
22	601261	2	Test point	G ¼"
23	601001	4	Hex plug	G ¼"
24	601002	5	Hex plug	G 3/8"
25	601000	4	Hex plug	G 1/8"
26	613033	1	Orifice	Ø 2,0 mm
27	540034	4	O-ring	Ø 6,07x1,78
28	613015	1	Orifice	M6-Ø 1,2 mm
29	613100	1	Orifice	M6-Ø 3 mm



07/435

## Right main manifold

Structure 611085-X				
Pos.	Part no.	Quantity	Description	Specification
1	012476	2	Banjo bolt	G 1/2" Long
2	012477	4	Spacer	
3	013805	5	Coupling	
5	543069	1	O-ring	37,69x3,53 - 90
6	543070	1	O-ring	32,92x3,53 - 90
7	601104	6	Seal ring	G 3/4"
8	601028	2	Coupling	G 1/4"
9	601029	2	Coupling	G 1/4" - 3/8"
10	601032	3	Coupling	G 3/8"
11	601033	4	Coupling	G 3/8" - 1/2"
12	601040	1	Coupling	G 3/4"
13	601068	3	Banjo bolt	G 1/4"
14	601101	2	Seal ring	G 1/4"
15	601102	3	Seal ring	G 3/8"
16	601103	21	Seal ring	G 1/2"
17	601200	5	Cu-washer	13x19x1,5
18	601261	2	Test point	G 1/4"
19	602114	1	Seal ring	G 1/4"
20	602018	4	Banjo body	G 1/2"
21	602057	1	Coupling	G 3/4"
22	602091	1	Plug	SAE3 1 1/4"
23	602092	1	Plug	SAE6 1"
24	611085	1	Valve	K170/L90
25	649210	1	Hose 9210	A-side
26	649211	1	Hose 9211	B-side
28	601036	2	Coupling	G 1/2"
29	016443	4	Coupling	G 3/4"
30	617008	1	Check valve	R1/4"

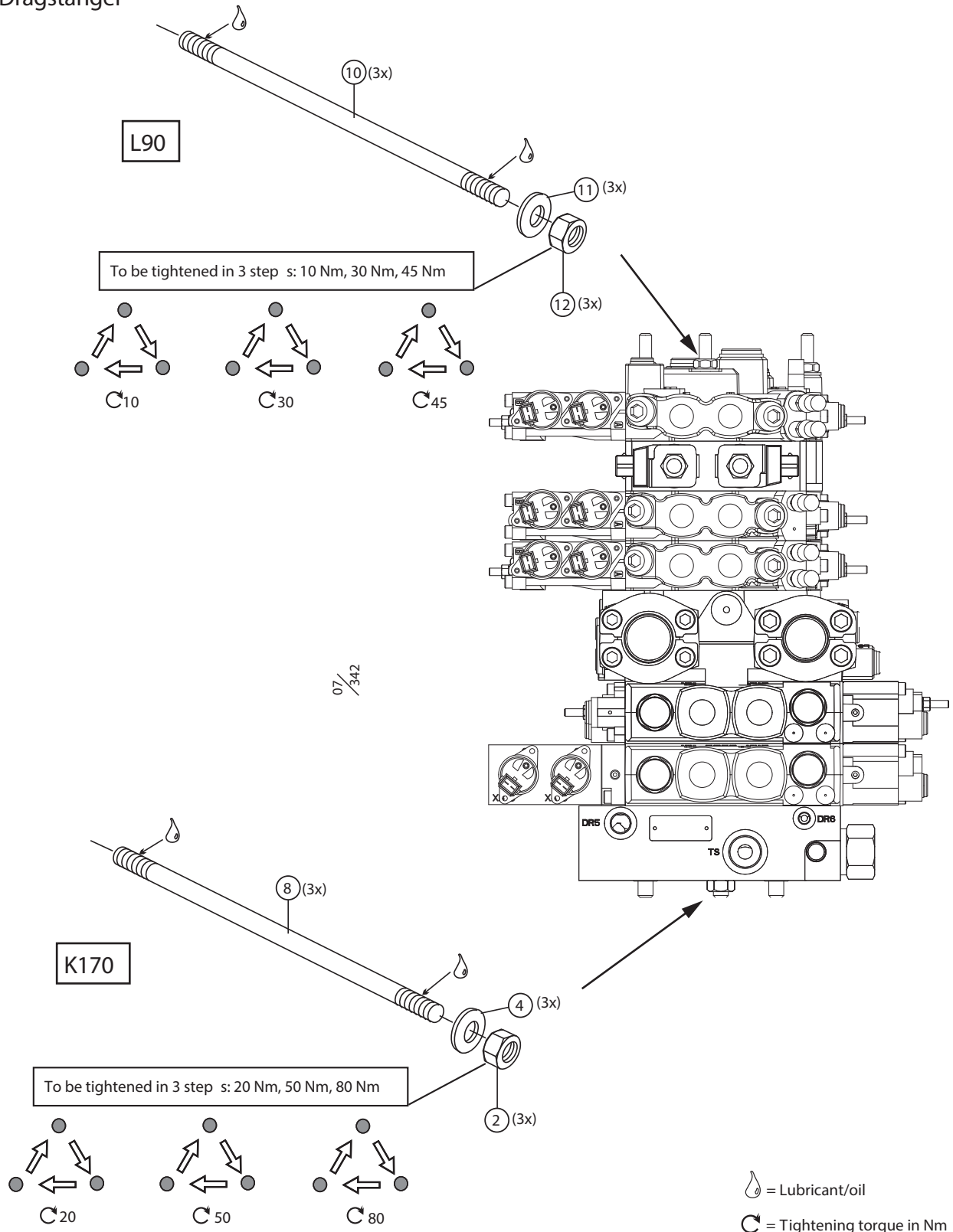


07 / 343

## Right manifold, major functions valve sections

Structure 611085-X				
Pos.	Part no.	Quantity	Description	Specification
	611085-X	1	Valve	7000XT Fixed Head
1	611196	1	Relief valve	330 bar
2	620543	1	Pressure reducer	
3	620397	1	Adjusting screw cmpl	
4	620550	1	Inlet manifold K-170	
6	620553	1	Middle section CL22	
7	620554	1	EC Lower knife section	
8	620548	1	Rotator section	
9	620549	1	Float valve	
10	620555	1	EC Upper knife section	
11	620551	1	Valve section EC Feed	
12	620552	1	Valve section PC Feed	

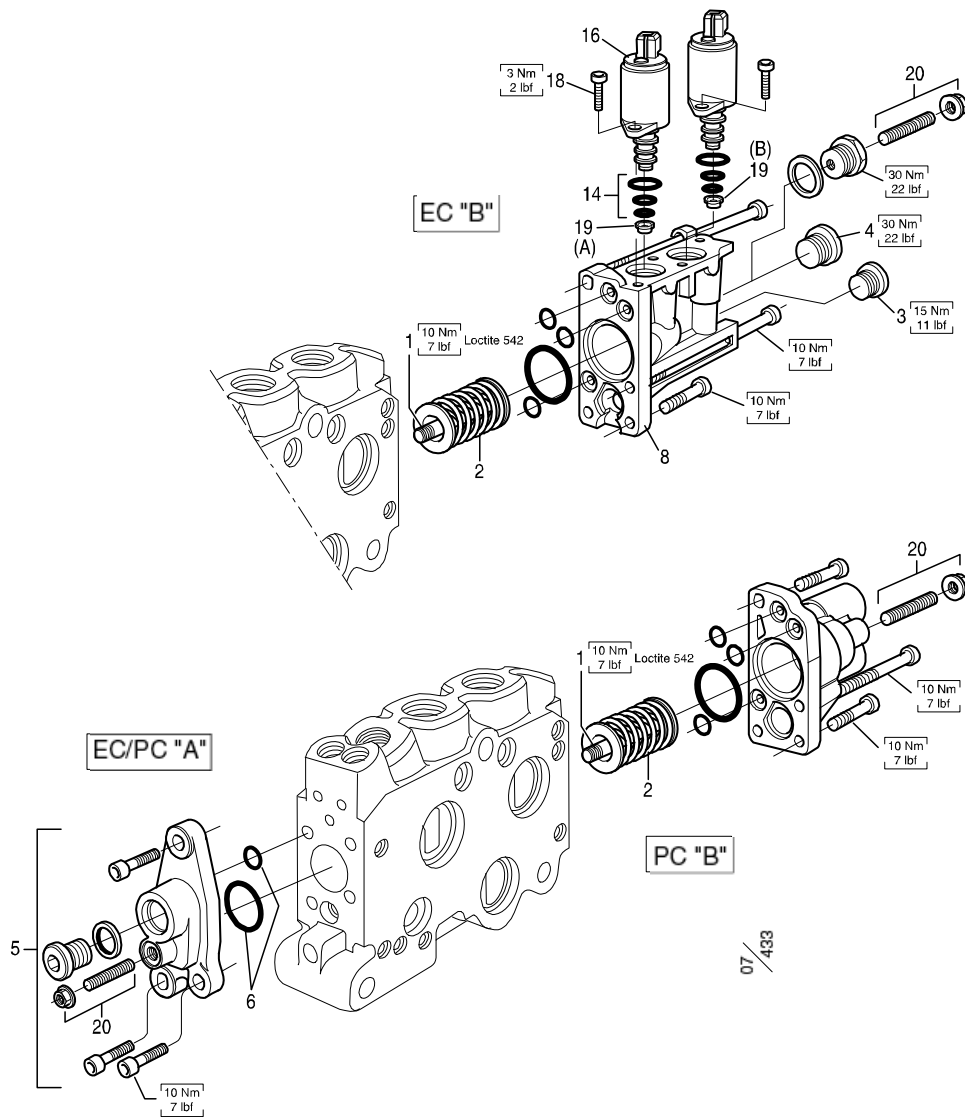
Tie Rods  
Dragstänger



## Tie rods

Structure 611098				
Pos.	Part no.	Quantity	Description	Specification
2	502007	3	Nut	M12
4	503009	3	Washer	M12
8	611310-KIT	(3)	Tie Rod Kit	K-170
10	611311-KIT	(3)	Tie Rod Kit	L-90
11	503007	3	Washer	M10
12	502006	3	Nut	M10

L90LS  
Spool control  
EC/ PC

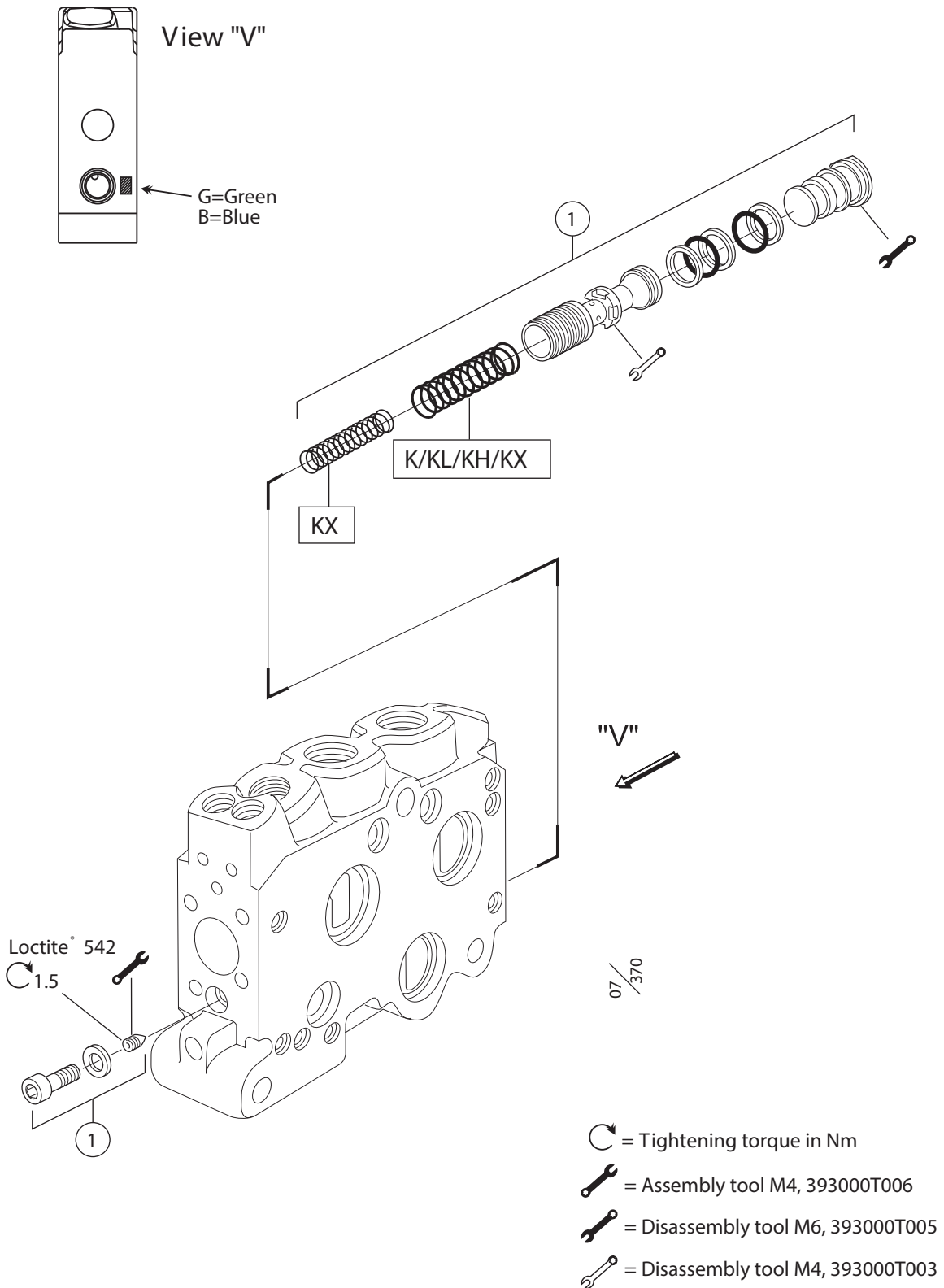




## Right main manifold, major functions spool controls

Structure 620554, 620555				
Pos.	Part no.	Quantity	Description	Specification
	620393	1	Cap kit EC-"B"-side	
1	501051	1	Socket screw	MC6S 6x40 12.9
2	620519	1	Spring kit	PC/EC
3	601000	1	Plug	1/8" R
4	601001	1	Plug	1/4" R
5	620390	1	Cap kit PC-"A"-side	
6	620373	1	Seal kit	"A" side /sida
7	620379	1	Seal kit	"B" side /sida
16	620394	4	Solenoid valve	24 VDC
18	501014	8	Socket screw	MC6S 4x12 12.9
19	620395	1	Restrictor	Ø 1,2 mm "A" L. knives/ N.knivar
19	620395	1	Restrictor	Ø 1,2 mm "B" L. knives/ N.knivar
19	620395	1	Restrictor	Ø 1,2 mm "A" L. knives/ U.knivar
19	620395	1	Restrictor	Ø 1,2 mm "B" L. knives/ U.knivar
20	620446	1	Spool limiter kit	For 620554 L. knife section

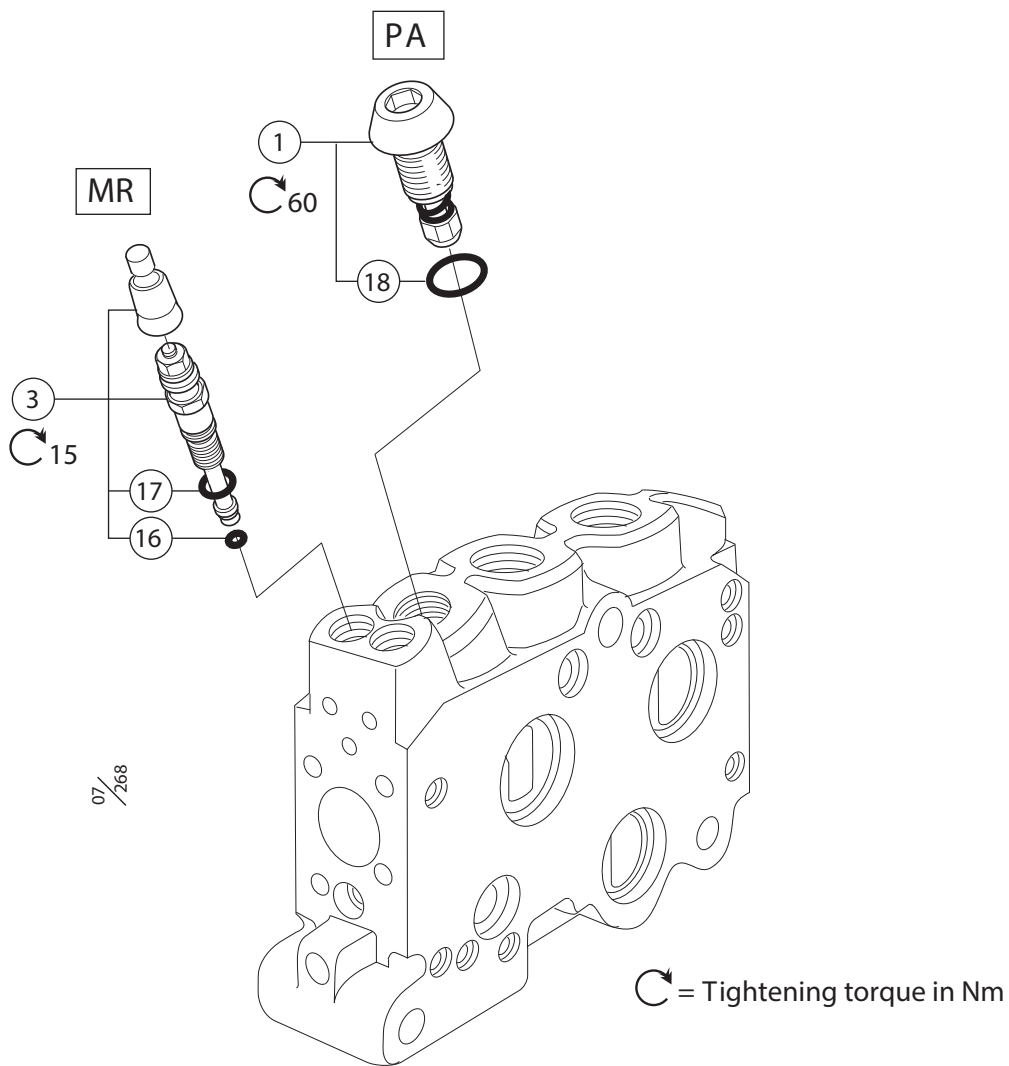
L90LS, Spool section  
Kompensator K, KL, KH, KX



## Delimiting knife section L-90 compensators

Structure 620554, 620555				
Pos.	Part no.	Quantity	Description	Specification
1	620510	1	Compensator kit	Size B, K spring, lower knife section & rotator / Storl. B, K fjäder, nedre kvistkniv sektion & rotator
1	620512	1	Compensator kit	Size G, K spring, lower knife section & rotator / Storl. G, K fjäder, nedre kvistkniv sektion & rotator
1	620511	1	Compensator kit	Size B, KX spring, upper knife section / Storl. B, K fjäder, övre kvistkniv sektion
1	620513	1	Compensator kit	Size G, KX spring, upper knife section / Storl. G, K fjäder, övre kvistkniv sektion

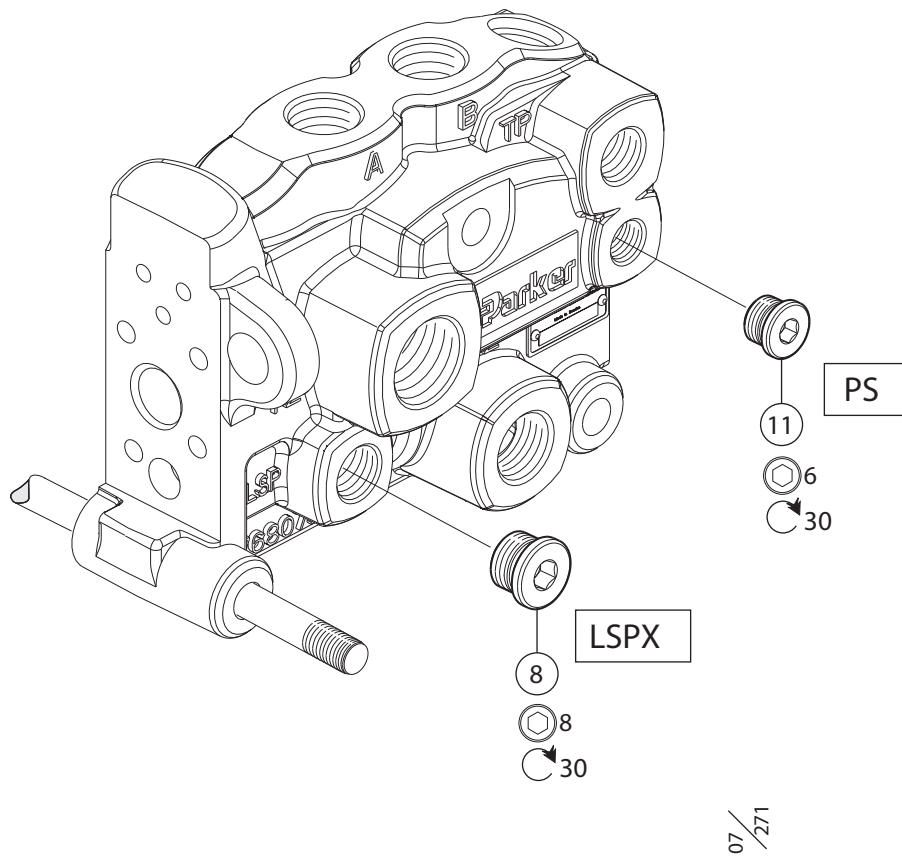
L90LS, Spool section  
Accessories MR, PA





## Right main manifold, major functions L-90

Structure 611098				
Pos.	Part no.	Quantity	Description	Specification
1	620399	2	Relief Valve	125 bar B-side
1	620404	2	Relief Valve	210 bar A-side
3	620397	4	Feed reducer	
16	540001	1	O-ring	4.1x1.6
17	543022	1	O-ring	9.5X2.0
18	540072	2	O-ring	15.3X2.4

L90LS, Spool/ Outlet (MU) Section  
PS, LSPX



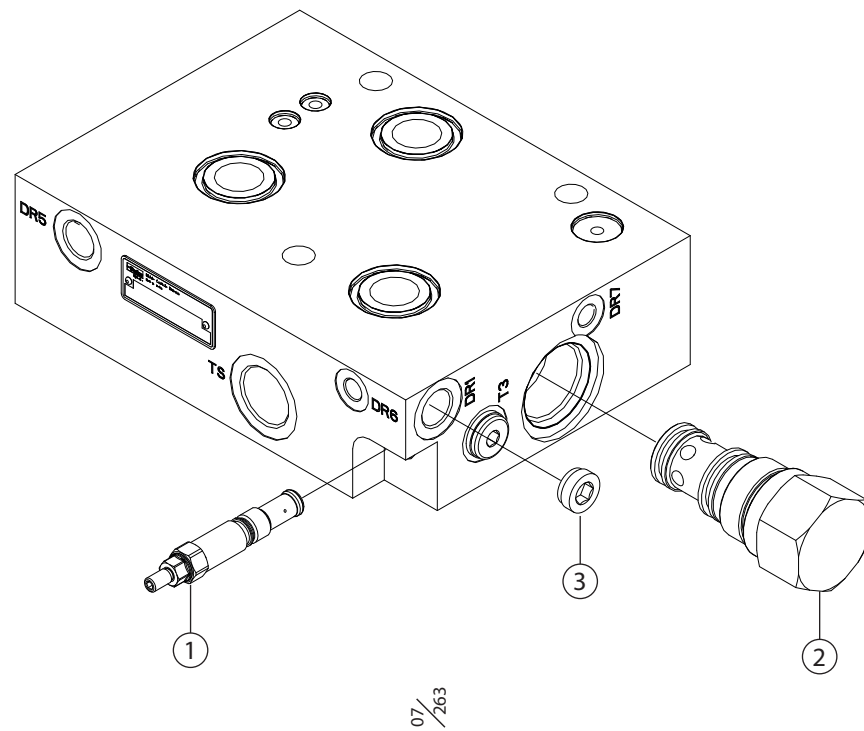
 = Tightening torque in Nm  
 = Socket head

---

## End section, L-90

Structure 611098				
Pos.	Part no.	Quantity	Description	Specification
8	601002	1	Hex plug	G 3/8" (Port LSP)
11	601001	1	Hex plug	G 1/4" (Port PS)

K170LS  
Inlet section



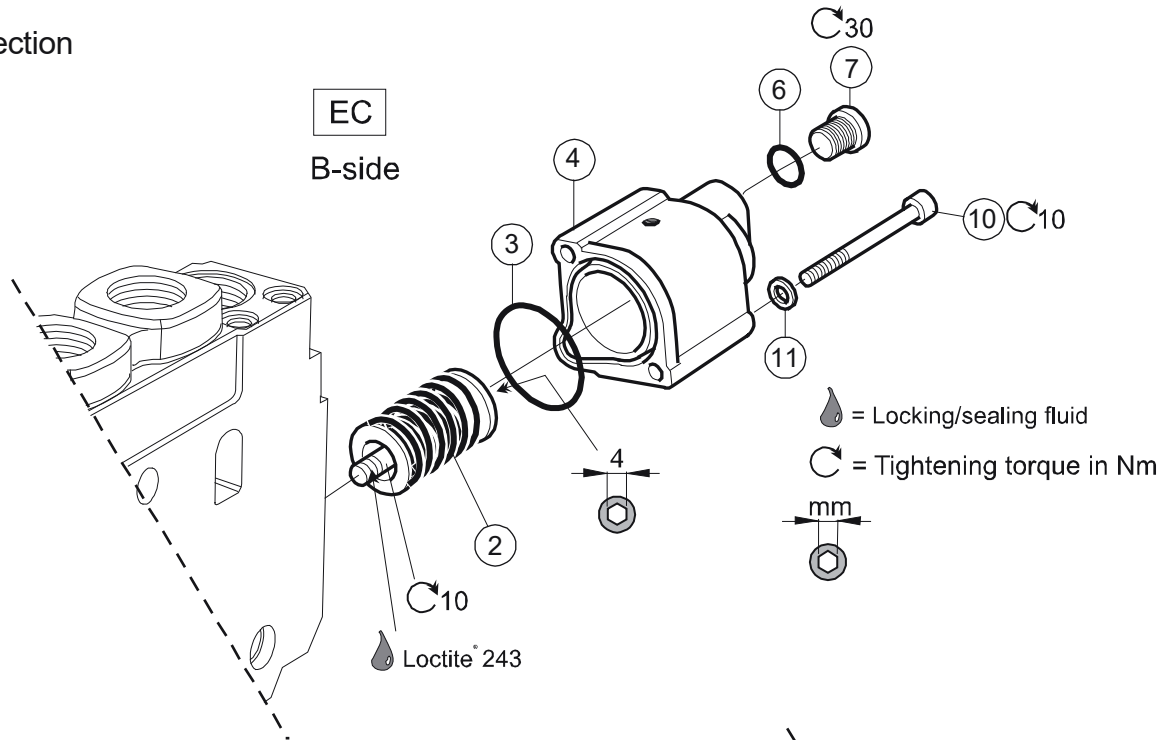
07/  
263



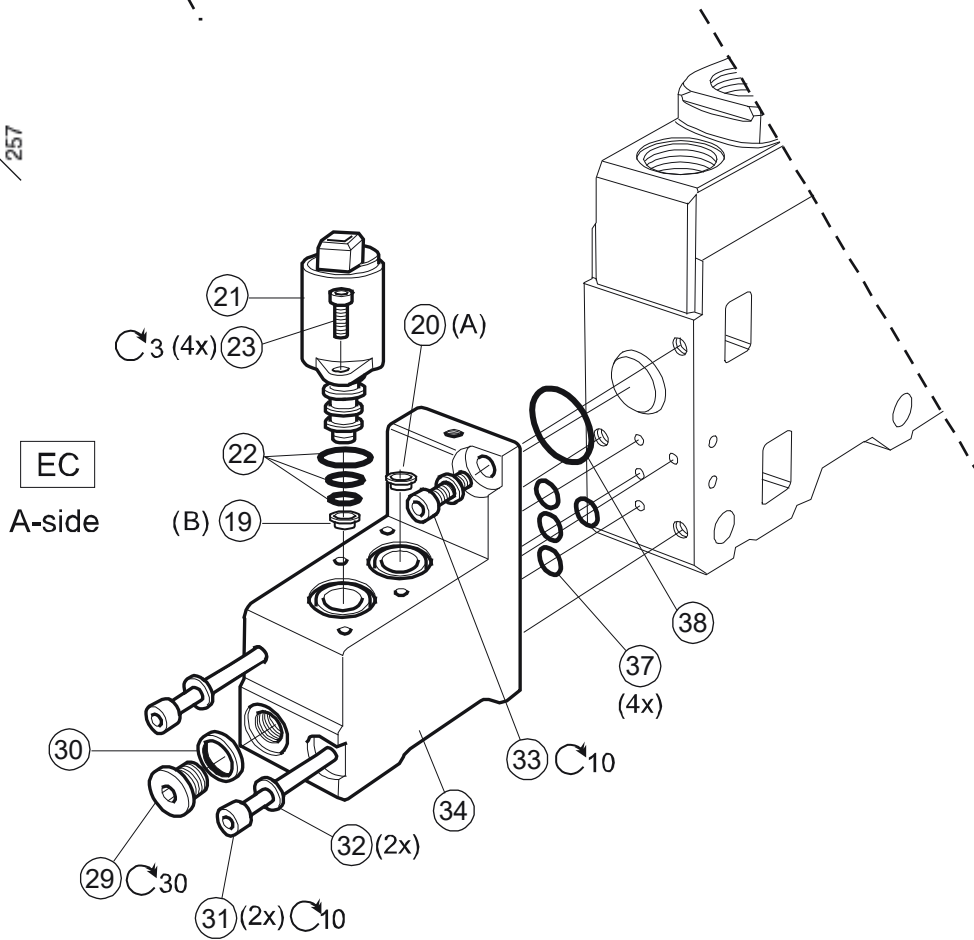
## Inlet section EC - K170 valve

Structure 611098				
Pos.	Part no.	Quantity	Description	Specification
	620550	1	Inlet section Compl.	
1	620397	1	Adjustment screw Compl.	
	611308	(1)	Seal kit	För 620397
2	620543	1	Reducervalue Compl.	
	611309	(1)	Seal kit	För 620543
3	617028	2	Check valve	

K170LS  
Spool section  
EC



07 / 257



## Feeding section EC - K170 valve

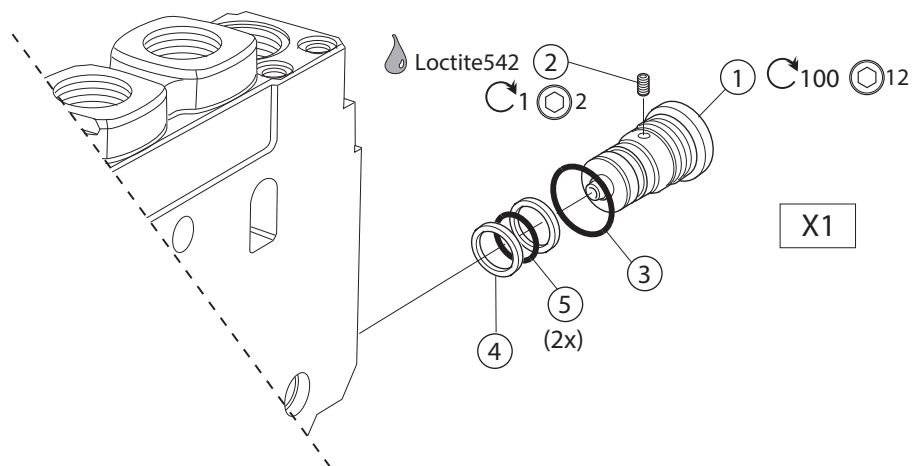
Structure 620551				
Pos.	Part no.	Quantity	Description	Specification
	620551	1	Feeding section compl.	
2	611312	1	Spring Kit	B-side / B-sida
3	611313	1	Seal Kit EC	B-side / B-sida
4	611314	1	Cap Kit EC, Compl.	B-sida – 2,3,4,5,6,7,8
9	611315	1	Cap Kit EC, Compl.	A-side
14	620374	2	Seal Kit	För 620394
19	620385	1	Pilot restrictor	1,5 mm B-sida
20	620385	1	Pilot restrictor	1,5 mm A-sida
21	620394	2	Solenoid	24V
23	501014	2	Socket screw	MC6S M4x12
40	611316	1	Sealkit EC	A-sida pos-7(*4),8,10



## Feeding section PC K170 valve

Structure 620552				
Pos.	Part no.	Quantity	Description	Specification
	620552	1	Feeding section PC	
8	611317	1	Seal Kit PC	A-side
9	611318	1	Cap Kit PC	A-side
18	611313	1	Seal Kit	
19	611312	1	Spring Kit	
20	611319	1	Cap Kit PC	B-side

K170LS  
Spool section  
Compensator plug



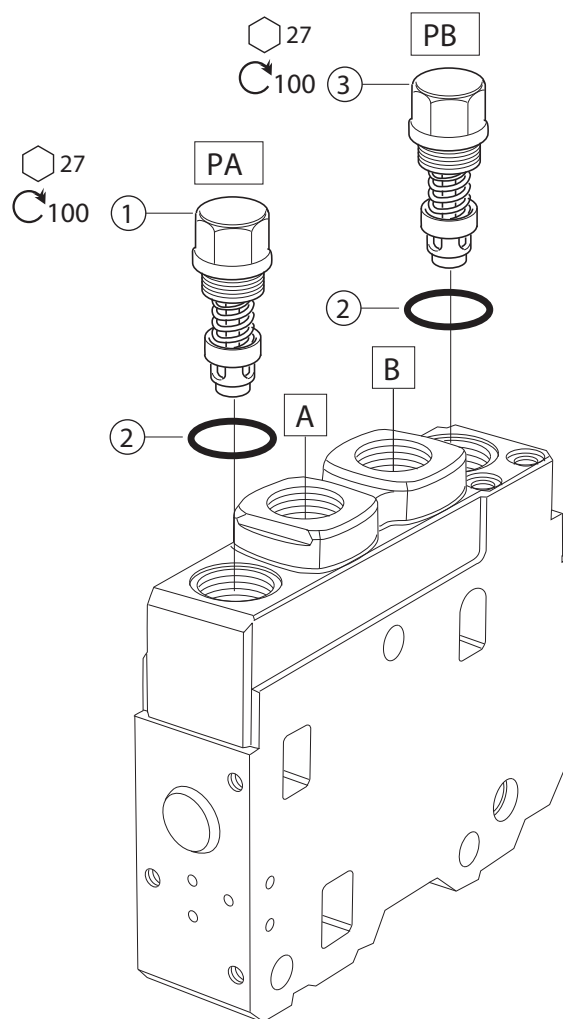
- ⊕ = Socket head
- 💧 = Locking/sealing fluid
- ↻ = Tightening torque in Nm
- ⬡ = Hexagon

07/261

## Compensator plug, feeding unit

Structure 611098				
Pos.	Part no.	Quantity	Description	Specification
	620551		Feeding section	EC
	620552		Feeding section	PC
6	611320	1	Compensator plug	Pos 1,2,3,4(2*),5
7	611321	1	Seal kit	Pos 3,4(2*),5

K170LS  
Service port accessories  
PA, PB



⬡ = Hexagon (mm)

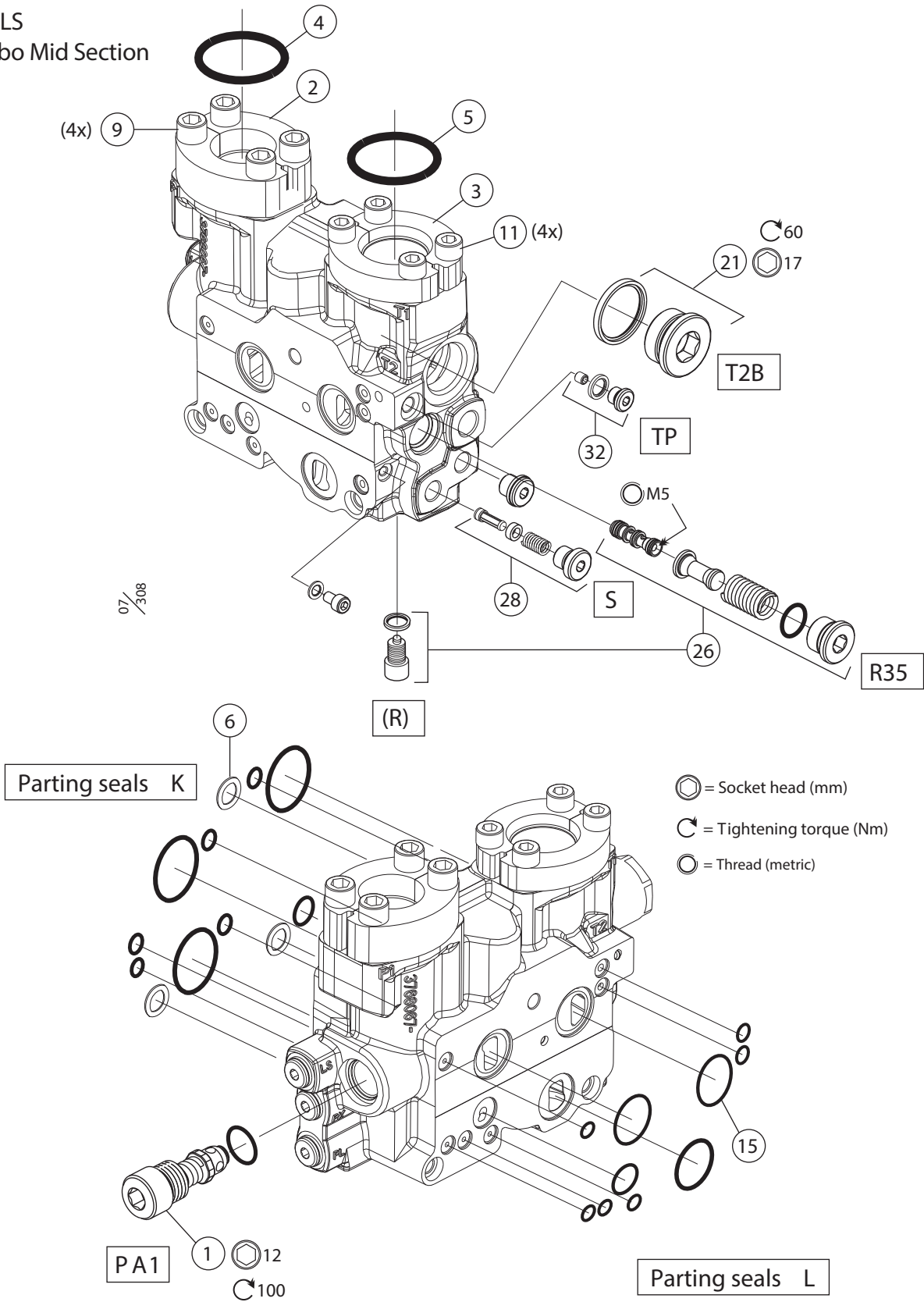
⌚ = Tightening torque in Nm



## Relief valves, feed sections K170 valve

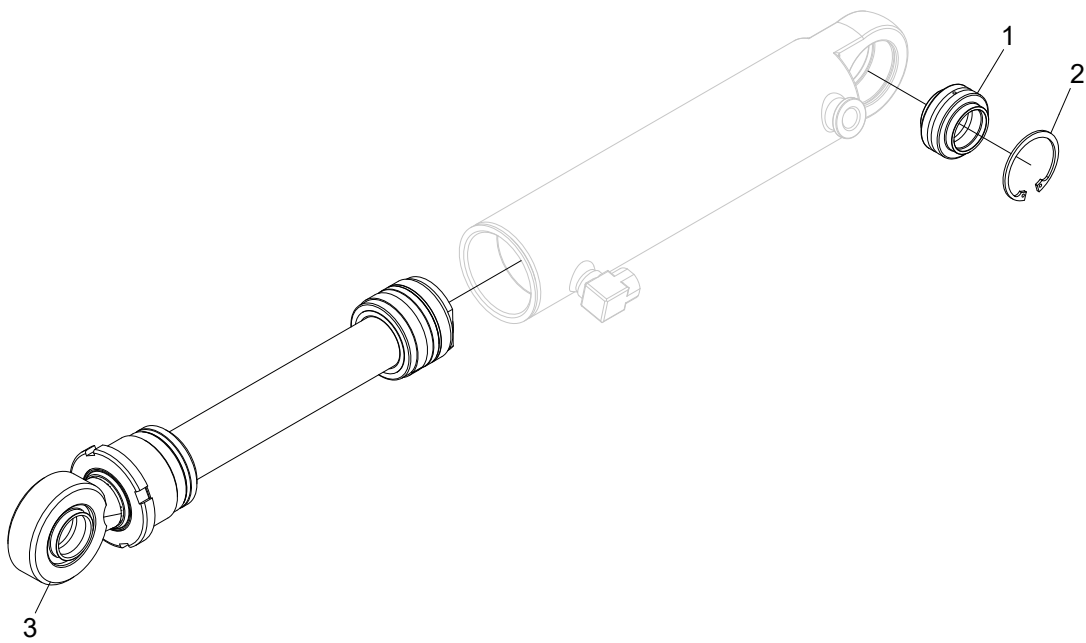
Structure 611098				
Pos.	Part no.	Quantity	Description	Specification
	620551		Feed section EC	
	620552		Feed section PC	
1	611191	1	Relief valve	330 bar A-side
3	611190	1	Relief valve	300 bar B-side
2	540047	(1)	O-ring	

K170LS  
Combo Mid Section



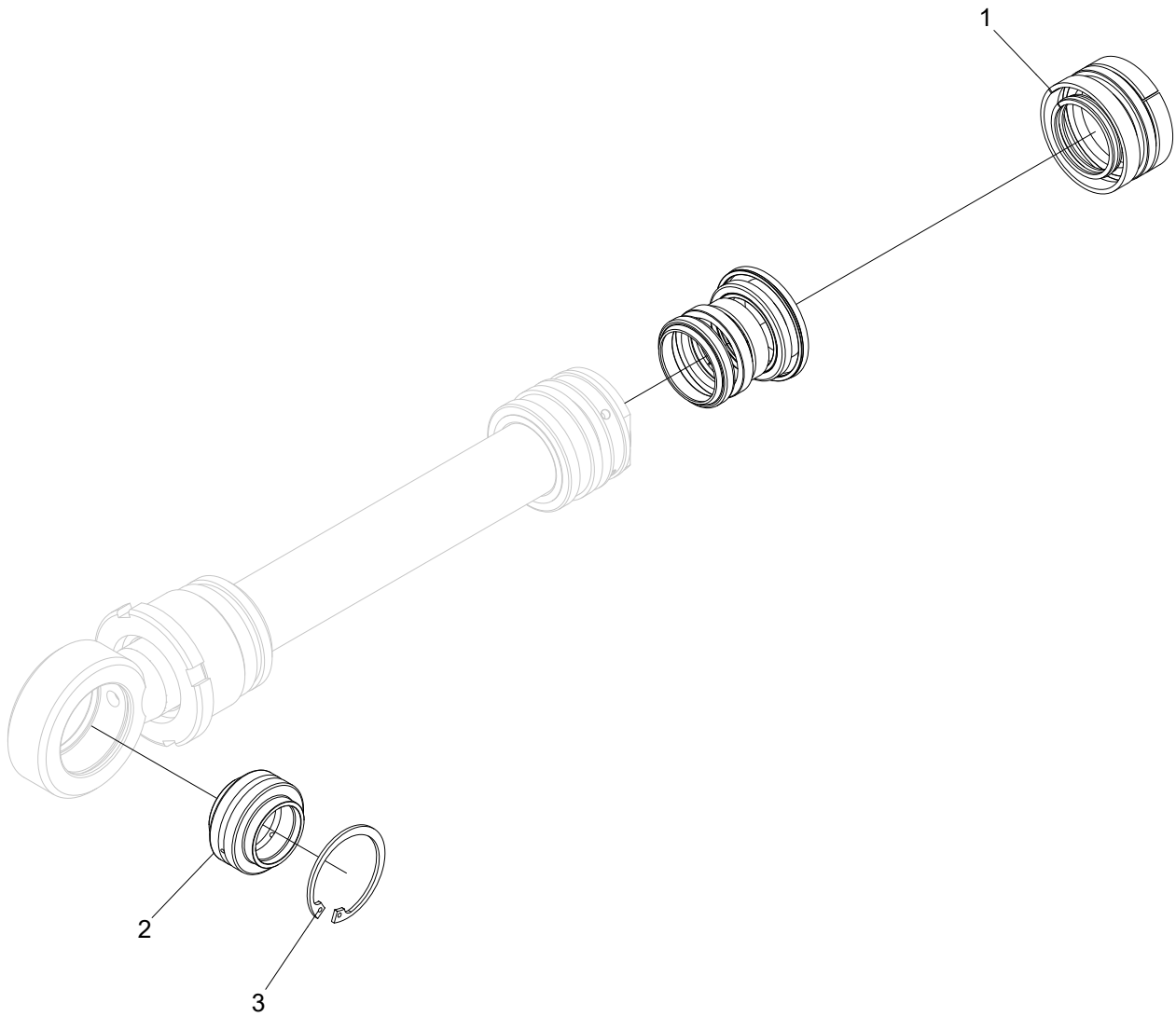
## Midsection, K170 valve

Structure 620553				
Pos.	Part no.	Quantity	Description	Specification
	620553	1	Midsection compl.	
1	611194	1	Main reliefvalve	350 bar
2	602092	1	Plug	1"
3	602091	1	Plug	1 ¼ "
4	543070	1	O-ring	För 602092
5	543069	1	O-ring	För 602091
6	611302	1	Seal kit	K170
9	501112	4	Socket screw	MC6S 12x45
11	501090	4	Socket screw	MC6S 10x20
15	620377	1	Seal kit	L – 90
21	611303	1	Plug	T2B
26	611305	1	Pilotsupply kit	35 bar, röd
26	611306	(1)	Pilotsupply kit	35 bar, grön
28	620426	1	Pilot Filter compl.	
29	620427	1	Pilot Filter	
32	611307	1	Plug	TP



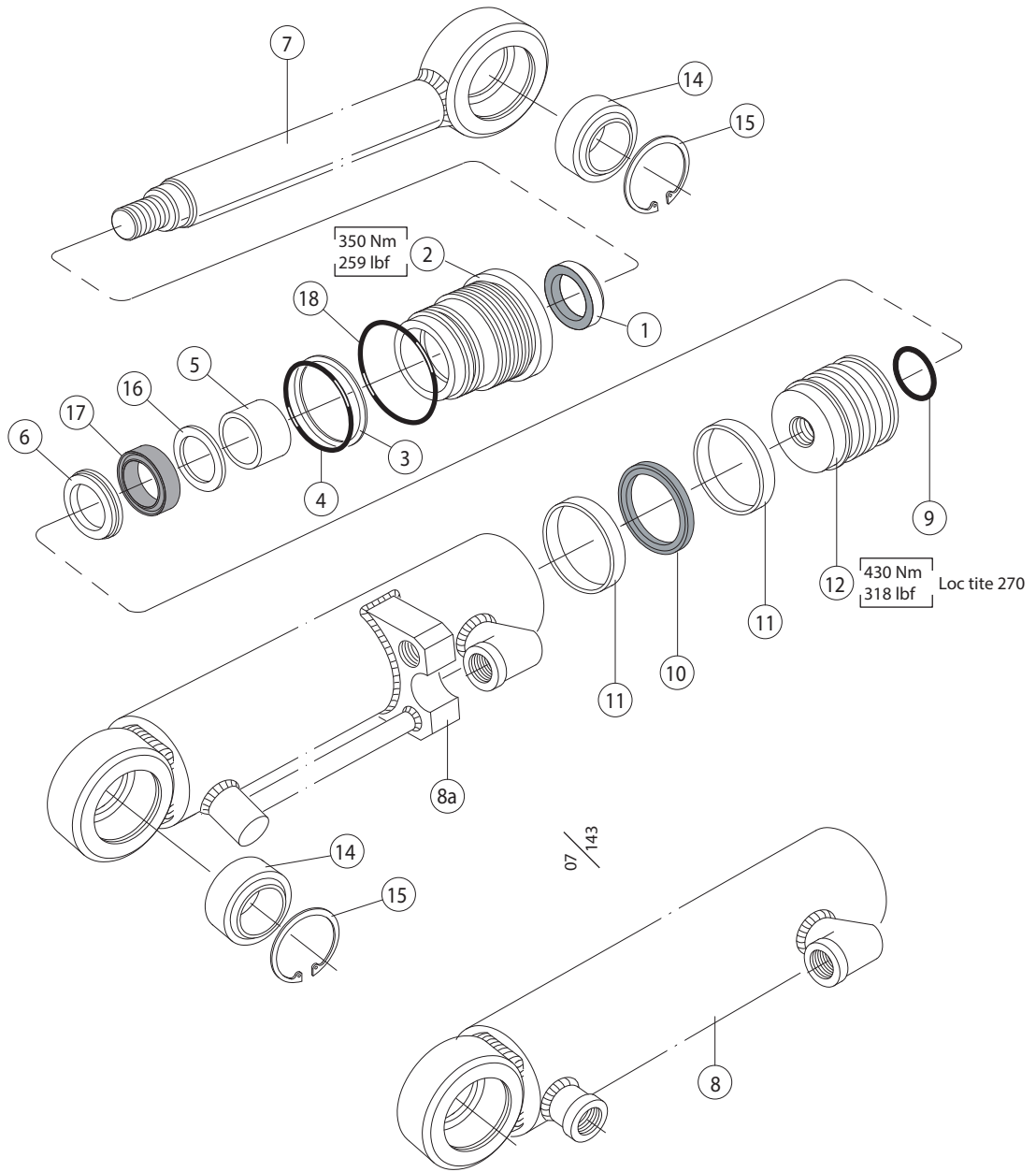
## Hydraulic cylinder 63/40

Structure 018997				
Pos.	Part no.	Quantity	Description	Specification
1	510050	1	Spherical bushing	GEEW32-ES
2	517245	1	Circlip	SGH 52
3	10000481	1	Rod kit	



## Rod kit

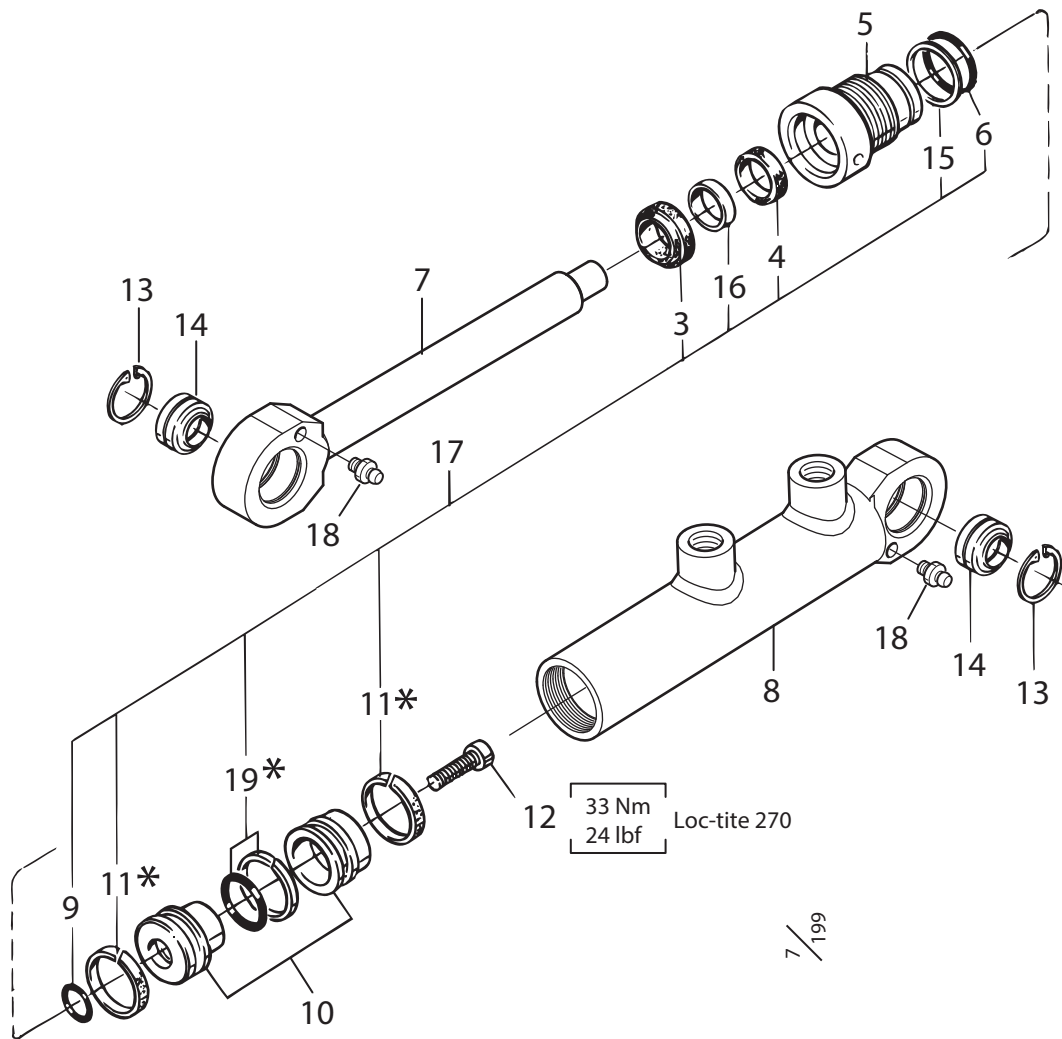
Structure 10000481				
Pos.	Part no.	Quantity	Description	Specification
1	10000480	1	Seal kit	
2	510050	1	Spherical bushing	GEEW32-ES
3	517245	1	Circlip	SGH 52





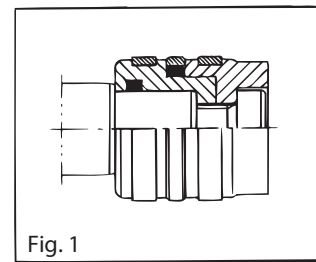
## Hydraulic cylinder 63/40

Structure 015740				
Pos.	Part no.	Quantity	Description	Specification
	015740	1	Cylinder, cmpl.	63/40
1	620085	1	Seal kit	
1		1	Wipe ring	
2	620861	1	Head	
3		1	Support ring	
4		1	O-ring	
5		1	Guide	
6		1	Lock ring	
7	620911	1	Rod,cmpl	
8	620910	1	Cylinder tube cmpl.	
8a			Cylinder	
9		1	O-ring	
10		1	Sealring	
11		2	Guide ring	
12	620803	1	Piston	
14	510011	2	Link bearing	GE45-ES
15	517253	2	Lock ring	SGH 68
16		1	Support ring	
17		1	Piston seal ring	
18		1	O-ring	



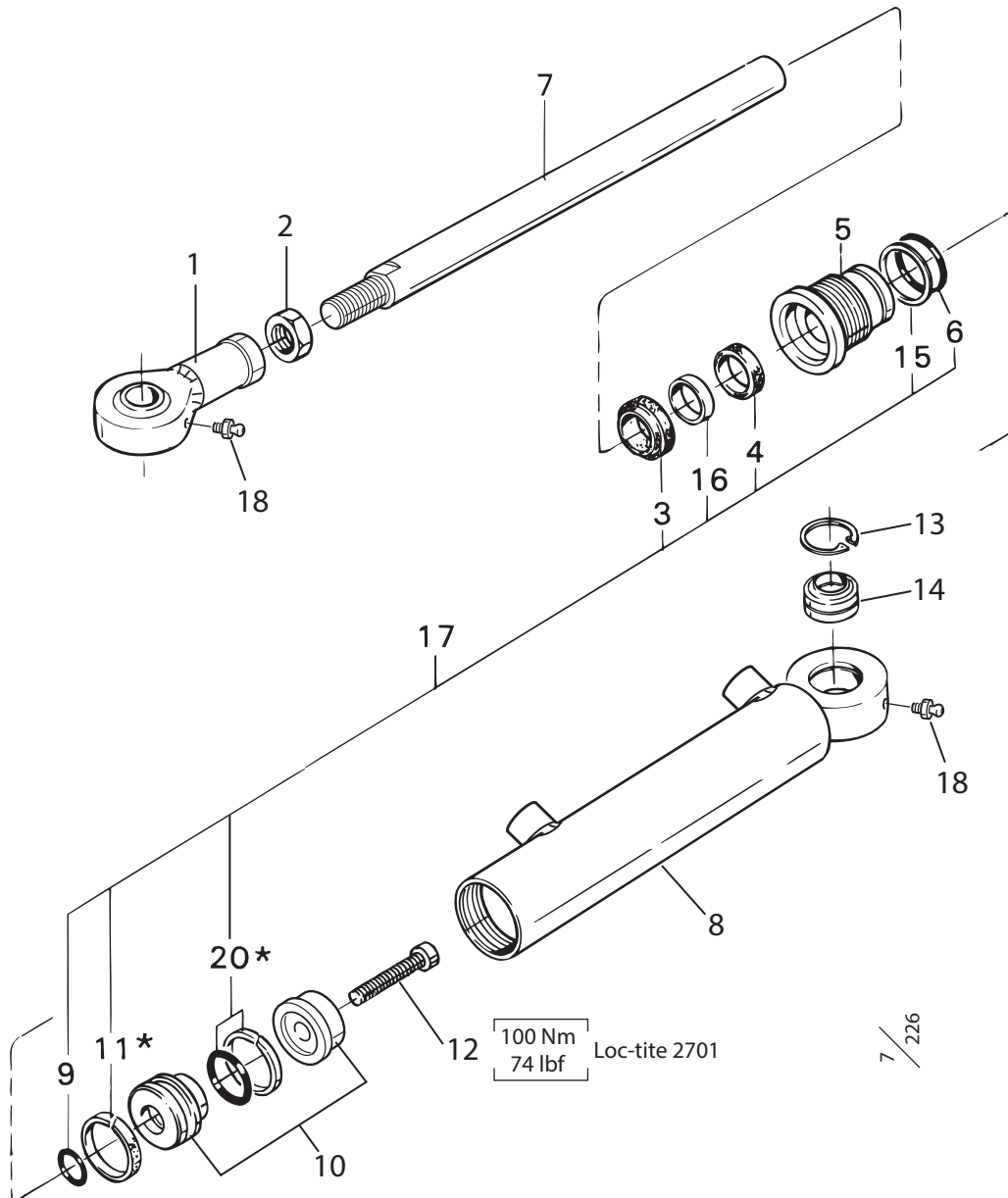
\* VIKTIGT! Före montering ska både tätning och tätningsläge rengöras och smörjas med olja. Kontroller vid montering att o-ringen inte vrids.

IMPORTANT! Before mounting, lubricate seals and grooves with oil. When mounting, check that the o-ring is not twisted.



## Hydraulic cylinder 25/16-45

Structure 015462				
Pos.	Part no.	Quantity	Description	Specification
	015462	1	Cylinder, meas. wheel	
3		1	Wipe ring	
4		1	Seal ring	
5	620011	1	Nut	
6		1	O-ring	Ø 19,2 x 3,0
7	620060	1	Rod	
8	620047	1	Tube	
9		1	O-ring	Ø 11,3 x 2,4
10	620021	1	Piston Cmpl.	
11		2	Guide ring	
12	505040	1	Socket screw	MLC6S 8x25
13	517214	2	Lock ring	I 22x1,0 V
14	015220	2	Sph. bushing	GE 12 E
15		1	Support ring	
16		1	Guide ring	
17	620003	1	Seal kit	
18	625004	2	Grease nipple	M6 str.
19		1	Seling piston	

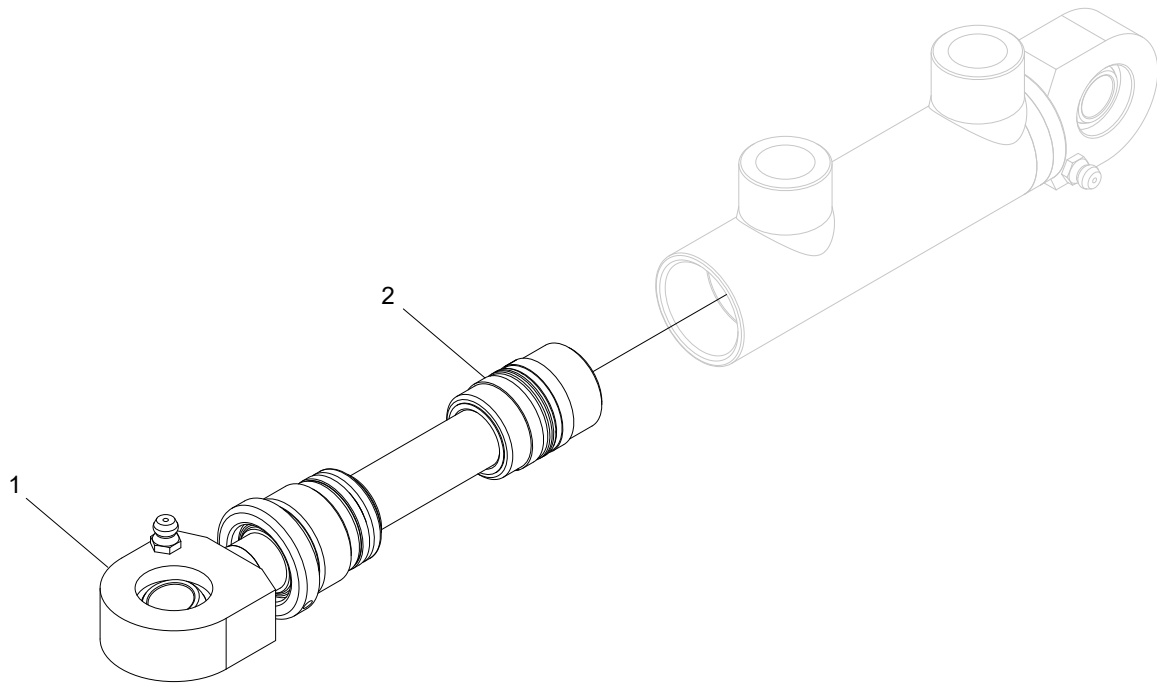


★ VIKTIGT! Före montering ska både tätning och tätningdläge rengöras och smörjas med olja. Kontrollera vid montering att o-ringens inte vrids.

IMPORTANT! Before mounting, lubricate seals and grooves with oil. When mounting, check that the o-ring is not twisted.

## Saw cylinder 40/25

Structure 015669				
Pos.	Part no.	Quantity	Description	Specification
	015669	1	Saw cylinder compl.	
1	510120	1	Linkhead	
2	502704	1	Nut low	M20x1.5
3		1	Wiper	
4		1	Seal	
5	620632	1	Nut	40/25
6		1	O -ring	Ø 34,2x3,0
7	620631	1	Rod	
8	620630	1	Tube	
9		1	O-ring	Ø 19,2x3,0
10	620041	1	Piston	
11		1	Glider ring	
12	505048	1	Socket screw	MLC6S M12x50 10.9
13	517227	1	Lock ring	JV 35
14	510005	1	Sph. bushing	GE 20 ES
15		1	Support ring	
16		1	Glider ring	
17	620071	1	Seal kit	40/25
18	625004	2 (1)	Grease nipple	
	625005	(1)	Grease nipple	Option color marking, Hultdins / Tillval, färgmärkning Hultdins
20		1	Glid o-ring	



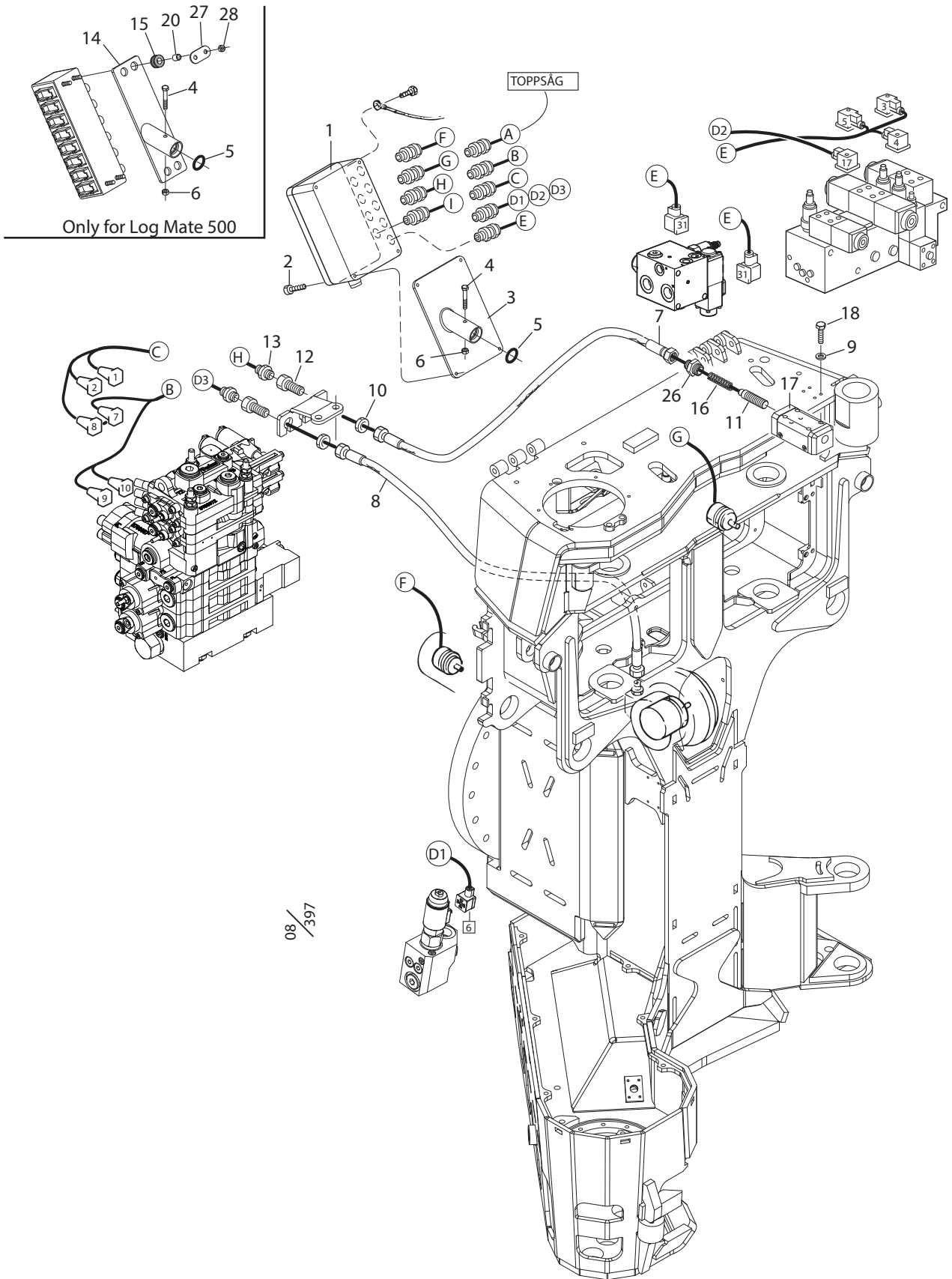
## Hydraulic cylinder

Structure 018870				
Pos.	Part no.	Quantity	Description	Specification
1	10000366	1	Tie rod kit	
2	620004	1	Seal kit	



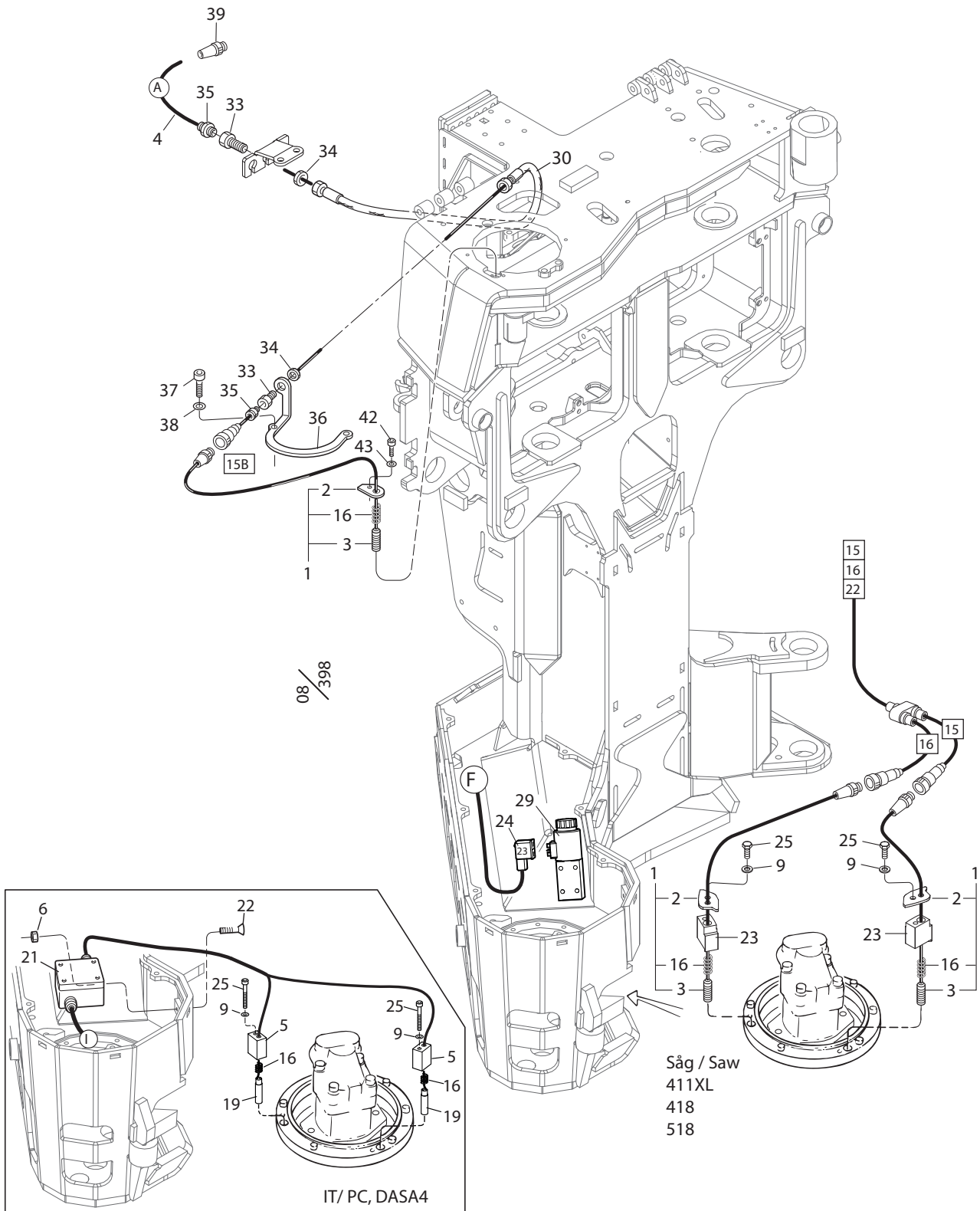


## 9. Control system



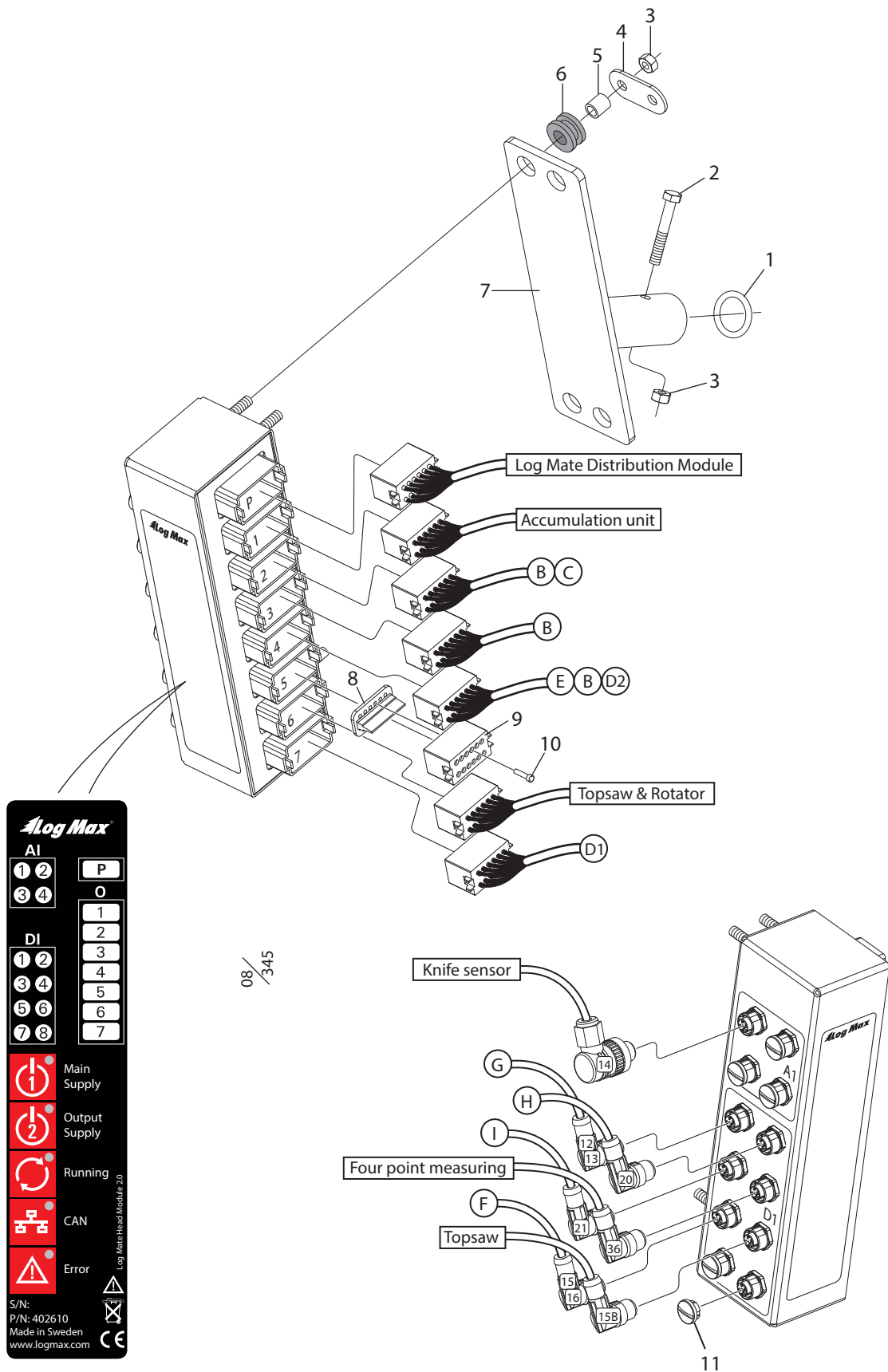
## Electrical system

Structure				
Pos.	Part no.	Quantity	Description	Specification
1		1	Terminal box	
2	501015	4	Socket screw	MC6S M4x16 12.9
3	014360	1	Quick bracket	400, IT
	013890	1	Quick bracket	DASA 4
4	500028	1	Screw	M6S M6x40 8.8
5	517004	1	Circlip	22 mm
6	502053	1	Low nut	M6 Loc
7	645339	1	Hose 5339	
8	645308		Hose 5308	
9	503065	4	Washer	Nordlock M6
10	601249	2	Nut	R 3/8"
11	013007	1	Magnetic sensor	
12	014287	2	Bulk head	R3/8"
13	401770	2	Cable Sleeve	PG 9
14	016854	1	Bracket	Log Mate 500
15	402059	4	Rubber bushing	Log Mate 500
16	526015	1	Spring	
17	016929	1	Sensor bracket	
18	500025	4	Screw	M6S M6x25
20	402585	4	Spacer sleeve	6x10-9
26	016931	1	Coupling	G3/8" UF -M20x1,5 UF
27	016852	2	Washer	Log Mate 500
28	502053	4	Nut	M6



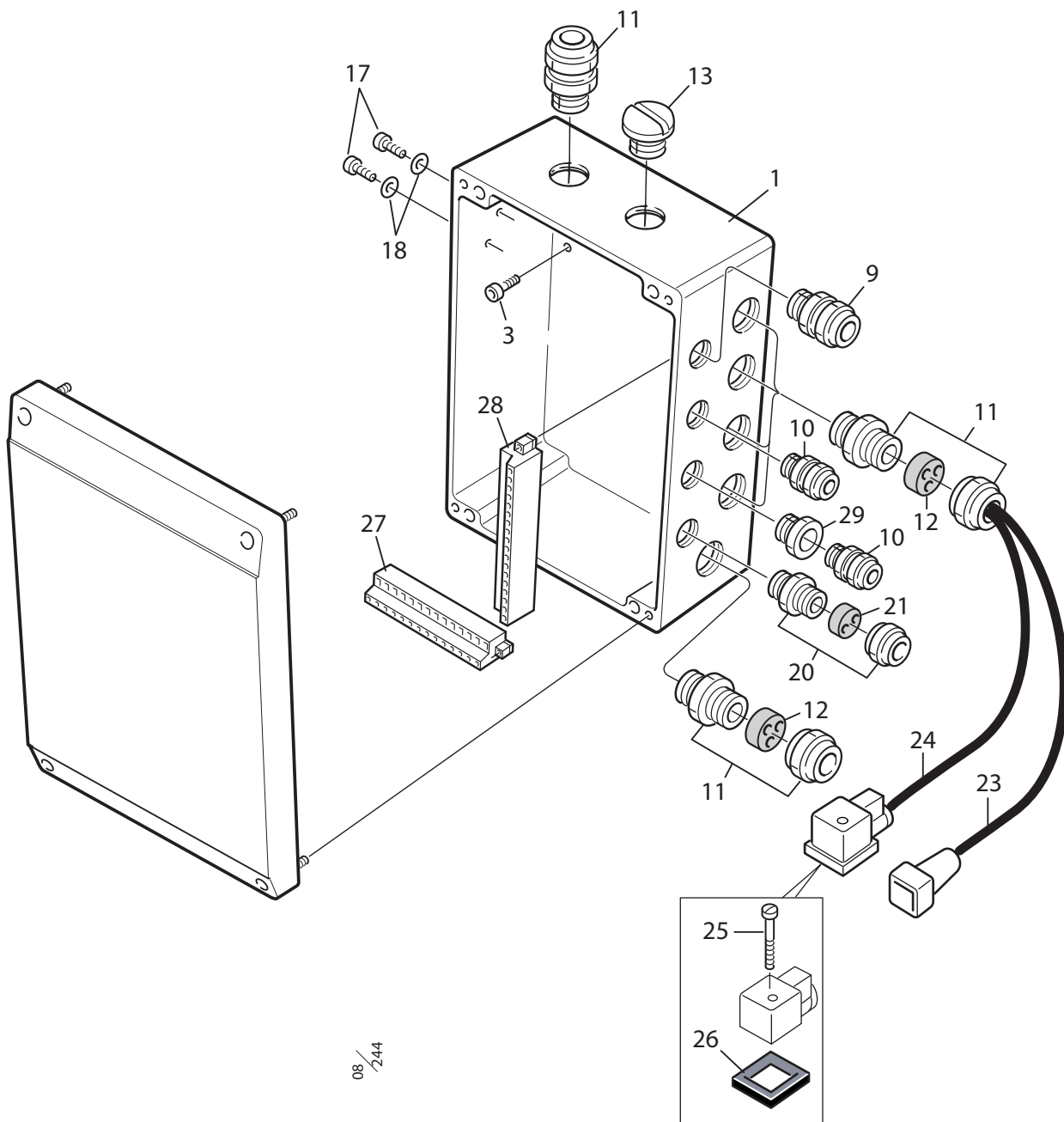
## Electrical system saw unit 411, 418, 518

Structure				
Pos.	Part no.	Quantity	Description	Specification
1	017283	2	Sensor with cabel	Magnetic sensor
2	016531	3	Plate	
3		3	Magnetic sensor	
4	402587	1	Cable	
5	014938	2	Sleeve	
6	502053	2	Nut	Loc M6
9	503065	2	Washer	Nordlock M6
16	526015	3	Spring	
19	016279	2	Magnetic sensor	
21	402203	1	Lower term. Box	
22	501045	2	Socket screw	MC6S M6X16 12.9
23	017251	2	Sleeve	
24	401026	1	Cable w.conn.	1 m
25	501053	2	Socket screw	MC6S M6x50 12.9
29	033027	1	Pump cmpl.	0,20 24V
30	645375	1	Hose 5375	
33	014287	2	Bulkhead	R 3/8"
34	601249	2	Nut	G 3/8"
35	401770	2	Cable Sleeve	PG 9
36	015743	1	Cable Bracket	
37	501111	2	Socket screw	MC6S M12x35
38	503060	2	Washer	Nordlock M12
39	401358	1	Cable housing	5-pin/ 5-pol
42	501043	1	Socket screw	MC6S M6X12
43	503065	1	Washer	M6 Nordlock



## Log Mate 500

Structure				
Pos.	Part no.	Quantity	Description	Specification
1	517004	1	Lock ring	
2	500023	1	Screw	M6S M6X16
3	502053	5	Nut	Loc M6
4	016852	2	Washer	Log Mate 500
5	402585	4	Spacer sleeve	6x10-9
6	402059	4	Rubber bushing	Log Mate 500
7	016854	1	Bracket	Log Mate 500
8	402086	Erf.	Wedge	DT06 12-POL
9	402080	Erf.	Connector	DT06-12SB EP06 HANE 12-POL
10	402077	Erf.	Plug	White / Vit
11	401310	Erf.	Cover	M12 Female / Hona

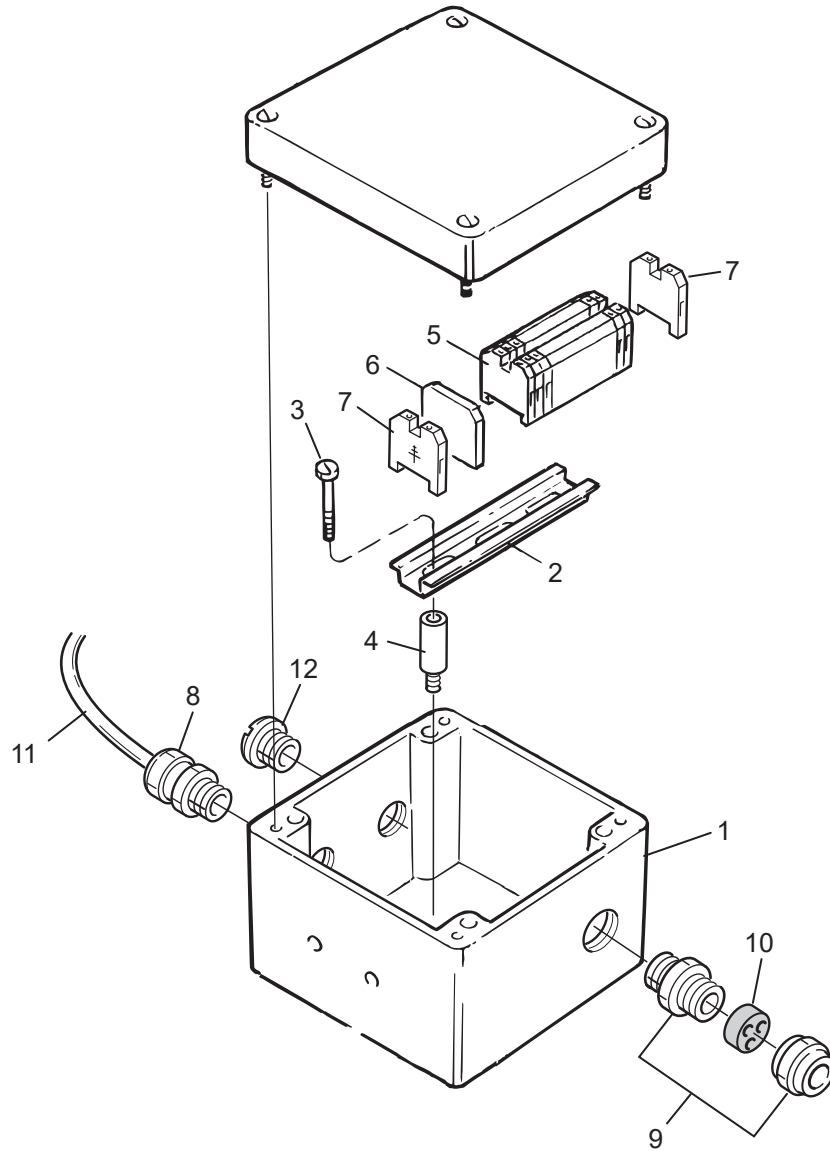


08/244



## Terminal box, IT/PC 402

Structure 006116				
Pos.	Part no.	Quantity	Description	Specification
1	013921	1	Terminalbox	
3	500560	4	Screw	MCS 4X8
9	401093	1	Cable sleeve	PG 9 For/För 9 mm cable/kabel
10	401060	2	Cable sleeve	PG 7
11	401157	6	Cable sleeve	PG 16 Skintop MS 16
12	401096	5	Cable sealing	PG 16 3x6mm
13	401071	1	Plug	PG 16
17	500530	2	Screw	MCS M5x6
18	503003	2	Washer	BRB 5.3X10X1
20	401772	1	Cable sleeve	PG 11
21	401773	1	Cable sealing	PG 11 2x4 mm
23	401295	6	Cable w. conn	L-90/K170
24	401026	5	Cable w. conn	1m
25	401315	1	Screw oem cable	M3X25
26	401324	1	Seal, valve cap	
27	401518	1	Terminal	IT/PC
	401588	1	Contact	402
28	401519	2	Terminal	IT/PC
	401589	3	Contact	402
29	401282	1	Reducer	PG11 - PG7

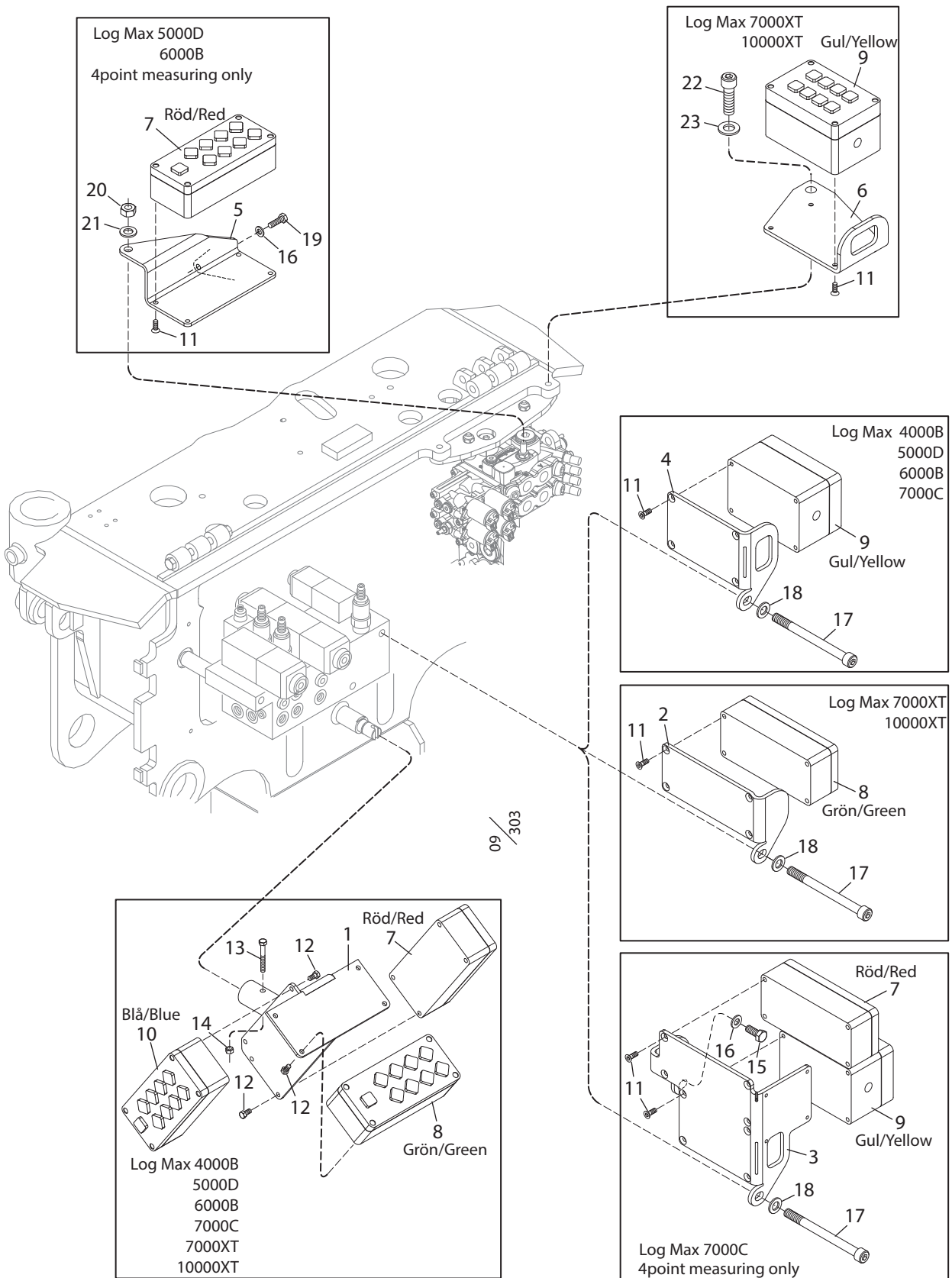


08 /  
076

Log Max - Nedre kopplingsbox

## Lower connection box

Structure 402203				
Pos.	Part no.	Quantity	Description	Specification
1	012951	1	Lower conn. box	
2	401054	1	Rail	L=60 mm TS15
3	500513	2	Screw	MCS 4x5
4	402013	2	Spacer	M4x10
5	401051	9	Cable terminal	AKZ 2,5
6	401052	1	End cover	AKZ 2,5
7	401101	2	Ground connection	Yellow – Green /Gul - Grön
8	401093	1	Cable sleeve	PG 9 For/För 9 mm cable/kabel
9	401157	1	Cable sleeve	PG 16 Skintop MS 16
10	401096	1	Cable sealing	PG 16 3x6 mm
11	401073	1	Cable	12-part /led., L=2.5m
12	401071	1	Plug	PG16



## Dasa brackets and boxes

Structure				
Pos.	Part no.	Quantity	Description	Specification
1	014363	1	Quick bracket	DASA4
2	016551	1	Bracket	Only for Extreme series
3	022135	1	Bracket	4point measuring 7000C only
4	014250	1	Bracket	DASA4
5	017054	1	Bracket	4point measuring 5000D/6000B only
6	016593	1	Bracket.	Only for Extreme series
7	7009847	1	Box red	D418
8	7009846	1	Box green	D408A
9	7009843	1	Box yellow	D4CU
10	7009845	1	Box blue	D408D
11	504019	Erf.	Socket screw	MF6S M5X16
12	501028	Erf.	Socket screw	MC6S M5X16
13	500028	Erf.	Screw	M6S M6X40
14	502053	Erf.	Nut	M6
15	500043	Erf.	Screw	M6S M8X20
16	503065	Erf.	Washer	Nordlock M6
17	501104	Erf.	Socket screw	MC6S M10X140
18	503057	Erf.	Washer	Nordlock M10
19	501048	Erf.	Socket screw	MC6S M6X25
20	502055	Erf.	Nut	M10
21	503007	Erf.	Washer	10X18X2.0 FZB
22	501113	Erf.	Socket screw	MC6S M12X50
23	503076	Erf.	Washer	Nordlock Wide/Stor M12



## 10. Hose kits

**Hose kit Log Max 7000XTFixedHead**

**General Hose Kit**

From Head no. 470056

Language en

Part No. 645363/470056

V. 221025

Crimp. = Crimp diameter | cyl. = cylinder | Ex. = External | L. = Left | Lo. = Lower | Mani. = Manifold  
 Meas. Wheel = Measuring Wheel | No. = number | Pres. Rating = Pressure Rating | Red. = Reducer | R. = Right  
 SBR = Saw Bar Rescue | Str. = Straight | Stump treatm. = Stump treatment | Tot. = Total | U. = Upper | WEOPI = WEO Plug-In

Hose no.	Connections		Fittings		Ferrules	Length	Hose type			Note			
	Connection 1	Connection 2	Fitting 1	Fitting 2			Part no.	Size	Pres. Rating		Part no.	Standard	
615050	Hose guard					Total Cut	900 mm	1"					
	Felling link cyl.												
615051	Hose guard					750 mm		2"					
	L. Roller motor												
615051	Hose guard					750 mm		2"					
	L. Roller motor												
615019	Protective hose 8mm					1110 mm							
	Super Greasy												
649210	R. Manifold S2 PB-AT		BSP -04 Banjo		601179			3/16"		615024			
	R. Manifold S3 PB-AT		BSP -04 Str.		601195	90 mm		360 bar					
649211	R. Manifold S2 PA-BT		BSP -04 Banjo		601179			3/16"		615024			
	R. Manifold S3 PA-BT		BSP -04 Banjo		601179	150 mm		360 bar					
645453	L. Manifold A1		BSP -04 90		601160	354 mm		1/4"		615071		180°	
	Restrictor check valve		BSP -04 90		601170	310 mm		450 bar		EN 857 2SC			
645454	R. Manifold S1 PM2		BSP -04 90		601170	756 mm		1/4"		615071			
	Test Point PM2		BSP -04 Str.		601150	720 mm		450 bar		EN 857 2SC			
645463	R. Manifold S4 PS		BSP -04 45		601175	1703 mm		1/4"		615071			
	Super Greasy P		BSP -04 45		601175	1630 mm		450 bar		EN 857 2SC			
645464	R. Manifold S4 TP		BSP -04 Str.		601150	1665 mm		1/4"		615071			
	Super Greasy DR		BSP -04 45		601175	1610 mm		450 bar		EN 857 2SC			
645490	Air bleed oil tank		BSP -04 Banjo		601149	731 mm		1/4"		615071			
			BSP -04 Str. Ex.		601159	680 mm		450 bar		EN 857 2SC			



**Hose kit Log Max 7000XTFixedHead**

**General Hose Kit**

From Head no. 470056

Language **en**

Part No. **645363/470056**

V. 221025

Crimp. = Crimp diameter | cyl. = cylinder | Ex. = External | L. = Left | Lo. = Lower | Mani. = Manifold  
 Meas. Wheel = Measuring Wheel | No. = number | Pres. Rating = Pressure Rating | Red. = Reducer | R. = Right  
 SBR = Saw Bar Rescue | Str. = Straight | Stump treatm. = Stump treatment | Tot. = Total | U. = Upper | WEOPI = WEO Plug-In

Hose no.	Connections		Fittings		Ferrules	Length	Hose type			Note	
	Connection 1	Connection 2	Fitting 1	Fitting 2			Part no.	Size	Pres. Rating		Part no.
647720	L. Manifold SM		BSP -04 90		601170	216 mm	1/4"	615071			
	Test Point SM		BSP -04 Str.		601150	180 mm	450 bar	EN 857 2SC			
647721	L. Manifold P2		BSP -04 90		601170	226 mm	1/4"	615071			
	Test Point P2		BSP -04 Str.		601150	190 mm	450 bar	EN 857 2SC			
647758	R. Manifold S1 PM2		BSP -04 Str.		601150	470 mm	1/4"	615071			
	L. Manifold PS		BSP -04 90		601160	420 mm	450 bar	EN 857 2SC			
647759	L. Manifold A51		BSP -04 90		601160	400 mm	1/4"	615071		130°	
	Accumulator		BSP -06 90		601533	340 mm	450 bar	EN 857 2SC			
647762	R. Manifold S4 TP		BSP -04 90		601170	630 mm	1/4"	615071			
	Test Point TP		BSP -04 Str.		601150	590 mm	450 bar	EN 857 2SC			
645425	R. Manifold S8 B		BSP -06 Str.		601151	491 mm	3/8"	615072			
	L. Knife cyl. B		BSP -06 90		601171	450 mm	385 bar	EN 857 2SC			
645426	R. Manifold S8 B		BSP -06 90		601171	541 mm	3/8"	615072			
	R. Knife cyl. B		BSP -06 Str.		601151	500 mm	385 bar	EN 857 2SC			
645427	R. Manifold S8 A		BSP -06 90		601171	565 mm	3/8"	615072			
	L. Knife cyl. A		BSP -06 Banjo		601148	520 mm	385 bar	EN 857 2SC			
645428	R. Manifold S8 A		BSP -06 Str.		601151	964 mm	3/8"	615072			
	R. Knife cyl. A		BSP -06 Banjo		601148	920 mm	385 bar	EN 857 2SC			
645433	R. Manifold S5 A		BSP -06 90		601171	1615 mm	3/8"	615072			
	Lo. Knife cyl. A		BSP -06 Banjo		601148	1570 mm	385 bar	EN 857 2SC			
645434	R. Manifold S5 B		BSP -06 90		601171	1841 mm	3/8"	615072			
	Lo. Knife cyl. B		BSP -06 Str.		601151	1800 mm	385 bar	EN 857 2SC			

**Hose kit Log Max 7000XTFixedHead**

**General Hose Kit**

From Head no. 470056

Language en

Part No. 645363/470056

V. 221025

Crimp. = Crimp diameter | cyl. = cylinder | Ex. = External | L. = Left | Lo. = Lower | Mani. = Manifold  
 Meas. Wheel = Measuring Wheel | No. = number | Pres. Rating = Pressure Rating | Red. = Reducer | R. = Right  
 SBR = Saw Bar Rescue | Str. = Straight | Stump treatm. = Stump treatment | Tot. = Total | U. = Upper | WEOPI = WEO Plug-In

Hose no.	Connections		Fittings		Ferrules	Length	Hose type			Note	
	Connection 1	Connection 2	Fitting 1	Fitting 2			Part no.	Total	Size		Part no.
647722	Meas. Wheel Arm		BSP -06 Str.		601151	601121	3/8"	615072	Crimp. 22		
	Bracket		BSP -06 Str.		601151	601121	385 bar	EN 857 2SC			
647724	L. Manifold B42		BSP -06 90		601171	601121	3/8"	615072	30°		
	L. Roller arm cyl. A		BSP -06 Banjo		601148	601121	385 bar	EN 857 2SC			
647725	L. Manifold A42		BSP -06 90		601171	601121	3/8"	615072			
	L. Roller arm cyl. B		BSP -06 Str.		601151	601121	385 bar	EN 857 2SC			
647726	L. Manifold B41		BSP -06 90		601171	601121	3/8"	615072	45°		
	R. Roller arm cyl. A		BSP -06 Banjo		601148	601121	385 bar	EN 857 2SC			
647727	L. Manifold A43		BSP -06 90		601171	601121	3/8"	615072			
	R. Roller arm cyl. B		BSP -06 Str.		601151	601121	385 bar	EN 857 2SC			
647730	L. Manifold B43		BSP -06 Str.		601151	601121	3/8"	615072			
	Accumulator		BSP -08 Banjo		601370	601121	385 bar	EN 857 2SC			
647735	R. Manifold S1 DR1		BSP -06 Str.		601151	601121	3/8"	615072			
	R. Roller motor 1		BSP -06 90		601171	601121	385 bar	EN 857 2SC			
647736	R. Manifold S1 DR2		BSP -06 45		601176	601121	3/8"	615072			
	L. Roller motor 1		BSP -06 90		601171	601121	385 bar	EN 857 2SC			
647760	Accumulator		BSP -06 90		601161	601121	3/8"	615072			
	Meas. Wheel cyl. B		BSP -06 45		601176	601121	385 bar	EN 857 2SC			
647761	Meas. Wheel cyl. A		BSP -06 90		601161	601121	3/8"	615072	15°		
	L. Manifold B5		BSP -04 Banjo		601136	601121	385 bar	EN 857 2SC			
647763	R. Manifold S1 DR5		BSP -06 90		601161	601121	3/8"	615072			
	L. Manifold DR		BSP -06 Str.		601151	601121	385 bar	EN 857 2SC			

**Hose kit Log Max 7000XTFixedHead**Language **en****General Hose Kit**Part No. **645363/470056**From Head no. **470056**

V. 221025

Crimp. = Crimp diameter | cyl. = cylinder | Ex. = External | L. = Left | Lo. = Lower | Mani. = Manifold  
 Meas. Wheel = Measuring Wheel | No. = number | Pres. Rating = Pressure Rating | Red. = Reducer | R. = Right  
 SBR = Saw Bar Rescue | Str. = Straight | Stump treatm. = Stump treatment | Tot. = Total | U. = Upper | WEOPi = WEO Plug-In

Hose no.	Connections		Fittings		Ferrules Part no.	Length Total Cut	Hose type			Note	
	Connection 1	Connection 2	Fitting 1	Fitting 2			Part no.	Size	Pres. Rating		Standard
			Part no.								
647728	R. Manifold S1 PR		BSP -08 Str.		601152	311 mm	1/2"	615073			
	L. Manifold P3		BSP -08 Banjo		601184	260 mm	345 bar	EN 857 2SC			
647729	R. Manifold S1 TR		BSP -08 Str.		601152	321 mm	1/2"	615073			
	L. Manifold T3		BSP -08 Banjo		601184	270 mm	345 bar	EN 857 2SC			
645450	R. Manifold S1 Psaw		BSP -12 90		601372	456 mm	3/4"	615074	180°		
	Saw motor valve P		BSP -12 90		601372	400 mm	280 bar	EN 857 2SC			
647731	R. Manifold S2 A		BSP -12 90		601372	685 mm	3/4"	615005			
	R. Rollier motor A		BSP -12 Str.		601153	630 mm	375 bar	EN 857 2SC			
647732	R. Manifold S2 B		BSP -12 90		601372	675 mm	3/4"	615005			
	R. Rollier motor B		BSP -12 Str.		601153	620 mm	375 bar	EN 857 2SC			
647733	R. Manifold S3 A		BSP -12 90		601372	1235 mm	3/4"	615005			
	L. Rollier motor B		BSP -12 Str.		601153	1180 mm	375 bar	EN 857 2SC			
647734	R. Manifold S3 B		BSP -12 90		601372	1345 mm	3/4"	615005			
	L. Rollier motor A		BSP -12 Str.		601153	1290 mm	375 bar	EN 857 2SC			

**Hose kit Log Max 7000XTFixedHead**

**Rotator control**

From Head no. 470021

Language en

Part No. 645487/470021

V. 221025

Crimp. = Crimp diameter | cyl. = cylinder | Ex. = External | L. = Left | Lo. = Lower | Mani. = Manifold  
 Meas. Wheel = Measuring Wheel | No. = number | Pres. Rating = Pressure Rating | Red. = Reducer | R. = Right  
 SBR = Saw Bar Rescue | Str. = Straight | Stump treatm. = Stump treatment | Tot. = Total | U. = Upper | WEOPI = WEO Plug-In

Hose no.	Connections		Fittings		Ferrules	Length	Hose type			Note		
	Connection 1	Connection 2	Fitting 1	Fitting 2			Part no.	Size	Pres. Rating		Part no.	Standard
615050	Hose guard					Cut	330 mm	1"				
645477	Bracket frame R.		BSP -02 Str.		601539	Total	250 mm	1/4"	615091			
	T-adapter R.		BSP -02 Str.		601539	Cut	250 mm	290 bar	EN 857 1SC			
645478	Bracket frame L.		BSP -02 Str.		601539	Total	250 mm	1/4"	615091			
	T-adapter L.		BSP -02 Str.		601539	Cut	250 mm	290 bar	EN 857 1SC			
645481	T-adapter L.		BSP -02 Str.		601539	Total	370 mm	1/4"	615091			
	L. Upper		BSP -02 Banjo		601539	Cut	370 mm	290 bar	EN 857 1SC			
645482	T-adapter L.		BSP -02 Str.		601539	Total	200 mm	1/4"	615091			
	R. Lower		BSP -02 Banjo		601539	Cut	200 mm	290 bar	EN 857 1SC			
645488	T-adapter R.		BSP -02 Str.		601539	Total	480 mm	1/4"	615091			
	R. Upper		BSP -02 Banjo		601539	Cut	480 mm	290 bar	EN 857 1SC			
645489	T-adapter R.		BSP -02 Str.		601539	Total	70 mm	1/4"	615091			
	L. Lower		BSP -02 Banjo		601539	Cut	70 mm	290 bar	EN 857 1SC			
645486	R. Manifold S1 DR3		BSP -06 Banjo		601125	Total	1623 mm	1/4"	615071			
	Rotator D		BSP -04 Banjo		601125	Cut	1570 mm	450 bar	EN 857 2SC			
645483	Accumulator		BSP -06 90		601121	Total	252 mm	3/8"	615072			
	Rotator Gear housing		BSP -06 90		601121	Cut	210 mm	385 bar	EN 857 2SC			
645484	R. Manifold S6 A		BSP -06 90		601121	Total	1893 mm	3/8"	615072			
	Rotator A		BSP -06 45		601121	Cut	1820 mm	385 bar	EN 857 2SC			
645485	R. Manifold S6 B		BSP -06 90		601121	Total	1863 mm	3/8"	615072			
	Rotator B		BSP -06 45		601121	Cut	1800 mm	385 bar	EN 857 2SC			

**Hose kit Log Max 7000XTFixedHead**Language **en****Top saw**Part No. **647701/470037**From Head no. **470037**

V. 221025

Crimp. = Crimp diameter | cyl. = cylinder | Ex. = External | L. = Left | Lo. = Lower | Mani. = Manifold  
 Meas. Wheel = Measuring Wheel | No. = number | Pres. Rating = Pressure Rating | Red. = Reducer | R. = Right  
 SBR = Saw Bar Rescue | Str. = Straight | Stump treatm. = Stump treatment | Tot. = Total | U. = Upper | WEOPi = WEO Plug-In

Hose no.	Connections		Fittings		Ferrules Part no.	Length Total Cut	Hose type			Note
	Connection 1	Connection 2	Fitting 1	Part no.			Size	Pres. Rating	Part no. Standard	
			Fitting 2	Part no.						
645473	Distribution mani. 3	Top saw unit	BSP -02 45	601530	601539	2400 mm	1/4"	615091		
			BSP -04 Banjo	601149	601539	2330 mm	290 bar	EN 857 1SC		
647754	Top saw manifold A	Saw bar feed cyl. A	BSP -04 Str.	601150	601125	294 mm	1/4"	615071		
			BSP -04 45	601175	601125	235 mm	450 bar	EN 857 2SC		
647755	Top saw manifold B	Saw bar feed cyl. B	BSP -04 Str.	601150	601125	514 mm	1/4"	615071		
			BSP -04 45	601175	601125	455 mm	450 bar	EN 857 2SC		
645461	Protective hose	Top saw	BSP -06 Str.	601151	601121	520 mm	3/8"	615072	Crimp. 22	
			BSP -06 Str.	601151	601121	480 mm	385 bar	EN 857 2SC		
647764	Saw motor DR	R. Manifold S1 DR5	BSP -06 90	601171	601121	860 mm	3/8"	615072	45°	
			BSP -06 Str.	601151	601121	810 mm	385 bar	EN 857 2SC		
647749	R. Manifold S8 P2	Saw motor A	BSP -08 90	601162	601122	700 mm	1/2"	615073	270°	
			BSP -08 90	601172	601122	635 mm	345 bar	EN 857 2SC		
647753	R. Manifold S8 P2	Top saw manifold P	BSP -08 Str.	601152	601122	359 mm	1/2"	615073		
			BSP -08 Str.	601152	601122	320 mm	345 bar	EN 857 2SC		
647756	Saw motor B	Top saw manifold SR	BSP -08 90	601172	601122	1220 mm	1/2"	615073	300°	
			BSP -08 90	601172	601122	1170 mm	345 bar	EN 857 2SC		
647757	Top saw manifold T	R. Manifold S8 T2	BSP -08 90	601172	601122	1124 mm	1/2"	615073		
			BSP -08 90	601172	601122	1080 mm	345 bar	EN 857 2SC		

**Hose kit Log Max 7000XTFixedHead**

**MS11**

From Head no. 470006

Language en

Part No. 647702/470006

V. 221025

Crimp. = Crimp diameter | cyl. = cylinder | Ex. = External | L. = Left | Lo. = Lower | Mani. = Manifold

Meas. Wheel = Measuring Wheel | No. = number | Pres. Rating = Pressure Rating | Red. = Reducer | R. = Right

SBR = Saw Bar Rescue | Str. = Straight | Stump treatm. = Stump treatment | Tot. = Total | U. = Upper | WEOPI = WEO Plug-In

Hose no.	Connections		Fittings		Ferrules	Length	Hose type			Note		
	Connection 1	Connection 2	Fitting 1	Fitting 2			Part no.	Total	Size		Part no.	
											Pres. Rating	Standard
647735	R. Manifold S1 DR1		BSP -06 Str.		601151	601121	631 mm	3/8"	615072			
	R. Roller motor 1		BSP -06 90		601171	601121	590 mm	385 bar	EN 857 2SC			
647736	R. Manifold S1 DR2		BSP -06 45		601176	601121	1153 mm	3/8"	615072			
	L. Roller motor 1		BSP -06 90		601171	601121	1090 mm	385 bar	EN 857 2SC			
647741	R. Manifold S2 A		BSP -12 90		601372	601371	796 mm	3/4"	615005	180°		
	R. Roller motor R		BSP -12 90		601372	601371	740 mm	375 bar	EN 857 2SC			
647742	R. Manifold S2 B		BSP -12 90		601372	601371	786 mm	3/4"	615005	190°		
	R. Roller motor L		BSP -12 90		601372	601371	730 mm	375 bar	EN 857 2SC			
647743	R. Manifold S3 A		BSP -12 90		601372	601371	1346 mm	3/4"	615005	180°		
	L. Roller motor L		BSP -12 90		601372	601371	1290 mm	375 bar	EN 857 2SC			
647744	R. Manifold S3 B		BSP -12 90		601372	601371	1446 mm	3/4"	615005	270°		
	L. Roller motor R		BSP -12 90		601372	601371	1390 mm	375 bar	EN 857 2SC			
615051	Hose guard						700 mm	2"				
615051	L. Roller motor											
	Hose guard						700 mm	2"				
	R. Roller motor											

**Hose kit Log Max 7000XTFixedHead**

Language **en**

**Hydraulic upper knife**

Part No. **647704/470001**

From Head no. 470001

V. 221025

Crimp. = Crimp diameter | cyl. = cylinder | Ex. = External | L. = Left | Lo. = Lower | Mani. = Manifold  
 Meas. Wheel = Measuring Wheel | No. = number | Pres. Rating = Pressure Rating | Red. = Reducer | R. = Right  
 SBR = Saw Bar Rescue | Str. = Straight | Stump treatm. = Stump treatment | Tot. = Total | U. = Upper | WEOPI = WEO Plug-In

Hose no.	Connections		Fittings		Ferrules	Length	Hose type			Note	
	Connection 1	Connection 2	Fitting 1	Part no.			Total	Size	Part no.		Standard
			Fitting 2								
647747	L. Manifold T4		BSP -04 Banjo	601149	601539	823 mm	1/4"	615091			
	U. knife Cyl. A		BSP -04 Banjo	601149	601539	770 mm	290 bar	EN 857 1SC			
647748	L. Manifold A		BSP -04 Banjo	601149	601539	823 mm	1/4"	615091			
	U. knife Cyl. B		BSP -04 Banjo	601149	601539	770 mm	290 bar	EN 857 1SC			

**Hose kit Log Max 7000XTFixedHead**

**Saw 411 XI**

From Head no. 470037

Language en

Part No. 647705/470037

V. 221025

Crimp. = Crimp diameter | cyl. = cylinder | Ex. = External | L. = Left | Lo. = Lower | Mani. = Manifold  
 Meas. Wheel = Measuring Wheel | No. = number | Pres. Rating = Pressure Rating | Red. = Reducer | R. = Right  
 SBR = Saw Bar Rescue | Str. = Straight | Stump treatm. = Stump treatment | Tot. = Total | U. = Upper | WEOPI = WEO Plug-In

Hose no.	Connections		Fittings		Ferrules	Length	Hose type			Note
	Connection 1	Connection 2	Fitting 1	Fitting 2			Part no.	Size	Pres. Rating	
645472	Distribution mani. 1	BSP -02 Banjo	601531	601539	418 mm	1/4"	615091	418 mm	EN 857 1SC	
645431	L. Manifold B1	BSP -04 Banjo	601170	601125	2074 mm	1/4"	615071	2074 mm	EN 857 2SC	
645448	Restrictor check valve	BSP -04 Str.	601150	601125	1795 mm	1/4"	615071	1795 mm	EN 857 2SC	
645466	R. Manifold S1 DR3	BSP -06 Banjo	601148	601121	1958 mm	3/8"	615072	1958 mm	EN 857 2SC	
645429	R. Manifold S1 T4	BSP -12 Str.	601153	601123	1955 mm	3/4"	615074	1955 mm	EN 857 2SC	
645451	Saw motor valve SP	BSP -12 90	601372	601123	1394 mm	3/4"	615074	1394 mm	EN 857 2SC	



**Hose kit Log Max 7000XTFixedHead**

Language **en**

**Miscellaneous hoses**

Part No. **647719/XXXXXX**

From Head no. **XXXXXX**

V. 221025

Crimp. = Crimp diameter | cyl. = cylinder | Ex. = External | L. = Left | Lo. = Lower | Mani. = Manifold  
 Meas. Wheel = Measuring Wheel | No. = number | Pres. Rating = Pressure Rating | Red. = Reducer | R. = Right  
 SBR = Saw Bar Rescue | Str. = Straight | Stump treatm. = Stump treatment | Tot. = Total | U. = Upper | WEOPI = WEO Plug-In

Hose no.	Connections		Fittings		Ferrules	Length	Hose type			Note	
	Connection 1	Connection 2	Fitting 1	Part no.			Size	Pres. Rating	Part no.		Standard
			Fitting 2	Part no.							
645436	R. Manifold S1 DR3		BSP -06 90	601171	601121	2152 mm	3/8"	615072	615072	418 without IMO	
	Saw motor D		BSP -06 90	601161	601121	2100 mm	385 bar	EN 857 2SC	EN 857 2SC		
645449	Protective hose		BSP -06 Str.	601151	601121		3/8"	615072	615072		
	Find End				601121	380 mm	385 bar	EN 857 2SC	EN 857 2SC		
645452	R. Manifold S1 DR3		BSP -06 Banjo	601148	601121	1945 mm	3/8"	615072	615072	411 XL	
	Saw motor D		BSP -06 90	601171	601121	1900 mm	385 bar	EN 857 2SC	EN 857 2SC		
645471	Super Greasy		BSP -04 Banjo	601532	601539	1550 mm	1/4"	615091	615091	Saw?	
	Distribution mani. 2		BSP -02 45	601530	601539	1550 mm	290 bar	EN 857 1SC	EN 857 1SC		
647745	Protective hose		M 20 Str. Ex.	601551	601121	900 mm	3/8"	615072	615072	Find End, Laser	
	Find End				601121	870 mm	385 bar	EN 857 2SC	EN 857 2SC		



***Log Max***

**7000XT Fixed Head**

Spare part  
manual

470062-

en

***Log Max***

**7000XT Fixed Head**

Spare part  
manual

470062-

en

***Log Max***

**7000XT Fixed Head**

Spare part  
manual

470062-

en

***Log Max***

**7000XT Fixed Head**

Spare part  
manual

470062-

en

***Log Max***

**7000XT Fixed Head**

Spare part  
manual

470062-

en

***Log Max***

**7000XT Fixed Head**

Spare part  
manual

470062-

en

***Log Max***

**7000XT Fixed Head**

Spare part  
manual

470062-

en