

Log Max **4000T**

User Manual



www.logmax.com

[en] 1.7

User Manual in Original



Stationsvägen 12 - 77013 Grangärde - Sweden Tel. +46 240 59 11 00 info@logmax.com

Table of contents

Foreword	11
About this manual	11
Copyright	11
Comments and suggestions	11
Definitions	12
Safety	13
General	13
Warnings and symbols	13
Safety stickers	14
Head	14
Carrier	14
Knowledge requirements	15
Protective equipment	15
Area of use	15
Risk zone	15
Chain shot	16
Crushing risk	17
Pressurised and hot liquids	17
Explosion risk	18
Modifications	18
Maintenance of the carrier	18
Information about warranties and complaints	19
Complaints	19
Installation instructions	21
Demands placed on the machine owner	21
Demands placed on the carrier	21
Function and design	23
Head overview	23
Rating plate	24
Frame and protective cover	24
Frame	24
Upper wear plate	24
Lower wear plate	24
Protective cover	25
Fixed and damped protective plates	25
Delimiting unit	26

Upper delimiting knife	26
Active Friction Control™ (AFC)	26
Right and left delimiting knives	27
Lower delimiting knife	27
Fixed delimiting knife	27
Feeding unit	27
Diameter measurement unit	28
Two-point measurement	29
Four-point measurement	29
Length measurement unit	29
Length measurement with measuring wheel	30
Length measurement with feed roller	30
Felling link	30
Saw unit	31
Saw 218	33
Saw 218 True-Cut	33
Saw 318	35
Saw 318 True-Cut	36
Saw chain lubrication, Easy Greasy	36
Grease lubrication	36
Rotator	37
Extra equipment	37
Multi-tree handling	37
Colour marking equipment	38
Find End (Root search)	39
Snow cover	39
Sawdust guard	39
Stump treatment	39
Handling	41
Transport of unattached head	41
Transport of head mounted on the carrier	42
Storage	42
Prior to storage	42
During storage	43
After storage	43
Scrapping and recycling	44
Handling	45
Starting up the head	45

Felling work	46
Planning	47
Felling	47
Double cutting	48
Processing and sorting	48
Thick branches	49
Forks	49
Parking on completion of the work	50
Unforeseen operational stoppages	50
Inspections and maintenance	53
Parking the head prior to inspections and maintenance	55
Parking in the tilted up position	55
Parking in the tilted down position	56
Rough cleaning	56
Inspecting the head	56
Make sure that the head does not have any cracks	56
Inspecting stop buffers	57
Inspecting fixed or damped protective plate	57
Inspecting damped protective plate	57
Inspecting fixed protective plate	57
Inspecting electrical wiring	58
Inspecting wear plates	58
Upper wear plate	58
Lower wear plate	58
Inspecting and adjusting the protective cover and over-centre latches	58
Shafts for felling link, feed roller arms and delimiting knives	59
Inspecting Log Max's standard shafts	59
Inspecting axial play	60
Delimiting unit	60
Delimiting knives' edges	60
Upper delimiting knife	61
Right and left delimiting knives	61
Lower delimiting knife	62
Fixed delimiting knife	62
Upper delimiting knife's spring and its preload	62
Replacement of the upper delimiting knife's spring	63

Basic setting and adjustment of upper delimiting knife sensor	64
Active Friction Control™ (AFC)	64
Checking and adjusting the upper delimiting knife's screw and nut in the groove	65
Feeding unit	65
Inspecting feed rollers	65
Tightening feed roller nuts	65
Replacement of feed rollers	66
Removing feed rollers	66
Installing feed rollers	66
Checking the tightening of screws for feed roller motors	66
Diameter measurement unit	67
Four-point measurement	67
Length measurement unit	68
Inspecting the length measurement unit	68
Replacing measuring wheel tracks	69
Checking the length measurement sensor in the feed roller	70
Saw unit	70
Inspecting chain shot guard	71
Fill with saw chain oil	71
Checking saw chain lubrication	72
Inspecting saw chain	72
Inspecting saw bar	72
Inspection of saw chain sprocket and saw chain catcher	73
Replace saw chain sprocket and saw chain catcher	73
Checking the stop screw	74
Replacing the stop screw	74
Saw 218	75
Tension saw chain	75
Check the saw chain tension.	75
Replace saw chain	76
Replace saw bar	77
Saw 318	78
Tension saw chain	78
Replace saw chain	78
Replace saw bar	79
Cleaning behind the bar holder	79
Hydraulic system	80

Replacing the hydraulic hose	80
Hydraulic hose with ORFS couplings	81
Hydraulic hose with BSP couplings	81
Hydraulic hose with banjo coupling	82
Hydraulic hose with JIC coupling	83
Hydraulic hose with WEO coupling	84
Inspection and replacement of accumulators	85
Pressure check	86
Inspection and adjustment of the pressure setting	86
Pressure settings	87
Special Instructions	88
Setting the main pressure	89
Checking servo pressure	89
Checking the function connected to “PL”	89
Setting the bar feed pressure	89
Adjusting the feed roller arm pressure	89
Check of saw chain tension pressure	89
Rotator	89
Circulating hydraulic oil in the rotator	89
Retightening of the rotator’s clamp and locking screw	90
Cleaning the rotator’s magnetic plug	90
Extra equipment	90
Multi-tree handling	90
Colour marking equipment	91
Topping up with marking dye	91
Cleaning non-return valve in tank filler cap	91
Inspecting the colour marking pump	91
Cleaning the colour marking system	92
In the event of long breaks (several weeks)	92
Find End	92
Snow cover	93
Sawdust guard	93
Repair welding	93
Maintenance schedule	96
Lubrication schedule, 8 h	96
Maintenance schedule, 8 h	97
Maintenance schedule, 50 h	98
Maintenance schedule, 250 h	99

Maintenance schedule, 1,000 h	100
Service information	101
Troubleshooting	103
Technical data	105
Dimensions and weight	105
Dimensions and basic weight.	105
Weight of extra equipment	106
Noise level	106
Temperature	106
Hydraulics	107
Hydraulic oil requirements	107
General recommendations	107
Minimum requirements for saw unit with True-Cut (all feed roller motors)	107
Minimum requirements for saw unit without True-Cut (all feed roller motors)	107
Saw chain speed	107
Lubricant	108
Requirements regarding saw chain oil	108
Lubricating grease	108
General tightening torques	109
General tightening torques with Nord-Lock washers	110

Foreword

About this manual

This manual is for the Log Max 4000T grapple harvester.

The manual provides information about how the harvester head (subsequently referred to simply as the “head”) works, is maintained and is used safely. Before starting to use the head, carefully study the manual.

The manual principally covers the basic mechanical and hydraulic design, function, operation and maintenance of the head. The demands placed on and the functionality of the head’s electrical control system are only covered in general terms.

Note!

Your head is not necessarily fitted with all the equipment described in this manual.

For complete information about the control system installed in your head, refer to the manual for the control system in question.

Always store the manual in the carrier’s cab or in close proximity to the location where the work is being carried out, as the need for essential information regarding use, safety and maintenance may arise at any time.

Note!

If the manual is lost, a new one should be procured immediately. The manual can be ordered from your dealer.

All information, including text, illustrations and specifications, is based on the product information that was available when the manual was created.

The illustrations contained in this manual are occasionally representative examples, and are not therefore always exact depictions of the head and its components.

Copyright

Only Log Max AB owns full copyright to this manual and its contents. It is prohibited to copy or distribute all or part of this manual in any way without the written consent of Log Max AB.

Comments and suggestions

Please leave your comments and suggestions regarding the manual. Write down anything that should be changed and send it to manual@logmax.com.

Note!

To avoid any misunderstanding, it is safest to submit comments and suggestions in English or Swedish.

Definitions

Below are a summary and explanation of specific expressions that are used in this manual and that are not explained elsewhere.

Expressions	Explanation
Head	The machine to which this manual applies. Can also be referred to as a grapple harvester, harvester unit, harvester head.
Carrier	The machine on which the head is mounted. Can also be referred to as a carrier, tractor, transport vehicle.
Operating hours (h)	Engine hours calculated by the carrier's hour counter. Abbreviated to "h" in certain contexts.
h	See "Operating Hours".
Hot work	Service work where a lot of heat is generated, such as repair welding.
Counter-chamfer	The chamfer of the delimiting knife's edge that is closest to the stem.
DBH	Diameter at breast height. The tree's stem diameter 130 cm from ground level.

Safety

General

Incorrect use of the head can result in serious injuries to the operator as well as serious damage to the head and the surroundings. It is therefore important to read, understand and follow the instructions in this manual before starting to use the head.

If the provisions in this manual deviate from local laws and regulations, you are obligated to comply with local laws and regulations.

Warnings and symbols

The following warnings and symbols are used in this manual to alert you to risks that could result in personal injury or death.



Danger!

Danger indicates that an accident could occur if the regulation is not followed. Such an accident could result in permanent loss of capacity to work or to death.



Warning!

Warning indicates that an accident could occur if the regulation is not followed. Such an accident could result in serious personal injury.



Caution!

Caution indicates that an accident could occur if the regulation is not followed. Such an accident could result in personal injury.

The following warning is used in this manual to alert you to risks that could result in material damage.

Important!

Important indicates that an accident could occur if the regulation is not followed. Such an accident could result in material damage.

Additional information is highlighted as shown below.

Note!

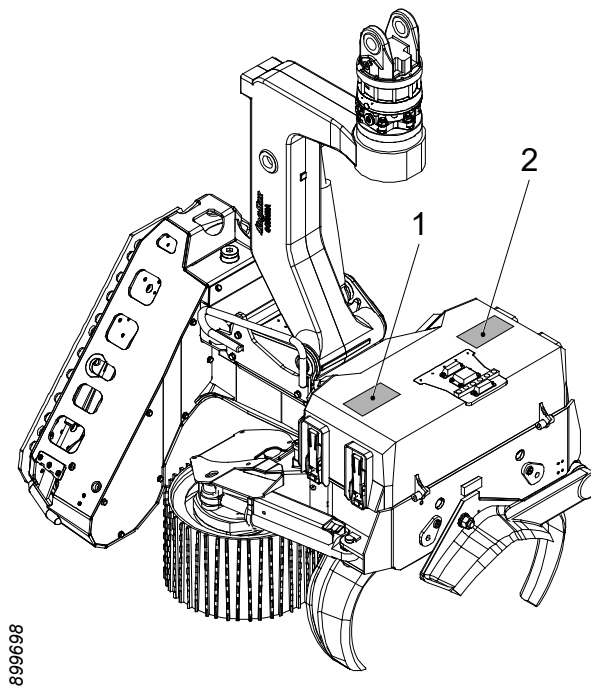
Clarifies information that is important for understanding or executing operations.

Safety stickers

Safety stickers must be clearly visible, legible and complete. If a sticker is damaged or missing, it must be replaced. Safety stickers can be ordered from your dealer.

Head

The head is equipped with safety stickers that warn about circumstances that could result in serious injury or death. The safety stickers have a yellow background.



The following safety stickers are affixed to the head:

1. Warning about chain shots
2. Warning of crushing risk

Carrier

The carrier's crane must be supplied with safety stickers indicated a risk zone of at least 90 metres.

Knowledge requirements

All work using the head may only be carried out by individuals possessing the requisite knowledge about the work that is to be carried out. This applies in particular, although not solely, to:

- handling and transport.
- installation on the carrier.
- normal use.
- maintenance.
- service.

Requisite knowledge refers to the knowledge that is required to carry out the work correctly and safely.

Protective equipment

Use the protective equipment that is necessary for the work that is to be carried out, for example: helmet, safety shoes, gloves, ear defenders, safety goggles.

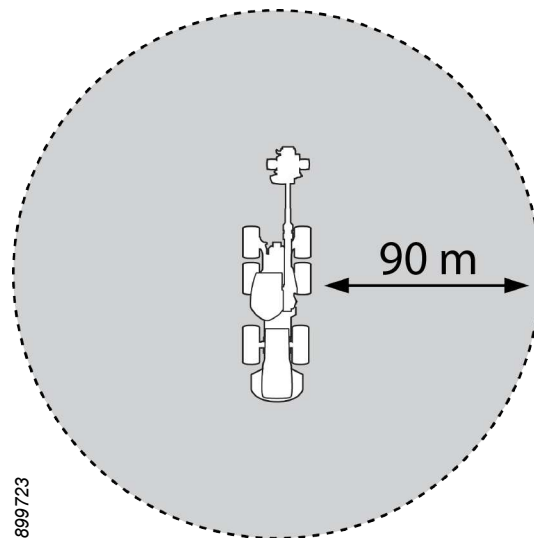
Area of use

The head is intended solely for logging work, where the head fells and processes trees. Any other use is prohibited. Examples of prohibited use include:

- towing machinery.
- handling loads other than trees.

Risk zone

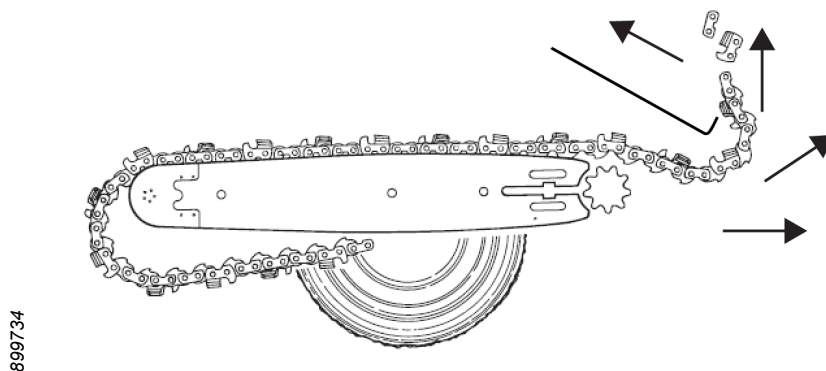
When the head is used for felling and processing trees, a safety distance of at least 90 metres must be observed by anyone who is outside of the carrier's cab.



The operator is obliged to stop work immediately if someone is within the risk zone.

Chain shot

When a saw chain breaks, parts of the saw chain can be thrown out at high speeds. If saw chain breaks with a whiplash, the speed of these parts may be several times higher than the speed of the saw chain.



Danger!

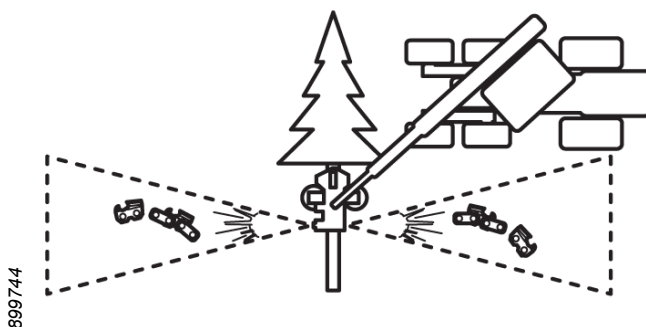
Chain shots are associated with danger to life! The energy in the event of chain shot can be equivalent to that of a bullet from a rifle.

It is therefore essential to follow the instructions regarding the use of the head and maintenance of the saw unit.



Danger!

In the event of chain shots, parts of the saw chain can travel outside of the head's risk zone.



899744

When activating the saw unit, the head must be positioned so that there is no risk of chain shots hitting:

- the carrier's cab.
- people outside the risk zone.
- other machines.
- other property.

The head is equipped with a chain shot guard. The guard is integrated into the head's frame. Under no circumstances may the guard be modified. Do not use the head if the guard has been damaged or its function has otherwise been impaired.

Crushing risk

A crushing risk exists by the head's moving parts. Follow the instructions in this manual in connection with inspection and maintenance work.

Pressurised and hot liquids

The head works with liquids under high pressure that can reach high temperatures. A risk of cuts and burns exists in the event of leaks. Follow the instructions in this manual in connection with inspection and maintenance work.

Explosion risk

The head is equipped with closed areas that may contain flammable liquids. An explosion risk exists in the event of hot work in the vicinity of these areas.

The head's hydraulic system is equipped with accumulators. These are filled with gas under high pressure. If an accumulator fails, the gas can be released explosively.

Follow the instructions in this manual in connection with inspection and maintenance work.

Modifications

Any modifications of the head must be approved by Log Max AB. Retrofitting of additional equipment must be carried out by technicians possessing the requisite knowledge about the head and the additional equipment.

Maintenance of the carrier

Follow all instructions regarding the maintenance and use of the carrier contained in its manual.

Keep the carrier's cab tidy and the windows clean.

The carrier's doors and windows must be kept closed when the head is in operation.

Information about warranties and complaints

The head may be covered by various warranties. The warranty conditions that apply must have been procured at the time of the sale of the head, and can be seen from the sales contract.

In order for a warranty to be valid:

- operation and maintenance of the head must take place in accordance with this manual.
- installation of the head must be performed correctly according to the installation instructions supplied by Log Max AB.
- the warranty card must be correctly filled in and sent to Log Max AB within the time period specified on the warranty card.

Note!

The installation of equipment on the head that has not been approved by Log Max AB may invalidate all or part of head's warranty.

Log Max AB accepts no responsibility for consequential damage resulting from unauthorised equipment.

Complaints

If a component on the head, which is not a consumable part, breaks down within the warranty period, a claim should be submitted. The claim regarding the component must be submitted to the dealer for the head or the dealer for the component.

Claims are lodged by submitting a correctly filled out claim report to the dealer.

Installation instructions

Installation instructions will accompany the head on delivery. Contact Log Max AB if the installation instructions are missing.

Installation, start-up checks and delivery service on heads may only be carried out by technicians possessing the requisite knowledge.

Demands placed on the machine owner

The machine owner is obliged to ensure compliance with applicable safety regulations for the complete machine in accordance with EU Machinery Directive 2006/42/EC, 2014/30/EU and the current edition of ISO 11850.

Demands placed on the carrier

In order for a head to be installed on a carrier, the carrier must satisfy the requirements in the current version of ISO 11850.

ISO 11850 stipulates demands including, but not limited to:

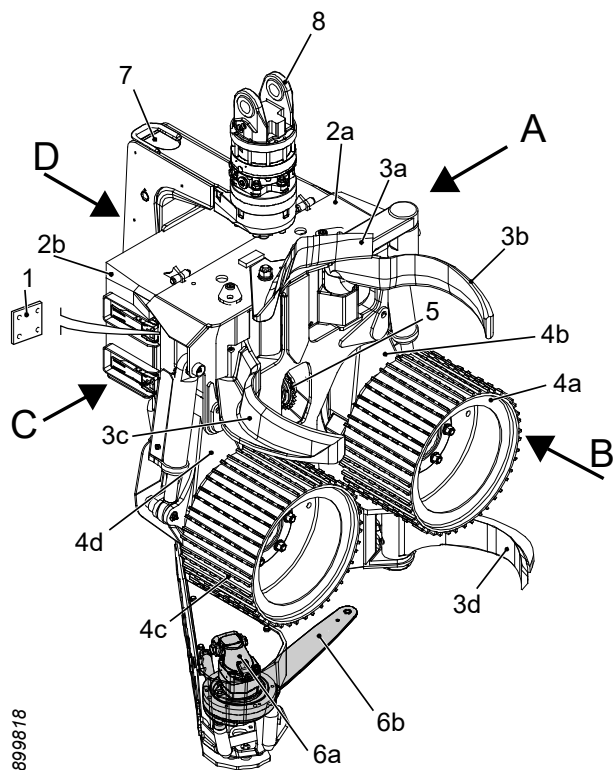
- the operator's seat must be protected against penetrating objects, including chain shots (OPS).
- the operator's seat is protected against falling objects (FOPS).
- the operator's seat is protected against rolling/tipping the machine (ROPS).
- the carrier is equipped with safety switches and emergency stops in appropriate locations.
- the combination of the carrier and the head is stable, see the table below.

Recommended weight		
 907119	 907125	 907122
Head model	Harvester	Excavator
Log Max 4000T	13–20 tonnes	13-18 tonnes

Note!

The table is only a recommendation. The size of the carrier that is required depends in part on carrier's design and crane length.

Function and design

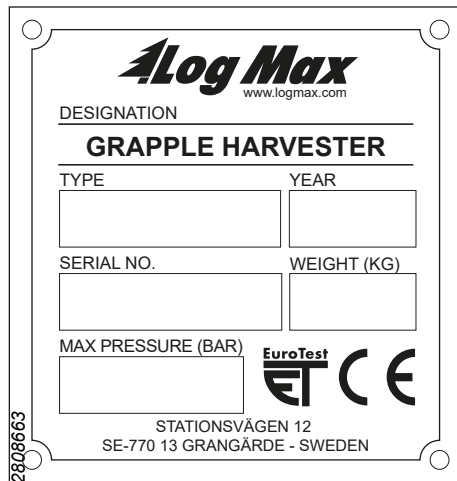


899818

Head overview

Below is an overview of the head's orientation and main components.

A	Left
B	Front
C	Right
D	Rear
1	Rating plate
2	Frame with protective cover
a	Frame
b	Protective cover
3	Delimiting unit
a	Upper delimiting knife
b	Left delimiting knife
c	Right delimiting knife
d	Lower delimiting knife
4	Feeding unit
a	Left feed roller
b	Left feed roller arm
c	Right feed roller
d	Right feed roller arm
5	Length measurement unit
6	Saw unit
a	Saw motor
b	Saw bar and saw chain
7	Felling link
8	Rotator



Rating plate

The head's rating plate is located under the protective cover on the right side of the head.

DESIGNATION =	Machine type
TYPE =	Head model
YEAR =	Year of manufacture
SERIAL NO. =	Serial number
WEIGHT (KG) =	Basic weight
MAX PRESSURE (BAR) =	Maximum hydraulic pressure

The CE marking is affixed to heads that comply with the EU Machinery Directive 2006/42/EC.

Any ET marking means that an independent third party has verified that the head complies with the EU Machinery Directive 2006/42/EC.

Frame and protective cover

Frame

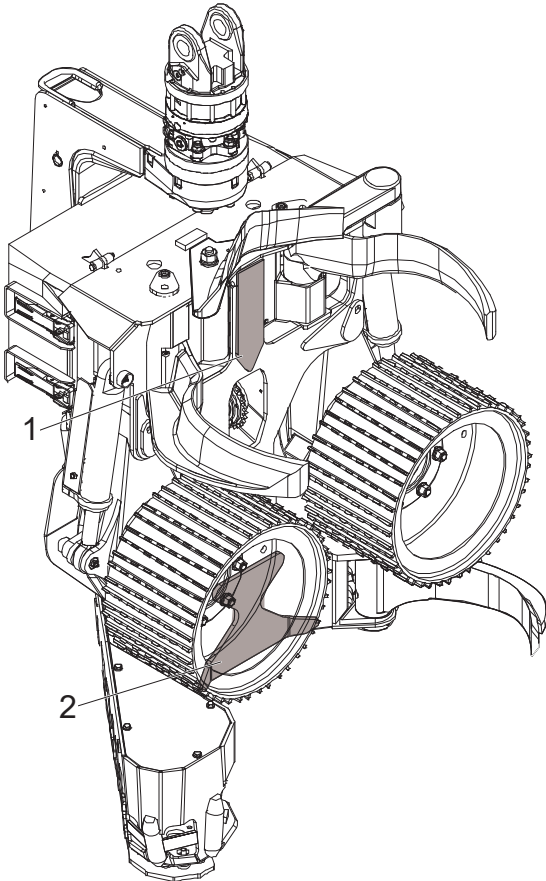
The frame has mounts for the head's other units and an integrated tank for saw chain oil.

Upper wear plate

The upper wear plate (1) is welded to the upper part of the frame. The wear plate protects the frame against wear damage.

Lower wear plate

The lower wear plate (2) is welded to the lower part of the frame. The wear plate protects the frame against wear damage. The lower wear plate also has an integrated fixed delimiting knife.



Protective cover

The protective cover on the upper part of the frame protects important components in the head's control electronics and valve assembly. The protective cover is attached to the frame with hinges and over-centre latches. The over-centre latches enable quick and easy opening and closing of the protective cover. The protective cover has adjustable stop screws to ensure that the protective cover is tight against the frame.

Fixed and damped protective plates

There are two different protective plates that can be installed on the frame's bottom plate to protect the frame against impacts.

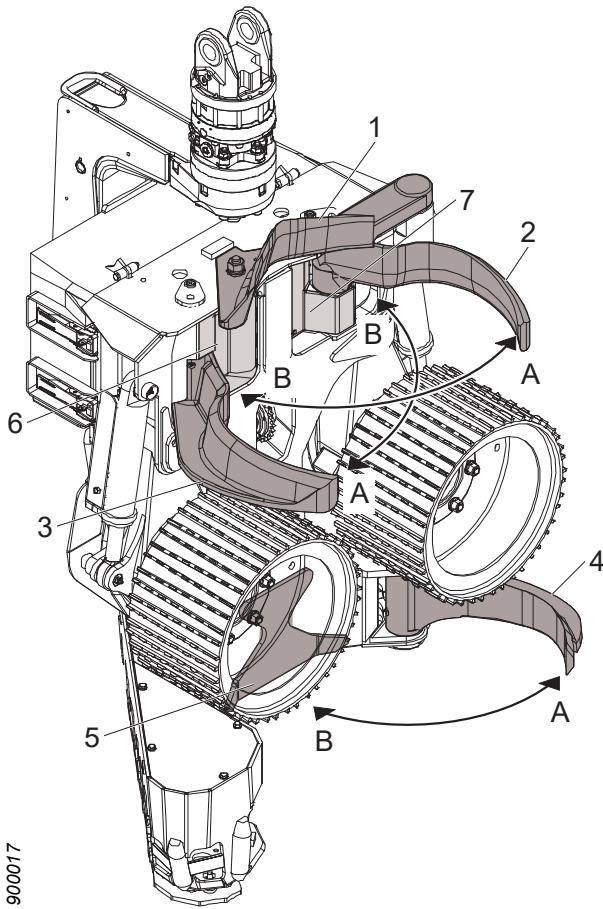
The fixed protective plate is installed directly on the frame's bottom plate.

The damped protective plate is installed with rubber springs between the protective plate and the frame's bottom plate.

Delimiting unit

The task of the delimiting unit is to cut the branches off the stem and hold the stem as it is fed through the head.

The delimiting unit is equipped with one fixed and four movable delimiting knives.



1. Upper delimiting knife
2. Left delimiting knife
3. Right delimiting knife
4. Lower delimiting knife
5. Fixed delimiting knife
6. Right protective plate
7. Left protective plate

- A Open
B Close

Upper delimiting knife

The upper delimiting knife is spring-loaded so that it remains in contact with the stem. A sensor detects the position of the upper delimiting knife. In this way, the head's control system is able to measure the distance of the stem from the frame, i.e. the "stem position".

By opening and closing the other movable delimiting knives using the signal from the sensor, the head's control system can regulate the stem position.

Active Friction Control™ (AFC)

When the head is equipped with AFC, the desired stem position is set directly in the head's control system.

Right and left delimiting knives

The right and left delimiting knives are controlled by separate hydraulic cylinders, which in turn are controlled by a shared valve. The delimiting knives can close, open or stop in any position.

Lower delimiting knife

The lower delimiting knife is controlled by a hydraulic cylinder, which in turn is controlled by a valve.

There are two different variants of the lower delimiting knife – a standard delimiting knife and a lower delimiting knife readied for four-point measurement.

With a standard delimiting knife, the delimiting knife can open, close or stop in any position. With a delimiting knife readied for four-point measurement, the delimiting knife can open, close with full force or close with reduced force.

Fixed delimiting knife

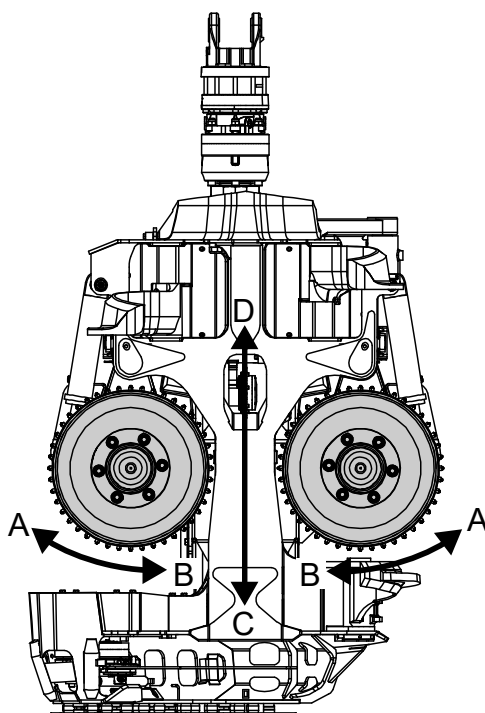
The fixed delimiting knife is integrated into the frame's lower wear plate and enables some delimiting when feeding backwards.

Feeding unit

The feeding unit's task is to feed the stem through the head. The feeding unit is equipped with two feed rollers mounted on separate hydraulic motors, which are also known as feed roller motors. The feed roller motors are mounted on the right and left feed roller arms.

- A Open
- B Close
- C The stem's direction of travel when being fed forwards
- D The stem's direction of travel when being fed backwards

The feed roller motors are controlled by a shared valve. The feed roller motors can be controlled so that the feed rollers feed the stem forwards, backwards or stop in any position.



900016

The feed roller arms are controlled by separate hydraulic cylinders, which in turn are controlled by a shared valve. The feed roller arms can close or open.

The hydraulic circuit for closing the feed roller arms is equipped with an accumulator. The task of the accumulator is to dampen pressure surges and guarantee the feed rollers' contact against the stem.

The feeding unit is designed so that the force of the feed rollers against the stem varies with the stem diameter, despite there being constant pressure in the hydraulic cylinders.

The movement of the feed roller arms is limited mechanically by the cylinders when the feed roller arms open, and against frame when the feed roller arms close. The frame is equipped with stop buffers to reduce the load on the feed roller arms and the frame.

Log Max AB provides three variants of feed rollers – V-steel Hard Grip, V-steel Soft Grip and Eucalyptus. All the variants are turned for good diameter measurement and the V-steel feed rollers are self-cleaning.

V-steel Soft Grip feed rollers are gentler with the logs than V-steel Hard Grip feed rollers. V-steel Hard Grip feed rollers allow greater penetration and consequently better grip. Eucalyptus feed rollers are designed to remove the bark from logs as they are fed through the head.

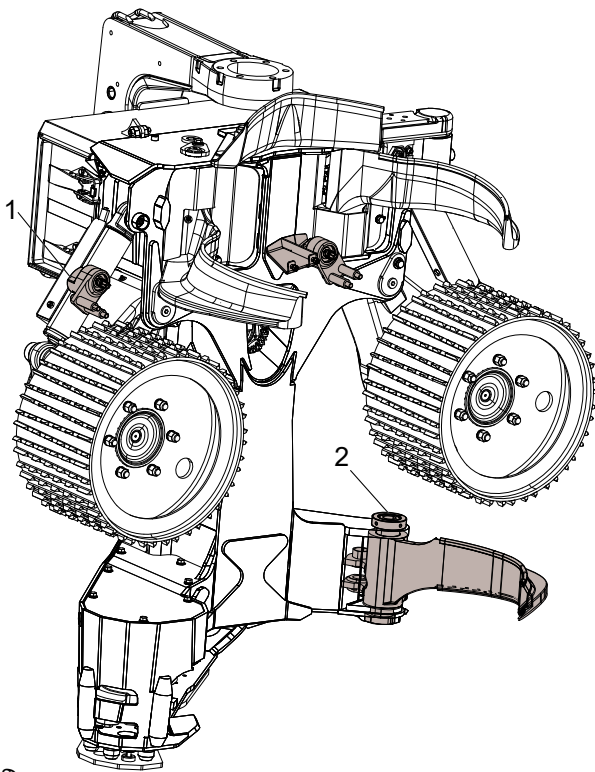
Diameter measurement unit

The head can be equipped with sensors to measure the diameter of the stem that is being fed through the head.

The head's control system calculates the stem diameter using the signals from the sensors.

There are two variants of diameter measurement – two-point and four-point measurement.

With the aid of length and diameter measurement, the head's control system can help the operator to divide up the tree into the timber dimensions that provide the best financial return.



2095299

Two-point measurement

Using two-point measurement, diameter measurement is performed mechanically via the feed rollers and the feed roller arms. The sensors for the diameter measurement are mounted on the feed roller arms and detect movement of the feed roller arms.

1. Sensors

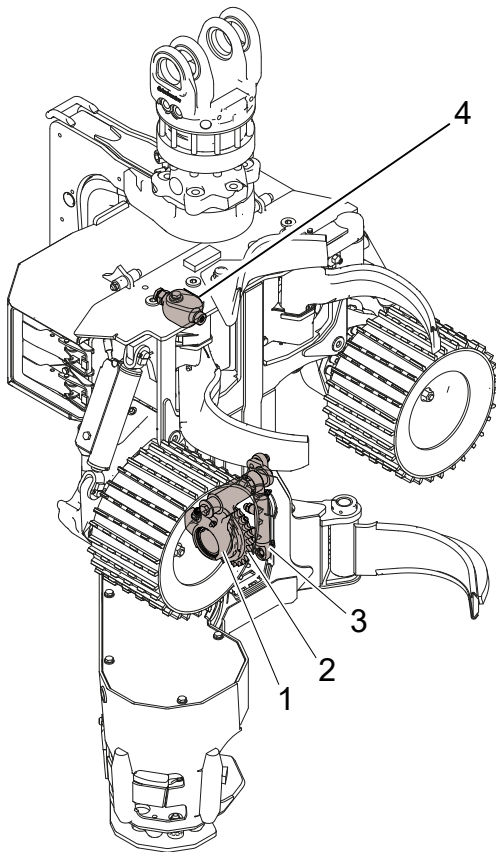
Four-point measurement

With four-point measurement, two-point measurement is complemented with a sensor mounted in the lower delimiting shaft that measures the position of the lower delimiting knife. By letting the lower delimiting knife hold the log against the frame, the log diameter is complemented with two additional measurement points.

2. Sensors

Length measurement unit

The task of the length measurement unit is to measure the length of the stem that is being fed through the head.



907463

Length measurement with measuring wheel

Length measurement is performed mechanically with a measuring wheel that follows the stem. A sensor detects the rotation of the measuring wheel. The head's control system calculates the stem length using the signal from the sensor.

The measurement wheel is mounted on a measurement wheel arm that is controlled by a hydraulic cylinder. The hydraulic cylinder is controlled by an electrically controlled valve.

The measurement wheel can be applied against the log or be drawn into the frame.

The hydraulic circuit for applying the measuring wheel is equipped with an accumulator. The task of the accumulator is to dampen pressure surges and guarantee the measuring wheel's contact against the stem.

1. Measuring wheel arm
2. Measuring wheel
3. Hydraulic cylinder
4. Accumulator

The measuring wheel is made up of a number of different measuring wheel tracks. There are a range of measuring wheel track variants for different conditions. Contact your dealer for more information.

Length measurement with feed roller

Length measurement is performed mechanically with the feed rollers. A sensor detects the rotation of the feed roller. The head's control system calculates the log length using the signal from the sensor.

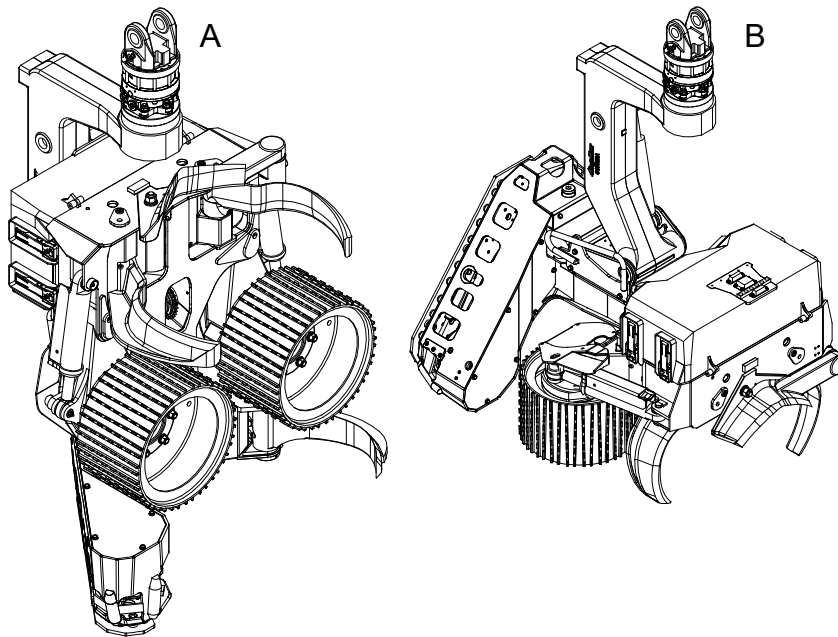
Felling link

The task of the felling link is to tilt the head.

The felling link is controlled by a hydraulic cylinder, which in turn is controlled by a valve.

The movement of the felling link is limited mechanically against the head's frame and protective cover. The frame and the protective cover are fitted with stop buffers to reduce the load on the felling link, the frame and the protective cover.

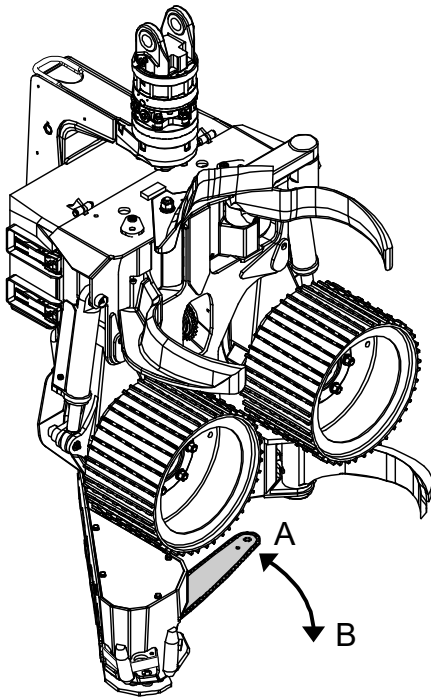
Using the felling link, the head can tilt down, tilt up or turn freely, "floating mode".



- A Tilted up
- B Tilted down

Saw unit

The task of the saw unit is to cut off the stem so that the tree can be felled and cut up into the desired lengths.



900408

The saw unit is equipped with a saw chain mounted on a saw bar.

The saw bar can be withdrawn into the frame or run out towards the stem. When the saw bar is in the frame, it is said to be “home”. Otherwise, the saw bar is said to be “out”.

The saw bar’s direction of movement in event of:

- A Home movement
- B Outward movement

The saw bar is mounted on a bar mount, which in turn is mounted on a bearing unit. The bearing unit allows the bar to be moved out and home. The saw bar’s movement is controlled by a hydraulic cylinder, the “bar feed cylinder”. The movement of the saw bar is limited mechanically in each end position.

The saw chain is operated by a hydraulic motor, the “saw motor”, via a saw chain sprocket. The saw unit is equipped with a saw chain catcher that will prevent the saw chain from flying off in the event it becomes detached from the saw bar.

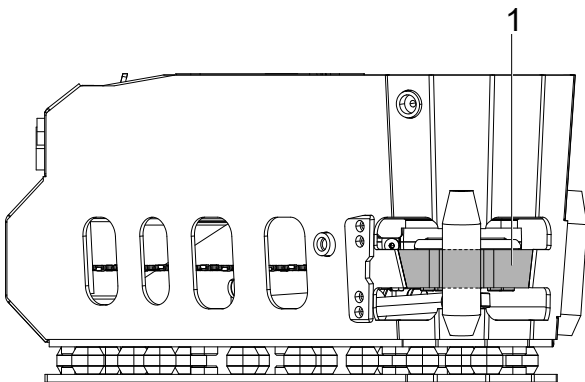
Two sensors detect the position of the saw bar. One sensor detects whether the saw bar is home, the “home position sensor”. The other sensor detects the saw bar’s movement, the “cutting control sensor”.

The head’s control system can use the signal from the home position sensor to prevent the activation of feeding forwards when the saw bar is out.

The head’s control system can use the signal from the cutting control sensor to adjust the outward movement of the saw bar in relation to the stem diameter.

The head is equipped with a chain shot guard, which is tasked with preventing chain shots from occurring in the event the saw chain breaks. The chain shot guard is integrated in the head’s frame.

1. Chain shot guard



900417

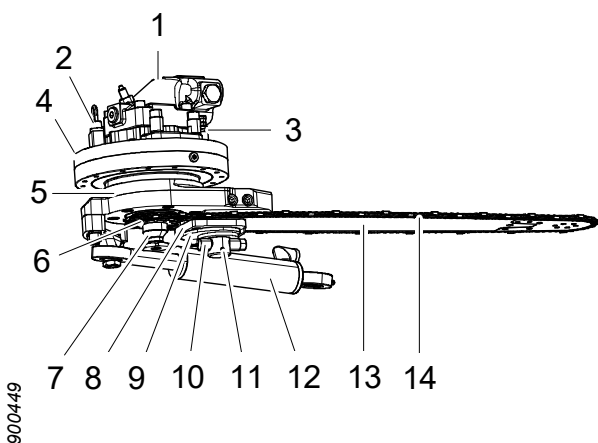
Saw 218

The saw motor's speed is controlled by a valve. The saw motor can only drive the saw chain in one direction. The saw motor speed is adjusted in the head's control system.

The bar feed cylinder is controlled by a valve.

The saw bar's outward movement is limited mechanically by the frame. The saw bar's homeward movement is limited mechanically by a stop screw. The stop screw is mounted in the frame and is also used to adjust the saw bar's home position. The stop screw is equipped with a damping element to reduce the load on the saw unit.

Saw 218 has a manual chain tensioner consisting of a thrust washer, pin, locking shaft and excenter.



1. Saw motor
2. Cutting control sensor
3. Home position sensor
4. Bearing unit
5. Bar mount
6. Saw chain sprocket
7. Saw chain catcher
8. Thrust washer
9. Excenter
10. Locking shaft
11. Pin
12. Bar feed cylinder
13. Saw bar
14. Saw chain

Saw 218 True-Cut

The saw motor in Saw 218 True-Cut has integrated control of saw motor speed and bar feed.

The bar feed pressure and saw motor speed are preset in the factory and cannot be adjusted.

The saw bar is fed out automatically when the saw motor reaches a certain saw motor speed. The bar feed rate is connected to the saw motor speed: if the saw motor speed drops, the bar feed rate decreases.

A separate valve allows the saw bar to be run out without activating the saw motor.

Saw 318

The saw motor's speed is controlled by a valve. The saw motor can only drive the saw chain in one direction. The saw motor speed is adjusted in the head's control system.

The bar feed cylinder is controlled by a valve.

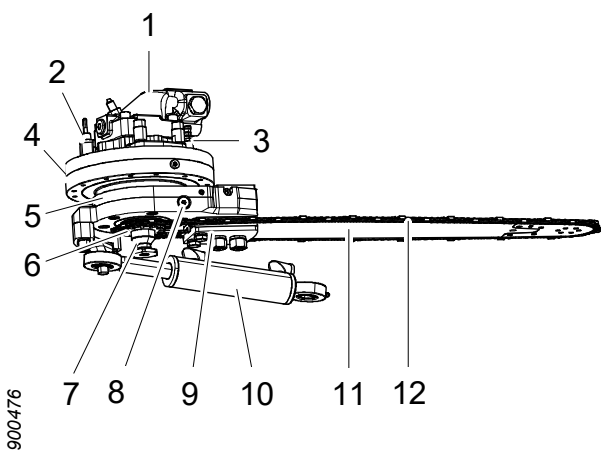
The saw bar's outward movement is limited mechanically by the frame. The saw bar's homeward movement is limited mechanically by a stop screw. The stop screw is mounted in the frame and is also used to adjust the saw bar's home position. The stop screw is equipped with a damping element to reduce the load on the saw unit.

Saw 318 has an automatic saw chain tensioner that tensions the saw chain when the head is supplied with hydraulic pressure.

The main components in the saw chain tensioner are a bar holder, two tensioning pistons, a pressure reducing valve and an auto-release valve. The saw bar is mounted on the bar holder, which in turn is movably mounted in the bar mount.

The tensioning pistons are supplied with hydraulic pressure from the pressure reducing valve and press against the bar holder so that the saw chain is tensioned.

The auto-release valve makes it possible, by hand, to press the bar holder to its innermost position when the pressure supply to the head has ceased. This function is used, for example, when replacing the saw chain.



900476

1. Saw motor
2. Cutting control sensor
3. Home position sensor
4. Bearing unit
5. Bar mount
6. Saw chain sprocket
7. Saw chain catcher
8. Auto-release valve
9. Bar holder
10. Bar feed cylinder
11. Saw bar
12. Saw chain

Saw 318 True-Cut

The saw motor in Saw 318 True-Cut has integrated control of saw motor speed and bar feed.

The bar feed pressure and saw motor speed are preset in the factory and cannot be adjusted.

The saw bar is fed out automatically when the saw motor reaches a certain saw motor speed. The bar feed rate is connected to the saw motor speed: if the saw motor speed drops, the bar feed rate decreases.

A separate valve allows the saw bar to be run out without activating the saw motor.

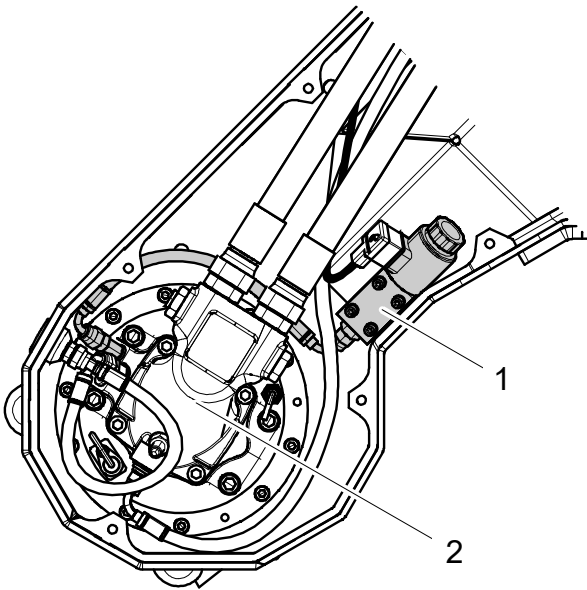
Saw chain lubrication, Easy Greasy

Easy Greasy is a direct-action electric positive displacement pump for oil-based chain lubrication. The pump is mounted on the oil tank that is integrated in the frame.

The oil tank has two strainers for primary filtration of the saw chain oil. One strainer is mounted in the oil tank under the filler cap. The other strainer is mounted in the oil tank at the inlet to the pump.

The pump has a fixed displacement. The flow rate can be varied by varying the stroke frequency (number of strokes per second). The flow is adjusted in the head's control system.

1. Lubricating pump Easy Greasy
2. Saw motor



900498

Grease lubrication

Grease lubrication lubricates the saw chain with grease instead of oil.

The grease is led via tubing from the base machine to the saw unit.

Rotator

The rotator is mounted on the felling link and is used to position the head. The rotator can rotate the head to the right or left, or hold the head in a specific position.

The rotator is controlled either by a valve on the head or from the carrier.

Extra equipment

Multi-tree handling

The multi-log handling unit is mounted on the felling link and enables handling of multiple logs at the same time.

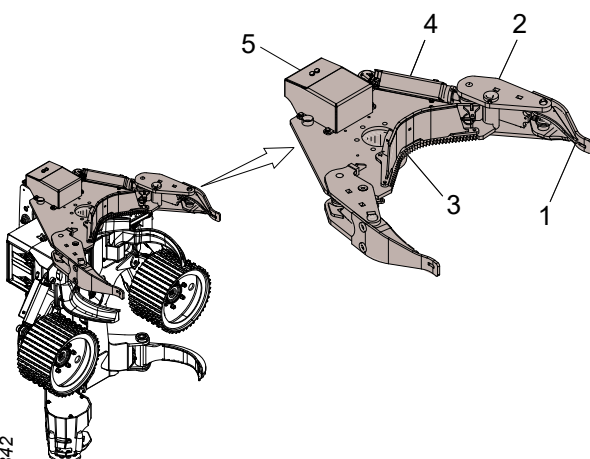
The main components of the multi-log handling unit are the two internal accumulation arms, the two outer accumulation arms and a support plate. The inner accumulation arms are controlled by separate hydraulic cylinders, which in turn are controlled by a shared valve. The outer accumulation arms are mounted so as to permit movement in, and spring-loaded against, the inner accumulation arms.

The accumulation arms can either open or close. The spring-loading of the outer arms makes it possible to “take a new grip” when the accumulation arms are being opened and closed.

1. Outer accumulation arm
2. Inner accumulation arm
3. Support plate
4. Hydraulic cylinder
5. Valve with protective cover

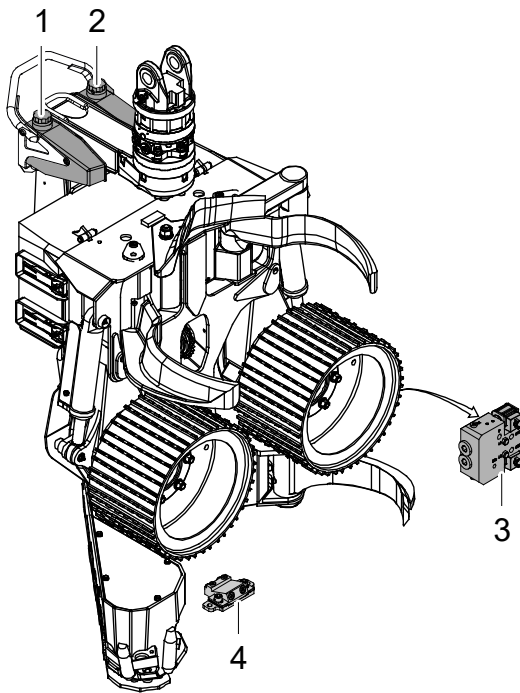
The multi-log handling unit is operated as follows:

1. When the head with the multi-log handling unit has been positioned to take the first tree, the delimiting knives and feed rollers close. Once the tree has been felled, the accumulation arms are closed and hold the log securely against the support plate.



2096342

2. The head is positioned to take another tree. Delimiting knives and feed rollers open. The accumulation arms remain closed and hold the accumulated stems.
3. Delimiting knives and feed rollers close around the next tree. The accumulation arms take a new grip when that tree is sawn off.
4. The process is repeated from point 2 until a suitable number of stems have been accumulated.
5. The accumulation arms open and the head tilts down. The accumulated stems are processed simultaneously.



Colour marking equipment

The colour marking equipment is used to colour-mark the timber assortment and supports two different colours.

The colour marking equipment's main components are a colour marking pump, two colour tanks and two colour marking nozzles. The colour tanks are mounted on the felling link and the colour marking pump is mounted on the frame.

The colour tanks are fitted with lids, which in turn are fitted with non-return valves. The non-return valves prevent underpressure from being generated in the tanks by letting air into the tanks as the dye is used. The non-return valves also prevent the dye from running out.

The colour marking pump is an electro-hydraulic positive displacement pump with two pistons, one for each colour. Each piston has double seals and the colour marking pump has a leakage duct between each seal pair. In this way, an external leakage occurs if one of the seals fails.

The colour marking nozzles are mounted in a colour marking block, which in turn is mounted in the frame.

When colour marking, the dye bounces off the underside of the saw bar onto the log that is being cut.

1. Right colour tank
2. Left colour tank

3. Colour marking pump
4. Colour marking block

Find End (Root search)

The main component of the Find End system is a laser sensor mounted in the frame by the saw head. The laser beam detects the stem. The head's control system can use the signal from the laser sensor to find the end of the stem, so that the length of the stem can be measured without the stem having to be cut to reset the length measurement.

Snow cover

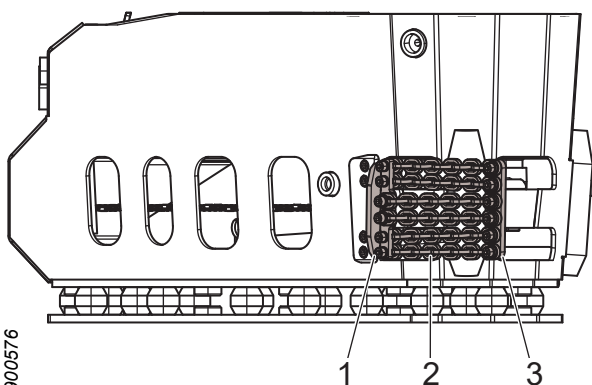
The snow cover is a rubber mat that is installed between the felling link and the protective cover. The snow cover prevents snow and debris from being compacted between the protective cover and the felling link.

Sawdust guard

The sawdust guard is mounted on the frame by the saw unit. The sawdust guard's main components are an inner bar, a number of chains and an outer bar.

The sawdust guard's function is to minimise the spraying of splinters during cutting.

1. Inner bar
2. Chains
3. Outer bar



Stump treatment

The stump treatment equipment sprays a pesticide on the stump to protect it against root rot.

The main components of the stump treatment equipment, such as the tank and pump, are mounted on the carrier.

The pesticide is transferred via hoses from the carrier to the saw unit, and then sprayed onto the stump via the saw bar. The saw bar must be adapted for stump treatment.

Handling

Transport of unattached head



Danger!

Crushing risk! Never walk beneath or close to suspended loads. Ensure that all lifting equipment used is in good condition, adapted for the purpose and dimensioned for the weight of the head.

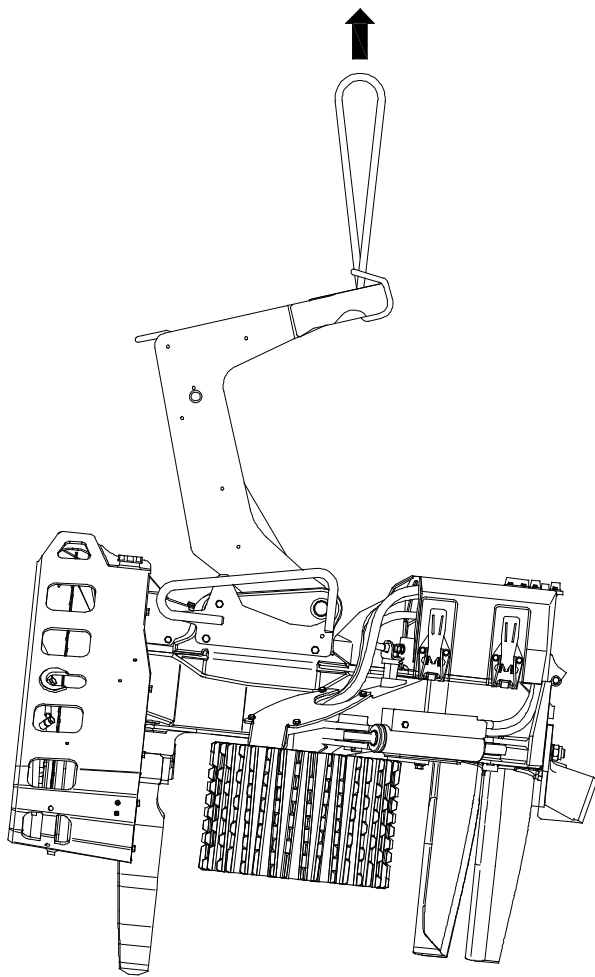


Caution!

Risk of cuts! Dismantle the saw chains and supply the delimiting knives with blade guards when handling the head.

Important!

The head's incoming hydraulic connections must not be plugged when lifting the head. Connect hydraulic hoses to the hydraulic connections and route the hoses down into a collection receptacle.



When transporting an unattached head, the head must be placed flat on a pallet. Delimiting knives and roller arms must be closed. Wooden blocks must be screwed into the pallet so that all delimiting knives and feed rollers are supported. The weight of the head must be evenly distributed between the delimiting knives and the feed rollers.

The felling link must be secured in one of its end positions. The head must be secured against the pallet.

Lift the head at the felling link as shown. Never lift at other parts of the head.

The weight of the head can be seen from “Technical data”.

Transport of head mounted on the carrier

Transport the head according to the safety instructions for transport in the carrier’s manual.

Storage

Prior to storage

If the head is to be stored and not used, the following measures must be implemented:

1. Clean the head.
2. Lubricate the head with grease at all lubrication points according to the maintenance chart.
3. Fill the oil tank with saw chain oil.

4. Refer to the maintenance section for any additional equipment with regard to instructions in the event of long breaks.
5. Operate all cylinder functions in the head between their end positions a few times to ensure that an oil film is formed on the piston rods.
6. Operate the feed roller motors for one minute in each direction to ensure they are filled with oil.
7. Install the blade guards on the delimiting knives.
8. Dismantle the saw chain.
9. If the head has an automatic saw chain tensioner, the saw bar must be moved to its innermost position and locked in place with cable ties or similar.
10. Place the head on a pallet as instructed for "Transport of unattached head".
11. Plug the head's incoming hydraulic connections so that the head remains filled with oil. If the oil is allowed to drain, hydraulic components can rust internally and be destroyed.

During storage

Important!

The head may be stored for a maximum of 6 months. After this, the head must be used for a few hours.

Store the head indoors in an area that maintains an even temperature to avoid corrosion of the head and its electronic components.

During storage, check at regular intervals that there are no leaks. If necessary, a thin film of hydraulic oil should be applied to those piston rods that are not withdrawn into their cylinders.

After storage

Before putting the head into operation following storage, the following measures must be implemented:

1. Check that all electrical connectors and their associated pins are free from corrosion.

2. Lubricate the head with grease at all lubrication points according to the maintenance chart.
3. Refer to the maintenance section for any additional equipment with regard to instructions in the event of long breaks.
4. Check that the saw chain lubrication is working according to the instructions for checking the saw chain lubrication.
5. Install a saw chain.
6. Remove the delimiting knives' blade guards.

Scrapping and recycling



Warning!

The head's accumulators are pressurised with gas, which can be released explosively in the event of external damage.

Contact the local authorities regarding how best to scrap and recycle the head.

Prior to scrapping and recycling, the following should be carried out:

- Wash the head.
- Drain the head's systems for hydraulic oil and saw chain oil into receptacles intended for this purpose.
- In cases where the head is equipped with colour marking and stump treatment: Drain the liquid from the colour marking and stump treatment systems into receptacles intended for this purpose.
- Dismantle and sort the head's electronic components.
- Dismantle and sort the head's rubber components.
- Sort the head's remaining parts as scrap metal.

Handling

Important!

It is prohibited to use the head to help relieve the weight of the carrier. For example, by pushing the head against the ground to help the carrier turn around.

Starting up the head

Important!

Do not use the head if the ambient temperature is below the lowest permitted temperature, see “Technical data”.

Before starting the session, proceed as follows:

1. Clean snow, ice and debris from the head.
2. Warm up the hydraulic oil according to the instructions in carrier’s manual. As a minimum, the hydraulic oil must reach the lowest permitted working temperature, see “Technical data”.

Important!

Do not use the feed roller motors or the saw motor to warm up the hydraulic oil, as this could damage the motors.

3. If the saw unit has a manual chain tensioner: tension the saw chain according to the instructions for the saw unit.
4. Operate the head’s hydraulic functions a few times so that the head is supplied with warm hydraulic oil.

Important!

Allow the head to work with limited pressure and flow when the head’s hydraulic functions are being operated to provide the head with warm hydraulic oil.

5. Check that the saw chain lubrication is working according to the instructions for checking the saw chain lubrication.

Felling work

**Danger!**

The head must be completely closed around the stem before felling the tree. If the head moves during sawing, there is a risk of chain shots.

**Danger!**

Never leave a tree that has been almost cut through without taking other measures.

**Danger!**

Note the felling direction! The head cannot force the tree to fall in a particular direction. When the tree has been cut through and has started to fall, it is basically impossible to change the felling direction.

**Danger!**

Risk of injury. Never feed the stem towards the cab.

Important!

Operate the head using gentle movements to minimise wear on the head and the carrier.

The felling process using the head can be split into sub-elements: planning, felling, processing and sorting.

Planning

Plan the felling work before starting. Position the carrier with respect to:

- distance to the trees that are to be processed.
- stacking location.
- felling direction.
- that the carrier is stable.

Felling

Select the felling direction so that the tree is felled safely in the desired direction. Give consideration to:

- wind direction and wind strength.
- the incline of the tree and the land.
- nearby trees and other obstacles.

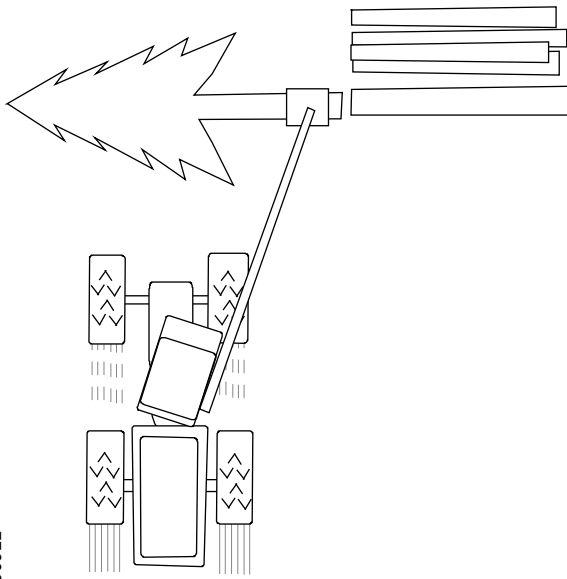
Apply the head on the opposite side from the side towards which the tree is to be felled. Grip the tree as low as possible, but make sure that the saw bar can cut the entire stem. Double cuts may be made, if necessary. In those cases where the cutting control sensor prevents the saw bar from cutting through the entire stem, manual cutting can be performed.

Important!

Do not turn the head with the rotator after the tree has been cut through and has begun to fall, as this can damage the rotator.

Important!

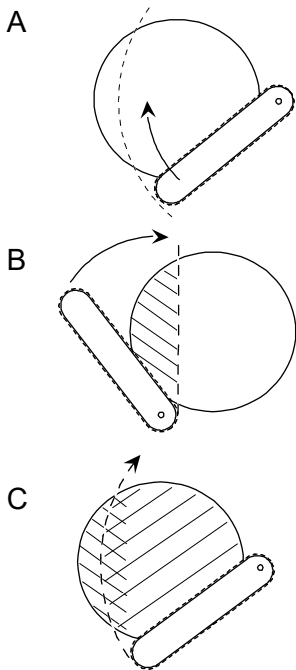
Under no circumstances may the head be reversed down towards the root. This can damage the mountings for the knives and feed rollers, making the head unusable.



900922

Press the head gently against the tree in the felling direction. This makes felling easier and reduces the risk of the saw bar sticking. If the head is pressed too hard against the tree, felling cracks can occur in the timber.

Do not break off a tree that has been cut halfway through, rather saw through the entire tree in order to minimise the risk of felling cracks.



900935

Double cutting

Double cutting is a technique that is used when felling thick trees where the saw bar is unable to cut through the stem with one cut (figure A). In this case, two cuts can be made from two different directions to get through the stem.

First make a cut with the head turned 90° clockwise (figure B) in relation to the intended felling cut.

Before making the second cut, turn the head to the position for the felling cut. After completing this cut, the tree will have been sawn through (figure C). The tree will fall, even though the two cuts do not meet exactly.

Processing and sorting

Processing involves delimiting trees and cutting them into appropriate lengths. Well planned and executed processing maximises the timber value, makes haulage easier and reduces damage to the ground.

Process trees so that the timber ends up in piles sorted by timber quality. Aim with the head above the previously cut logs when processing. The logs are then cut so that their ends are aligned with each other. This is known as evening the log-ends in the timber piles. If possible, cut the log with support to minimise the risk of cutting cracks.

Avoid laying branches and twigs on timber that has been processed. If the ground has a low bearing capacity, it is advisable to perform delimiting in front of the carrier so that the brushwood protects the ground from driving damage and prevents the carrier from becoming stuck.

Thick branches

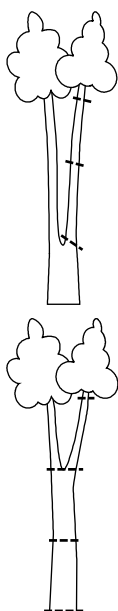
If the tree has one or more thick branches that can make processing more difficult, the tree can be delimited in a single operation or be delimited a little further than the intended log length. This is done to allow the head to achieve a high feed rate, which makes the delimiting of trees with thick branches easier. The log is then reversed and processed as normal.

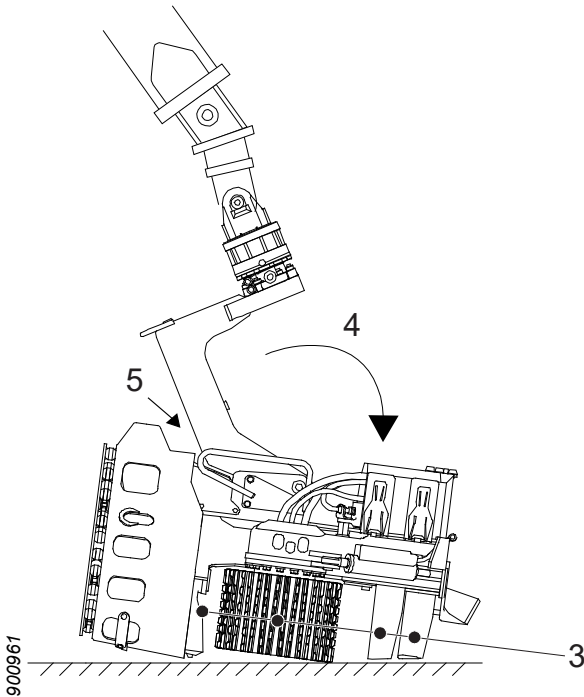
Forks

The technique for handling trees with forks depends on the appearance of the tree.

If the fork is low down, one stem section is cut off directly and processed as normal. The rest of the tree is then felled and processed.

If the fork is high up, the entire tree is felled and processed as normal up to the fork. The stem is then placed on the ground. Position the head suspended above the fork and activate the saw unit to cut off one or both parts of the stem. Then pick up and process the stem parts as normal.





Parking on completion of the work

1. If the saw unit has a manual saw chain tensioner: release the saw chain's tension in line with the inspection and maintenance for the saw unit.
2. Roughly clean the head in accordance with "Rough cleaning".
3. Close the delimiting knives and open the feed roller arms.
4. Place the head in floating mode and lower it onto a firm, flat surface.
5. Angle the felling link towards the mechanical stop in the frame.
6. Relieve the load on the carrier's hydraulics.
7. Turn off the carrier. Remove the start key and disconnect the main power.

Observe the safety instructions in the carrier's manual regarding parking the carrier.

Unforeseen operational stoppages



Danger!

Always try to remedy the fault from the carrier's cab. Only leave the cab as a last resort when you have made sure that no unexpected machine movements can occur.



Danger!

Never attempt to release stems by hand that have become stuck in the head, for example by loosening hydraulic hoses or manually activating the head's hydraulic valves.

In the event of a failure, such as hose or cable rupture, which makes the head unusable and where the head is still gripping a stem, the head must be released from the stem before commencing repair work.

Position the head so that the delimiting knives are free from the ground. Try activating the function to open the delimiting knives.

If the delimiting knives do not open, disconnect the pressure supply to the head. Wait until the delimiting knives have opened slightly with the aid of the internal leakage in the head's hydraulic valves. Then use the carrier's crane to prise the head away from the stem.

Use other machinery if necessary.

Inspections and maintenance

This chapter describes inspections and maintenance of the head that can be performed by the driver. All maintenance work on the head for which there are no instructions in this chapter must be carried out by technicians possessing the requisite knowledge.

Some of the operations in this chapter require two people in order to be performed. Make sure that it is possible to call for help in the event of an accident. Always have a mobile phone, communication radio or similar close at hand when conducting inspections and maintenance work. Also ensure that suitable vehicles and navigable roads are available in the event it becomes necessary to go to a hospital.

**Danger!**

Crushing risk! The head must be parked as instructed to minimise the risk of crushing injuries.

**Warning!**

Risk of burns! Allow the head and hydraulic oil to cool before performing inspections and maintenance on the head.

**Warning!**

The head's hydraulic system is fitted with accumulators. Pressure may remain in the system for some time after the pressure supply has been interrupted.

**Warning!**

Pressurised liquid can cause cuts. Never search for leaks in the head's systems by feeling with your hands or other parts of your body.

**Warning!**

Risk of cuts! Always dismantle all saw chains and install blade guards on the delimiting knives before starting inspections and maintenance of the head.

**Warning!**

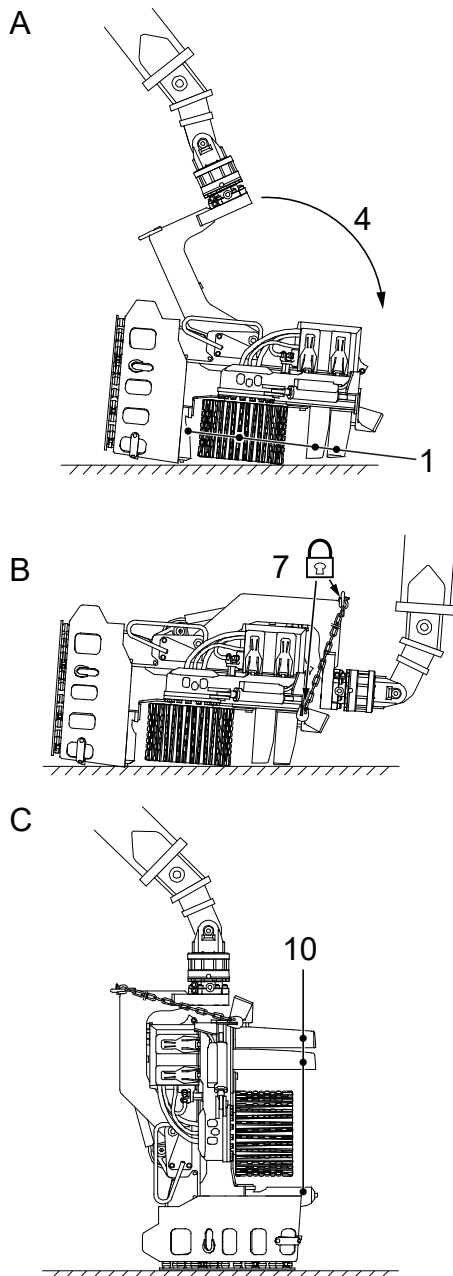
Risk of eye injury! Laser beam. Do not look into the beam. Class 2 laser product.

**Caution!**

Avoid skin contact with the head's liquids, as they can be harmful. Also avoid inhaling fumes.

Parking the head prior to inspections and maintenance

Parking in the tilted up position

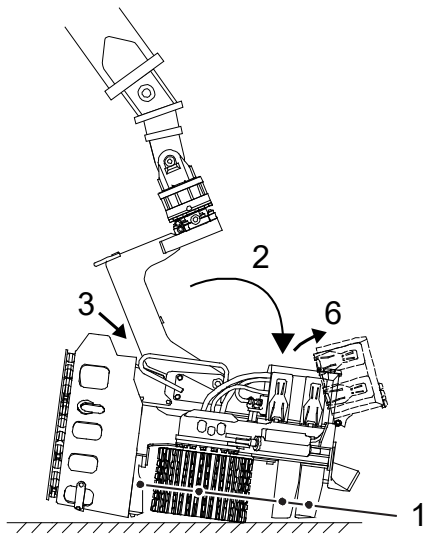


- A
- 1 Close the delimiting knives and open the feed roller arms.
 - 2 Set the head in floating mode.
 - 3 Place the head on a firm, flat surface.
 - 4 Carefully run out the crane so that the felling link is positioned against its upper stop position.
 - 5 Relieve the load on the carrier's hydraulics.
 - 6 Turn off the carrier. Remove the start key and disconnect the main power.
- B
- 7 Lock the felling link against the frame using the safety chain.
 - 8 Start the machine.
- C
- 9 Carefully raise the head with the aid of the crane.
 - 10 Open the delimiting knives.
 - 11 Place the head on a firm, flat surface.
 - 12 Relieve the load on the carrier's hydraulics.
 - 13 Turn off the carrier. Remove the start key and disconnect the main power.
 - 14 Install the blade guards on the delimiting knives.
 - 15 Dismantle all saw chains.

Observe the safety instructions in the carrier's manual regarding parking the carrier.

Important!

If the head is equipped with a multi-log handling unit: keep the accumulation arms closed when running out the crane.



901259

Parking in the tilted down position

1. Close the delimiting knives and open the feed roller arms.
2. Set the head in floating mode and park it on a firm, flat surface.
3. Angle the felling link backwards towards the mechanical stop.
4. Relieve the load on the carrier's hydraulics.
5. Turn off the carrier. Remove the start key and disconnect the main power.
6. Open the protective cover on the head and disconnect the electric cable for the *tilt up* function.
7. Install a blade guard on the upper delimiting knife.

Observe the safety instructions in the carrier's manual regarding parking the carrier.

Rough cleaning

Park the head in accordance with "Parking in the tilted up position".

Roughly clean the head as shown below.

1. Remove branches and tree remnants from the head. Check that they have not caused any damage.
2. Clean the head of water and snow in cold weather to prevent ice formation.
3. Clean the measuring wheel and around the measuring wheel arm.
4. Clean the feed rollers.
5. Clean the saw unit.

Inspecting the head

Park the head in accordance with "Parking in the tilted up position", unless otherwise indicated.

Make sure that the head does not have any cracks

To check that the head does not have any cracks:

1. Remove the right and left protective plates by the right and left delimiting knives.
2. Check for cracks in the head's components. Be careful to check:
 - the frame, especially at all cylinder attachments.
 - the felling link.
 - the feed roller arms.
 - the delimiting knives.

If cracks are found, the affected components must be repaired before the head is put into operation. See section for "Repair welding".

3. Reinstall the right and left protective plates by the right and left delimiting knives.
4. Make sure that all guards are intact. Check that the screws holding the guards are intact and tightened. Replace screws that have fallen out.

Inspecting stop buffers

Check that the stop buffers by the felling link and the feed roller arms are not damaged or missing. Replace damaged and missing stop buffers.

Inspecting fixed or damped protective plate

Park the head in accordance with "Parking in the tilted down position".

Inspecting damped protective plate

Check that:

- The protective plate is intact. Replace the protective plate if it is cracked.
- Screws, nuts and spherical washers are intact and tightened to 35 Nm. Replace damaged and missing screws, nuts and spherical washers.
- The rubber springs are intact. Replace damaged and missing rubber springs.

Inspecting fixed protective plate

Check that:

- The protective plate is intact. Replace the protective plate if it is cracked.

- Screws and spherical washers are intact and tightened. Replace damaged and missing screws and spherical washers.

Inspecting electrical wiring

Park the head in accordance with “Parking in the tilted down position”.

Open the protective cover and check that the visible electrical wiring is intact and undamaged. Replace damaged or defective electrical wiring.

Important!

Replacement of electrical wiring must be carried out by technicians possessing the requisite knowledge.

Inspecting wear plates

Park the head in accordance with “Parking in the tilted up position”.

Upper wear plate

When the upper wear plate is worn down to half the thickness of the material, it must be replaced in accordance with “Repair welding”.

Lower wear plate

When the lower wear plate is worn down to half the thickness of the material, it must be replaced in accordance with “Repair welding”.

Inspecting and adjusting the protective cover and over-centre latches



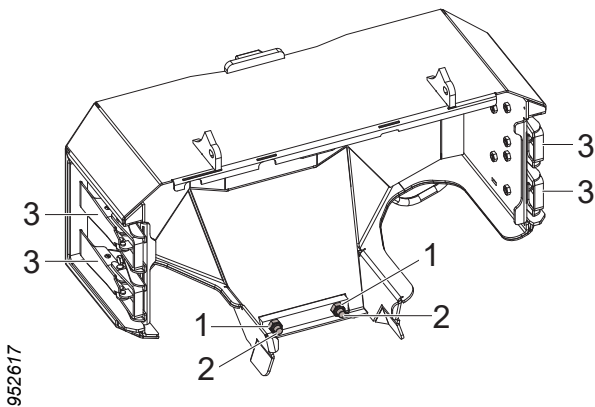
Warning!

Risk of crushing injuries! The protective cover is heavy and has sharp edges. It must be handled with care.

Park the head in accordance with “Parking in the tilted down position”.

Check that the protective cover’s over-centre latches are intact. Check that the screws securing the over-centre latches are intact and tightened. Replace screws that have fallen out.

Adjust the protective cover’s stop screws and locking nuts so that the protective cover is secure when the over-centre latches are locked and so that no over-centre latches are loose.



1. Locking nuts
2. Stop screws
3. Over-centre latches

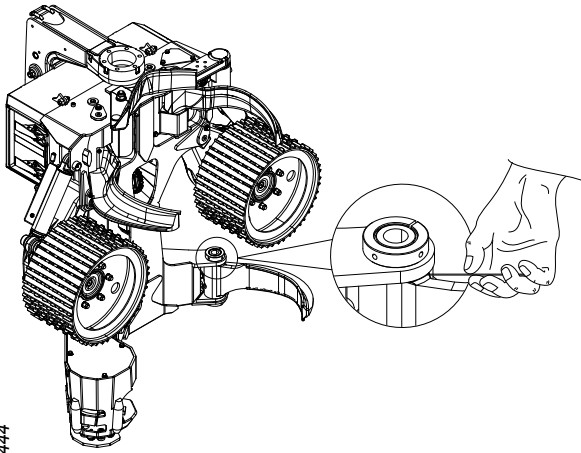
Shafts for felling link, feed roller arms and delimiting knives

Park the head in accordance with “Parking in the tilted up position”.

Inspecting Log Max’s standard shafts

Make sure that the shaft’s locking screw is intact and tightened.

Check that the shaft’s rotation locking is intact. If necessary, repair in accordance with “Repair welding”



2096444

Inspecting axial play

To check the axial play between a component and the frame:

1. Park the head in accordance with “Parking in the tilted up position”.
2. Dismantle the protective plates by the right and left delimiting knives.
3. Use a feeler gauge to check the gap between the component and the frame. Note the gap on both sides of the component.
4. If the total gap exceeds 1 mm, the shaft must be shimmed.

Important!

Shimming of shafts must be carried out by technicians possessing the requisite knowledge.

Delimiting unit



Caution!

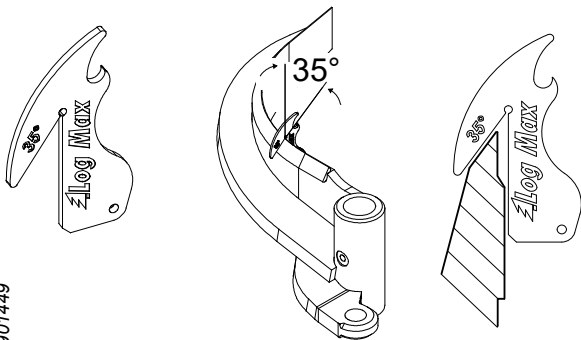
Risk of cuts. The edges of the delimiting knives are sharp.

Park the head in accordance with “Parking in the tilted up position”.

Delimiting knives' edges

Minor damage to the delimiting knives' edges is remedied with a hammer and file. Major damage is remedied with a grinding disc for metal in a grinding machine. In order for the delimiting knives to retain their hardness, they must not be exposed to high temperatures during grinding.

For easy control of the correct edge angle, an edge template is available. The edge template can be used for all the delimiting knives' edges, except for the counter-chamfers of the lower delimiting knife.



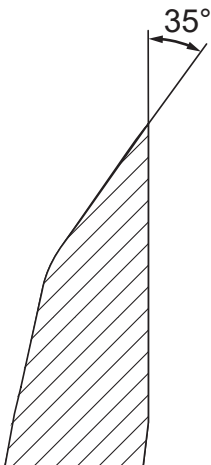
901449

Important!

Replacement of delimiting knives must be carried out by technicians possessing the requisite knowledge.

Upper delimiting knife

The upper delimiting knife must be sharpened according to the edge template. If the upper delimiting knife acquires a counter-chamfer or becomes worn on the inside, repair welding can be performed in accordance with "Repair welding" and the blade can then be sharpened again.

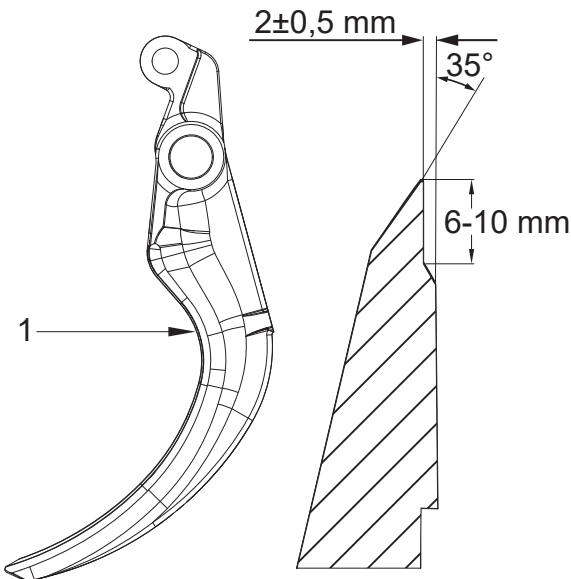


906858

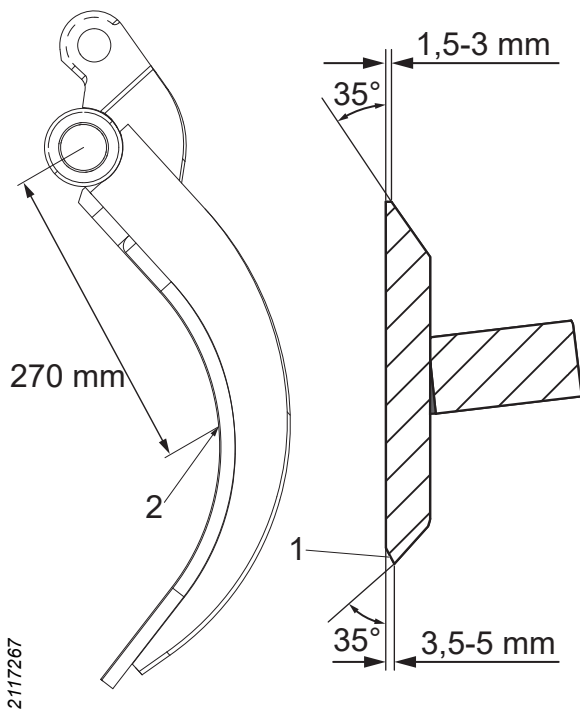
Right and left delimiting knives

The right and left delimiting knives must be sharpened according to the edge template.

Worn out right and left delimiting knives must be replaced. The wear limit is when the total height of the right or left delimiting knife is less than 87 mm. The wear limit for the right and left delimiting knives is measured at (1).



906780



Lower delimiting knife

The upper and lower edges of the lower delimiting knife must be sharpened according to the edge template, but with a counter-chamfer (1).

When the lower delimiting knife is sufficiently worn, it must be replaced. The wear limit is when the total height of the lower delimiting knife is less than 90 mm. The wear limit for the lower delimiting knife is measured at (2).

Fixed delimiting knife

The fixed delimiting knife does not need to be maintained. It is integrated into a wear plate that is replaced when it is worn out, see "Inspecting wear plates".

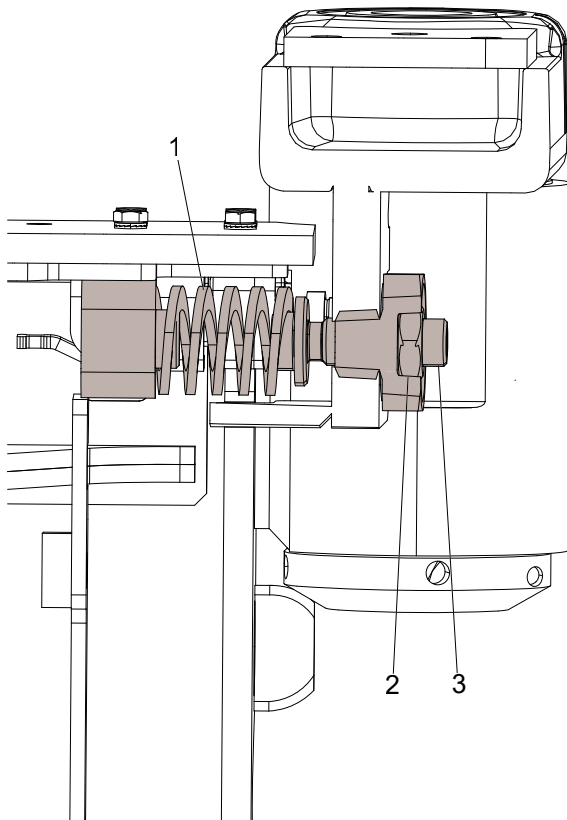
Upper delimiting knife's spring and its preload

To check the spring for the upper delimiting knife and its preload, check first that the spring (1) is intact. If the spring is damaged or worn, replace the spring according to "Replacement of the upper delimiting knife's spring".

Adjust spring preload as follows:

1. Loosen the locking nut (2).
2. Turn the adjustment screw (3) clockwise to increase the preload.
3. Turn the adjustment screw (3) anti-clockwise to decrease the preload.
4. Tighten the locking nut (2).

During basic setting of spring preload, the adjustment screw (3) must protrude approximately 4 mm from the threaded plug.

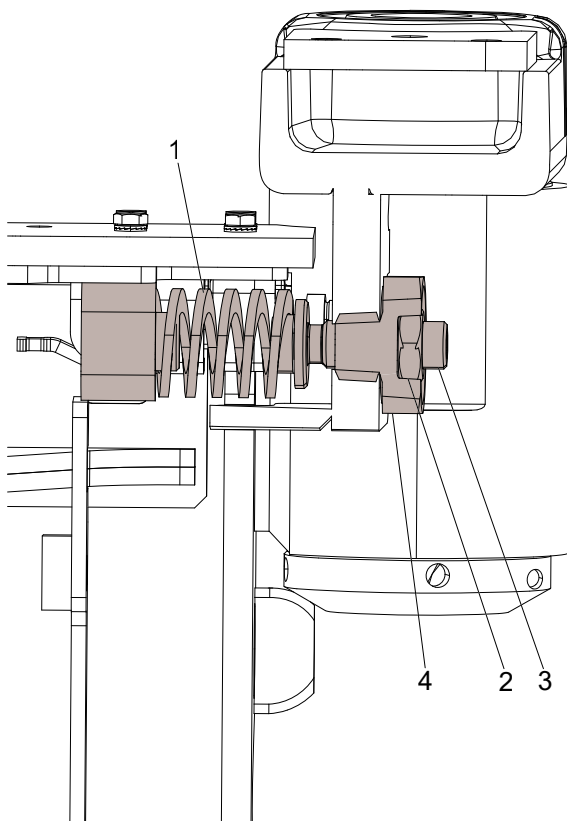


2096980

Replacement of the upper delimiting knife's spring

When the spring for the upper delimiting knife is worn or damaged, it must be replaced as follows:

1. Loosen the locking nut (2).
2. Turn the adjustment screw (3) anti-clockwise until it is fully unscrewed.
3. Loosen the threaded plug (4).
4. Pull the upper delimiting knife to its outer end-position.
5. Replace the old spring (1) with a new spring.
6. Screw the threaded plug (4) back in.
7. Screw in the adjustment screw (3) so that the spring (1) remains in place.
8. Push back the upper delimiting knife.
9. Adjust the default setting of the spring preload according to "Upper delimiting knife's spring and its preload".



2097822

Basic setting and adjustment of upper delimiting knife sensor



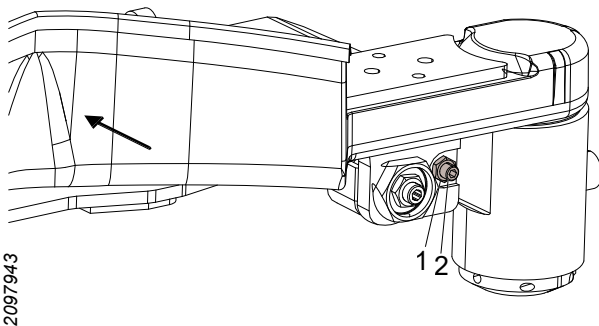
Danger!

Only the ignition may be activated when the basic setting of the upper delimiting knife is performed. Make sure that the carrier's other functions cannot be activated.

The correct setting of the upper delimiting knife sensor is necessary in order for the head's delimiting and feed unit to function properly. It is therefore important to adjust the upper delimiting knife sensor according to the prevailing conditions.

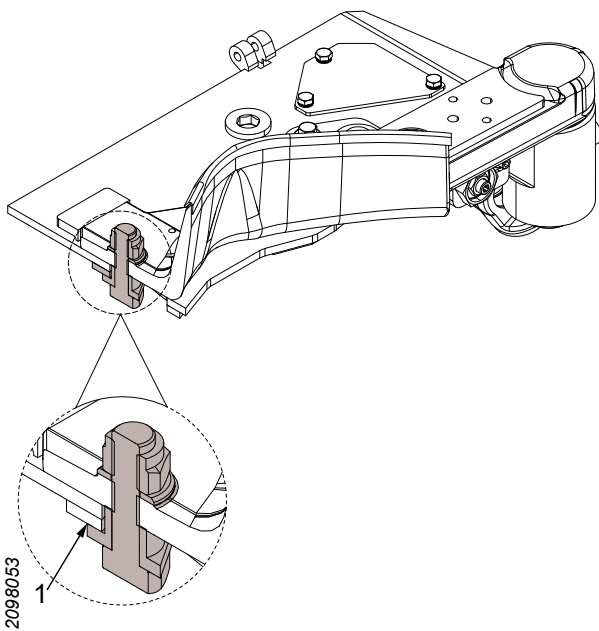
Active Friction Control™ (AFC)

This instruction describes how to conduct a mechanical basic setting of the upper delimiting knife sensor. Proper setting of the AFC system also requires adjustment of settings in the head's control system.



1. Loosen the adjustment screw's locking nut (1).
2. Rotate the adjustment screw (2) anti-clockwise as far as possible.
3. Press and hold the upper delimiting knife against its stop lug.
4. Turn the adjustment screw (2) clockwise until it makes mechanical contact with the upper delimiting knife sensor.
5. Turn the adjustment screw (2) anti-clockwise 1 turn.
6. Lock the adjustment screw (2) with the locking nut (1). Take care not to turn the adjustment screw (2) when tightening the locking nut (1).

For further instructions regarding the adjustment of the AFC system, refer to the manual for the head's control system.



Checking and adjusting the upper delimiting knife's screw and nut in the groove

Check that the screw and nut are intact and that the upper delimiting knife is in contact with the frame. In order for the upper delimiting knife to be able to move, a play (1) of 0.3-0.7 mm is required. The play (1) is checked with a feeler gauge.

Adjust the play (1) using shims.

Important!

If the play is too great, the upper delimiting knife and frame can be damaged.

Feeding unit

Park the head in accordance with "Parking in the tilted up position".

Inspecting feed rollers

Check the sharpness and wear of the feed rollers' ribs. Sharpen or replace the feed rollers if necessary. Replace the feed rollers according to "Replacement of feed rollers".

Tightening feed roller nuts

Tighten the feed roller nuts crosswise to the recommended tightening torque:

180 Nm.

If tightening is performed using hand tools, the feed roller must be blocked so that it cannot rotate.

If the feed roller has recently been installed, tightening must be repeated after 1 h.

Replacement of feed rollers

Removing feed rollers

In order to remove a feed roller:

1. Loosen the feed roller nuts $\frac{1}{2}$ -1 turn. If the nuts are loosened using hand tools, the feed roller must be blocked so that it cannot rotate.
2. Secure the feed roller with suitable lifting equipment.
3. Remove the feed roller nuts and the feed roller.

Installing feed rollers

To install a feed roller:

1. Clean the feed roller's and the feed roller motor hub's mating surfaces.
2. Clean and check threads in the feed roller nuts and on the feed roller motor hub's screws. Replace damaged nuts and screws.

Important!

Replacement of screws in the feed roller motor hub must be carried out by technicians possessing the requisite knowledge.

3. Lift the feed roller into position using suitable lifting equipment.

Important!

Lubricate the feed roller motor hub's screws before installing the feed roller nuts.

4. Secure the feed roller by installing the feed roller nuts and tightening them gently.
5. Remove the lifting equipment.
6. Tighten the feed roller nuts according to "Tightening feed roller nuts".

Checking the tightening of screws for feed roller motors

To check that the screws holding the feed roller motors are tightened:

1. Remove the feed rollers according to “Removing feed rollers”.
2. Tighten the screws holding the feed roller motors crosswise to the recommended general tightening torque for oiled steel screw joints with Nord-Lock washers, see “Technical data”.
3. Install the feed rollers according to “Installing feed rollers”.

Diameter measurement unit

Check the diameter measurement unit’s sensors by opening and closing the feeder roller arms five times. The sensors’ value in the control system must not differ by more than 5 pulses in the repetitions for open or closed position. If the value differs by more than 5 pulses, the diameter measurement unit is defective and troubleshooting must be performed by technicians possessing the requisite knowledge.

Refer to the control system’s manual for more information.

Important!

Replacement of sensors must be carried out by technicians possessing the requisite knowledge.

Four-point measurement

To check the lower delimiting knife sensor, open and close the lower delimiting knife five times. The sensor value may not differ by more than 5 pulses in the open or close repetitions. If the value differs by more than 5 pulses, the delimiting knife sensor is defective and troubleshooting must be performed by technicians with the requisite knowledge.

Refer to the control system’s manual for more information.

Important!

Replacement of sensors must be carried out by technicians possessing the requisite knowledge.

Length measurement unit



Caution!

The measuring wheel is sharp. Wear suitable protective equipment when working with or near the measuring wheel.



Warning!

Risk of crushing injuries. Work with the length measurement unit takes place in confined spaces and involves moving parts.

Important!

Replacement of sensors must be carried out by technicians possessing the requisite knowledge.

Park the head in accordance with “Parking in the tilted up position”.

Inspecting the length measurement unit

Check the mechanical parts of the length measurement unit:

1. Disconnect the pressure supply to the head.
2. Activate the *length measurement wheel out* function repeatedly until the length measurement wheel stops responding to the button being pressed.
3. Turn off the carrier.
4. Loosen one of the hydraulic hoses to the measuring wheel's hydraulic cylinder so that hydraulic oil can leak out. Use a cloth to wipe up any hydraulic oil spillage.
5. Pull out the measuring wheel arm.
6. Check the wear on the measuring wheel tracks. If necessary, replace in accordance with “Replacing measuring wheel tracks”

7. Check the measuring wheel's rolling resistance by rotating the measuring wheel by hand. The measuring wheel should roll with even rolling resistance. If the rolling resistance is uneven or if the measuring wheel rolls too easily, the measuring wheel's bearing must be renovated.
8. Check for play in:
 - the measuring wheel's bearing.
 - the measuring wheel arm's shaft.
 - the measuring wheel arm's carrier.

If there is play, the affected component must be replaced.
9. Tighten the hydraulic hose.
10. Activate *length measurement wheel out/in* five times to bleed the hydraulic cylinder before putting the head into operation.

Important!

The renovation of the measuring wheel's bearing or the replacement of components in the length measurement unit, other than measuring wheel tracks, must be carried out by technicians possessing the requisite knowledge.

Replacing measuring wheel tracks

In order to replace measuring wheel tracks:

1. Disconnect the pressure supply to the head.
2. Activate the *length measurement wheel out* function repeatedly until the length measurement wheel stops responding to the button being pressed.
3. Turn off the carrier.
4. Loosen one of the hydraulic hoses to the measuring wheel's hydraulic cylinder so that hydraulic oil can leak out. Use a cloth to wipe up any hydraulic oil spillage.
5. Pull out the measuring wheel arm.
6. Remove the screws holding the measuring wheel tracks against the measuring wheel arm's hub and remove the measuring wheel tracks.

7. Install new measuring wheel tracks with new screws and washers.
8. Tighten the hydraulic hose.
9. Activate *length measurement wheel out/in* five times to bleed the hydraulic cylinder before putting the head into operation.
10. Test-operate the head and check that the measuring wheel is free from:
 - the frame.
 - the feed rollers when the feed roller arms are closed.

Checking the length measurement sensor in the feed roller

The length measurement sensor in the feed roller must be checked by technicians with the requisite knowledge.

Saw unit



Danger!

The risk of chain shots increases if saw unit's components are worn. You must therefore check regularly that the saw chain, saw bar, saw chain sprocket and chain shot guard are in good condition.



Danger!

Always discard the broken saw chain after a breakage.



Danger!

If the saw chain catcher or the screw that is securing it to the saw motor shaft should fail, the saw chain sprocket can be thrown out at high speed.



Warning!

Always use suitable protective equipment when handling the saw chain, saw bar and saw chain sprocket.

Important!

Risk of saw motor failure. Never operate the saw motor unloaded for longer than a total of 3 seconds per full minute.

Important!

Replacement of sensors must be carried out by technicians possessing the requisite knowledge.

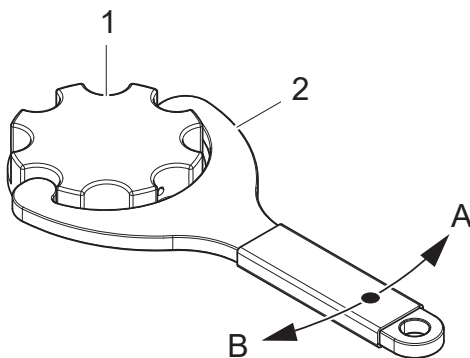
Park the head in accordance with “Parking in the tilted up position”, unless otherwise indicated.

Inspecting chain shot guard

Check that the chain shot guard is not damaged. If the chain shot guard has sustained damage that is deeper than 2 mm, the chain shot guard must be replaced.

Important!

Replacement of the chain shot guard may only be carried out by technicians possessing the requisite knowledge.



Fill with saw chain oil

Top up the saw chain oil every 8 hours or as necessary.

1. Tank filler cap
2. Tool for tank filler cap

- A Open
- B Close

Clean the strainers in the oil tank if necessary.

Checking saw chain lubrication

Activate the lubricating pump in the control system and check that saw chain lubricant reaches the saw bar. If no saw chain lubricant reaches the saw bar, troubleshooting is required.

Inspecting saw chain

Check the tensioning of the saw chain. Refer to the instructions for the relevant saw unit.

Check the cutting angles, the sharpness and any damage to the saw chain. Replace the saw chain if damage is present. The correct cutting angles and sharpness reduce wear on the saw bar and saw chain, and counteract cutting cracks in the timber.

Important!

Always check and sharpen the saw chain according to the saw chain manufacturer's recommendations.

Inspecting saw bar

Check and clean the saw bar's saw chain track and saw oil ducts so that they do not become clogged with sawdust and tree remnants.

Turn the saw bar at regular intervals so that the bar wears evenly on both sides.

Important!

Do not cut for longer than approx. 5 seconds at a time. Otherwise there is a risk of the saw bar becoming too hot and potentially becoming hardened. A hardened saw bar becomes brittle, which can lead to cracks or to pieces of the saw bar becoming detached.

Replace the saw bar if:

- the saw bar is bent.
- the saw bar has cracks or other damage.
- the bar rails begin to develop burrs and the wear surfaces show traces left by the saw chain.

- the saw bar has hardened.
- there is play in the nose sprocket.

To replace the saw bar, refer to the instructions for the relevant saw unit.

Inspection of saw chain sprocket and saw chain catcher

Check the saw chain sprocket's wear and damage. Replace the saw chain sprocket if necessary.

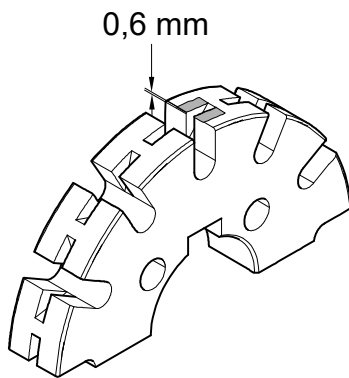
If saw unit has a saw chain with:

- 0.404" pitch, the saw chain sprocket must be replaced after a maximum of 10 spent saw chains or when the wear depth in the saw chain sprocket's surface reaches 0.6 mm.

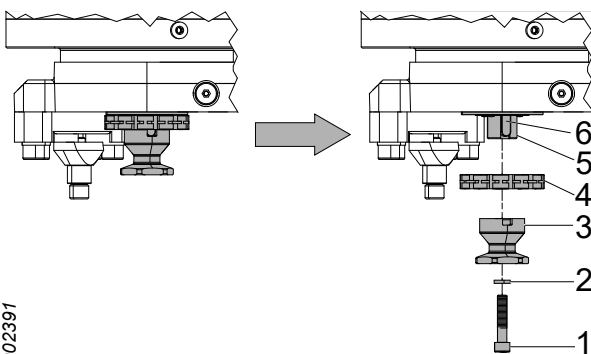
Check that the saw chain catcher is not damaged.

Replace the saw chain catcher if:

- it is heavily worn.
- it has cracks.
- chips have become detached.
- there is play between the saw chain catcher and the saw motor shaft.



902370



902391

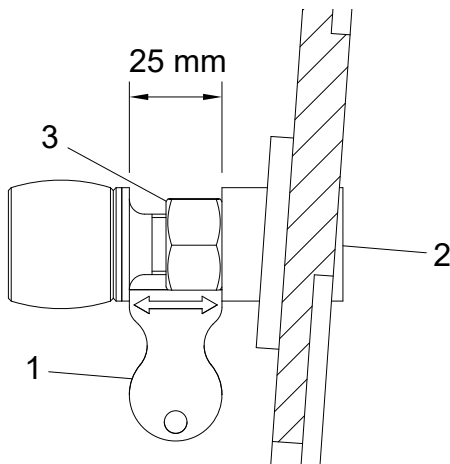
Replace saw chain sprocket and saw chain catcher

1. Dismantle the saw chain according to the relevant saw unit's instructions for replacing the saw chain.
2. Remove the screw (1) and the washer (2) and discard them.
3. Dismantle the saw chain catcher (3).
4. Dismantle the saw chain sprocket (4).
5. Check that the saw motor shaft (5) and the shaft wedge (6) are not damaged. Replace the shaft wedge (6) if there is play between the saw motor shaft (5) and the shaft wedge (6). If there is play even though a new shaft wedge (6) has been installed, the saw motor shaft (5) must be replaced.
6. Clean and lubricate the saw motor shaft (5) with grease or oil.

7. Install a new saw chain sprocket (4). Check that the saw chain track in the saw chain sprocket is in line with the saw bar's saw chain track. Adjust the saw chain sprocket with shims if necessary.
8. Install the saw chain catcher (3), a new washer (2) and a new screw (1).
9. Install the saw chain according to the relevant saw unit's instructions for replacing the saw chain.

Important!

Replacement of the saw motor or saw motor shaft may only be carried out by technicians possessing the requisite knowledge.



Checking the stop screw

Check that the stop screw is not damaged or missing. Replace a damaged or missing stop screw.

Replacing the stop screw

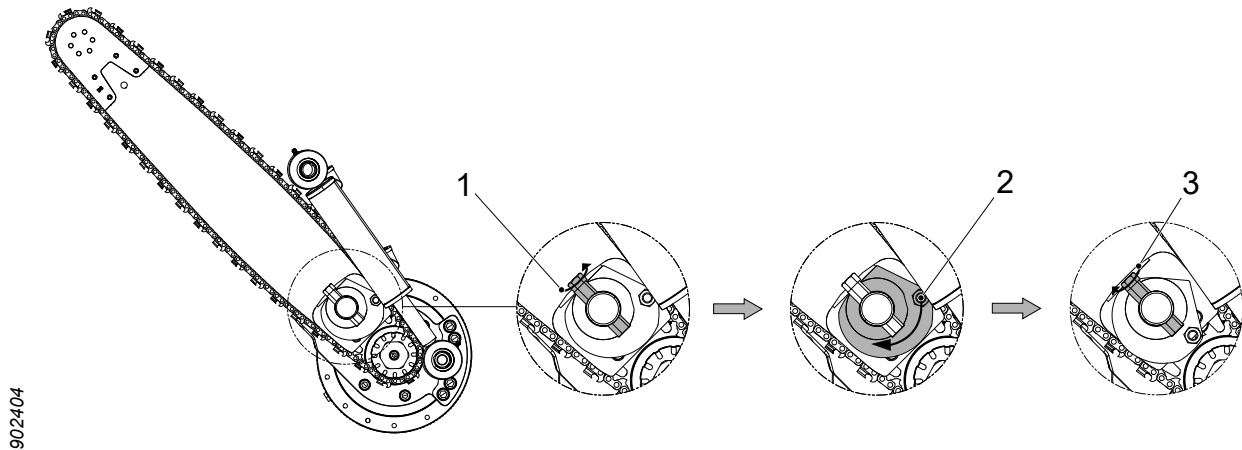
1. Remove the stop screw.
2. Fit the new stop screw.
3. Use tool (1) to set the home position. Adjust the distance between the stop screw and the frame with an Allen key (2).
4. Lock the stop screw with the nut (3).

Important!

The screw at the stop buffer is glued and must not be used to adjust the stop screw.

Saw 218

Tension saw chain

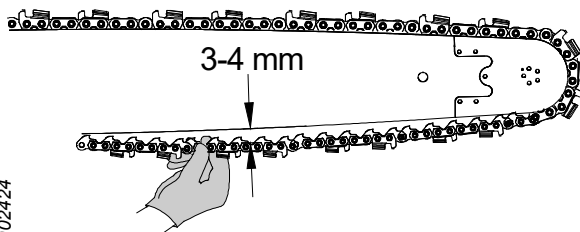


902404

1. Loosen the preload on the saw bar by turning the locking shaft anti-clockwise. The locking shaft does not need to be rotated further than the point where the preload is released.
2. Tension the saw chain by turning the eccentric clockwise so that the saw bar is pressed out against the saw chain.
3. Secure the saw bar by turning the locking shaft clockwise.

Important!

At the end of the work, the saw chain's tension must be released so that the saw chain can shrink when it cools.

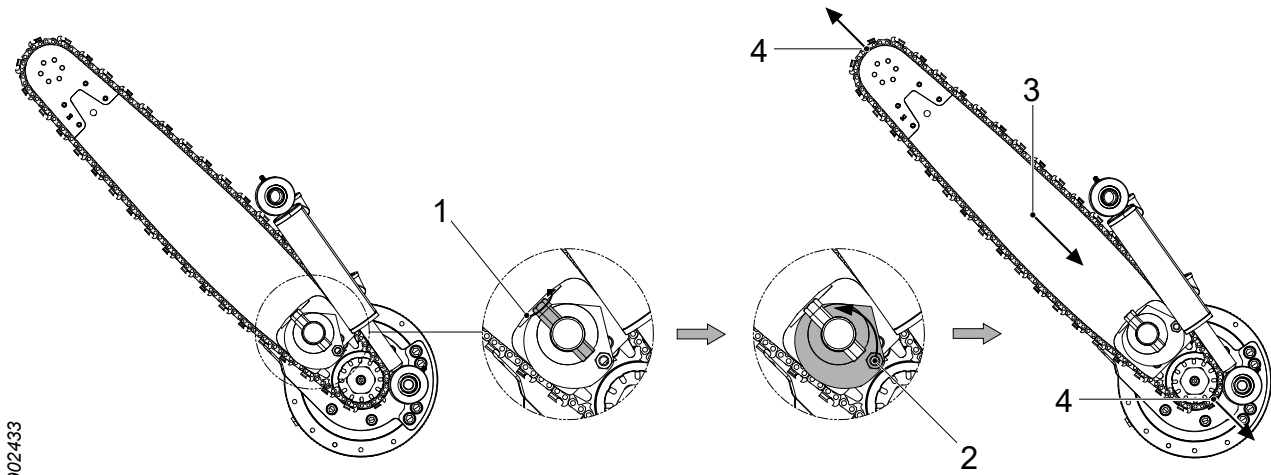


902424

Check the saw chain tension.

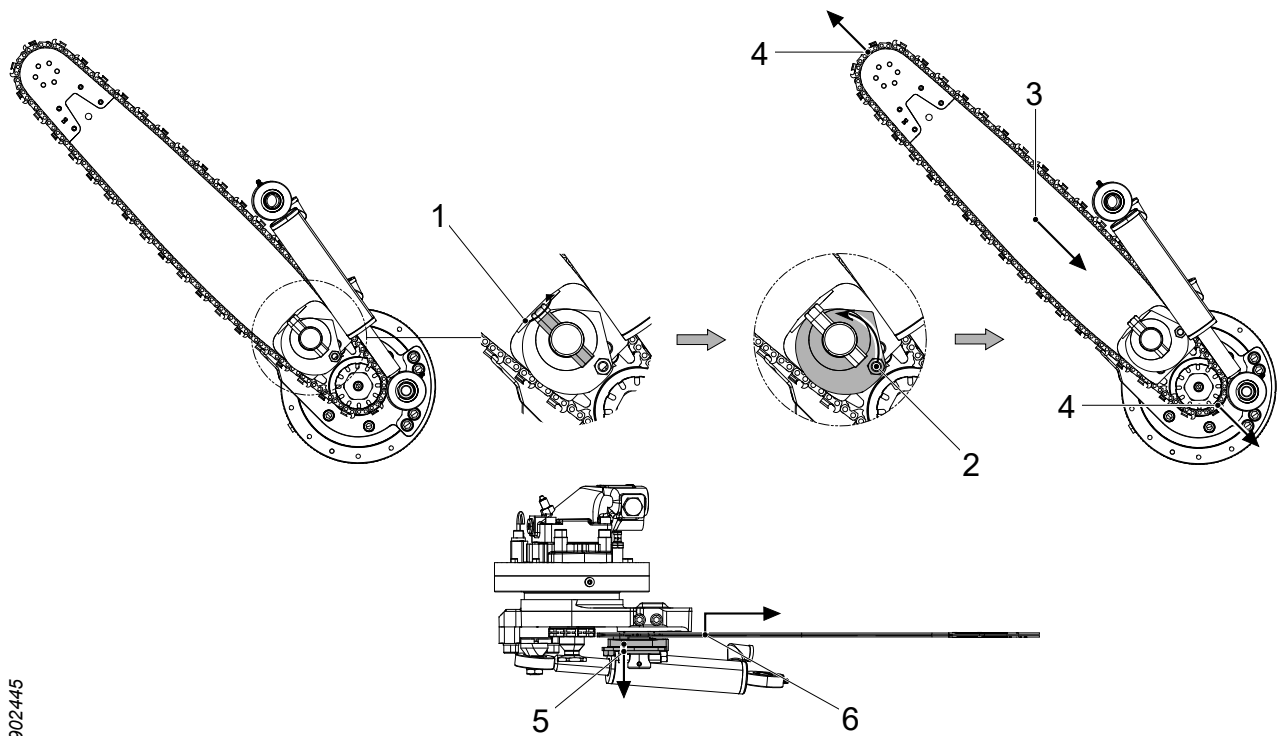
Grip the saw chain in the middle of the saw bar with your thumb and forefinger and pull the saw chain away from the saw bar. The distance that is created between the saw chain and the mating surface on the saw bar should be 3-4 mm.

Replace saw chain



1. Loosen the preload on the saw bar by turning the locking shaft anti-clockwise. The locking shaft does not need to be rotated further than the point where the preload is released.
2. Release the saw chain's tension by turning the excentre anti-clockwise.
3. Push in the saw bar.
4. Disengage the saw chain from saw bar's nose sprocket and the saw chain sprocket.
5. Install a new saw chain.
6. Tension the saw chain according to "Tension saw chain".

Replace saw bar



902445

1. Loosen the preload on the saw bar by turning the locking shaft anti-clockwise. The locking shaft must be rotated so that its flat surface is facing the saw bar.
2. Release the saw chain's tension by turning the excentre anti-clockwise.
3. Push in the saw bar.
4. Disengage the saw chain from saw bar's nose sprocket and the saw chain sprocket.
5. Pull down the thrust washer and the excentre towards the locking shaft in order to release the saw bar.
6. Lift the saw bar so that it is free from the guide pins in the pressure plate and pull out the saw bar.
7. Install a new saw bar, making sure that the pressure plate's guide pins are fitted into the corresponding holes in the saw bar.
8. Turn the locking shaft so that the saw bar is pressed sufficiently firmly into place to allow the saw chain to be installed.
9. Install the saw chain and then tension it according to "Tension saw chain".

Note!

If the saw bar has open grooves for the guide pins, the preload only needs to be released so that the thrust washer is no longer clamping the saw bar.

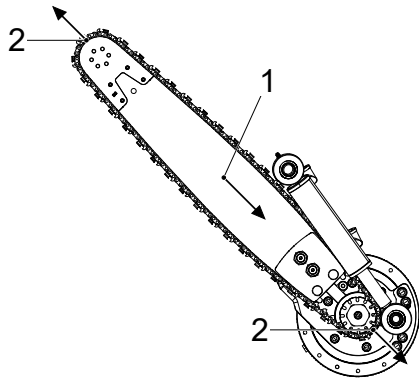
Saw 318

Tension saw chain

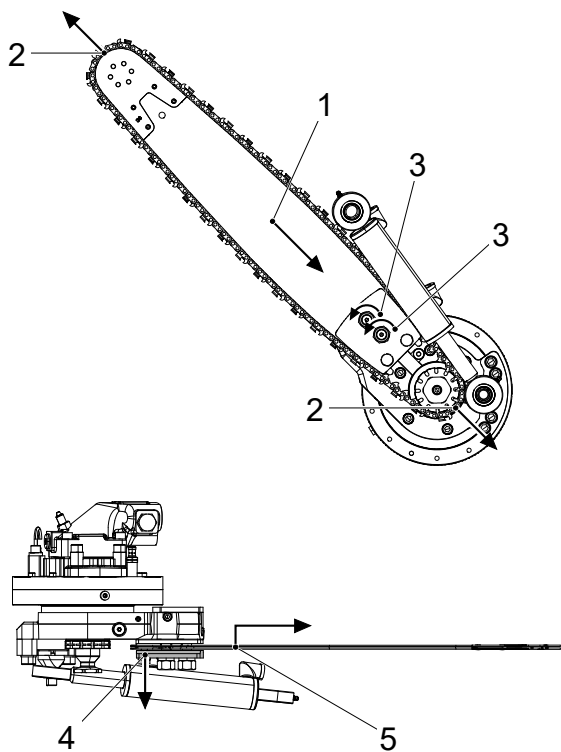
Saw 318 has an automatic saw chain tensioner that tensions the saw chain when the head is supplied with hydraulic pressure.

Replace saw chain

1. Push in the saw bar.
2. Disengage the saw chain from saw bar's nose sprocket and the saw chain sprocket.
3. Install a new saw chain.



902608



902623

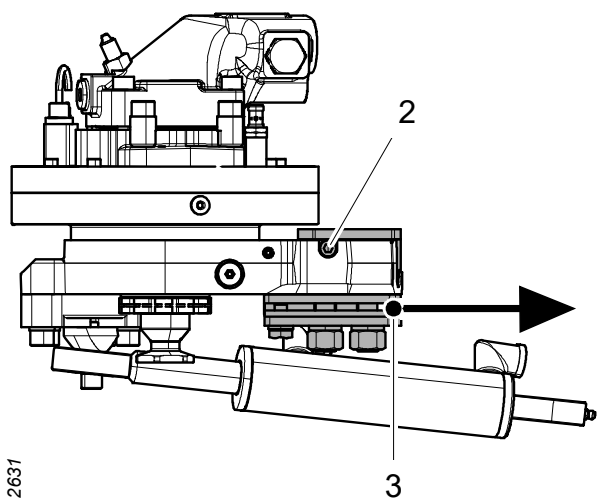
Replace saw bar

1. Push in the saw bar.
2. Disengage the saw chain from saw bar's nose sprocket and the saw chain sprocket.
3. Loosen the nuts in the bar holder. Loosen so that the saw bar is free from the guide pins in the bar holder.
4. Pull down the bar holder's lower plate in order to release the saw bar.
5. Lift the saw bar so that it is free from the guide pins in the bar holder and pull out the saw bar.
6. Install a new saw bar, making sure that the guide pins are fitted into the corresponding holes in the saw bar.
7. Tighten the nuts in the bar holder so that the saw bar is clamped in place.
8. Install the saw chain.

Cleaning behind the bar holder

Important!

Make sure that the spring-loaded pistons within the tensioning pistons remain in place when the bar holder is dismantled.



902631

1. Dismantle the saw bar according to "Replace saw bar".
2. Loosen the two stop screws on the bar mount.
3. Remove the bar holder and gently clean the tracks for the bar holder.
4. Reinstall the bar holder and tighten the stop screws.
5. Install the saw bar according to "Replace saw bar".

Hydraulic system

**Warning!**

The head's hydraulic system is fitted with accumulators. Pressure may remain in the system for some time after the pressure supply has been interrupted.

**Warning!**

Risk of burns! Allow the head and hydraulic oil to cool before performing inspections and maintenance on the head.

**Caution!**

Avoid skin contact with the head's liquids, as they can be harmful. Also avoid inhaling fumes.

Important!

Risk of machine damage. Clean properly when working with the hydraulic system. Debris in the hydraulic system can cause extensive damage.

Park the head in accordance with "Parking in the tilted down position", unless otherwise indicated.

Replacing the hydraulic hose

**Warning!**

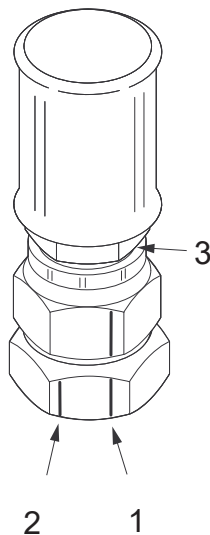
When replacing the hydraulic hose, the new hose must have the same or a higher pressure class.

Hydraulic hoses that are designed to withstand pressures of more than 150 bar must not be installed with reusable hydraulic couplings. Hydraulic couplings that require special processing, such as crimping, are not considered to be reusable hydraulic couplings.

When a hydraulic hose is worn or has failed, it must be replaced according to:

Hydraulic hose with ORFS couplings

1. Start the vacuum pump, if the carrier is fitted with one.
2. Position a collection receptacle under the hydraulic hose to collect hydraulic oil spillage.
3. Clean around the hydraulic couplings.
4. Carefully loosen the hydraulic hose that is to be replaced.
5. Make sure that any pressure disappears and unscrew the hydraulic hose at both ends.
6. Remove the protective plugs from the new hydraulic hose.
7. Lubricate O-rings and seals with oil before assembly.
8. Lubricate the hydraulic hose nut at the rear edge (3), in order to reduce the risk of co-rotation of the hydraulic hose when tightening.
9. Check that the hydraulic hose is protected and that the radius of any bends is as large as possible.
10. Tighten by hand and with a wrench until there is metal contact.
11. Then mark (with a marker pen) the starting point (1) for tightening on the adapter and hydraulic hose nut. Also mark the stopping point (2) on the adapter, 30° or half a wrench flat from the start (1).
12. Tighten the hydraulic hose so that the starting point mark (1) on the hydraulic hose nut is aligned with the stopping point mark (2) on the adapter. Make sure that the hydraulic hose is not twisted. Counterhold the hydraulic hose to protect the O-ring.
13. Wipe away the hydraulic oil spillage.



902697

Hydraulic hose with BSP couplings

1. Start the vacuum pump, if the carrier is fitted with one.
2. Position a collection receptacle under the hydraulic hose to collect hydraulic oil spillage.
3. Clean around the hydraulic couplings.

4. Carefully loosen the hydraulic hose that is to be replaced.
5. Make sure that any pressure disappears and unscrew the hydraulic hose at both ends.
6. Remove the protective plugs from the new hydraulic hose.
7. Lubricate the hydraulic hose nut at the rear edge, in order to reduce the risk of co-rotation of the hydraulic hose when tightening.
8. Check that the hydraulic hose is protected and that the radius of any bends is as large as possible.
9. Tighten by hand and with a wrench until there is metal contact.
10. Tighten the hydraulic hose to a tightening torque according to the table below. Make sure that the hydraulic hose is not twisted.
11. Wipe away the hydraulic oil spillage.

Thread	Tightening torque [Nm]
G 1/8	20
G 1/4	25
G 3/8	40
G 1/2	60
G 5/8	70
G 3/4	115
G 1	140
G 1 1/4	200
G 1 1/2	270
G 2	350

Hydraulic hose with banjo coupling

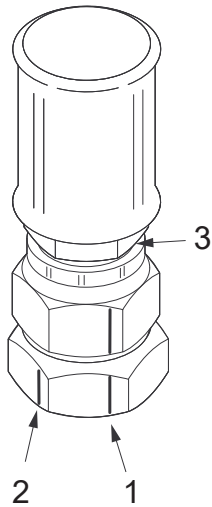
1. Start the vacuum pump, if the carrier is fitted with one.
2. Position a collection receptacle under the hydraulic hose to collect hydraulic oil spillage.
3. Clean around the hydraulic couplings.
4. Carefully loosen the hydraulic hose that is to be replaced.
5. Make sure that any pressure disappears and unscrew the hydraulic hose at both ends.
6. Remove the protective plugs from the new hydraulic hose.

7. Check that the hydraulic hose is protected and that the radius of any bends is as large as possible.
8. Replace the sealing element.
9. Tighten by hand and with a wrench until there is metal contact.
10. Tighten the hydraulic hose to a tightening torque according to the table below. Make sure that the hydraulic hose is not twisted.
11. Wipe away the hydraulic oil spillage.

Thread	Tightening torque [Nm]
G 1/8	10
G 1/4	20
G 3/8	45
G 1/2	70
G 3/4	130

Hydraulic hose with JIC coupling

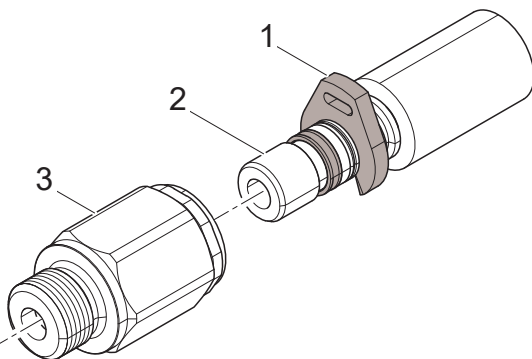
1. Start the vacuum pump, if the carrier is fitted with one.
2. Position a collection receptacle under the hydraulic hose to collect hydraulic oil spillage.
3. Clean around the hydraulic couplings.
4. Carefully loosen the hydraulic hose that is to be replaced.
5. Make sure that any pressure disappears and unscrew the hydraulic hose at both ends.
6. Remove the protective plugs from the new hydraulic hose.
7. Lubricate the hydraulic hose nut at the rear edge (3), in order to reduce the risk of co-rotation of the hydraulic hose when tightening.



902788

8. Check that the hydraulic hose is protected and that the radius of any bends is as large as possible.
9. Tighten by hand and with a wrench until there is metal contact.
10. Then mark (with a marker pen) the starting point (1) for tightening on the adapter and hydraulic hose nut. Also mark the stopping point (2) on the adapter, as shown in the table below.
11. Tighten the hydraulic hose so that the starting point mark (1) on the hydraulic hose nut is aligned with the stopping point mark (2) on the adapter. Make sure that the hydraulic hose is not twisted. Counterhold the hydraulic hose to protect the coupling.
12. Wipe away the hydraulic oil spillage.

Thread	Wrench flat	Degrees from the start
7/16"-20 UNF	2	120°
1/2"-20 UNF	2	120°
9/16"-18 UNF	2	120°
3/4"-16 UNF	2	120°
7/8"-14 UNF	1,5	90°
1 1/16"-12 UN	1	60°
1 5/16"-12 UN	1	60°
1 5/8"-12 UN	1	60°
1 7/8"-12 UN	1	60°
2 1/2"	1	60°



902826

Hydraulic hose with WEO coupling

1. Start the vacuum pump, if the carrier is fitted with one.
2. Position a collection receptacle under the hydraulic hose to collect hydraulic oil spillage.
3. Clean around the hydraulic couplings.
4. Use a screwdriver to remove the mounting stop (1) on the defective hydraulic hose.
5. Press the nipple (2) all the way into the hydraulic coupling (3) and then pull out the hydraulic hose.
6. Remove the protective plugs from the new hydraulic hose.

7. Check that the hydraulic hose is protected and that the radius of any bends is as large as possible.
8. Install the new hydraulic hose by pressing in the nipple (2) in the hydraulic coupling (3).
9. Wipe away the hydraulic oil spillage.

Inspection and replacement of accumulators



Warning!

Inspection of accumulators may only be carried out by technicians possessing the requisite knowledge.

To replace accumulator:

1. Clean around the hydraulic hose coupling and the accumulator.
2. Loosen the hydraulic hose to the accumulator according to "Replacing the hydraulic hose".
3. Unscrew the defective accumulator.
4. Screw the new accumulator into place.
5. Screw back the hydraulic hose according to "Replacing the hydraulic hose".

Pressure check



Danger!

Inspecting and adjusting pressure settings requires a person to remain within the reach of the head when the head is pressurised.

For this reason, this work may only be carried out by people who are very familiar with the function and design of the head.

The person in the carrier's cab must be very familiar with the operation of both the carrier and the head.



Warning!

When connecting and disconnecting the pressure gauge, the head's hydraulic system must be depressurised.



Warning!

The head's hydraulic system is fitted with accumulators. Pressure may remain in the system for some time after the pressure supply has been interrupted.

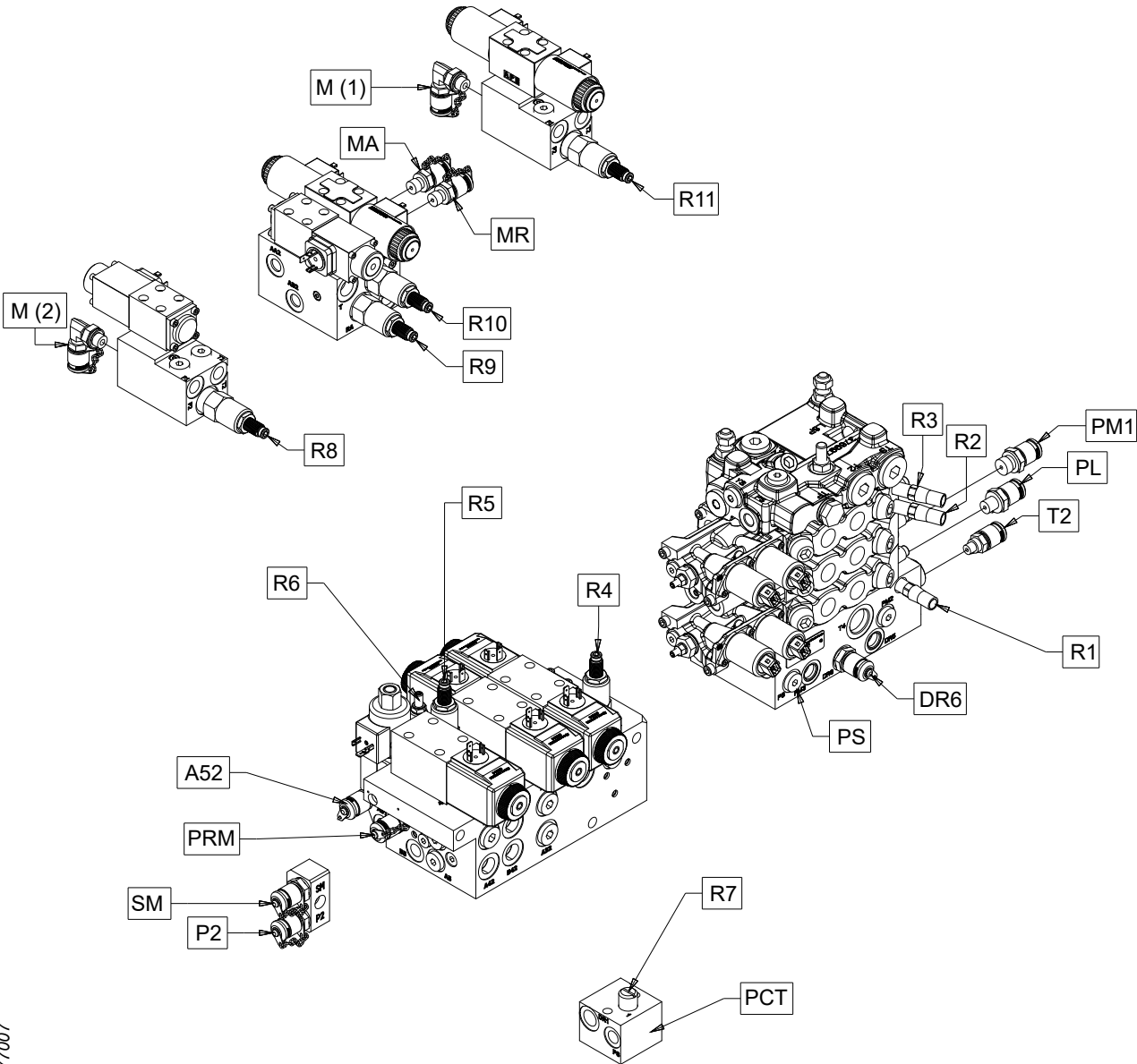
Inspection and adjustment of the pressure setting

The settings apply at a hydraulic oil temperature of 40°C, a return pressure of 0 bar and a drainage pressure of 0 bar.

1. Warm up the hydraulic system to the specified temperature.
2. Run out the crane as far as possible in the carrier's most stable direction. Park the head in accordance with "Parking in the tilted down position".
3. Dismantle the guards required to access the measurement point that is to be used.
4. Connect a pressure gauge to the measurement point associated with the function to be checked.
5. The person reading off the pressure gauge must be located outside the reach of the carrier and the head.
6. Start the carrier. Lift the head off the ground.
7. Pressurise the head to a pressure at least 20 bar higher than the pressure that is to be set. Checking of certain functions requires a special procedure, see "Special Instructions".

- 8. Read off the set pressure on the pressure gauge and adjust if necessary.
- 9. Depressurise the hydraulic system and dismantle the pressure gauge.

Pressure settings



2477007

Inspections and maintenance

Function	Measurement point	Valve	Setting [bar]		Instruction
			Nominal	Max.	
Main pressure	PM1				Setting the main pressure.
Return pressure	T2				Setting the main pressure.
Drainage pressure	DR6				Setting the main pressure.
Servo pressure	PS		35±2		Checking servo pressure.
Auxiliary function pressure (Felling link "tilt" up/down) (Lower delimiting knife close/open) (Colour marking)	P2	R1	160-5	160	
Right/left delimiting knife close	PL	R2	160-5	160	Checking the function connected to "PL".
Right/left delimiting knife open	PL	R3	70±5	75	Checking the function connected to "PL".
Bar feed Saw 218/318 (not True-Cut)	SM	R4	90±5	100	Setting the bar feed pressure.
Feed roller arms	PRM	R5	115±5	160	Adjusting the feed roller arm pressure.
Measuring wheel out	A52	R6	80±5	100	
Saw chain tensioning pressure Saw 318	PCT	R7	15±2	20	Check of saw chain tension pressure
Rotator control (without multi-log handling unit)	M (1)	R11	180±5		
Rotator control (with multi-log handling unit)	MR	R10	180±5		
Multi-log handling unit (without rotator control)	M (2)	R8	115±5	120	
Multi-log handling unit (with rotator control)	MA	R9	115±5	120	

Special Instructions

Checking and adjustment of certain pressure settings requires a special procedure according to the instructions below.

Setting the main pressure

Checking and adjustment of the main, return and drainage pressure must be carried out by technicians possessing the requisite knowledge when servicing the head.

Checking servo pressure

The plug in port “PS” is replaced by a measurement outlet.

Checking the function connected to “PL”

The function that is to be checked must be activated in order to read off the pressure. The function must be activated throughout the period when the check is being performed. Take care to activate only one function at a time.

Setting the bar feed pressure

The bar feed pressure must be adjusted according to the prevailing conditions (weather, tree species, etc.) to ensure optimum performance. The nominal setting is the recommended default setting.

Adjusting the feed roller arm pressure

The feed roller arm pressure must be set as low as possible without the feed rollers slipping while feeding. The nominal setting is the recommended setting for steel rollers.

Check of saw chain tension pressure

Hose connected to port PCT is disconnected and replaced with measurement outlet. The saw chain tension pressure is only checked if a faulty pressure level is suspected. The pressure is adjusted by fitting washers inside the valve cap.

Rotator

Important!

Risk of machine damage. The rotator manufacturer recommends replacing the rotator's axial bearings every 2,000 hours. Contact the rotator manufacturer for more information.

Circulating hydraulic oil in the rotator

The hydraulic oil in the rotator circulates slowly and consequently can be of poor quality. To add new hydraulic oil to the rotator:

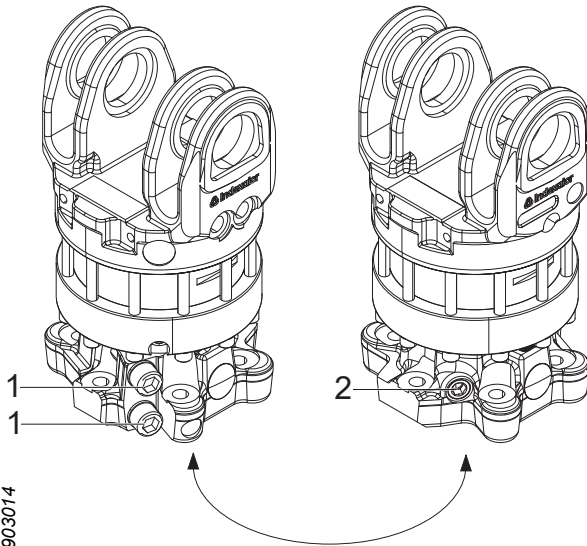
1. Grip an upright tree so that the head cannot rotate.

2. Operate the rotator's right function for at least 3 minutes.

Retightening of the rotator's clamp and locking screw

Retighten the rotator's clamp (1) to 600 Nm.

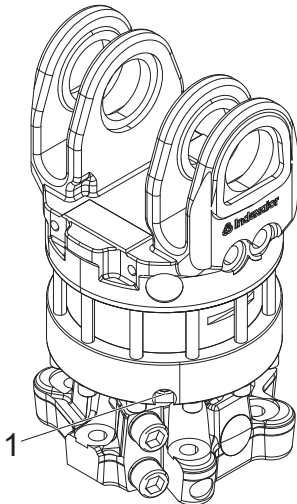
Retighten the rotator's locking screw (2) to 120 Nm.



Cleaning the rotator's magnetic plug

Cleaning the rotator's magnetic plug (1).

1. Remove the magnetic plug (1) from the rotator.
2. Clean the magnetic plug (1).
3. Install the magnetic plug (1).



Extra equipment

During inspection and maintenance of additional equipment. Park the head in accordance with "Parking in the tilted up position", unless otherwise indicated.

Multi-tree handling

Check that the springs for the outer arms are intact. Replace damaged springs.

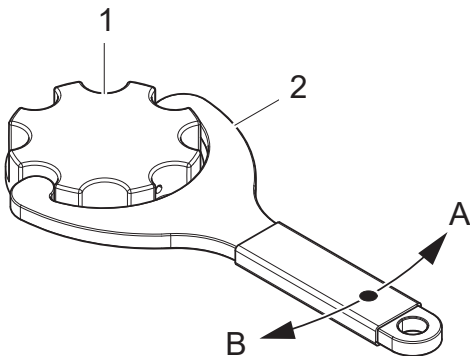
Colour marking equipment

Topping up with marking dye

Check the marking dye levels and top up if necessary.

- 1. Tank filler cap
- 2. Tool for tank filler cap

- A Open
- B Close



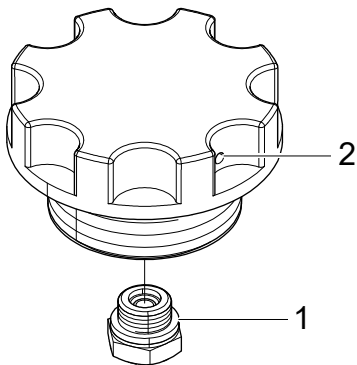
952846

Important!

Do not use salt-based marking dye. Salt increases the risk of corrosion occurring in the colour marking system.

Cleaning non-return valve in tank filler cap

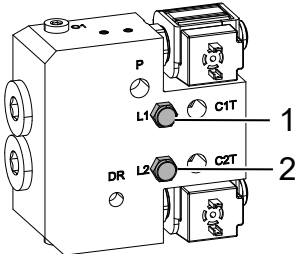
- 1. Remove the non-return valve (1) in the tank filler cap and clean the non-return valve (1) with a cleaning liquid according to the dye manufacturer's recommendations.
- 2. Clean the duct (2) in the tank filler cap with a cleaning liquid according to the dye manufacturer's recommendations.
- 3. Reinstall the non-return valve (1).



903060

Inspecting the colour marking pump

Remove the guard for the colour marking pump and check for leaks at leak holes L1 (1) and L2 (2).



903064

Important!

In the event of leakage of hydraulic oil or marking dye, troubleshooting and repair of the colour marking pump must be carried out by technicians possessing the requisite knowledge.

Cleaning the colour marking system

1. Check the strainers at the outlet of the colour tanks and clean as necessary.
2. Clean the non-return valves in the tank filler caps according to "Cleaning non-return valve in tank filler cap".
3. Add the cleaning fluid recommended by the dye manufacturer in the colour tanks.
4. Activate the colour marking functions until all cleaning fluid has passed through the system.
5. Top up with new marking dye.

In the event of long breaks (several weeks)

If colour marking is not going to be used regularly:

1. Clean the colour marking system according to "Cleaning the colour marking system" up to and including point "4".
2. Pour in a few decilitres of hydraulic oil and activate the colour marking functions 5-10 times so that the colour marking system is filled with hydraulic oil.
3. Before the next use, activate the colour marking functions until all hydraulic oil has passed through the system.
4. Top up with new marking dye.

Find End

Make sure there is no debris in the way of the laser sensor's scanning area. Clean if necessary.

Important!

Replacement and troubleshooting of the laser sensor must be carried out by technicians possessing the requisite knowledge.

Snow cover

Park the head in accordance with “Parking in the tilted down position”.

Check that the snow cover is secure and intact.

Tighten loose screws and replace the snow cover if it is broken or damaged.

Sawdust guard

Check that the sawdust guard is secure and that chain links and ribs are intact.

Tighten loose screws and replace the sawdust guard if chain links or ribs are broken or damaged.

Repair welding

Repair welding may only be carried out by technicians possessing the requisite knowledge according to the welding instructions supplied by Log Max AB .

Important!

During welding work on the head, there is a considerable risk of electric components being destroyed.

Maintenance schedule

Lubrication schedule, 8 h

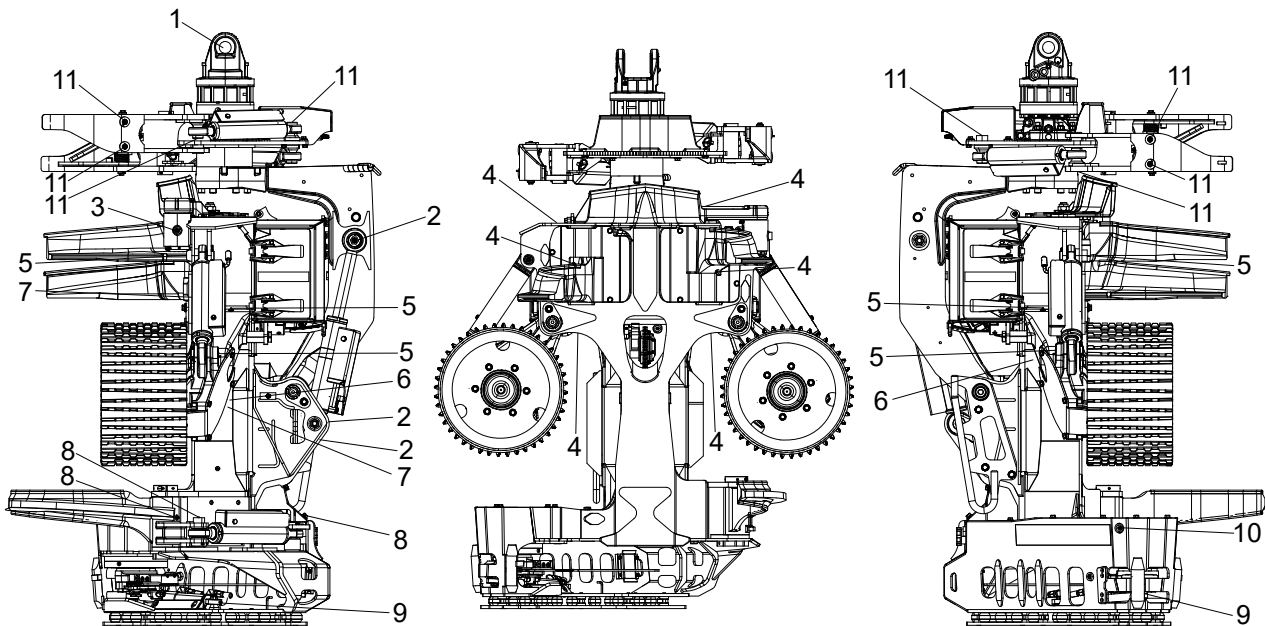
All lubrication points on the head are accessible when the head is parked according to "Parking in the tilted up position".

Important!

Grease requirements and recommendations can be found under "Technical data"

Note!

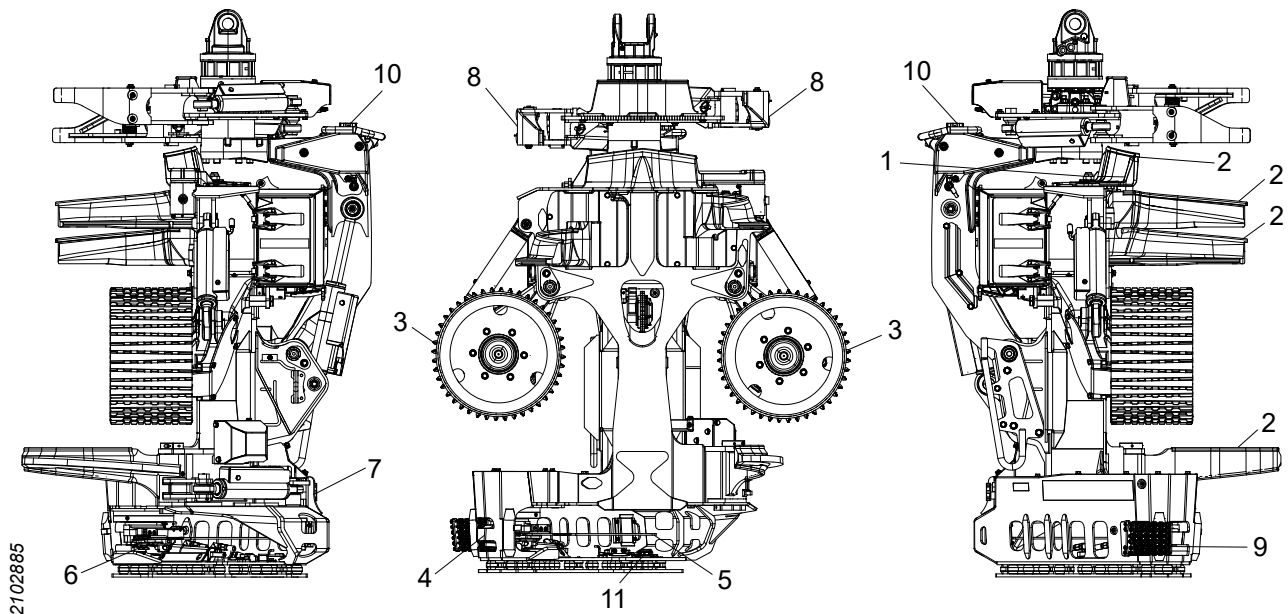
To facilitate lubrication of the delimiting knives, it may be beneficial not to open the delimiting knives fully when parking the head. This is so that the position of the grease nipples can be adjusted slightly by pulling the knives.



2115954

Pos.	Lubrication point	Comment	Number
1	Rotator pin		1
2	Felling link with cylinder		3
3	Upper delimiting knife		1
4	Right and left delimiting knives with cylinders		6
5	Feed roller arms with cylinders		6
6	Measuring wheel arm	Left and right side	2
7	Measuring wheel cylinder		2
8	Lower delimiting knife with cylinder		3
96 9	Bar feed cylinder		2
10	Saw unit	Bearing	1

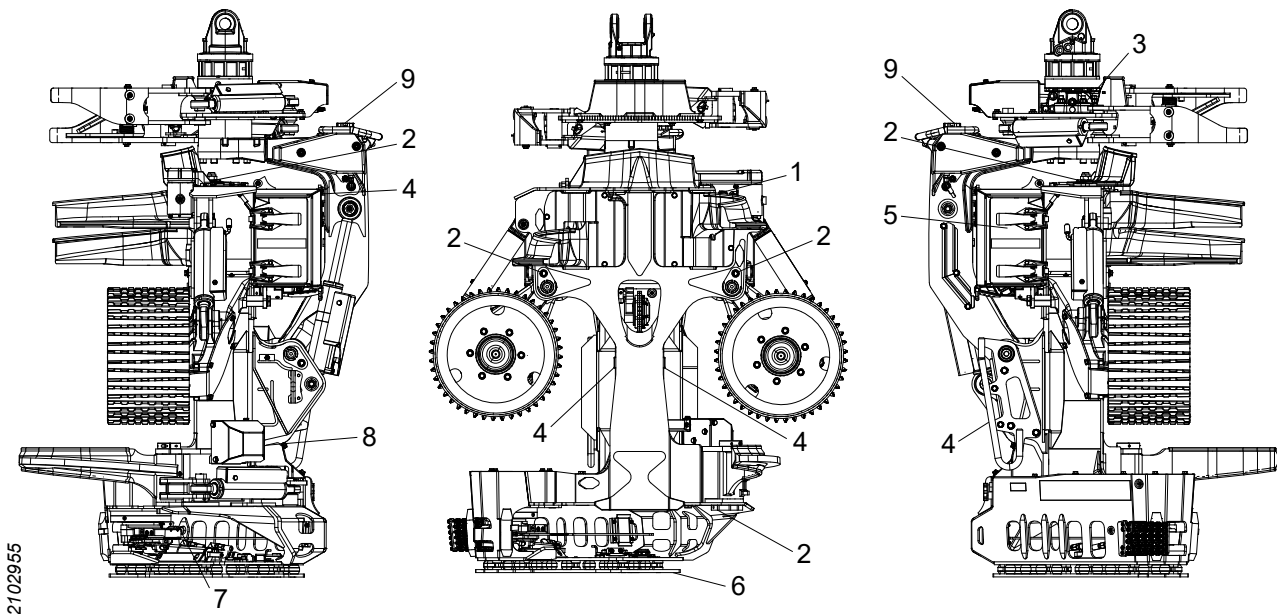
Maintenance schedule, 8 h



Pos.	Maintenance points	Action	Page
	Head	Rough cleaning	56
	Saw chain lubrication	Function test	72
	Hoses and cables	Check, replace if necessary	80
	Tension belts	Check, tension/replace if necessary	
1	Upper delimiting knife	Checking and adjusting the upper delimiting knife's screw and nut in the groove	65
2	Delimiting knives (all)	Check edges and sharpen if necessary	60
3	Feed roller	Inspecting feed rollers	65
4	Chain shot guard	Check, replace if necessary	71
5	Saw bar and saw chain	Check, replace if necessary*	72, 72
6	Saw chain sprocket and saw chain catcher	Check, replace if necessary	73
7	Saw chain oil	Top up saw chain oil*	71
8	Multi-log handling unit	Check springs, replace if necessary	90
9	Sawdust guard	Check, replace if necessary	93
10	Colour marking dye	Check level and top up if necessary*	91
11	Find End	Cleaning in front of laser*	92

* May need to be performed more frequently than every 8 hours.

Maintenance schedule, 50 h

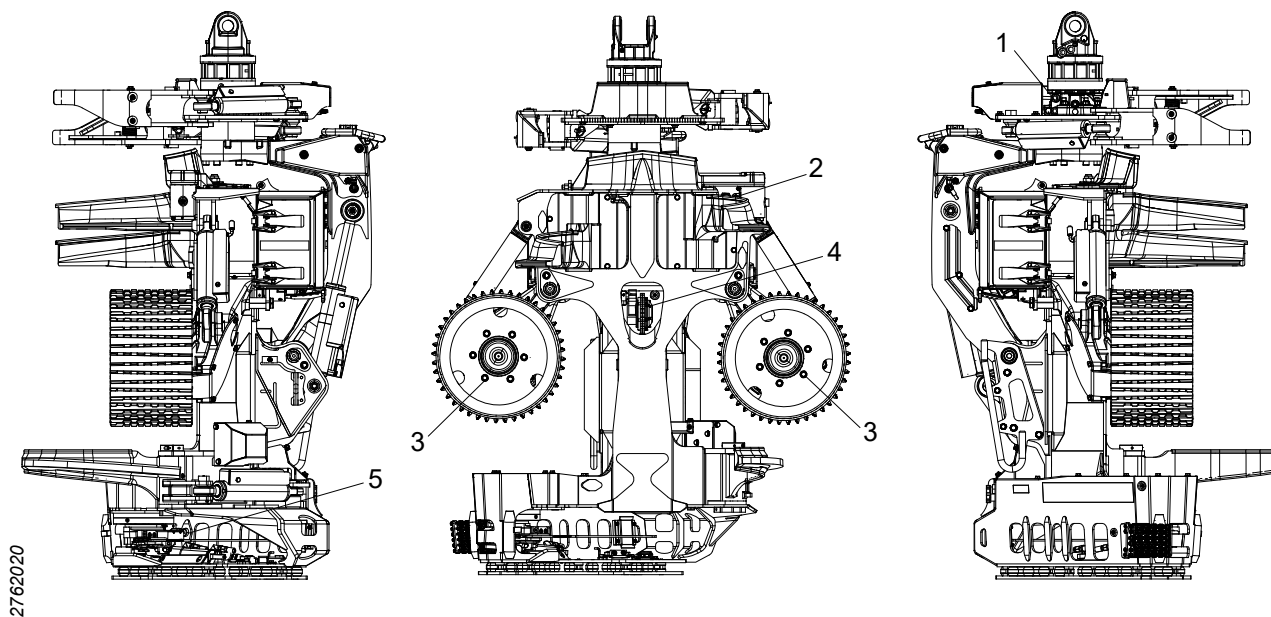


Pos.	Maintenance points	Action	Page
	Head	Make sure that the head does not have any cracks	56
	Rotator	Circulate hydraulic oil in the rotator	89
	Cotter pins	Check, replace if necessary	
	Protection	Checking screws, tightening	109
	Electrical wiring	Inspecting electrical wiring	58
	Diameter measurement unit	Inspection	67
1	Upper delimiting knife	Upper delimiting knife's spring and its preload	62
2	Roller arms, delimiting knives, felling link	Checking locking screws for shafts	59
3	Rotator	Checking screws and nuts, tightening	109
4	Roller arms, felling link	Check stop buffers, replace if necessary	57
5	Protective cover	Inspecting and adjusting the protective cover and over-centre latches	58
6	Damped protective plate	Check screws and rubber springs	57
7	Saw 318	Clean behind the bar holder	79
8	Colour marking equipment	Inspecting the colour marking pump	91
9	Colour marking equipment	Cleaning non-return valves in tank filler caps	91

Maintenance schedule, 250 h

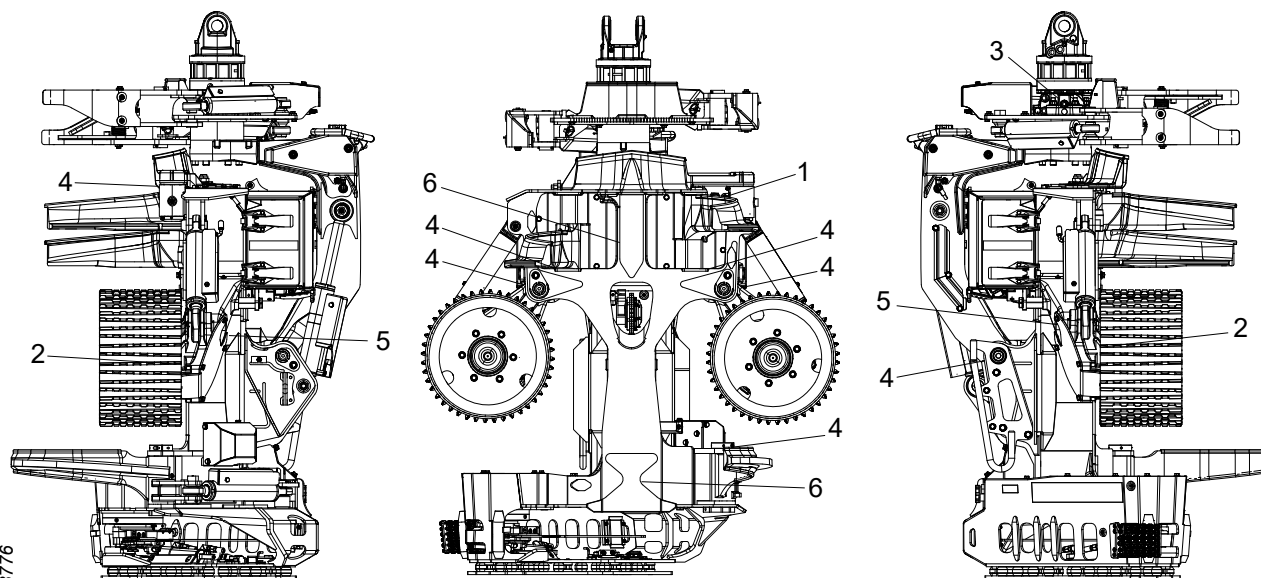
Important!

After the first 250 operating hours, all maintenance measures must be performed.



Pos.	Maintenance points	Action	Page
	Hydraulic system	Pressure check	86
1	Rotator	Retightening of the rotator's clamp and locking screw	90
2	Upper delimiting knife	Inspection and adjustment of sensors	64
3	Feed roller	Tightening nuts	65
4	Length measurement unit	Inspecting the length measurement unit	68
5	Saw unit	Checking the stop screw	74

Maintenance schedule, 1,000 h



2333776

Pos.	Maintenance points	Action	Page
1	Upper delimiting knife	Basic setting of sensors	64
2	Feed roller motors	Tightening, screws	66
3	Rotator	Cleaning the rotator's magnetic plug	90
4	Roller arms, delimiting knives, felling link	Inspecting axial play	60
5	Wear plates	Inspecting wear plates	58

Service information

Servicing of the head must be carried out by technicians possessing the requisite knowledge according to the enclosed service manual.

Electrical and hydraulic diagrams can be obtained upon request from Log Max AB.

Troubleshooting

Fault

The upper delimiting knife tends to be lifted from the stem or cuts into the stem, despite correct sharpening.

No saw chain oil is reaching the saw bar.

Problems with diameter measurement.

Problems with length measurement.

The feed unit does not feed the log through the head.

Probable fault - Action

- The spring and its preload need to be checked and adjusted if necessary, see “Upper delimiting knife’s spring and its preload”.
- Saw chain oil has run out. Top up with saw chain oil.
- Clogged strainers. Clean the strainers in the system.
- Clogged ducts. Clean the ducts in the bar mount and the saw bar.
- Incorrect settings in the control system.
- Clogged vent hose or its filter.
- Clogged or defective lubricating pump.
- Incorrectly set hydraulic pressure.
- Defective accumulators, see “Inspection and replacement of accumulators”.
- Worn or oval feed rollers.
- Damaged diameter sensor.
- Cable breakage to the diameter sensor.
- Incorrectly set hydraulic pressure.
- Defective accumulators, see “Inspection and replacement of accumulators”.
- Incorrect setting of upper delimiting knife sensor.
- Incorrect calibration of the length measurement unit.
- Damaged sensor.
- Cable breakage to the length measurement sensor.
- Play in the length measurement unit.
- Check the home position sensor in the saw unit.

Technical data

Dimensions and weight

Dimensions and basic weight.

Basic weight*	777 kg
Min. width	1035 mm
Max. width	1185 mm
Height to upper delimiting knife	1382 mm
Height to felling link	1426 mm
Max. tree diameter, DBH	350 mm
Max. cutting diameter	580 mm
Min. opening between the feed rollers, V-steel	12 mm
Max. opening between the feed rollers, V-steel	460 mm
Max. opening between delimiting knives	517 mm

*Basic weight refers to an operable head with feed roller V-steel Hard Grip, saw 218, dampened protective plate and filled with oils.

Weight of extra equipment

Rotator Indexator AV12S	+56 kg
Rotator Indexator H132	+63 kg
Feed roller, V-steel Soft Grip	+1 kg
Fixed protective plate	+0 kg
Hose holder	+2 kg
Saw 218 True-Cut	+3 kg
Saw 318	+1 kg
Saw 318 True-Cut	+5 kg
Saw 318, F12-30	+3 kg
Four-point measurement	+4,5 kg
Colour marking, two colours (including 5.8 l dye)	+31 kg
Multi-log handling unit	+85 kg
Multi-log handling unit with rotator control	+89 kg
Snow cover	+1,5 kg
Built-in rotator control	+7 kg
Find End	+1,5 kg
Stump treatment	+1 kg

Noise level

LWA = 110 dB (A)*

* The noise level is measured according to EN ISO 3744:2009 with a margin of error of ± 2 dB(A) according to EA-4/16:2003. The noise level is measured when the head's saw motor is activated without any load at the maximum permitted speed.

Temperature

Do not use the head if the outside temperature is below -35°C .

Hydraulics

Hydraulic oil requirements

Hydraulic oil according to DIN 51524			HL or HLP
Purity according to ISO 4406			15/13/11
Viscosity	Normal work	min.	15 mm ² /s
		nominal	30 mm ² /s
	Start-up	max.	380 mm ² /s
Hydraulic oil temperature	Normal work	min.	20°C
		max.	70°C

The head has been test-operated with Q8 Hummel 46 before delivery.

General recommendations

Max. engine power in carrier	135 kW
Max. hydraulic power, from hydraulic pump	111 kW
Max. hydraulic pressure, at hydraulic pump	280 bar
Max. hydraulic oil flow	240 l/min

Minimum requirements for saw unit with True-Cut (all feed roller motors)

Min. engine power in carrier	103 kW
Min. hydraulic power, from hydraulic pump	84 kW
Min. hydraulic pressure, at hydraulic pump	250 bar
Lowest standby pressure	35 bar
Min. hydraulic oil flow	200 l/min

Minimum requirements for saw unit without True-Cut (all feed roller motors)

Min. engine power in carrier	67 kW
Min. hydraulic power, from hydraulic pump	55 kW
Min. hydraulic pressure, at hydraulic pump	230 bar
Min. hydraulic oil flow	140 l/min

Saw chain speed

The max. saw chain speed is:

- 40 m/s for a saw chain with 0.404" pitch.

If the saw chain manufacturer prescribes a lower saw chain speed than that specified above, the saw chain manufacturer's regulations must be followed.

If components are replaced which can alter the saw unit's saw chain speed, the speed of the saw motor must be checked so that the prescribed saw chain speed is not exceeded.

Lubricant

Important!

Never mix different types of lubricant unless it is expressly stated that this may take place. Each lubricant has its own additive which gives it specific properties. When different lubricants are mixed, these properties can be altered, resulting in a breakdown.

Requirements regarding saw chain oil

To achieve good lubrication properties in saw unit and pump, a saw chain oil is required that works in varying climates while retaining function. The saw chain oil must be non-viscous, have good adhesion and satisfactory lubrication effect on saw chain and saw bar, at the same time as strainers and lubricating ducts do not become clogged.

Using a saw chain oil with too high a viscosity number leads to the saw chain oil becoming viscous at low temperatures, which results in a deterioration in the efficiency of the lubricating pump. These problems result in wear and tear on the lubricating pump and saw unit, which in turn can lead to recurring malfunctions. This may continue even after changing to a less viscous saw chain oil.

Use a bio-oil with an ISO VG number of between 32 and 68.

The viscosity index must be higher than 180 and adapted to the prevailing climate.

The lubricating pump has been test-operated with Q8 T65 75W-90 before delivery.

Lubricating grease

The lubricating grease used must have good lubricating properties and good adhesion in the event of:

- low rpm.
- high load.
- oscillating movements.

- powerful vibrations.
- shock loads and frequent starts.
- the temperature that the bearing can reach during operation.

The lubricating grease must not contain sulphides such as molybdenum disulphide or zinc sulphide. The lubricating grease must also not contain graphite as an additive.

For optimum function and service life, it is also recommended that the grease that is used:

- has rust-proofing properties.
- has good water-repellent capability.
- is biodegradable.
- is suited to the prevailing climate.

The head shafts are lubricated with Q8 Rembrandt EP2 before delivery.

The head bearings are lubricated with SKF LGLT 2 before delivery.

General tightening torques

The following general tightening torques apply unless otherwise stated.

Tightening torque for oiled steel screw joints.				
		Class according to SS-ISO 898-1		
Thread	Pitch [mm]	8.8 [Nm]	10.9 [Nm]	12.9 [Nm]
M3	0,50	1,2	1,7	2,1
M4	0,70	2,9	4	4,9
M5	0,80	5,7	8,1	9,7
M6	1,00	9,8	14	17
M8	1,25	24	33	40
M10	1,50	47	65	79
M12	1,75	81	114	136
M14	2,00	128	181	217
M16	2,00	197	277	333
M18	2,50	275	386	463
M20	2,50	385	541	649
M22	2,50	518	728	874
M24	3,00	665	935	1120
M27	3,00	961	1350	1620
M30	3,50	1310	1840	2210
M33	3,50	1770	2480	2980
M36	4,00	2280	3210	3850

General tightening torques with Nord-Lock washers

Tightening torques for oiled steel screw joints with Nord-Lock washers.				
		Class according to SS-ISO 898-1		
Thread	Pitch [mm]	8.8 [Nm]	10.9 [Nm]	12.9 [Nm]
M3	0,50	1,7	2	2,2
M4	0,70	3,8	4,5	5,1
M5	0,80	7,5	8,9	10
M6	1,00	13,1	15,5	17,4
M8	1,25	32	37	42
M10	1,50	62	73	82
M12	1,75	107	126	142
M14	2,00	170	201	226
M16	2,00	260	307	345
M18	2,50	364	430	483
M20	2,50	510	602	676
M22	2,50	696	821	921
M24	3,00	878	1036	1165
M27	3,00	1284	1514	1700
M30	3,50	1750	2064	2318
M33	3,50	2360	2783	3124
M36	4,00	3043	3589	4029

Log Max

4000T

User Manual
in Original

240075-
en

Log Max

4000T

User Manual
in Original

240075-
en

Log Max

4000T

User Manual
in Original

240075-
en

Log Max

4000T

User Manual
in Original

240075-
en

Log Max

4000T

User Manual
in Original

240075-
en

Log Max

4000T

User Manual
in Original

240075-
en

Log Max

4000T

User Manual
in Original

240075-
en