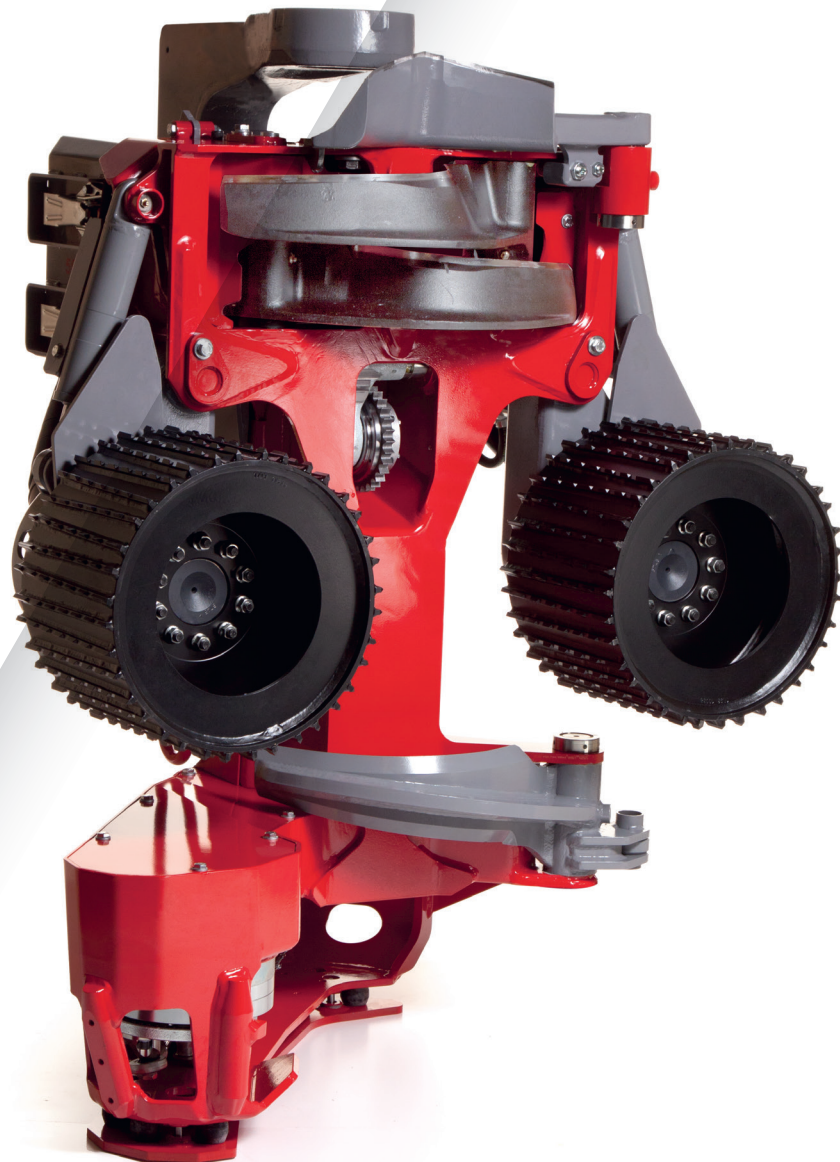


Log Max **5000D**

Spare part manual



www.logmax.com

Ver. 1.4



Stationsvägen 12 - 77013 Grangärde - SWEDEN
Phone: +46 240 59 11 00
info@logmax.com www.logmax.com

Applies to serial number : 150502-

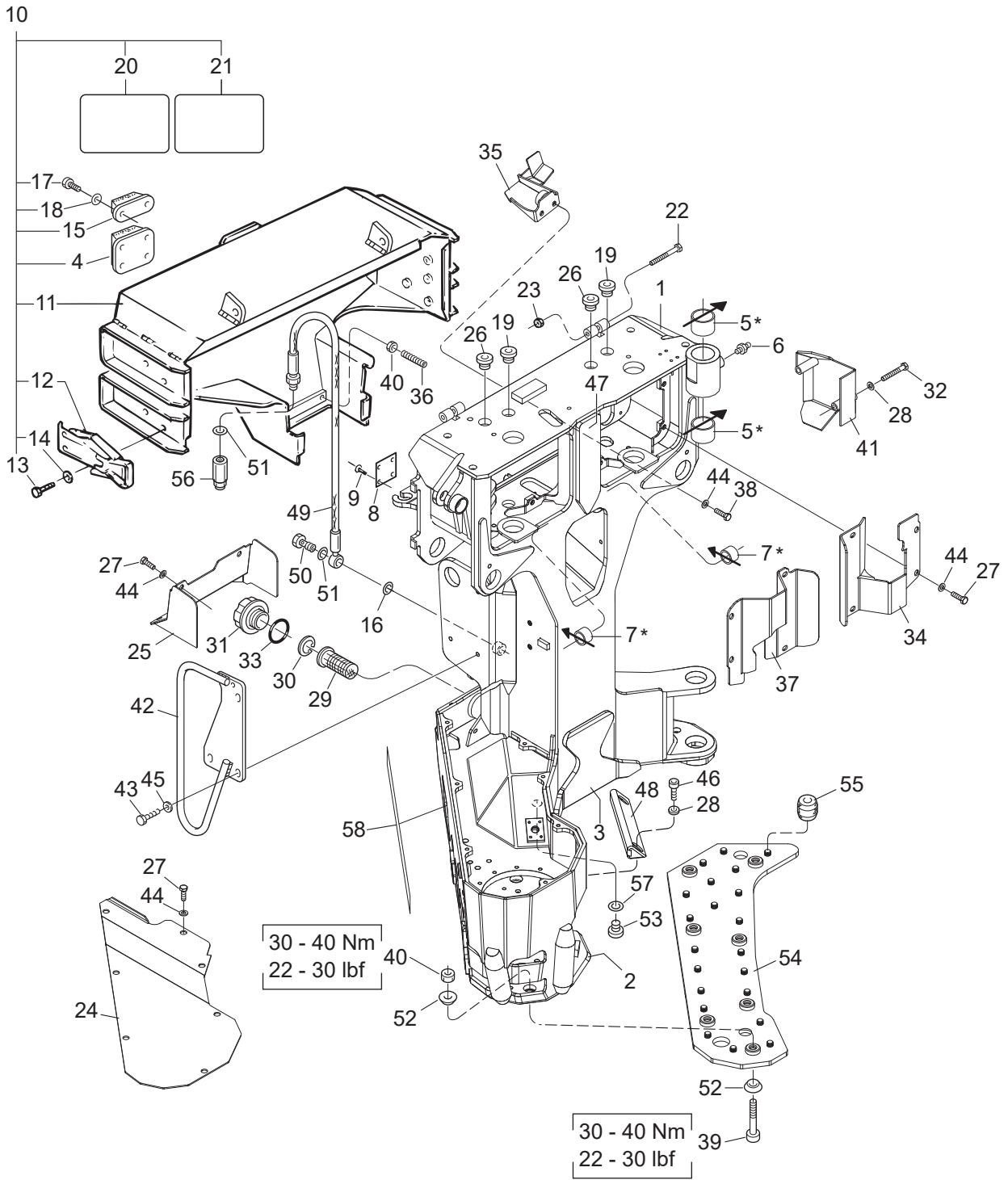
Contents

1. Frame and protection	9
Frame with protective cover.....	11
2. Delimiting unit	15
Delimiting unit.....	17
Lower delimiting knife	19
Upper delimiting knife, analog knife sensor.....	21
Upper delimiting knife, digital knife sensor	23
3. Feeding unit.....	25
Feed roller arms #2.....	27
Feed roller motors #2.....	31
Feed roller arms.....	33
Feed roller motors.....	37
Feed rollers, V-Steel	39
Feed rollers, eucalyptus 45°	41
4. Measuring	43
Measuring wheel #2.....	45
Hose kit measuring wheel #2.....	47
Length measuring arm #2	49
Diameter measuring	51
Measuring wheel.....	53
5. Felling unit.....	57
Felling link.....	59
6. Saw unit	63
Saw unit 98B.....	65
Saw unit 98XL.....	69
Saw hydraulics 98B & 98XL	73
Manifold.....	75
Flow control valve.....	77
Chain lubrication - Easy Greasy	79
Easy Greasy pump.....	81
7. Rotators	83
Rotator AV12S	85
Rotator H152D.....	87
Rotator control, valve.....	89
Directional valve.....	91
Electrical system	93
8. Accessories	95
Accumulation kit.....	97
Cylinder Ø40/25-150	101
Rod kit	103
Electrical system, accumulation kit	105
Manifold.....	107
Accumulation kit with rotator control	109
Electrical system.....	113
Manifold.....	115

Bypass valve.....	117
Color marking equipment.....	119
Color marking pump.....	123
Valve.....	125
Directional valve.....	127
Color marking manifold.....	129
Protection bar colortanks.....	131
Electrical controlled measuring wheel.....	133
Find End laser.....	135
Find End assembly.....	137
Find End photocell.....	139
Fixed protective plate.....	141
Fourpoint measuring.....	143
Delimiting knife.....	145
Hose protection.....	147
Hydraulic upper knife.....	149
Knife edge protection.....	151
Real Easy.....	153
Reinforced felling link.....	155
Rod cover.....	157
Saw dust cover.....	159
Snow cover.....	161
Stump treatment kit, saw 98.....	163
Sure Grip.....	165
Tool set.....	167
9. Hydraulic system.....	169
Interconnection of main manifolds.....	171
Left manifold PRE.....	173
Left manifold.....	175
Manifold.....	177
Directional valve.....	179
Directional valve.....	181
Pressure reducer valve.....	183
Right manifold assembly.....	185
Check valve.....	189
Check valve.....	191
Pressure reducer valve.....	193
Pressure reducer valves.....	195
Valve 24V.....	197
Valve 24V.....	199
Valve 24V.....	201
Valve 24V.....	203
Right manifold.....	205
Inlet manifold S01.....	207
Feed section S02.....	209
Feed section S03.....	211
Knife section S04.....	213
End section S05.....	215
Compensator kit.....	217

Feed reducer	219
Pilot reducer	221
Pilot valve	223
Reducer valve.....	225
Relief valve	227
Relief valves	229
Cap	231
Cap	233
Cap	235
Cylinder Ø25/16-45	237
Cylinder Ø40/25-106	239
Hydraulic cylinder.....	241
Hydraulic cylinder.....	243
Rod kit	245
Hydraulic cylinder.....	247
Rod kit	249
Hydraulic cylinder.....	251
10. Control system	253
Log Mate 510 #2.....	255
Dasa Forester #2.....	257
Log Mate 500.....	259
Dasa 4 & Cabswin	261
Dasa Forester	263
Eco Log & Rottne Dasa Forester.....	265
IT/PC & VU	267
Electrical system, saw unit 98, LM500, Dasa Forester.....	269
Electrical system, saw unit 98, Dasa4/Cabswin & IT/PC, VU.....	271
Faster Log Mate 510.....	273
Dasa 4 & Cabswin	275
Dasa Forester	277
IT/PC & VU	279
Connection box VU.....	281
Terminal box IT/PC	283
Lower connection box.....	285
11. Hose kits	287

1. Frame and protection



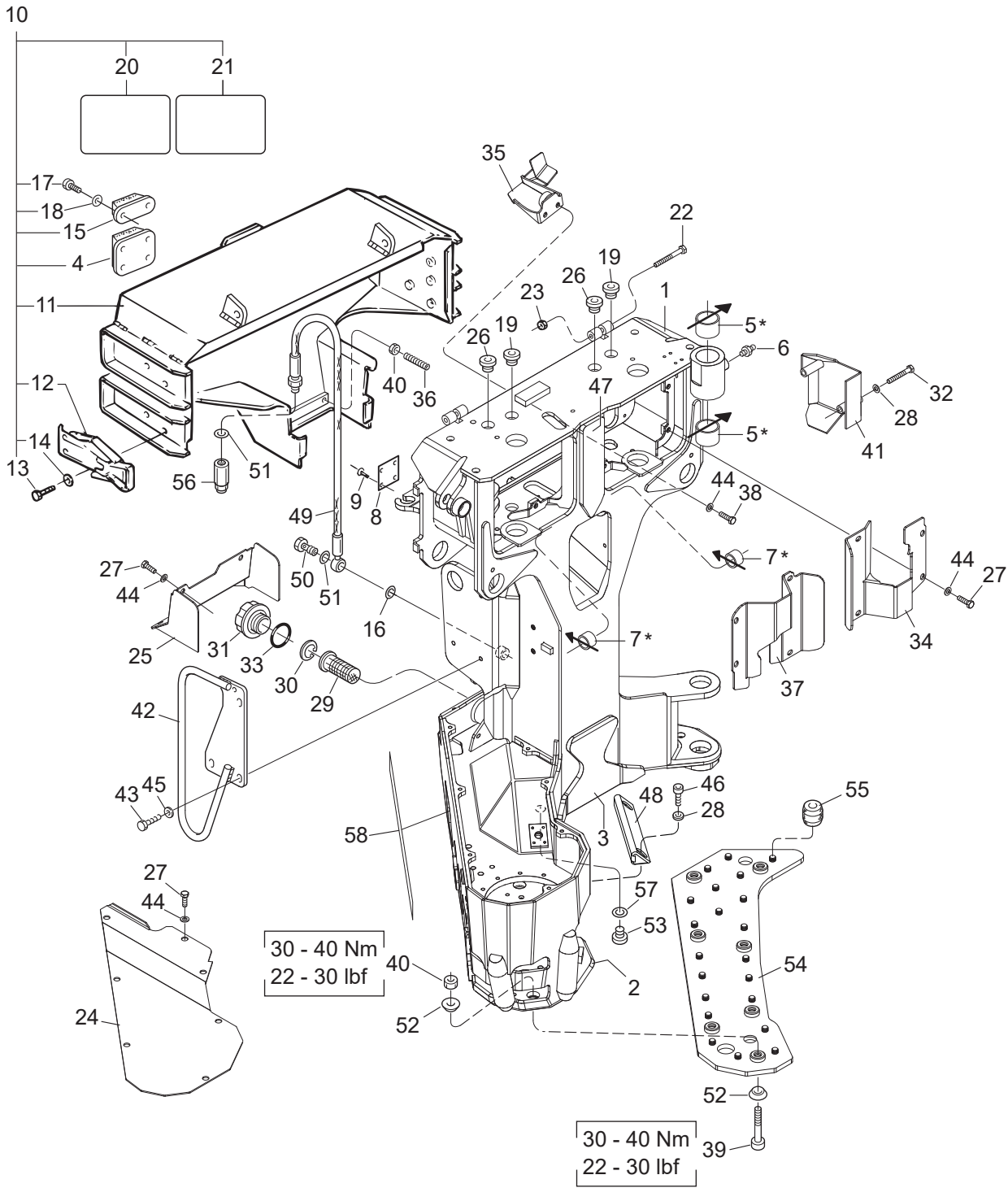
* Loctite 603

02 / 005

Log Max 5000D

Frame with protective cover

Structure 005529D				
Pos.	Part no.	Quantity	Description	Specification
1	035108	1	Frame cmpl.	
2	016656	1	Bottom plate	
3	013958	1	Wear plate	
4	014377	1	Rubber damper	
5	512024	2	Bushing	50x40
6	625000	3	Grease nipple	KR 1/8" R
7	512083	2	Bushing	35x20
8	016891	1	Plate	
9	500651	4	Screw	CSS 2.2x4.5
10	037012	1	Cover cmpl	
11	037033	1	Cover	
12	519085	4	Hood latch	
13	500042	12	Screw	M6S M8x16 8.8 FZB
14	503055	12	Washer	M8 Nordlock
15	012845	3	Rubber damper	
16	602114	1	Seal ring	1/4"
17	500022	6	Screw	M6S M6x14 8.8 FZB
18	503073	6	Washer	M6 Nordlock
19	017190	2	Hex plug	G 1"
20	519140	1	Decal	Crushing Hazard/ Klämrisk
21	519141	1	Decal	Chain shot/ Kedjeskott
22	501215	2	Screw	MC6S M10x75 12.9
23	502055	2	Nut	M10 Locking
24	016330	1	Plate	
25	016380	1	Cover	
26	601005	2	Hex plug	1" R
27	500066	19	Screw	M6S M10x20 8.8 FZB
28	503057	6	Washer	M10 Nordlock
29	015351	1	Filter	
30	517238	1	Circlip	SGH 45
31	013969	1	Filling cap cmpl.	Yellow / Gul
32	500078	2	Screw	M6S M10x75 8.8 FZB
33	543028	1	O-ring	Ø 44.04x3.53 Viton

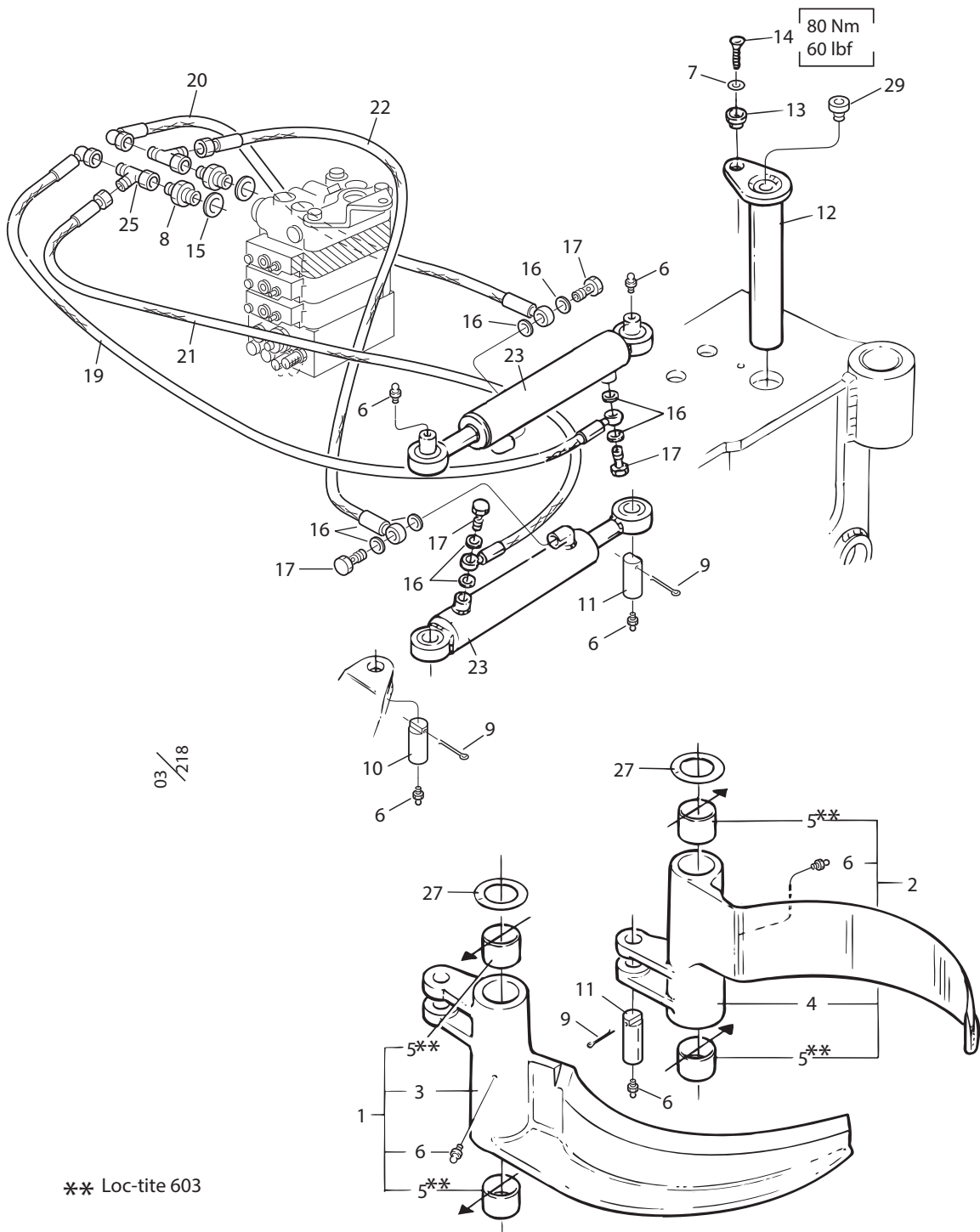


02 / 005

Log Max 5000D

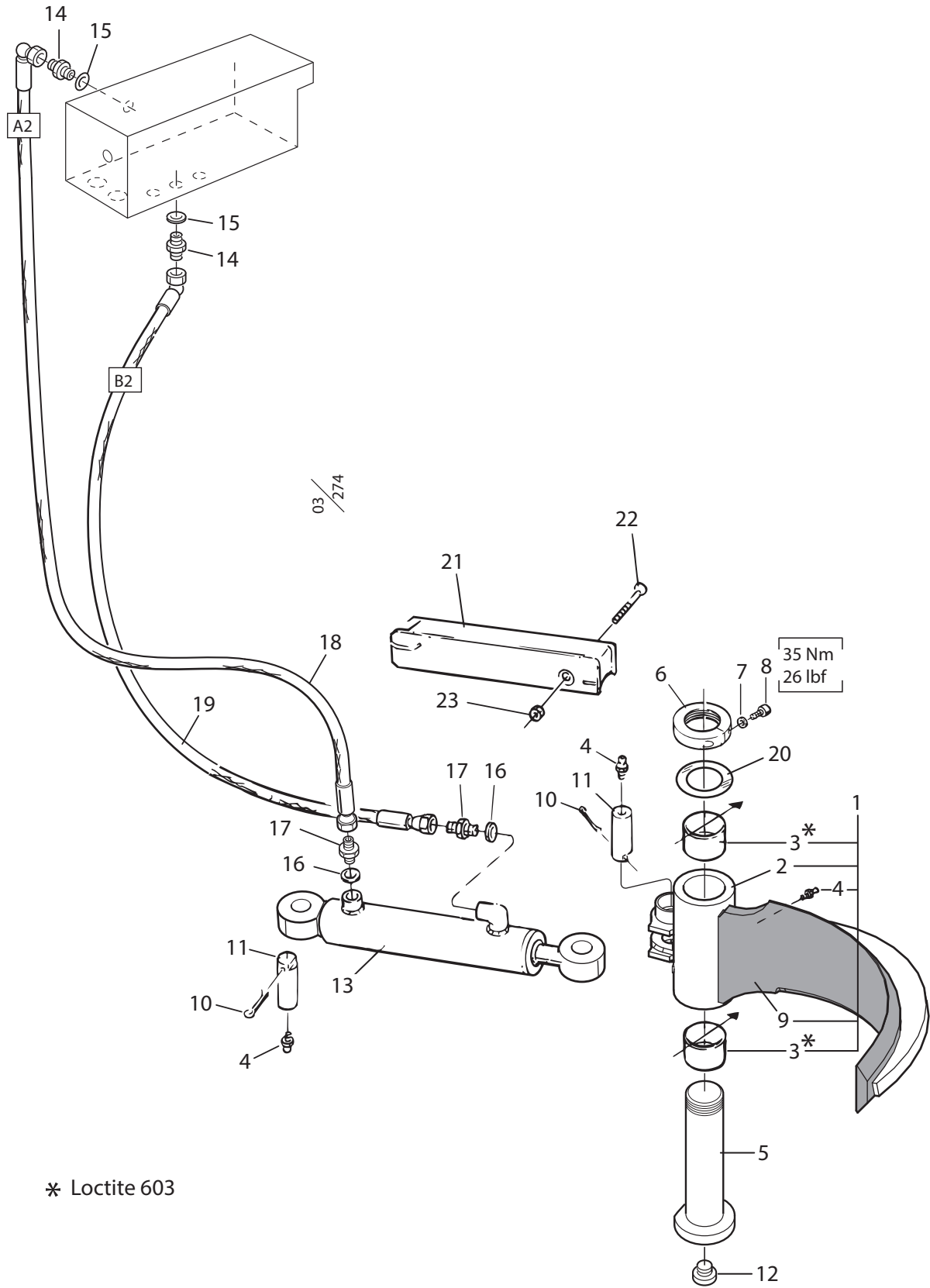
Structure				
Pos.	Part no.	Quantity	Description	Specification
34	013978	1	Protective cover	
35	016092	1	Cover plate	
36	513052	2	Screw	P6SS M12x35
37	013979	1	Protective cover	
38	501090	2	Screw	MC6S M10x30 12.9
39	017856	7	Screw	MC6S M12x50 12.9
40	502056	9	Nut	M12
41	016376	1	Cylinder cover	
42	012813	1	Hose leader	
43	500090	3	Screw	M6S M12x25 8.8 FZB
44	503075	21	Washer	M10 Nordlock
45	503076	3	Washer	M12 Nordlock
46	501087	2	Screw	MC6S M10x20 12.9
47	016174	1	Wear plate	
48	016296	1	Cover	
49	643041	1	Hose 3041	
50	601068	1	Banjo bolt	G 1/4"
51	601200	1	Seal ring	13x19x1.5
52	018058	14	Washer	M12 Spherical / Sfärisk
53	015642	1	Magnetic plug	1/2"
54	016660	1	Protective plate compl.	Damped / Dämpad
55	524025	21	Rubber spring	
56	015037	1	Breather valve	
57	601103	1	Seal ring	1/2"
58	519147D	1	Decal	

2. Delimiting unit



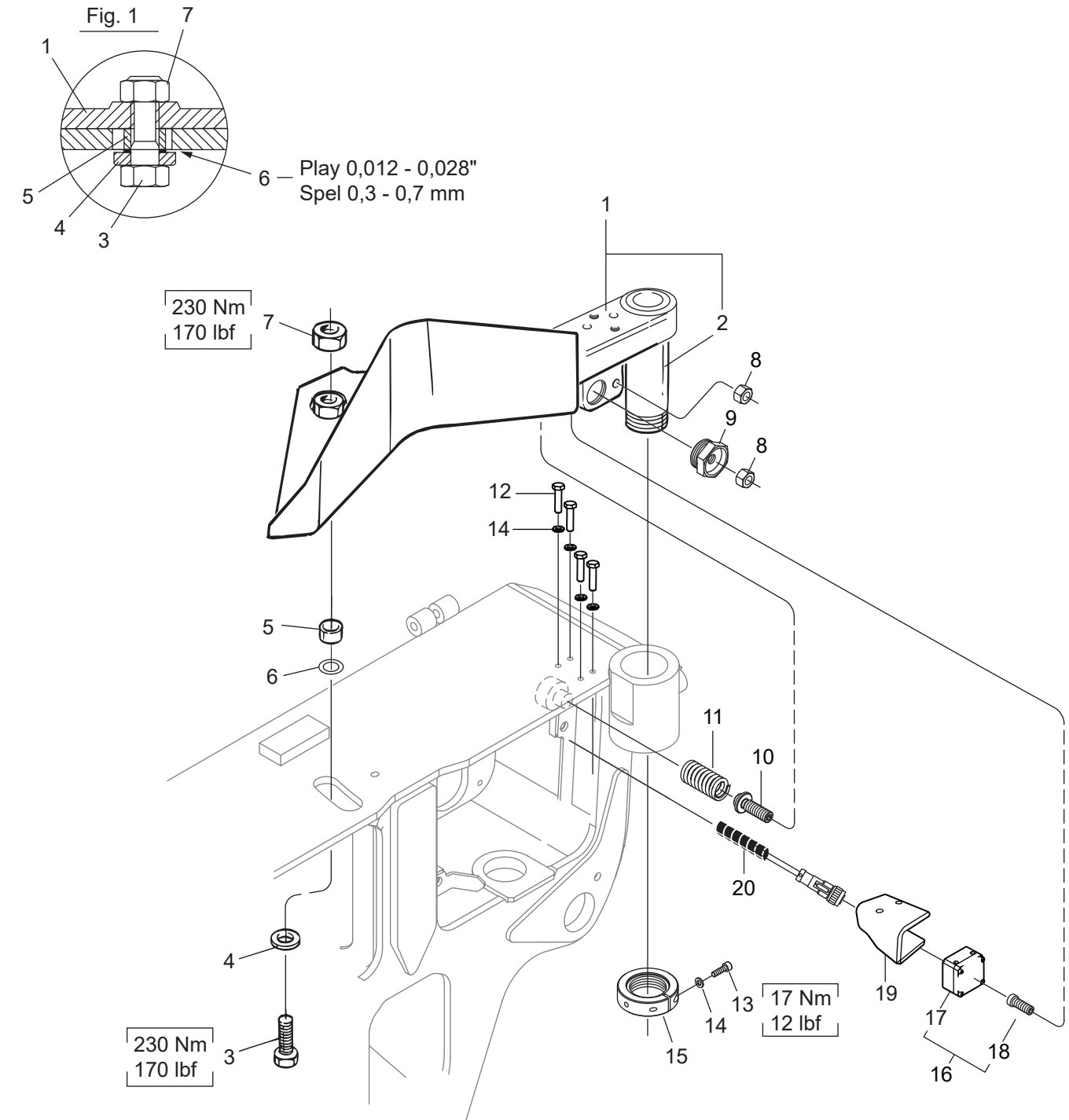
Delimiting unit

Structure 005501D				
Pos.	Part no.	Quantity	Description	Specification
1	035033	1	Knife compl	Right / Höger
2	035032	1	Knife compl	Left / Vänster
3	013096	1	Knife	Right / Höger
4	013095	1	Knife	Left / Vänster
5	512024	4	Bushing	50x40
6	625000	6	Grease nipple	KR 1/8" – R
7	503060	2	Washer	M12 Nordlock
8	601030	2	Coupling	R 1/4" UF – R 1/2" UF
9	516001	4	Cotter pin	5x30 FZB
10	011805	2	Pin	Ø 25 L=63 mm
11	011806	2	Pin	Ø 25 L=75 mm
12	012741	2	Pin	Ø 50 L=276 mm
13	013872	2	Guide washer	
14	500091	2	Screw	M6S M12x30 8.8 FZB
15	601103	2	Seal ring	1/2"
16	601200	8	Seal ring	13x19x1.5
17	601060	4	Banjo bolt	R 1/4"
19	643044	1	Hose 3044	
20	643045	1	Hose 3045	
21	643047	1	Hose 3047	
22	643046	1	Hose 3046	
23	018986	2	Cylinder	
25	601010	2	T-coupling	R 1/4" UF – UF-
27	507024	Req / Erf	Shim	52x65x0.5
27	507025	Req / Erf	Shim	52x65x1.0
29	601003	2	Hex plug	1/2" R



Lower delimiting knife

Structure 005502D				
Pos.	Part no.	Quantity	Description	Specification
1	035115	1	Delimiting knife cmpl.	
2	016340	1	Delimiting knife	
3	512024	2	Bushing	50x40
4	625000	3	Grease nipple	R 1/8" – R
5	017051	1	Pin	Ø 50 L=222 mm
6	016160	1	Threaded ring	M45x2
7	503065	1	Washer	M6 Nordlock
8	501046	1	Screw	MC6S M6x20 12.9
9	016339	1	Knife edge	
10	516001	2	Cotter pin	5x32 FZB
11	011805	2	Pin	Ø 25 L=63 mm
12	601003	1	Hex plug	1/2" R
13	019003	1	Hydraulic cylinder	
14	601029	2	Coupling	R 1/4" UF – R 3/8" UF
15	601102	2	Seal ring	3/8"
16	601101	2	Seal ring	1/4"
17	601028	2	Coupling	R 1/4" UF – R 1/4" UF
18	643043	1	Hose 3043	
19	643042	1	Hose 3042	
20	507024	Req / Erf	Shim	52x65x0.5
20	507025	Req / Erf	Shim	52x65x1.0
21	012121	1	Cover	
22	500077	1	Screw	M6S M10x70 8.8 FZB
23	502055	1	Nut	M10 Locking Low / Låg

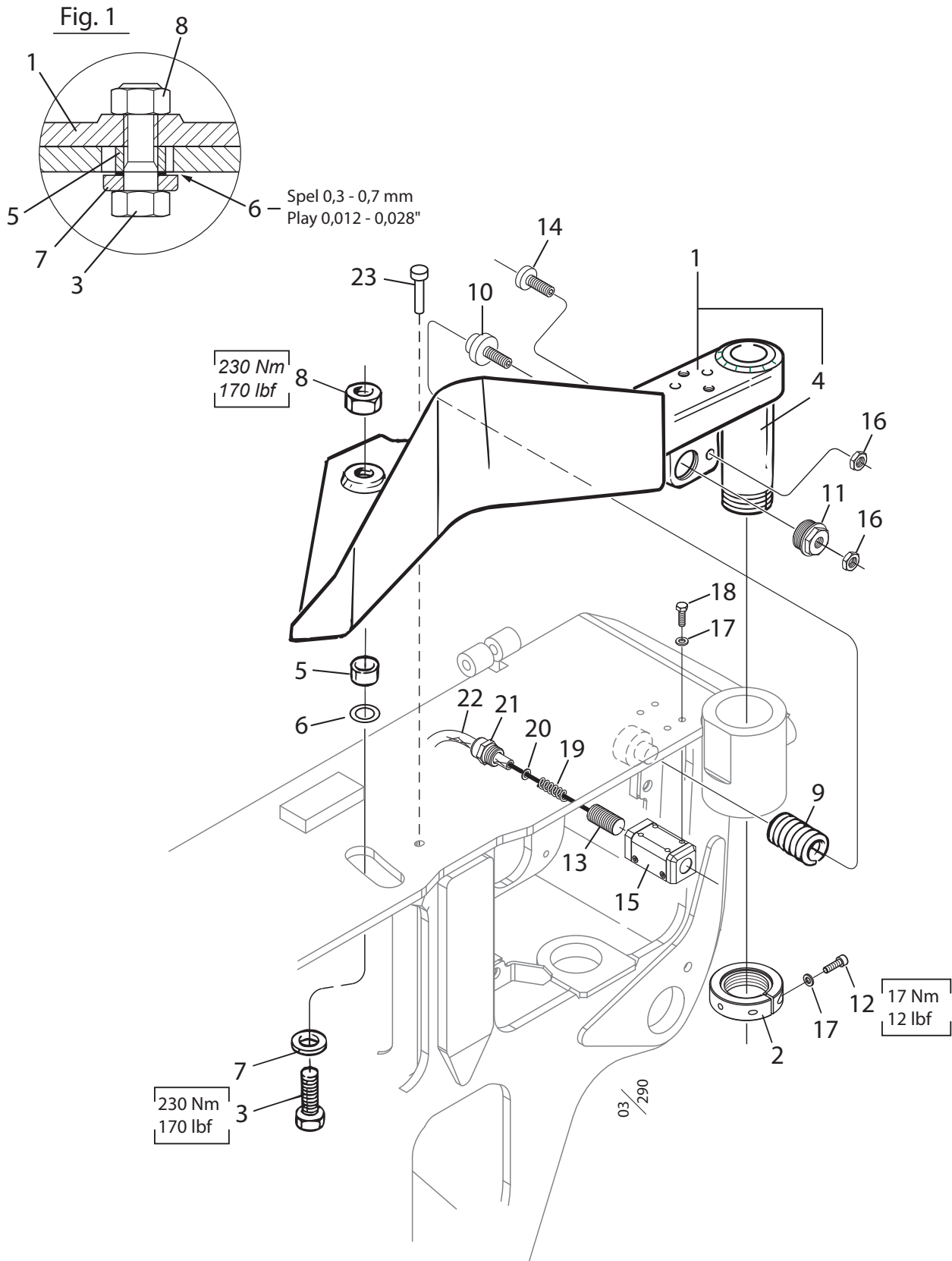


03/033

Log Max 4000T - Analog knife sensor

Upper delimiting knife, analog knife sensor

Structure 006703-2				
Pos.	Part no.	Quantity	Description	Specification
1	035120	1	Delimiting knife compl.	
2	016192	1	Pin	Ø 50 L=166 mm
3	505052	1	Screw	M6S M20x60 10.9
4	010652	1	Washer	
5	012232	1	Spacer	
6	507006	Req / Erf	Shim	20x28x1.0
	507007	Req / Erf	Shim	20x28x0.5
7	502060	1	Nut	M20 Locking
8	502701	2	Nut	M12x1.25
9	017843	1	Plug	M28x2
10	017845	1	Adjuster screw	M12x1.25
11	526010	1	Spring	
12	500023	4	Screw	M6S M6x16 8.8 FZB
13	501046	1	Screw	MC6S M6x20 12.9
14	503065	5	Washer	M6 Nordlock
15	016160	1	Threaded ring	M45x2
16	401289	1	Magnetic sensor compl.	
17	401288	1	Magnetic sensor	
18	514054	1	Magnetic screw	
19	018395	1	Protective plate	
20	615047	1	Hose cover	10x6.7 0.26 M

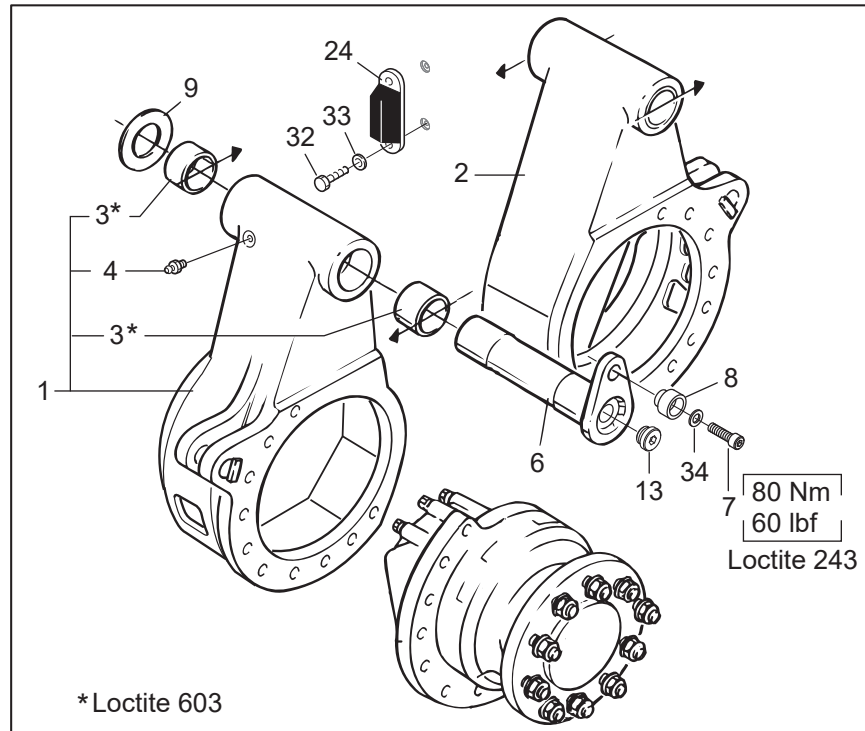
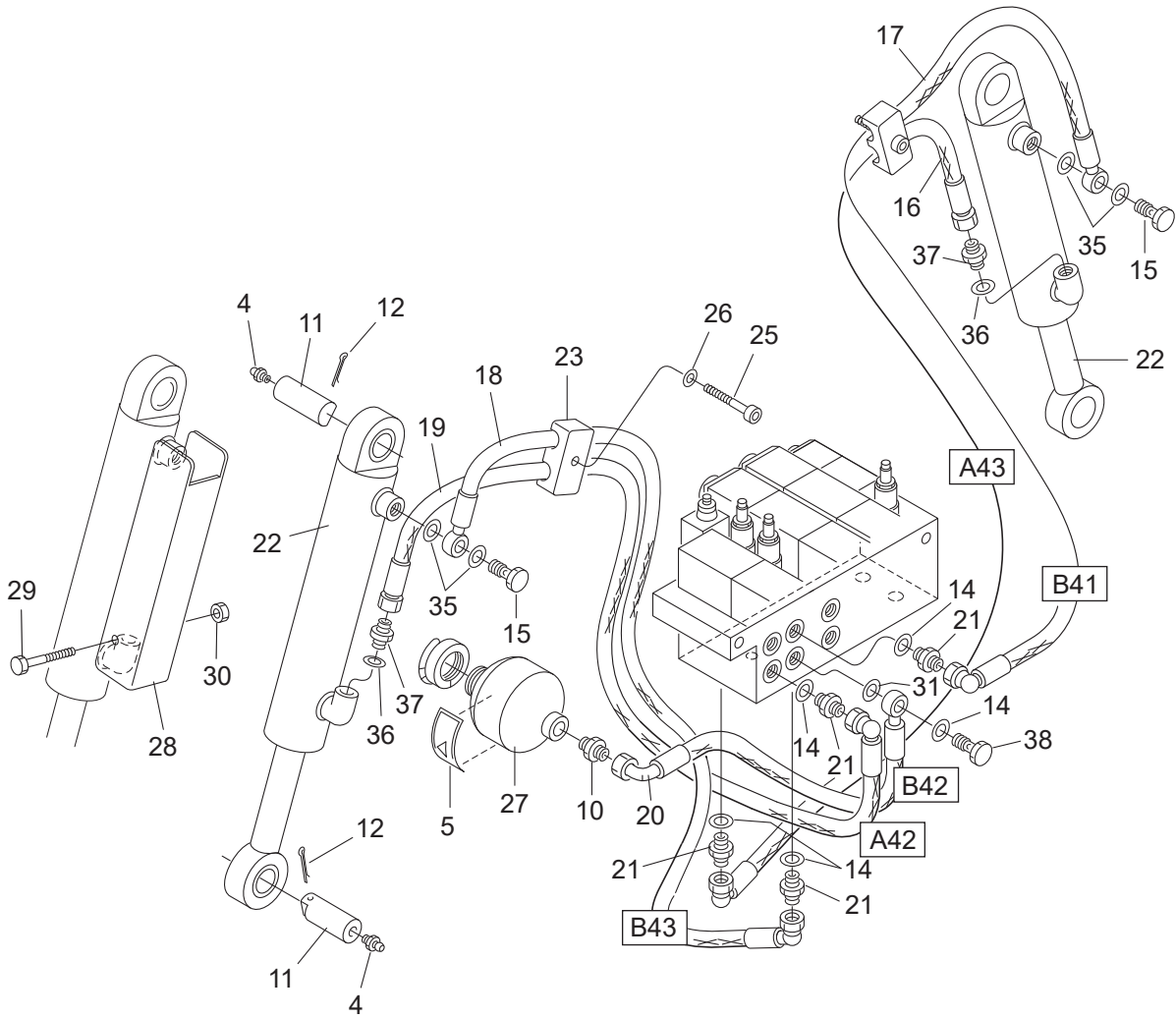


Upper delimiting knife, digital knife sensor

Structure 005503D-2, 037028-2				
Pos.	Part no.	Quantity	Description	Specification
1	10002510	1	Delimiting knife compl.	
2	016160	1	Threaded ring	M45x2
3	505052	1	Screw	M6S M20x60 10.9
4	016192	1	Pin	Ø 50 L=166 mm
5	012232	1	Spacer	
6	507006	Req / Erf	Shim	20x28x1.0
	507007	Req / Erf	Shim	20x28x0.5
7	010652	1	Washer	
8	502060	1	Nut	M20 Locking Low / Låg
9	526010	1	Spring	
10	017845	1	Adjuster screw	M12x1.25
11	017843	1	Plug	M28x2
12	501046	1	Screw	MC6S M6x20 12.9
13	013007	1	Magnetic sensor compl.	
14	016076	1	Magnetic screw	M12
15	016929	1	Sensor holder	Ø 10.8
16	502701	2	Nut	M12x1.25
17	503065	5	Washer	M6 Nordlock
18	500023	4	Screw	M6S M6x16 8.8 FZB
19	526015	1	Spring	
20	503004	1	Washer	6.4x12x1.5 FZB
21	401152	1	Cable sleeve	M20x1.5
22	615019	1	Hose	Ø 8 mm L=260 mm
23	500046	1	Screw	M6S M8x30 8.8 FZB

3. Feeding unit

3. Feeding unit

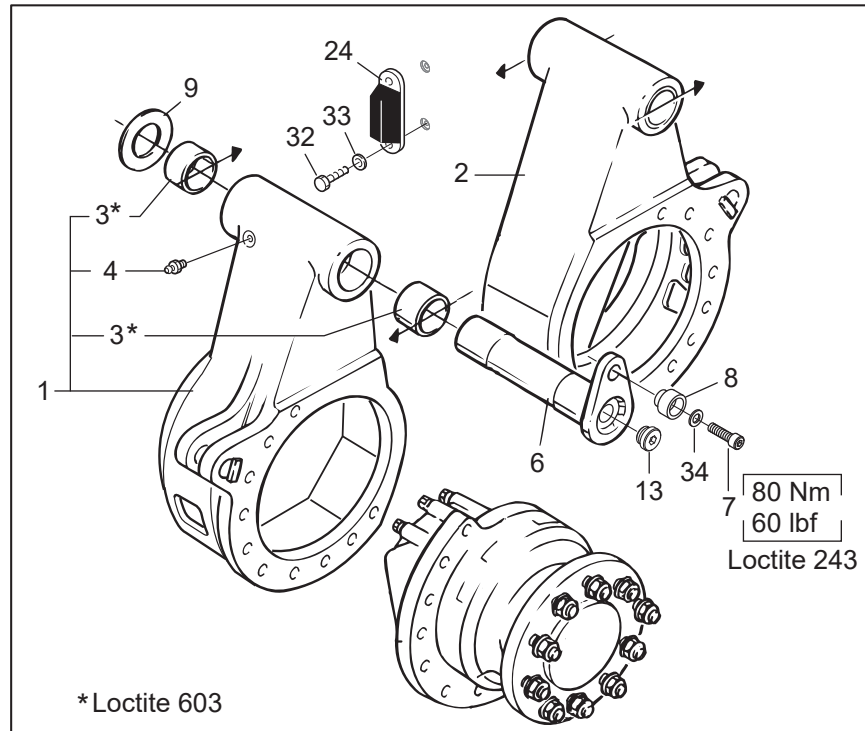
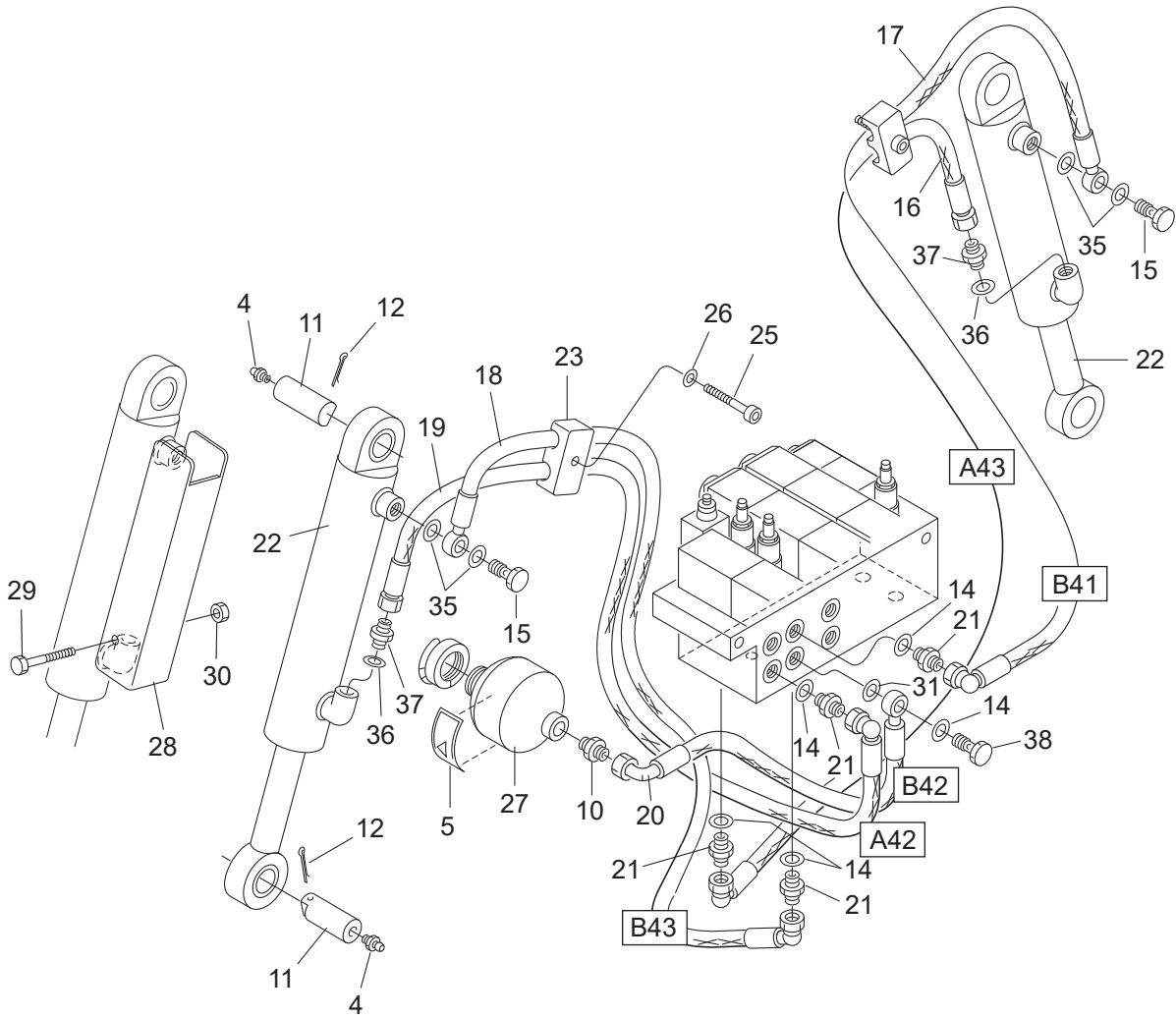


05 / 024

Feed roller arms #2

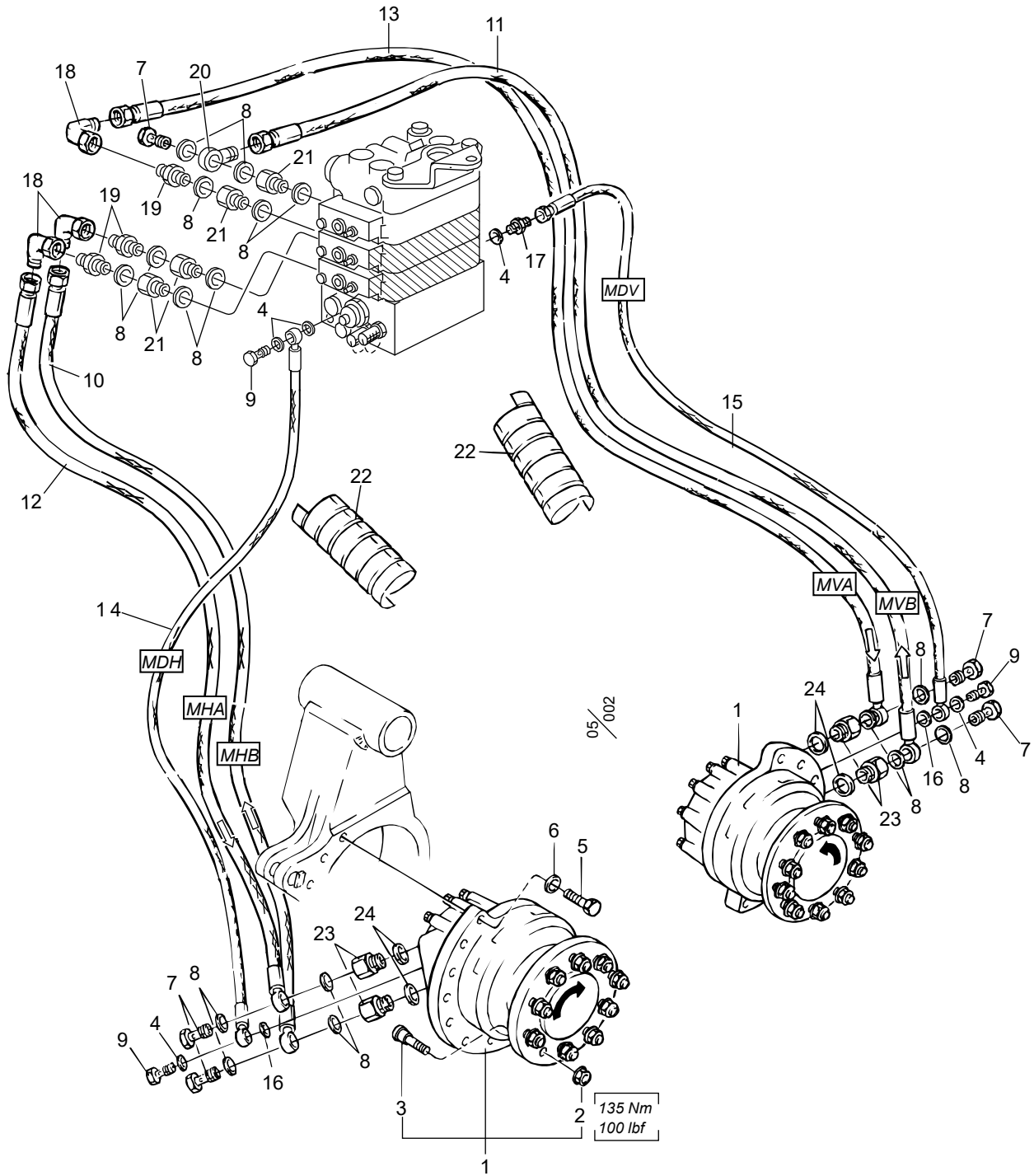
Structure 005509D-2				
Pos.	Part no.	Quantity	Description	Specification
1	037021	1	Feed roller arm compl.	Right / Höger
2	037022	1	Feed roller arm compl.	Left / Vänster
3	512024	4	Bushing	50x40
4	625000	6	Grease nipple	KR 1/8" – R
5	519111	1	Decal	
6	012746	2	Pin	Ø 50 L=213.5 mm
7	500091	2	Screw	M6S M12x30 8.8 FZB
8	013872	2	Guide washer	
9	507024	Req / Erf	Shim	52x65x0.5
	507025	Req / Erf	Shim	52x65x1.0
10	601033	1	Adapter	R 3/8" UF – R 1/2" UF
11	011805	4	Pin	Ø 25 L=63 mm
12	516001	4	Cotter pin	5x32 FZB
13	601003	1	Hex plug	1/2" R
14	601102	5	Bonded seal	3/8"
15	601060	2	Banjo screw	R 1/4"
16	643053	1	Hydraulic hose	
17	643052	1	Hydraulic hose	
18	643051	1	Hydraulic hose	
19	643050	1	Hydraulic hose	
20	643158	1	Hydraulic hose	
21	601029	4	Adapter	R 1/4" UF – R 3/8" UF
22	018986	2	Hydraulic cylinder	
23	016465	2	Clamp	1/4"
24	012845	2	Rubber damper	
25	501072	2	Screw	MC6S M8x35 12.9
26	503055	2	Washer	M8 Nordlock
27	610130	1	Accumulator	0.32 L – 0 Bar Empty / Oladdad
	610104	1	Accumulator	0.32 L – 85 Bar Loaded / Laddad
28	012121	2	Cover	
29	500077	2	Screw	M6S M10x70 8.8 FZB
30	502055	2	Nut	M10 Locking. Low / Låg
31	602110	1	Seal ring	3/8"



3. Feeding unit



05 / 024

Structure				
Pos.	Part no.	Quantity	Description	Specification
32	500022	4	Screw	M6S M6x14 8.8 FZB
33	503073	4	Washer	M6 Nordlock
34	503060	2	Washer	M12 Nordlock
35	601200	4	Copper seal	13x19x1.5
36	601101	2	Bonded seal	1/4"
37	601028	2	Adapter	R 1/4" UF – R 1/4" UF
38	601061	1	Banjo screw	R 3/8"

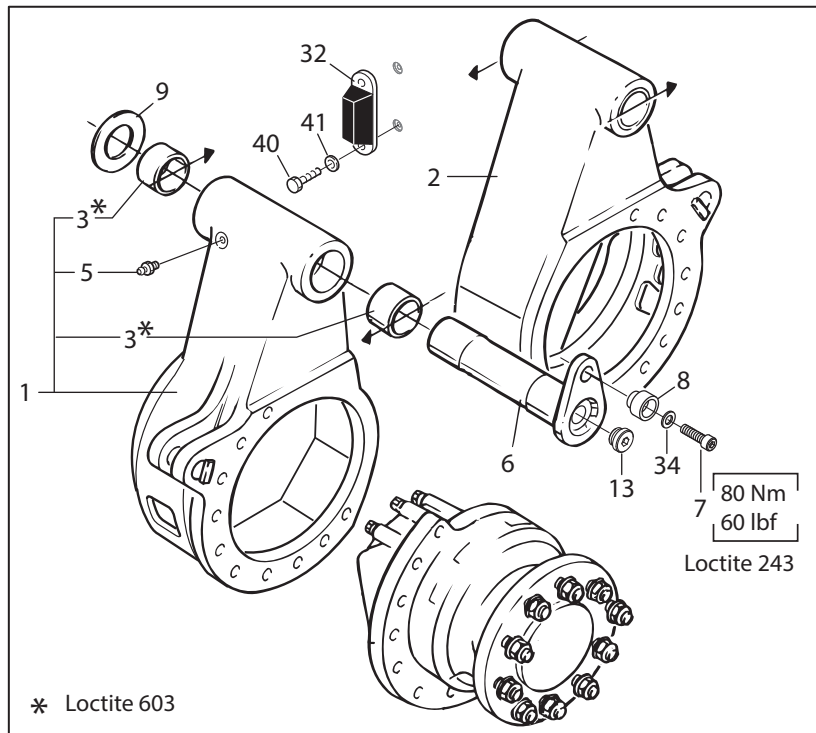
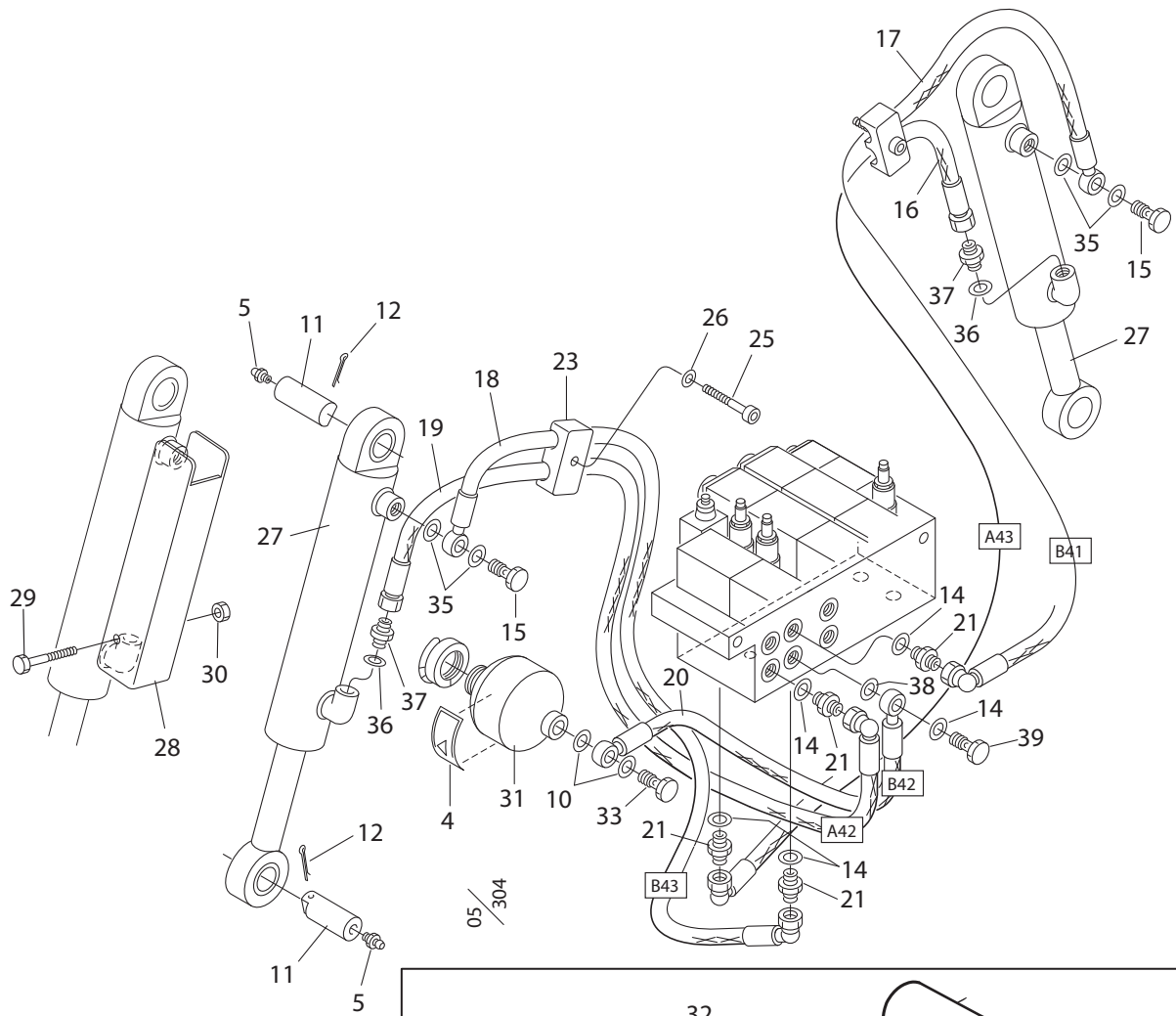


 Rotationsriktning / Direction of rotation
 Oljeflöde / Oil flow

Feed roller motors #2

Structure 609058, 035044				
Pos.	Part no.	Quantity	Description	Specification
1	609052	2	Feed roller motor compl	560 ccm
1	609058	2	Feed roller motor compl.	625 ccm
2	537010	20	Wheel nut	
3	635102	20	Wheel stud	
4	601102	5	Bonded seal	3/8"
5	500131	20	Screw	M6S M16x40 8.8 FZB
6	503063	20	Washer	M16 Nordlock
7	601062	5	Banjo screw	R 1/2"
8	601103	17	Bonded seal	1/2"
9	601061	3	Banjo screw	R 3/8"
10	643032	1	Hydraulic hose	
11	643083	1	Hydraulic hose	
12	643031	1	Hydraulic hose	
13	643034	1	Hydraulic hose	
14	643033	1	Hydraulic hose	
15	643036	1	Hydraulic hose	
16	602110	2	Seal ring	3/8"
17	601032	1	Adapter	R 3/8" – R 3/8"
18	602026	3	Elbow	R 1/2" UF – IF 90
19	601036	3	Adapter	R 1/2" UF – R 1/2" UF
20	602016	1	Adapter	1/2"
21	013805	4	Adapter	G 1/2" IF – 1/2" UF
22	615051	2	Hose cover	2", L=600 mm
23	601053	4	Adapter	R 3/4" UF – R 1/2" IF
24	601104	4	Bonded seal	3/4"

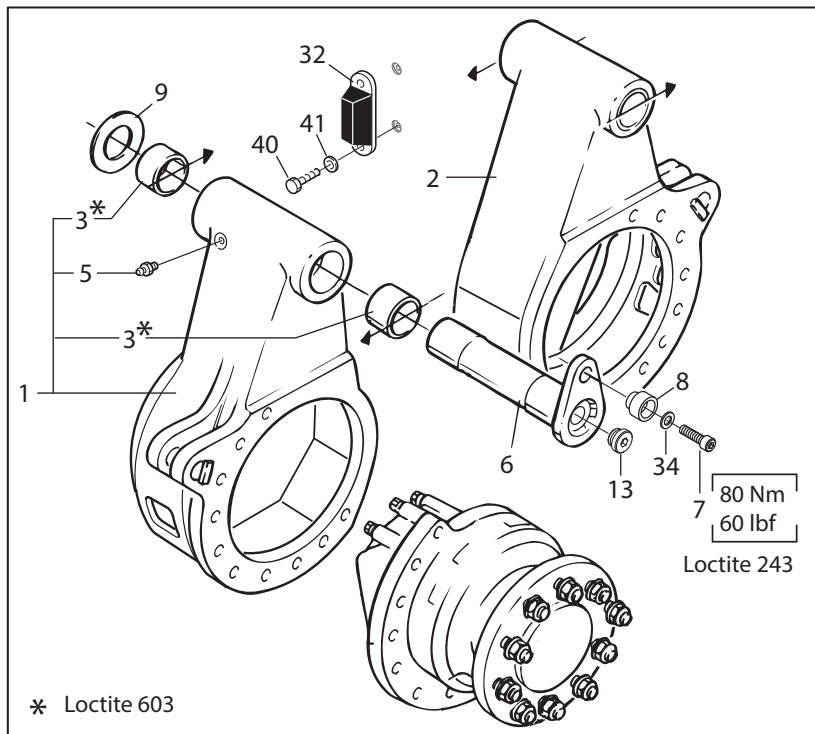
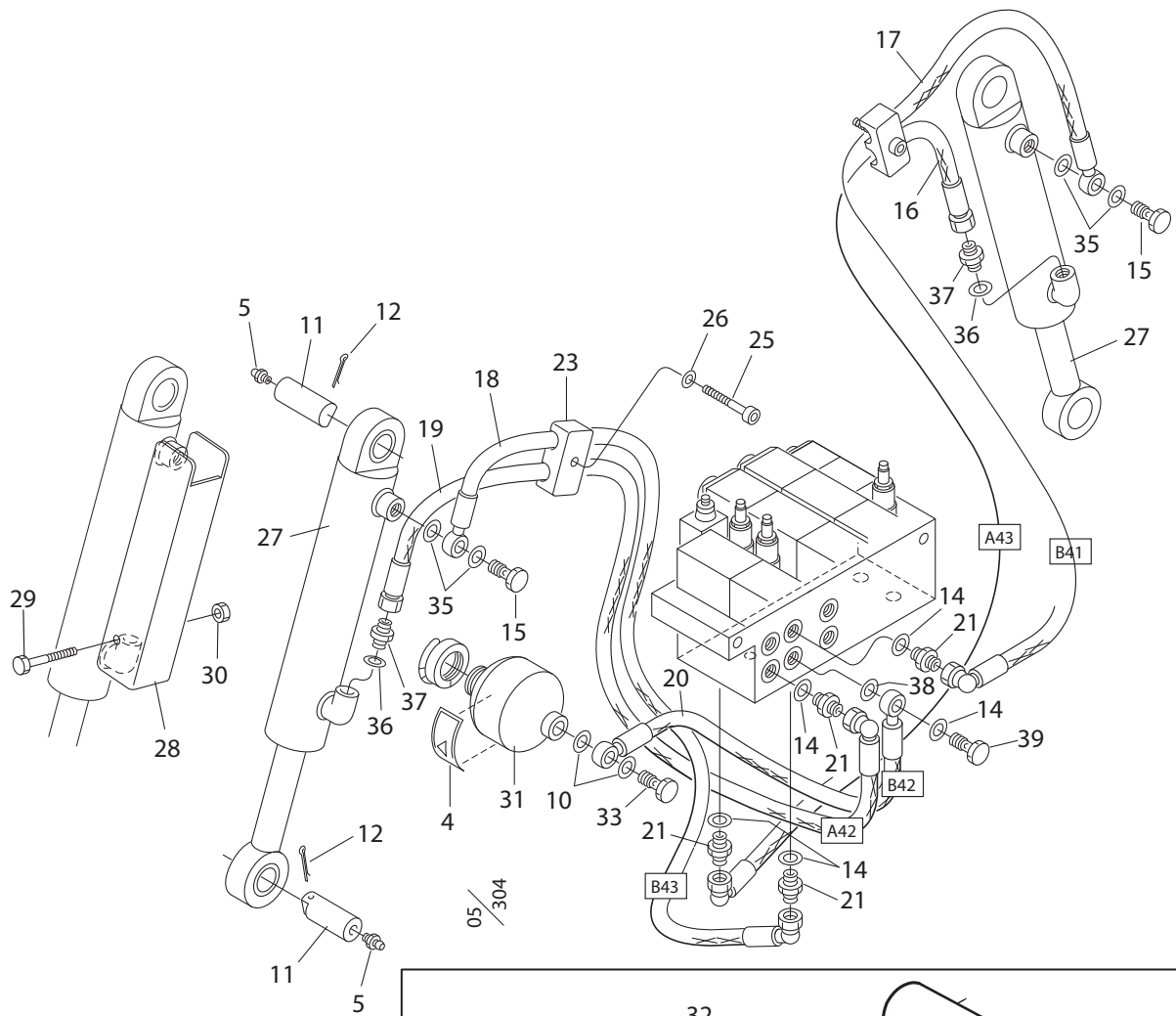
3. Feeding unit



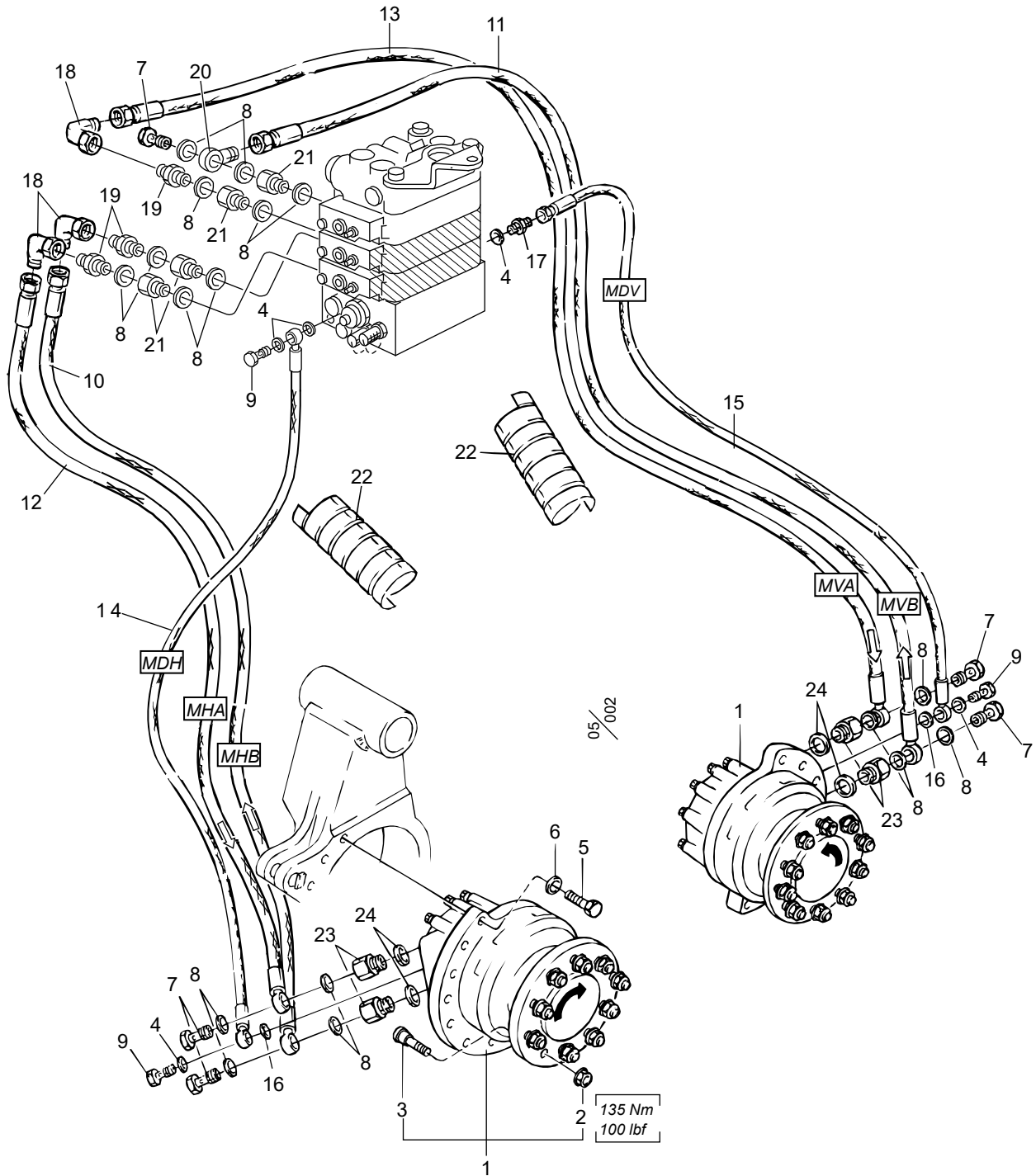
Feed roller arms



Structure 005509D				
Pos.	Part no.	Quantity	Description	Specification
1	037021	1	Feed roller arm compl.	Right / Höger
2	037022	1	Feed roller arm compl.	Left / Vänster
3	512024	4	Bushing	50x40
4	519111	1	Decal	
5	625000	6	Grease nipple	KR 1/8" – R
6	012746	2	Pin	Ø 50 L=213.5 mm
7	500091	2	Screw	M6S M12x30 8.8 FZB
8	013872	2	Guide washer	
9	507024	Req / Erf	Shim	52x65x0.5
	507025	Req / Erf	Shim	52x65x1.0
10	601103	2	Seal ring	1/2"
11	011805	4	Pin	Ø 25 L=63 mm
12	516001	4	Cotter pin	5x32 FZB
13	601003	1	Hex plug	1/2" R
14	601102	5	Seal ring	3/8"
15	601060	2	Banjo bolt	R 1/4"
16	643053	1	Hose 3053	
17	643052	1	Hose 3052	
18	643051	1	Hose 3051	
19	643050	1	Hose 3050	
20	643071	1	Hose 3071	
21	601029	4	Coupling	R 1/4" UF – R 3/8" UF
23	016465	2	Clamp	1/4"
25	501072	2	Screw	MC6S M8x35 12.9
26	503055	2	Washer	M8 Nordlock
27	018986	2	Cylinder	
28	012121	2	Cylinder cover	
29	500077	2	Screw	M6S M10x70 8.8 FZB
30	502055	2	Nut	M10 Locking. Low / Låg
31	610130	1	Accumulator	0.32 L – 0 Bar Empty / Oladdad
	610104	1	Accumulator	0.32 L – 85 Bar Loaded / Laddad
32	012845	2	Rubber damper	
33	601062	1	Banjo bolt	R 1/2"

3. Feeding unit



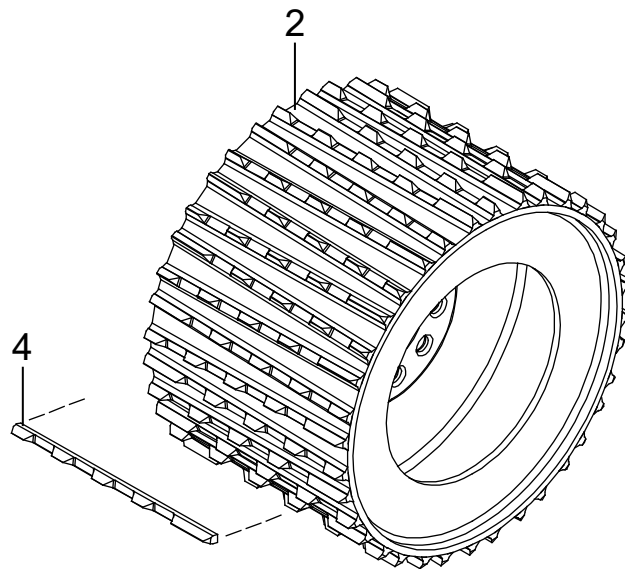
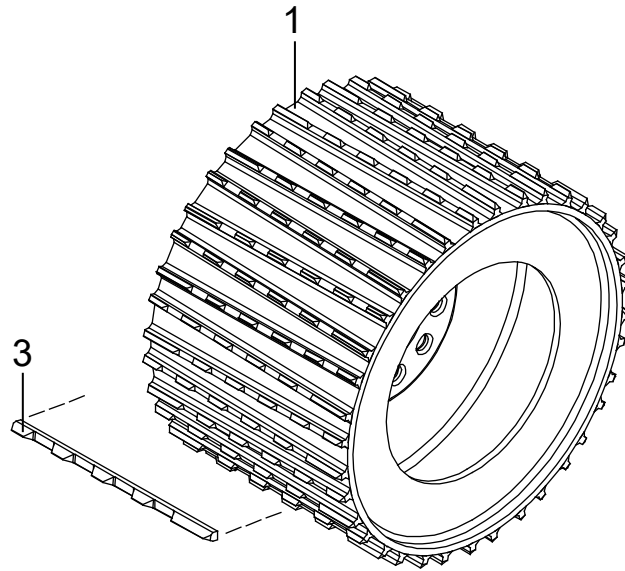
Structure				
Pos.	Part no.	Quantity	Description	Specification
34	503060	2	Washer	M12 Nordlock
35	601200	4	Cu-washer	13x19x1.5
36	601101	2	Seal ring	1/4"
37	601028	2	Coupling	R 1/4" UF – R 1/4" UF
38	602110	1	Seal ring	3/8"
39	601061	1	Banjo bolt	R 3/8"
40	500022	4	Screw	M6S M6x14 8.8 FZB
41	503073	4	Washer	M6 Nordlock



 Rotationsriktning / Direction of rotation
 Oljeflöde / Oil flow

Feed roller motors

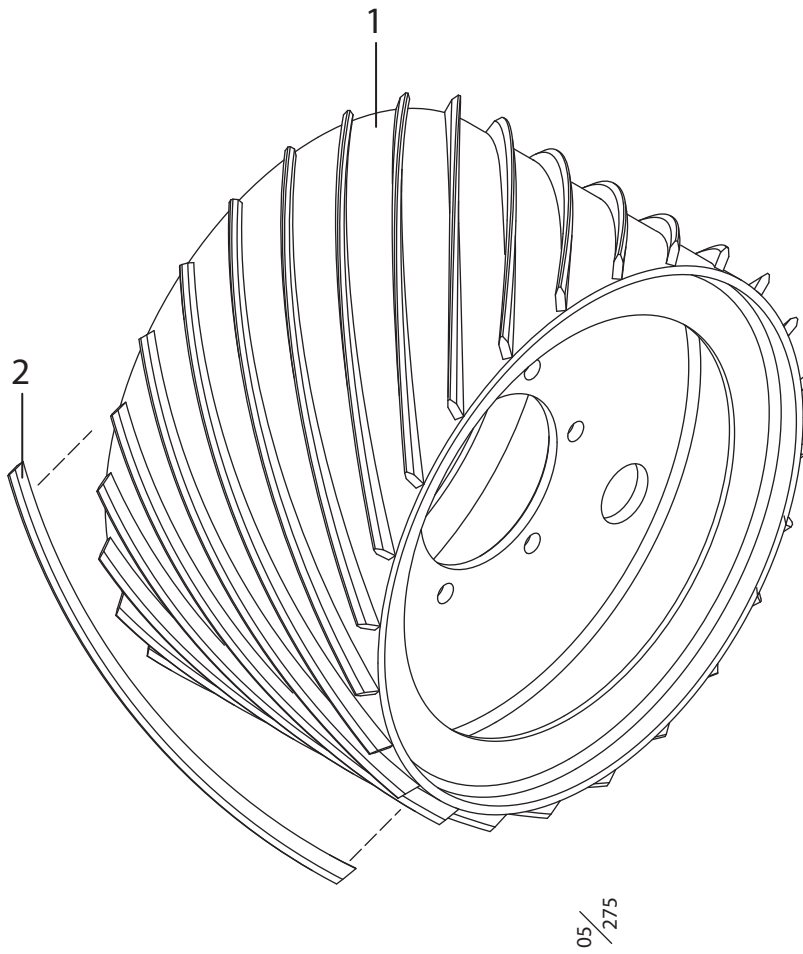
Structure 609058, 035044				
Pos.	Part no.	Quantity	Description	Specification
1	609052	2	Hydraulic motor compl	560 ccm
1	609058	2	Hydraulic motor compl.	625 ccm
2	537010	20	Wheel nut	
3	635102	20	Wheel stud	
4	601102	5	Seal ring	3/8"
5	500131	20	Screw	M6S M16x40 8.8 FZB
6	503063	20	Washer	M16 Nordlock
7	601062	5	Banjo bolt	R 1/2"
8	601103	17	Seal ring	1/2"
9	601061	3	Banjo bolt	R 3/8"
10	643032	1	Hose 3032	
11	643083	1	Hose 3083	
12	643031	1	Hose 3031	
13	643034	1	Hose 3034	
14	643033	1	Hose 3033	
15	643036	1	Hose 3036	
16	602110	2	Seal ring	3/8"
17	601032	1	Coupling	R 3/8" – R 3/8"
18	602026	3	Elbow	R 1/2" UF – IF 90
19	601036	3	Coupling	R 1/2" UF – R 1/2" UF
20	602016	1	Banjo	1/2"
21	013805	4	Coupling	G 1/2" IF – 1/2" UF
22	615051	2	Hose cover	2", L=600 mm
23	601053	4	Coupling	R 3/4" UF – R 1/2" IF
24	601104	4	Seal ring	3/4"



05 / 272

Feed rollers, V-Steel

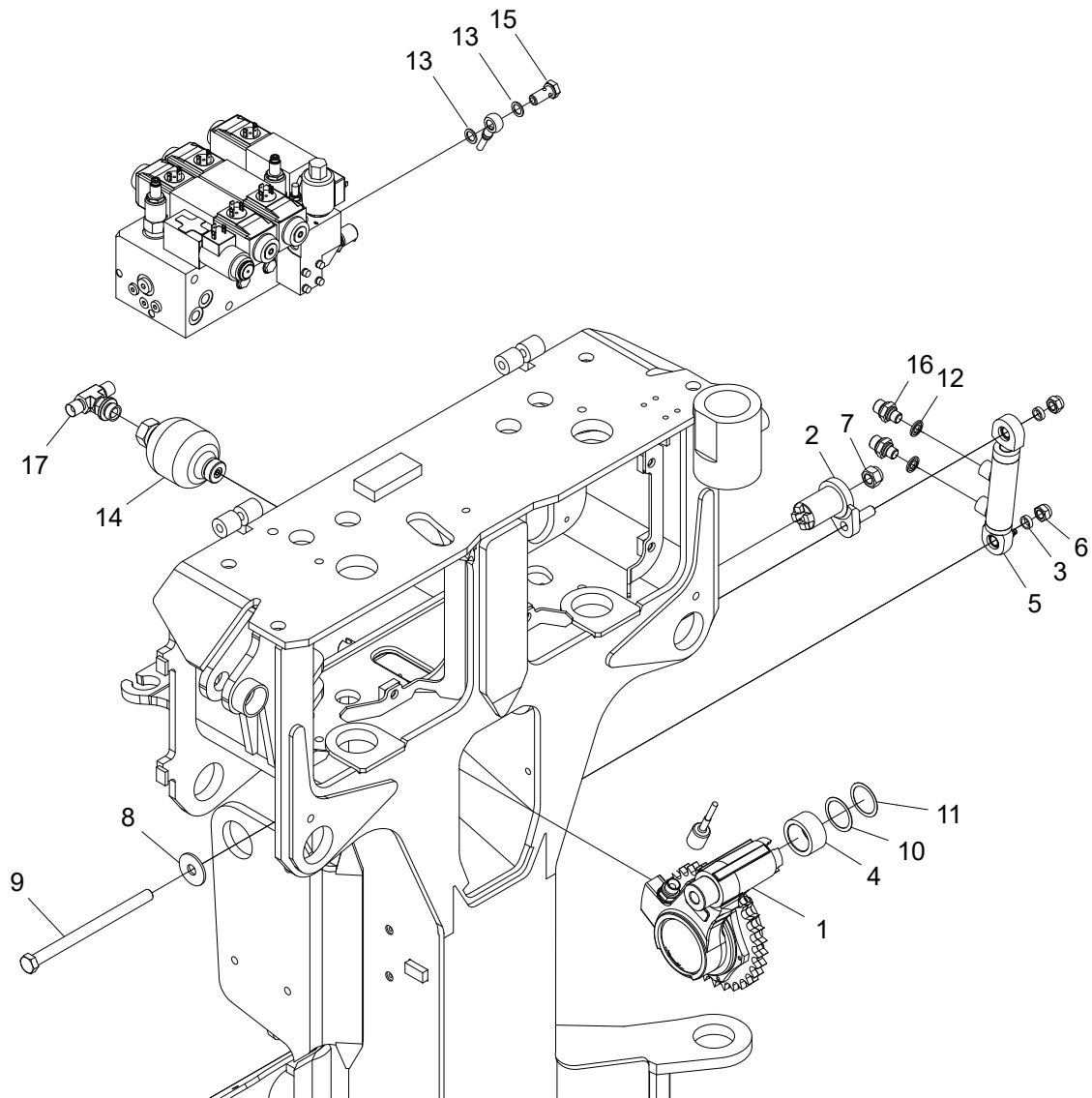
Structure 033582, 033592				
Pos.	Part no.	Quantity	Description	Specification
1	035094	2	Feed Roller V-steel	S
2	035095	2	Feed Roller V-steel	E
3	016636	Req / Erf	Bar	S
4	016872	Req / Erf	Bar	E



Feed rollers, eucalyptus 45°

Structure 033559				
Pos.	Part no.	Quantity	Description	Specification
1	037047	2	Feed Roller	
2	010039	Req / Erf	Bar	

4. Measuring

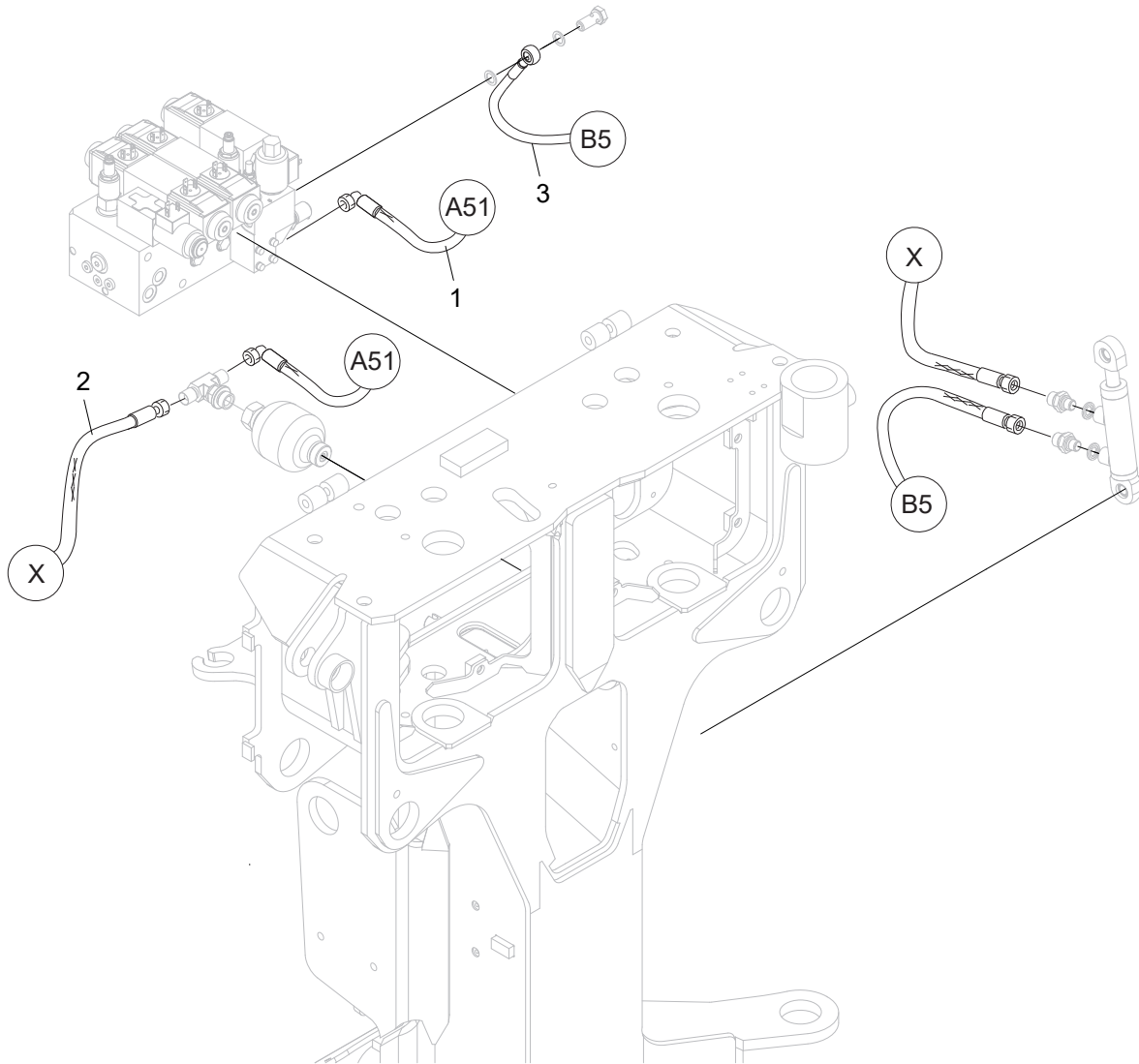


08/035

Log Max - Measuring wheel assembly

Measuring wheel #2

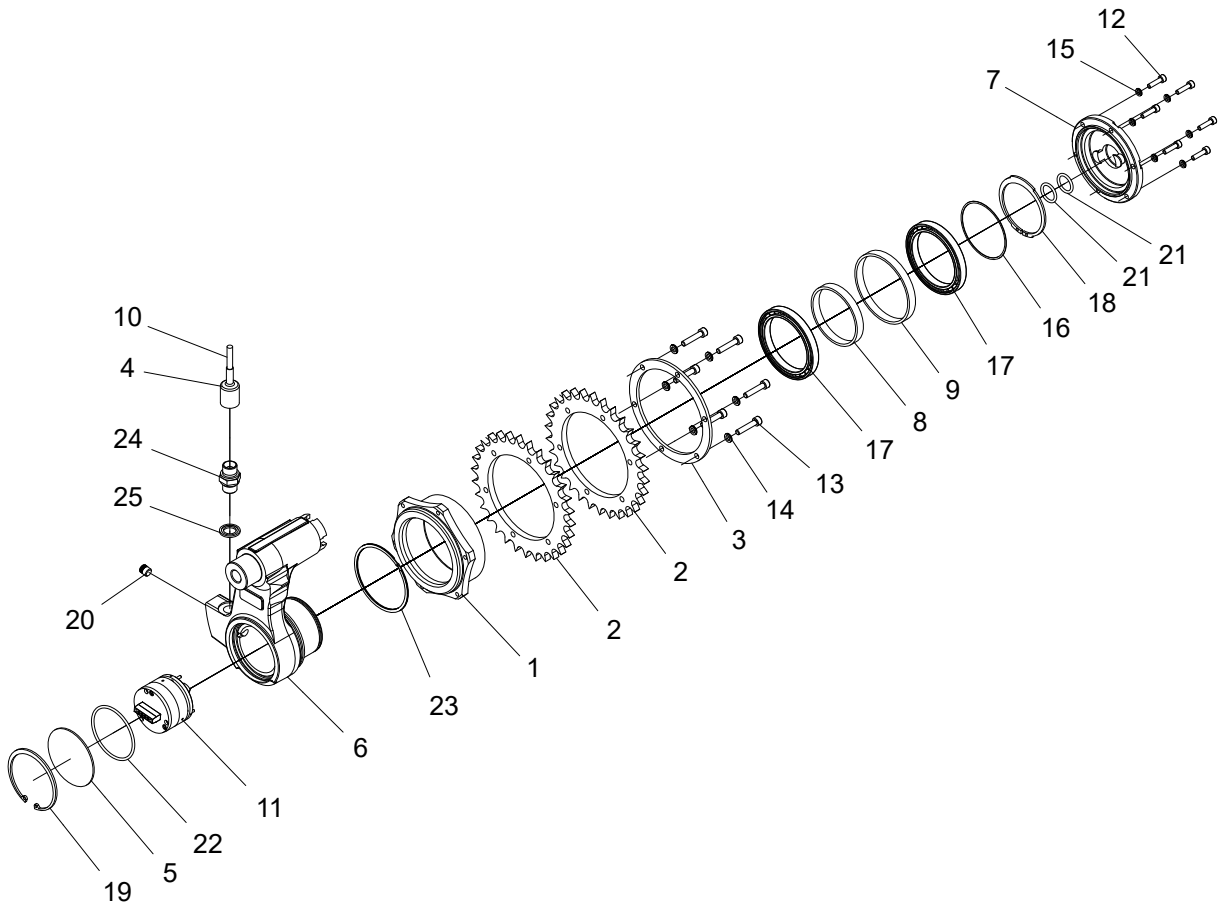
Structure 005537-2				
Pos.	Part no.	Quantity	Description	Specification
1	005543-MONT	1	Measuring wheel compl.	
2	015168	1	Driver	
3	010170	2	Spacer	
4	012181	1	Spacer	
5	018870	1	Hydraulic cylinder	Ø 25/16 – 45
6	502056	2	Nut	M12 Locking Low / Låg
7	502076	1	Nut	M14 Locking High / Hög
8	503020	1	Washer	SRKB FZB 14x42x3.0
9	505076	1	Screw	M6S M14x200 10.9 OBH
10	507002	Req / Erf	Shim	36x45x0.5
11	507003	Req / Erf	Shim	36x45x0.3
12	601102	2	Bonded seal	3/8"
13	601200	2	Copper seal	13x19x1.5
14	610120	1	Accumulator	0.16 L – 0 bar Empty / Oladdad
	610113	1	Accumulator	0.16 L – 65 bar Loaded / Laddad
15	601068	1	Banjo screw	1/4"
16	601032	2	Adapter	BSP -06
17	601024	1	T – adapter	BSP –06 / –08 / –06 UF / UM / UF



08/042

Hose kit measuring wheel #2

Structure 005537-2				
Pos.	Part no.	Quantity	Description	Specification
1	643154	1	Hydraulic hose	
2	643155	1	Hydraulic hose	
3	643156	1	Hydraulic hose	

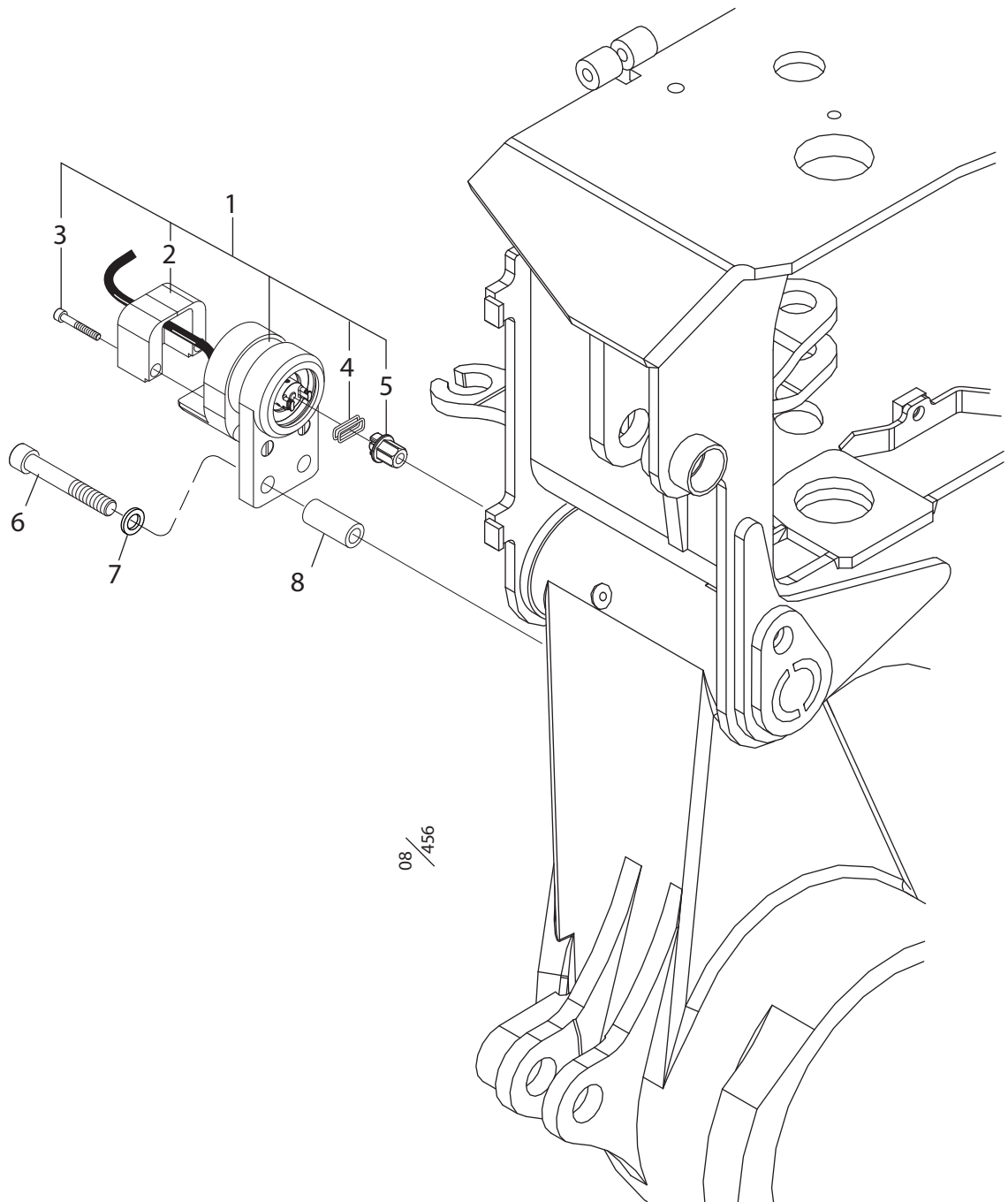


08/036

Log Max - Length measuring arm

Length measuring arm #2

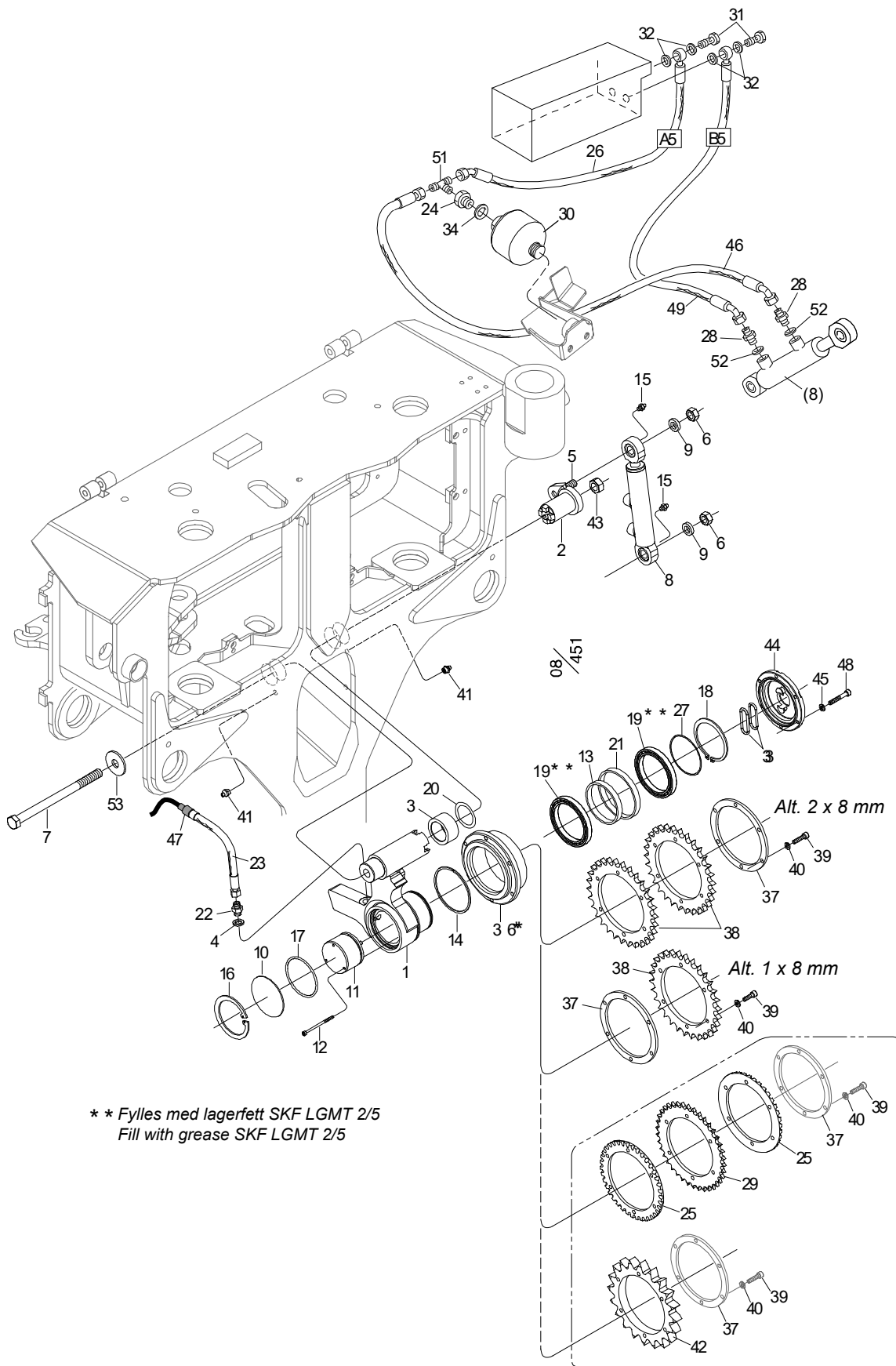
Structure 005543-MONT				
Pos.	Part no.	Quantity	Description	Specification
1	012965	1	Hub	
2	012974	2	Wheel rim	5/8"x162
3	012976	1	Spacer	
4	015113	1	Shrink hose	
5	015443	1	Cover	
6	016089	1	Measuring wheel arm	
7	017700	1	Cover	
8	017701	1	Spacer	Inner / Inre
9	017702	1	Spacer	Outer / Yttre
10	401025	1	Cable	Pur / Pur 4x0.5
11	401228	1	Encoder	500 ppr Log Mate 500 Dasa Forester
12	501029	6	Screw	MC6S M5x20 12.9
13	501049	6	Screw	MC6S M6x30 12.9
14	503065	6	Washer	M6 Nordlock
15	503066	6	Washer	M5 Nordlock
16	507066	Req / Erf	Shim	70.1x74.1x0.5
17	508051	2	Bearing	61814 – 2RS
18	517068	1	Circlip	SGA 70
19	517254	1	Circlip	SGH 75
20	519056	1	Expander rivet	10x10
21	540116	2	O-ring	22.2x3.0
22	540130	1	O-ring	67x3.0
23	546002	1	Seal ring	
24	601032	1	Adapter	BSP – 06
25	601102	1	Bonded seal	3/8"
26	643058	1	Hydraulic hose	



08/456

Diameter measuring

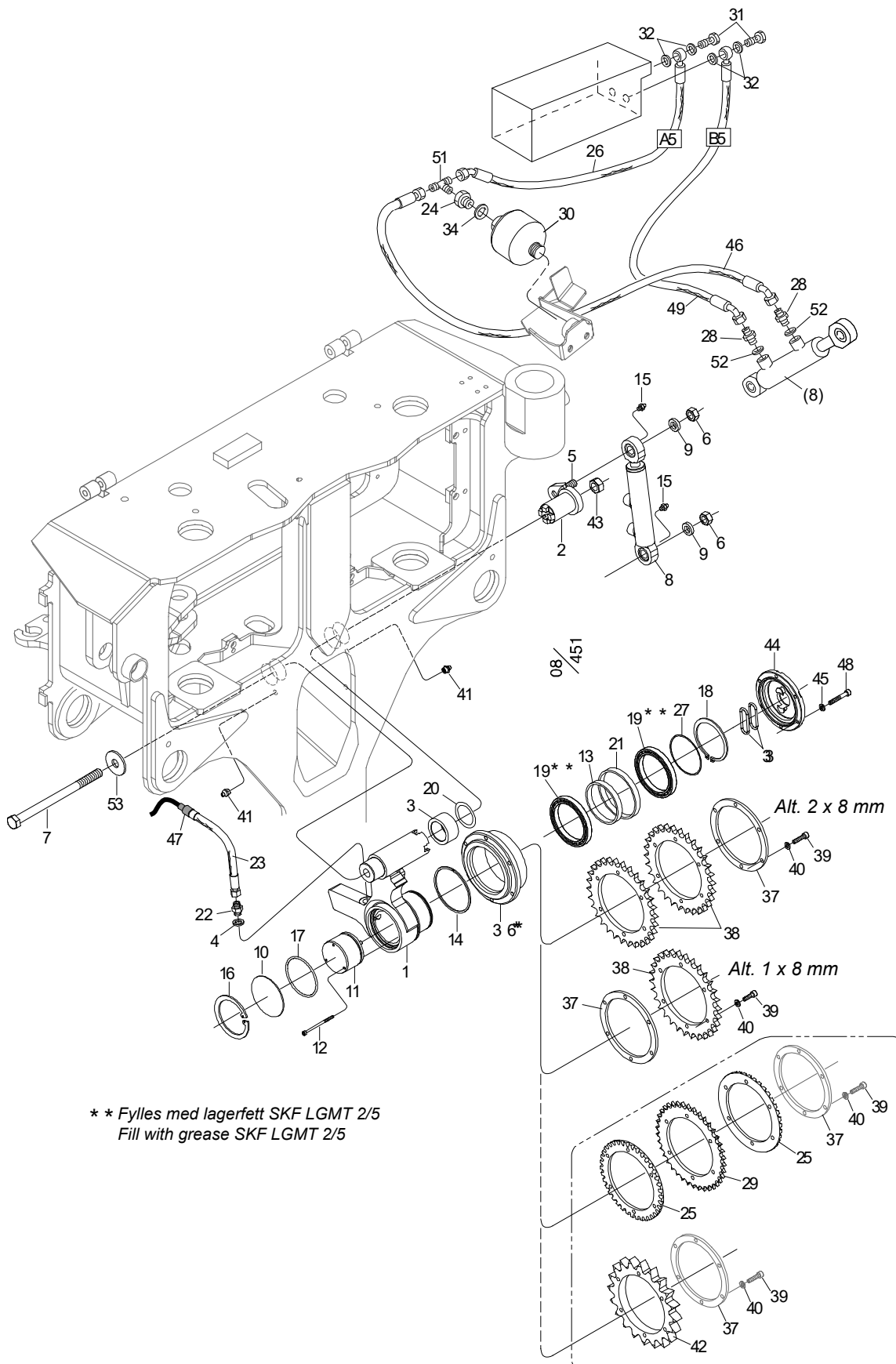
Structure 006918				
Pos.	Part no.	Quantity	Description	Specification
1	031072	1	Shaft cmpl	
	401221	1	Encoder	600 ppr
2	401226	1	Cover	Left – right kit / Vänster – höger kit
3	501034	2	Screw	MC6S M5x35
4	540039	2	O-ring	10.82x1.78
5	017634	1	Hexagon plug	
6	501117	2	Screw	MC6S M12x80 12.9
7	503060	2	Washer	M12 Nordlock
8	012640	2	Spacer	



** Fylles med lagerfett SKF LGMT 2/5
Fill with grease SKF LGMT 2/5

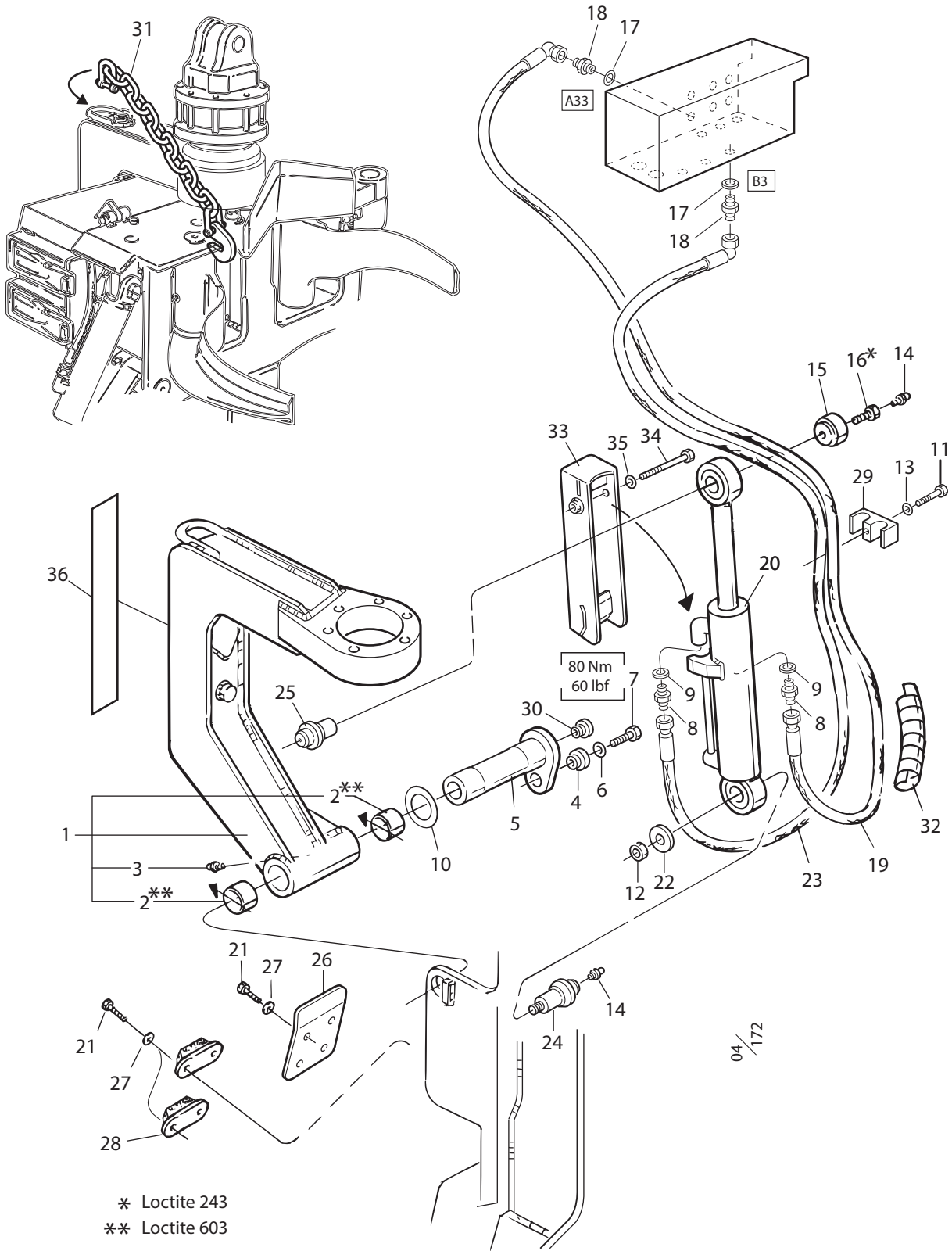
Measuring wheel

Structure 005542-MONT, 005543-MONT, 045057				
Pos.	Part no.	Quantity	Description	Specification
1	016089	1	Wheelarm	
2	015168	1	Driver	
3	012181	1	Spacer	
4	601102	1	Seal ring	3/8"
5	015167	1	Pin	
6	502056	2	Nut	M12 Low / Låg
7	505076	1	Screw	M6S M14x200 10.9
8	015462	1	Hydraulic cylinder	Ø 25/16 – 45
9	010170	2	Spacer	
10	015443	1	Cover	
11	401228	1	Encoder	500 ppr, Log Mate 500, Dasa Forester
	401229	1	Encoder	80 ppr, Dasa4/Cabswin, IT/PC, VU
12	500511	3	Screw	MCS M3x45 8.8 FZB
13	017701	1	Spacer ring	
14	546002	1	Seal ring	
15	625004	2	Grease nipple	M6
16	517254	1	Circlip	SGH 75
17	540130	1	O-ring	67x3.0
18	517068	1	Circlip	SGA 70
19	508051	2	Bearing	61814 – 2RS
20	507002	Req / Erf	Shim	36x45x0.5
	507003	Req / Erf	Shim	36x45x0.3
21	017702	1	Spacer ring	
22	601032	1	Coupling	R 3/8" – R 3/8"
23	643058	1	Hose 3058	
24	601030	1	Coupling	R 1/4" UF – R 1/2" UF
25	018127	2	Spacer	Ø 146 Option / Alternativ
26	643081	1	Hose 3081	
27	507066	1	Shim	70.1x74.1x0.5
28	601028	2	Coupling	R 1/4" UF – R 1/4" UF
29	018128	1	Wheel	Ø 164 Option / Alternativ
30	610120	1	Accumulator	0.16 L - 0 bar Empty / Oladdad



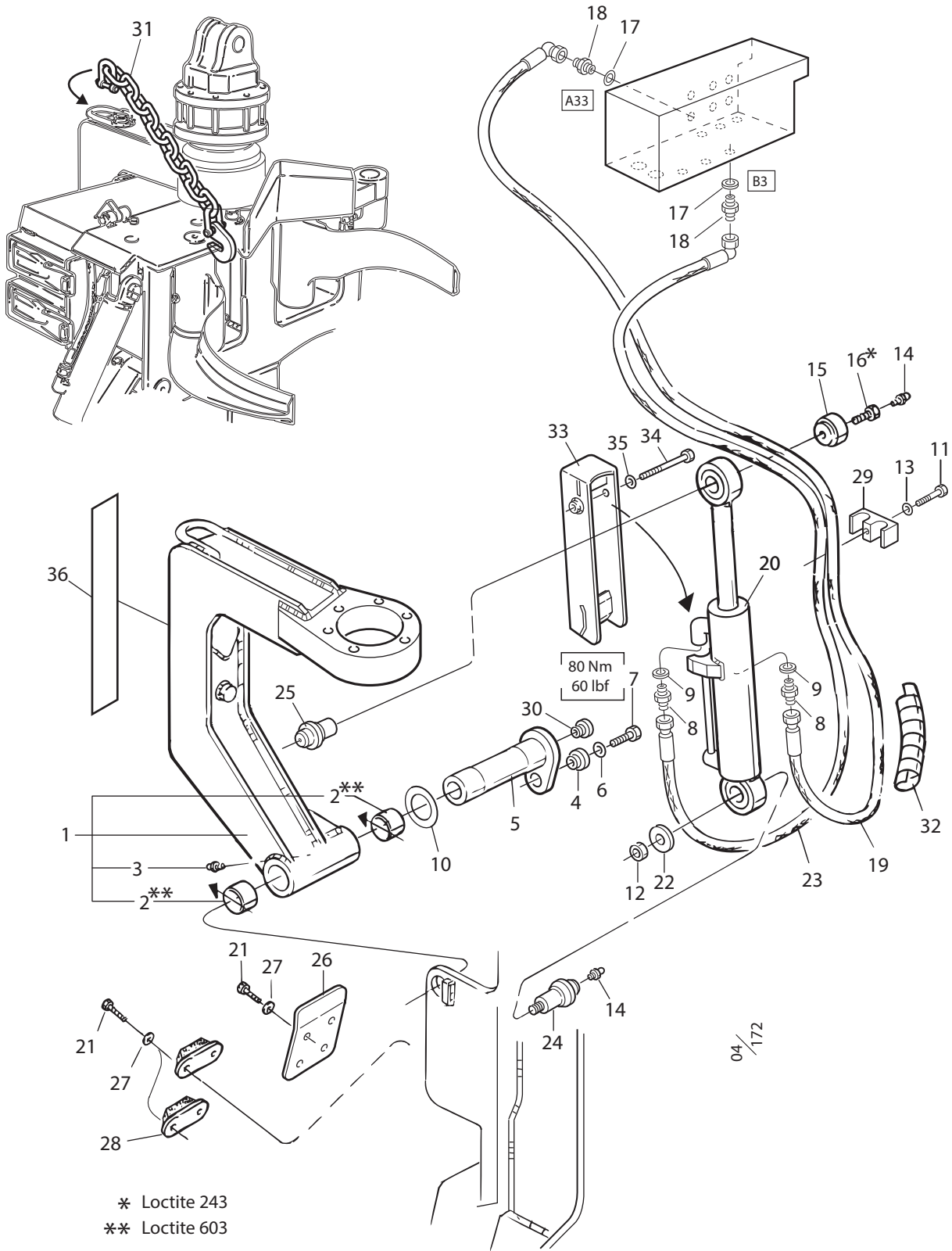
Structure				
Pos.	Part no.	Quantity	Description	Specification
	610113	1	Accumulator	0.16 L – 65 bar Loaded / Laddad
31	601060	2	Banjo bolt	R 1/4"
32	601200	4	Cu-washer	Ø 13x19x1.5
33	540116	2	O-ring	22.2x3.0
34	601103	1	Seal ring	1/2"
36	012965	1	Hub	
37	012976	1	Spacer	
38	012974	2	Wheel	5/8"x162
39	501049	6	Screw	MC6S M6x30 12.9
40	503065	6	Washer	M6 Nordlock
41	625000	2	Grease nipple	KR 1/8" – R
42	018131	1	Wheel	Ø 164 Option / Alternativ
43	502076	1	Nut	M14
44	017700	1	Cover	
45	503066	6	Washer	M5 Nordlock
46	643082	1	Hose 3082	
47	015113	1	Shrink hose	L=50 mm
48	501029	6	Screw	MC6S M5x20 12.9
49	643038	1	Hose 3038	
51	601015	1	T-coupling	R 1/4" UF – IR
52	601101	2	Seal ring	1/4"
53	503020	1	Washer	SRKB 14x42x3.0 FZB

5. Felling unit



Felling link

Structure 005504D				
Pos.	Part no.	Quantity	Description	Specification
1	035046	1	Felling link compl.	
2	512024	2	Bushing	50x40
3	625000	1	Grease nipple	KR 1/8" R
4	013872	1	Guide washer	
5	012741	1	Pin	Ø 50 L=276 mm
6	503060	1	Washer	M12 Nordlock
7	500091	1	Screw	M6S M12x30 8.8 FZB
8	601028	2	Coupling	R 1/4" UF – R 1/4" UF
9	601101	2	Seal ring	1/4"
10	507024	erf	Shim	52x65x0.5
	507025	erf	Shim	52x65x1.0
11	501072	1	Screw	MC6S M8x35 12.9
12	502056	1	Nut	M12 Locking
13	503055	1	Washer	M8 Nordlock
14	625004	2	Grease nipple	M6
15	012410	1	Sleeve	
16	012650	1	Screw	
17	601102	2	Seal ring	3/8"
18	601029	2	Coupling	R 1/4" UF – R 3/8" UF
19	643054	1	Hose 3054	
20	018995	1	Cylinder	
21	500022	8	Screw	M6S M6x14 8.8 FZB
22	016284	1	Washer	
23	643055	1	Hose 3055	
24	016286	1	Cylinder pin	
25	012409	1	Cylinder pin	
26	013645	1	Cover plate	
27	503073	8	Washer	M6 Nordlock Wide / Stor
28	012845	2	Rubber damper	
29	016465	1	Clamp	1/4"
30	601003	1	Hex plug	1/2" R
31	013239	1	Security chain	
32	615049	1	Hose cover	Ø3/4" L=400 mm

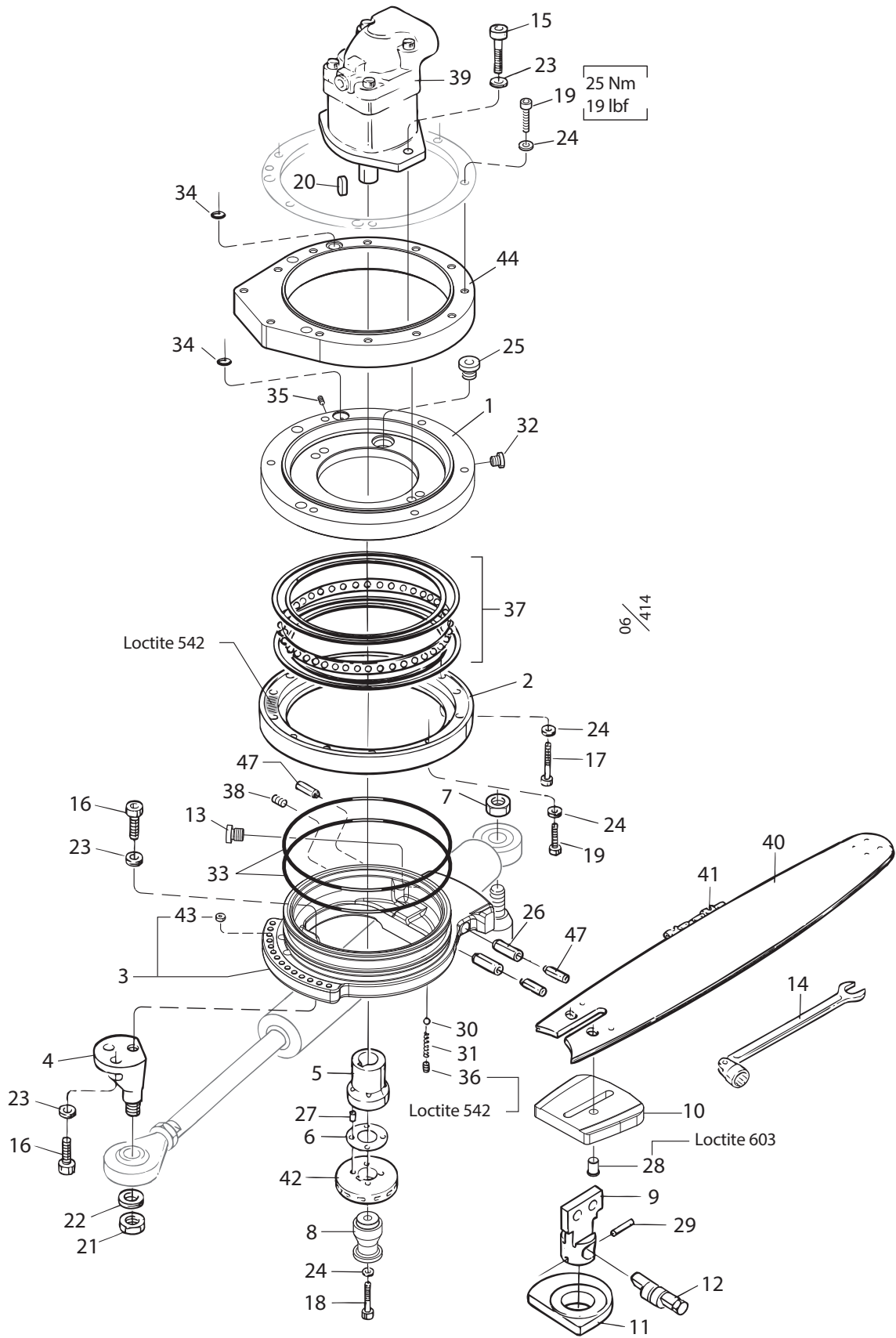


Structure				
Pos.	Part no.	Quantity	Description	Specification
33	013051	1	Cylinder cover	
34	500075	1	Screw	M6S M10x60 8.8 FZB
35	503057	1	Washer	M10 Nordlock
36	519147D	1	Decal	

6. Saw unit

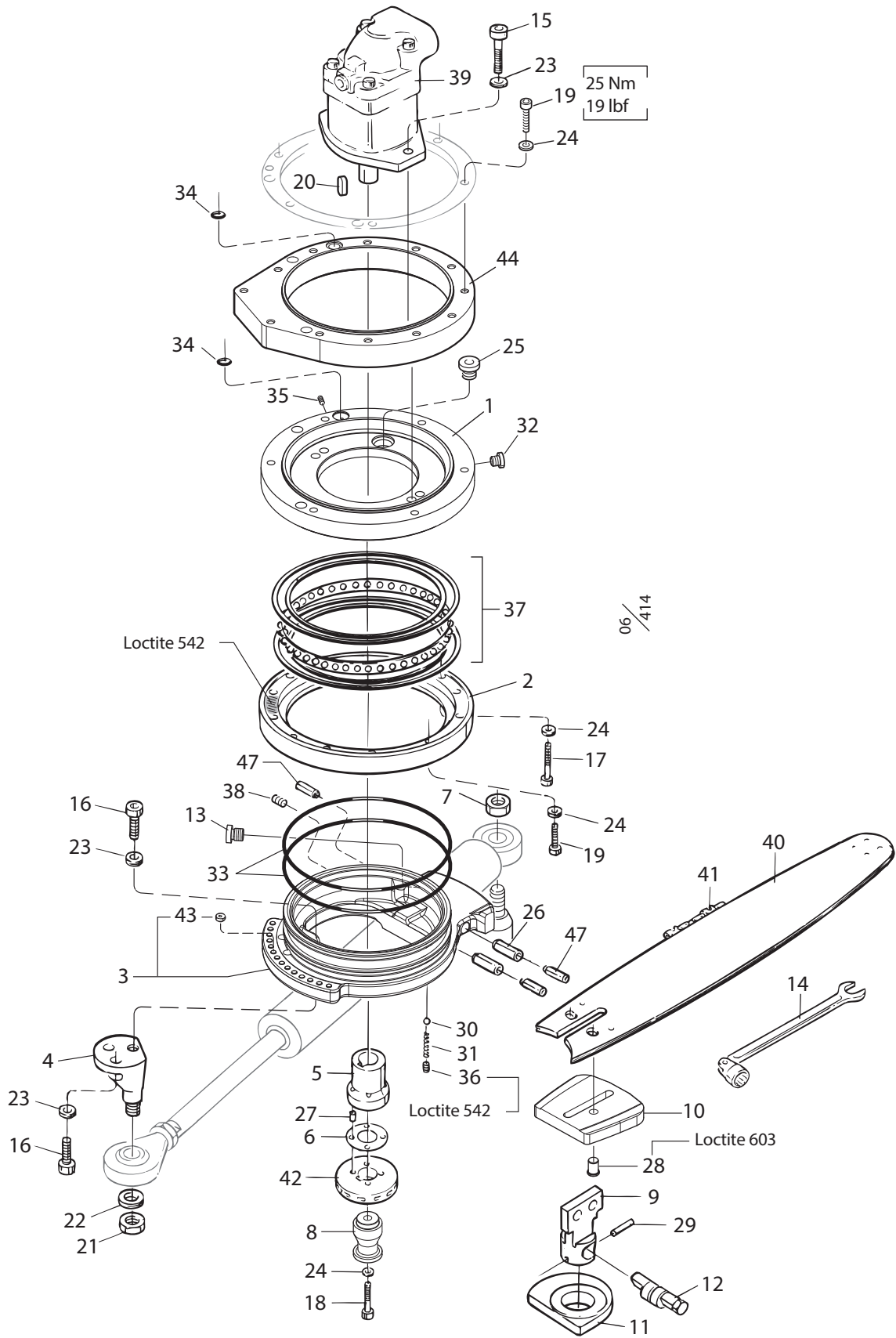
6. Saw unit

Log Max 5000D
Spare part manual

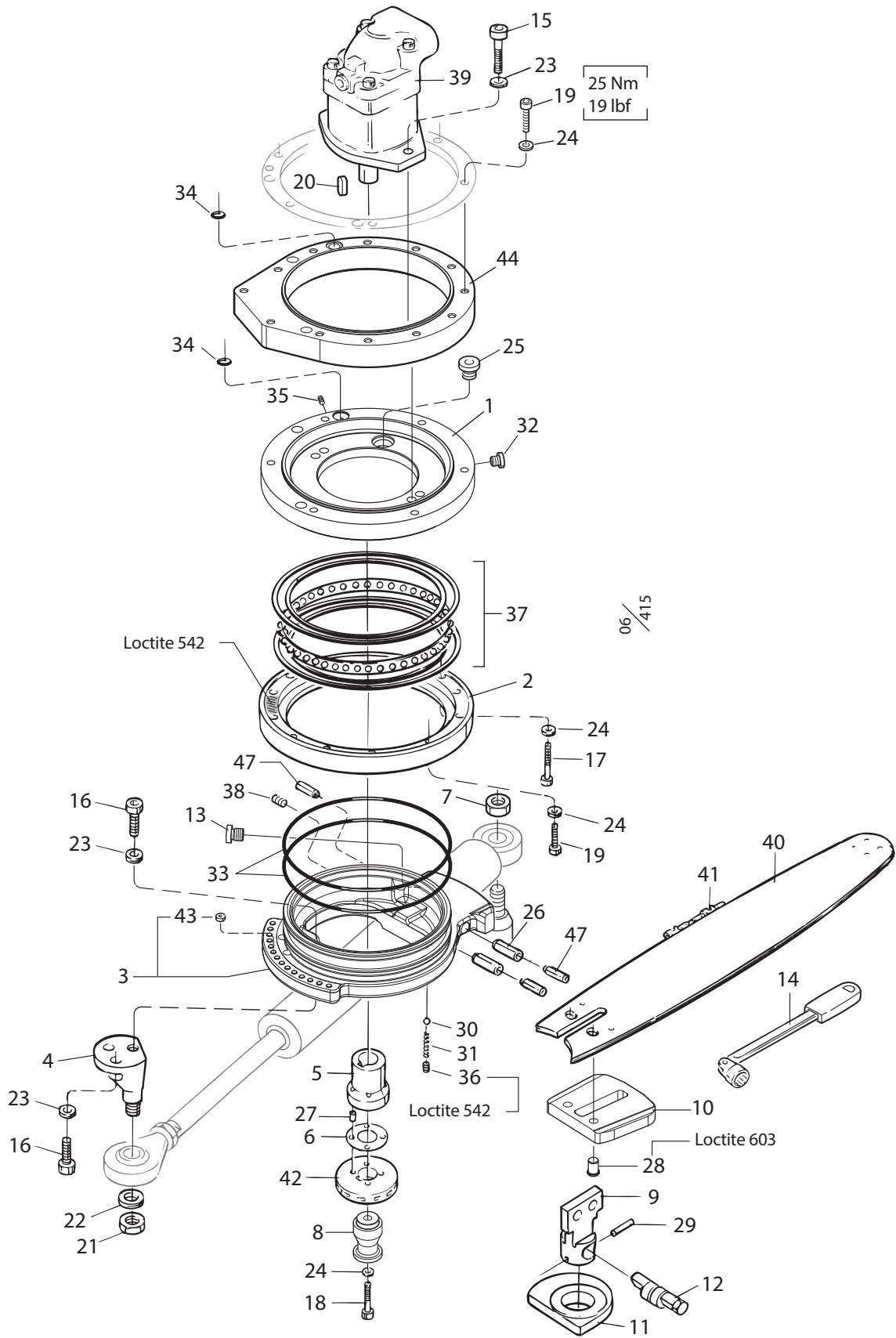


Saw unit 98B

Structure 005532D				
Pos.	Part no.	Quantity	Description	Specification
1	013172	1	Bracket	F11 – 19
2	012514	1	Cover	
3	016206	1	Saw bracket	
4	012335	1	Pin	
5	012334	1	Companion	F11 – 19
6	549210	Erf	Shim	25 – 0.5 mm
	549211	Erf	Shim	25 – 1.0 mm
7	502705	1	Nut	M16 Locking 12.9
8	012614	1	Chain catcher	F11 – 19
9	012518	1	Pin	
10	016935	1	Thrust plate	
11	012520	1	Excenter	"S"
	012736	1	Excenter	"M"
12	012519	1	Lock shaft	
13	601001	1	Hex plug	R 1/4"
14	522260	1	Comb. Wrench	
15	501110	2	Screw	MC6S M12x35 12.9
16	501108	3	Screw	MC6S M12x25 12.9
17	501076	6	Screw	MC6S M8x55 12.9
18	501075	1	Screw	MC6S M8x50 12.9
19	501071	18	Screw	MC6S M8x30 12.9
20	554027	1	Key	F11 – 19
21	502706	1	Nut	M16
22	503063	1	Washer	M16 Nordlock
23	503060	5	Washer	M12 Nordlock
24	503055	25	Washer	M8 Nordlock
25	602090	1	Plug	M22x1.5
26	515022	2	Cyl. pin	Ø 12x36
27	515010	4	Cyl. pin	Ø 6x20
28	016774	1	Cyl. pin	Ø 10
29	515013	1	Tension pin	6x32 FRP
30	511003	1	Steel ball	
31	526014	1	Spring	

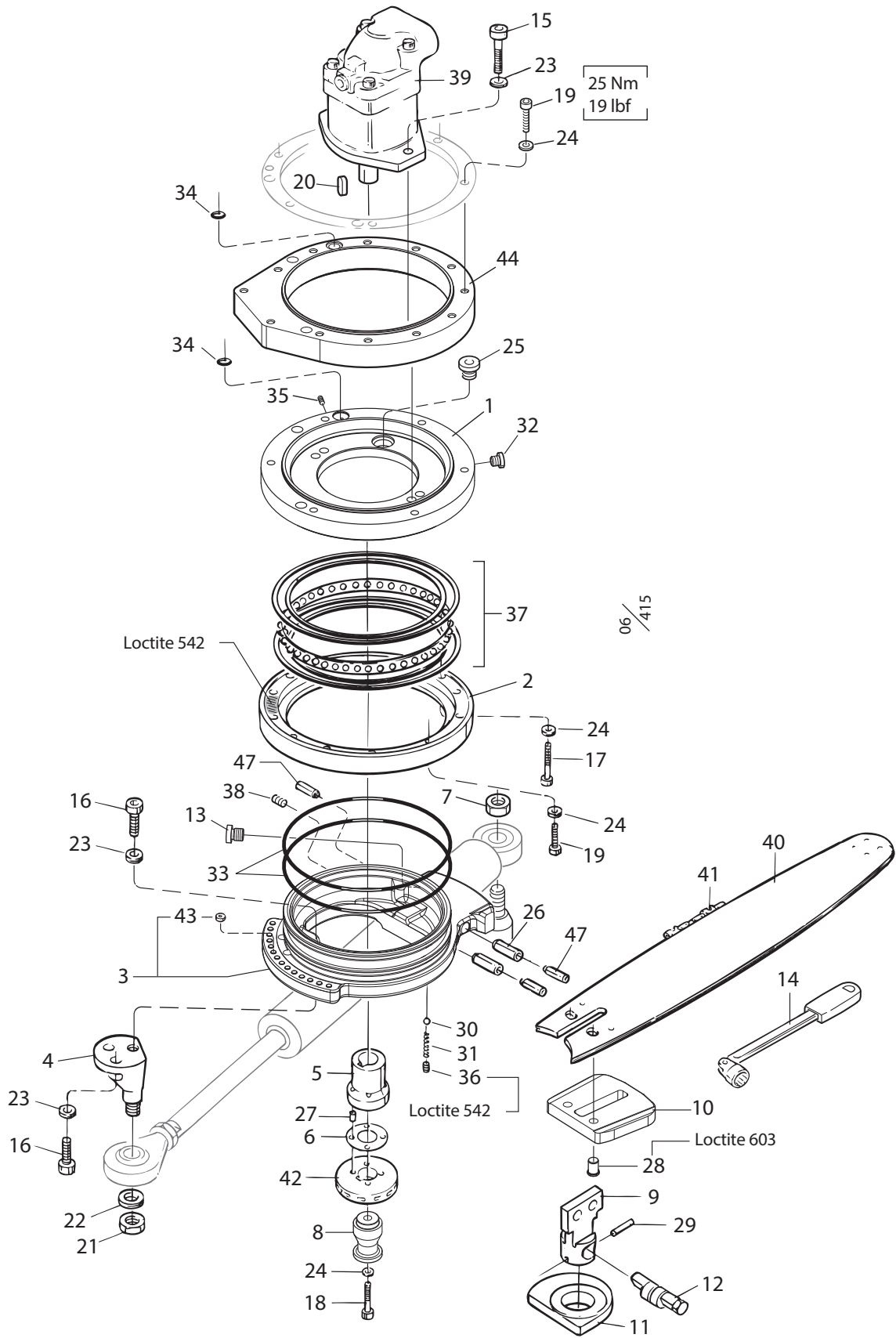


Structure				
Pos.	Part no.	Quantity	Description	Specification
32	602106	1	Plug	R 1/8" Conical /Konisk
33	543038	2	O-ring	Ø 180.0x3.0
34	540070	2	O-ring	Ø 13.3x2.4
35	513026	1	Screw	SK6SS 5x10
36	613017	1	Orifice	M6 – 2.5mm
37	508100	1	Bearing unit	
38	513040	1	Screw	P6SS M6x6
39	609118	1	Saw motor	F11 – 19
	554232	1	Seal kit	
40	549518-075	1	Saw bar	75 cm
41	549018-085	1	Saw chain	85 DL
42	549103	1	Sprocket	F11 – 19/12
43	514051	14	Magnet	
44	016522	1	Adapter plate	
47	515017	3	Cyl. pin	13x12 FRP

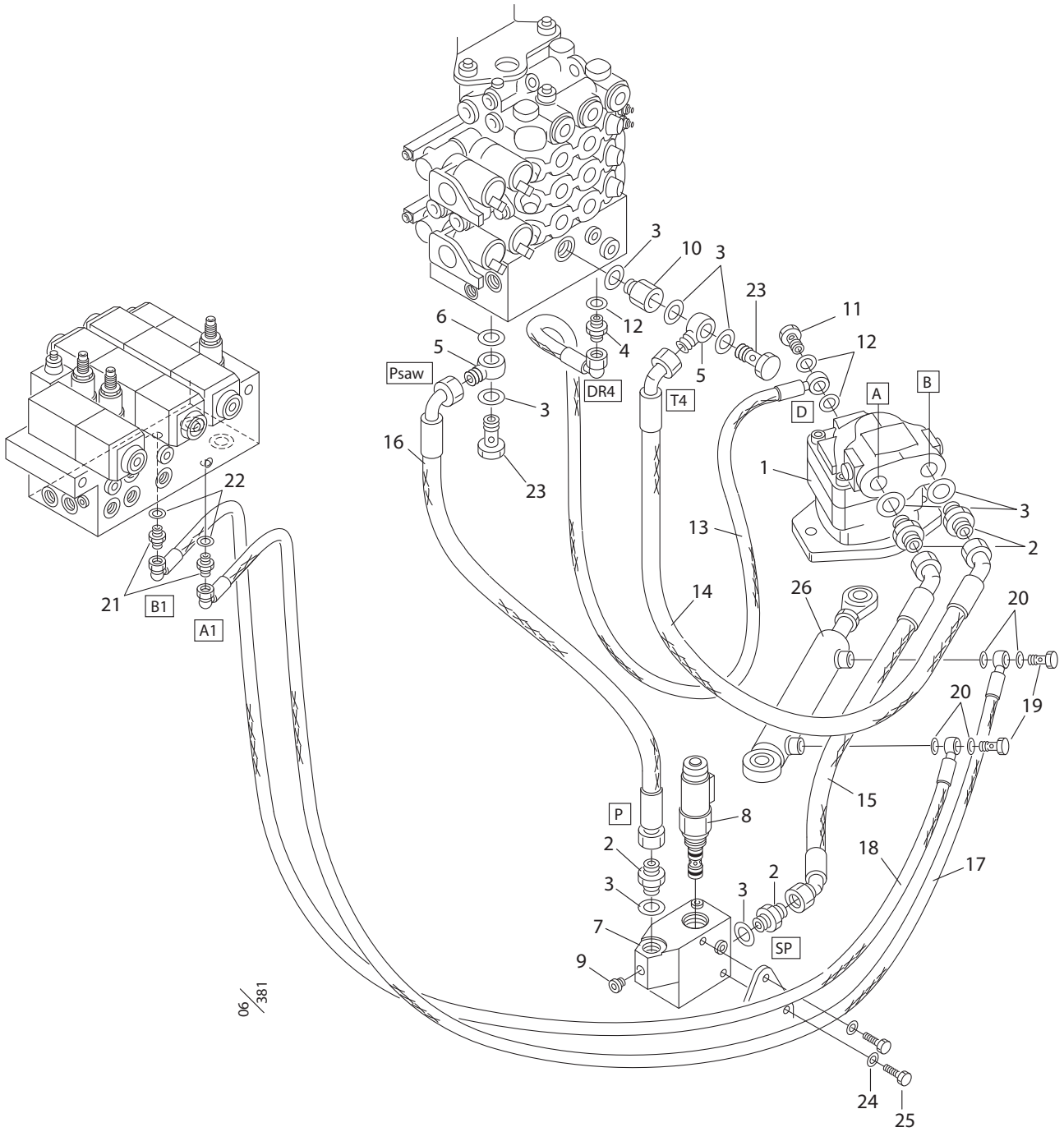


Saw unit 98XL

Structure 005532D, 033550				
Pos.	Part no.	Quantity	Description	Specification
1	013172	1	Bracket	F11 – 19
2	012514	1	Cover	
3	014570	1	Saw bracket	
4	012335	1	Pin	
5	012334	1	Companion	F11 – 19
6	549210	Erf	Shim	25 – 0.5 mm
	549211	Erf	Shim	25 – 1.0 mm
7	502705	1	Nut	M16 Locking 12.9
8	012614	1	Chain catcher	F11 – 19
9	013684	1	Pin	
10	016936	1	Thrust plate	"J"
11	015256	1	Excenter	"J"
	017118	1	Excenter	"K"
12	012519	1	Lock shaft	
13	601001	1	Hex plug	R 1/4"
14	522261	1	Wrench	16 mm
15	501110	2	Screw	MC6S M12x35 12.9
16	501108	3	Screw	MC6S M12x25 12.9
17	501076	6	Screw	MC6S M8x55 12.9
18	501075	1	Screw	MC6S M8x50 12.9
19	501071	18	Screw	MC6S M8x30 12.9
20	554027	1	Key	F11 – 19
21	502706	1	Nut	M16
22	503063	1	Washer	M16 Nordlock
23	503060	5	Washer	M12 Nordlock
24	503055	25	Washer	M8 Nordlock
25	602090	1	Plug	M22x1.5
26	515022	2	Cyl. Pin	Ø 12x36
27	515010	4	Cyl. Pin	Ø 6x20
28	016774	2	Cyl. Pin	Ø 10
29	515013	1	Tension pin	6x32 FRP
30	511003	1	Steel ball	
31	526014	1	Spring	

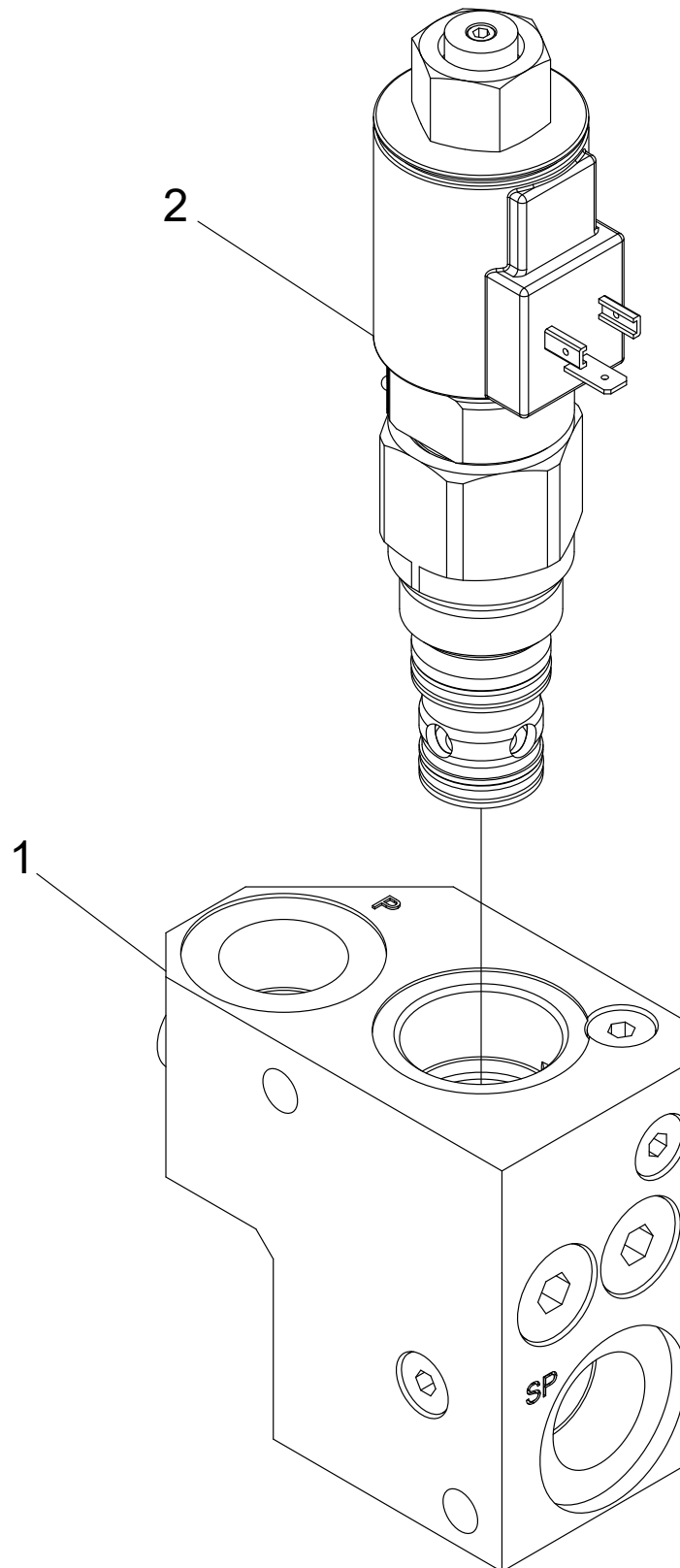


Structure				
Pos.	Part no.	Quantity	Description	Specification
32	602106	1	Plug	R 1/8" Conical / Konisk
33	543038	2	O-ring	Ø 180.0x3.0
34	540070	2	O-ring	Ø 13.3x2.4
35	513026	1	Screw	SK6SS 5x10
36	613017	1	Orifice	M6 – 2.5 mm
37	508100	1	Bearing unit	
38	513040	1	Screw	P6SS M6x6
39	609118	1	Saw motor	F11 – 19
	554232	1	Seal kit	F11 – 19
40	549518-175	1	Saw bar	75 cm
41	549018-086	1	Saw chain	86 DL
42	549103	1	Sprocket	F11 – 19/12
43	514051	14	Magnet	
44	016522	1	Adapter plate	
47	515017	3	Cyl. pin	13x12 FRP



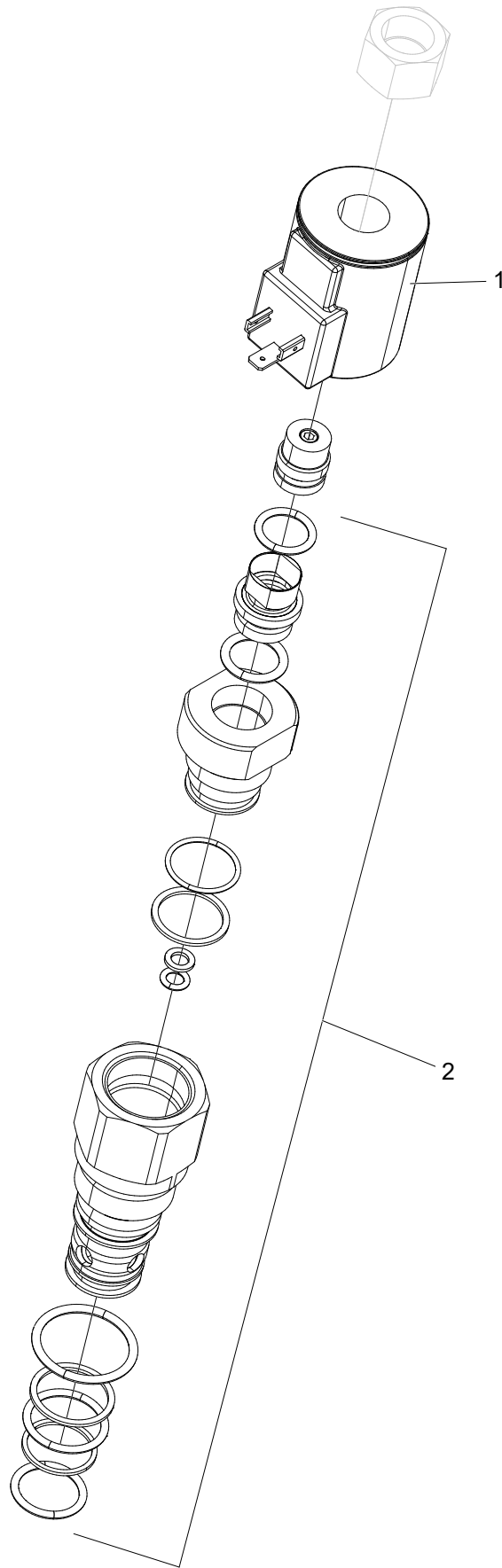
Saw hydraulics 98B & 98XL

Structure 005521D, 005522D, 005532D				
Pos.	Part no.	Quantity	Description	Specification
1	609118	1	Saw motor	F11 – 19
2	601040	4	Coupling	R 3/4" UF – R 3/4" UF
3	601104	8	Seal ring	3/4"
4	601032	1	Coupling	R 3/8" – R 3/8"
5	602017	2	Banjo body	3/4"
6	602109	1	Seal ring	3/4"
7	016726	1	Manifold cmpl	
8	612062	1	Saw valve	
	620355	1	Seal kit	
	613057	1	Solenoid	24 V
9	601001	1	Hex plug	1/4" R
10	602057	1	Coupling	R 3/4" – R 3/4" UF – IF
11	601061	1	Banjo bolt	R 3/8"
12	601102	3	Seal ring	3/8"
13	643030	1	Hose 3030	
14	643910	1	Hose 3910	
15	643909	1	Hose 3909	
16	643063	1	Hose 3063	
17	643079	1	Hose 3079	
18	643078	1	Hose 3078	
19	601060	2	Banjo bolt	R 1/4"
20	601200	4	Cu-washer	13x19x1.5
21	601028	2	Coupling	R 1/4" UF – R 1/4" UF
22	601101	2	Seal ring	1/4"
23	601067	2	Banjo bolt	R 3/4"
24	503057	2	Washer	M10 Nordlock
25	500066	2	Screw	M6S M10x20 8.8 FZB
26	015669	1	Cylinder	Ø 40/25 – 106



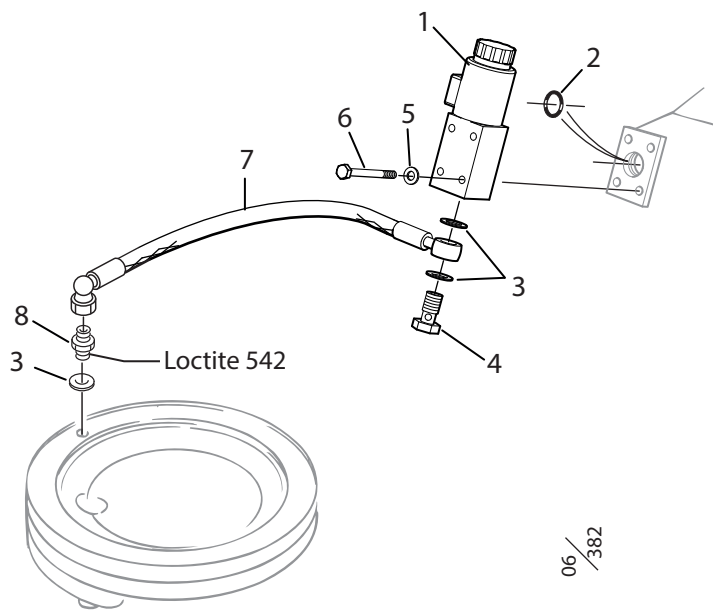
Manifold

Structure 016726				
Pos.	Part no.	Quantity	Description	Specification
1	612034	1	Manifold	
2	10000803	1	Flow control valve	



Flow control valve

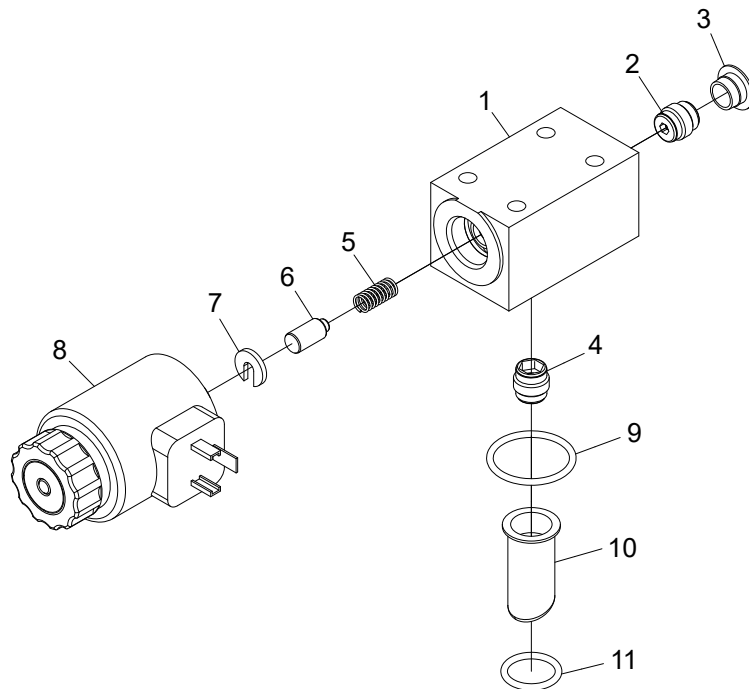
Structure 10000803				
Pos.	Part no.	Quantity	Description	Specification
1	613057	1	Solenoid	
2	620355	1	Seal kit	



06/
382

Chain lubrication - Easy Greasy

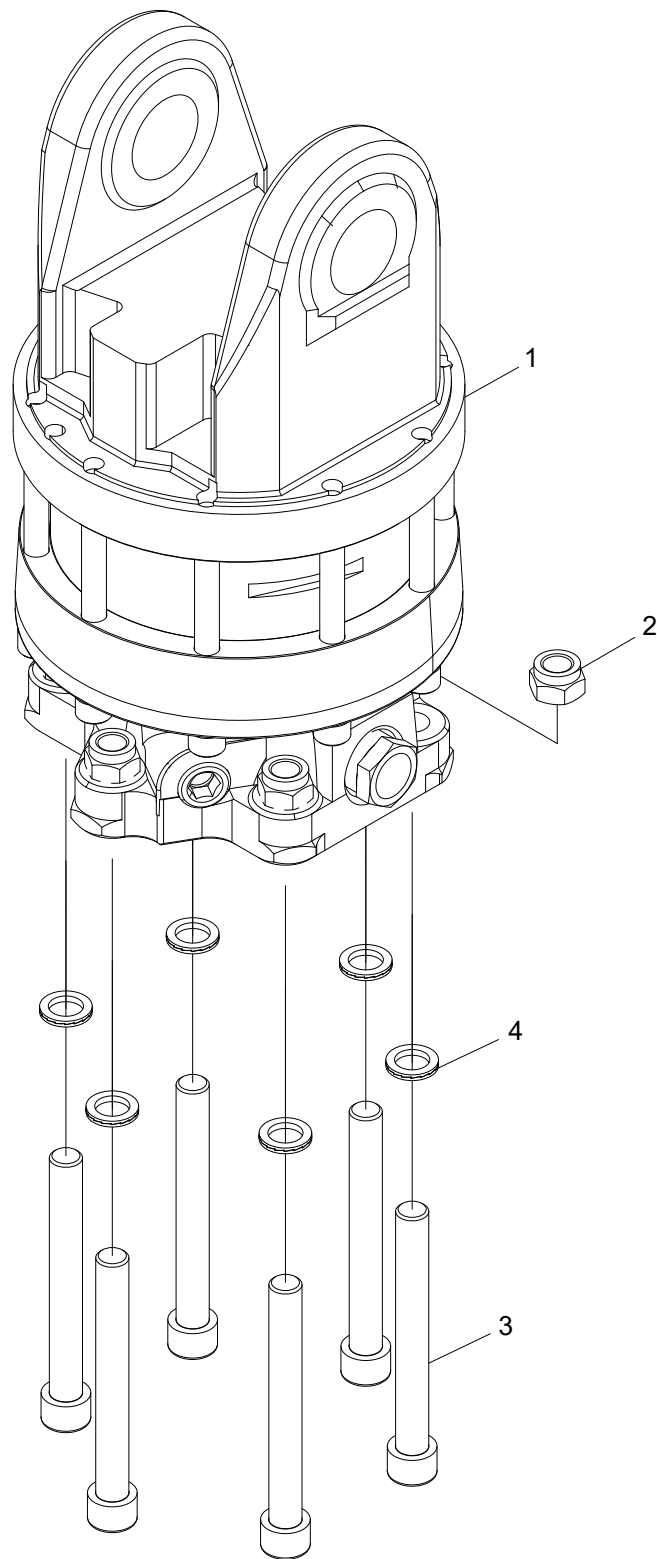
Structure 005513D-3				
Pos.	Part no.	Quantity	Description	Specification
1	10003110	1	Pump cmpl	
2	540074	1	O-ring	Ø 17.3x2.4
3	601101	3	Seal ring	1/4"
4	601060	1	Banjo bolt	R 1/4"
5	503065	4	Washer	M6 Nordlock
6	500029	4	Screw	M6S M6x45 8.8 FZB
7	643110	1	Hose 3110	
8	014092	1	Coupling	G 1/4"



Easy Greasy pump

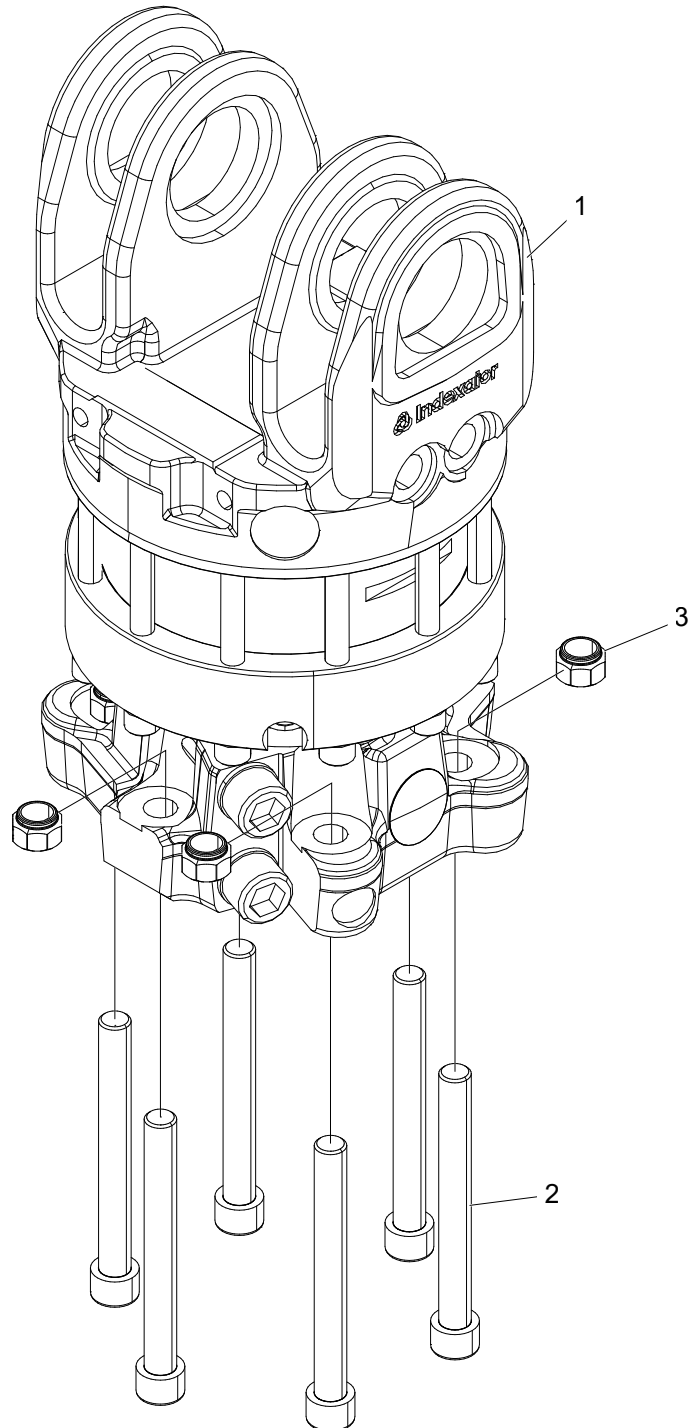
Structure 10003110				
Pos.	Part no.	Quantity	Description	Specification
1	016282	1	Pump housing	
2	617048	1	Check valve	1,5 bar
3	522002	1	Plug	KS15 (G1/4)
4	617016	1	Check valve	0,05-0,07 bar
5	526005	1	Spring	
6	010897	1	Piston	0,20 ccm
7	016426	1	Spacer	
8	613062	1	Solenoid	24V
9	543012	1	O-ring	Ø27,6x2,4
10	620302	1	Filter	
11	540074	1	O-ring	Ø17,3x2,4

7. Rotators



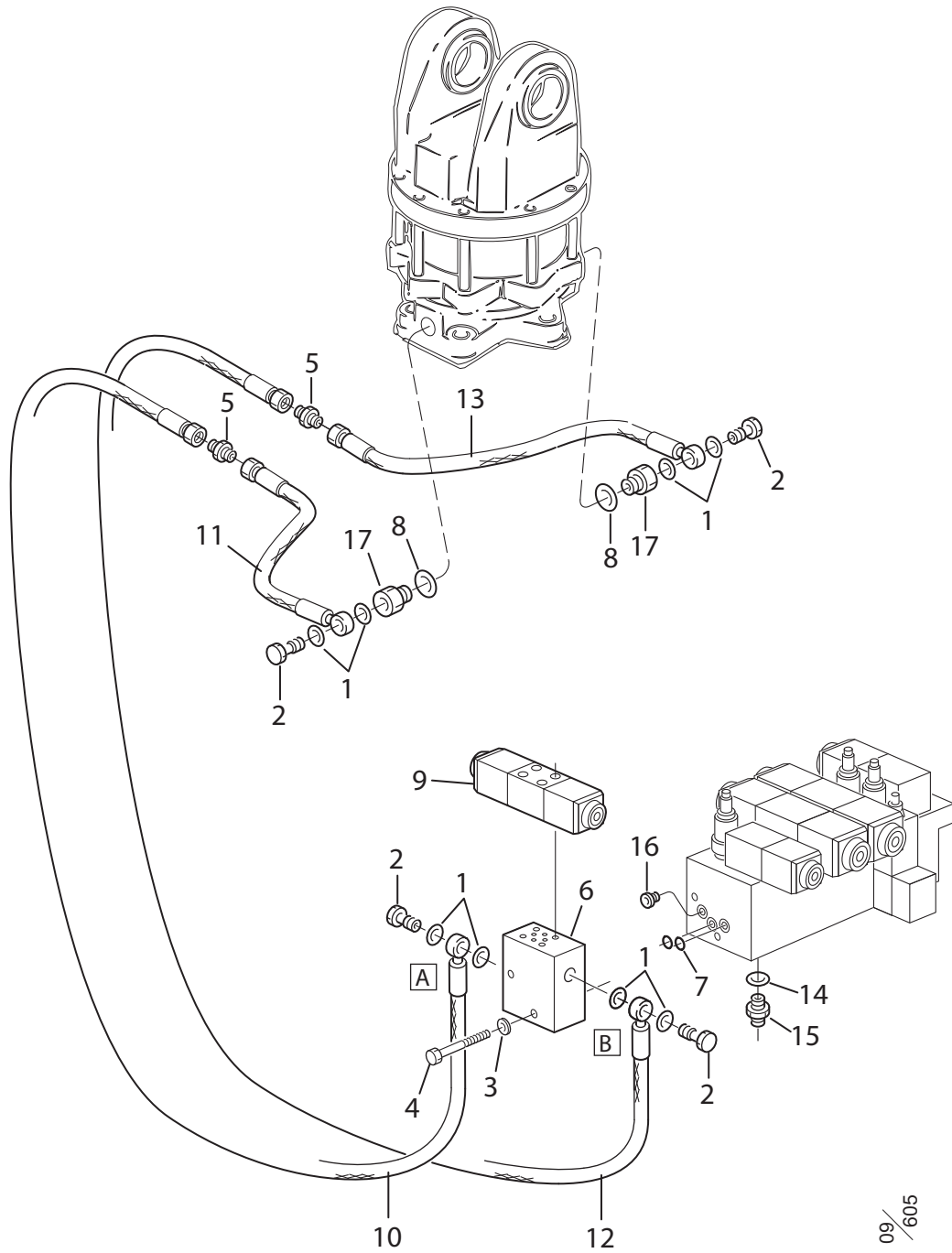
Rotator AV12S

Structure 033014				
Pos.	Part no.	Quantity	Description	Specification
1	618031	1	Rotator	
2	502705	6	Nut	M16
3	501145	6	Screw	M16x140 12.9
4	503063	6	Washer	NL16



Rotator H152D

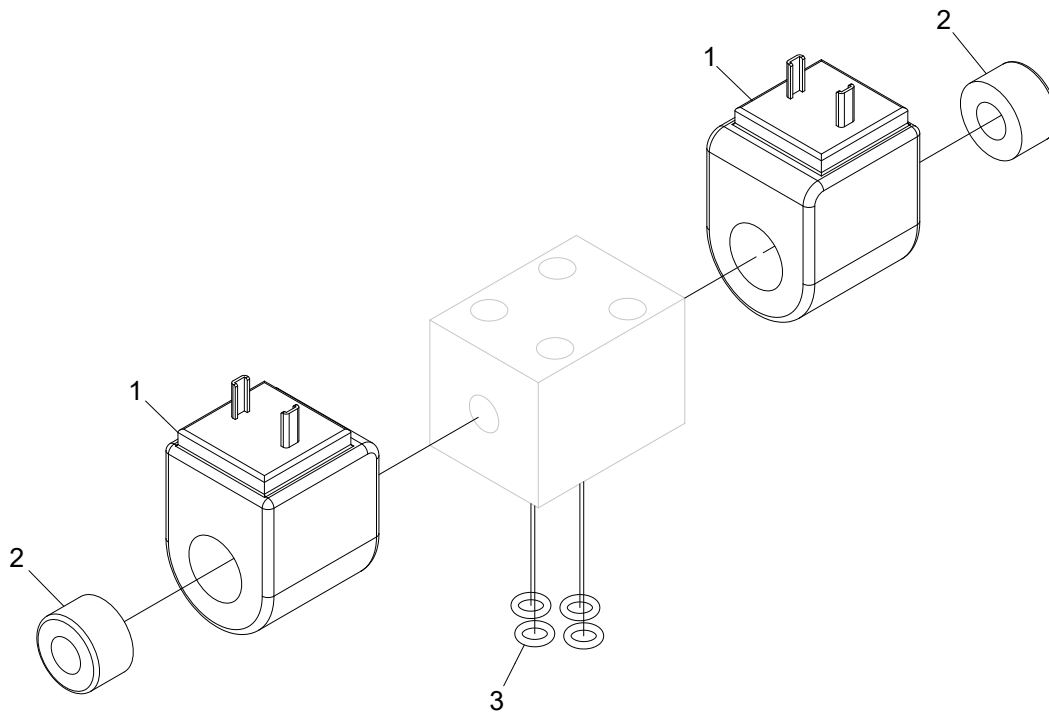
Structure 033083				
Pos.	Part no.	Quantity	Description	Specification
1	618075	1	Rotator	
2	501146	6	Screw	M16x150 12.9
3	502705	6	Nut	M16 FZB



09/605

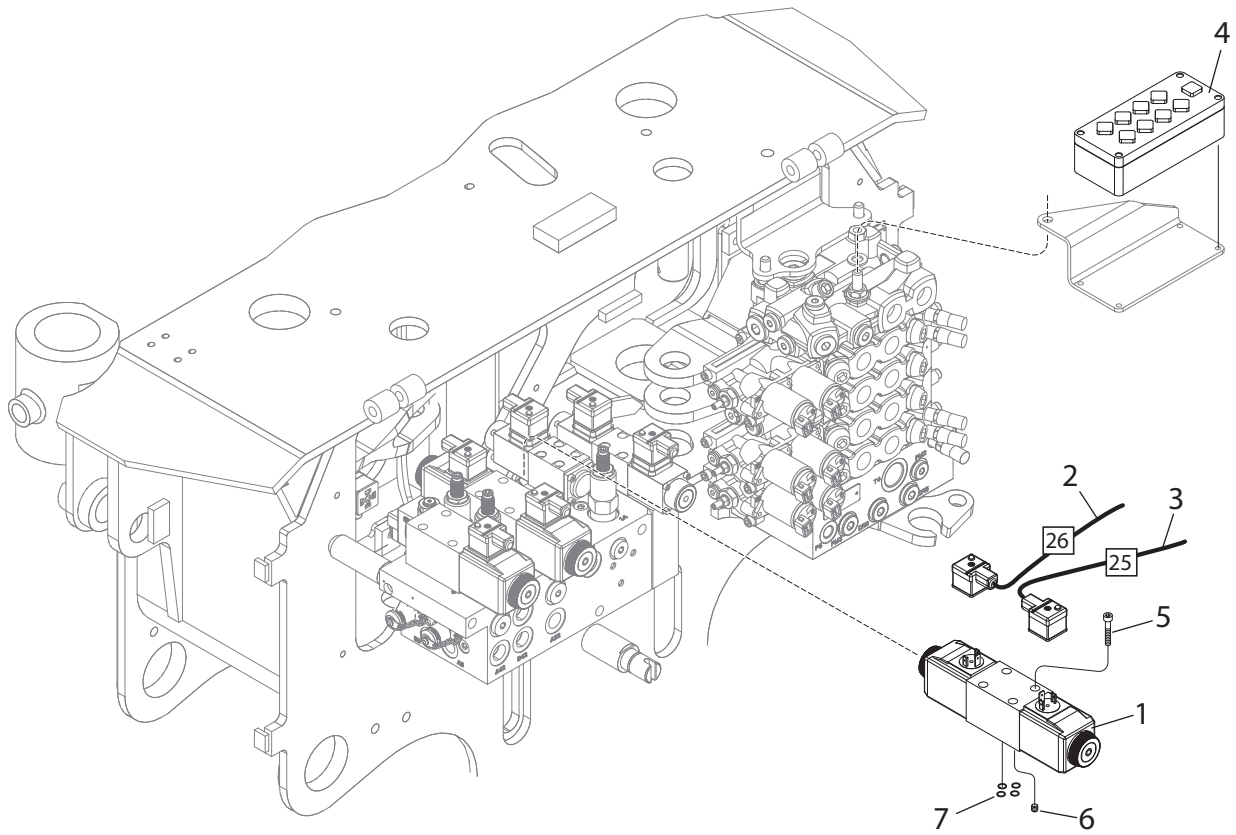
Rotator control, valve

Structure 033504, 033509				
Pos.	Part no.	Quantity	Description	Specification
1	601200	8	Cu-washer	13x19x1.5
2	601060	4	Banjo bolt	R 1/4"
3	503057	2	Washer	M10
4	500074	2	Screw	M6S M10x55 8.8 FZB
5	601028	2	Coupling	R 1/4"UF – R 1/4"UF
6	013865	1	Manifold	
7	619057	2	Seal ring	12.42x1.78
8	601103	2	Seal ring	1/2"
9	10001141	1	Directional valve	24 V On – Off
	612031	1	Directional valve	24 V Proportional / Proportionell
10	649283	1	Hose 9283	
11	649284	1	Hose 9284	
12	649316	1	Hose 9316	
13	649317	1	Hose 9317	
14	601102	1	Seal ring	3/8"
15	601029	1	Coupling	R 1/4" UF – R 3/8" UF
16	601001	1	Hex plug	1/4" R
17	602059	2	Coupling	R 1/2" – R 1/4" UF – IF



Directional valve

Structure 10001141				
Pos.	Part no.	Quantity	Description	Specification
1	10001310	1	Solenoid	
2	10001311	1	Nut	
3	543010	4	O-ring	6,07x1,78 NBR 90

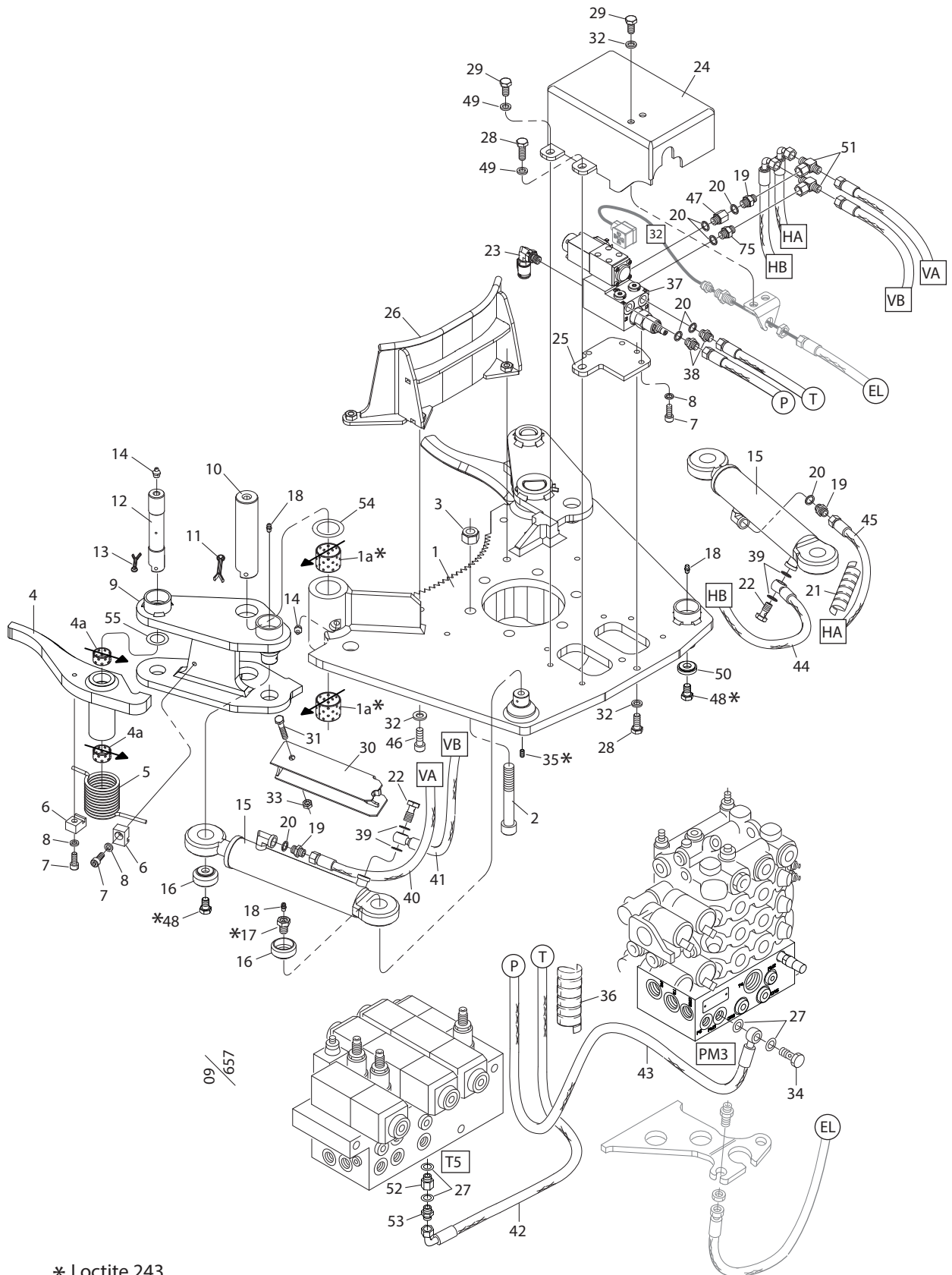


09 / 564

Electrical system

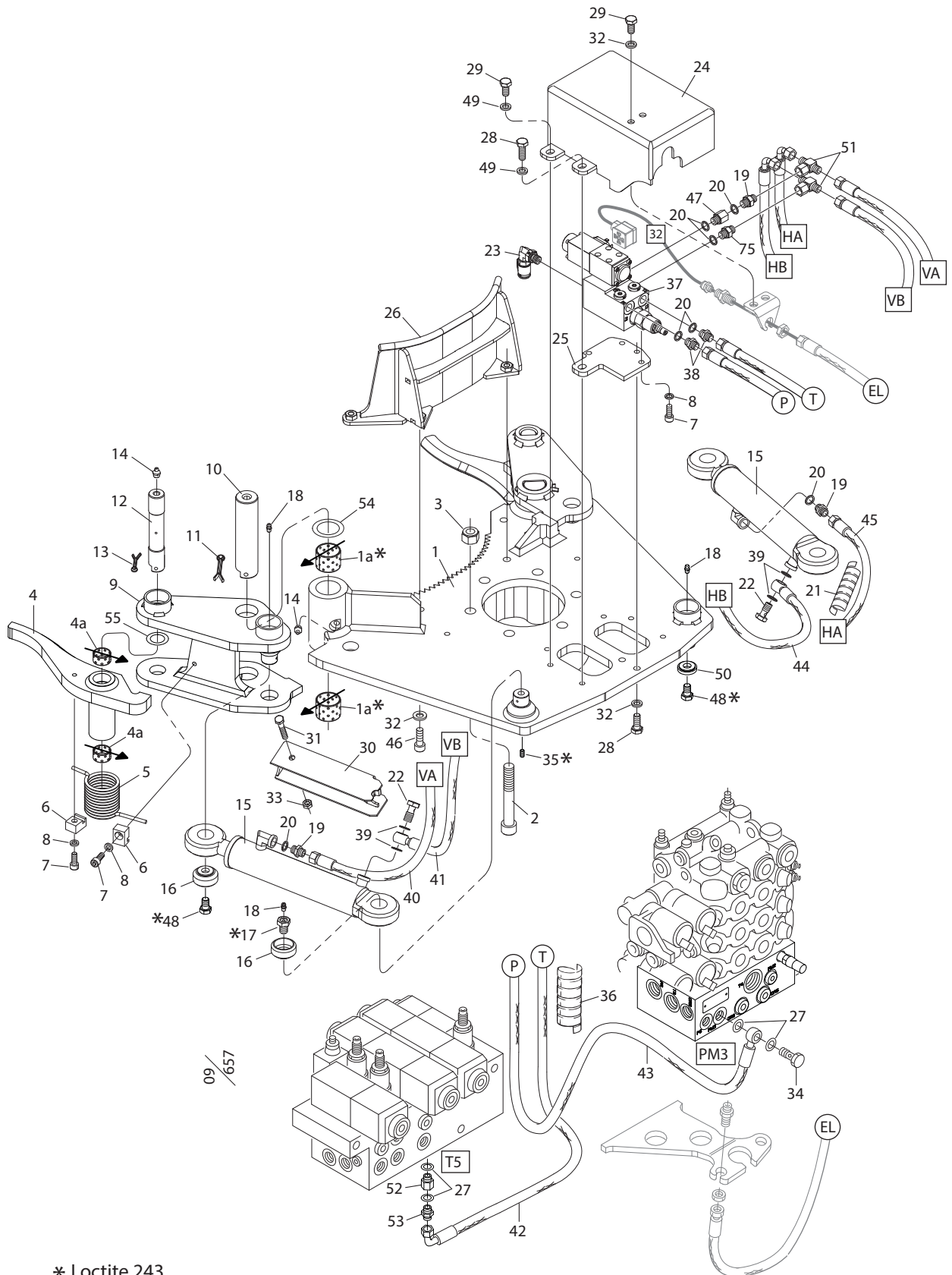
Structure 033504, 033509				
Pos.	Part no.	Quantity	Description	Specification
1	612047	1	Valve	24 V On – Off
	612031	1	Valve	24 V Proportional / Proportionell
2	401232	1	Cable	"26", Log Mate 500, Dasa Forester, Dasa4/Cabswin, IT/PC & VU
3	401232	1	Cable	"25", Log Mate 500, Dasa Forester, Dasa4/Cabswin IT/PC & VU
4	7009846	1	Box	Dasa4/Cabswin Green / Grön
5	501032	4	Screw	MC6S M5x35 12.9
6	613031	1	Orifice	Only / Endast On / Off – Valve
7	540034	4	O-ring	6.07x1.78

8. Accessories

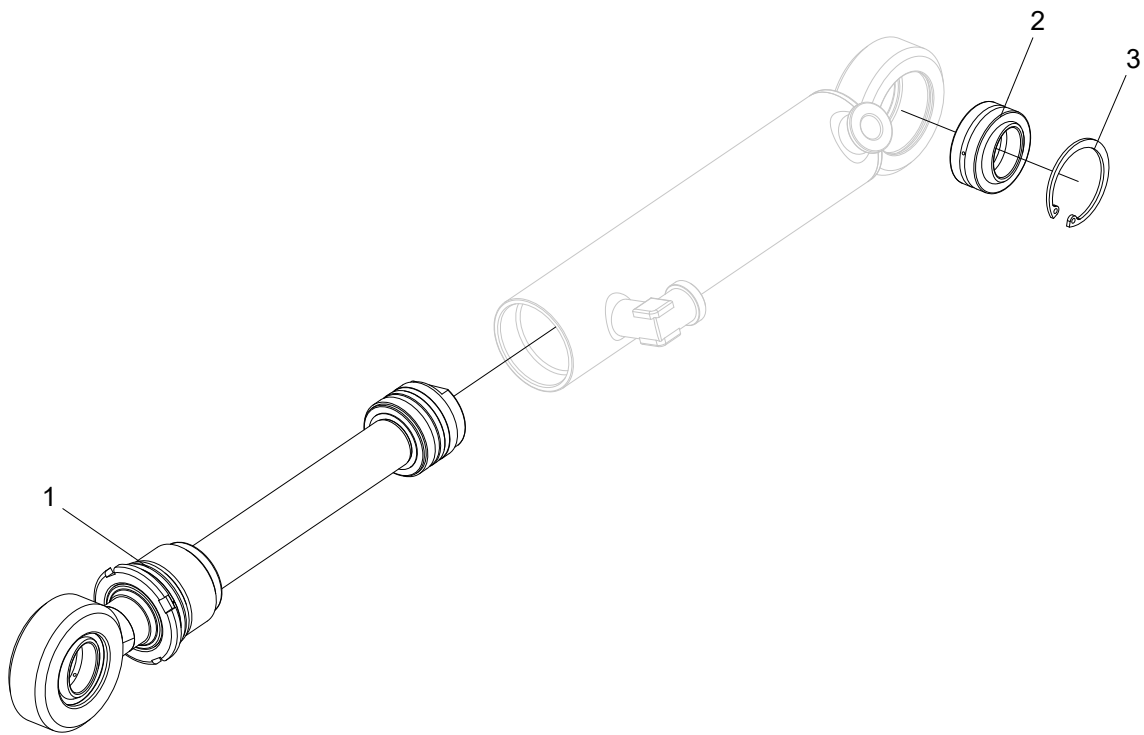


Accumulation kit

Structure 037102				
Pos.	Part no.	Quantity	Description	Specification
1	015553	1	Bracket	
1a	512012	4	Bushing	Ø 35x30
2	505049	6	Screw	MC6S M16x220 12.9
	501149	6	Screw	MC6S M16x240 12.9
3	502705	6	Nut	M16
4	015560	2	Arm	
4a	512004	4	Bushing	Ø 25x15
5	015081	2	Spring	
6	015079	4	Clamp	
7	501068	6	Screw	MC6S M8x20 12.9
8	503055	6	Washer	M8 Nordlock
9	015558	2	Arm	
10	010178-1	2	Pin	Ø 35 L= 145 mm
11	516002	2	Cotter pin	6.3x50
12	011087	2	Pin	Ø 25 L= 143 mm
13	516001	2	Cotter pin	5x32 FZB
14	625000	4	Grease nipple	KR 1/8" R
15	019000	2	Cylinder	
16	012447	3	Sleeve	
17	012650	1	Screw	
18	625004	4	Grease nipple	M6
19	601028	6	Coupling	R 1/4" UF – R 1/4" UF
20	601101	7	Seal ring	1/4"
21	615049	1	Hose cover	3/4" 600mm
22	601060	2	Banjo bolt	R 1/4"
23	601263	1	Test point	1/4"
24	016670	1	Cover	
25	016668	1	Bracket	
26	017067	1	Support plate	
27	601102	4	Seal ring	3/8"
28	500068	3	Screw	M6S M10x25 8.8 FZB
29	500066	5	Screw	M6S M10x25 8.8 FZB
30	014511	2	Cylinder cover	

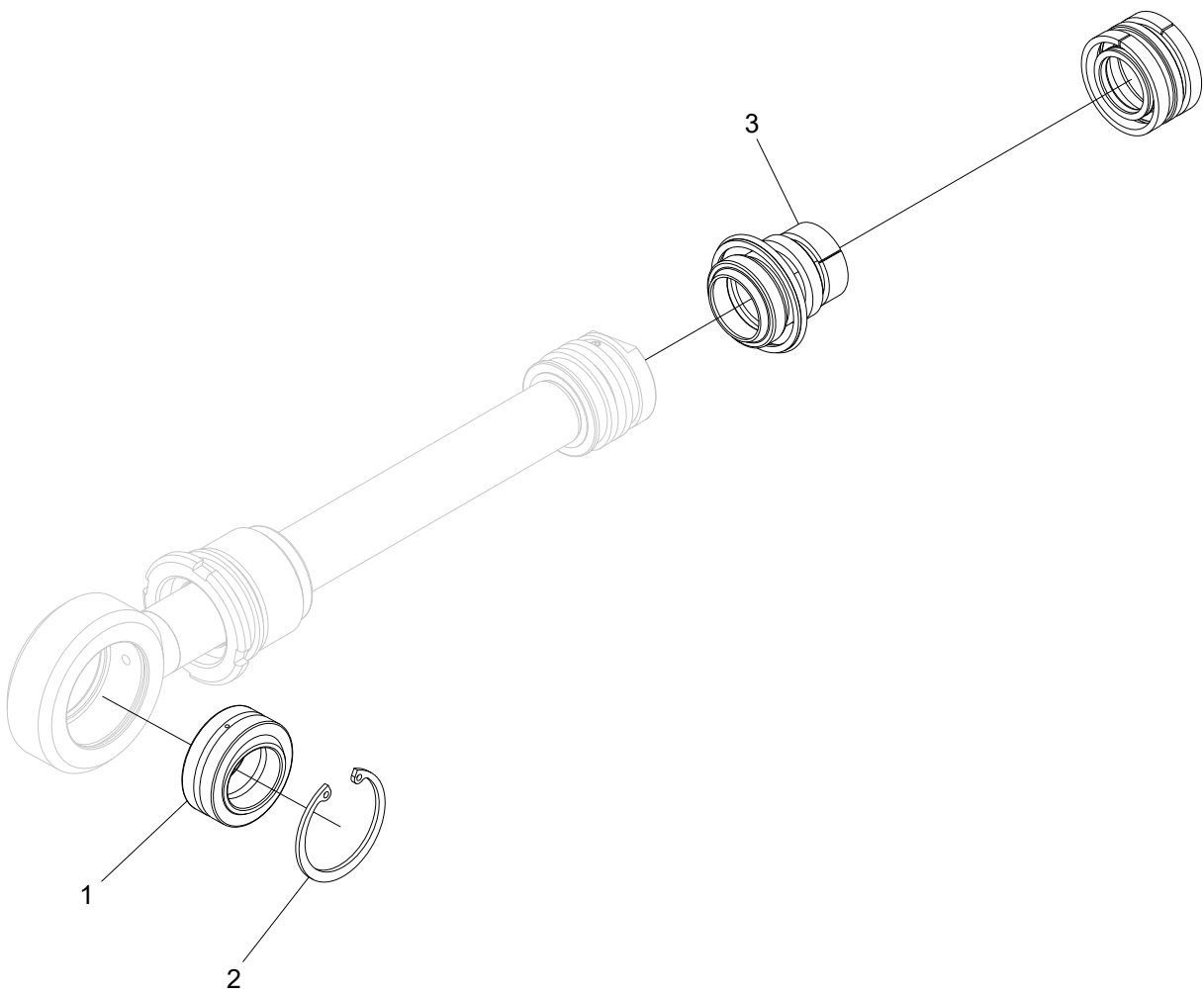


Structure				
Pos.	Part no.	Quantity	Description	Specification
31	500077	2	Screw	M6S M10x70 8.8 FZB
32	503057	8	Washer	M10 Nordlock
33	502055	2	Nut	M10 Locking
34	601061	1	Banjo bolt	R 3/8"
35	513040	1	Plug	P6SS M6x6
36	615050	1	Hose cover	1" 1500mm
37	013862	1	Manifold	
38	601029	2	Coupling	R 1/4" UF – R 3/8" UF
39	601200	4	Cu-washer	13x19x1.5
40	643116	1	Hose 3116	
41	643115	1	Hose 3115	
42	643119	1	Hose 3119	
43	643118	1	Hose 3118	
44	643113	1	Hose 3113	
45	643114	1	Hose 3114	
46	500070	4	Screw	M6S M10x35 8.8 FZB
47	602055	1	Coupling	R 1/4" – R 1/4" UF – IF
48	500087	3	Screw	M6S M12x16 8.8 FZB
49	503075	4	Washer	M10 Nordlock Big / Stor
50	018125	1	Washer	Ø 30
51	601015	2	T-adaptor	R 1/4" UF – IR
52	602051	1	Coupling	R 3/8" – R 3/8" UF – IF
53	601032	1	Coupling	R 3/8" – R 3/8"
54	507001	2	Shim	36x45x1.0
55	507057	Erf.	Shim	26x40x0.5
	507057-1	Erf.	Shim	26x40x1.0



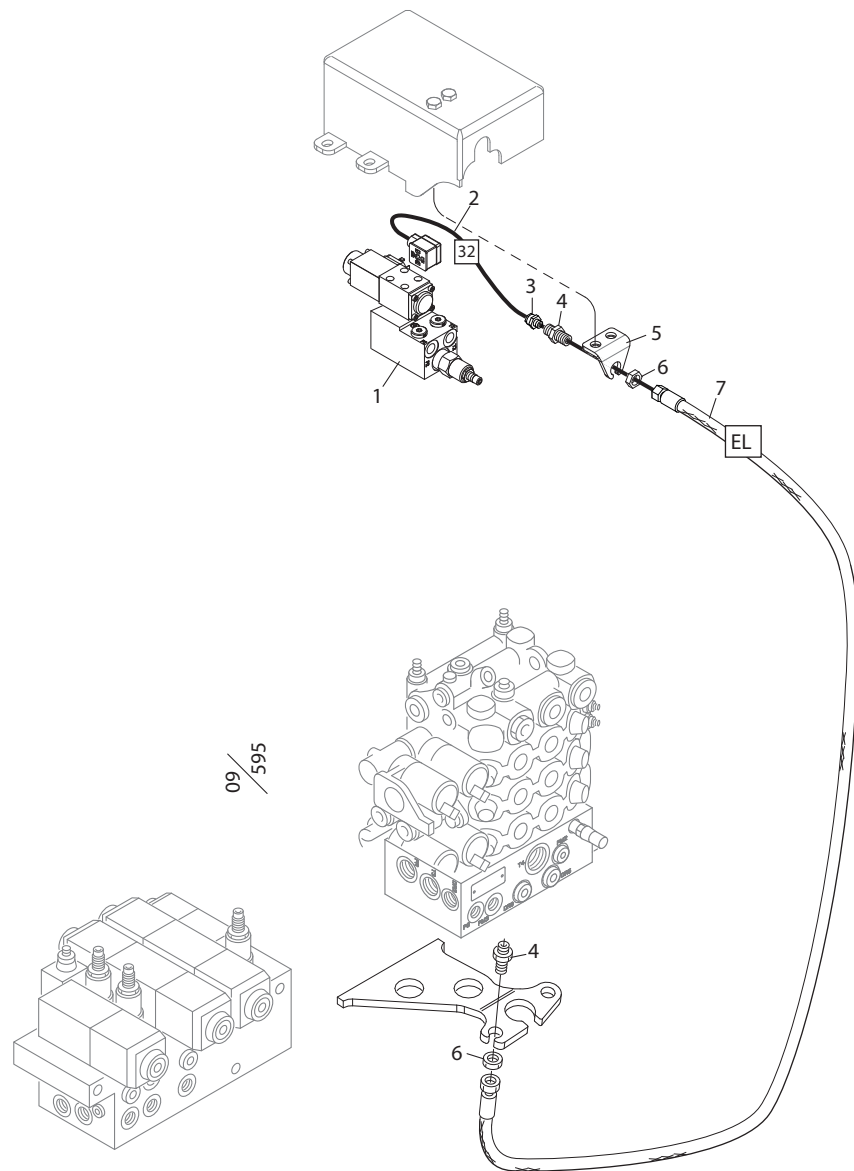
Cylinder Ø40/25-150

Structure 019000				
Pos.	Part no.	Quantity	Description	Specification
1	10000843	1	Rod kit	
2	510006	1	Spherical bushing	GE25-ES
3	517236	1	Circlip	SGH 42



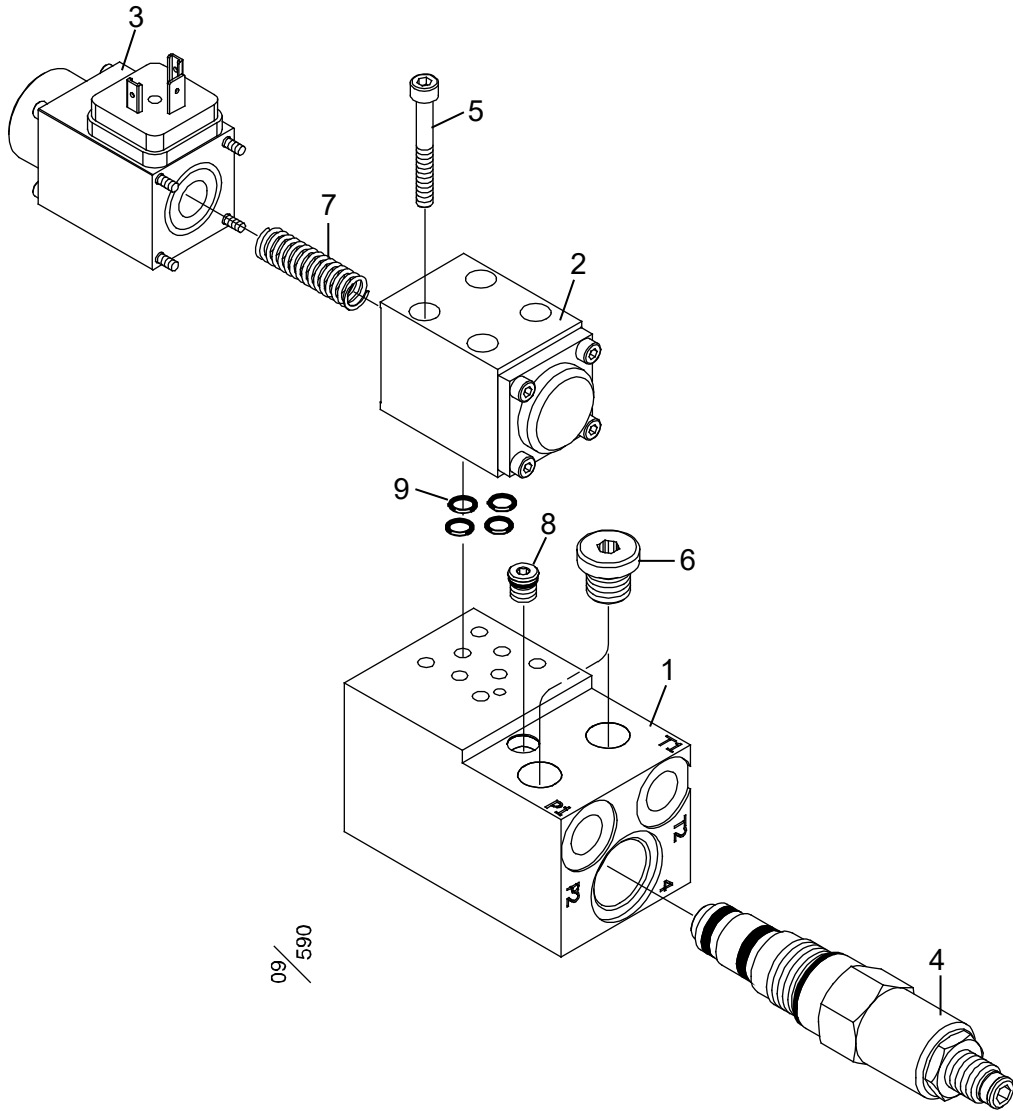
Rod kit

Structure 10000843				
Pos.	Part no.	Quantity	Description	Specification
1	510006	1	Spherical bushing	GE25-ES
2	517236	1	Circlip	SGH 42
3	10000842	1	Seal kit	



Electrical system, accumulation kit

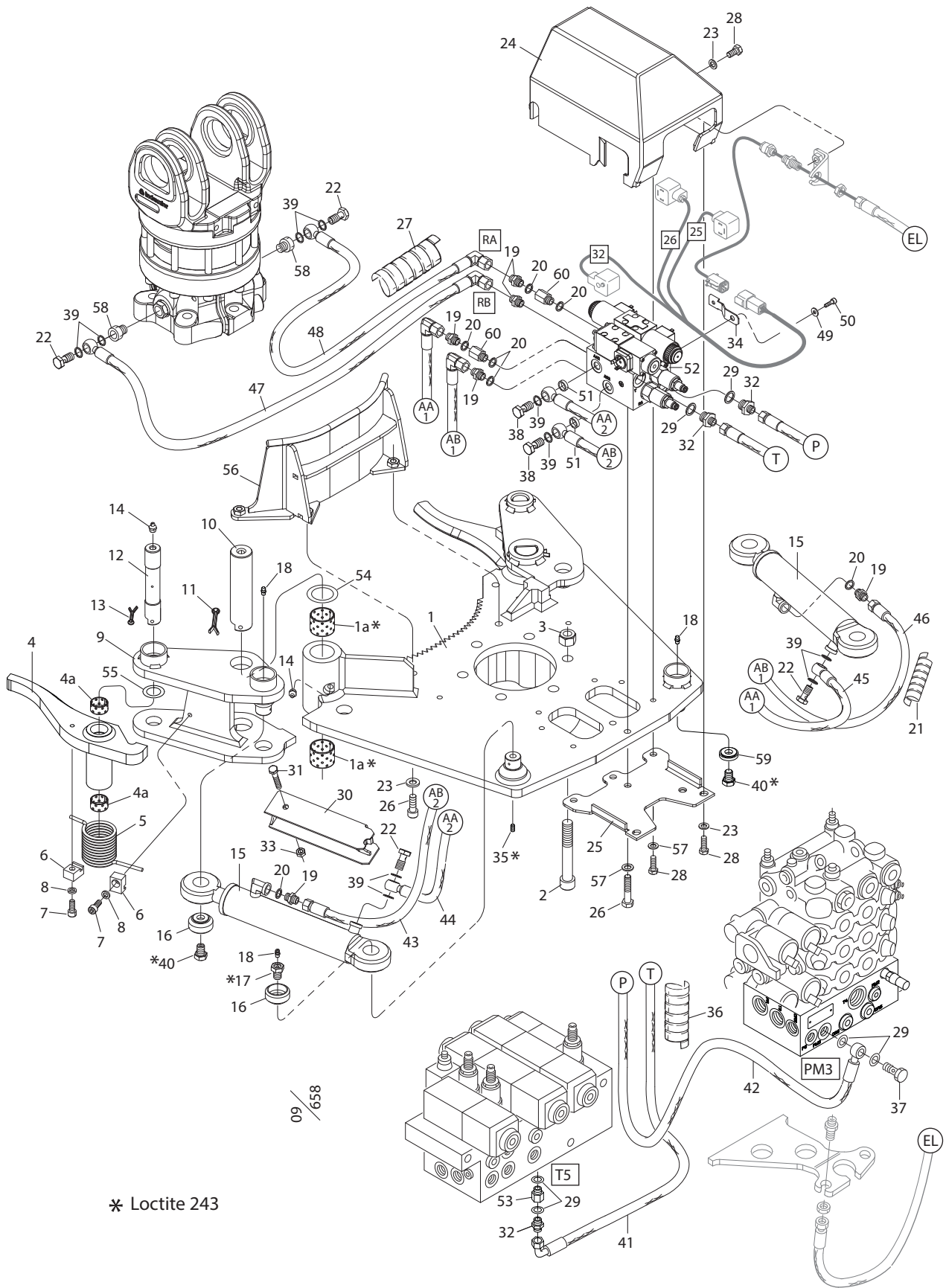
Structure 037102				
Pos.	Part no.	Quantity	Description	Specification
1	013862	1	Manifold	
2	671169	1	Cable	"32" Log Mate 500 Dasa Forester VU
	671168	1	Cable	"32" Dasa4 / Cabswin
3	401770	1	Cable sleeve	PG 9
4	014287	2	Bulk head	R 3/8"
5	016666	1	Cable bracket	
6	601249	2	Nut	R 3/8"
7	643117	1	Hose 3117	



Log Max 4000B/ 5000D

Manifold

Structure 013862				
Pos.	Part no.	Quantity	Description	Specification
1	612044	1	Manifold	
2	10001139	1	Valve	24 V
3	613081	1	Solenoid	NG4
4	619016	1	Pressure reducer	
5	501033	4	Screw	MC6S M5x40 12.9
6	601001	2	Hex plug	1/4" R
7	613082	1	Spring	NG4 Vickers
8	601020	1	Plug	
9	540036	4	O-ring	7.66x1.78

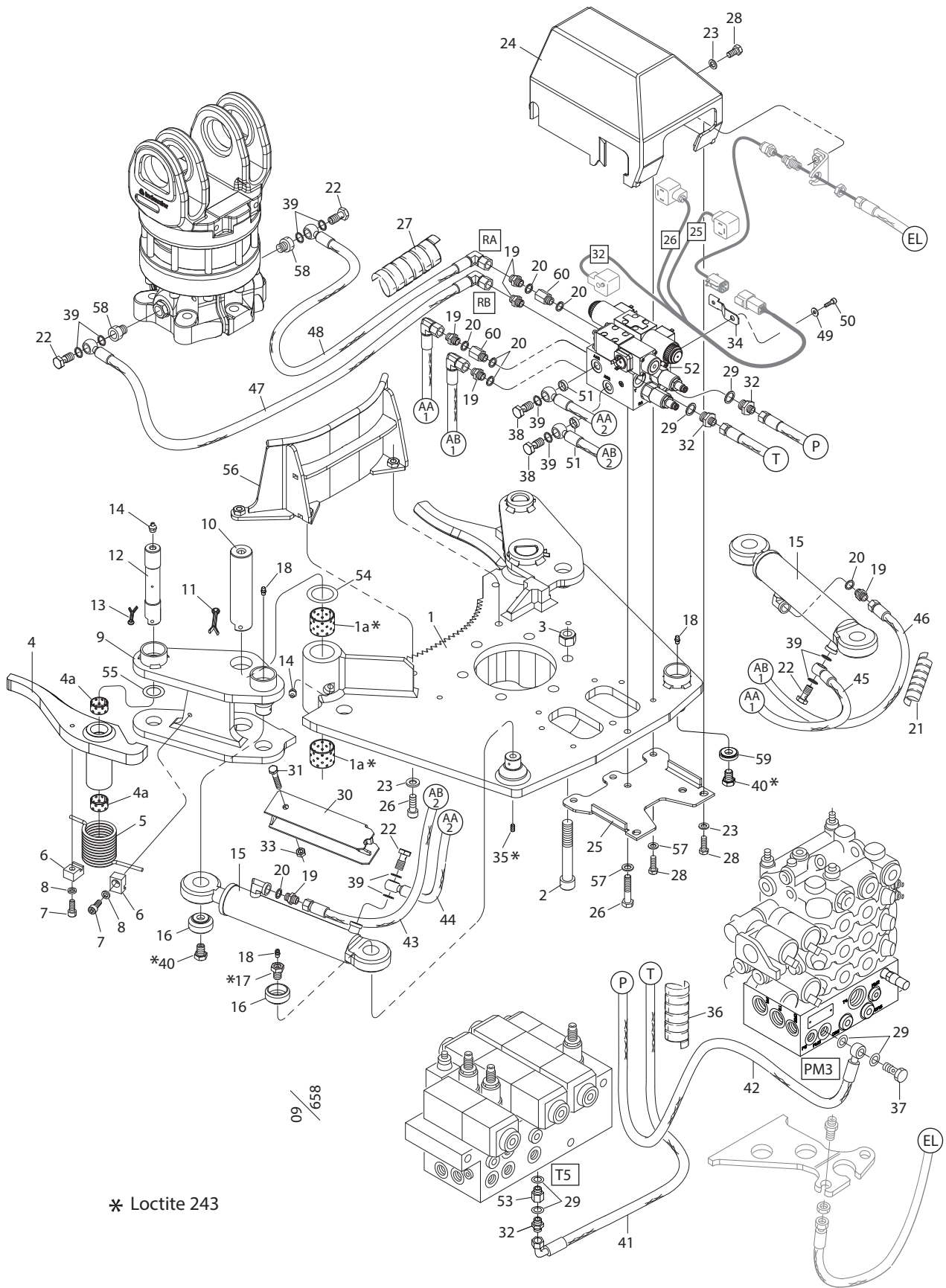


* Loctite 243

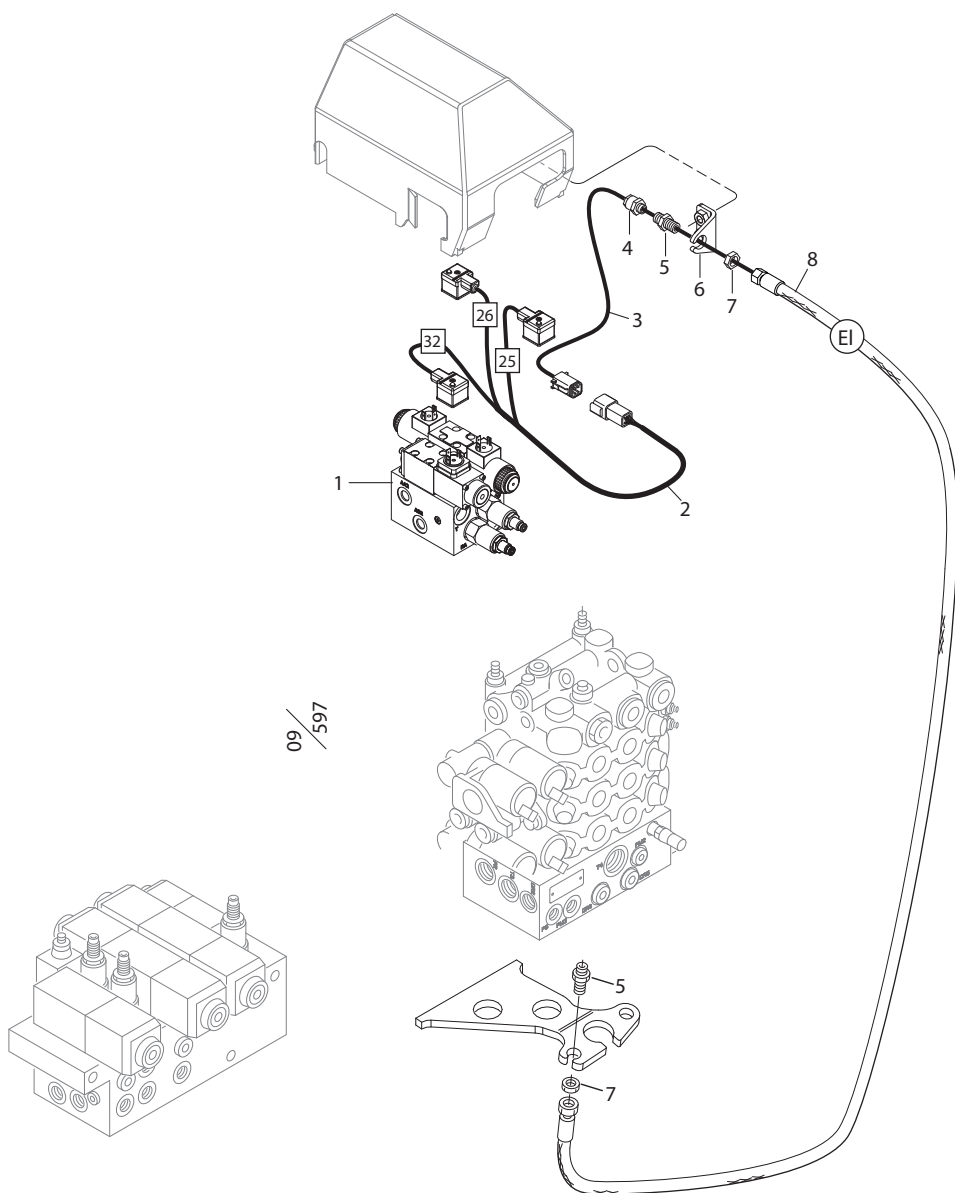
09 / 658

Accumulation kit with rotator control

Structure 037103				
Pos.	Part no.	Quantity	Description	Specification
1	015553	1	Bracket	
1a	512012	4	Bushing	Ø 35x30
2	505049	6	Screw	MC6S M16x220 12.9
	501149	6	Screw	MC6S M16x240 12.9
3	502705	6	Nut	M16
4	015560	2	Arm	
4a	512004	4	Bushing	Ø 25x15
5	015081	2	Spring	
6	015079	4	Clamp	
7	501068	4	Screw	MC6S M8x20 12.9
8	503055	4	Washer	M8 Nordlock
9	015558	2	Arm	
10	010178-1	2	Pin	Ø 35 L=145 mm
11	516002	2	Cotter pin	6.3x50
12	011087	2	Pin	Ø 25 L=143 mm
13	516001	2	Cotter pin	5x32
14	625000	4	Grease nipple	KR 1/8" R
15	015058	2	Cylinder	Ø 40/25 – 150
16	012447	3	Sleeve	
17	012650	1	Screw	
18	625004	4	Grease nipple	M6
19	601028	6	Coupling	R 1/4" UF – R 1/4" UF
20	601101	6	Seal ring	1/4"
21	615049	1	Hose cover	3/4" 600 mm
22	601060	4	Banjo bolt	R 1/4"
23	503075	4	Washer	M10 Nordlock Big / Stor
24	017470	1	Cover	
25	017582	1	Bracket	
26	500070	6	Screw	M6S M10x35 8.8 FZB
27	615055	2	Hose cover	1/4" 500 mm
28	500066	8	Screw	M6S M10x20 8.8 FZB
29	601102	6	Seal ring	3/8"
30	014511	2	Cylinder cover	



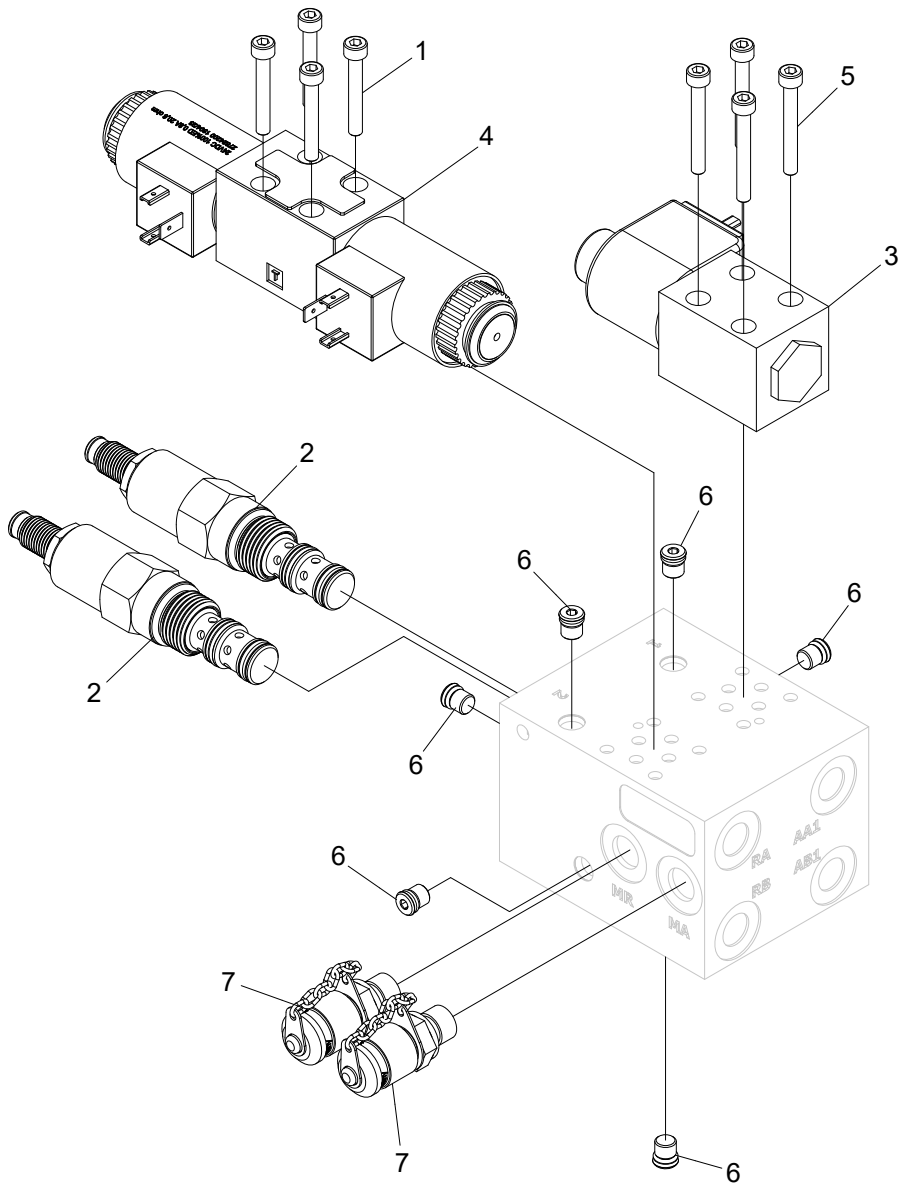
Structure				
Pos.	Part no.	Quantity	Description	Specification
31	500077	2	Screw	M6S M10x70 8.8 FZB
32	601032	3	Coupling	R 3/8" – R 3/8"
33	502055	2	Nut	M10 Locking
34	402098	1	Clamp	
35	513040	1	Plug	P6SS M6x6
36	615050	1	Hose cover	1" 1500 mm
37	601061	1	Banjo bolt	R 3/8"
38	601068	2	Banjo bolt	R 1/4"
39	601200	10	Cu-washer	13x19x1.5
40	500087	3	Screw	M6S M12x16 8.8 FZB
41	643132	1	Hose 3132	
42	643130	1	Hose 3130	
43	643025	1	Hose 3025	
44	643024	1	Hose 3024	
45	643026	1	Hose 3026	
46	643133	1	Hose 3133	
47	643029	1	Hose 3029	
48	643028	1	Hose 3028	
49	503007	1	Washer	10x18x2.0 BRB FZB
50	500065	1	Screw	M6S M10x16 8.8 FZB
51	602114	2	Seal ring	1/4"
52	017464	1	Manifold cmpl.	
53	602051	1	Coupling	R 3/8" – R 3/8" UF – IF
54	507001	2	Shim	36x45x1.0
55	507057	Erf.	Shim	26x40x0.5
	507057-1	Erf.	Shim	26x40x1.0
56	017067	1	Support plate	
57	503057	10	Washer	M10 Nordlock
58	602059	2	Coupling	R 1/2" – R 1/4" UF – IF
59	018125	1	Washer	Ø 30
60	602055	2	Coupling	R 1/4" – R 1/4" UF – IF



Log Max 5000D- Ackarar med rotatorstyrning- EI

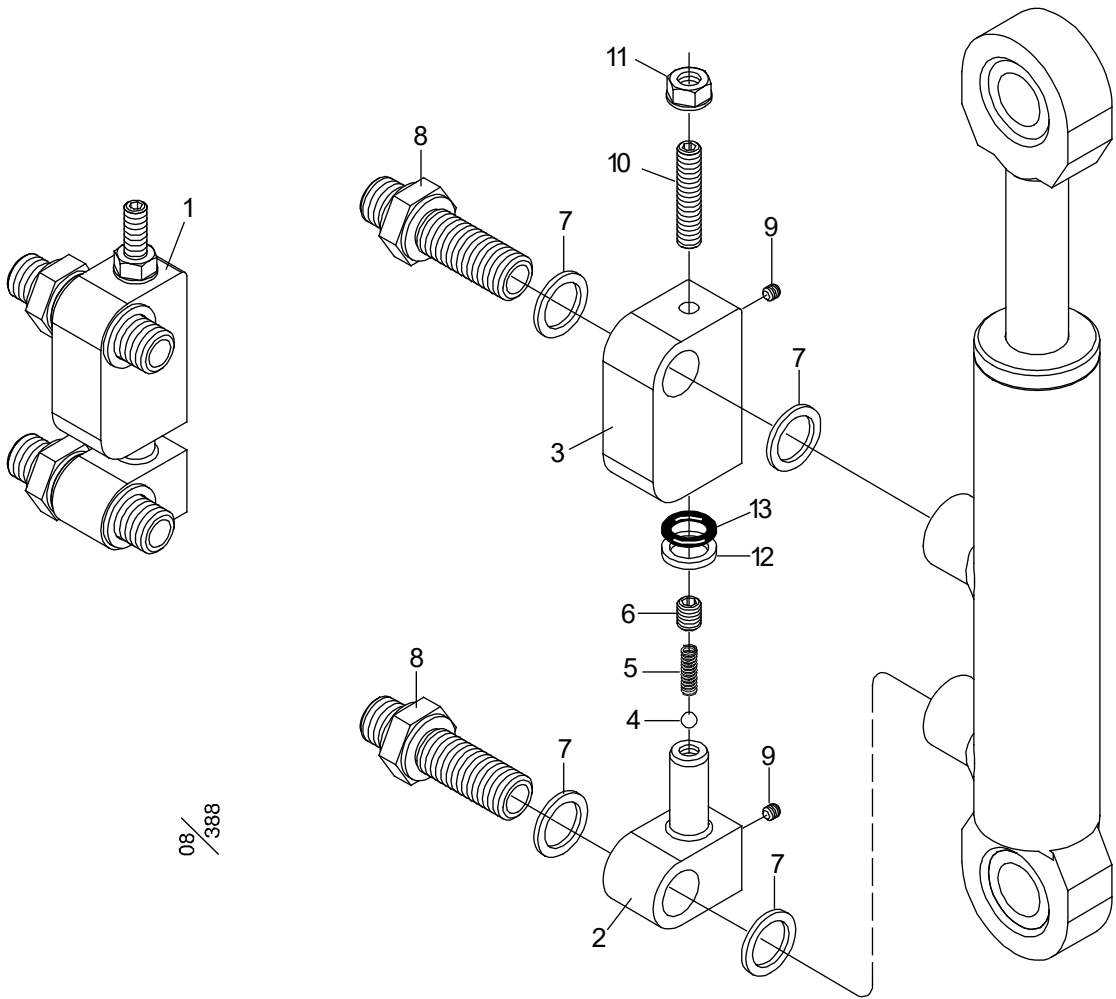
Electrical system

Structure 037103				
Pos.	Part no.	Quantity	Description	Specification
1	017464	1	Manifold	
2	670017	1	Cable	"25", "26", "32" Log Mate 500 Dasa Forester Dasa4/Cabswin VU
3	670016- 5000	1	Cable	"25", "26", "32" Log Mate 500 Dasa Forester Dasa4/Cabswin VU
4	401770	1	Cable sleeve	PG 9
5	014287	2	Bulk head	R 3/8"
6	016666	1	Cable bracket	
7	601249	2	Nut	R 3/8"
8	643021	1	Hose 3021	



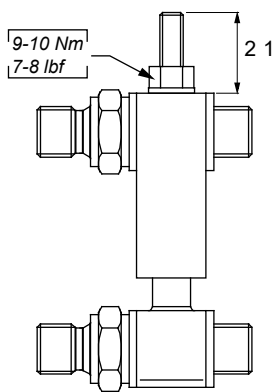
Manifold

Structure 017464				
Pos.	Part no.	Quantity	Description	Specification
1	501032	4	Screw	M5x35 12.9
2	619016	2	Pressure reducer	
3	10001139	1	Directional valve	24V NG4
4	612031	1	Directional valve	24V NG4
5	501033	4	Screw	M5x40 12.9
6	601020	6	Plug	UN15
7	601261	2	Test point	1/4"

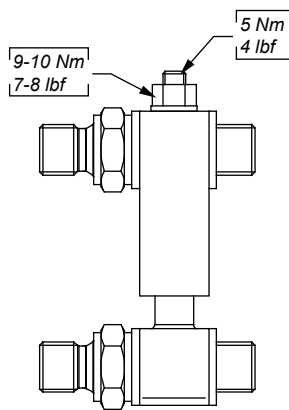


08/388

Vinter / Winter

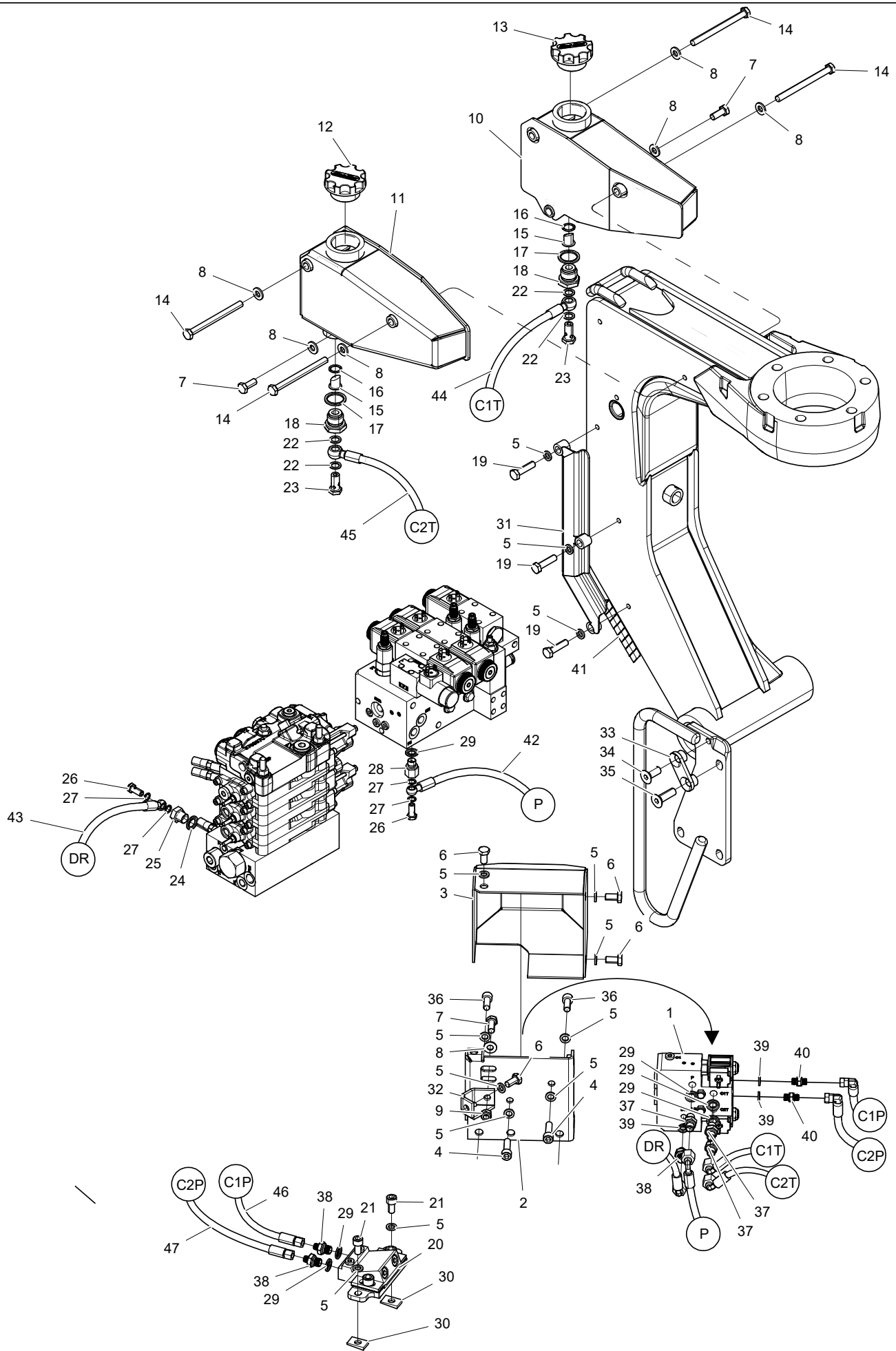


Sommar / Summer



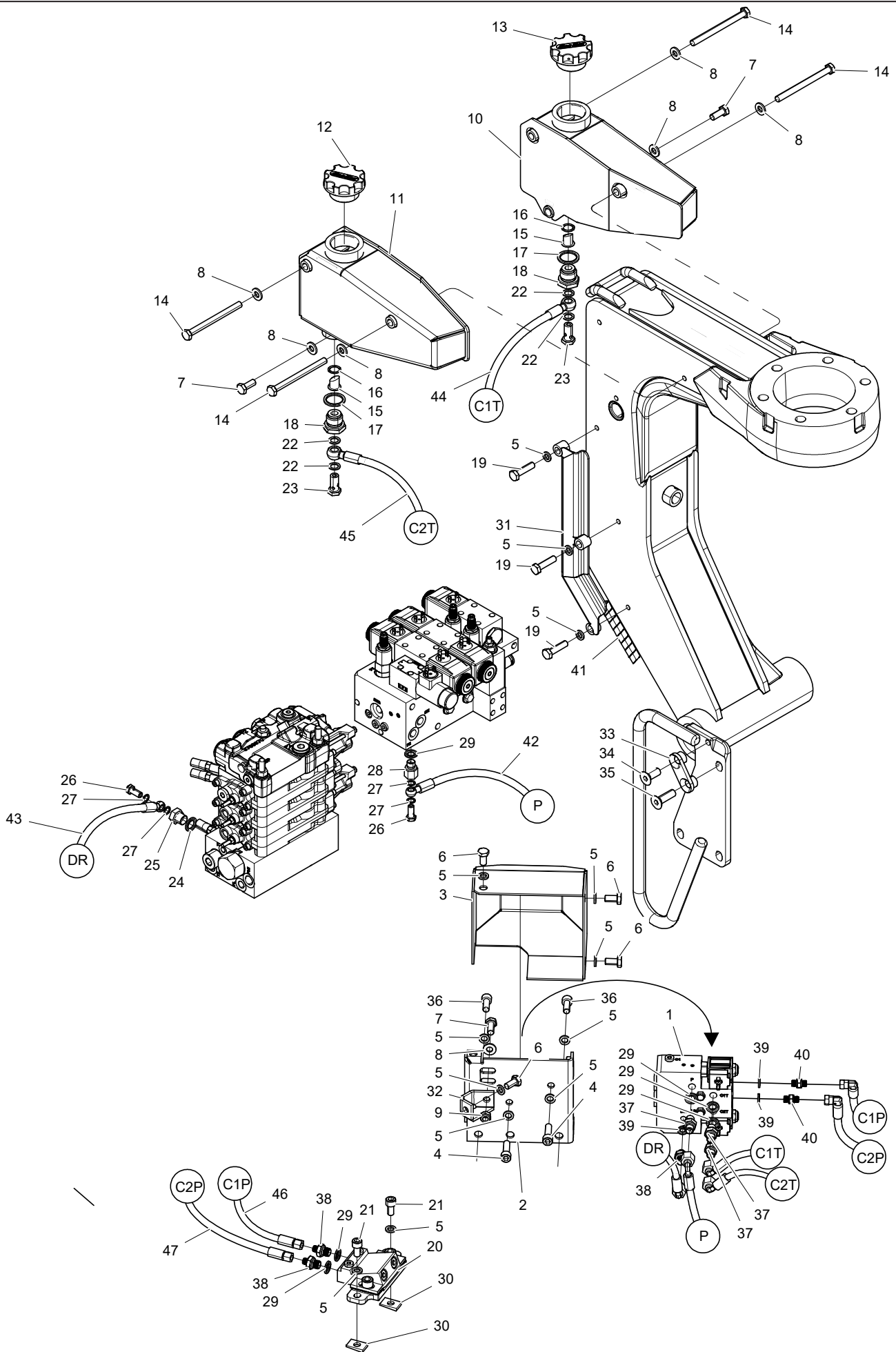
Bypass valve

Structure 035141				
Pos.	Part no.	Quantity	Description	Specification
1	031070	1	Bypass valve cmpl.	
2	017342	1	Nipple	
3	017343	1	Seal retainer	
4	511003	1	Steel ball	RB-4
5	526014	1	Spring	
6	013734	1	Restrictor	Ø 0.7 mm
7	601101	4	Seal ring	1/4"
8	013691	2	Bulkhead	R 1/4"
9	519059	2	Expander	Ø 0.3 mm
10	513046	1	Screw	P6SS M6x30
11	519062	1	Nut	M6
12	546005	1	Support ring	10-14
13	540066	1	O-ring	9.3x2.4

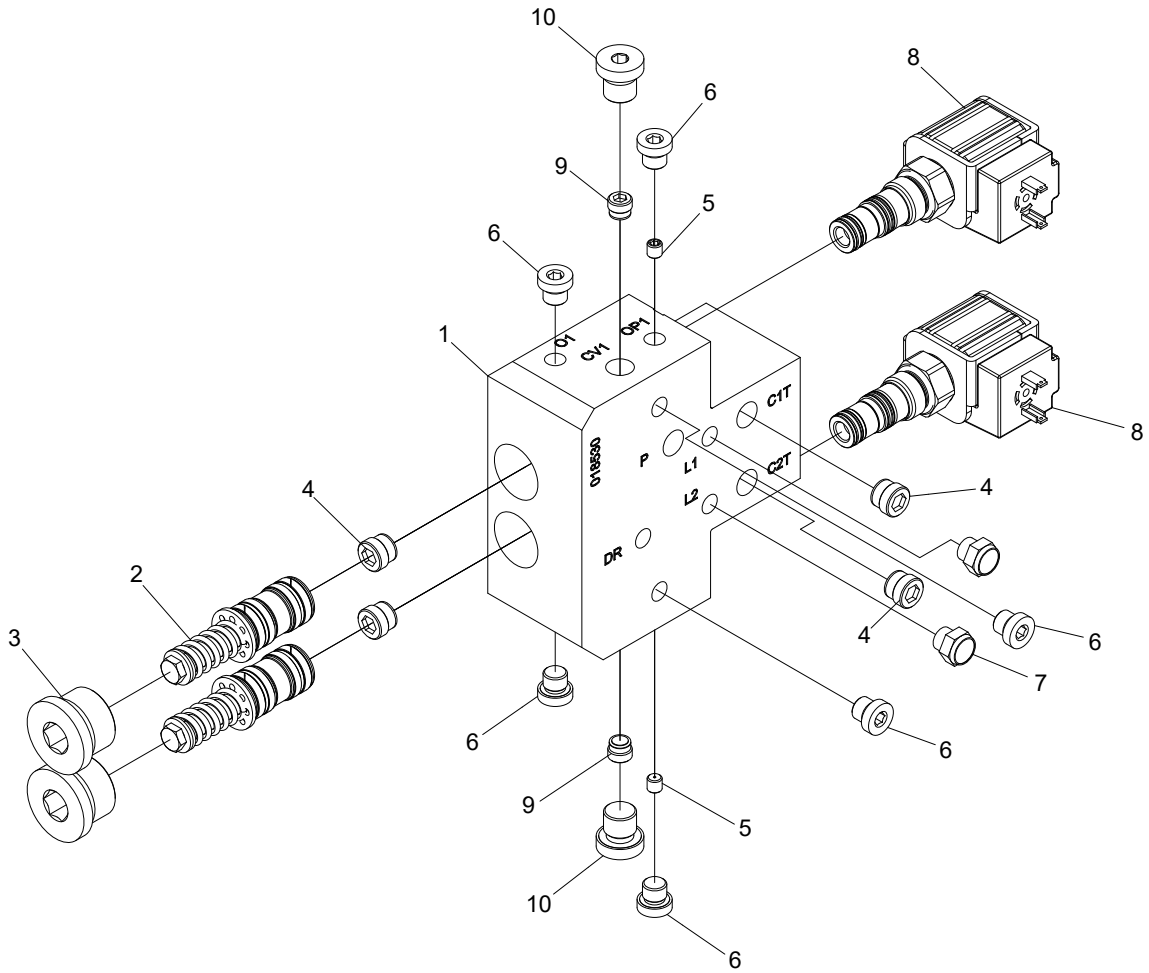


Color marking equipment

Structure 037034				
Pos.	Part no.	Quantity	Description	Specification
1	018531	1	Color pump	
2	018335	1	Chassi	
3	017734	1	Cover	
4	501091	2	Screw	MC6S M10x35 12.9
5	503057	13	Washer	M10 Nordlock
6	500066	4	Screw	M6S M10x20 8.8 FZB
7	500068	3	Screw	M6S M10x25 8.8 FZB
8	503075	7	Washer	M10 Nordlock SP
9	502055	1	Nut	LM6M M10
10	015748	1	Color tank	Left / Vänster
11	015749	1	Color tank	Right / Höger
12	017327	1	Filling cap cmpl.	Blue / Blå
13	017326	1	Filling cap cmpl.	Red / Röd
14	500083	4	Screw	M6S M10x120 8.8 FZB
15	620302	2	Filter	
16	543048	2	O-ring	16.3x2.4 Viton
17	601104	2	Seal ring	3/4"
18	015941	2	Coupling	G 3/4" UF – G 1/4" IF
19	500071	3	Screw	M6S M10x40 8.8 FZB
20	609074	1	Color marking manifold	
21	501087	2	Screw	MC6S M10x20 12.9
22	601200	4	Cu-washer	13x19x1.5
23	601704	2	Banjo bolt	G 1/4"
24	601102	1	Seal ring	G 3/8"
25	602074	1	Coupling	G 3/8" – G 1/8"
26	601701	2	Banjo bolt	G 1/8"
27	601203	4	Cu-washer	10x14x1.0
28	602086	1	Coupling	1/4" – 1/8" UF – IF
29	601101	6	Seal ring	G 1/4"
30	016295	2	Spacer	If required / Vid behov
31	014485	1	Cover	
32	012988	1	Elbow	
33	014482	1	Hose clamp	

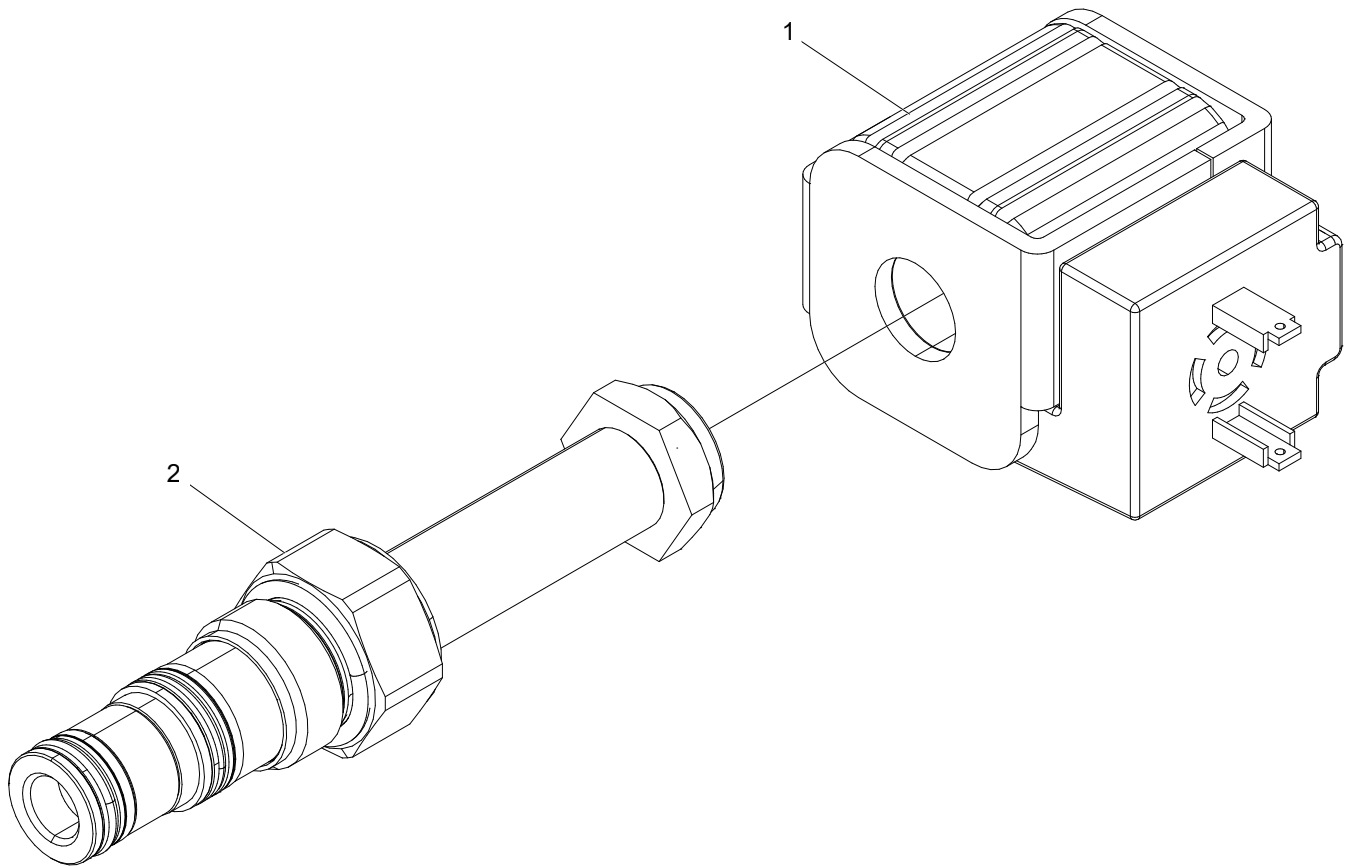


Structure				
Pos.	Part no.	Quantity	Description	Specification
34	504066	1	Screw	MF6S M12x30 10.9
35	504068	1	Screw	MF6S M12x40 10.9
36	501089	2	Screw	MC6S M12.40 10.9
37	601028	3	Coupling	R 1/4" UF – R 1/4" UF
38	601026	3	Coupling	R 1/8" UF – R 1/4" UF
39	601100	3	Seal ring	G 1/8"
40	601025	2	Coupling	R 1/8" UF – R 1/8" UF
41	615055	1	Hose cover	1.2 m
42	643141	1	Hose 3141	
43	643142	1	Hose 3142	
44	643143	1	Hose 3143	
45	643144	1	Hose 3144	
46	643145	1	Hose 3145	
47	643146	1	Hose 3146	



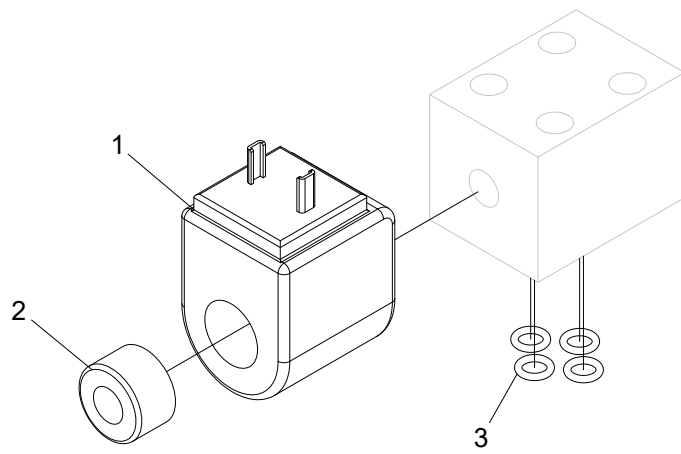
Color marking pump

Structure 018531				
Pos.	Part no.	Quantity	Description	Specification
1	018530	1	Manifold	
2	018331	2	Piston	
3	601004	2	Hex plug	3/4"
4	617024	4	Check valve	RB1
5	613014	2	Orifice	M6x1,0
6	601000	6	Hex plug	1/8"
7	602317	2	Filter plug	1/8"
8	612097	2	Valve	
9	617049	2	Check valve	RB0
10	601001	2	Hex plug	1/4"



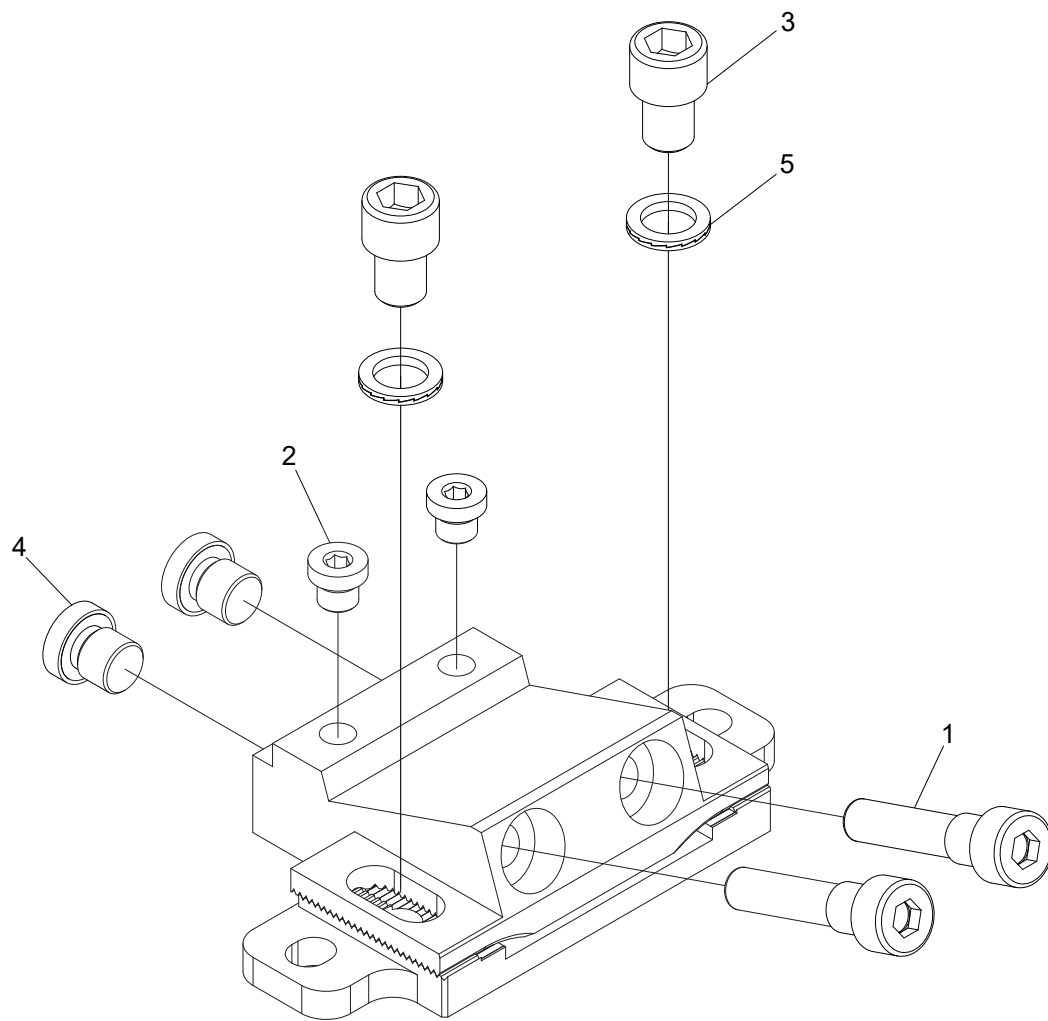
Valve

Structure 612097				
Pos.	Part no.	Quantity	Description	Specification
1	612094	1	Solenoid	
2	612106	1	Directional valve	



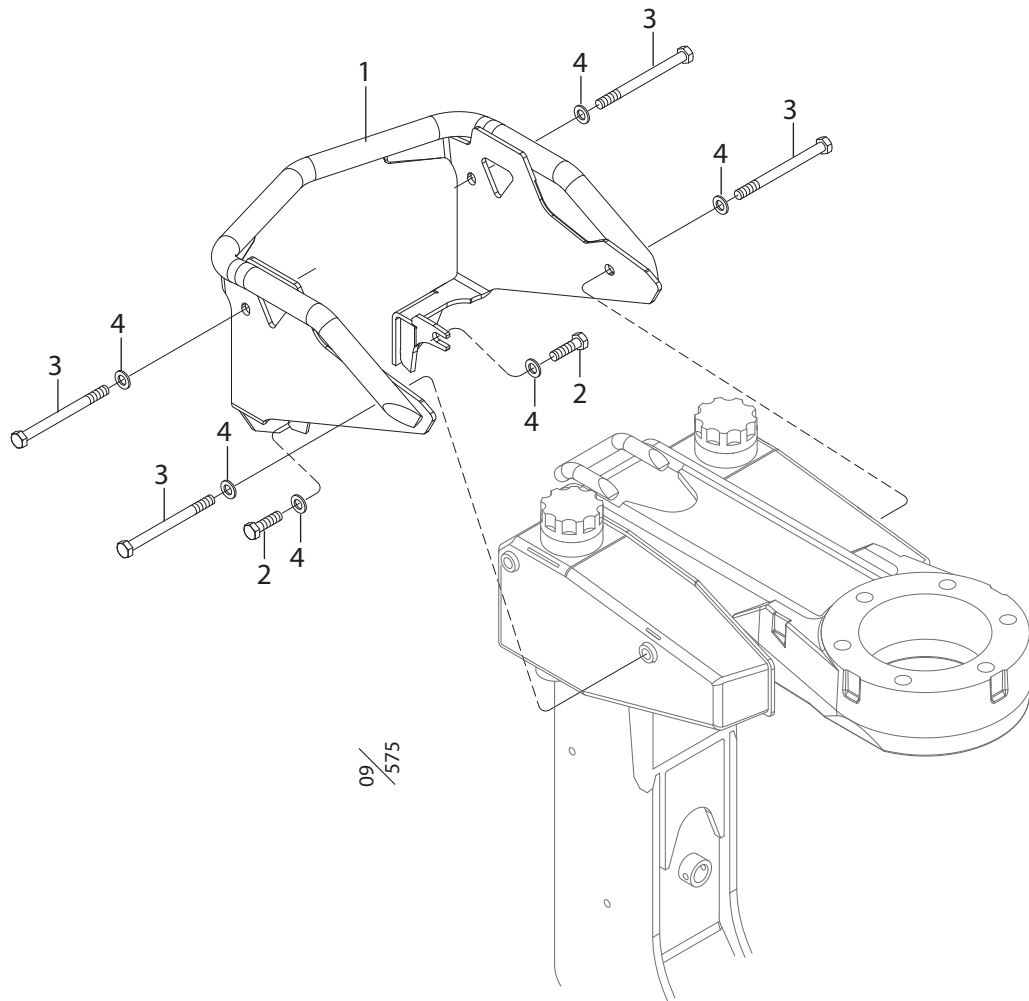
Directional valve

Structure 10001139				
Pos.	Part no.	Quantity	Description	Specification
1	10001310	1	Solenoid	
2	10001311	1	Nut	
3	543010	4	O-ring	6,07x1,78 NBR 90



Color marking manifold

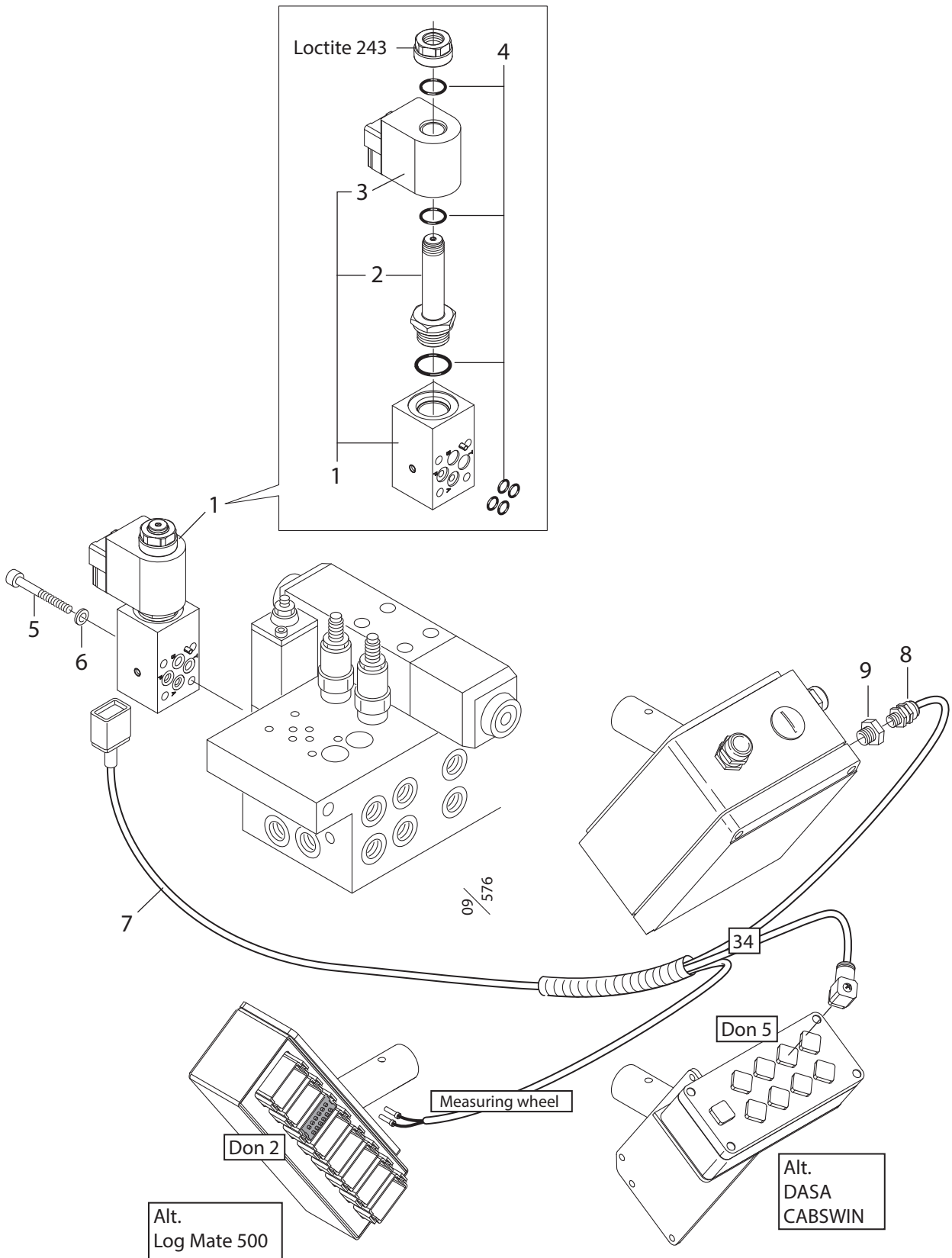
Structure 609074				
Pos.	Part no.	Quantity	Description	Specification
1	609076	2	Nozzle	
2	601000	2	Hex plug	1/8"
3	501130	2	Screw	M12x16 12.9
4	601001	2	Hex plug	1/4"
5	503060	2	Washer	NL12



Log Max 4000T/ 5000D

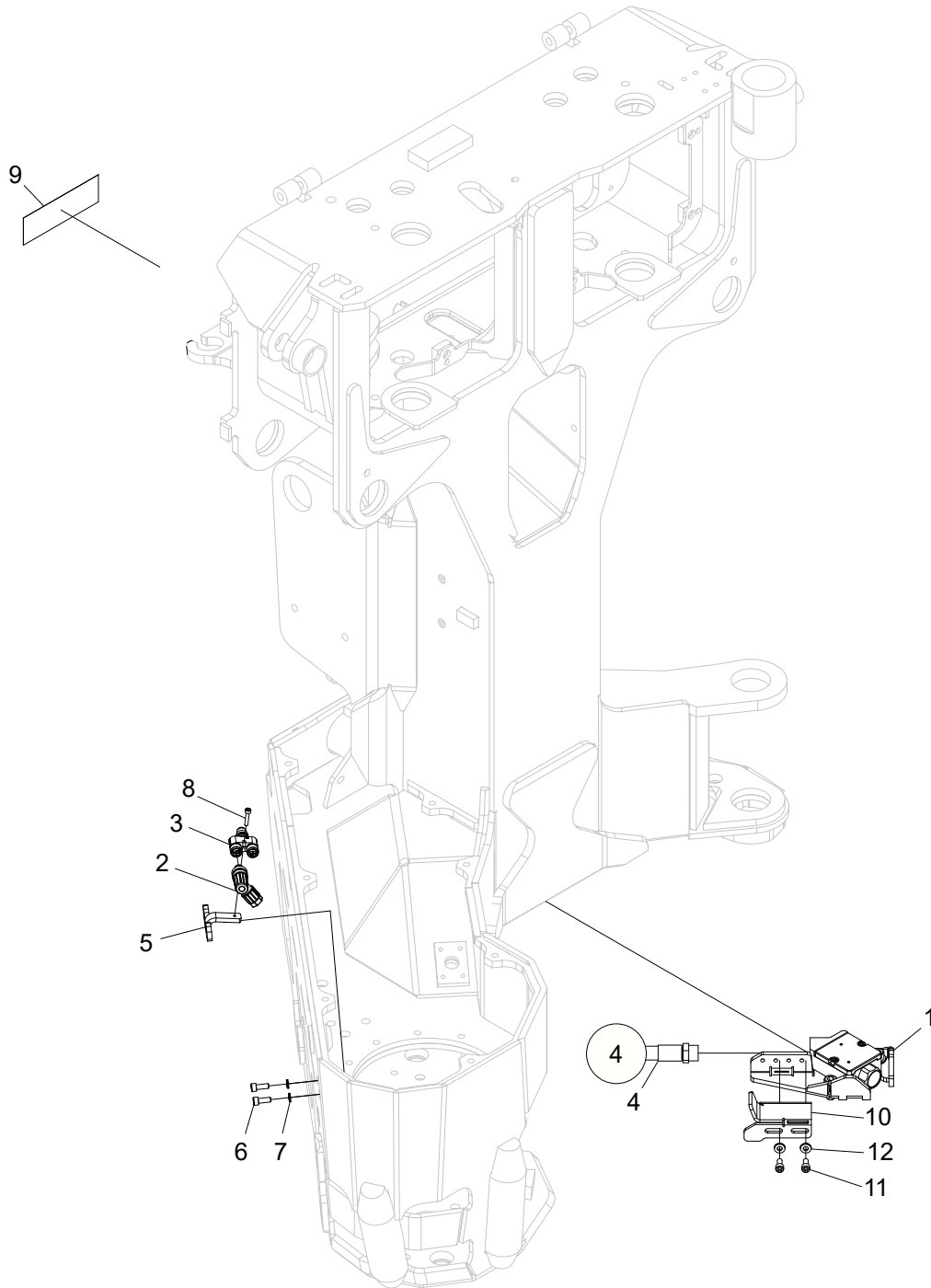
Protection bar colortanks

Structure 037038				
Pos.	Part no.	Quantity	Description	Specification
1	017740	1	Protection bar	
2	500069	2	Screw	M6S M10x30 8.8 FZB
3	500083	4	Screw	M6S M10x120 8.8
4	503075	6	Washer	M10 Nordlock Wide / Stor



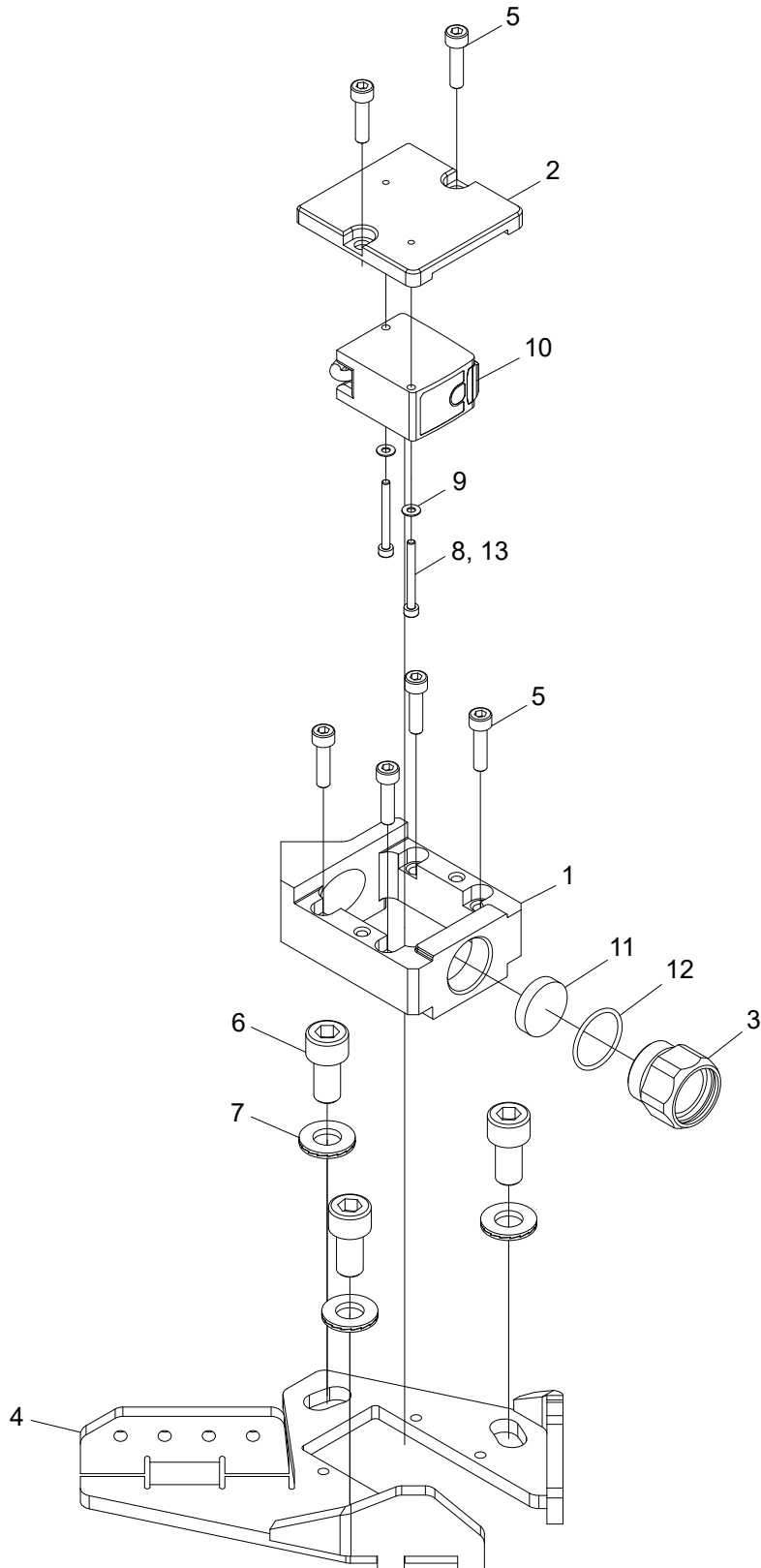
Electrical controlled measuring wheel

Structure 045052, 045053, 045054				
Pos.	Part no.	Quantity	Description	Specification
1	612090	1	Manifold cmpl.	
2	612091	1	Valve	
3	612092	1	Solenoid	24V
4	612095	1	Seal kit	
5	501038	4	Screw	MC6S M5x65 12.9
6	503066	4	Washer	M5 Nordlock
7	671311	1	Cable	"34" Log Mate 500
	671309	1	Cable	"34" Dasa4/Cabswin
	671312	1	Cable	"34" Dasa Forester
	671308	1	Cable	"34" VU
8	401770	1	Cable sleeve	PG 9
9	401769	1	Reductor	PG 16 – PG 9



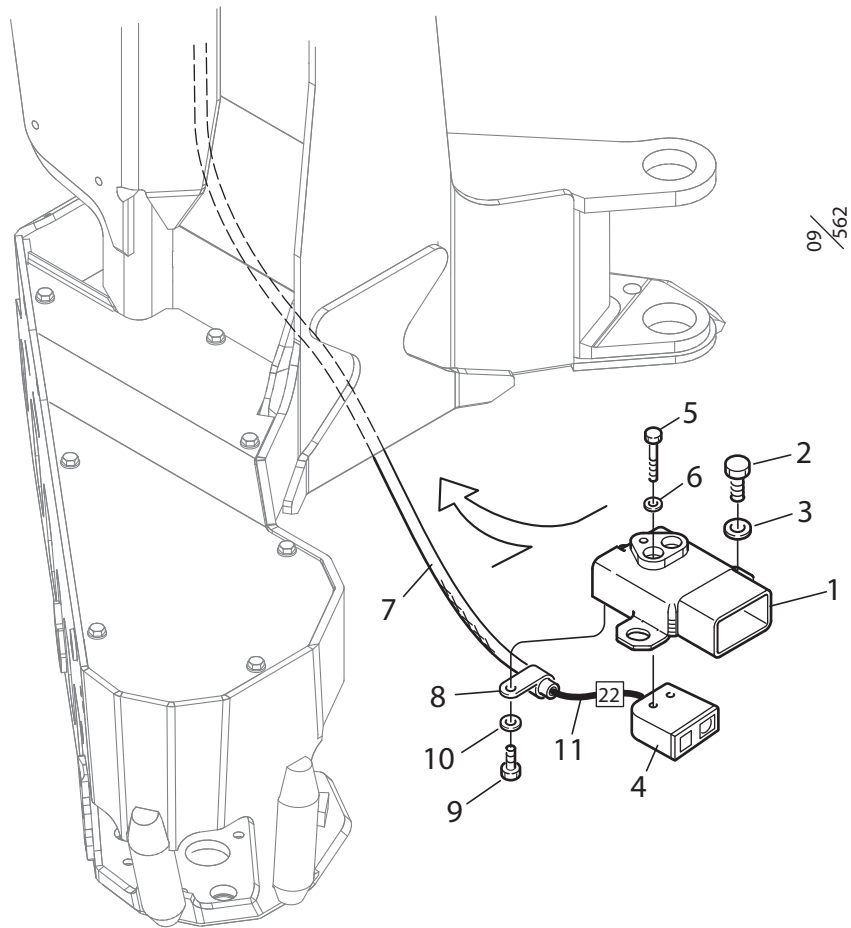
Find End laser

Structure 037039				
Pos.	Part no.	Quantity	Description	Specification
1	018676	1	Find End assembly	
2	402315	1	Cable housing	
3	402314	1	Connector	
4	643197	1	Hose	
5	017370	1	Bracket	
6	501045	2	Screw	M6x16 12.9
7	503065	2	Washer	NL6
8	501016	1	Screw	M4x20 12.9
9	519192	1	Decal	
10	10002003	1	Protection	
11	501044	2	Screw	M6x14 12.9
12	503073	2	Washer	NL6 sp



Find End assembly

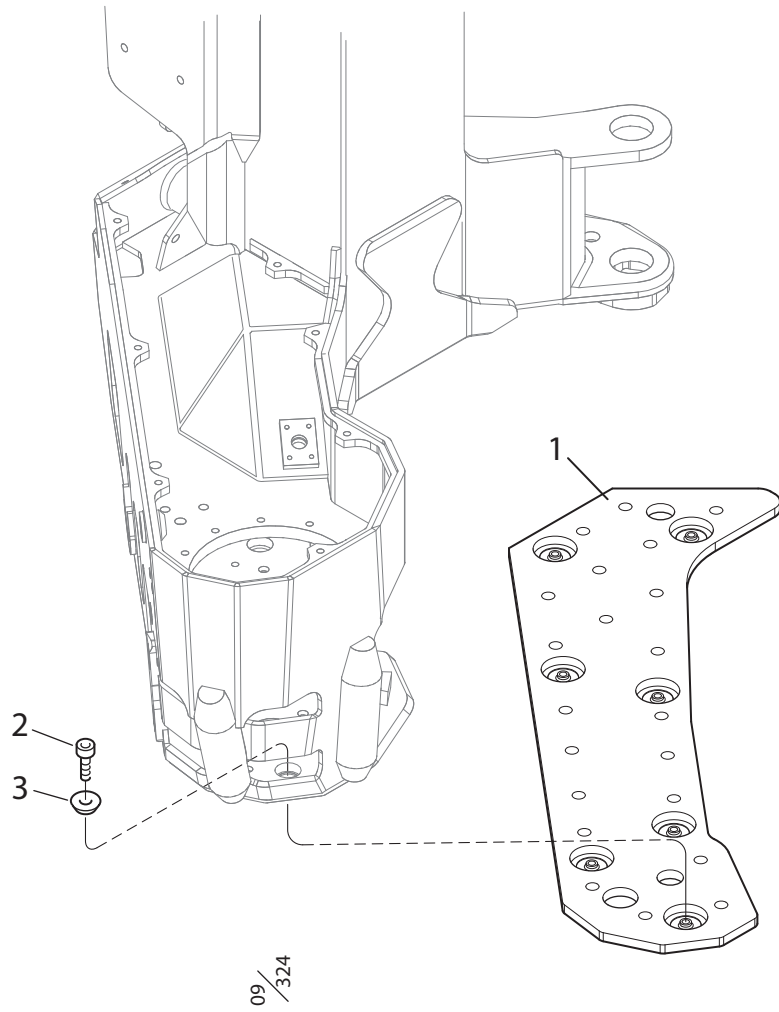
Structure 018676				
Pos.	Part no.	Quantity	Description	Specification
1	018670	1	Sensor housing	
2	018671	1	Cap	
3	10001881	1	Protection	
4	10002004	1	Bracket	
5	501029	6	Screw	M5x20 12.9
6	501087	3	Screw	M10x20 12.9
7	503075	3	Washer	NL10 sp
8	501004	2	Screw	M3x30 12.9
9	503001	2	Washer	3,2x7x0,5 FZB
10	401320	1	Sensor	
11	10001882	1	Lens	
12	10001957	1	O-ring	22,1x1,6 NBR 90
13	Loctite 243	0,100 ml	Threadlocker	243



Log Max 4000B/ 5000D/ 6000B/ 7000C/ E6/ 6000Twin - Find End

Find End photocell

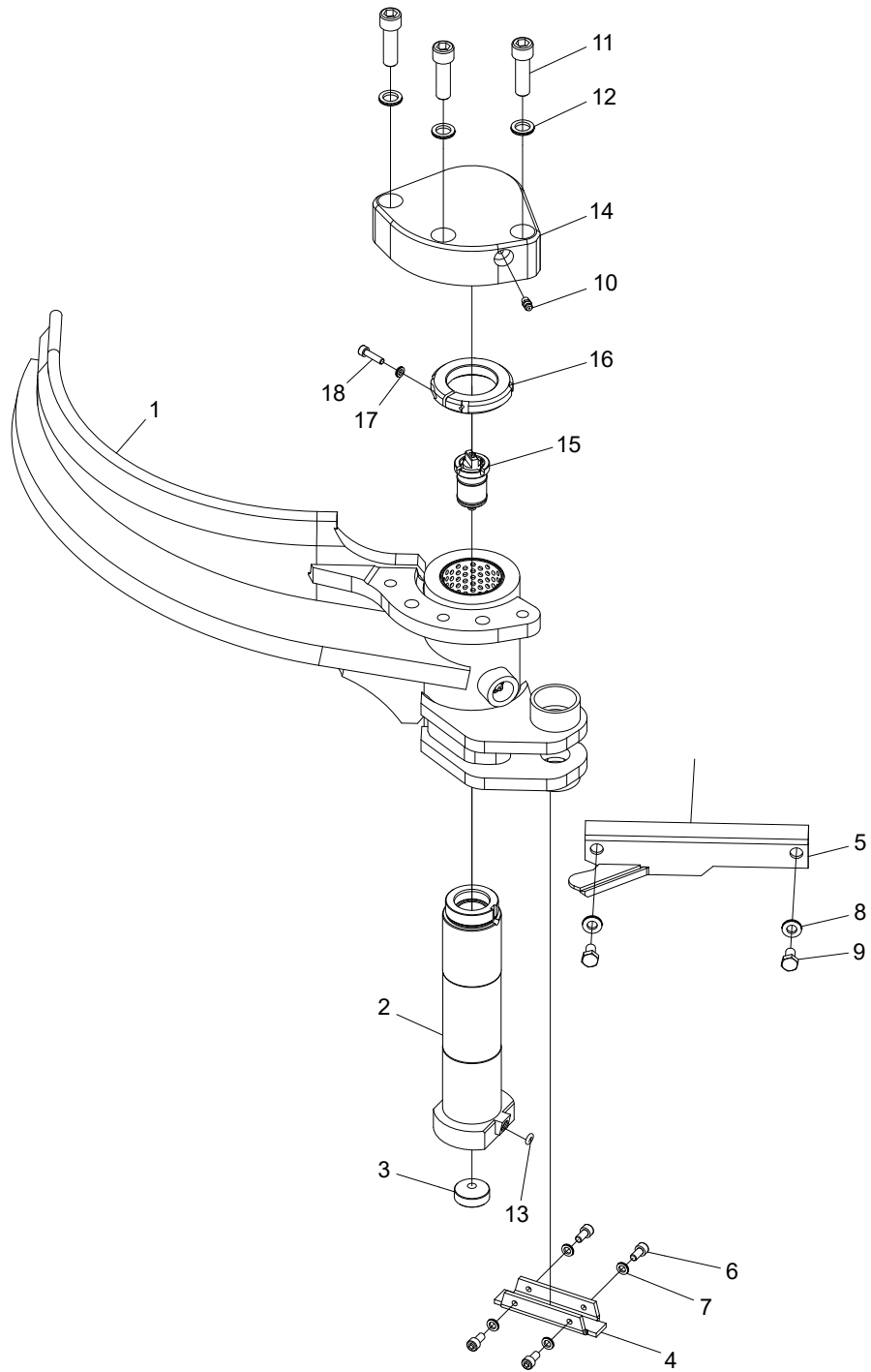
Structure 033583				
Pos.	Part no.	Quantity	Description	Specification
1	013927	1	Bracket	
2	500065	3	Screw	M6S M10x16 8.8 FZB
3	503075	3	Washer	M10 Nordlock Wide / Stor
4	401860	1	Photocell	
5	500005	2	Screw	M6S M4x20 8.8 FZB
6	503067	2	Washer	M4 Nordlock
7	615071	1	Hose	L=1.2 m
8	622060	1	Clamp	Ø 13 mm
9	500022	1	Screw	M6S M6x14 8.8 FZB
10	503065	1	Washer	M6 Nordlock
11		1	Cable	"22"



Log Max 5000D/ S92

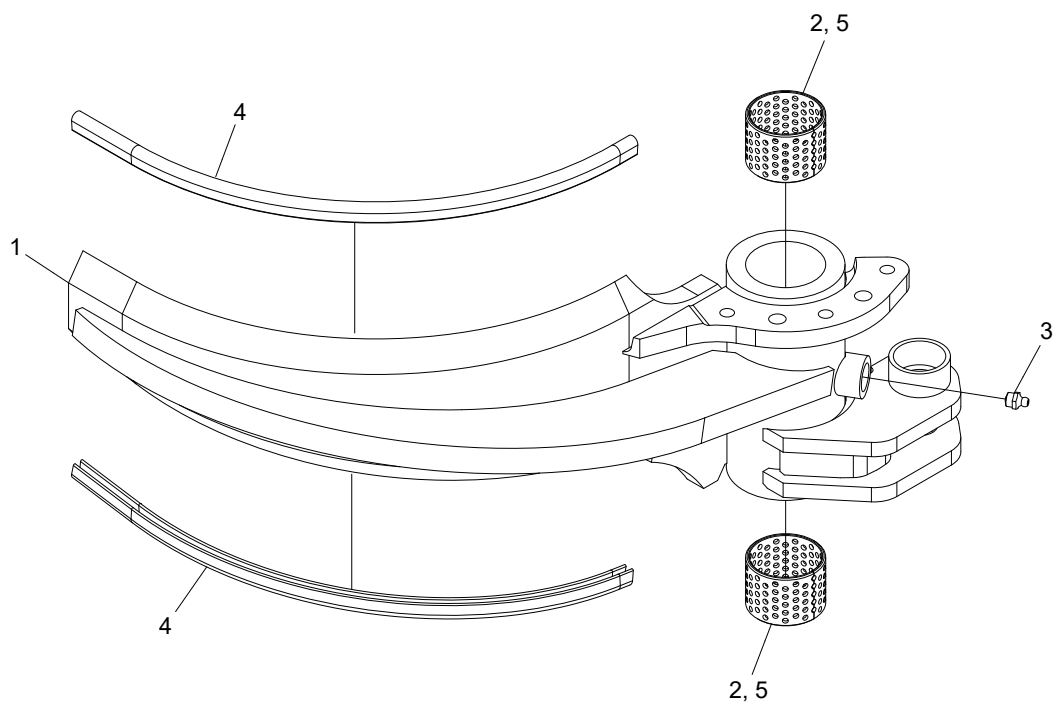
Fixed protective plate

Structure 033517				
Pos.	Part no.	Quantity	Description	Specification
1	016658	1	Protective plate	
2	501087	7	Screw	MC6S M10x20 12.9
3	018057	7	Washer	M10 Spherical / Sfärisk



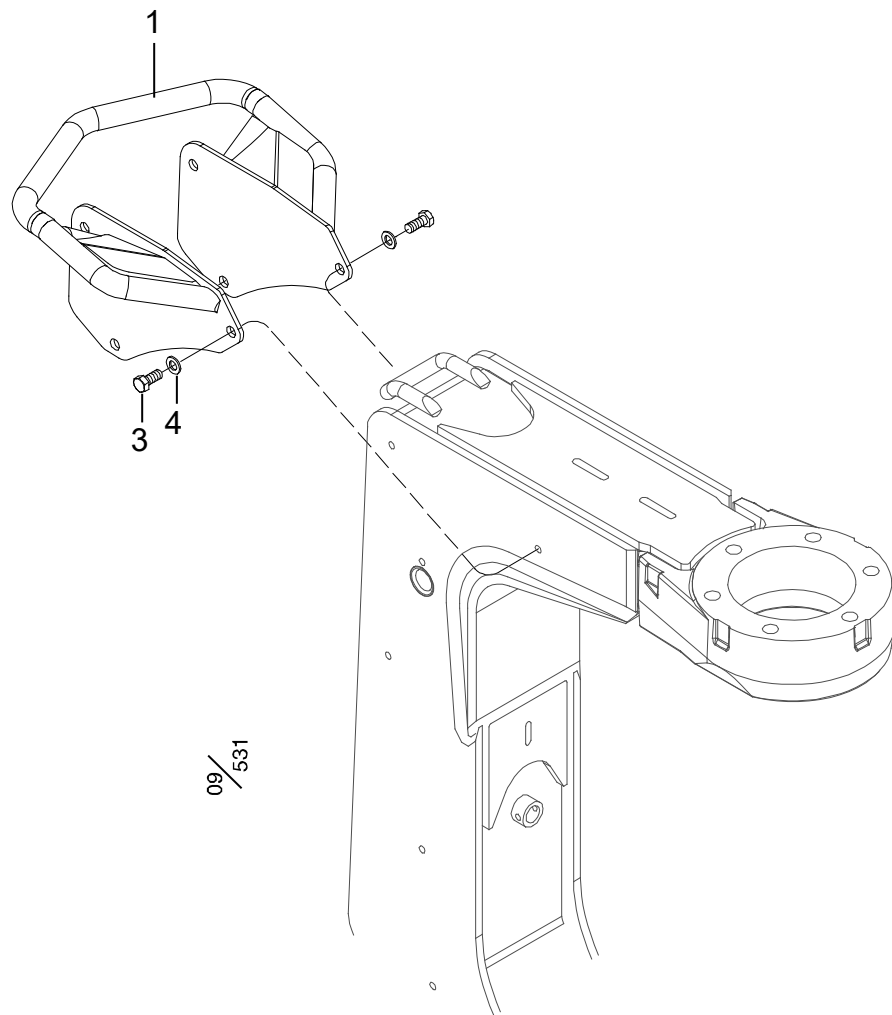
Fourpoint measuring

Structure 035242				
Pos.	Part no.	Quantity	Description	Specification
1	035137	1	Delimiting knife	
2	016898	1	Shaft	
3	016913	1	Plug	M30
4	016914	1	Protection	
5	016916	1	Protection	
6	501043	4	Screw	M6x12 12.9
7	503065	4	Washer	NL6
8	503074	2	Washer	NL8 sp
9	500041	2	Screw	M8x14 8.8 FZB
10	625004	1	Grease nipple	M6
11	501111	3	Screw	M12x40 12.9
12	503060	3	Washer	NL12
13	543020	1	Seal ring	
14	10000238	1	Arm	
15	10000397	1	Encoder	
16	10000299	1	Threaded ring	
17	503066	1	Washer	NL5
18	501029	1	Screw	M5x20 12.9



Delimiting knife

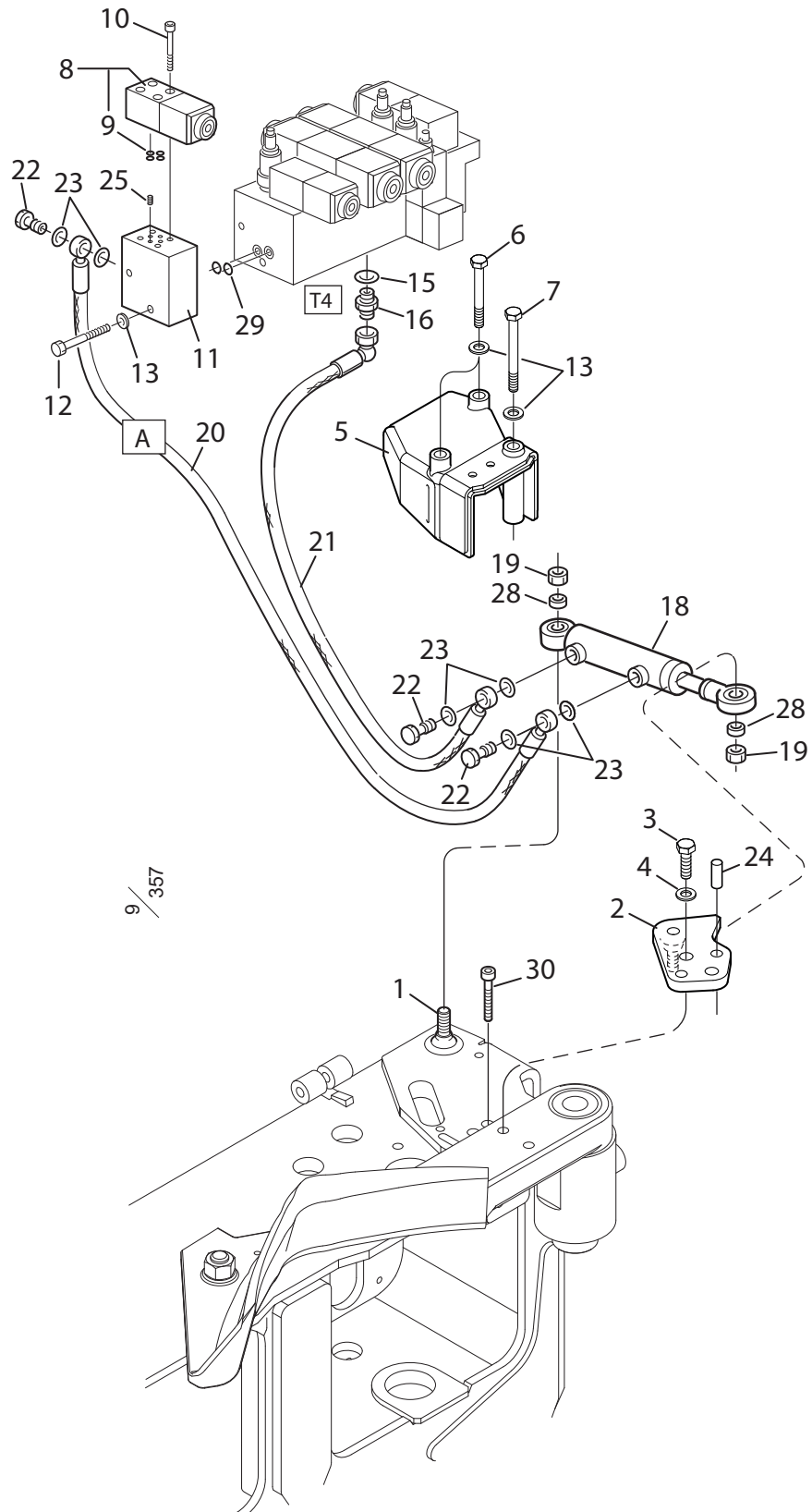
Structure 035137				
Pos.	Part no.	Quantity	Description	Specification
1	018675	1	Delimiting knife	
2	512024	2	Bushing	
3	625000	1	Grease nipple	1/8"
4	519010	2	Protection	
5			Glue	603



Log Max 6000B/ 7000C

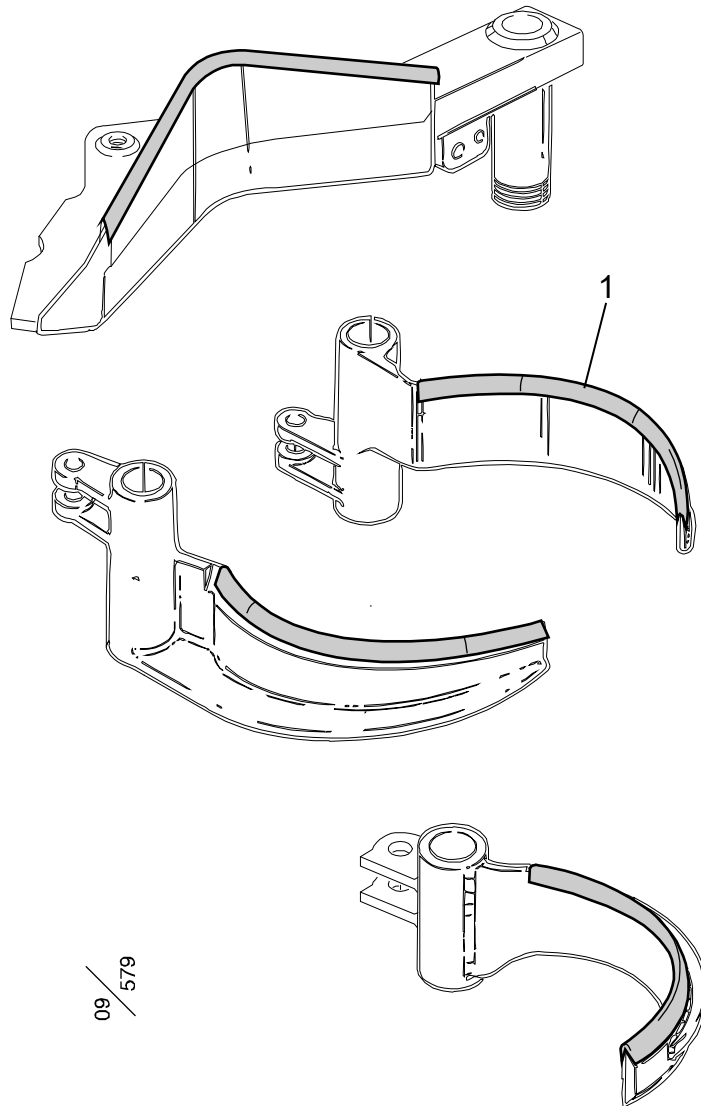
Hose protection

Structure 037037				
Pos.	Part no.	Quantity	Description	Specification
1	017753	1	Protection bar	
3	500066	6	Screw	M6S M10x20 8.8 FZB
4	503075	6	Washer	M10 Nordlock Wide / Stor



Hydraulic upper knife

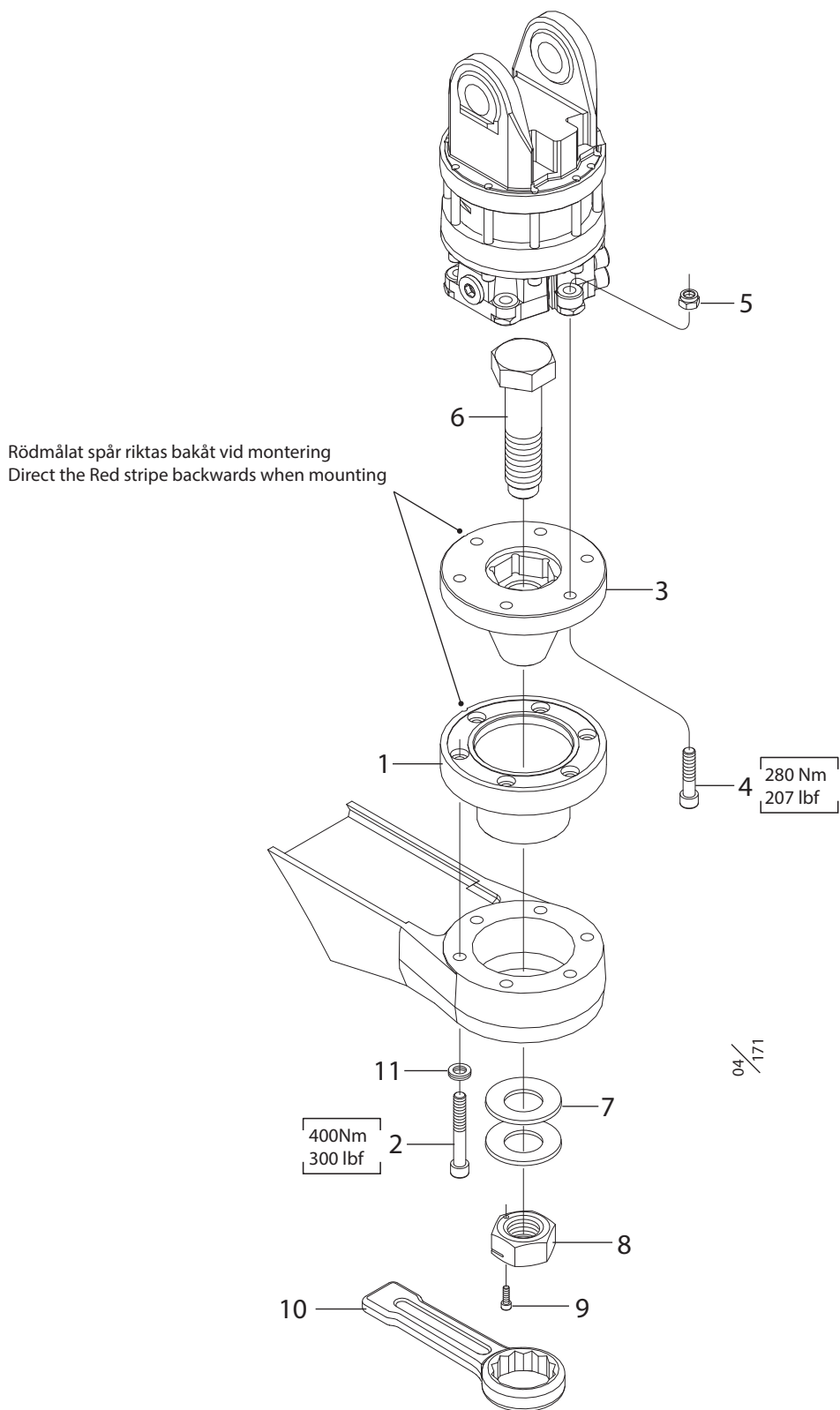
Structure 033538				
Pos.	Part no.	Quantity	Description	Specification
1	010846	1	Pin	L=48 mm
2	014394	1	Bracket	
3	500090	2	Screw	M6S M12x25 8.8 FZB
4	503060	2	Washer	M12 Nordlock
5	016231	1	Cylinder cover	
6	500079	1	Screw	M6S M10x80 8.8 FZB
7	500081	2	Screw	M6S M10x100 8.8 FZB
8	612057	1	Valve	24 V
9	540037	4	O-ring	7.65x1.68
10	501033	4	Screw	MC6S M5x40 12.9
11	013865	1	Manifold	
12	500074	2	Screw	M6S M10x55 8.8 FZB
13	503057	5	Washer	M10 Nordlock
15	601101	1	Seal ring	1/4"
16	602026	1	Coupling	R 1/2" UF – IF 90
18	011106	1	Hydraulic cylinder	Ø 25/16 – 30
19	502056	2	Nut	M12 Locking Low / Låg
20	643111	1	Hose 3111	
21	643112	1	Hose 3112	
22	601060	3	Banjo bolt	R 1/4"
23	601200	6	Cu-washer	13x19x1.5
24	515011	2	Cylinder pin	12x30
25	613031	1	Orifice	M5 – 1.0 mm
28	010170	2	Spacer	
29	619057	2	O-ring	12.42x1.78
30	501046	4	Screw	M6x20 12.9



Log Max Knivskydd

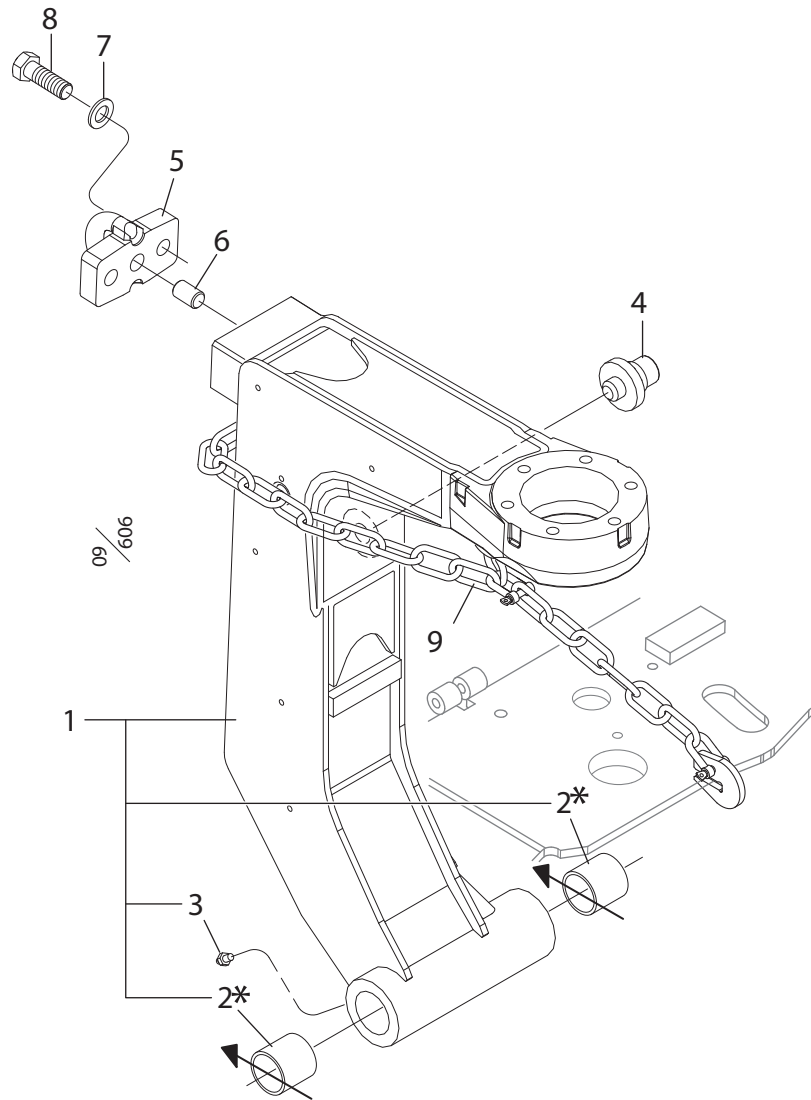
Knife edge protection

Structure				
Pos.	Part no.	Quantity	Description	Specification
1	519010	1	Cover	L= 5 m



Real Easy

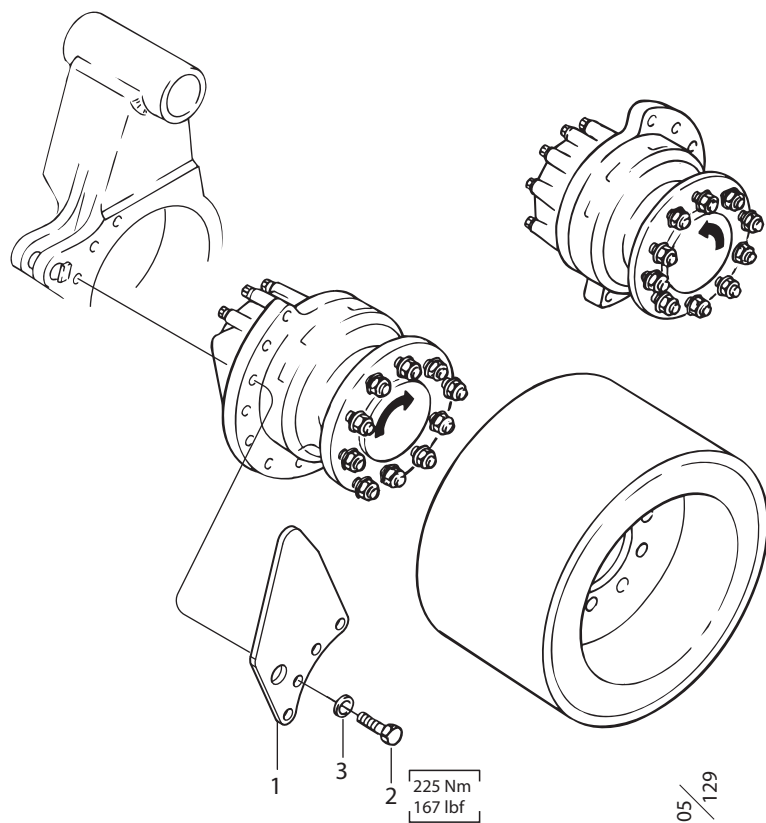
Structure 014995				
Pos.	Part no.	Quantity	Description	Specification
1	014832	1	Quick coupling	
2	501142	6	Screw	MC6S M16x110 12.9
	505062	6	Screw	MC6S M16x200 12.9 If acc-arms / Om ack-armor
3	014833	1	Quick coupling	
4	501138	6	Screw	MC6S M16x70 12.9 For / För AV12S
	501140	6	Screw	MC6S M16x90 12.9 For / För H152D
5	502705	6	Nut	M16 FZB Locking KL 10
6	014834	1	Screw	M48
7	503305	2	Washer	TF 51x100x6
8	014994	1	Nut	Locking
9	501070	1	Screw	MC6S M8x25 12.9
10	522210	1	Hammer wrench	75 mm
11	503063	6	Washer	M16 Nordlock



* Loctite 603

Reinforced felling link

Structure 035153				
Pos.	Part no.	Quantity	Description	Specification
1	035024	1	Felling link compl	
2	512024	2	Bushing	50x40
3	625000	1	Grease nipple	KR 1/8" R
4	012409	1	Cylinder pin	
5	016227	1	Chain holder	
6	515030	1	Pin	25x45
7	503072	2	Washer	M24 Nordlock
8	505058	2	Screw	M6S M24x70 H.G 10.9
9	523093	1	Security chain	

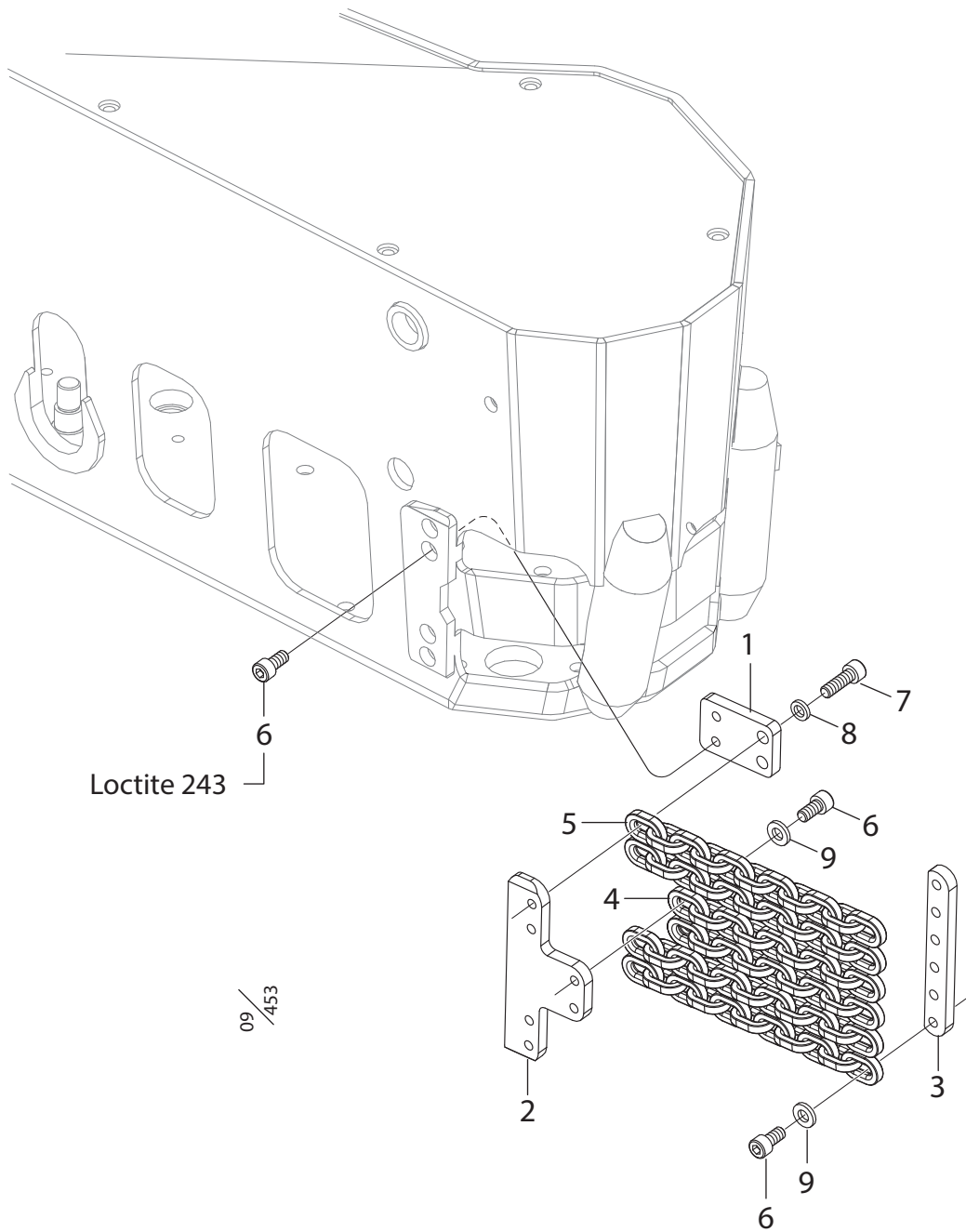


➔ Rotationsriktning / Direction of rotation

Log Max 5000-3

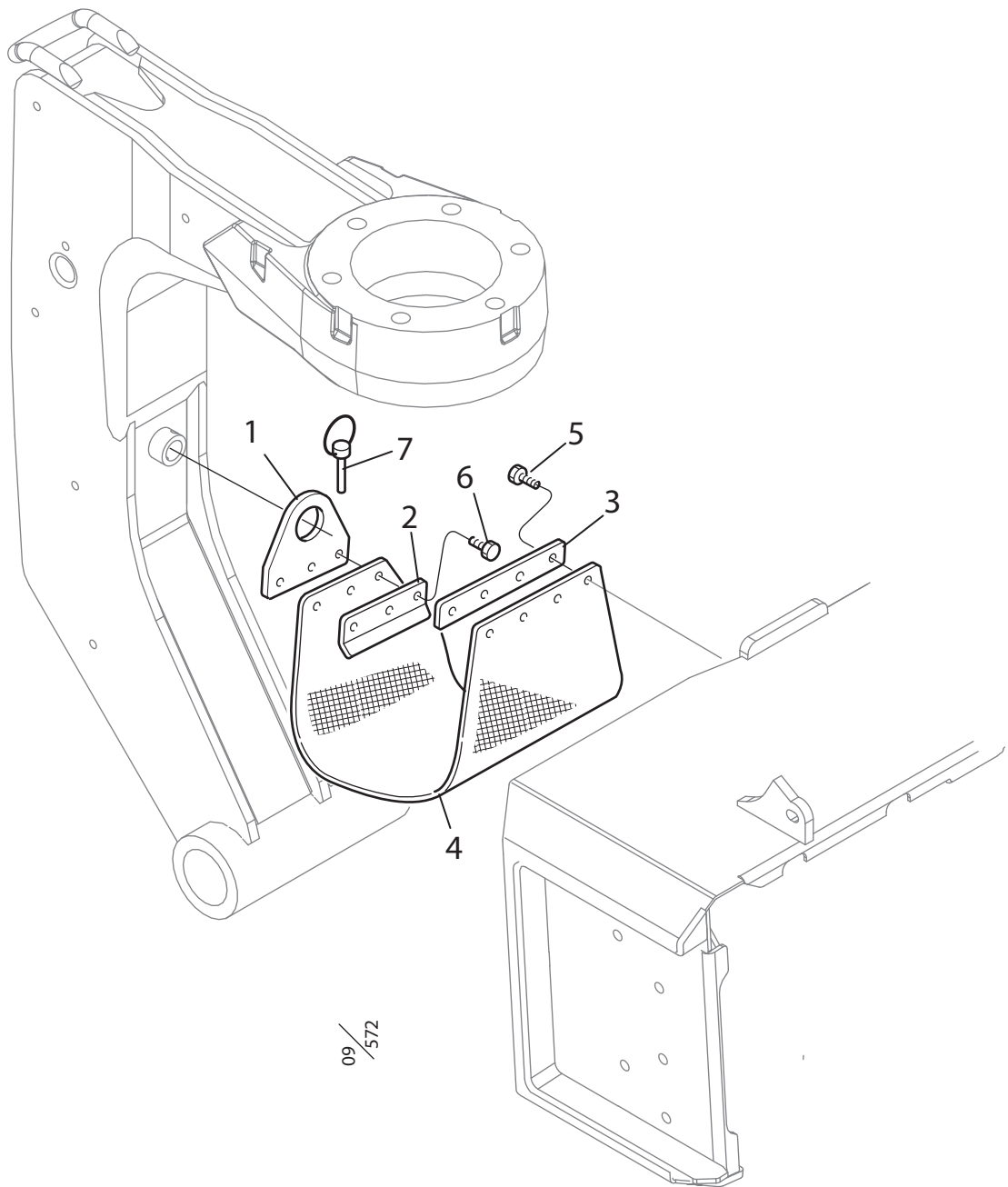
Rod cover

Structure 035152, 033576				
Pos.	Part no.	Quantity	Description	Specification
1	015398	2	Plate	
2	500133	8	Screw	M6S M16x50 8.8 FZB
3	503063	8	Washer	M16 Nordlock



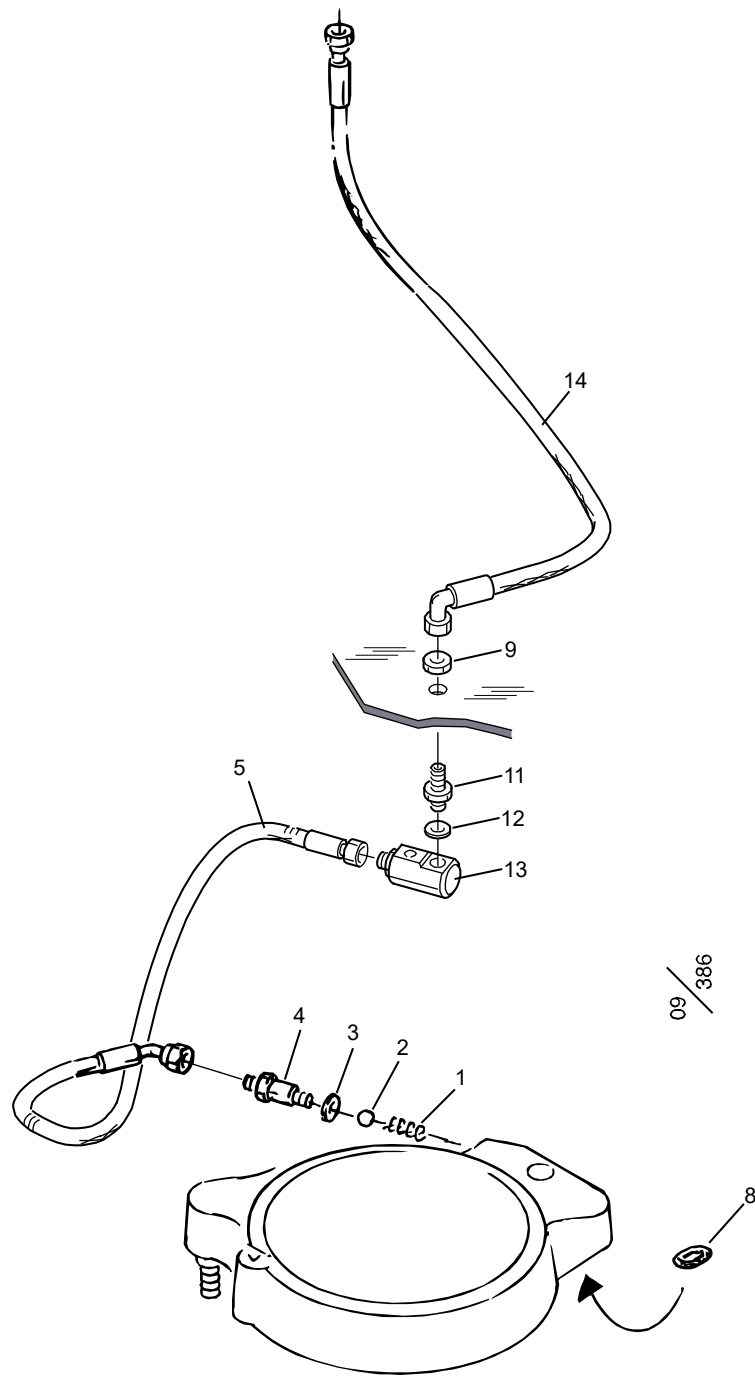
Saw dust cover

Structure 035152, 017384				
Pos.	Part no.	Quantity	Description	Specification
1	017382	2	Plate	Inner / Inre
2	017383	1	Rib	Inner / Inre
3	016776	1	Plate	Outer / Yttre
4	523003	2	Chain	9-links
5	523002	4	Chain	11-links
6	501067	12	Screw	MC6S M10x20 12.9
7	501070	4	Screw	MC6S M8x25 12.9
8	503055	4	Washer	M8 Nordlock
9	503074	8	Washer	M8 Nordlock Wide / Stor



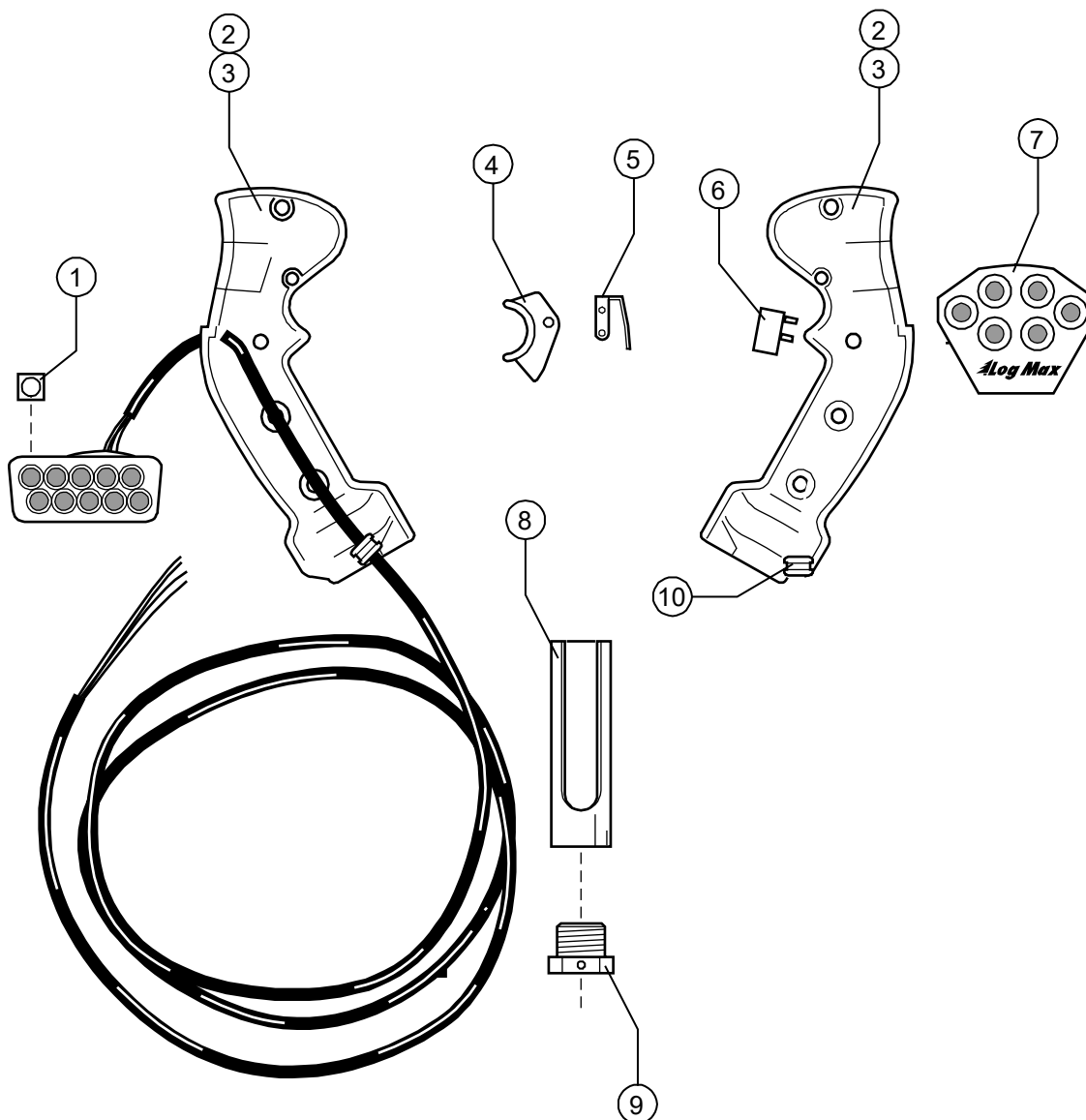
Snow cover

Structure 033531				
Pos.	Part no.	Quantity	Description	Specification
1	012806	1	Bracket	
2	012807	1	Bracket	
3	012808	1	Bracket	
4	014053	1	Rubber sheet	
5	500023	4	Screw	M6S M6x16 8.8 FZB
6	500021	3	Screw	M6S M6x12 8.8 FZB
7	521003	1	Ring pin	Ø 6x45 LST



Stump treatment kit, saw 98

Structure 033521				
Pos.	Part no.	Quantity	Description	Specification
1	526015	1	Spring	
2	511004	1	Ball	Ø 10 mm
3	546004	1	Seal ring	1/4"
4	012612	1	Coupling	
5	643124	1	Hose 3124	
8	540018	1	O-ring	Ø 25.1x1.6
9	601253	1	Nut	R 1/4"
11	601210	1	Bulkhead	R 1/4" UF
12	601101	1	Seal ring	1/4"
13	016727	1	Svivel	1/4"
14	643125	1	Hose 3125	

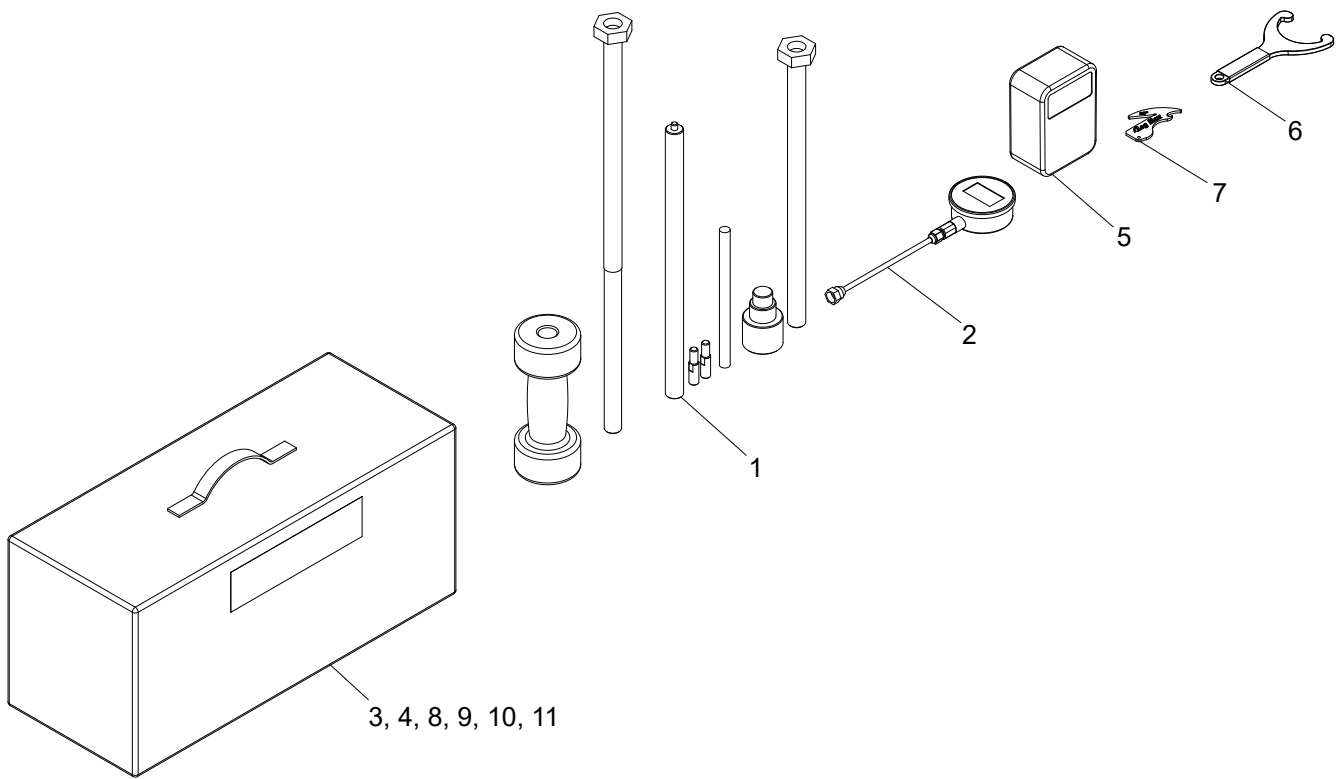


09/004

Log Max Suregrip

Sure Grip

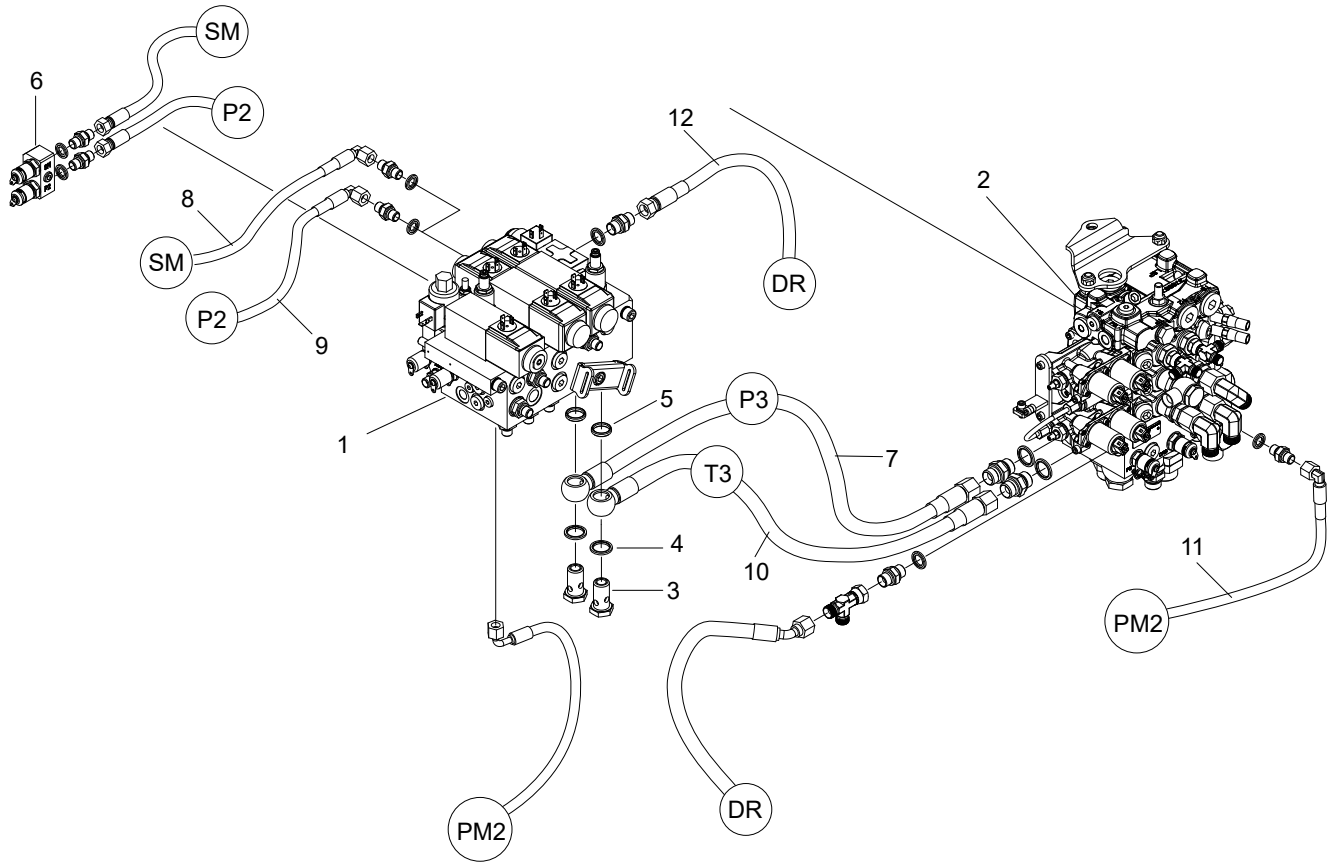
Structure				
Pos.	Part no.	Quantity	Description	Specification
1	402018	10	Key pad switch	
2	402020	1	Side key pad	Right / Höger
3	402021	1	Side key pad	Left / Vänster
4	402027	1	Trigger	
5	402025	2	Leaf spring kit	
6	402028	8	Switch face plate	
7	402024	1	Button, overlay	
8	402036	1	Mounting tube	
9	010103	1	Universal adaptor	
10	402035	2	Wire grommet	



Tool set

Structure 032302				
Pos.	Part no.	Quantity	Description	Specification
1	035030	1	Tool	
2	623053	1	Manometer	
3	522505	1	First aid kit	
4	522227	1	Allen key	
5	402804	1	Multimeter	
6	016537	1	Tool	
7	015662	1	Edge template	
8	522718	1	Tool	
9	519190	2	Decal	
10	033801	1	User manual	
11	522506-LXL	1	Safety vest	

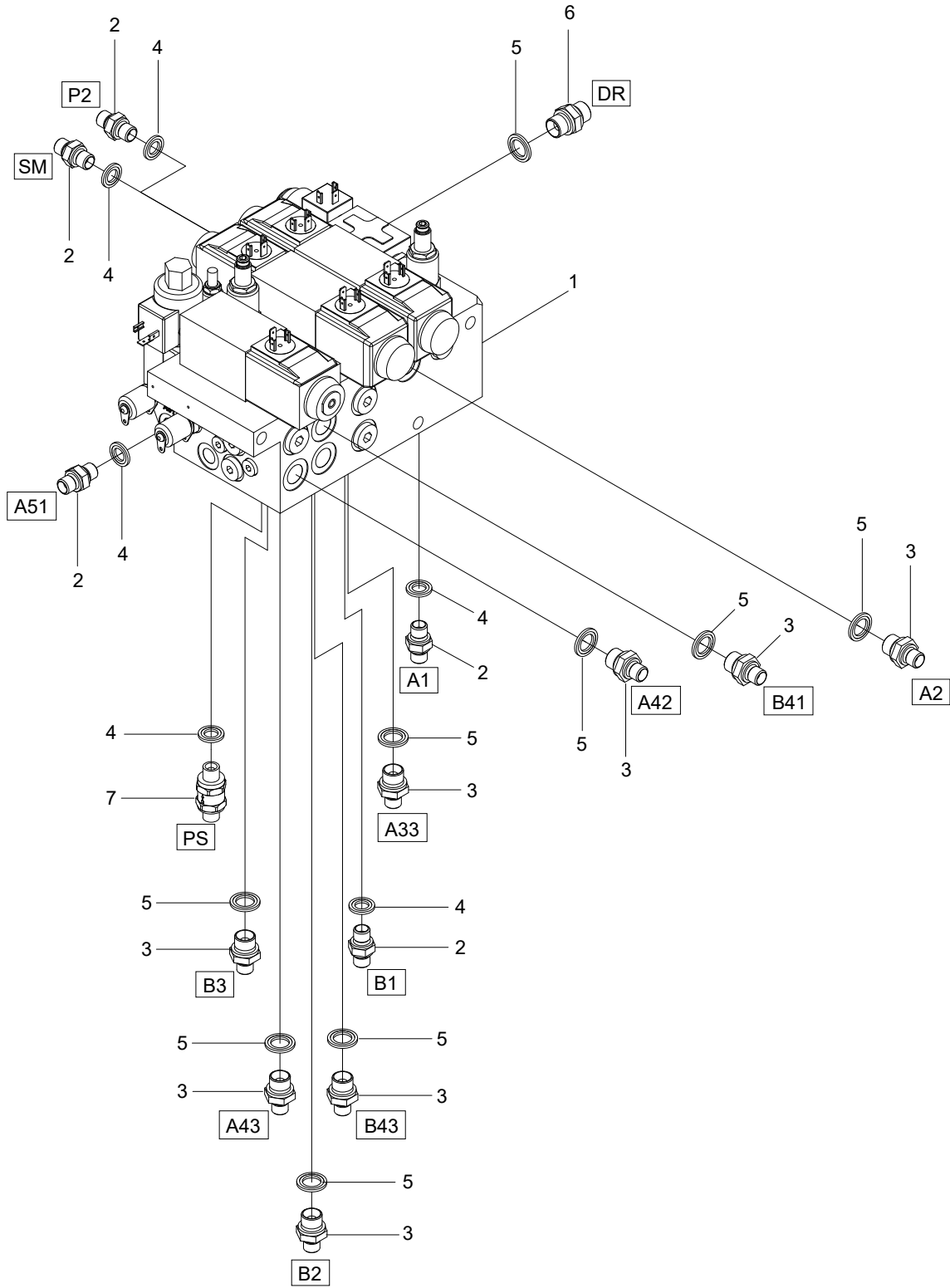
9. Hydraulic system



07/116

Interconnection of main manifolds

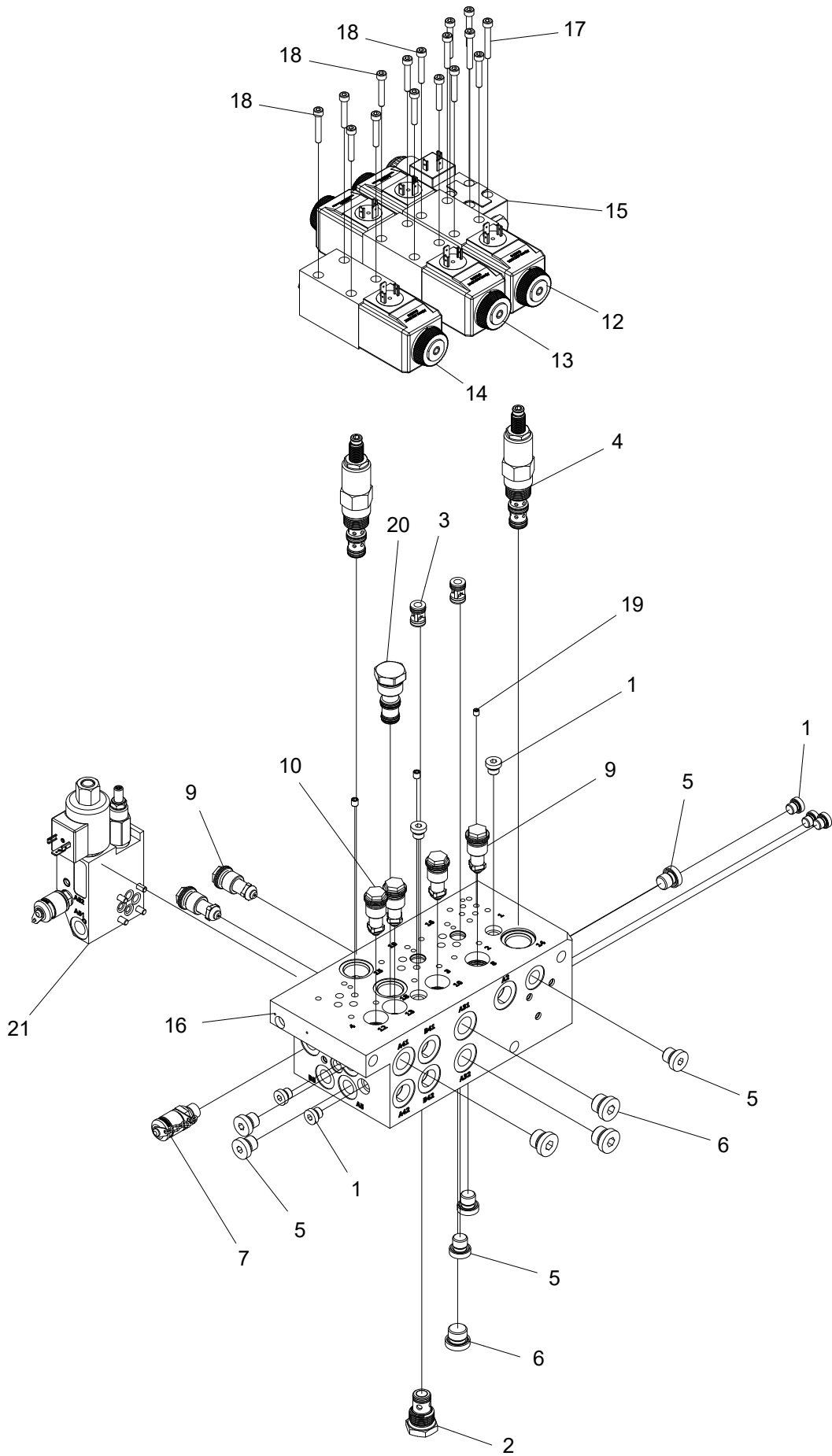
Structure 005521D-2, 005522D-2				
Pos.	Part no.	Quantity	Description	Specification
1	005524-2	1	Manifold	Left / Vänster
2	005545-2	1	Manifold	Right / Höger
3	601062	2	Banjo screw	R 1/2"
4	601103	2	Bonded seal	1/2"
5	602113	2	Seal ring	1/2"
6	031068	1	Manifold test point	
7	643039	1	Hydraulic hose	
8	643064	1	Hydraulic hose	
9	643065	1	Hydraulic hose	
10	643084	1	Hydraulic hose	
11	643153	1	Hydraulic hose	
12	643157	1	Hydraulic hose	



07/086

Left manifold PRE

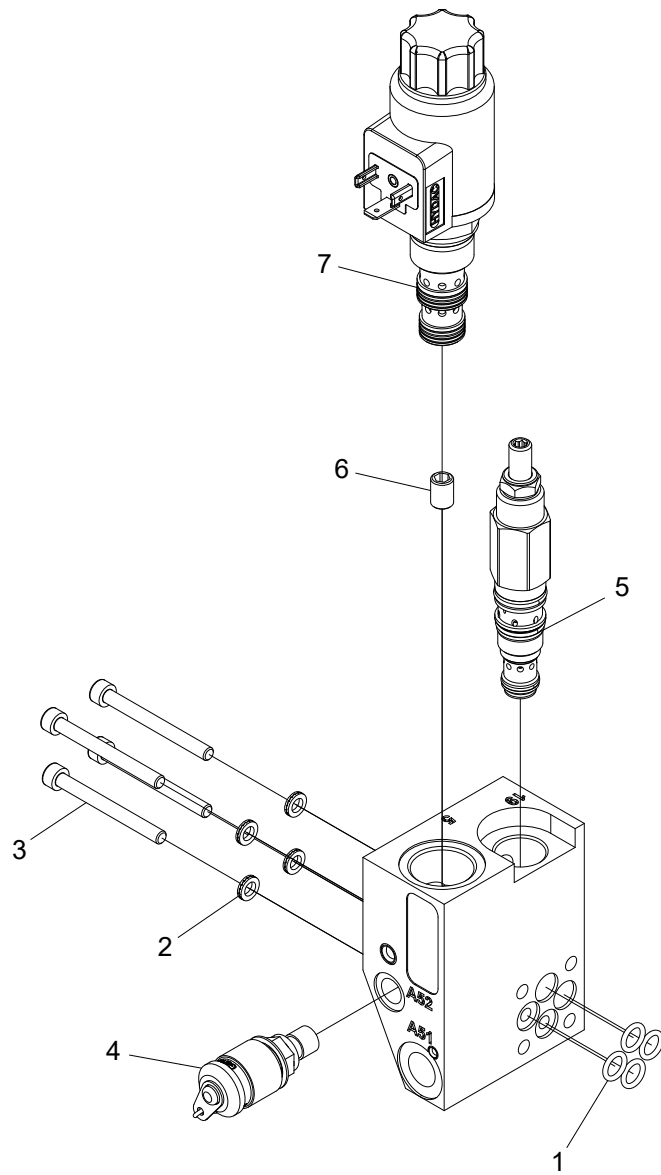
Structure 005524-2				
Pos.	Part no.	Quantity	Description	Specification
1	018843	1	Manifold	
2	601028	5	Adapter	R 1/4" UF – R 1/4" UF
3	601029	8	Adapter	R 1/4" UF – R 3/8" UF
4	601101	6	Bonded seal	1/4"
5	601102	9	Bonded seal	3/8"
6	601032	1	Adapter	BSP – 06
7	617009	1	Check valve	



07/097

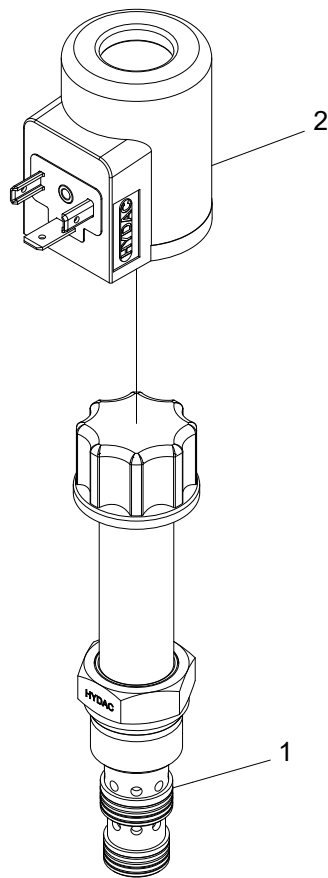
Left manifold

Structure 018843				
Pos.	Part no.	Quantity	Description	Specification
1	601000	7	Hex plug	1/8" R
2	617044	1	Check valve	0.34 bar
3	617013	2	Check valve	
4	619016	2	Pressure reducer valve	
5	601001	6	Hex plug	1/4" R
6	601002	4	Hex plug	3/8" R
7	601261	1	Test point	1/4"
8	613017	2	Orifice	M6 Ø2.5 mm
9	617032	2	Pressure reducer valve	210 bar
10	617033	4	Pressure reducer valve	190 bar
11	613018	2	Orifice	M6 Ø2.0 mm
12	010278	1	Directional valve	24V
13	010280	1	Directional valve	24V
14	011626	1	Directional valve	24V
15	612057	1	Directional valve	24V NG4
16	612033	1	Manifold	
17	501032	4	Screw	MC6S M5x35 12.9
18	501031	12	Screw	MC6S M5x30 12.9
19	613033	1	Orifice	M5 Ø 2.0 mm
20	612104	1	Plug	
21	018533	1	Manifold	



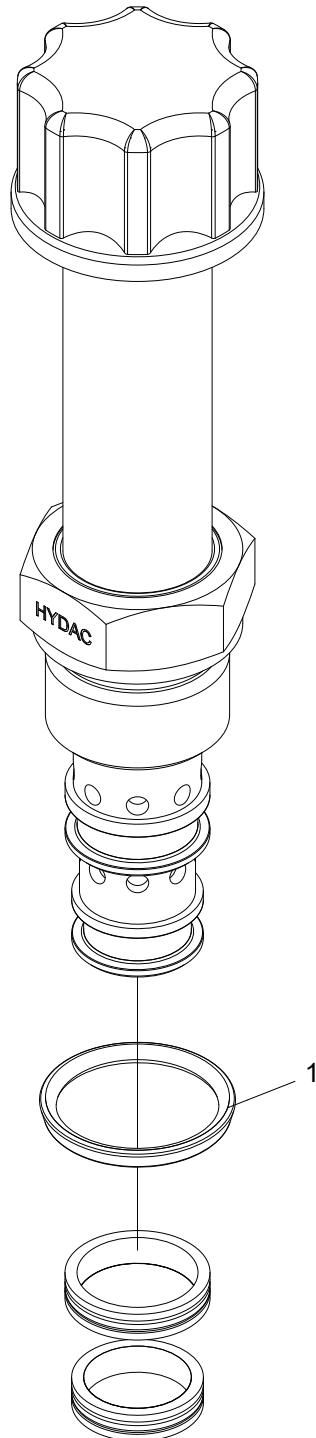
Manifold

Structure 018533				
Pos.	Part no.	Quantity	Description	Specification
1	540036	4	O-ring	7,66x1,78 mm 70 Shore, NBR
2	503066	4	Washer	NL5
3	501035	4	Screw	M5x50 12.9
4	601260	1	Test point	1/8"
5	612073	1	Pressure reducing valve	
6	613023	1	Orifice	M8x0,8
7	10001992	1	Directional valve	



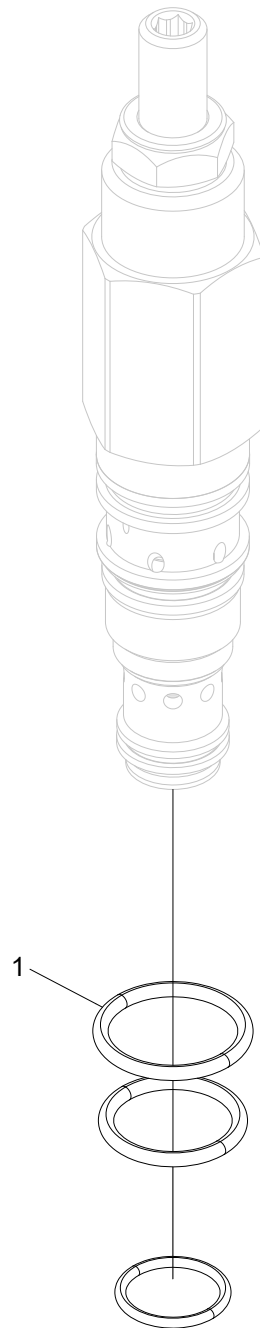
Directional valve

Structure 10001992				
Pos.	Part no.	Quantity	Description	Specification
1	10001986	1	Directional valve	
2	10001988	1	Solenoid	



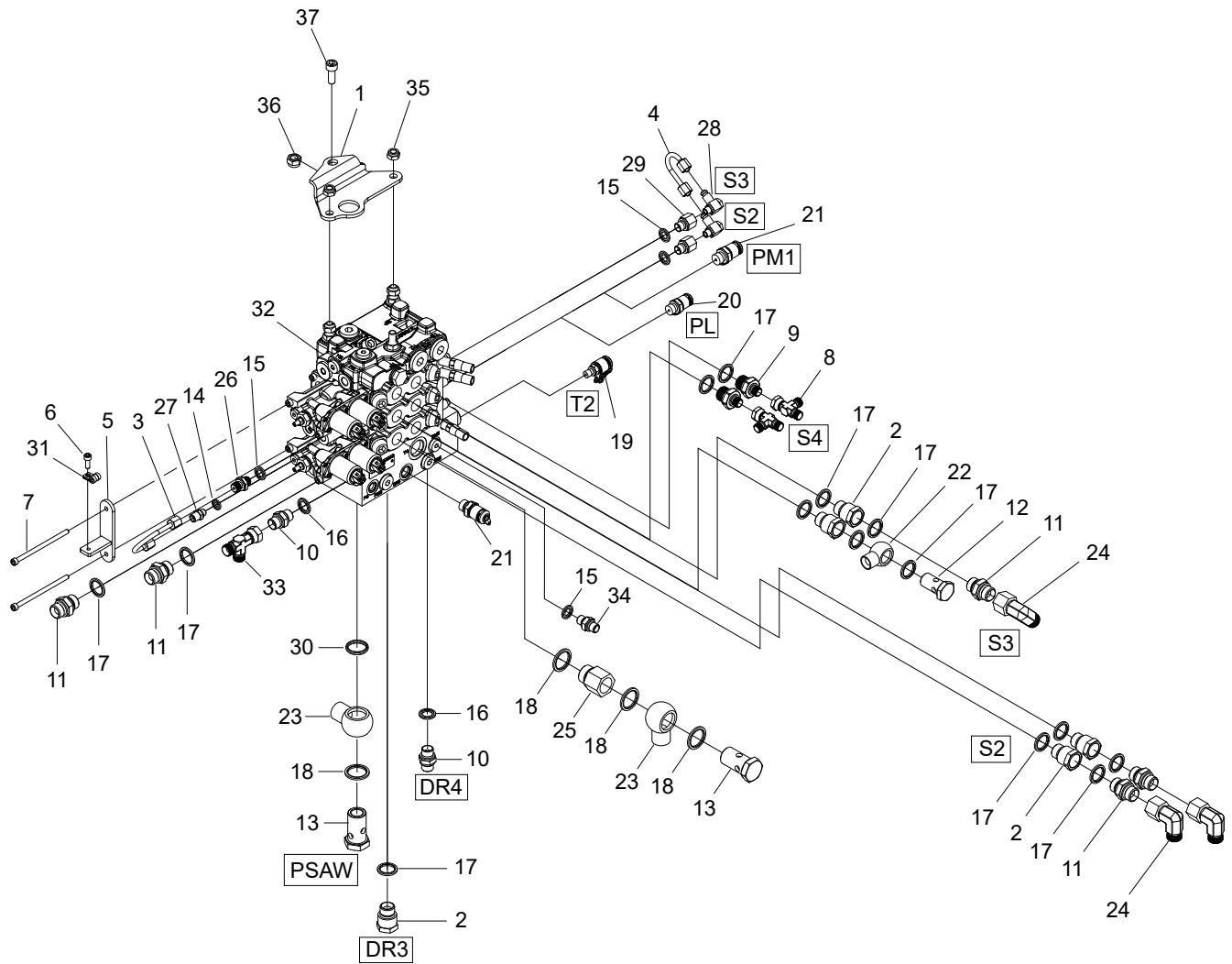
Directional valve

Structure 10001986				
Pos.	Part no.	Quantity	Description	Specification
1	10002596	1	Seal kit	



Pressure reducer valve

Structure 612073				
Pos.	Part no.	Quantity	Description	Specification
1	612074	1	Seal kit	

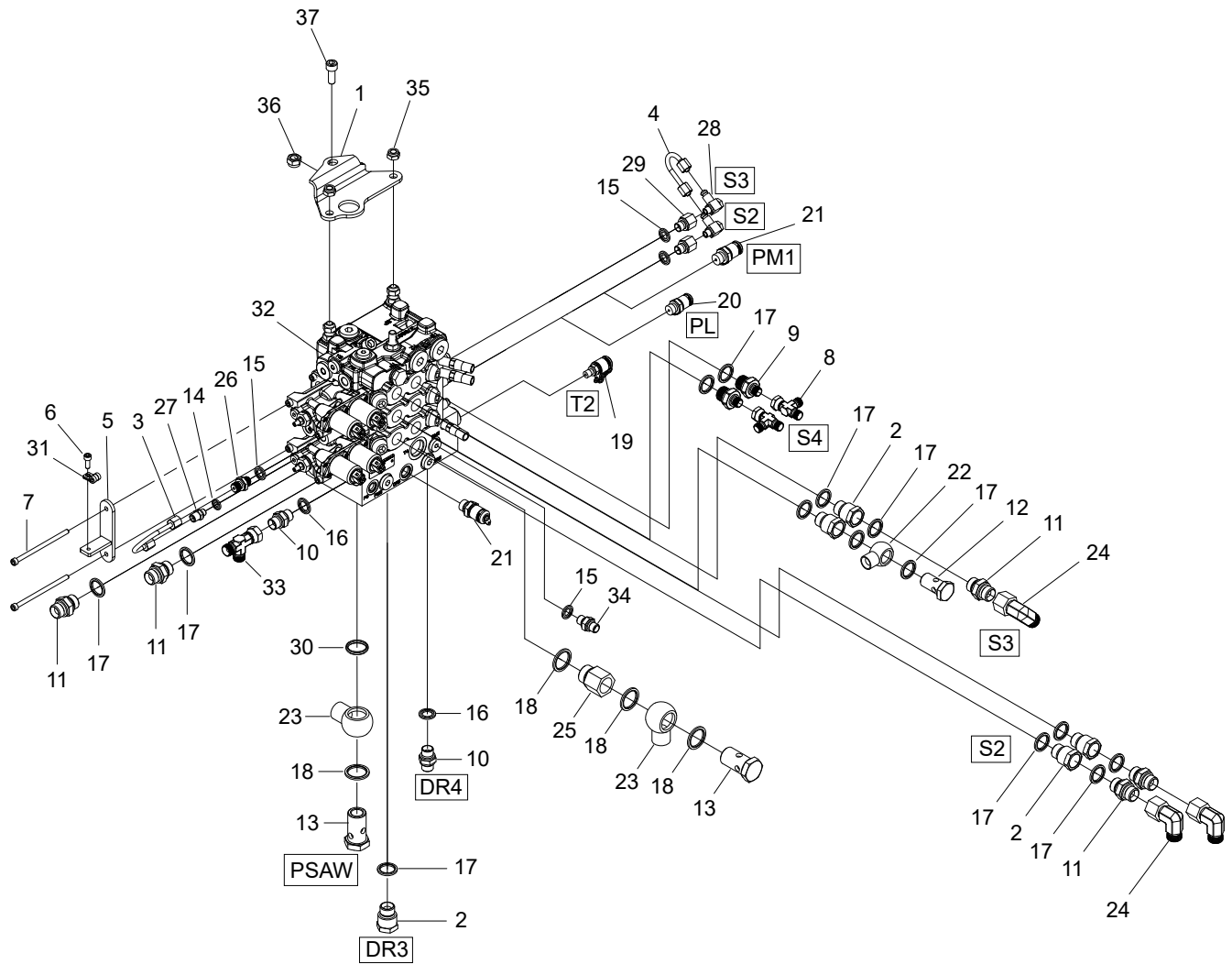


07/087

Log Max - Right manifold

Right manifold assembly

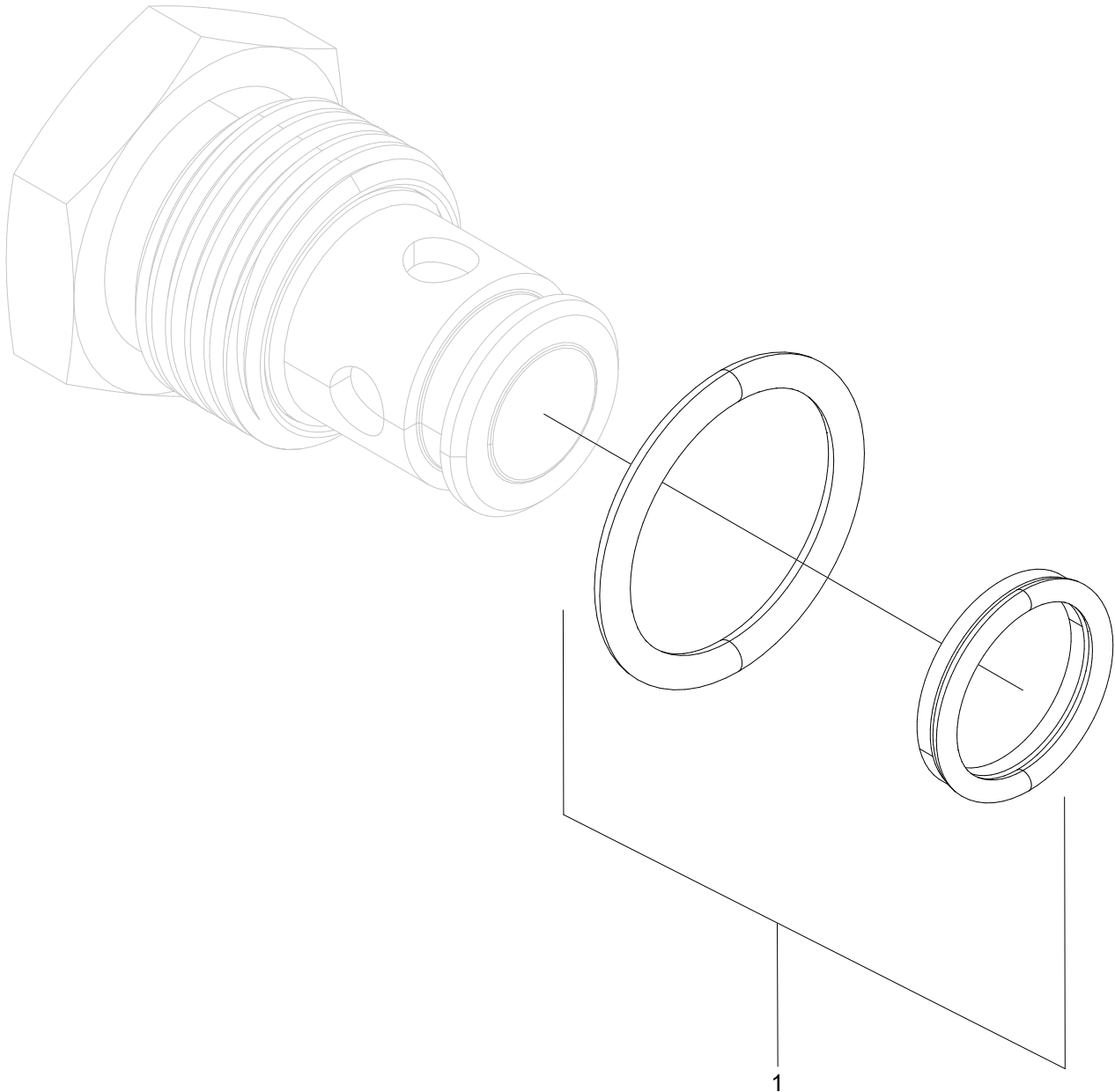
Structure 005545-2				
Pos.	Part no.	Quantity	Description	Specification
1	012360	1	Bracket	
2	013805	5	Adapter	
3	013830	1	Tube	B – side / B – sida
4	014193	1	Tube	A – side / A – sida
5	014221	1	Bracket	
6	501045	1	Screw	MC6S M6x16 12.9
7	505055	2	Screw	MC6S M6x105 12.9
8	601010	2	T-adapter	BSP – 04 IM / UF / UF
9	601030	2	Adapter	R 1/4" UF – R 1/2" UF
10	601032	2	Adapter	BSP – 06
11	601036	5	Adapter	R 1/2" UF – R 1/2" UF
12	601062	1	Banjo screw	R 1/2"
13	601067	2	Banjo screw	R 3/4"
14	601100	1	Bonded seal	1/8"
15	601101	4	Bonded seal	1/4"
16	601102	2	Bonded seal	3/8"
17	601103	14	Bonded seal	1/2"
18	601104	4	Bonded seal	3/4"
19	601260	1	Test point	1/8"
20	601261	1	Test point	1/4"
21	601262	2	Test point	3/8"
22	602016	1	Adapter	R 1/2"
23	602017	2	Adapter	R 3/4"
24	602026	3	Elbow	R 1/2" UF – IF 90
25	602057	1	Adapter	R 3/4" – R 3/4" UF – IF
26	602060	1	Adapter	R 1/4" – 6L
27	602061	1	Adapter	R 1/8" – 6L
28	602075	2	Adapter	R 1/8" – 6L
29	602086	2	Adapter	1/4" – 1/8" UF – IF
30	602109	1	Seal ring	3/4"
31	622061	1	Clamp	16 mm
32	614020-01	1	Manifold	
33	601011	1	T-adapter	BSP -06 IF/UF/UF



07/087

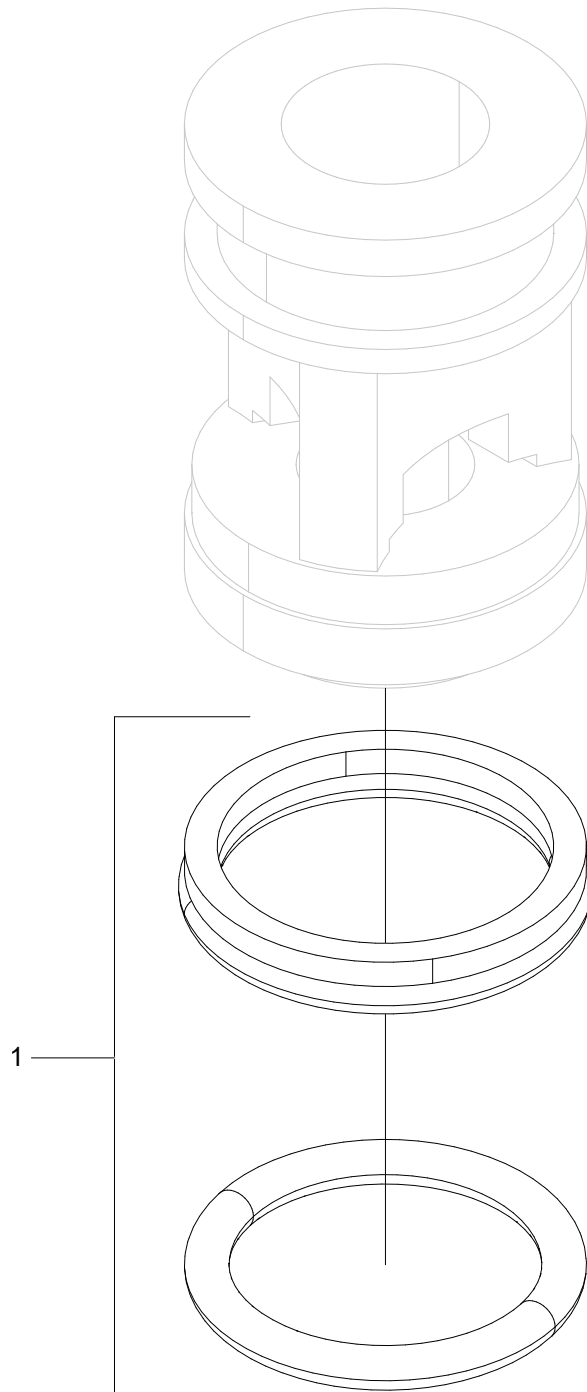
Log Max - Right manifold

Structure				
Pos.	Part no.	Quantity	Description	Specification
34	601028	1	Adapter	R 1/4" UF – R 1/4" UF
35	502055	2	Nut	M10 Locking Low / Låg
36	502056	1	Nut	M12 Locking Low / Låg
37	501109	1	Screw	M12x30 12.9



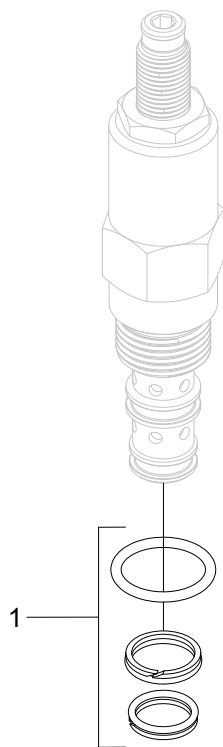
Check valve

Structure 617044				
Pos.	Part no.	Quantity	Description	Specification
1	620351	1	Seal kit	



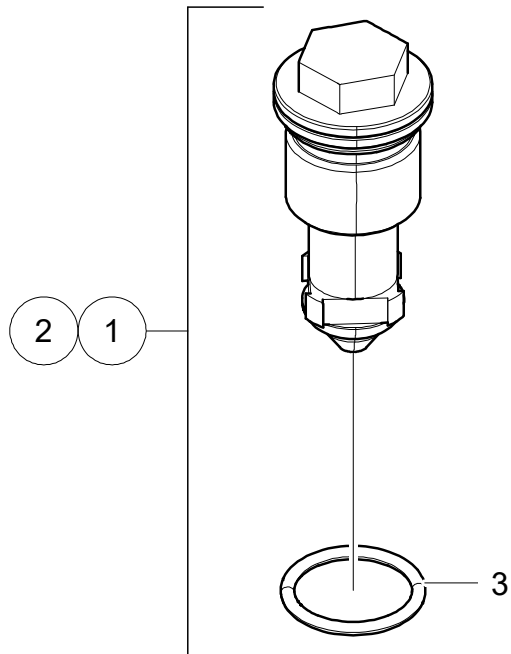
Check valve

Structure 617013				
Pos.	Part no.	Quantity	Description	Specification
1	620356	1	Seal kit	



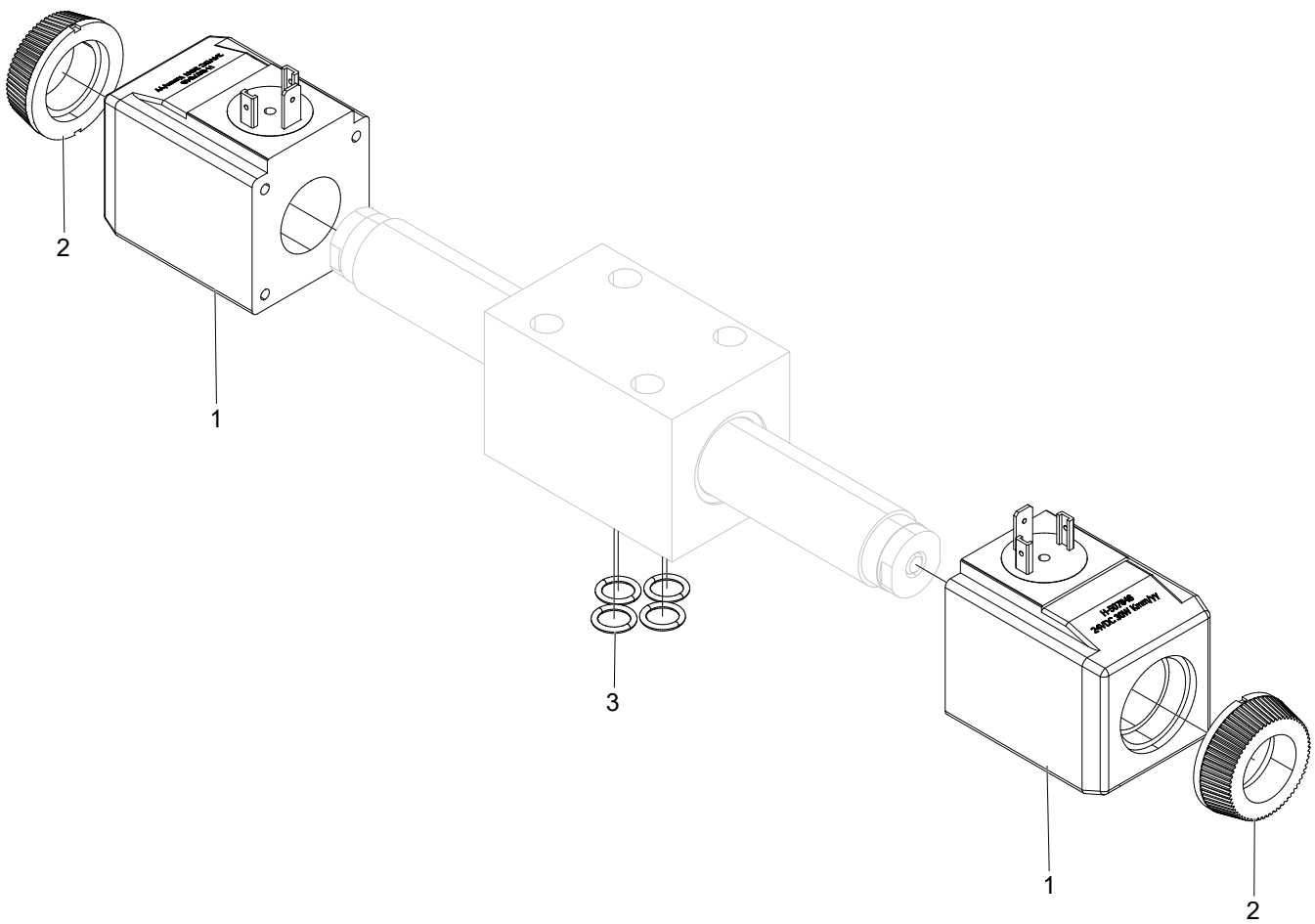
Pressure reducer valve

Structure 619016				
Pos.	Part no.	Quantity	Description	Specification
1	620352	1	Seal kit	



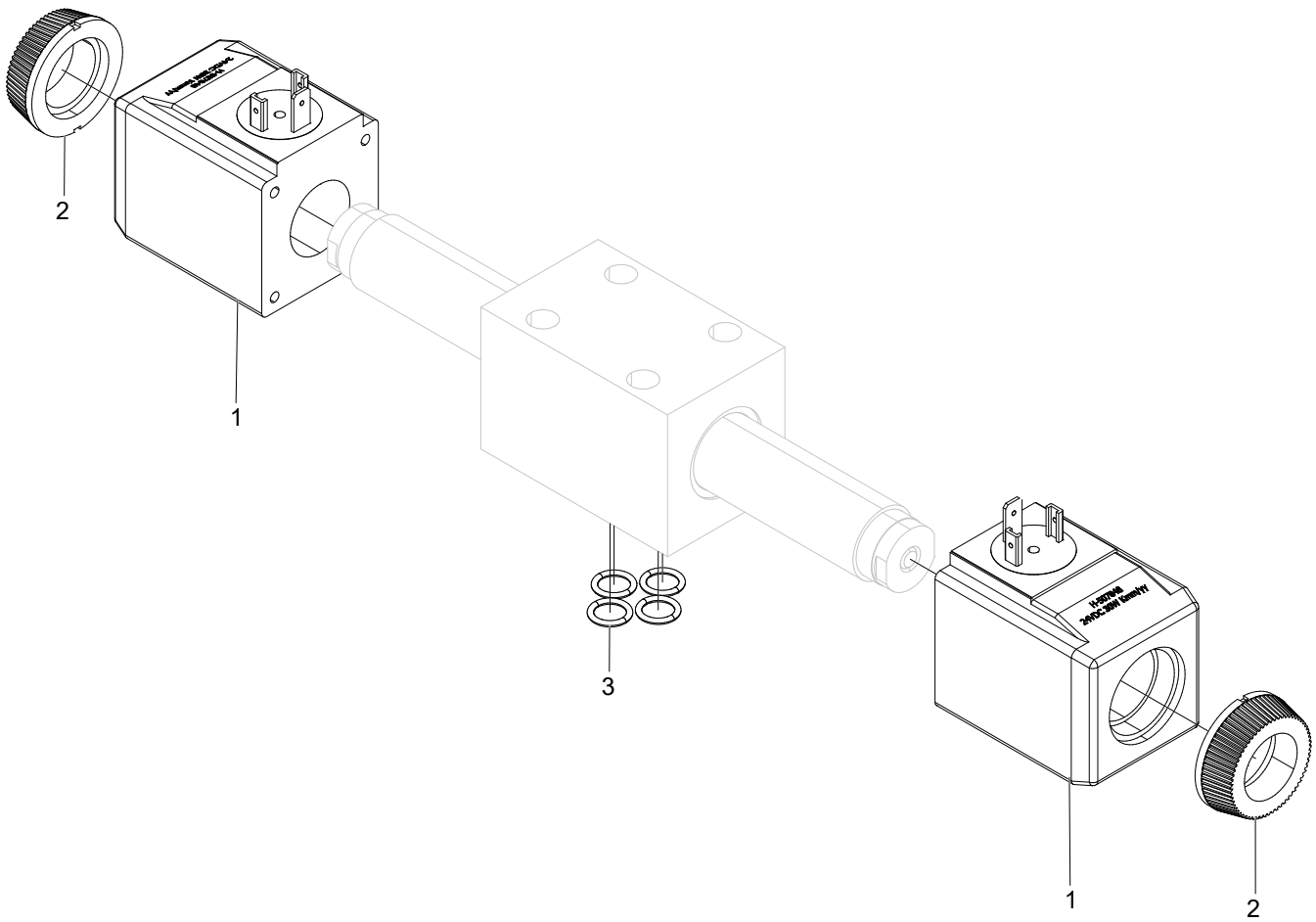
Pressure reducer valves

Structure 617032, 617033				
Pos.	Part no.	Quantity	Description	Specification
1	617032	1	Pressure reducer valve	210 bar
2	617033	1	Pressure reducer valve	190 bar
3	540043	1	O-ring	15.6x1.78



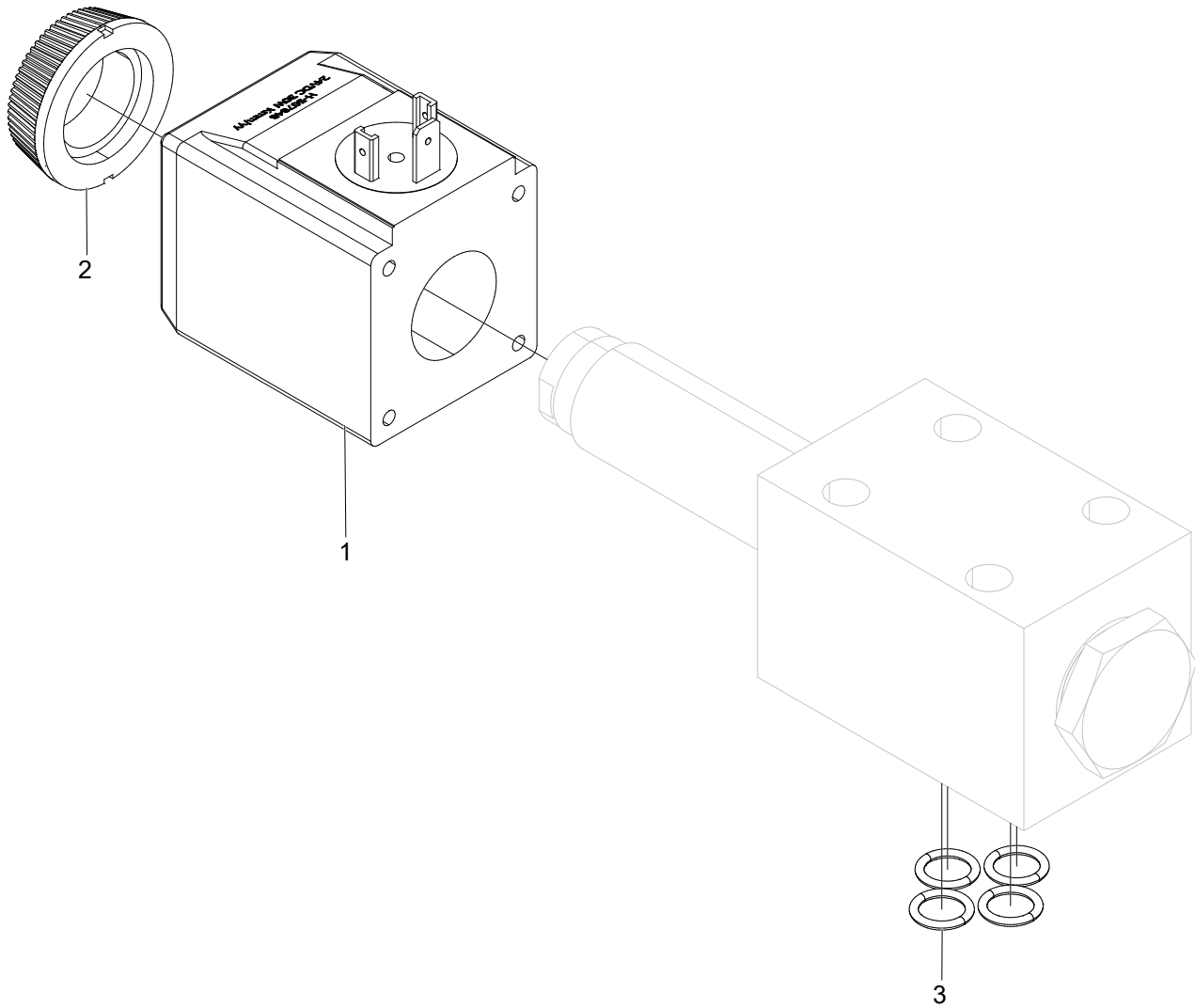
Valve 24V

Structure 010278				
Pos.	Part no.	Quantity	Description	Specification
1	613002	2	Solenoide	24V
2	613059	2	Nut	
3	540006	4	O-ring	9.25x1.78



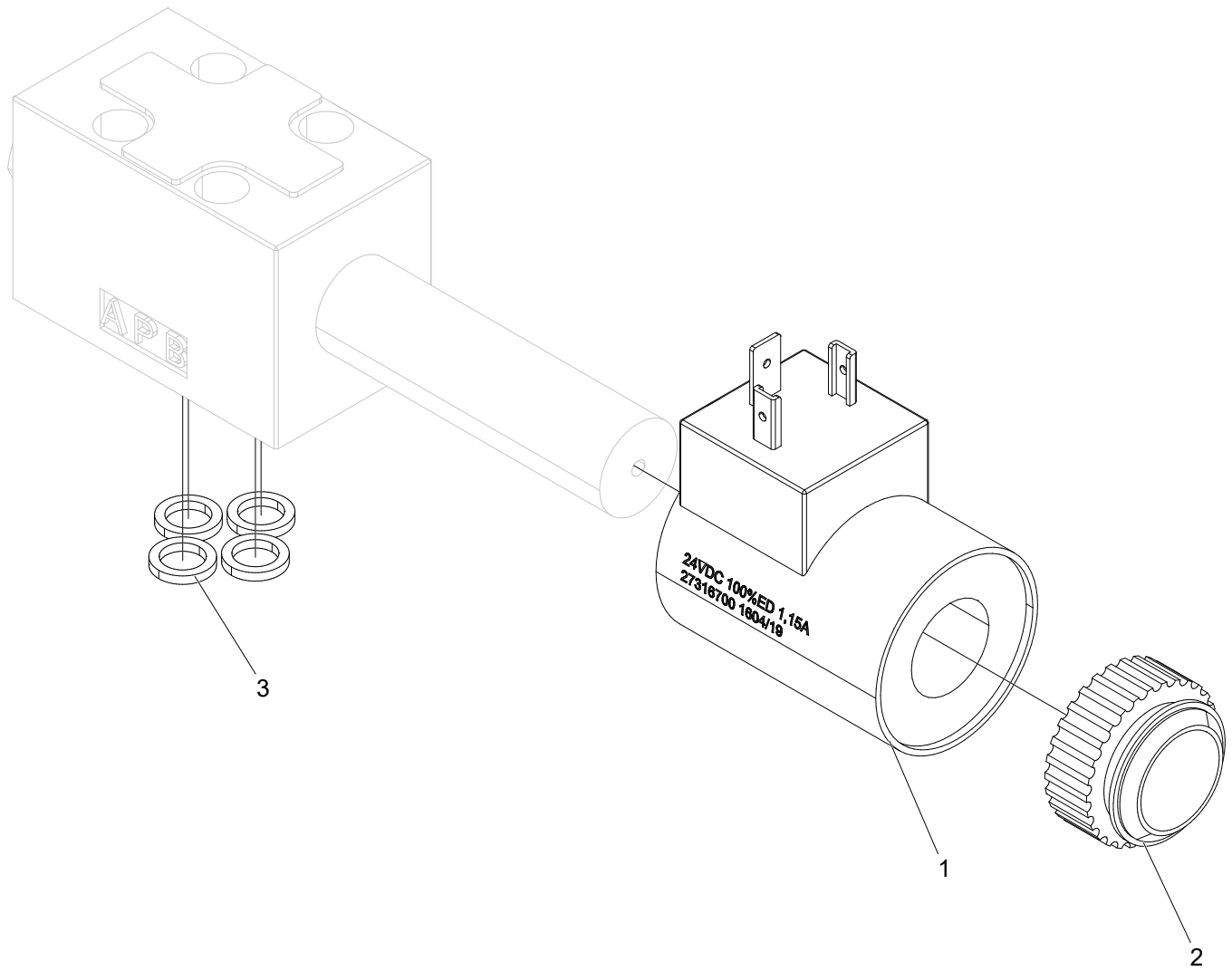
Valve 24V

Structure 010280				
Pos.	Part no.	Quantity	Description	Specification
1	613002	2	Solenoide	24V
2	613059	2	Nut	
3	540006	4	O-ring	9.25x1.78



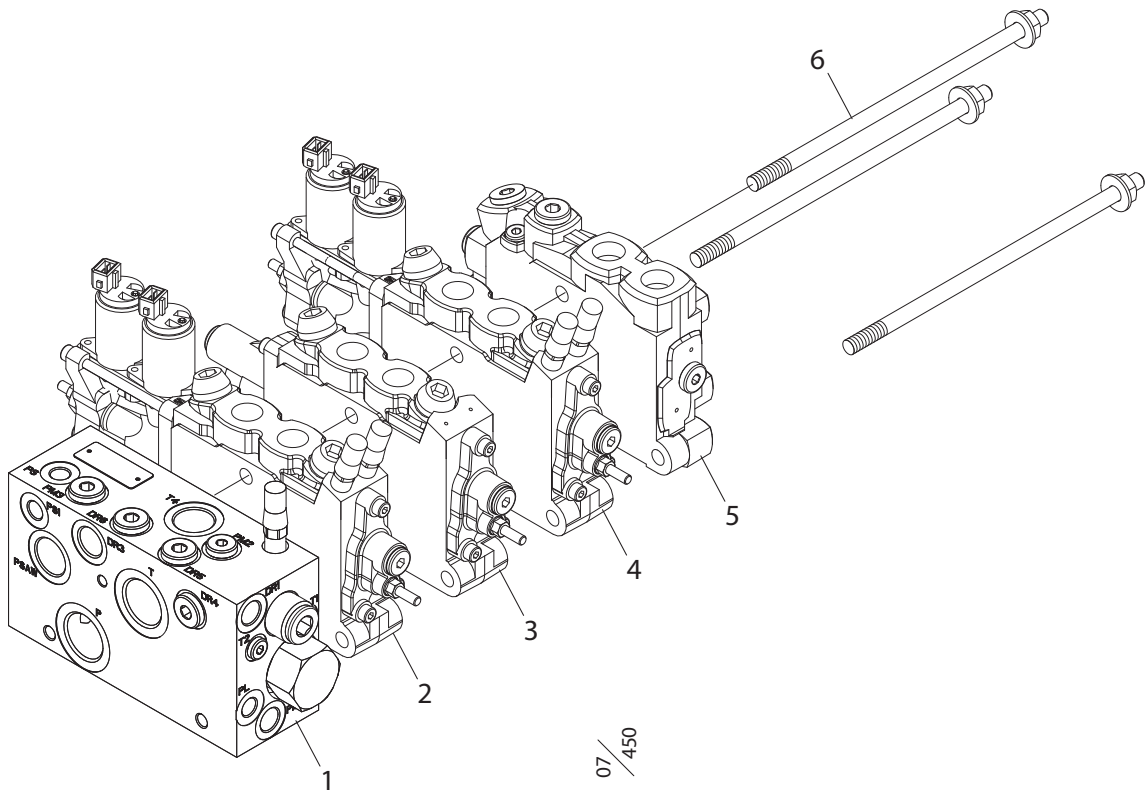
Valve 24V

Structure 011626				
Pos.	Part no.	Quantity	Description	Specification
1	613002	1	Solenoid	24V
2	613059	1	Nut	
3	540006	4	O-ring	9.25x1.78



Valve 24V

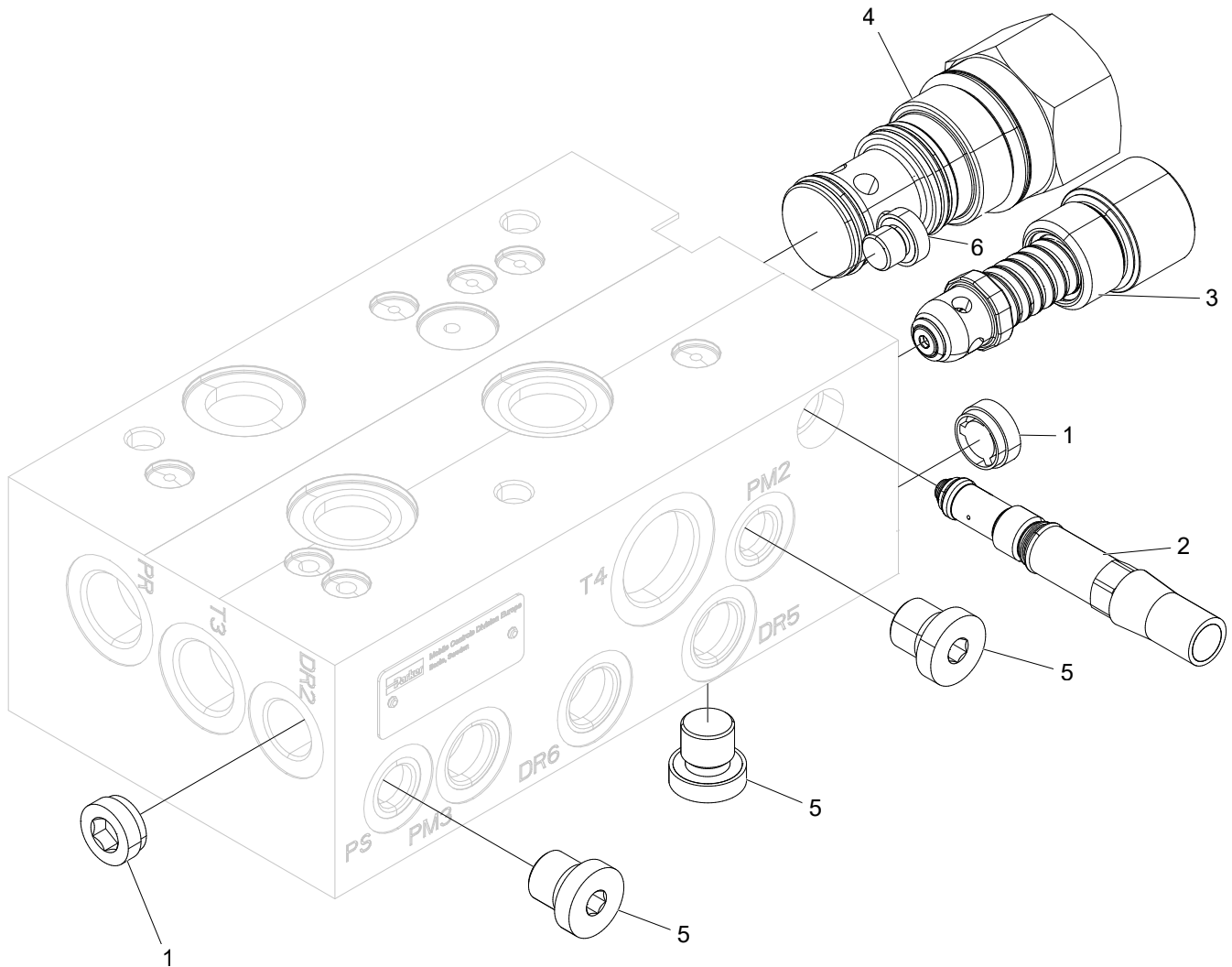
Structure 612057				
Pos.	Part no.	Quantity	Description	Specification
1	613069	1	Solenoide	24V
2	613105	1	Plastic nut	
3	540037	4	O-ring	7.65x1.68



07 / 450

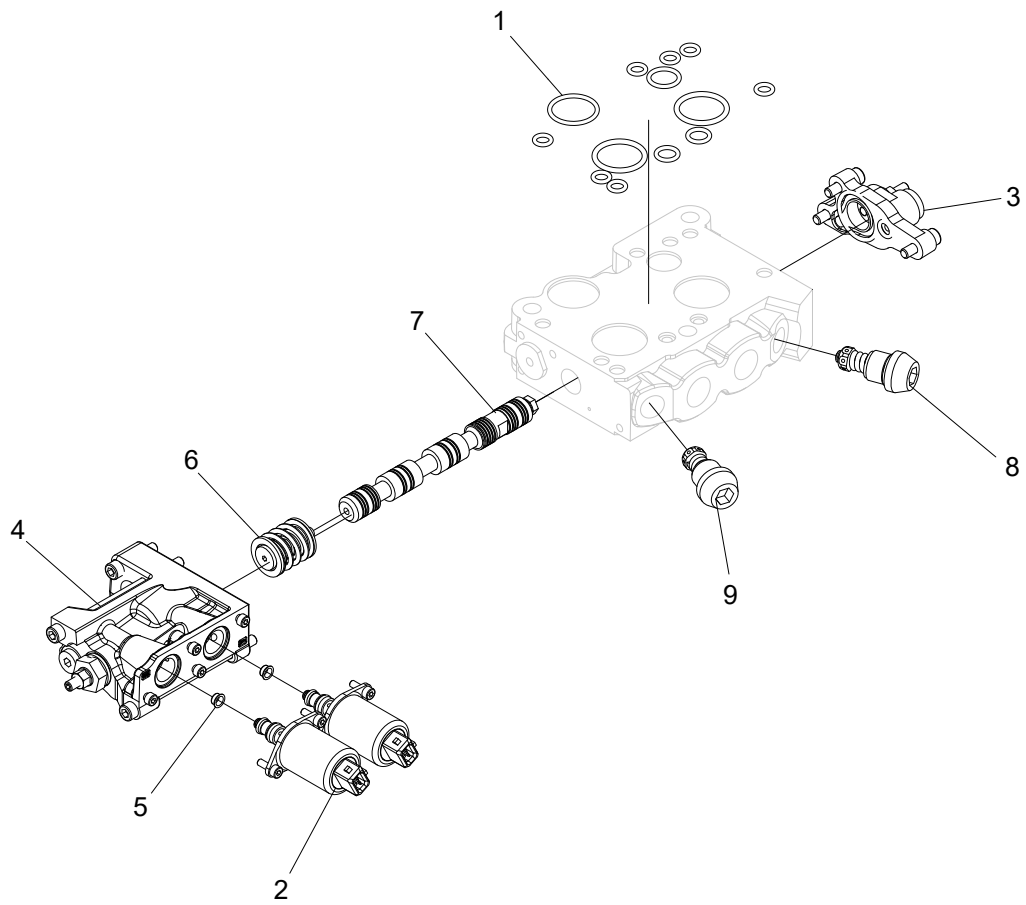
Right manifold

Structure 614020-01				
Pos.	Part no.	Quantity	Description	Specification
1	614116-04	1	Inlet manifold	S01
2	614115-03	1	Feed section	S02
3	614114-02	1	Feed section	S03
4	614111-02	1	Knife section	S04
5	614110-01	1	End section	S05
6	620479	1	Tie rod kit	L= 250 mm



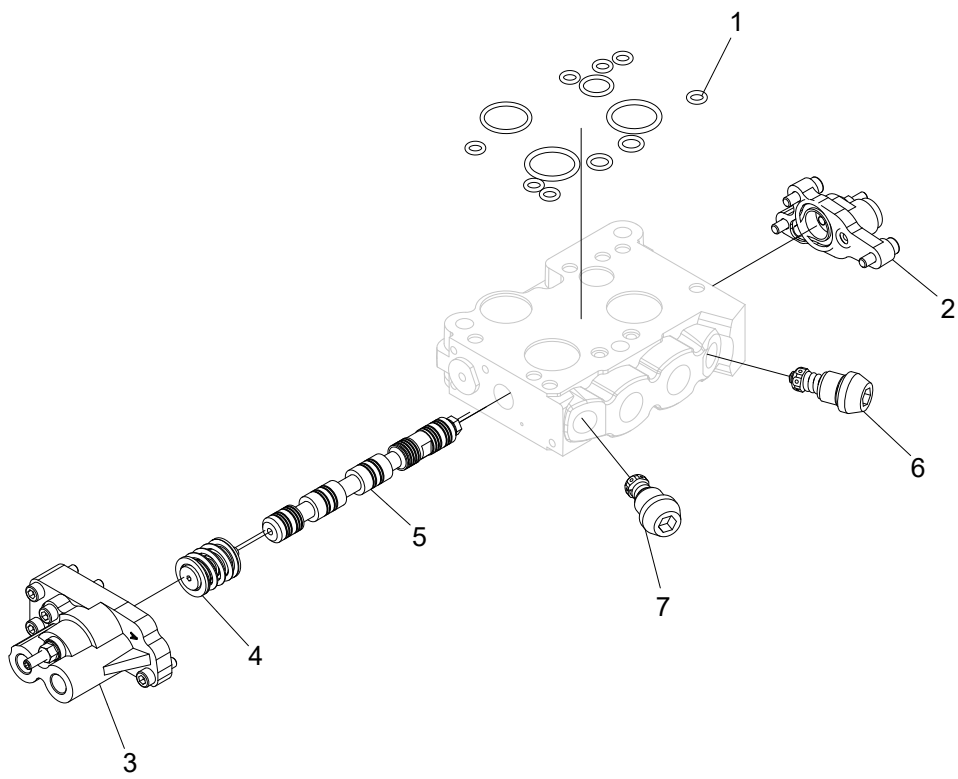
Inlet manifold S01

Structure 614116-04				
Pos.	Part no.	Quantity	Description	Specification
1	617028	2	Check valve	
2	620397	1	Feed reducer	
3	611196	1	Relief valve	330 bar
4	620543	1	Reducer valve	
5	601001	3	Hex plug	1/4"
6	601000	1	Hex plug	1/8"



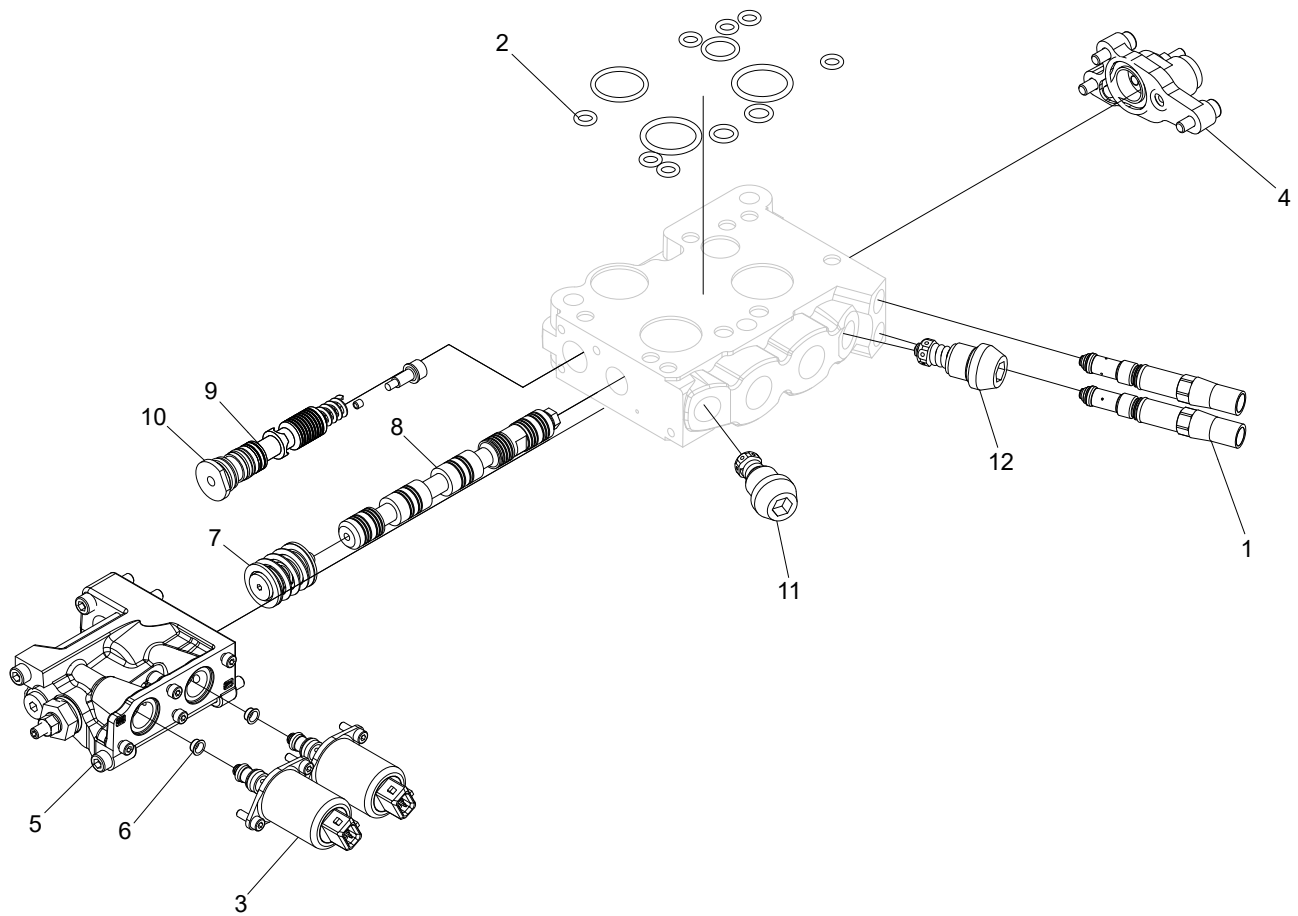
Feed section S02

Structure 614115-03				
Pos.	Part no.	Quantity	Description	Specification
1	620377	1	Seal kit	
2	620590	2	Solenoid	
3	620390	1	Cap	
4	620342	1	Cap	
5	620345	2	Restrictor	Ø1,2mm
6	620485	1	Spring	
7	620454	1	Spool	
8	620400	1	Relief valve	320 bar
9	620484	1	Relief valve	280 bar



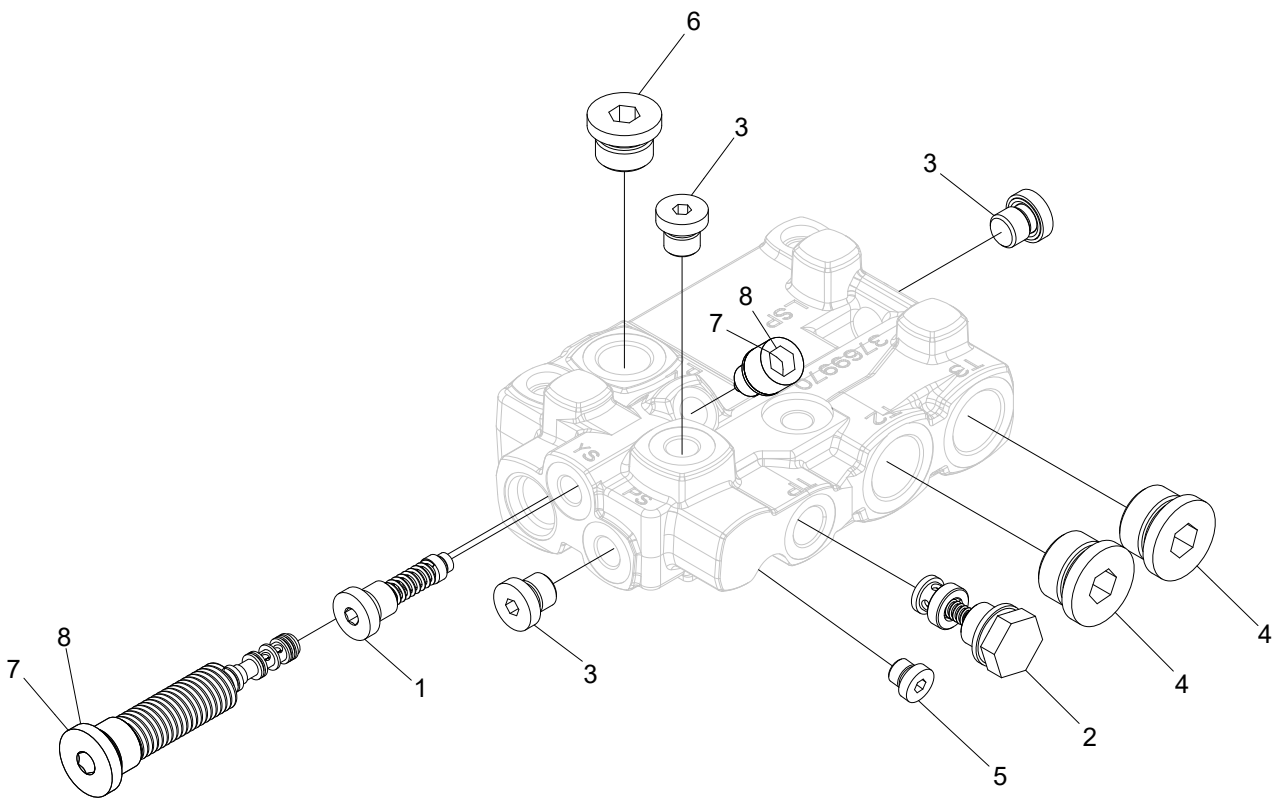
Feed section S03

Structure 614114-02				
Pos.	Part no.	Quantity	Description	Specification
1	620377	1	Seal kit	
2	620390	1	Cap	
3	620391	1	Cap	
4	620485	1	Spring	
5	620454	1	Spool	
6	620400	1	Relief valve	320 bar
7	620484	1	Relief valve	280 bar



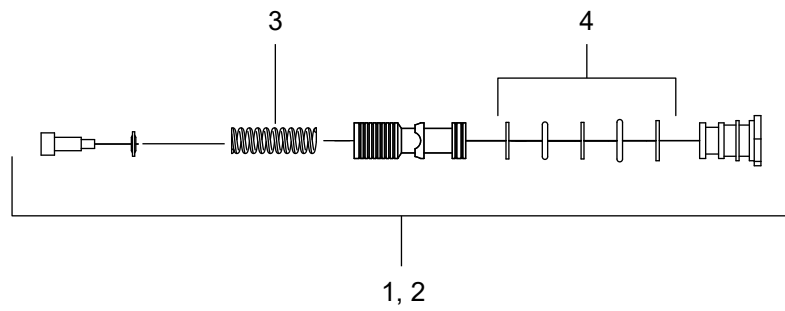
Knife section S04

Structure 614111-02				
Pos.	Part no.	Quantity	Description	Specification
1	620397	2	Feed reducer	
2	620377	1	Seal kit	
3	620590	2	Solenoid	
4	620390	1	Cap	
5	620342	1	Cap	
6	620345	2	Restrictor	Ø1,2mm
7	620392	1	Spring	
8	620444	1	Spool	
9	620510	1	Compensator	
10	620512	1	Compensator	
11	620399	1	Relief valve	125 bar
12	620407	1	Relief valve	190 bar



End section S05

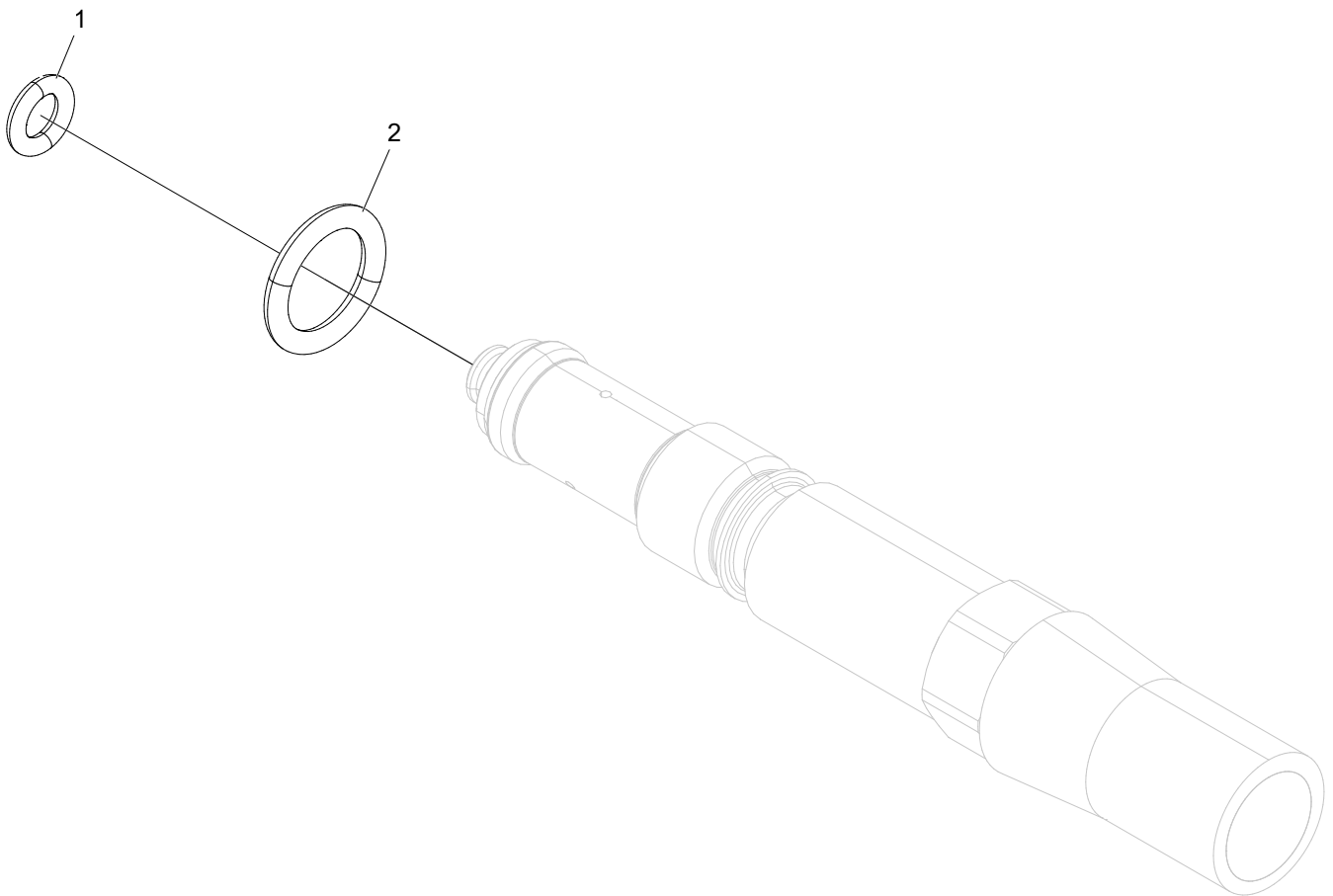
Structure 614110-01				
Pos.	Part no.	Quantity	Description	Specification
1	620426	1	Pilot filter	
2	617070	1	Check valve	
3	601001	3	Hex plug	1/4"
4	601004	2	Hex plug	3/4"
5	601000	1	Hex plug	1/8"
6	601003	1	Hex plug	1/2"
7	620417	1	Reducer valve	G
8	620418	1	Reducer valve	R



07 / 014

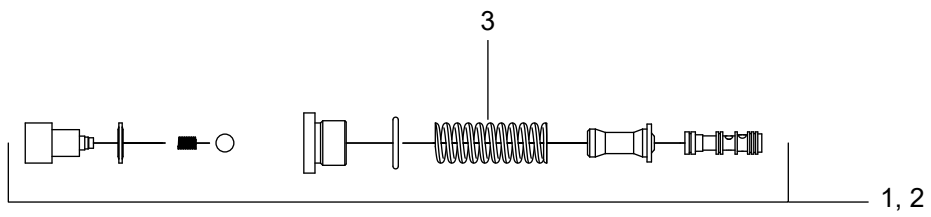
Compensator kit

Structure 620510, 620512				
Pos.	Part no.	Quantity	Description	Specification
1	620510	1	Compensator kit	K, B
2	620512	1	Compensator kit	K, G
3	620413	1	Compensator spring	K
4	620376	1	Seal kit	



Feed reducer

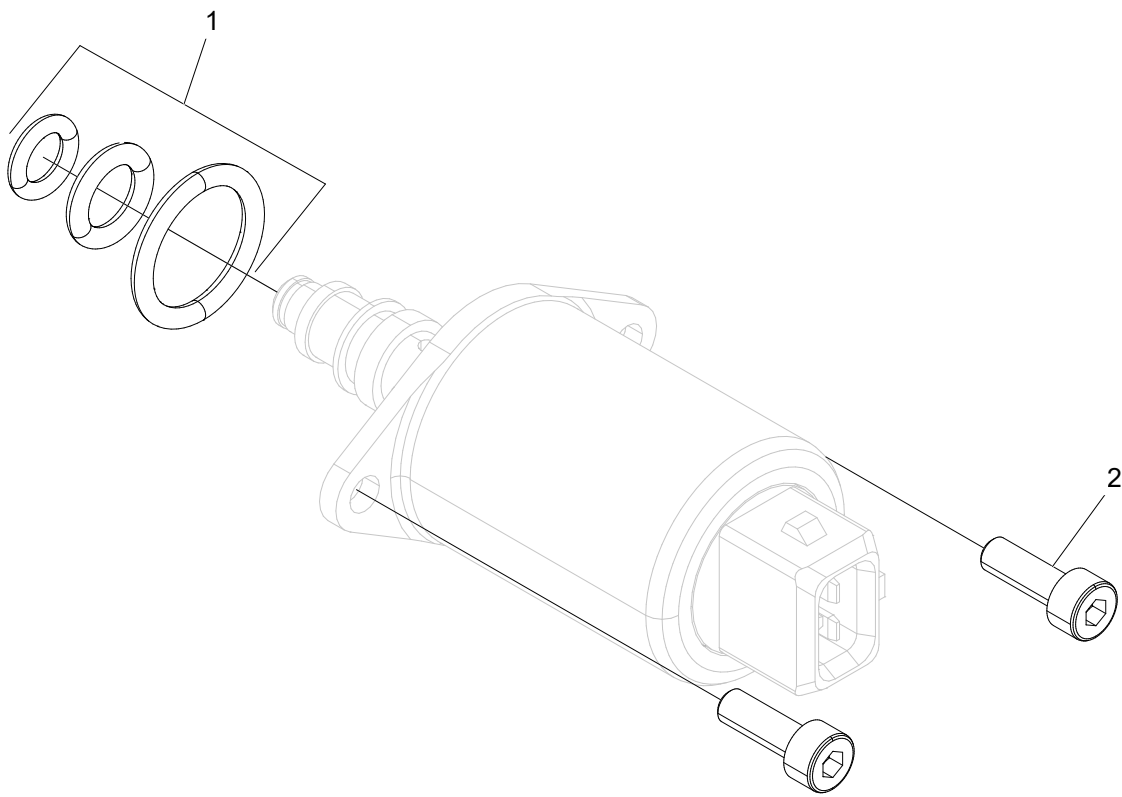
Structure 620397				
Pos.	Part no.	Quantity	Description	Specification
1	540001	1	O-ring	4.1x1.6
2	543022	1	O-ring	9.5x2.0



07 / 013

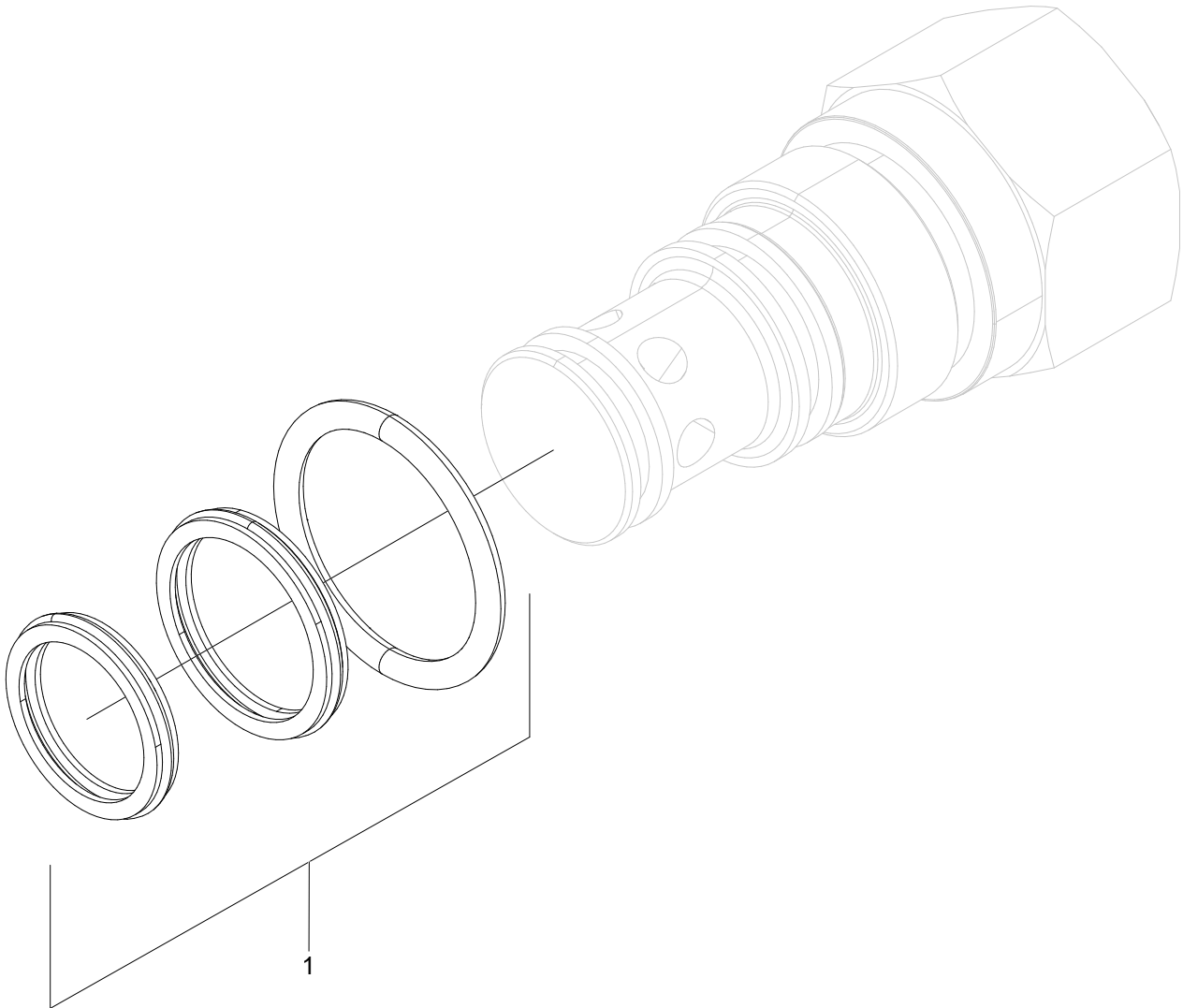
Pilot reducer

Structure 620417, 620418				
Pos.	Part no.	Quantity	Description	Specification
1	620417	1	Pilot reducer	35 bar, G
2	620418	1	Pilot reducer	35 bar, R
3	620425	1	Spring	35 bar



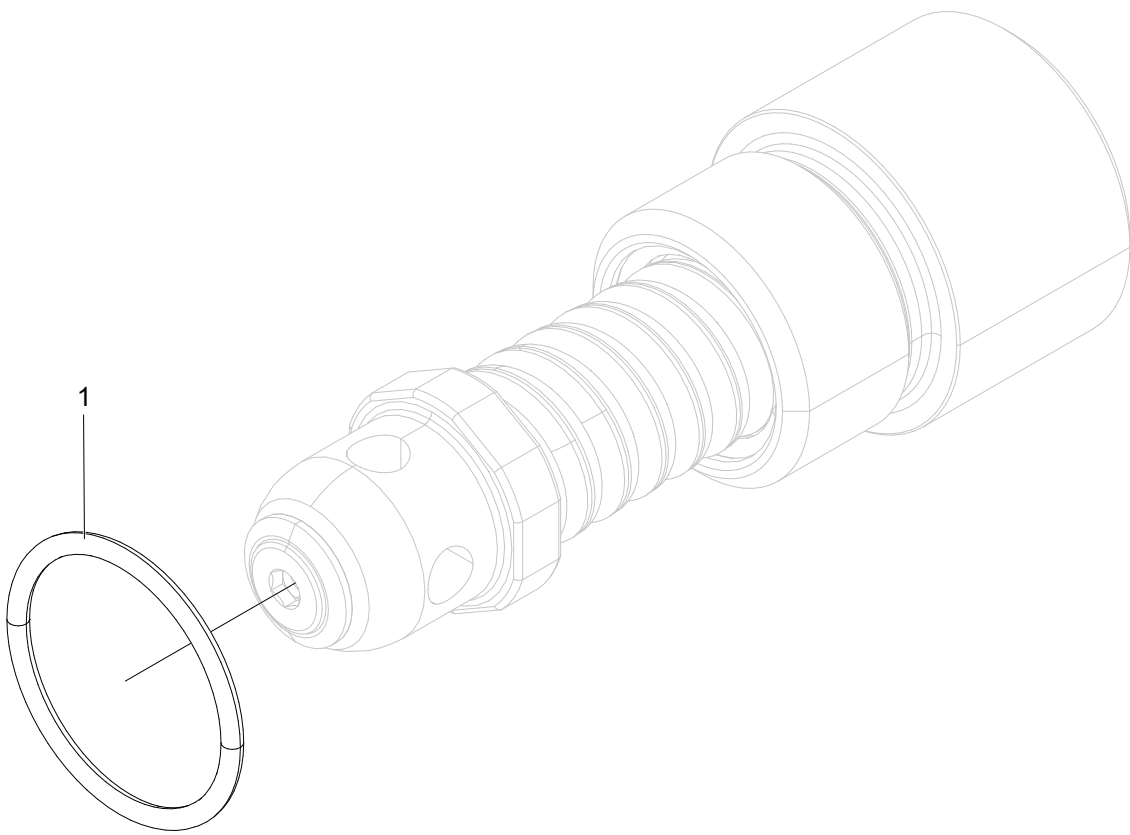
Pilot valve

Structure 620590				
Pos.	Part no.	Quantity	Description	Specification
1	620344	1	Seal kit	
2	501014	2	Screw	M4x12 12.9



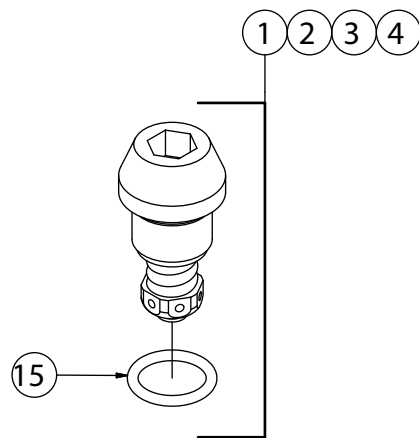
Reducer valve

Structure 620543				
Pos.	Part no.	Quantity	Description	Specification
1	611309	1	Seal kit	



Relief valve

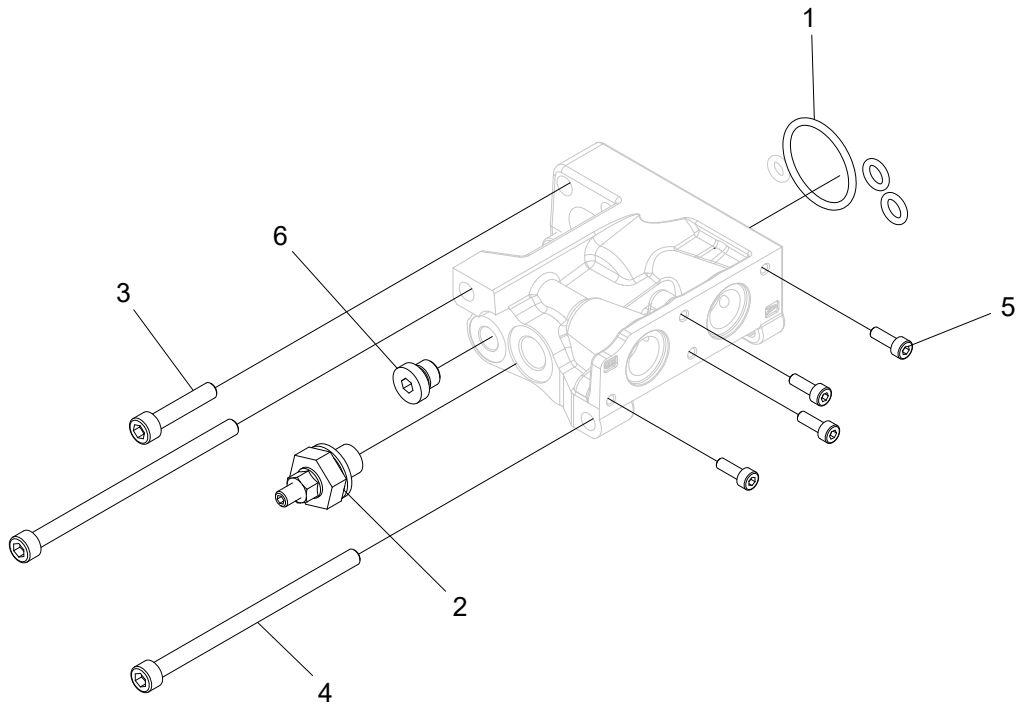
Structure 611196				
Pos.	Part no.	Quantity	Description	Specification
1	540047	1	O-ring	21.95x1.78



07 / 012

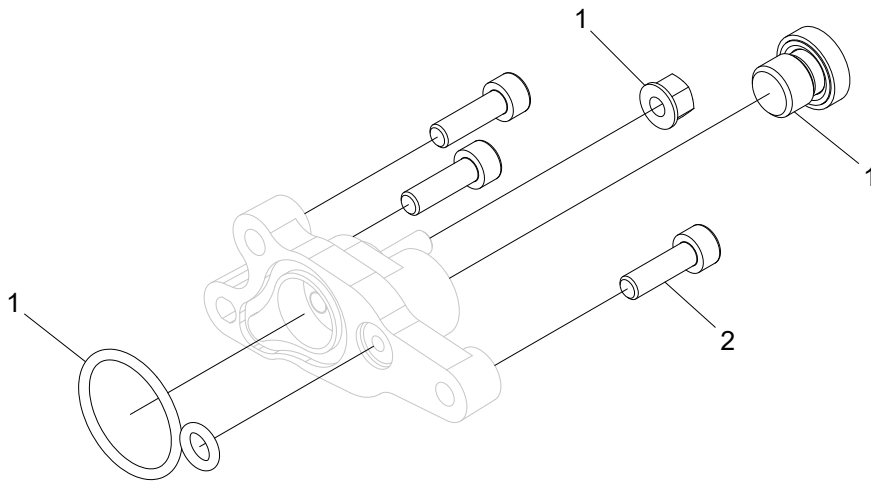
Relief valves

Structure 620399, 620407, 620484, 620400				
Pos.	Part no.	Quantity	Description	Specification
1	620399	1	Relief valve	125 bar
2	620407	1	Relief valve	190 bar
3	620484	1	Relief valve	280 bar
4	620400	1	Relief valve	320 bar
15	540072	1	O-ring	15.3x2.4



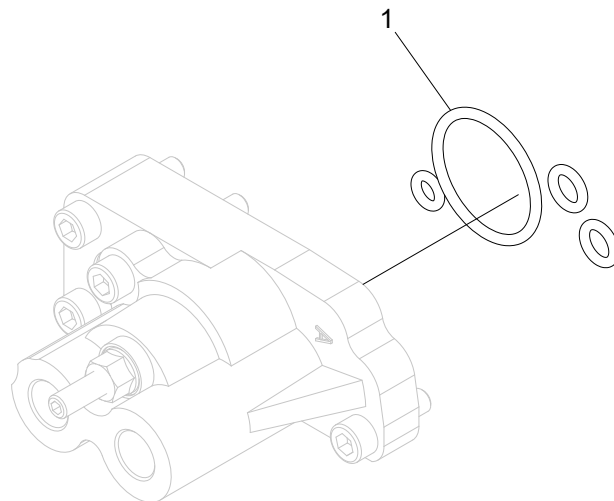
Cap

Structure 620342				
Pos.	Part no.	Quantity	Description	Specification
1	620379	1	Seal kit	
2	620446	1	Spool limiter kit	
3	501049	2	Screw	M6x30 12.9
4	501061	2	Screw	M6x100 12.9
5	501014	4	Screw	M4x12 12.9
6	601000	1	Hex plug	1/8"



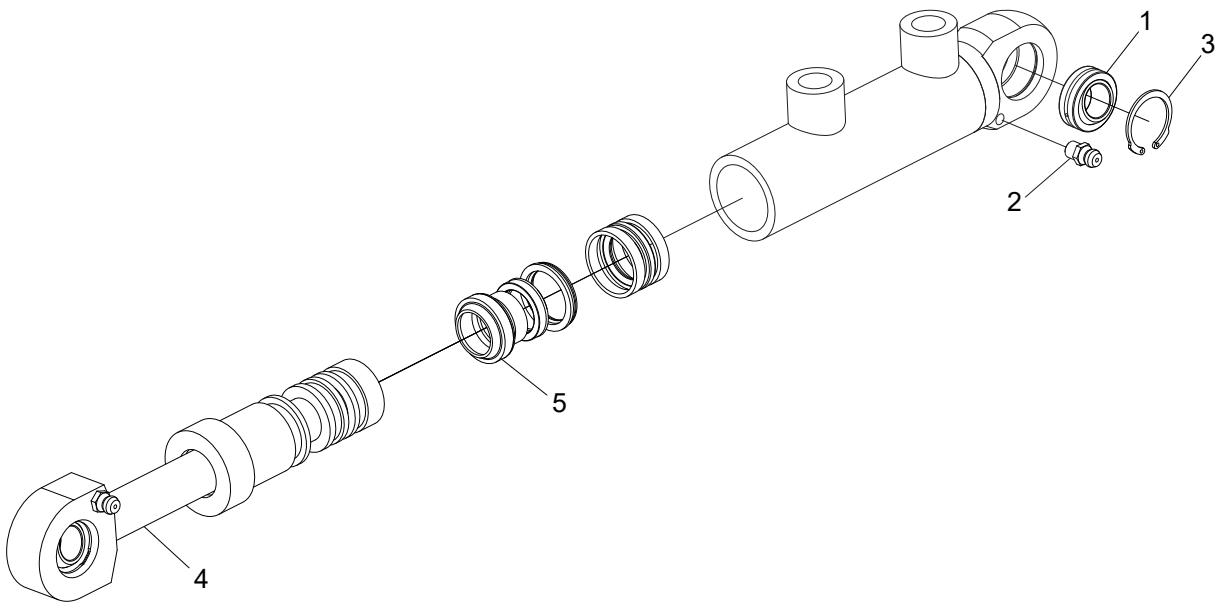
Cap

Structure 620390				
Pos.	Part no.	Quantity	Description	Specification
1	620383	1	Seal kit	
2	501046	3	Screw	M6x20 12.9



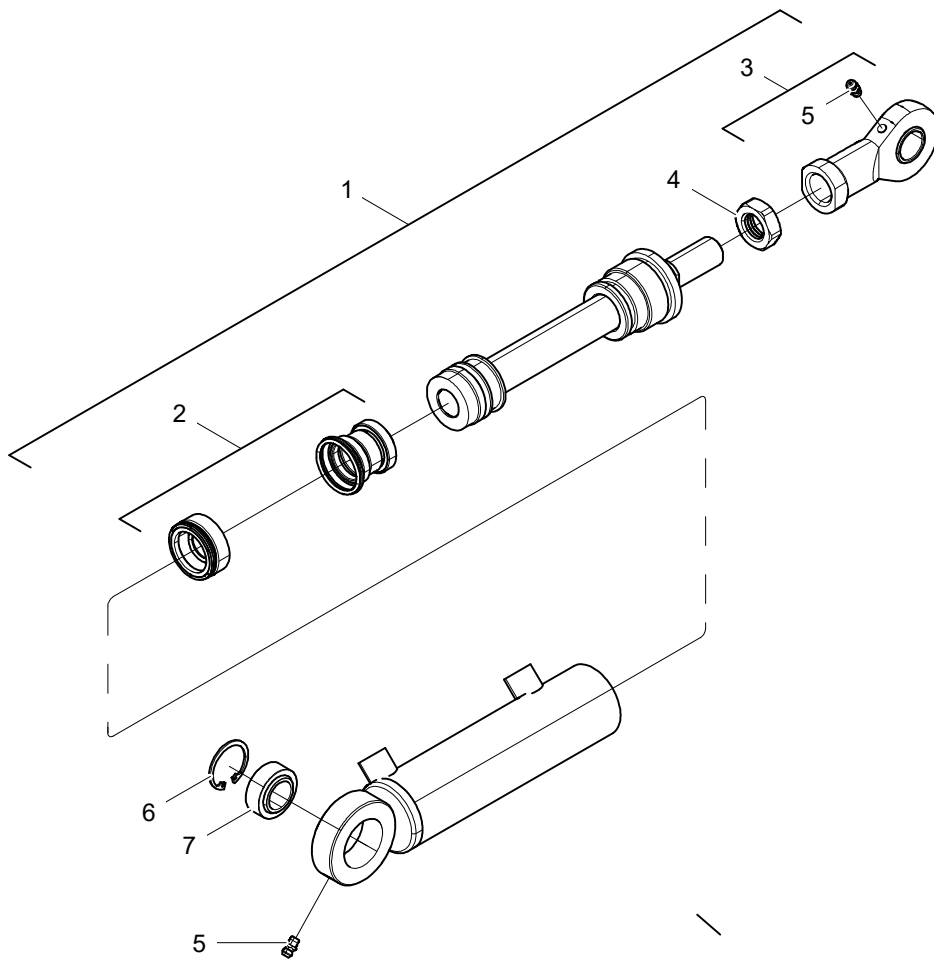
Cap

Structure 620391				
Pos.	Part no.	Quantity	Description	Specification
1	620379	1	Seal kit	



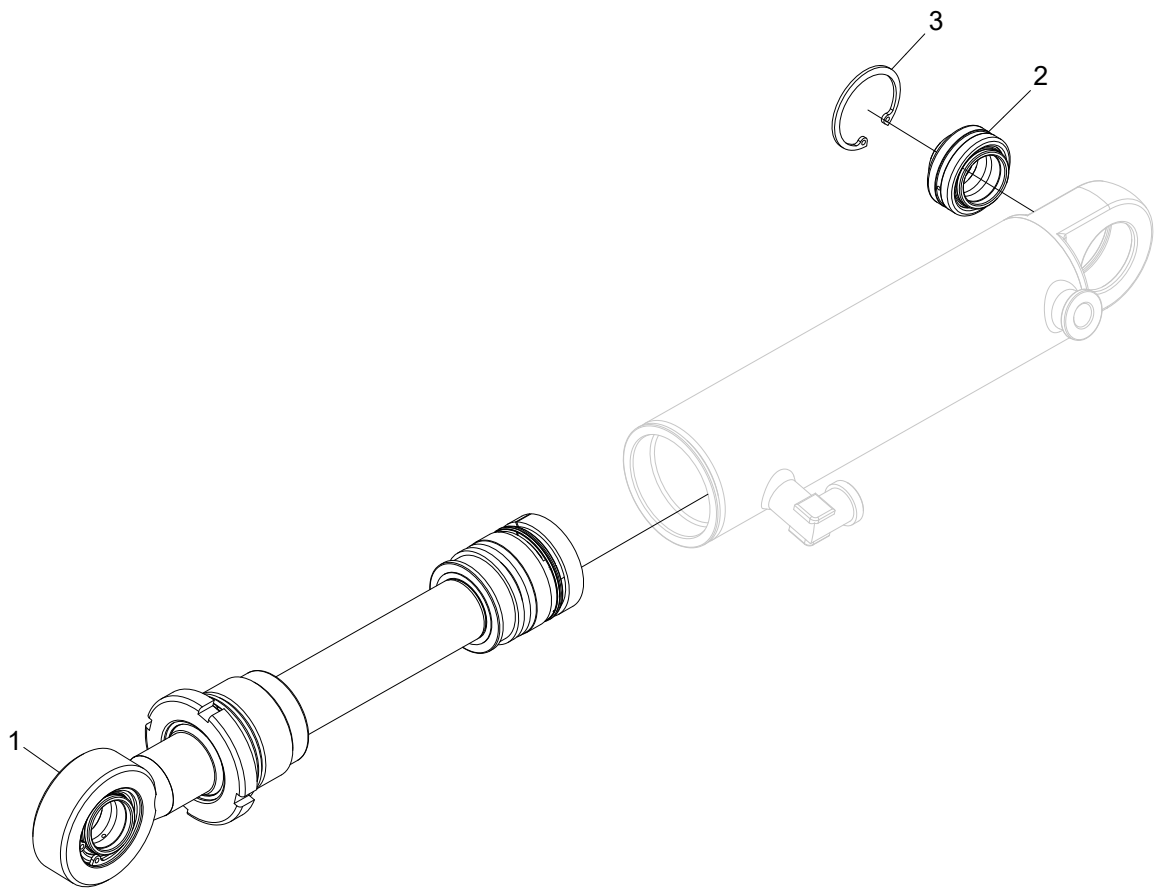
Cylinder Ø25/16-45

Structure 015462				
Pos.	Part no.	Quantity	Description	Specification
1	015220	1	Spherical bushing	GE12E-S
2	625004	1	Grease nipple	M6
3	517214	1	Circlip	JV 22
4	620060-KIT	1	Rod kit	
5	620003	1	Seal kit	



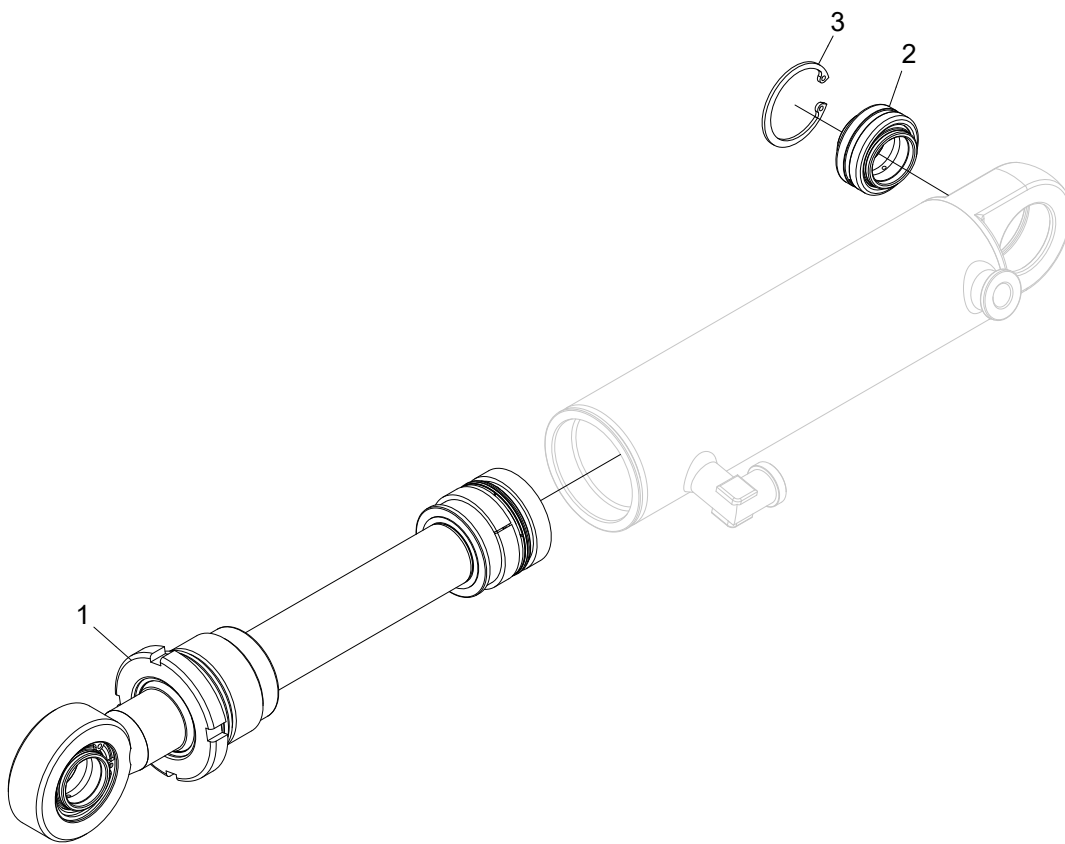
Cylinder Ø40/25-106

Structure 015669				
Pos.	Part no.	Quantity	Description	Specification
1	620631-KIT	1	Rod kit	
2	620071	1	Seal kit	
3	510120	1	Link head	
4	502704	1	Nut	M20x1.5
5	625004	1	Grease nipple	M6
6	517227	1	Lock ring	JV 35
7	510005	1	Spherical bushing	GE 20 ES



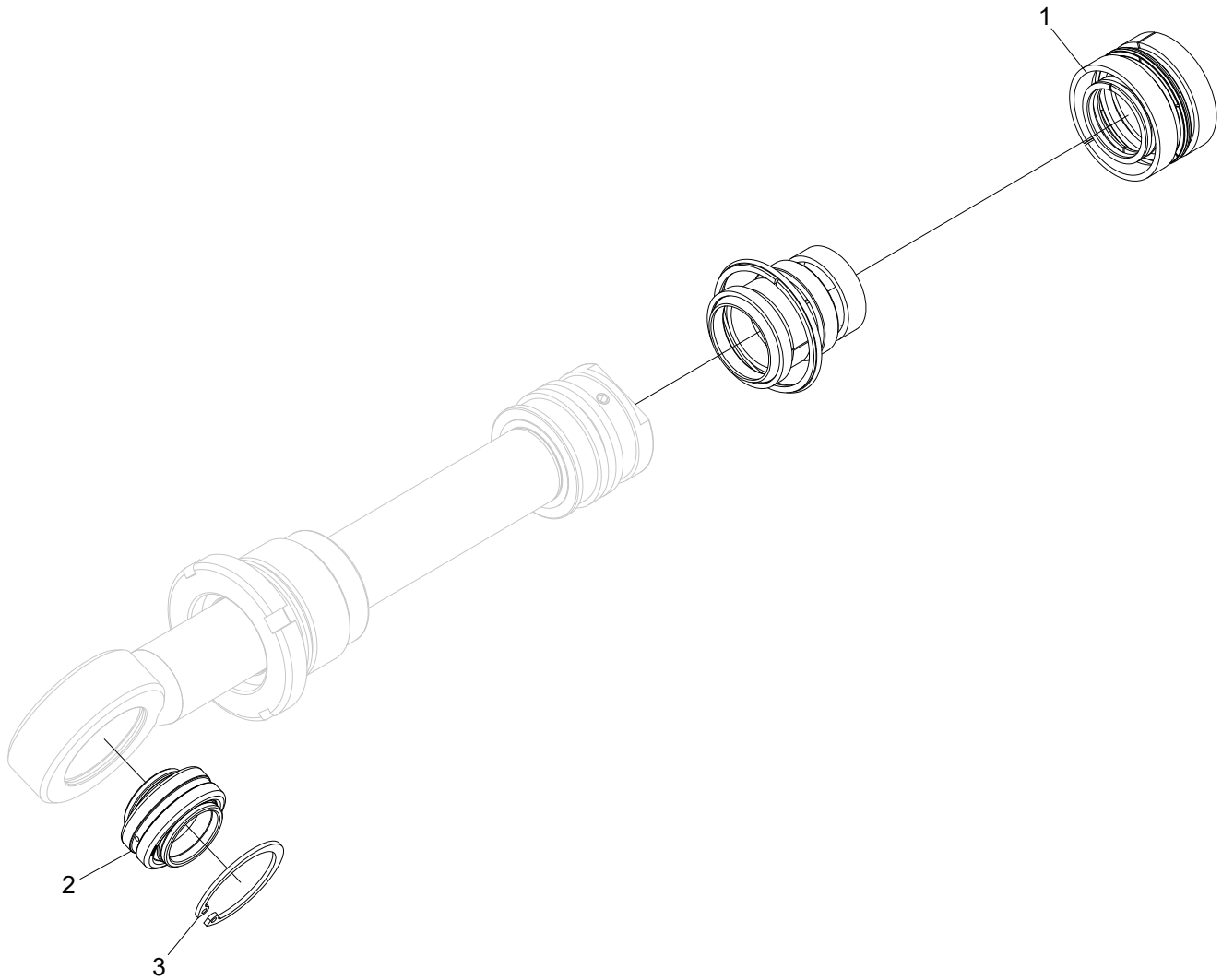
Hydraulic cylinder

Structure 018986				
Pos.	Part no.	Quantity	Description	Specification
1	10000242	1	Rod kit	
2	10000240	1	Spherical bushing	GE25LO
3	517236	1	Circlip	SGH 42



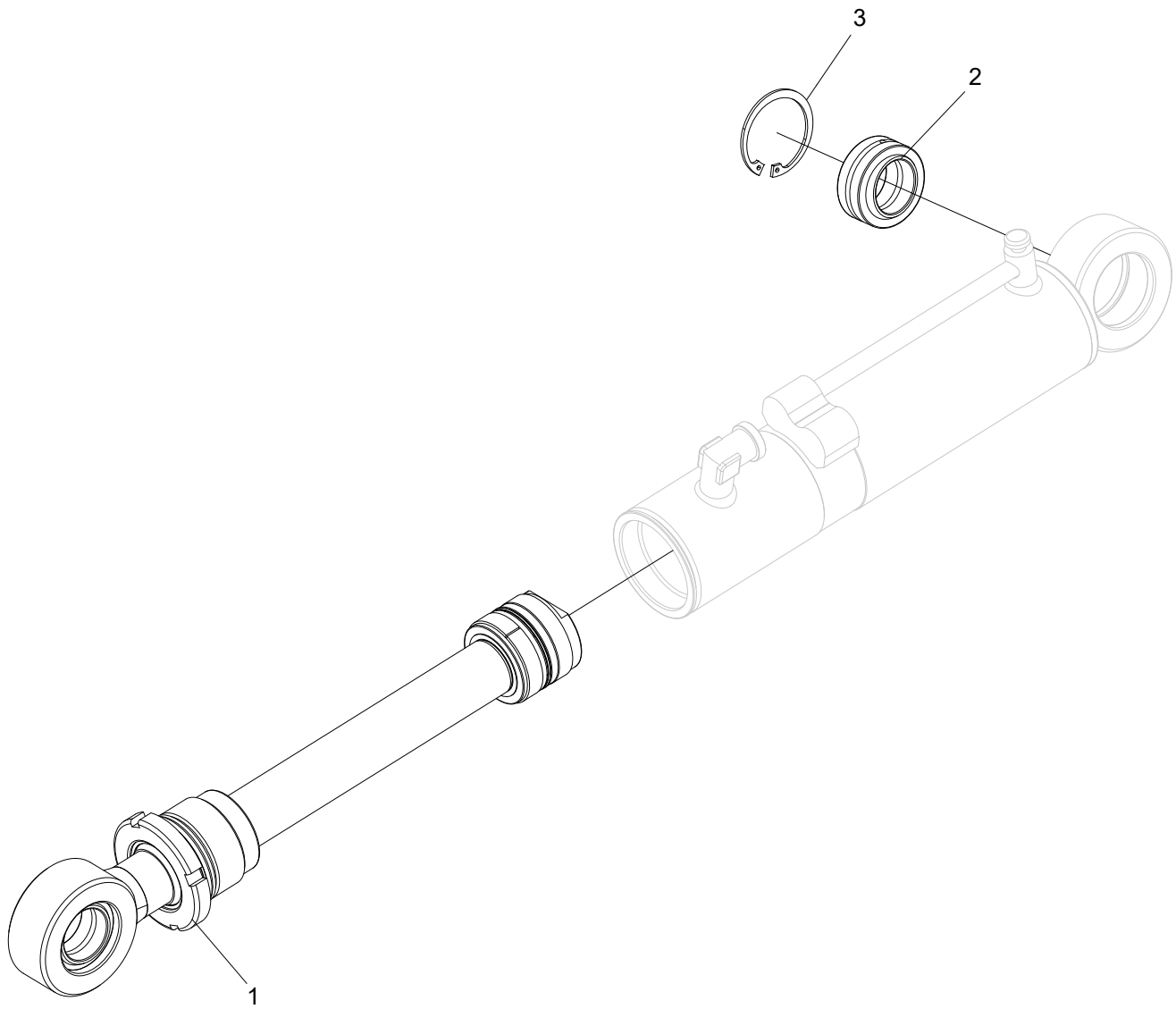
Hydraulic cylinder

Structure 019003				
Pos.	Part no.	Quantity	Description	Specification
1	10000242	1	Rod kit	
2	10000240	1	Spherical bushing	GE25LO
3	517236	1	Circlip	SGH 42



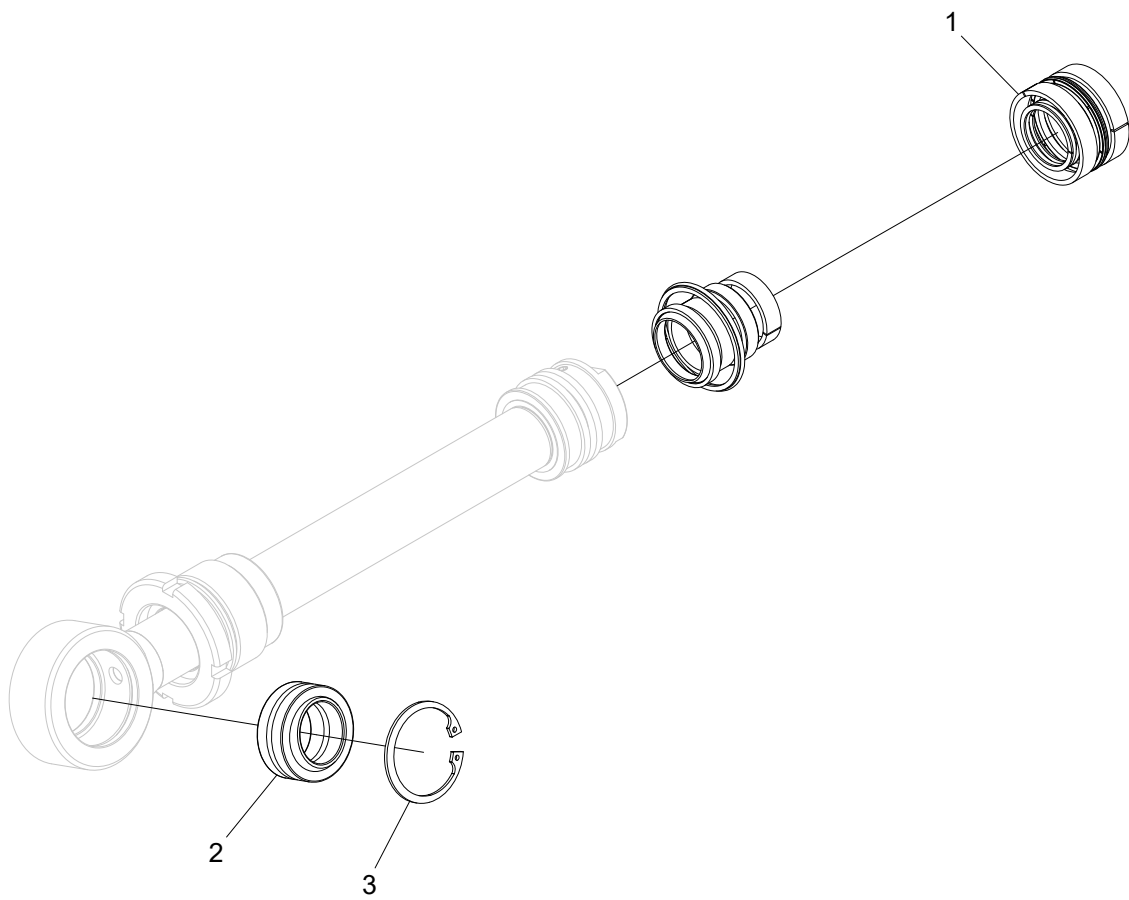
Rod kit

Structure 10000242				
Pos.	Part no.	Quantity	Description	Specification
1	10000241	1	Seal kit	
2	10000240	1	Spherical bushing	GE25LO
3	517236	1	Circlip	SGH 42



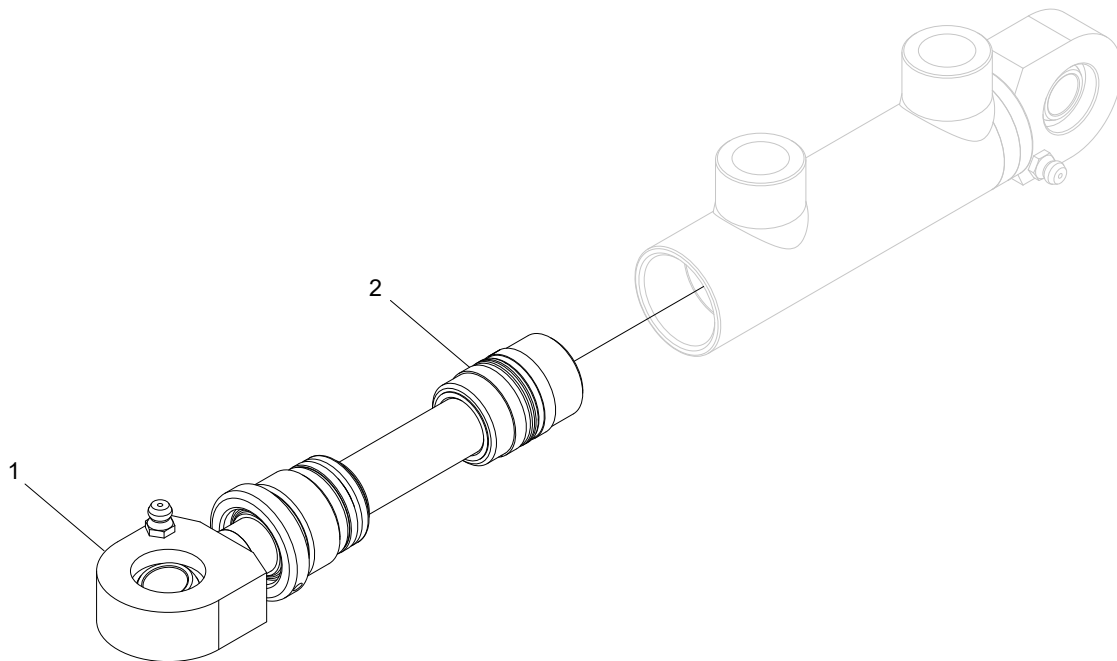
Hydraulic cylinder

Structure 018995				
Pos.	Part no.	Quantity	Description	Specification
1	10000261	1	Rod kit	
2	510008	1	Spherical bushing	GE30-ES
3	517240	1	Circlip	SGH 47



Rod kit

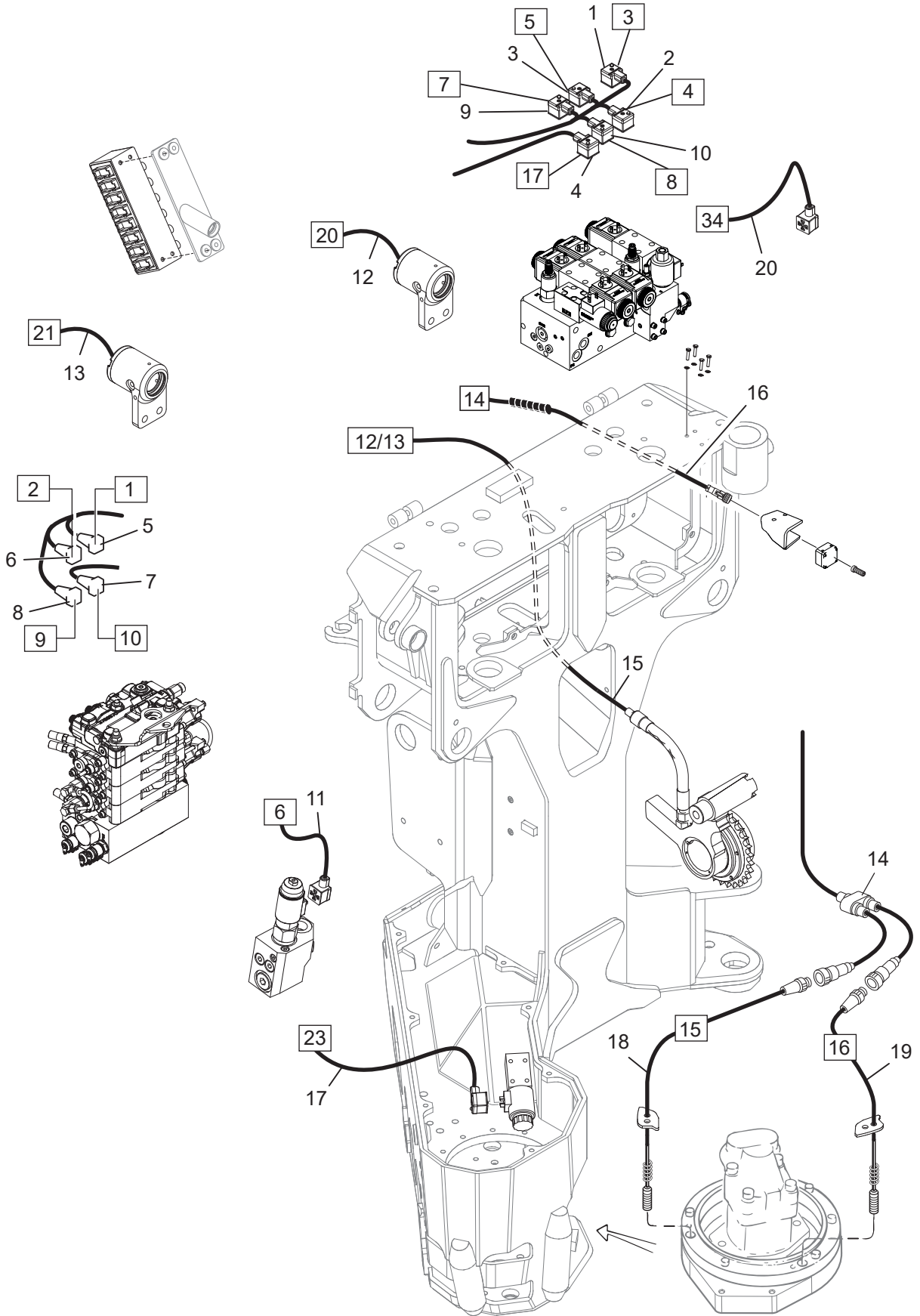
Structure 10000261				
Pos.	Part no.	Quantity	Description	Specification
1	10000241	1	Seal kit	
2	510008	1	Spherical bushing	GE30-ES
3	517240	1	Circlip	SGH 47



Hydraulic cylinder

Structure 018870				
Pos.	Part no.	Quantity	Description	Specification
1	10000366	1	Tie rod kit	
2	620004	1	Seal kit	

10. Control system



08 /
047

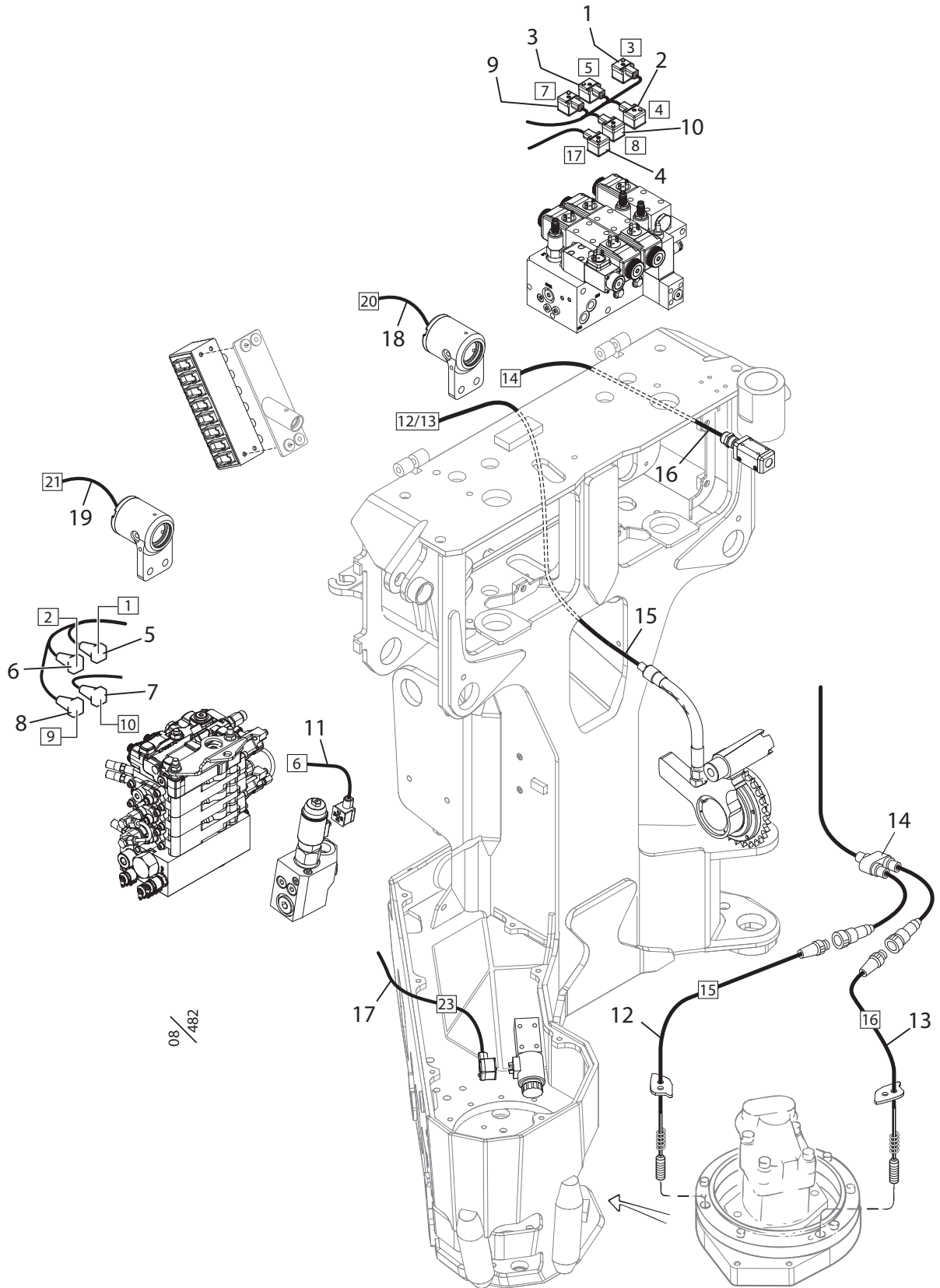
Log Max 5000D - Log Mate 510

Log Mate 510 #2

Structure 035125-2-KABE				
Pos.	Part no.	Quantity	Description	Specification
1	401232	1	Cable	"3"
2	401232	1	Cable	"4"
3	401232	1	Cable	"5"
4	401232	1	Cable	"17"
5	401296	1	Cable	"1"
6	401296	1	Cable	"2"
7	401296	1	Cable	"10"
8	401296	1	Cable	"9"
9	401232	1	Cable	"7"
10	401232	1	Cable	"8"
11	401232	1	Cable	"6"
12	402571	1	Cable	"20"
13	402571	1	Cable	"21"
14	017324	1	Cable	
15	402580	1	Cable	"12/13"
16	402551	1	Cable	"14"
17	401232	1	Cable	"23"
18	017283	1	Sensor	"15"
19	017283	1	Sensor	"16"
20	401232	1	Cable	"34"

Dasa Forester #2

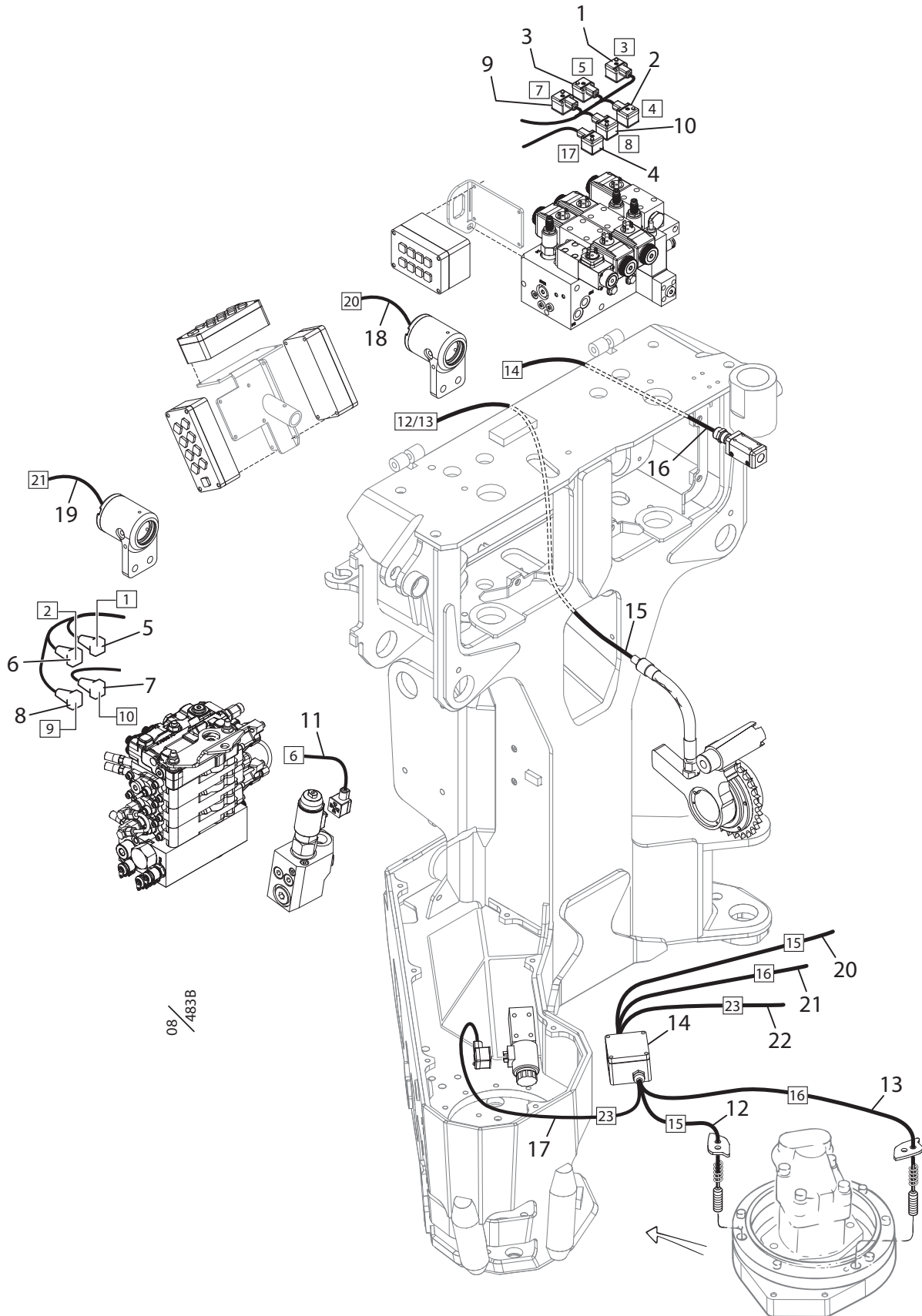
Structure 035127-2-KABE				
Pos.	Part no.	Quantity	Description	Specification
1	401232	1	Cable	"3"
2	401232	1	Cable	"4"
3	401232	1	Cable	"5"
4	401232	1	Cable	"17"
5	401296	1	Cable	"1"
6	401296	1	Cable	"2"
7	401296	1	Cable	"10"
8	401296	1	Cable	"9"
9	401232	1	Cable	"7"
10	401232	1	Cable	"8"
11	401232	1	Cable	"6"
12	402573	1	Cable	"20"
13	402573	1	Cable	"21"
14	017324	1	Cable	
15	402580	1	Cable	"12/13"
16	402554	1	Cable	"14"
17	401232	1	Cable	"23"
18	017283	1	Sensor	"15"
19	017283	1	Sensor	"16"
20	401232	1	Cable	"34"



08/482

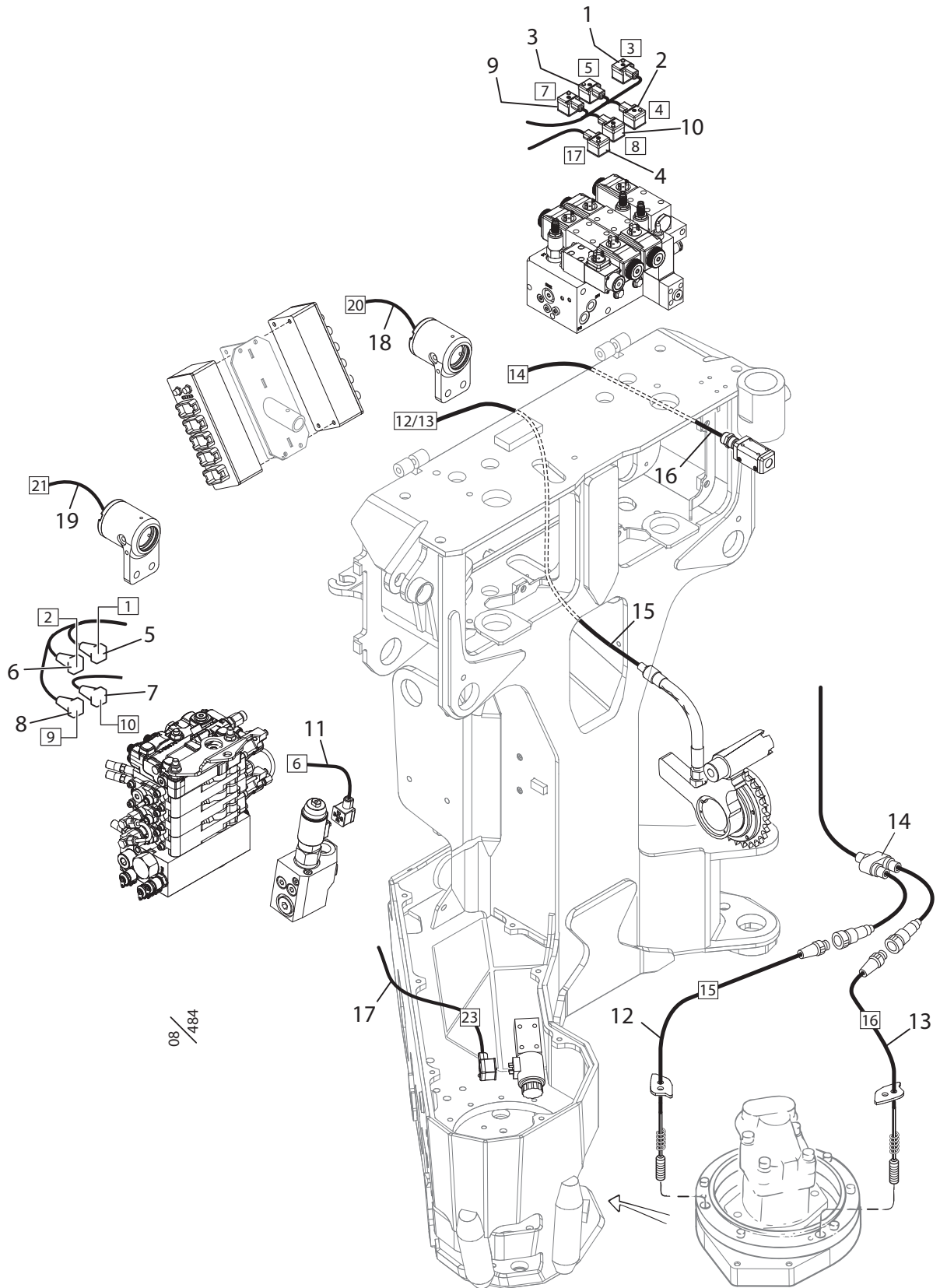
Log Mate 500

Structure 035125-KABEL				
Pos.	Part no.	Quantity	Description	Specification
1	401232	1	Cable	"3"
2	401232	1	Cable	"4"
3	401232	1	Cable	"5"
4	401232	1	Cable	"17"
5	401296	1	Cable	"1"
6	401296	1	Cable	"2"
7	401296	1	Cable	"10"
8	401296	1	Cable	"9"
9	401232	1	Cable	"7"
10	401232	1	Cable	"8"
11	401232	1	Cable	"6"
12	017283	1	Cable	"15"
13	017283	1	Cable	"16"
14	017324	1	Cable	
15	402580	1	Cable	"12/13"
16	401151	1	Sensor compl.	"14"
17	401232	1	Cable	"23"
18	402573	1	Cable	"20"
19	402573	1	Cable	"21"



Dasa 4 & Cabswin

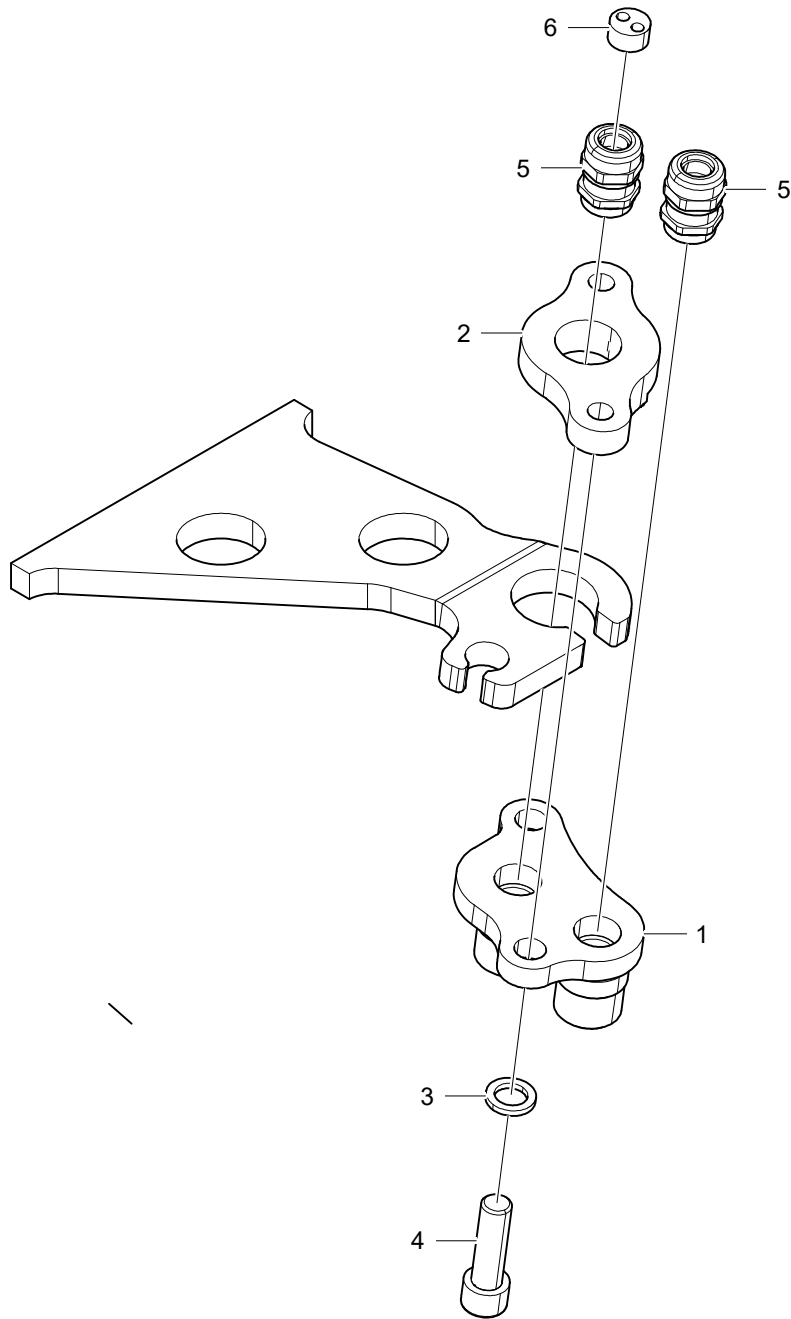
Structure 005527-KABEL				
Pos.	Part no.	Quantity	Description	Specification
1	014157	1	Cable	"3"
2	014158	1	Cable	"4"
3	014159	1	Cable	"5"
4	014300	1	Cable	"17"
5	014298	1	Cable	"1"
6	014299	1	Cable	"2"
7	014174	1	Cable	"10"
8	014173	1	Cable	"9"
9	014160	1	Cable	"7"
10	014161	1	Cable	"8"
11	014301	1	Cable	"6"
12	016279	1	Magnetic sensor	"15"
13	016279	1	Magnetic sensor	"16"
14	402206	1	Connection box	Lower / Nedre
15	401025	1	Cable	"12/13"
16	401151	1	Sensor compl.	"14"
17	401027	1	Cable	"23"
18	401250	1	Cable	"20"
19	401250	1	Cable	"21"
20	671174	1	Cable	"15"
21	671175	1	Cable	"16"
22	671176	1	Cable	"23"



08/484

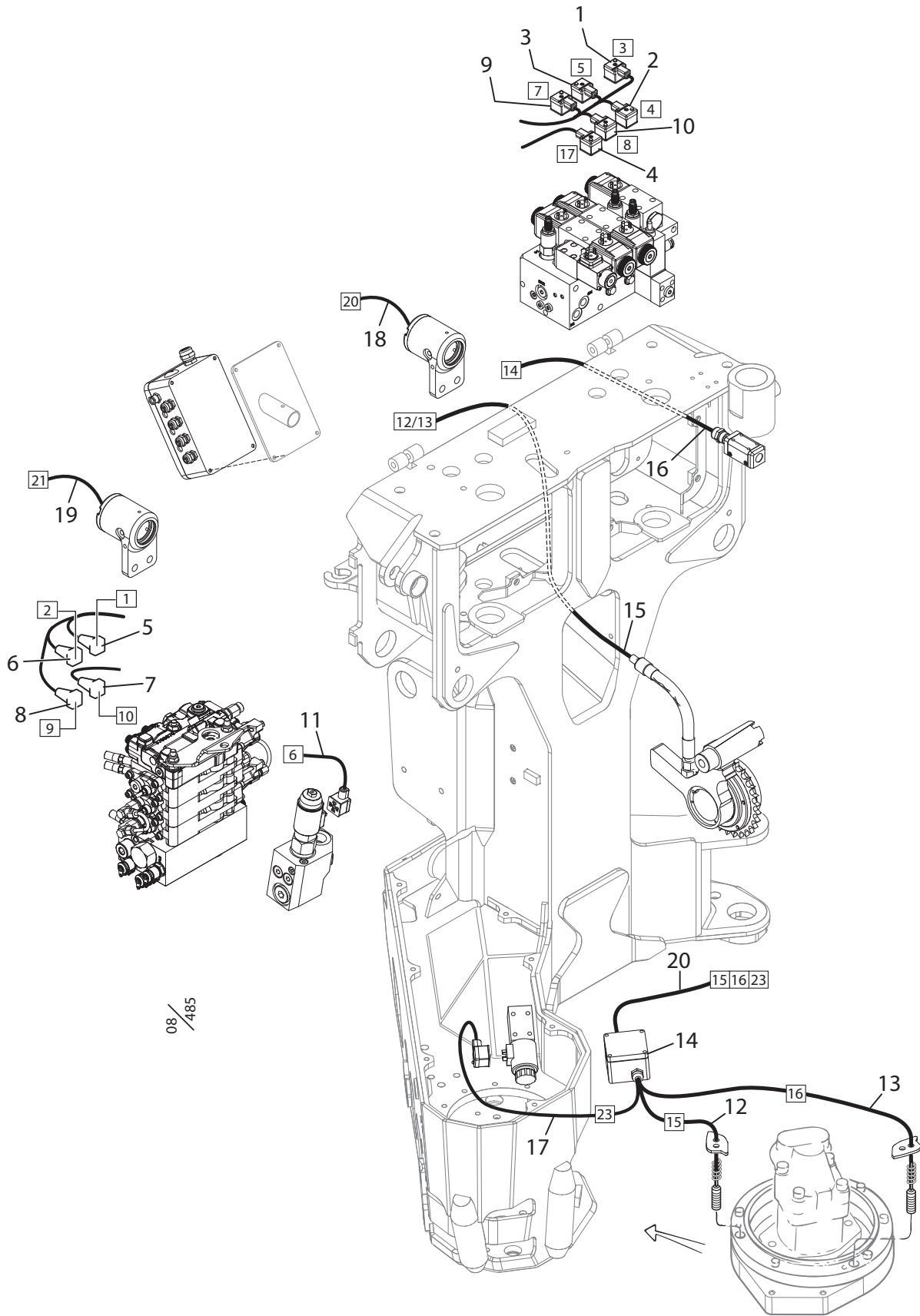
Dasa Forester

Structure 035127-KABEL				
Pos.	Part no.	Quantity	Description	Specification
1	401232	1	Cable	"3"
2	401232	1	Cable	"4"
3	401232	1	Cable	"5"
4	401232	1	Cable	"17"
5	401296	1	Cable	"1"
6	401296	1	Cable	"2"
7	401296	1	Cable	"10"
8	401296	1	Cable	"9"
9	401232	1	Cable	"7"
10	401232	1	Cable	"8"
11	401232	1	Cable	"6"
12	017283	1	Magnetic sensor	"15"
13	017283	1	Magnetic sensor	"16"
14	017324	1	Cable	
15	401025	1	Cable	"12/13"
16	401151	1	Sensor compl.	"14"
17	401232	1	Cable	"23"
18	402573	1	Cable	"20"
19	402573	1	Cable	"21"



Eco Log & Rottne Dasa Forester

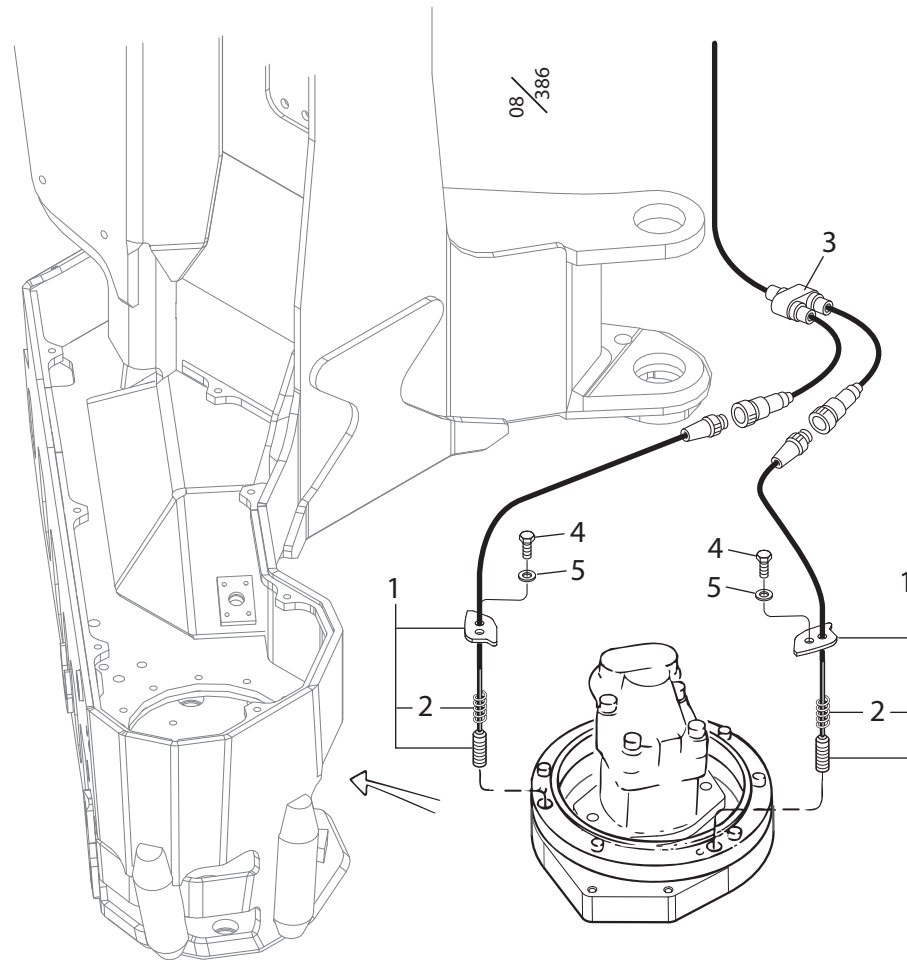
Structure 032250				
Pos.	Part no.	Quantity	Description	Specification
1	018071	1	Plate	
2	018070	1	Plate	
3	503060	2	Washer	M12 Nordlock
4	501111	2	Screw	MC6S M12x40 12.9
5	401152	2	Cable sleeve	M20x1.5
6	401776	1	Cable sealing	M20



08/485

IT/PC & VU

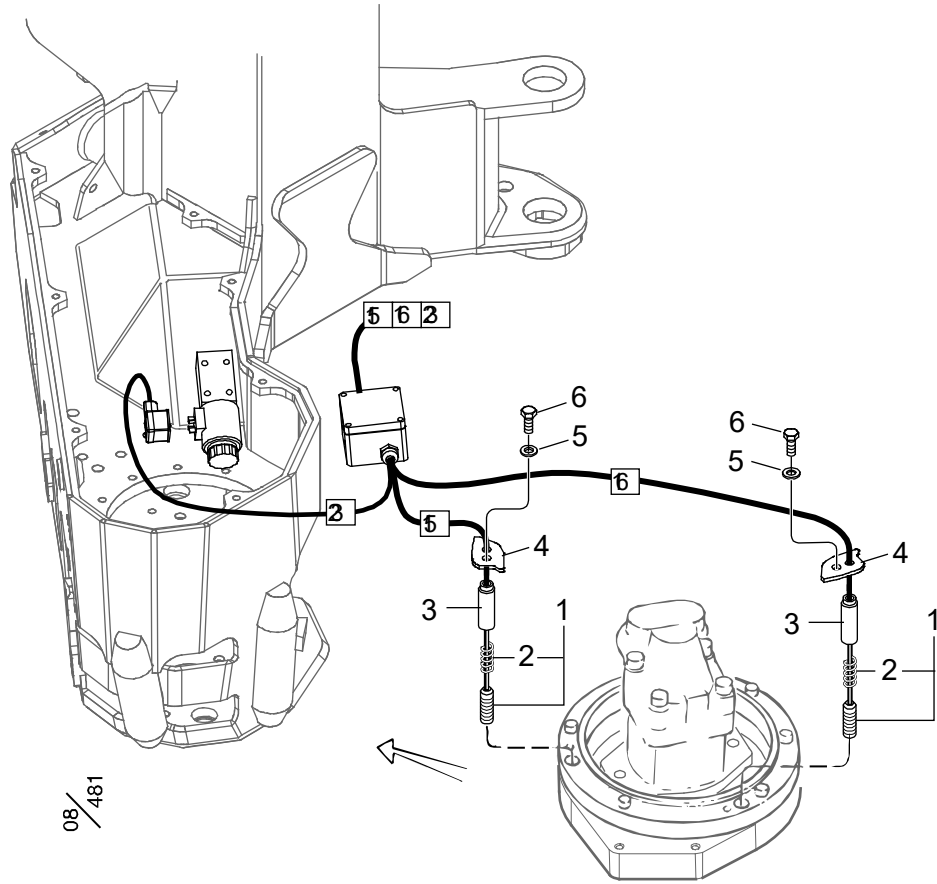
Structure 005535-KABEL				
Pos.	Part no.	Quantity	Description	Specification
1	401232	1	Cable	"3"
2	401232	1	Cable	"4"
3	401232	1	Cable	"5"
4	401232	1	Cable	"17"
5	401296	1	Cable	"1"
6	401296	1	Cable	"2"
7	401296	1	Cable	"10"
8	401296	1	Cable	"9"
9	401232	1	Cable	"7"
10	401232	1	Cable	"8"
11	401232	1	Cable	"6"
12	016279	1	Magnetic sensor	"15"
13	016279	1	Magnetic sensor	"16"
14	402203	1	Connection box	Lower / Nedre
15	401025	1	Cable	"12/13"
16	401151	1	Sensor compl.	"14"
	013007	1	Magnetic sensor	Only / Endast IT/PC
17	401232	1	Cable	"23"
18	401250	1	Cable	"20"
19	401250	1	Cable	"21"
20	401073	1	Cable	"15", "16", "23"



Log Max 4000B/ 5000D/ 6000B/ 6000Twin/ 7000C/ 7000Twin/ E6

Electrical system, saw unit 98, LM500, Dasa Forester

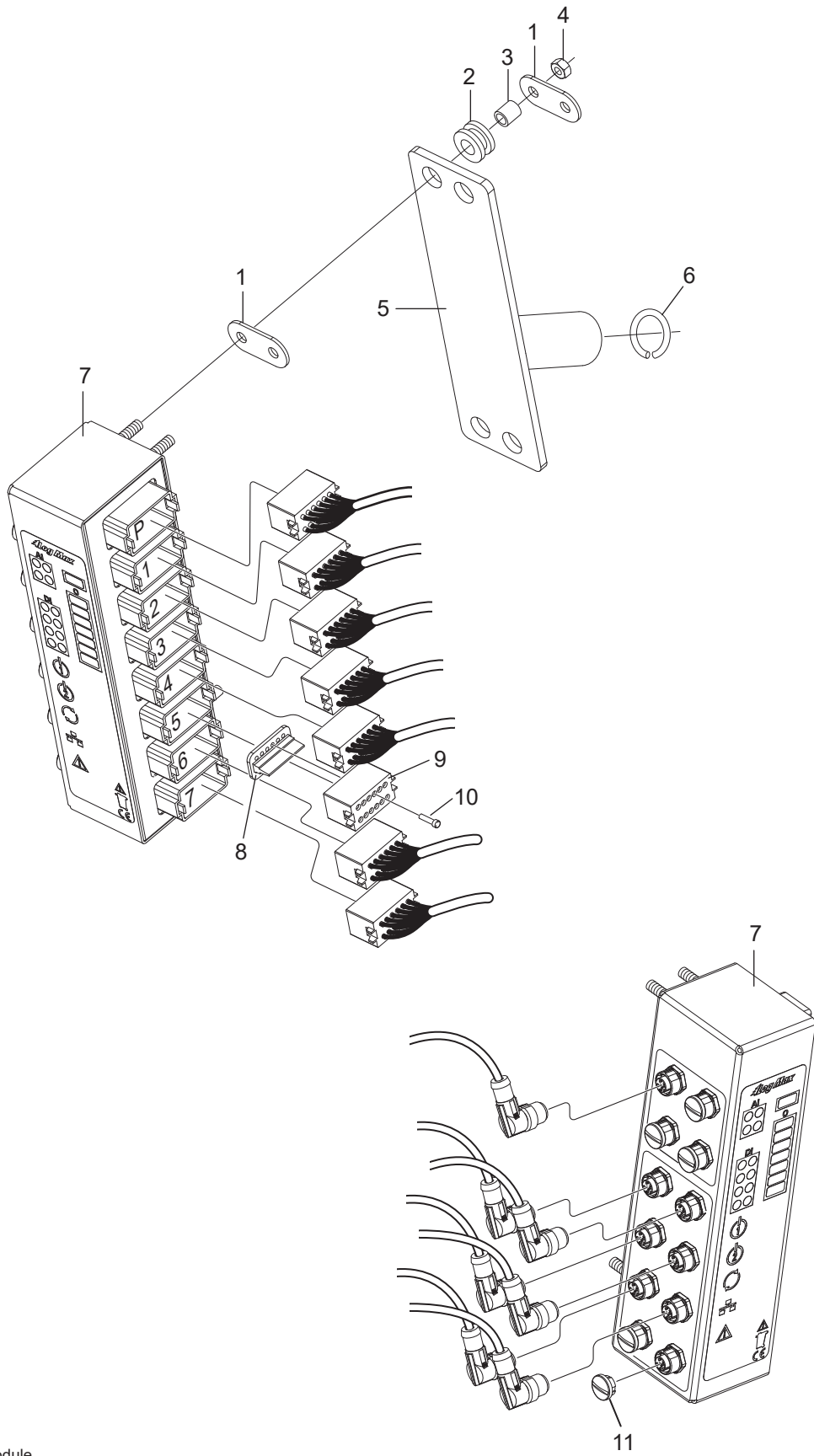
Structure 005532D				
Pos.	Part no.	Quantity	Description	Specification
1	017283	2	Magnetic sensor	
2	526030	2	Spring	
3	017324	1	Cable	
4	501043	2	Screw	MC6S M6x12 12.9
5	503065	2	Washer	M6 Nordlock



Log Max - El Sågenhet 98 - Dasa 4/Cabswin 5000D

Electrical system, saw unit 98, Dasa4/Cabswin & IT/PC, VU

Structure				
Pos.	Part no.	Quantity	Description	Specification
1	016279	2	Magnetic sensor	
2	526015	2	Spring	
3	016317	2	Sleeve	
4	016531	2	Plate	
5	503065	2	Washer	M6 Nordlock
6	501043	2	Screw	MC6S M6x12 12.9

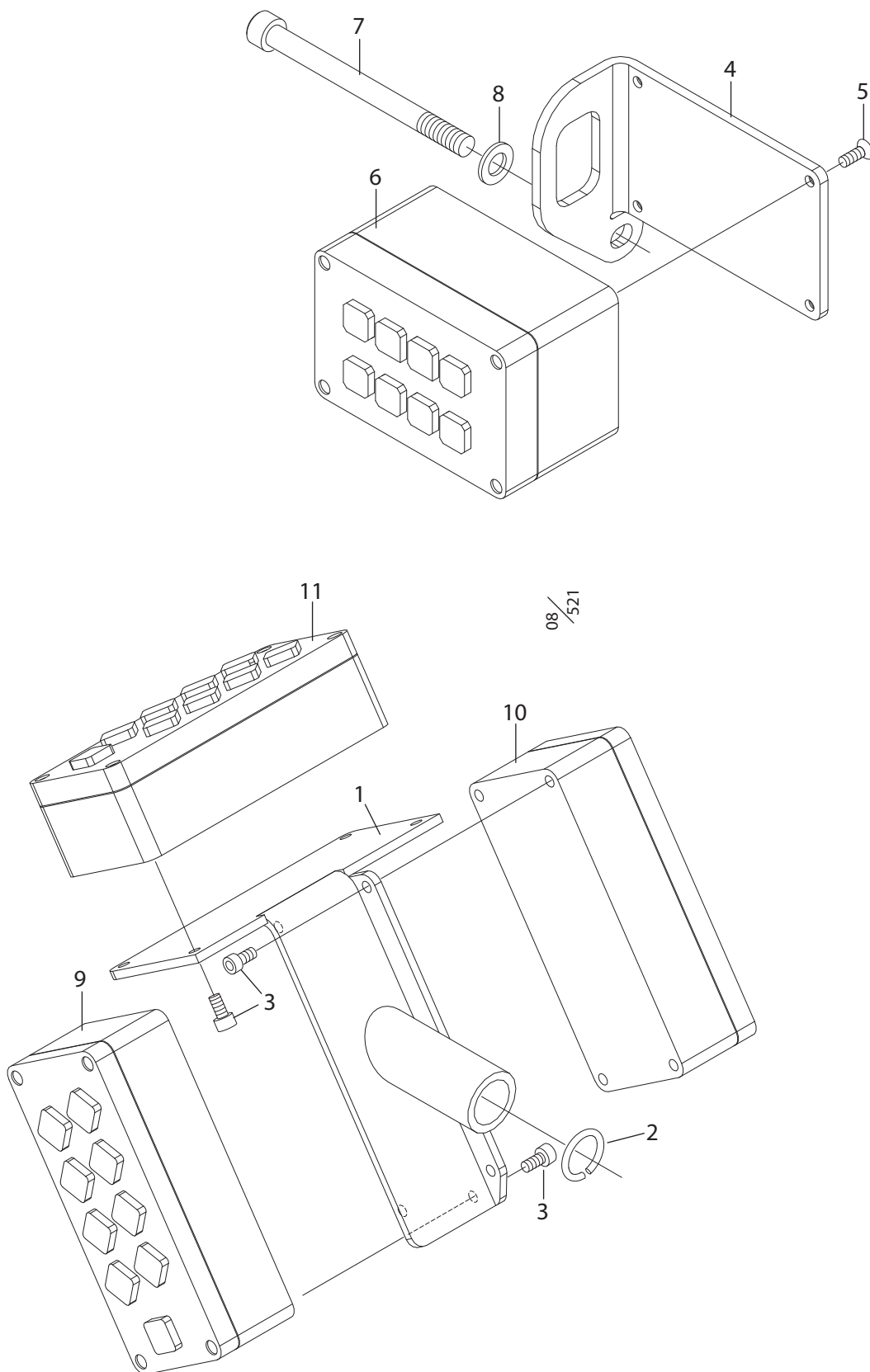


08 /
026

Log Mate 510 Head Module

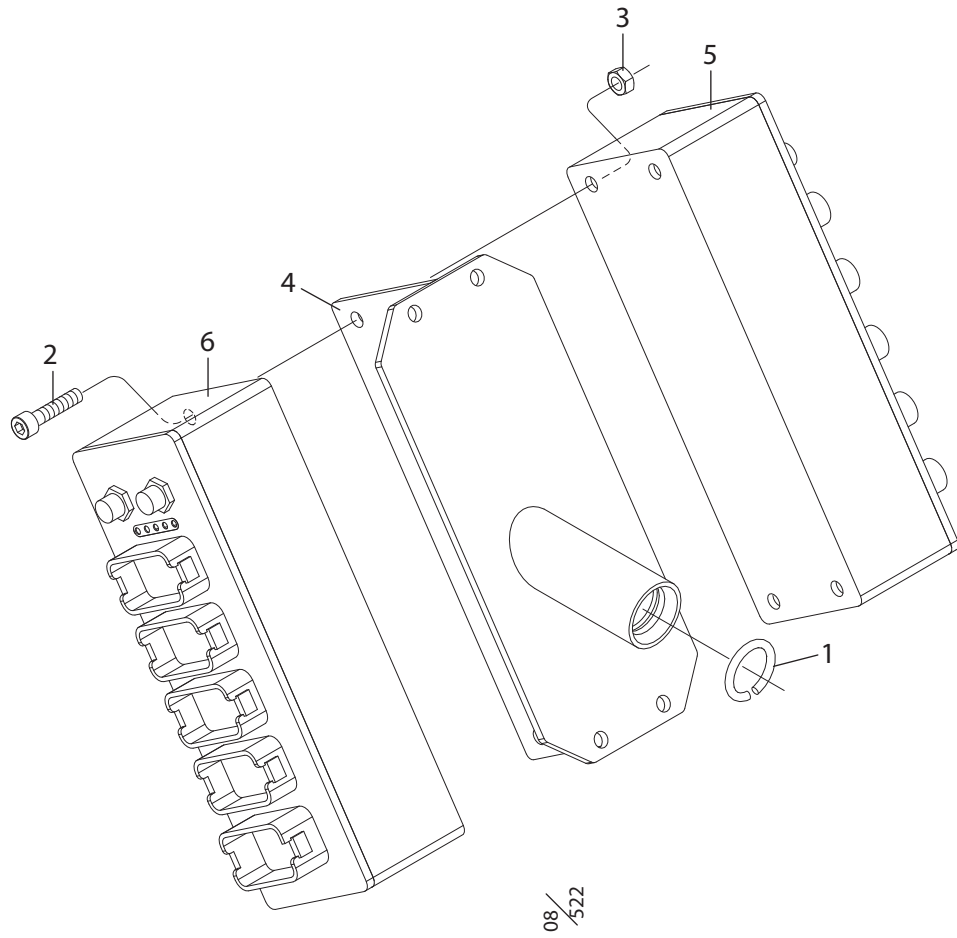
Faster Log Mate 510

Structure				
Pos.	Part no.	Quantity	Description	Specification
1	016852	4	Washer	
2	402059	4	Rubber bushing	
3	402585	4	Spacer	6x10 – 9
4	502053	4	Nut	M6 Locking FZB
5	016854	1	Bracket	
6	517004	1	Circlip	
7	402610	1	Term box	
8	402086	Req / Erf	Wedge	DT06 12 – POL
9	402080	Req / Erf	Connector	DT06 – 12SBCE05
10	402077	Req / Erf	Plug	White / Vit
11	401310	Req / Erf	Cover	M12 Female / Hona



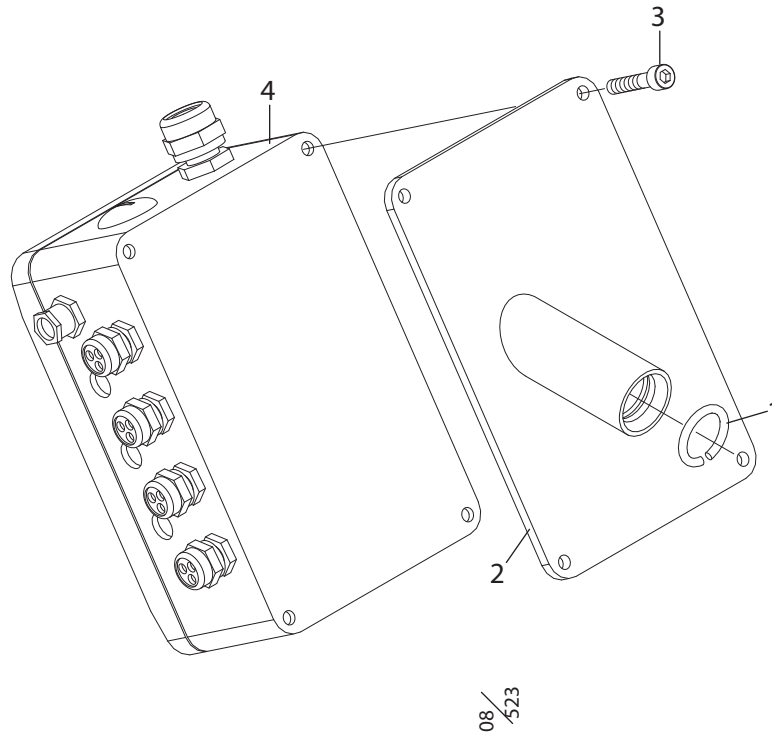
Dasa 4 & Cabswin

Structure 033543, 033545				
Pos.	Part no.	Quantity	Description	Specification
1	014363	1	Bracket	
2	517004	1	Lock ring	
3	501045	10	Screw	MC6S M5x1612.9
4	014250	1	Bracket	
5	504019	4	Screw	MF6S M5x16 10.9
6	7032410	1	Box yellow	D4CU
7	501104	1	Screw	MC6S M10x140 12.9
8	503057	1	Washer	M10 Nordlock
9	7009847	1	Box red	D4I8
10	7009845	1	Box blue	D408D
11	7009846	1	Box green	D408A



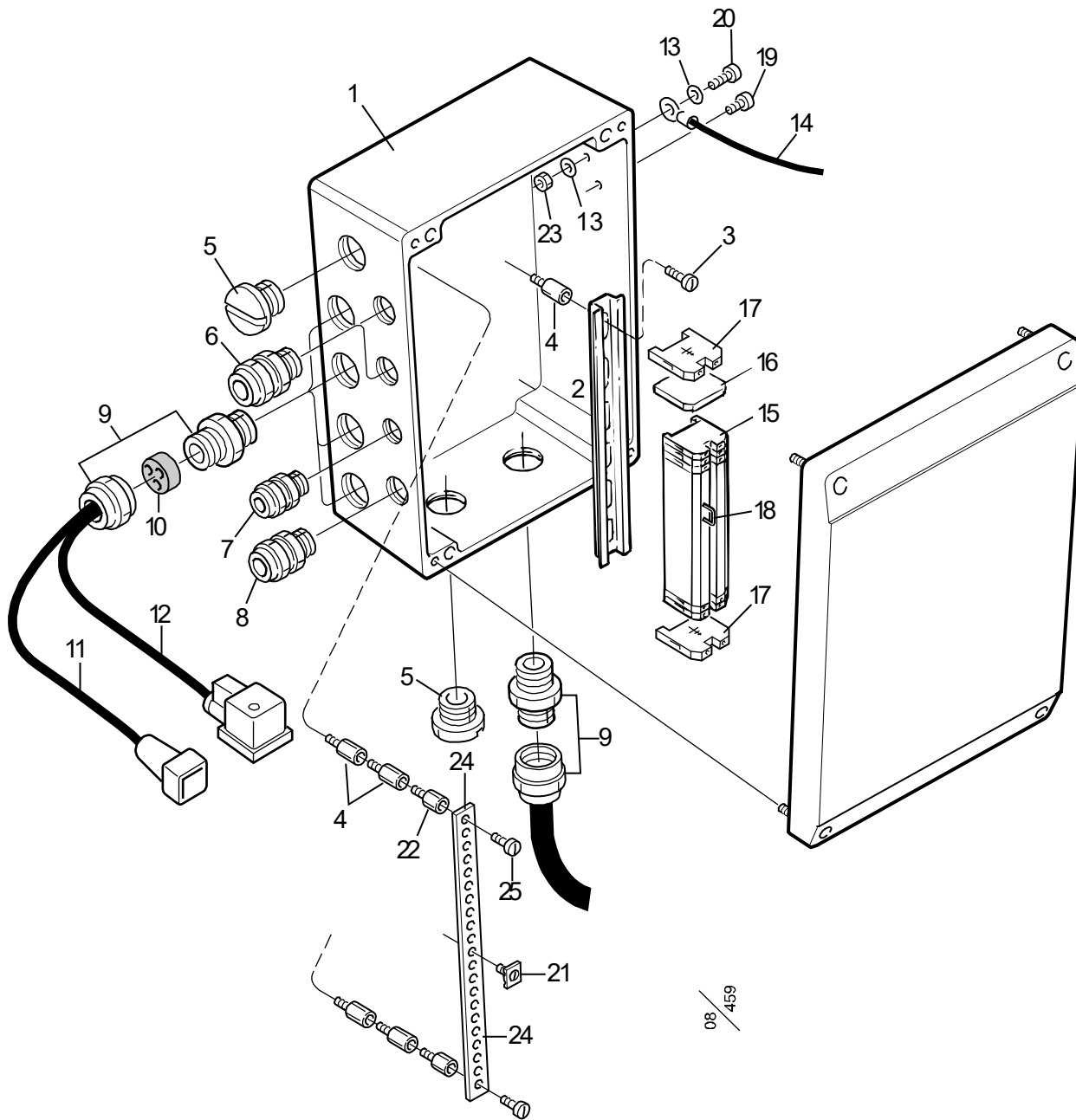
Dasa Forester

Structure 035127				
Pos.	Part no.	Quantity	Description	Specification
1	517004	1	Lock ring	
2	501049	4	Screw	MC6S M6x30 12.9
3	502053	4	Nut	M6 Locking FZB
4	017555	1	Bracket	
5	7037701-R	1	Input box	Red / Röd
6	7037700-R	1	Output box	Green / Grön



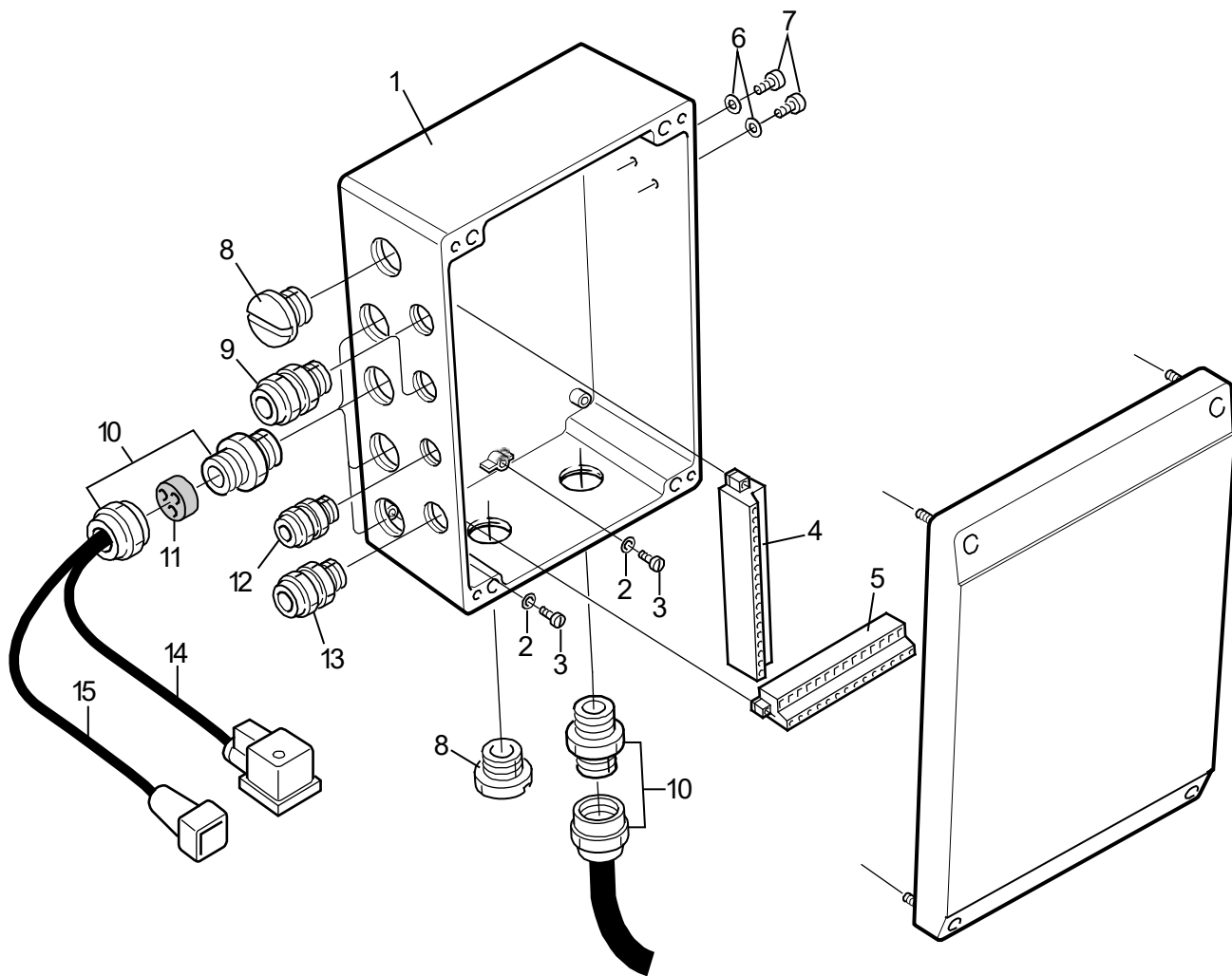
IT/PC & VU

Structure 033544, 033579				
Pos.	Part no.	Quantity	Description	Specification
1	517004	1	Lock ring	
2	014360	1	Bracket	
3	501015	4	Screw	MC6S M4x16 12.9
4	402205	1	Term. box	



Connection box VU

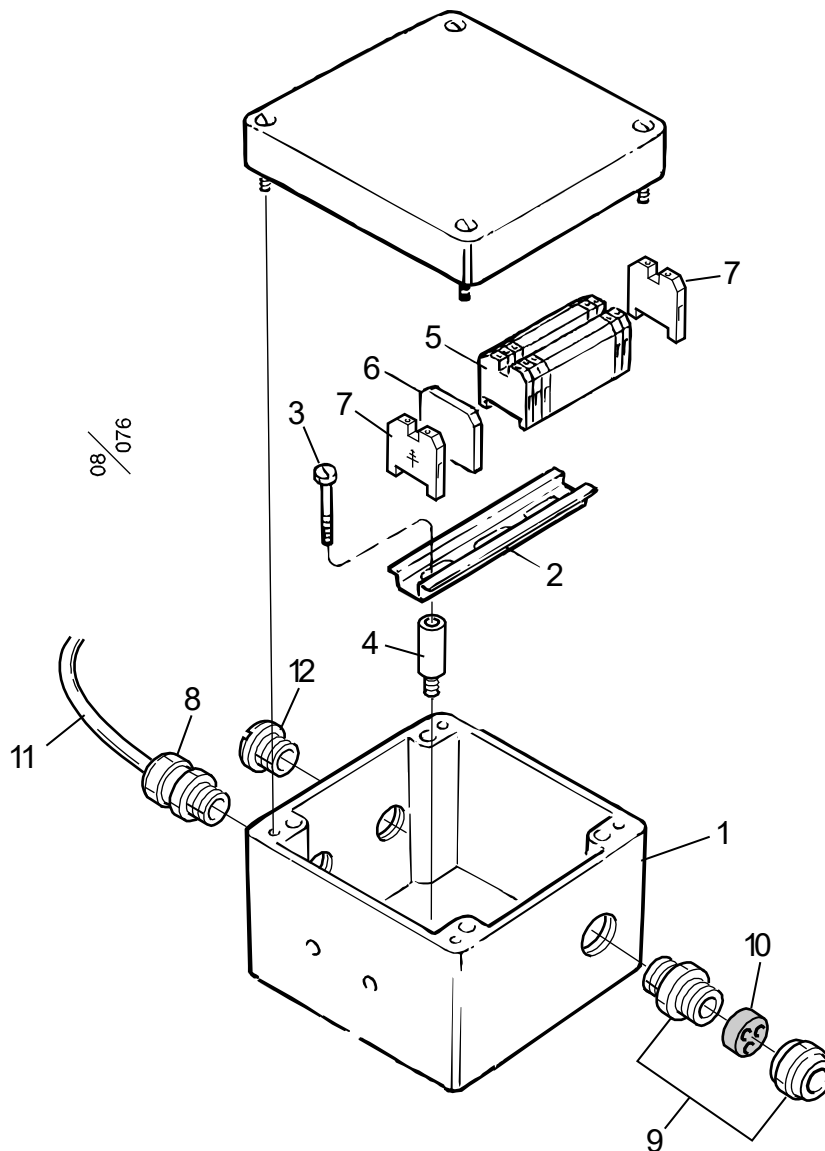
Structure 033548				
Pos.	Part no.	Quantity	Description	Specification
1	402205	1	Term. box	
	013207	1	Terminal cmpl	
2	401054	1	Rail	TS15 L=200 mm
3	500513	2	Screw	MCS 4x5
4	402014	6	Spacer	M4x15
5	401071	2	Plug	PG 16
6	401060	2	Cable sleeve	PG 7
	401282	2	Reducer	PG11 – PG 7
7	401060	1	Cable sleeve	PG 7
8	401093	1	Cable sleeve	PG 9
9	401157	5	Cable sleeve	PG 16
10	401096	4	Cable sealing	PG 16 3x6 mm
11	401296	4	Cable with connector	L-90
12	401232	7	Cable with connector	1.5 m
13	503003	2	Washer	BRB FZB 5.3x10x1.0
14	012605	1	Ground wire	
15	401051	26	Terminal	AKZ 2.5
16	401052	1	End cover	AKZ 2.5
17	401101	4	Ground connector	Yellow – Green / Gul – Grön
18	401058	1	Jumper	AKZ 4
19	500530	1	Screw	MCS 5x6
20	500532	2	Screw	MCS 5x10
21	401254	7	Ground connection	
22	402013	2	Spacer	M4x5
23	502003	1	Nut	M6M M5
24	401253	1	Rail	Cu 12x3
25	500560	2	Screw	MCS 4x8



08 / 458

Terminal box IT/PC

Structure 033544				
Pos.	Part no.	Quantity	Description	Specification
1	402205	1	Term. box	
2	503002	4	Washer	BRB FZB 4.3x9.0x0.8
3	500513	4	Screw	MCS 4x5
4	401519	2	Terminal	MSTB-F 18-pin / 18-pol
5	401518	1	Terminal	MSTB-F 16-pin / 16-pol
6	503003	2	Washer	BRB FZB 5.3x10x1.0
7	500530	2	Screw	MCS 5x6
8	401071	2	Plug	PG 16
9	401060	2	Cable sleeve	PG 7
	401282	2	Reducer	PG11 – PG 7
10	401157	5	Cable sleeve	PG 16
11	401096	4	Cable sealing	PG 16 3x6 mm
12	401060	1	Cable sleeve	PG 7
13	401093	1	Cable sleeve	PG 9
14	401232	7	Cable with connector	1.5 m
15	401296	4	Cable with connector	L-90



Lower connection box

Structure 033544, 033554				
Pos.	Part no.	Quantity	Description	Specification
1	402203	1	Term. box	IT/PC & VU
1	402206	1	Term. box	Dasa4 / Cabswin
2	401054	1	Rail	L=80 mm TS 15
3	500513	2	Screw	MCS 4x5
4	402013	2	Screw	M4x5
5	401051	9	Terminal	AKZ 2.5
6	401052	1	End cover	AKZ 2.5
7	401101	2	Ground connector	Yellow – Green / Gul – Grön
8	401770	1	Cable sleeve	PG 9
9	401157	1	Cable sleeve	PG 16 MS 16
10	401096	1	Cable sealing	PG 16 3x6 mm
11	401073	1	Cable	12-part / led., L=3.6 m
12	401071	1	Plug	PG 16

11. Hose kits

Hose kit 5

General Hose Kit

From Head no. 150447

Language en

Part No. 643000/150447

V. 241029

Crimp. = Crimp diameter | cyl. = cylinder | Ex. = External | L. = Left | Lo. = Lower | Mani. = Manifold
 Meas. Wheel = Measuring Wheel | No. = number | Pres. Rating = Pressure Rating | Red. = Reducer | R. = Right
 SBR = Saw Bar Rescue | Str. = Straight | Stump treatm. = Stump treatment | Tot. = Total | U. = Upper | WEOPi = WEO Plug-In

Hose no.	Connections		Fittings		Ferrules	Length	Hose type			Note		
	Connection 1	Connection 2	Fitting 1	Fitting 2			Part no.	Total	Size		Hose type	
											Part no.	Standard
615049	Hose guard					400 mm	3/4"					
	Felling link											
615051	Hose guard					600 mm	2"					
	R. Roller motor											
615051	Hose guard					600 mm	2"					
	L. Roller motor											
615047	Protective hose 10x6,7					260 mm	10x6,7					
	Upper knife sensor											
643041	Air bleed oil tank		BSP -04 Banjo		601149	491 mm	1/4"	615071				
			BSP -04 Str. Ex.		601159	440 mm	450 bar	EN 857 2SC				
643042	L. Manifold B2		BSP -04 90		601170	1106 mm	1/4"	615071				
	Lo. knife B		BSP -04 Str.		601150	1070 mm	450 bar	EN 857 2SC				
643043	L. Manifold A2		BSP -04 90		601170	1066 mm	1/4"	615071				
	Lo. knife A		BSP -04 Str.		601150	1030 mm	450 bar	EN 857 2SC				
643044	R. Manifold S4 A		BSP -04 90		601170	794 mm	1/4"	615071	180°			
	R. Knife cyl. A		BSP -04 Banjo		601149	750 mm	450 bar	EN 857 2SC				
643045	R. Manifold S4 B		BSP -04 Str.		601150	345 mm	1/4"	615071				
	R. Knife cyl. B		BSP -04 Banjo		601149	300 mm	450 bar	EN 857 2SC				
643046	R. Manifold S4 B		BSP -04 90		601170	404 mm	1/4"	615071	180°			
	L. Knife cyl. B		BSP -04 Banjo		601149	360 mm	450 bar	EN 857 2SC				
643047	R. Manifold S4 A		BSP -04 Str.		601150	455 mm	1/4"	615071				
	L. Knife cyl. A		BSP -04 Banjo		601149	410 mm	450 bar	EN 857 2SC				

Hose kit 5

General Hose Kit

From Head no. 150447

Language en

Part No. 643000/150447

V. 241029

Crimp. = Crimp diameter | cyl. = cylinder | Ex. = External | L. = Left | Lo. = Lower | Mani. = Manifold
 Meas. Wheel = Measuring Wheel | No. = number | Pres. Rating = Pressure Rating | Red. = Reducer | R. = Right
 SBR = Saw Bar Rescue | Str. = Straight | Stump treatm. = Stump treatment | Tot. = Total | U. = Upper | WEOPi = WEO Plug-In

Hose no.	Connections		Fittings		Ferrules	Length	Hose type			Note	
	Connection 1	Connection 2	Fitting 1	Part no.			Total	Size	Part no.		Standard
			Fitting 2								
643050	L. Manifold A42	L. Manifold A42	BSP -04 90	601170	601125	756 mm	1/4"	615071			
			Cut								
643051	L. Manifold B43	L. Manifold B43	BSP -04 Str.	601150	601125	720 mm	450 bar	EN 857 2SC			
			Cut								
643052	L. Manifold B41	L. Manifold B41	BSP -04 90	601170	601125	884 mm	1/4"	615071	180°		
			Cut								
643053	L. Manifold A43	L. Manifold A43	BSP -04 Banjo	601149	601125	840 mm	450 bar	EN 857 2SC			
			Cut								
643054	L. Manifold A33	L. Manifold A33	BSP -04 Str.	601150	601125	1086 mm	1/4"	615071			
			Cut								
643055	Felling link cyl. A	Felling link cyl. A	BSP -04 90	601170	601125	1050 mm	450 bar	EN 857 2SC			
			Cut								
643064	L. Manifold SM	L. Manifold SM	BSP -04 90	601170	601125	1066 mm	1/4"	615071			
			Cut								
643065	L. Manifold P2	L. Manifold P2	BSP -04 Str.	601150	601125	1030 mm	450 bar	EN 857 2SC			
			Cut								
643153	L. Manifold S1 PM2	L. Manifold S1 PM2	BSP -04 90	601170	601125	1076 mm	1/4"	615071			
			Cut								
643154	L. Manifold A51	L. Manifold A51	BSP -04 90	601170	601125	1040 mm	450 bar	EN 857 2SC			
			Cut								
643033	R. Manifold S1 DR1	R. Manifold S1 DR1	BSP -04 Str.	601150	601125	186 mm	1/4"	615071	180°		
			Cut								
643033	R. Manifold S1 DR1	R. Manifold S1 DR1	BSP -06 90	601534	601125	150 mm	450 bar	EN 857 2SC			
			Cut								
643033	R. Manifold S1 DR1	R. Manifold S1 DR1	BSP -06 Banjo	601148	601125	804 mm	1/4"	615071	180°		
			Cut								
643033	R. Manifold S1 DR1	R. Manifold S1 DR1	BSP -06 Banjo	601148	601125	760 mm	450 bar	EN 857 2SC			
			Cut								
643033	R. Manifold S1 DR1	R. Manifold S1 DR1	BSP -06 Banjo	601148	601125	190 mm	1/4"	615071	345°		
			Cut								
643033	R. Manifold S1 DR1	R. Manifold S1 DR1	BSP -06 Banjo	601148	601125	140 mm	450 bar	EN 857 2SC			
			Cut								
643033	R. Manifold S1 DR1	R. Manifold S1 DR1	BSP -06 Banjo	601148	601125	498 mm	3/8"	615071	180°		
			Cut								
643033	R. Manifold S1 DR1	R. Manifold S1 DR1	BSP -06 Banjo	601148	601125	450 mm	385 bar	EN 857 2SC			
			Cut								

Hose kit 5

General Hose Kit

From Head no. 150447

Language en

Part No. 643000/150447

V. 241029

Crimp. = Crimp diameter | cyl. = cylinder | Ex. = External | L. = Left | Lo. = Lower | Mani. = Manifold
 Meas. Wheel = Measuring Wheel | No. = number | Pres. Rating = Pressure Rating | Red. = Reducer | R. = Right
 SBR = Saw Bar Rescue | Str. = Straight | Stump treatm. = Stump treatment | Tot. = Total | U. = Upper | WEOPI = WEO Plug-In

Hose no.	Connections		Fittings		Ferrules	Length	Hose type			Note	
	Connection 1	Connection 2	Fitting 1	Part no.			Total	Size	Part no.		Standard
			Fitting 2								
643036	R. Manifold S1 DR2		BSP -06 45	601176	601121	916 mm	3/8"	615072	615072	180°	
	L. Roller motor 1		BSP -06 Banjo	601148	601121	850 mm	385 bar	EN 857 2SC			
643058	Meas. Wheel Arm		BSP -06 Str.	601151	601121	400 mm	3/8"	615072			
	Bracket		BSP -06 Str.	601151	601121	400 mm	385 bar	EN 857 2SC			
643155	Accumulator		BSP -06 Str.	601151	601121	445 mm	3/8"	615072			
	Meas. Wheel cyl. B		BSP -06 Str.	601151	601121	400 mm	385 bar	EN 857 2SC			
643156	Meas. Wheel cyl. A		BSP -06 Str.	601151	601121	675 mm	3/8"	615072			
	L. Manifold B5		BSP -04 Banjo	601136	601121	620 mm	385 bar	EN 857 2SC			
643157	L. Manifold DR		BSP -06 Str.	601151	601121	320 mm	3/8"	615072			
	R. Manifold S1 DR2		BSP -06 45	601176	601121	250 mm	385 bar	EN 857 2SC			
643158	L. Manifold B42		BSP -06 Banjo	601148	601121	295 mm	3/8"	615072			
	Accumulator		BSP -06 90	601171	601121	240 mm	385 bar	EN 857 2SC			
643039	R. Manifold S1 PR		BSP -08 Str.	601152	601122	211 mm	1/2"	615073			
	L. Manifold P3		BSP -08 Banjo	601184	601122	160 mm	345 bar	EN 857 2SC			
643084	R. Manifold S1 T3		BSP -08 Str.	601152	601122	211 mm	1/2"	615073			
	L. Manifold T3		BSP -08 Banjo	601184	601122	160 mm	345 bar	EN 857 2SC			
643063	R. Manifold S1 Psaw		BSP -12 90	601163	601371	632 mm	3/4"	615005			
	Saw motor valve P		BSP -12 Str.	601153	601371	550 mm	375 bar	EN 857 2SC			
643031	R. Manifold S2 A		BSP -08 Str.	601152	601130	591 mm	1/2"	615035			
	R. Roller motor R		BSP -08 Banjo	601184	601130	540 mm	470 bar	EN 857 2SC			
643032	R. Manifold S2 B		BSP -08 Str.	601152	601130	661 mm	1/2"	615035			
	R. Roller motor L		BSP -08 Banjo	601184	601130	610 mm	470 bar	EN 857 2SC			

Hose kit 5
General Hose Kit
From Head no. 150447

Language en
Part No. 643000/150447
V. 241029

Crimp. = Crimp diameter | cyl. = cylinder | Ex. = External | L. = Left | Lo. = Lower | Mani. = Manifold
Meas. Wheel = Measuring Wheel | No. = number | Pres. Rating = Pressure Rating | Red. = Reducer | R. = Right
SBR = Saw Bar Rescue | Str. = Straight | Stump treatm. = Stump treatment | Tot. = Total | U. = Upper | WEOPI = WEO Plug-In

Hose no.	Connections		Fittings		Ferrules Part no.	Length Total Cut	Hose type			Note Hose guard
	Connection 1	Connection 2	Fitting 1	Part no.			Size	Pres. Rating	Part no. Standard	
			Fitting 2							
643034	R. Manifold S3 A		BSP -08 Str.	601152	601130	1001 mm	1/2"	615035		
	L. Rollier motor L		BSP -08 Banjo	601184	601130	950 mm	470 bar	EN 857 2SC		
643083	R. Manifold S3 B		BSP -08 Str.	601152	601130	1001 mm	1/2"	615035		
	L. Rollier motor R		BSP -08 Banjo	601184	601130	950 mm	470 bar	EN 857 2SC		

Hose kit 5
Multi-stemming Kit
From Head no. 3906

Language **en**
Part No. **643003/3906-**
V. 241029

Crimp. = Crimp diameter | cyl. = cylinder | Ex. = External | L. = Left | Lo. = Lower | Mani. = Manifold
Meas. Wheel = Measuring Wheel | No. = number | Pres. Rating = Pressure Rating | Red. = Reducer | R. = Right
SBR = Saw Bar Rescue | Str. = Straight | Stump treatm. = Stump treatment | Tot. = Total | U. = Upper | WEOPI = WEO Plug-In

Hose no.	Connections		Fittings		Ferrules	Length	Hose type			Note	
	Connection 1	Connection 2	Fitting 1	Fitting 2			Part no.	Total	Size		Part no.
643113	Manifold B		BSP -04 90		601170	601125	164 mm	1/4"	615071	90°	
											R. Cyl. A
643114	Manifold A		BSP -04 90		601170	601125	326 mm	1/4"	615071		
											R. Cyl. B
643115	Manifold B		BSP -04 Str.		601150	601125	405 mm	1/4"	615071		
											L. Cyl. A
643116	Manifold A		BSP -04 Str.		601150	601125	597 mm	1/4"	615071		
											L. Cyl. B
643117	Protective hose		BSP -06 Str.		601151	601121	1881 mm	3/8"	615072		
643118	R. Manifold PM3		BSP -06 Banjo		601148	601121	1944 mm	3/8"	615072		
											Manifold P
643119	L. Manifold T5		BSP -06 Str.		601151	601121	2321 mm	3/8"	615072		
											Manifold T

Hose kit 5

SuperCut 100 - 19cc

From Head no. 150373

Language **en**

Part No. **643004/150373**

V. 241029

Crimp. = Crimp diameter | cyl. = cylinder | Ex. = External | L. = Left | Lo. = Lower | Mani. = Manifold
Meas. Wheel = Measuring Wheel | No. = number | Pres. Rating = Pressure Rating | Red. = Reducer | R. = Right
SBR = Saw Bar Rescue | Str. = Straight | Stump treatm. = Stump treatment | Tot. = Total | U. = Upper | WEOPi = WEO Plug-In

Hose no.	Connections		Fittings		Ferrules Part no.	Length Total Cut	Hose type		Note
	Connection 1	Connection 2	Fitting 1	Part no.			Size	Part no.	
			Fitting 2	Standard					
643901	Easy Greasy	Saw motor R	BSP -02 90	601527	601539	305 mm	1/4"	615091	180°
			BSP -02 90	601527	601539	270 mm			
643902	Grease hole frame	Saw motor T	BSP -02 90	601527	601539	185 mm	1/4"	615091	180°
			BSP -02 90	601527	601539	150 mm			
649312	R. Manifold S1 PS1	Saw motor S	BSP -02 90	601527	601539	1695 mm	1/4"	615091	
			BSP -02 90	601527	601539	1660 mm			
643914	Stump treatm. 1	Saw unit	BSP -04 Str.	601150	601125	1387 mm	1/4"	615071	
			BSP -04 Str.	601150	601125	1350 mm	450 bar	EN 857_2SC	
643030	R. Manifold S1 DR4	Saw motor D	BSP -06 90°	601161	601121	1655 mm	3/8"	615072	
			BSP -06 Banjo	601148	601121	1600 mm	385 bar	EN 857_2SC	
643918	L. Manifold A1	Saw bar feed cyl. B	BSP -06 90	601171	601121	1592 mm	3/8"	615072	
			BSP -06 90	601171	601121	1550 mm	385 bar	EN 857_2SC	
643919	L. Manifold B1	Saw bar feed cyl. A	BSP -06 90	601171	601121	1322 mm	3/8"	615072	
			BSP -06 90	601171	601121	1280 mm	385 bar	EN 857_2SC	
643910	R. Manifold S1 T4	Saw motor B	BSP -12 45	601178	601123	1523 mm	3/4"	615074	
			BSP -12 Str.	601153	601123	1430 mm	280 bar	EN 857_2SC	
643909	Saw motor valve SP	Saw motor A	BSP -12 45	601178	601371	435 mm	3/4"	615005	
			BSP -12 Str.	601153	601371	330 mm	375 bar	EN 857_2SC	

Hose kit 5

Multi-stemming Kit with Rotator control

From Head no. 150365

Language en

Part No. 643006/150365

V. 241029

Crimp. = Crimp diameter | cyl. = cylinder | Ex. = External | L. = Left | Lo. = Lower | Mani. = Manifold
 Meas. Wheel = Measuring Wheel | No. = number | Pres. Rating = Pressure Rating | Red. = Reducer | R. = Right
 SBR = Saw Bar Rescue | Str. = Straight | Stump treatm. = Stump treatment | Tot. = Total | U. = Upper | WEOPI = WEO Plug-In

Hose no.	Connections		Fittings		Ferrules	Length	Hose type			Note	
	Connection 1	Connection 2	Fitting 1	Part no.			Total	Size	Part no.		Note
			Fitting 2								
643021	Protective hose		BSP -06 Str.	601151	601121	1811 mm	3/8"	615072	Crimp. 22		
	Bracket		BSP -06 Str.	601151	601121	1770 mm	385 bar	EN 857 2SC			
643024	Manifold AA2		BSP -04 Banjo	601149	601125	353 mm	1/4"	615071			
	L. Cyl. A		BSP -04 Banjo	601149	601125	300 mm	450 bar	EN 857 2SC			
643025	Manifold AB2		BSP -04 Banjo	601149	601125	475 mm	1/4"	615071			
	L. Cyl. B		BSP -04 Str.	601150	601125	430 mm	450 bar	EN 857 2SC			
643026	Manifold AA1		BSP -04 90	601170	601125	389 mm	1/4"	615071			
	R. Cyl. A		BSP -04 Banjo	601149	601125	345 mm	450 bar	EN 857 2SC			
643028	Manifold RA		BSP -04 90	601170	601125	234 mm	1/4"	615071	H132		
	Rotator (R)		BSP -04 Banjo	601149	601125	190 mm	450 bar	EN 857 2SC			
643029	Manifold RB		BSP -04 90	601170	601125	274 mm	1/4"	615071	H132		
	Rotator (L)		BSP -04 Banjo	601149	601125	230 mm	450 bar	EN 857 2SC			
643130	R. Manifold S1 PM3		BSP -06 Banjo	601148	601121	1894 mm	3/8"	615072			
	Manifold P		BSP -06 Str.	601151	601121	1850 mm	385 bar	EN 857 2SC			
643132	L. Manifold T5		BSP -06 90	601171	601121	2321 mm	3/8"	615072			
	Manifold T		BSP -06 Str.	601151	601121	2280 mm	385 bar	EN 857 2SC			
643133	Manifold AB1		BSP -04 90	601170	601125	486 mm	1/4"	615071			
	R. Cyl. B		BSP -04 Str.	601150	601125	450 mm	450 bar	EN 857 2SC			

Hose kit 5

SuperCut 100 - 30cc

From Head no. 150373

Language **en**

Part No. **643008/150373**

V. 241029

Crimp. = Crimp diameter | cyl. = cylinder | Ex. = External | L. = Left | Lo. = Lower | Mani. = Manifold
Meas. Wheel = Measuring Wheel | No. = number | Pres. Rating = Pressure Rating | Red. = Reducer | R. = Right
SBR = Saw Bar Rescue | Str. = Straight | Stump treatm. = Stump treatment | Tot. = Total | U. = Upper | WEOPI = WEO Plug-In

Hose no.	Connections		Fittings		Ferrules Part no.	Length Total Cut	Hose type		Note
	Connection 1	Connection 2	Fitting 1	Part no.			Size	Part no.	
			Fitting 2	Standard					
643901	Easy Greasy	Saw motor R	BSP -02 90	601527	601539	305 mm	1/4"	615091	180°
			BSP -02 90	601527	601539	270 mm			
643902	Grease hole frame	Saw motor T	BSP -02 90	601527	601539	185 mm	1/4"	615091	180°
			BSP -02 90	601527	601539	150 mm			
649312	R. Manifold S1 PS1	Saw motor S	BSP -02 90	601527	601539	1695 mm	1/4"	615091	
			BSP -02 90	601527	601539	1660 mm			
643914	Stump treatm. 1	Saw unit	BSP -04 Str.	601150	601125	1387 mm	1/4"	615071	
			BSP -04 Str.	601150	601125	1350 mm	450 bar	EN 857_2SC	
643918	L. Manifold A1	Saw bar feed cyl. B	BSP -06 90	601171	601121	1592 mm	3/8"	615072	
			BSP -06 90	601171	601121	1550 mm	385 bar	EN 857_2SC	
643919	L. Manifold B1	Saw bar feed cyl. A	BSP -06 90	601171	601121	1322 mm	3/8"	615072	
			BSP -06 90	601171	601121	1280 mm	385 bar	EN 857_2SC	
643920	R. Manifold S1 DR4	Saw motor D	BSP -06 90	601171	601121	1552 mm	3/8"	615072	
			BSP -06 90°	601161	601121	1500 mm	385 bar	EN 857_2SC	
643922	R. Manifold S1 T4	Saw motor B	BSP -12 45	601178	601123	1493 mm	3/4"	615074	
			BSP -12 Str.	601153	601123	1400 mm	280 bar	EN 857_2SC	
643921	Saw motor valve SP	Saw motor A	BSP -12 45	601178	601371	393 mm	3/4"	615005	
			BSP -12 Str.	601153	601371	300 mm	375 bar	EN 857_2SC	

Hose kit 5

Swiroll

From Head no. 150417

Language en

Part No. 643009-JJ/417

V. 241029

Crimp. = Crimp diameter | cyl. = cylinder | Ex. = External | L. = Left | Lo. = Lower | Mani. = Manifold
 Meas. Wheel = Measuring Wheel | No. = number | Pres. Rating = Pressure Rating | Red. = Reducer | R. = Right
 SBR = Saw Bar Rescue | Str. = Straight | Stump treatm. = Stump treatment | Tot. = Total | U. = Upper | WEOPi = WEO Plug-In

Hose no.	Connections		Fittings		Ferrules	Length	Hose type			Note	
	Connection 1	Connection 2	Fitting 1	Part no.			Total	Size	Part no.		Standard
			Fitting 2								
643148	Swiroll P		JIC -16 Str.	601186	601142		1"	615084		Marked P	
	R. Manifold S1 P		JIC -16 Str.	601186	601142	980 mm	345 bar	SAE 100 R13			
643149	Swiroll T		JIC -16 Str.	601186	601142		1"	615084		Marked T	
	R. Manifold S1 T		JIC -16 Str.	601186	601142	980 mm	345 bar	SAE 100 R13			
643150	Swiroll EL		JIC -12 Str.	601218	601371		3/4"	615083		Marked EL	
	Mani. Bracket EL		JIC -12 Str.	601218	601371	960 mm	345 bar	SAE 100 R13			
643151	Swiroll DR		JIC -10 Str.	601181	601130		1/2"	615035		Marked DR	
	R. Manifold S1 DR3		JIC -10 Str.	601181	601130	1000 mm	470 bar	EN 857 2SC			

Hose kit 5

Language en

Swirell

Part No. 643009-PP/272

From Head no. 150272

V. 241029

Crimp. = Crimp diameter | cyl. = cylinder | Ex. = External | L. = Left | Lo. = Lower | Mani. = Manifold
 Meas. Wheel = Measuring Wheel | No. = number | Pres. Rating = Pressure Rating | Red. = Reducer | R. = Right
 SBR = Saw Bar Rescue | Str. = Straight | Stump treatm. = Stump treatment | Tot. = Total | U. = Upper | WEOPi = WEO Plug-In

Hose no.	Connections		Fittings		Ferrules	Length	Hose type			Note	
	Connection 1	Connection 2	Fitting 1	Part no.			Total	Size	Part no.		Standard
			Fitting 2								
643126	P		BSP -16 Str.	601157	601142	1049 mm	1"	615084	P		
	R. Manifold S1 P		BSP -16 Str.	601157	601142	980 mm	345 bar	SAE 100 R13			
643127	T		BSP -16 Str.	601157	601142	1049 mm	1"	615084	T		
	R. Manifold S1 T		BSP -16 Str.	601157	601142	980 mm	345 bar	SAE 100 R13			
643128	Protective hose		BSP -12 Str.	601153	601123	1013 mm	3/4"	615074			
	EL		BSP -12 Str.	601153	601123	960 mm	280 bar	EN 857 2SC			
643129	DR		BSP -08 Str.	601152	601130	1046 mm	1/2"	615035	DR		
	R. Manifold S1 DR3		BSP -08 Str.	601152	601130	1000 mm	470 bar	EN 857 2SC			

Hose kit 5

Rotator control

From Head no. 2387

Language en

Part No. 643010/2387-

V. 241029

Crimp. = Crimp diameter | cyl. = cylinder | Ex. = External | L. = Left | Lo. = Lower | Mani. = Manifold
 Meas. Wheel = Measuring Wheel | No. = number | Pres. Rating = Pressure Rating | Red. = Reducer | R. = Right
 SBR = Saw Bar Rescue | Str. = Straight | Stump treatm. = Stump treatment | Tot. = Total | U. = Upper | WEOPI = WEO Plug-In

Hose no.	Connections		Fittings		Ferrules	Length	Hose type			Note	
	Connection 1	Connection 2	Fitting 1	Fitting 2			Part no.	Total	Size		Part no.
649283	L. Manifold A		BSP -04 Banjo		601149	601125	1445 mm	1/4"	615071	Marked A	
	Hose 9284 A		BSP -04 Str.		601150	601125	1400 mm	450 bar	EN 857 2SC		
649284	Hose 9283 A		BSP -04 Str.		601150	601125	1045 mm	1/4"	615071	Marked A	
	Rotator A		BSP -04 Banjo		601149	601125	1000 mm	450 bar	EN 857 2SC		
649316	L. Manifold B		BSP -04 Banjo		601149	601125	1445 mm	1/4"	615071	Marked B	
	Hose 9317 B		BSP -04 Str.		601150	601125	1400 mm	450 bar	EN 857 2SC		
649317	Hose 9316 B		BSP -04 Str.		601150	601125	1045 mm	1/4"	615071	Marked B	
	Rotator B		BSP -04 Banjo		601149	601125	1000 mm	450 bar	EN 857 2SC		

Hose kit 5

Language **en**

Hydraulic uppe knife

Part No. **643011/3572-**

From Head no. 3572

V. 241029

Crimp. = Crimp diameter | cyl. = cylinder | Ex. = External | L. = Left | Lo. = Lower | Mani. = Manifold

Meas. Wheel = Measuring Wheel | No. = number | Pres. Rating = Pressure Rating | Red. = Reducer | R. = Right

SBR = Saw Bar Rescue | Str. = Straight | Stump treatm. = Stump treatment | Tot. = Total | U. = Upper | WEOPI = WEO Plug-In

Hose no.	Connections		Fittings		Ferrules	Length	Hose type			Note	
	Connection 1	Connection 2	Fitting 1	Part no.			Total	Size	Part no.		Standard
			Fitting 2								
643111	Extra Mani. A		BSP -04 Banjo	601149	601539	673 mm	1/4"	615091			
	U. knife Cyl. B		BSP -04 Banjo	601149	601539	620 mm					
643112	L. Manifold T4		BSP -02 90	601527	601539	684 mm	1/4"	615091			
	U. knife Cyl. A		BSP -04 Banjo	601149	601539	640 mm					

Hose kit 5
Crane kit EcoLog
From Head no. xxxxxxx

Language en
Part No. 643012/xxxxxx
V. 241029

Crimp. = Crimp diameter | cyl. = cylinder | Ex. = External | L. = Left | Lo. = Lower | Mani. = Manifold
Meas. Wheel = Measuring Wheel | No. = number | Pres. Rating = Pressure Rating | Red. = Reducer | R. = Right
SBR = Saw Bar Rescue | Str. = Straight | Stump treatm. = Stump treatment | Tot. = Total | U. = Upper | WEOPI = WEO Plug-In

Hose no.	Connections		Fittings		Ferrules	Length	Hose type			Note	
	Connection 1	Connection 2	Fitting 1	Fitting 2			Part no.	Total	Size		Part no.
13349	Crane		BSP -12 Str.		601153	601371	3140 mm	3/4"	615083	Marked EL	
	Bracket frame		BSP -12 Str.		601153	601371	3140 mm	345 bar	SAE 100 R13		
13359	Crane		BSP -04 Str.		601150	601125	3250 mm	1/4"	615071	Marked STUMP	
	Stump treatm. 1		BSP -04 Str.		601150	601125	3250 mm	450 bar	EN 857 2SC		
643125	Stump treatm. 1		BSP -04 90		601170	601125	1236 mm	1/4"	615071		
	Swivel		BSP -04 Str.		601150	601125	1200 mm	450 bar	EN 857 2SC		
649103	Crane		BSP -16 Str.		601157	601142	2900 mm	1"	615084	Marked P	
	R. Manifold S1 P		BSP -16 Str.		601157	601142	2900 mm	345 bar	SAE 100 R13		
649106	Crane		BSP -08 Str.		601152	601130	2940 mm	1/2"	615035	Marked DR	
	R. Manifold S1 DR3		BSP -08 Str.		601152	601130	2940 mm	470 bar	EN 857 2SC		
649107	Crane		BSP -16 Str.		601157	601142	2900 mm	1"	615084	Marked T	
	R. Manifold S1 T		BSP -16 Str.		601157	601142	2900 mm	345 bar	SAE 100 R13		

Hose kit 5

Saw 98 XL

From Head no. 150373

Language **en**

Part No. **643014/150373**

V. 241029

Crimp. = Crimp diameter | cyl. = cylinder | Ex. = External | L. = Left | Lo. = Lower | Mani. = Manifold
 Meas. Wheel = Measuring Wheel | No. = number | Pres. Rating = Pressure Rating | Red. = Reducer | R. = Right
 SBR = Saw Bar Rescue | Str. = Straight | Stump treatm. = Stump treatment | Tot. = Total | U. = Upper | WEOPi = WEO Plug-In

Hose no.	Connections		Fittings		Ferrules Part no.	Length Total Cut	Hose type			Note	
	Connection 1	Connection 2	Fitting 1	Fitting 2			Part no.	Size	Pres. Rating		Standard
			Part no.								
643078	L. Manifold B1		BSP -04 90		601170	1534 mm	1/4"		615071		
	Saw bar feed cyl. A		BSP -04 Banjo		601149	1490 mm	450 bar		EN 857 2SC		
643079	L. Manifold A1		BSP -04 90		601160	1723 mm	1/4"		615071		
	Saw bar feed cyl. B		BSP -04 Banjo		601149	1670 mm	450 bar		EN 857 2SC		
643110	Easy Greasy		BSP -04 Banjo		601149	273 mm	1/4"		615071		
	Saw unit		BSP -04 90		601160	220 mm	450 bar		EN 857 2SC		
643030	R. Manifold S1 DR4		BSP -06 90°		601161	1655 mm	3/8"		615072		
	Saw motor D		BSP -06 Banjo		601148	1600 mm	385 bar		EN 857 2SC		
643910	R. Manifold S1 T4		BSP -12 45		601178	1523 mm	3/4"		615074		
	Saw motor B		BSP -12 Str.		601153	1430 mm	280 bar		EN 857 2SC		
643909	Saw motor valve SP		BSP -12 45		601178	435 mm	3/4"		615005		
	Saw motor A		BSP -12 Str.		601153	330 mm	375 bar		EN 857 2SC		

Hose kit 5

Color marking equipment

From Head no. 150398

Language en

Part No. 643015/150398

V. 241029

Crimp. = Crimp diameter | cyl. = cylinder | Ex. = External | L. = Left | Lo. = Lower | Mani. = Manifold
 Meas. Wheel = Measuring Wheel | No. = number | Pres. Rating = Pressure Rating | Red. = Reducer | R. = Right
 SBR = Saw Bar Rescue | Str. = Straight | Stump treatm. = Stump treatment | Tot. = Total | U. = Upper | WEOPI = WEO Plug-In

Hose no.	Connections		Fittings		Ferrules	Length	Hose type		Note		
	Connection 1	Connection 2	Fitting 1	Fitting 2			Part no.	Part no.		Size	Part no.
615055	Hose guard					Total Cut	1200 mm	1/2"			
643141	L. Manifold PM		BSP -02 Banjo		601531	1326 mm	1/4"		615091		90°
	Color Pump P		BSP -04 90		601539	1300 mm					
643142	R. Manifold S1 DR5		BSP -02 Banjo		601531	1746 mm	1/4"		615091		133°
	Color Pump DR		BSP -04 90		601539	1720 mm					
643143	L. Color tank		BSP -04 Banjo		601539	2013 mm	1/4"		615091		90°
	Color Pump C1T		BSP -04 90		601539	1960 mm					
643144	R. Color tank		BSP -04 Banjo		601539	1973 mm	1/4"		615091		90°
	Color Pump C2T		BSP -04 90		601539	1920 mm					
643145	Color Pump C1P		BSP -02 90		601527	718 mm	1/4"		615091		
	Color Block 1		BSP -02 Str.		601529	700 mm					
643146	Color Pump C2P		BSP -02 90		601539	698 mm	1/4"		615091		
	Color Block 2		BSP -02 Str.		601529	680 mm					

Language en
Part No. 643016/XXXXXX
V. 241029

Hose kit 5
Adjustable tensioner mani. 19cc
From Head no. XXXXXX

Crimp. = Crimp diameter | cyl. = cylinder | Ex. = External | L. = Left | Lo. = Lower | Mani. = Manifold
Meas. Wheel = Measuring Wheel | No. = number | Pres. Rating = Pressure Rating | Red. = Reducer | R. = Right
SBR = Saw Bar Rescue | Str. = Straight | Stump treatm. = Stump treatment | Tot. = Total | U. = Upper | WEOPi = WEO Plug-In

Hose no.	Connections		Fittings		Ferrules	Length	Hose type			Note	
	Connection 1	Connection 2	Fitting 1	Part no.			Total	Size	Part no.		Standard
			Fitting 2								
642953	Right manifold D		BSP -06 90°	601161	601121	991 mm	3/8"	615072			
	Tensioner mani.		BSP -06 Str.	601151	601121	940 mm	385 bar	EN 857 2SC			
642954	Tensioner mani.		BSP -06 Str.	601151	601121	554 mm	3/8"	615072			
	Saw motor D		BSP -06 Banjo	601148	601121	510 mm	385 bar	EN 857 2SC			
642955	Saw motor valve manifold		BSP -04 Banjo	601149	601125	593 mm	1/4"	615071			
	Tensioner mani. P		BSP -04 Banjo	601149	601125	540 mm	450 bar	EN 857 2SC			
642956	Tensioner mani.		BSP -04 Banjo	601149	601539	814 mm	1/4"	615091			
	Saw motor		BSP -02 90	601527	601539	770 mm					

Language en
Part No. 643017/XXXXXX
V. 241029

Hose kit 5
Adjustable tensioner mani. 30cc
From Head no. XXXXXX

Crimp. = Crimp diameter | cyl. = cylinder | Ex. = External | L. = Left | Lo. = Lower | Mani. = Manifold
Meas. Wheel = Measuring Wheel | No. = number | Pres. Rating = Pressure Rating | Red. = Reducer | R. = Right
SBR = Saw Bar Rescue | Str. = Straight | Stump treatm. = Stump treatment | Tot. = Total | U. = Upper | WEOPI = WEO Plug-In

Hose no.	Connections		Fittings		Ferrules	Length	Hose type			Note
	Connection 1	Connection 2	Fitting 1	Fitting 2			Part no.	Size	Part no.	
642953	Right manifold D		BSP -06 90°		601121	Total Cut	3/8"	615072		
	Tensioner mani.		BSP -06 Str.		601121	940 mm	385 bar	EN 857 2SC		
642955	Saw motor valve manifold		BSP -04 Banjo		601125	593 mm	1/4"	615071		
	Tensioner mani. P		BSP -04 Banjo		601125	540 mm	450 bar	EN 857 2SC		
642956	Tensioner mani.		BSP -04 Banjo		601539	814 mm	1/4"	615091		
	Saw motor		BSP -02 90		601539	770 mm				
642957	Tensioner mani.		BSP -06 Str.		601121	451 mm	3/8"	615072		
	Saw motor D		BSP -06 90°		601121	400 mm	385 bar	EN 857 2SC		

Hose kit 5
Miscellaneous hoses
From Head no. XXXXXX

Language en
Part No. 643019/XXXXXX
V. 241029

Crimp. = Crimp diameter | cyl. = cylinder | Ex. = External | L. = Left | Lo. = Lower | Mani. = Manifold
Meas. Wheel = Measuring Wheel | No. = number | Pres. Rating = Pressure Rating | Red. = Reducer | R. = Right
SBR = Saw Bar Rescue | Str. = Straight | Stump treatm. = Stump treatment | Tot. = Total | U. = Upper | WEOPi = WEO Plug-In

Hose no.	Connections		Fittings		Ferrules	Length	Hose type			Note	
	Connection 1	Connection 2	Fitting 1	Part no.			Size	Pres. Rating	Part no.		Standard
			Fitting 2	Cut							
643124	Swivel		BSP -04 Str.	601150	601539	317 mm	1/4"	615091			
	Saw unit		BSP -04 Str.	601150	601539	280 mm					
643125	Stump treatm. 1		BSP -04 90	601170	601125	1236 mm	1/4"	615071	STUMP		
	Swivel		BSP -04 Str.	601150	601125	1200 mm	450 bar	EN 857 2SC			
643139	Protective hose					570 mm	1/4"	615071	Length Measuring		
	Encoder R. Roller motor				601125	570 mm	450 bar	EN 857 2SC			
643140	Protective hose					640 mm	1/4"	615071	Length Measuring		
	Encoder L. Roller motor				601125	640 mm	450 bar	EN 857 2SC			
643147	Adapter Grease		BSP -04 Str.	601150	601125		1/4"	615071	Grease lubrication		
	Saw motor R		BSP -04 90	601170	601125	1420 mm	450 bar	EN 857 2SC			
643152	Adapter Grease		BSP -04 Str.	601150	601125		1/4"	615071	Grease lubrication		
	Saw motor R		BSP -02 90	601527	601125	1420 mm	450 bar	EN 857 2SC			
643197	Protective hose		M 20 Str. Ex.	601551	601121	0 mm	3/8"	615072	Find End		
	Find End				601121		385 bar	EN 857 2SC			

Log Max

5000D

Spare part manual

150502-

en

Log Max

5000D

Spare part manual

150502-

en

Log Max

5000D

Spare part manual

150502-

en

Log Max

5000D

Spare part manual

150502-

en

Log Max

5000D

Spare part manual

150502-

en

Log Max

5000D

Spare part manual

150502-

en

Log Max

5000D

Spare part manual

150502-

en