

Log Max

E6

Spare part manual



www.logmax.com

Ver. 1.4



Stationsvägen 12 - 77013 Grangärde - SWEDEN
Phone: +46 240 59 11 00
info@logmax.com www.logmax.com

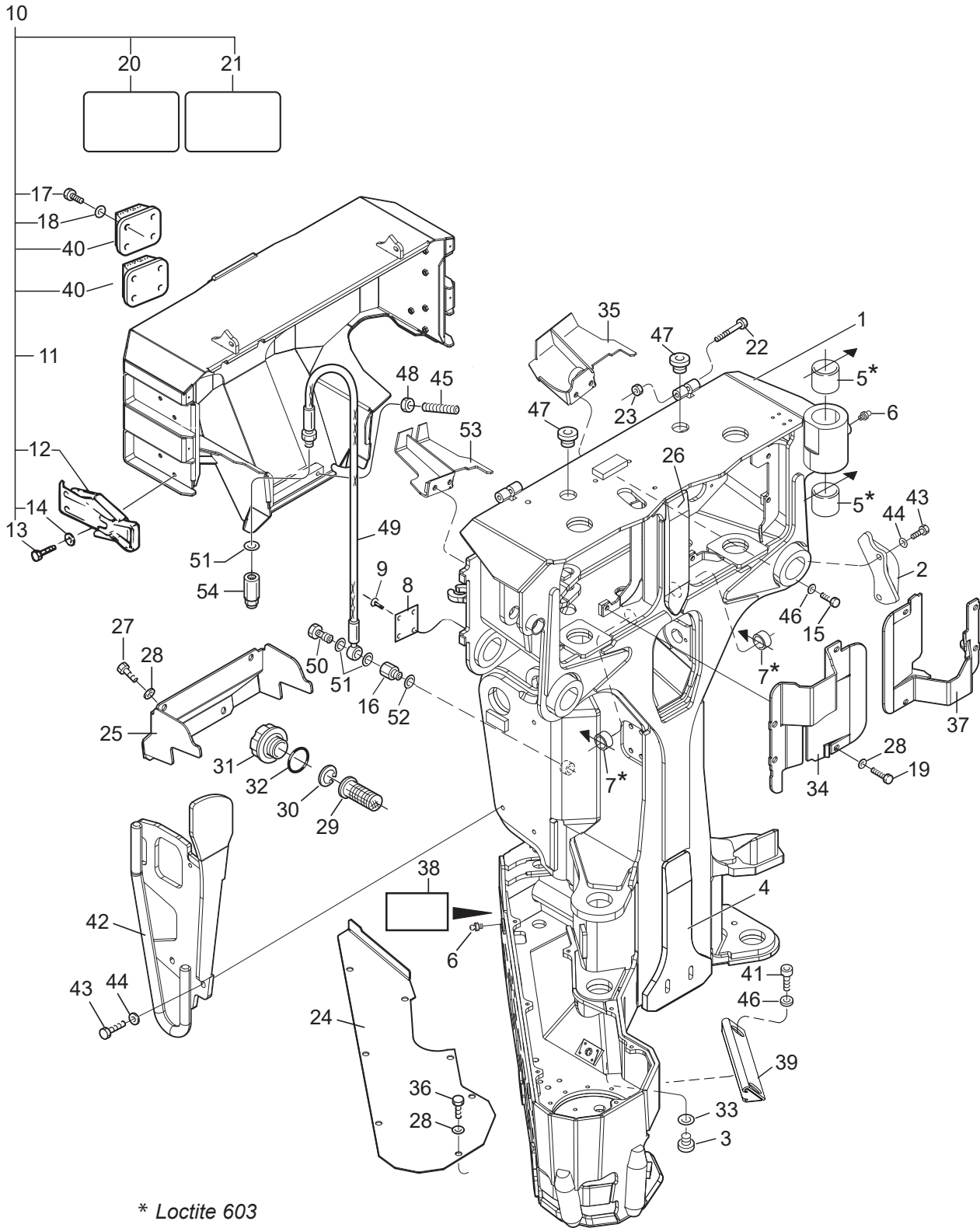
Applies to serial number: 260189-

Contents

1. Frame and protection	9
Frame with protective cover.....	11
2. Delimiting unit	15
Delimiting unit, Power float.....	17
Lower delimiting knives	19
Upper delimiting knife	23
Upper delimiting knife, replacable blade	25
3. Feeding unit.....	27
Feed roller arms.....	29
Feed roller motors.....	33
Support wheel	35
Feed rollers, eucalyptus 45°	37
4. Measuring	39
Diameter measuring	41
5. Felling unit	43
Felling unit	45
6. Saw unit	49
Saw unit 98B.....	51
Saw unit 98XL.....	55
Saw hydraulics.....	59
Chain lubrication - Easy Greasy	61
Easy Greasy pump.....	63
Saw bar and chain, Saw 98B.....	65
Saw bar and chain, Saw 98XL.....	67
Saw unit F11-19.....	69
Saw motor	71
Housing	73
Tension device	75
Bar holder #1 STD	77
Bar holder #3.....	79
Bar holder #5.....	81
Bar holder #7.....	83
Chain lubrication	85
Cylinder	87
Cylinder connection, rear	89
Electrical system, saw unit.....	91
Encoder.....	93
Seal kit	95
Stump treatment, hose kit.....	97
Saw bar and chain	99
7. Rotators	101
Rotator AV 17S	103
Rotator H 182D.....	105
Rotator control, valve.....	107
8. Accessories	109

Find End, laser.....	111
Find End, assembly.....	113
Find End, photocell.....	115
Fixed upper delimiting knife.....	117
Hose holder	119
Knife edge protection	121
Saw dust cover	123
Stump treatment, Saw 98	125
Tool kit.....	127
Tools for pins.....	129
9. Hydraulic system	131
Hydraulic system, Power float	133
Left manifold, assembly	137
Left manifold	139
Directional valve 24V.....	141
Directional valve 24V.....	143
Directional valve 24V.....	145
Pressure reducer valve.....	147
Check valve	149
Pressure reducer valve.....	151
Check valve	153
Check valve	155
Right manifold, Power float.....	157
Inlet section S01	159
Knife section S02.....	161
Feed section S03.....	163
Feed section S04.....	165
Knife section S05.....	167
End section S06	169
Feed reducer	171
Pilot reducer	173
Pilot reducer	175
Relief valve	177
Relief valves	179
Cap.....	181
Cap.....	183
Cap.....	185
Cylinder Ø40/25 - 106.....	187
Hydraulic cylinder.....	189
Rod kit	191
Hydraulic cylinder.....	193
Rod kit	195
Hydraulic cylinder.....	197
Rod kit	199
10. Control system	201
Log Mate 510.....	203
Fastener.....	205
Electrical system, saw unit 98.....	207
11. Hose kits	209

1. Frame and protection

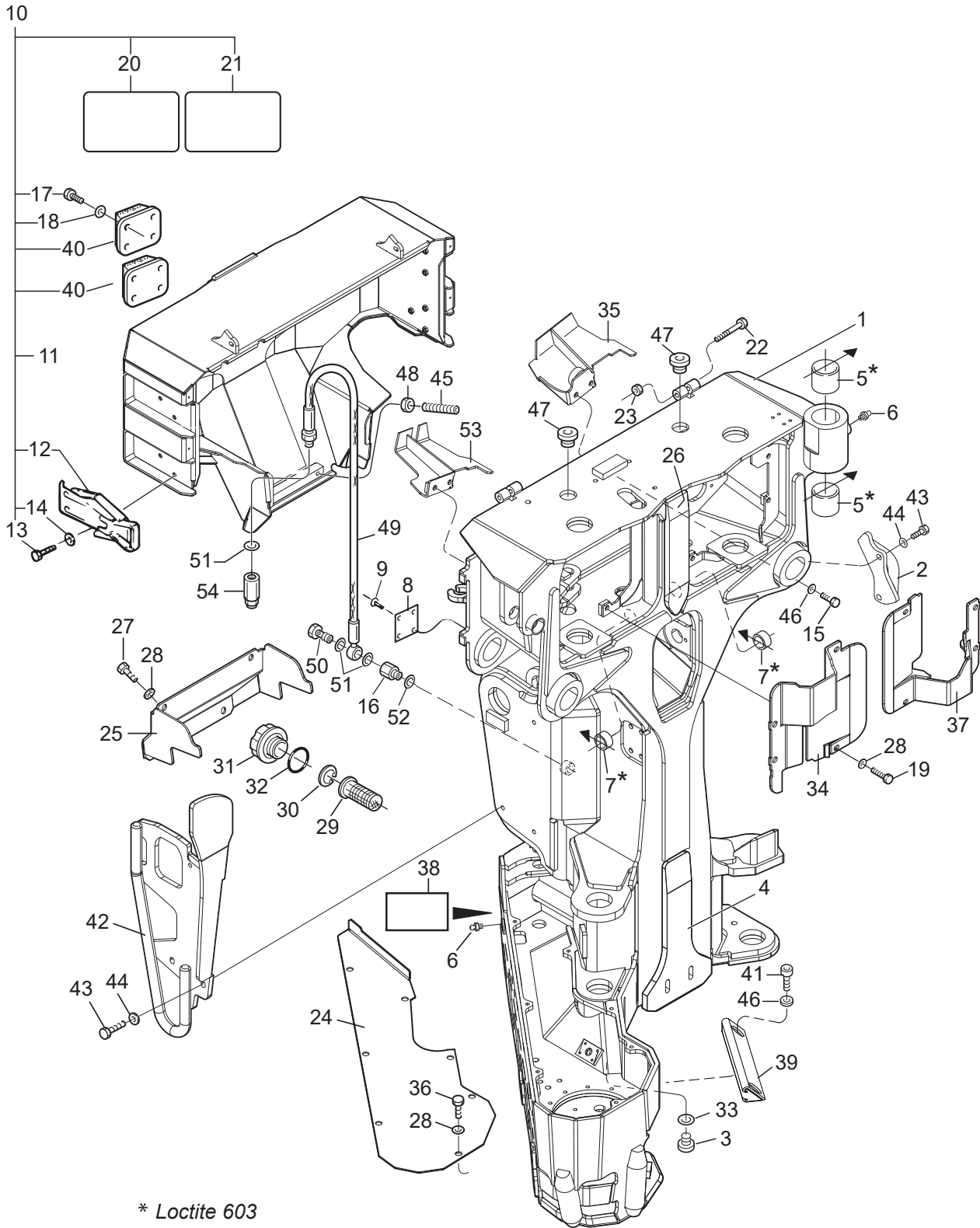


02/001

Log Max E6

Frame with protective cover

Structure 006302-4				
Pos.	Part no.	Quantity	Description	Specification
1	049018	1	Frame compl.	
2	016030	1	Hose leader	Left / Vänster
3	015642	1	Magnetic plug	1/2"
4	018212	1	Wear plate	Lower / Nedre
5	512081	2	Bushing	60x40
6	625000	4	Grease nipple	KR 1/8" R
7	512083	2	Bushing	35/39 – 20
8	016891	1	Plate	
9	500651	4	Screw	CSS 2.2x4.5
10	049022	1	Cover compl.	
11	049026	1	Cover	
12	519085	4	Overcentre latch	
13	500042	12	Screw	M6S M8x16 8.8 FZB
14	503055	12	Washer	M8 Nordlock
15	501090	2	Screw	MC6S M10x30 12.9
16	602055	1	Coupling	R 1/4" – R 1/4" UF – IF
17	500022	8	Screw	M6S M6x14 8.8 FZB
18	503065	8	Washer	M6 Nordlock
19	500068	8	Screw	M6S M10x25 8.8 FZB
20	519140	1	Decal	Crushing Hazard/ Klämrisk
21	519141	1	Decal	Chain shot/ Kedjeskott
22	501215	2	Screw	MC6S M10x75 12.9
23	502055	2	Low	M10 Locking Low / Låg
24	016773	1	Cover	
	022092	1	Cover	
25	016772	1	Cover	
26	018211	1	Wear plate	Upper / Övre
27	500066	4	Screw	M6S M10x20 8.8 FZB
28	503075	21	Washer	M10 Nordlock Wide / Stor
29	015351	1	Filter	
30	517238	1	Circlip	SGH 45
31	013969	1	Filling cap compl.	Yellow / Gul
32	543028	1	O-ring	Ø 44.04x3.53 Viton

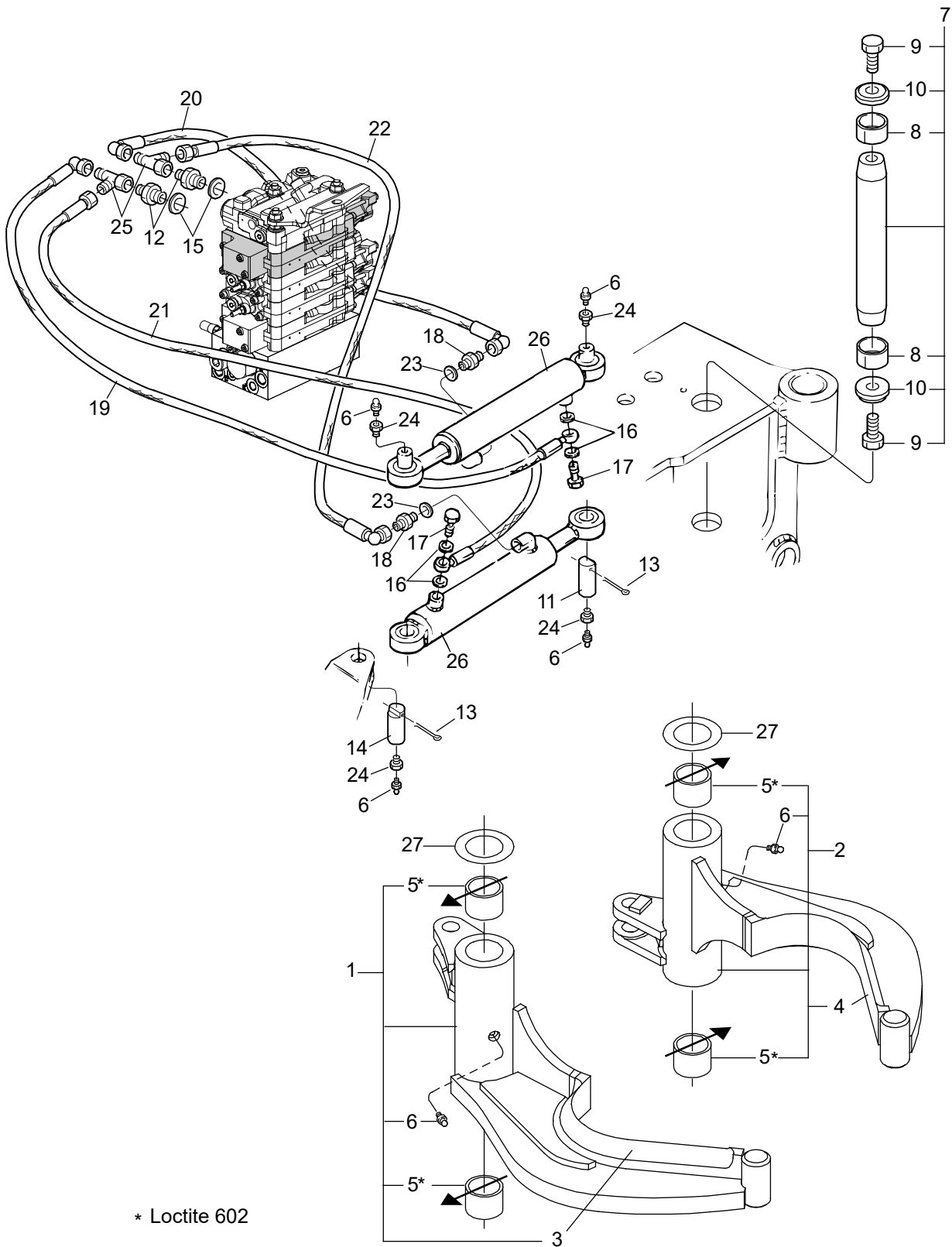


02/001

Log Max E6

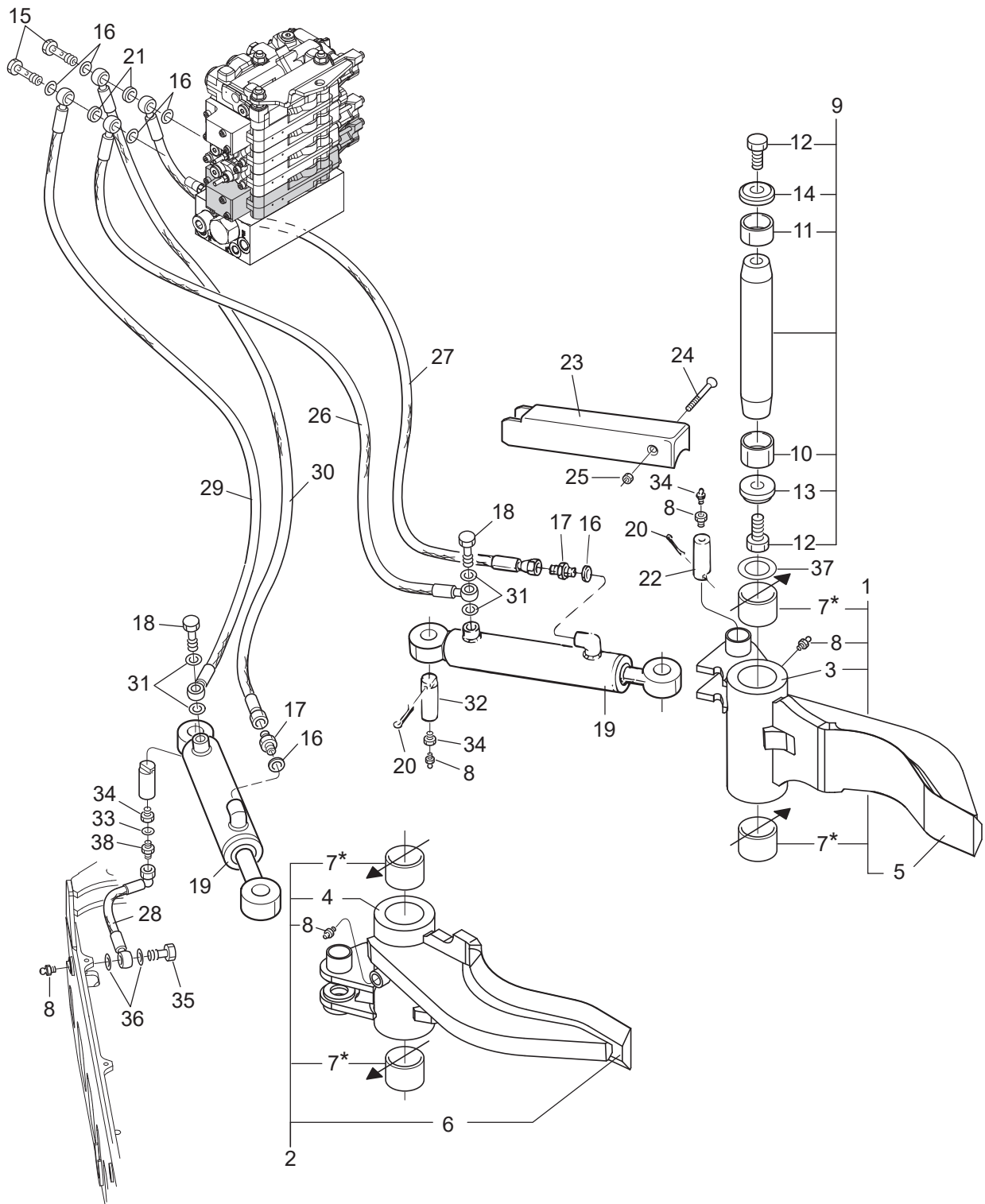
Structure				
Pos.	Part no.	Quantity	Description	Specification
33	601103	1	Seal ring	1/2"
34	016576	1	Protective cover	Right / Höger
35	017014	1	Cover	Left / Vänster
36	500066	7	Screw	M6S M10x20 8.8 FZB
37	016575	1	Protective cover	Left / Vänster
38	519153	1	Decal	
39	016296	1	Cover	Saw cylinder / Sågcyllinder
40	014377	2	Rubber damper	84x65 mm
41	501087	2	Screw	MC6S M10x20 12.9
42	016100	1	Hose leader	Right / Höger
43	500091	5	Screw	M6S M12x30 8.8 FZB
44	503076	5	Washer	M12 Nordlock Wide / Stor
45	513042	2	Screw	P6SS M12x50
46	503057	6	Washer	M10 Nordlock
47	011537	2	Plug	R 1 1/4"
48	502056	2	Nut	M12 Locking Low / Låg
49	646528	1	Hose 6528	
50	601060	1	Banjo bolt	R 1/4"
51	601200	3	Seal ring	13x19x1.5
52	601101	1	Seal ring	1/4"
53	017016	1	Protection plate	Without diameter / Utan diameter
54	015037	1	Breather valve	

2. Delimiting unit



Delimiting unit, Power float

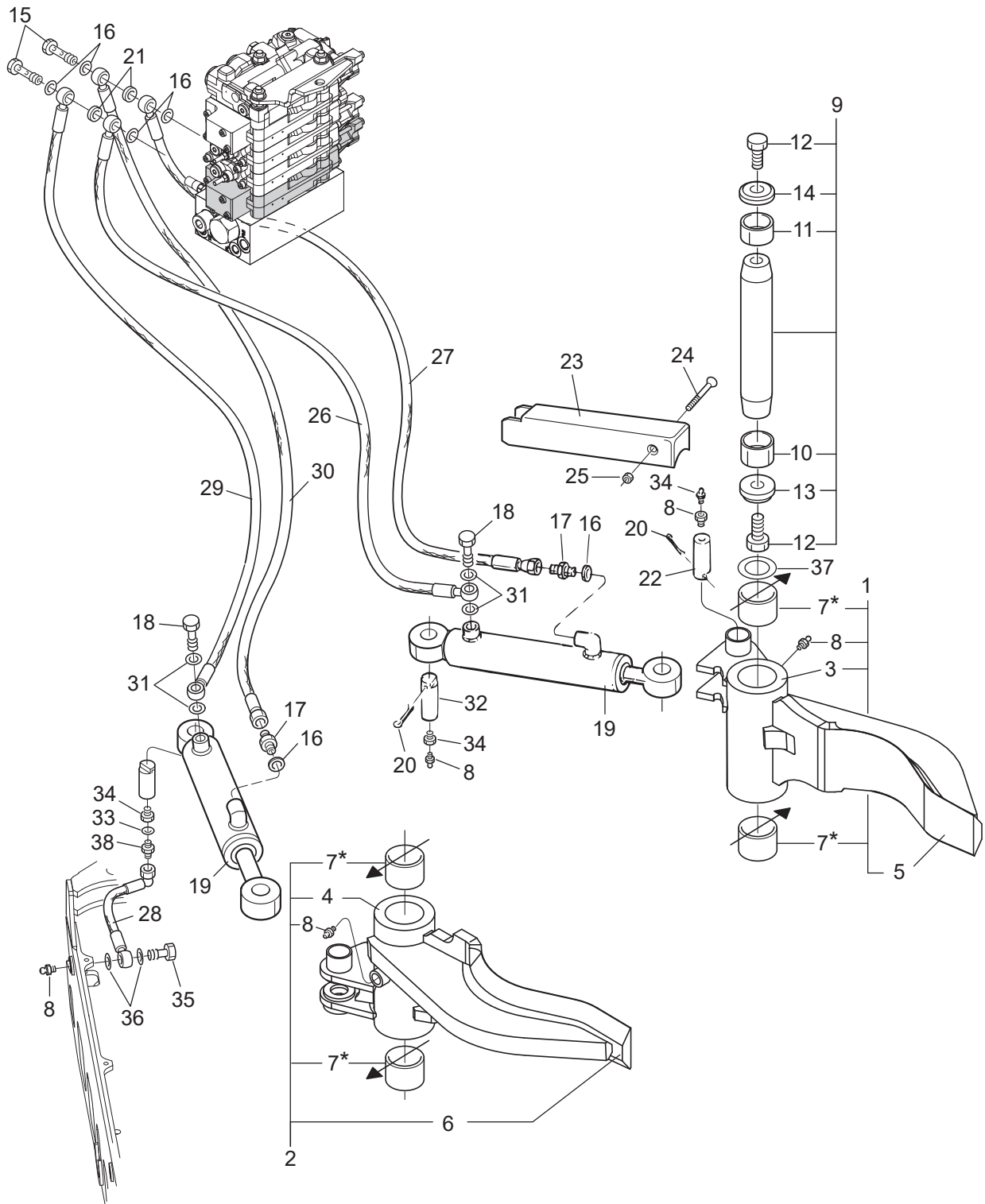
Structure 006303, 049065				
Pos.	Part no.	Quantity	Description	Specification
1	049016	1	Delimiting knife compl.	Right / Höger
1	043119	(1)	Delimiting knife compl.	Processor
2	049015	1	Delimiting knife compl.	Left / Vänster
2	043118	(1)	Delimiting knife compl.	Processor
3	015918	1	Knife edge	Right / Höger
4	015917	1	Knife edge	Left / Vänster
5	512080	4	Bushing	60x60
5	512029	4	Bushing	60x60 Processor
6	625000	6	Grease nipple	KR 1/8" R
5	625001	2	Grease nipple	90 Processor
7	518021	2	Expander shaft	
8	518024	2	Sleeve	Thin / Smal
9	518025	2	Bolt	
10	518027	2	Washer	
11	015383	2	Pin	Ø 30 L=89 mm
12	601030	2	Coupling	R 1/4" UF – R 1/2" UF
13	516002	4	Cotter pin	6.3x50
14	015382	2	Pin	Ø 30 L=71 mm
15	601103	2	Seal ring	1/2"
16	601200	4	Seal ring	13x19x1.5
17	601060	2	Banjo	R 1/4"
18	601028	2	Coupling	R 1/4" UF – R 1/4" UF
19	646575	1	Hose 6575	
20	646512	1	Hose 6512	
21	646574	1	Hose 6574	
22	646514	1	Hose 6514	
23	601101	2	Seal ring	1/4"
24	602030	4	Coupling	R 1/8" – KR 3/8"
25	601010	2	T-coupling	R 1/4" UF – UF –
26	018987	2	Cylinder	
27	507011	Req / Erf	Shim	63x98x0.5
	507012	Req / Erf	Shim	63x98x1.0
	507063	Req / Erf	Shim	63x98x0.25



* Loctite 603

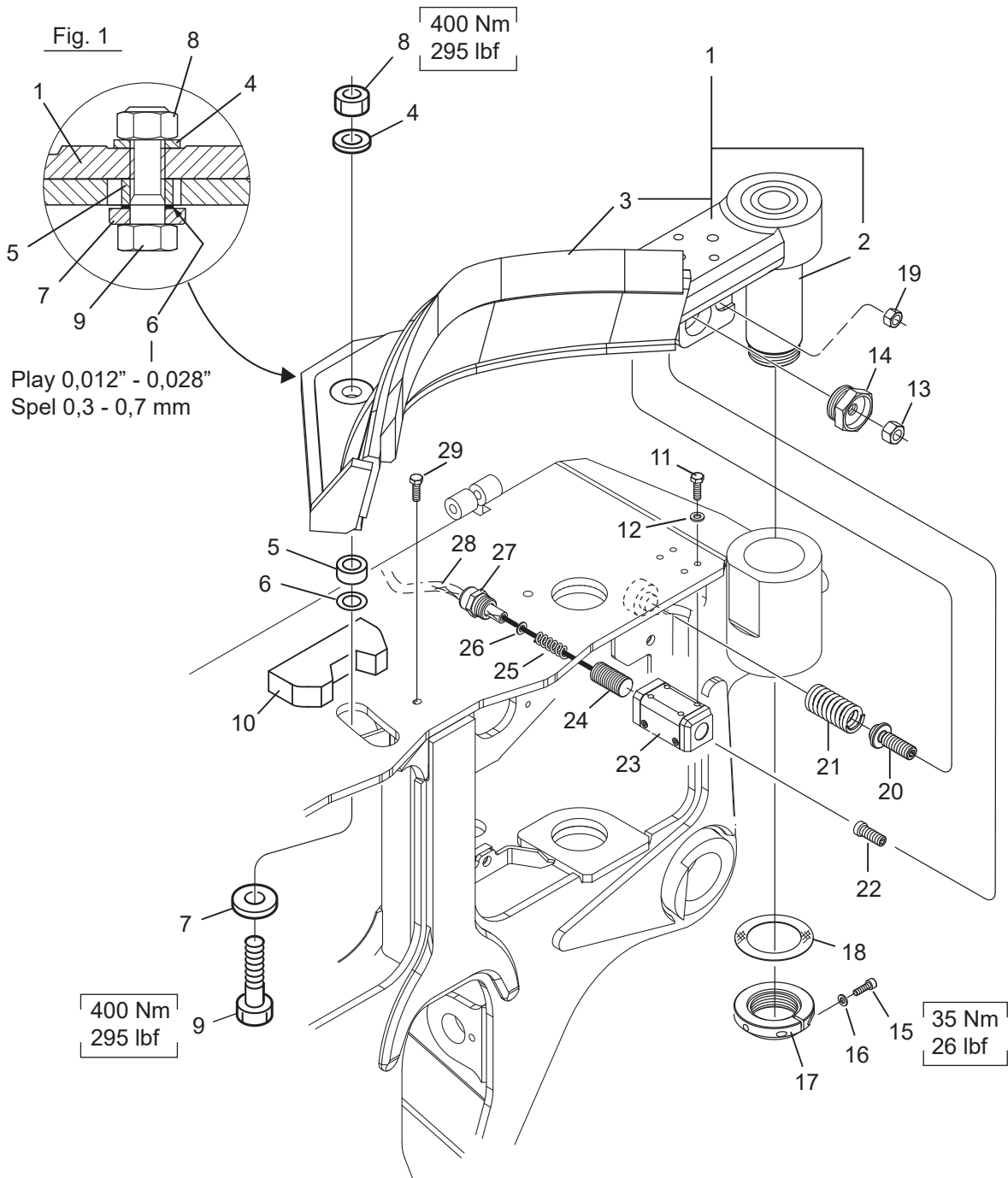
Lower delimiting knives

Structure 006304-4				
Pos.	Part no.	Quantity	Description	Specification
1	049019	1	Delimiting knife compl.	Left / Vänster
2	049020	1	Delimiting knife compl.	Right / Höger
3	017265	1	Delimiting knife	Left / Vänster
4	017268	1	Delimiting knife	Right / Höger
5	017259	1	Knife edge	Left / Vänster
6	017260	1	Knife edge	Right / Höger
7	512080	4	Bushing	60x60
8	625000	6	Grease nipple	KR 1/8" – R
9	518051	2	Expander shaft	
10	518023	2	Sleeve	Wide / Bred
11	518024	2	Sleeve	Thin / Smal
12	518025	4	Bolt	
13	518027	2	Washer	
14	518094	2	Washer	
15	601065	2	Banjo bolt	R 1/4"
16	601101	6	Seal ring	1/4"
17	601028	2	Coupling	R 1/4" UF – R 1/4" UF
18	601060	2	Banjo	R 1/4"
19	018987	2	Cylinder	
20	516002	4	Cotter pin	6.3x50
21	602114	2	Seal ring	1/4"
22	015383	2	Pin	Ø30 L=89 mm
23	016570	2	Cylindercover	
24	500077	2	Screw	M6S M10x70 8.8 FZB
25	502055	2	Nut	M10 Locking Low / Låg
26	646574	1	Hose 6574	
27	646531	1	Hose 6531	
28	646568	1	Hose 6568	
29	646575	1	Hose 6575	
30	646532	1	Hose 6532	
31	601200	4	Seal ring	13x19x1.5
32	015382	2	Pin	Ø30 L=71 mm
33	601100	1	Seal ring	1/8"



* Loctite 603

Structure				
Pos.	Part no.	Quantity	Description	Specification
34	602030	4	Adaptor	R 1/8" – KR 3/8"
35	601064	1	Banjobolt	R 1/8"
36	601203	2	Seal ring	10x14x1.0
37	507011	Req / Erf	Shim	63x98x0.5
	507012	Req / Erf	Shim	63x98x1.0
38	601025	1	Coupling	R 1/8" UF – R 1/8" UF

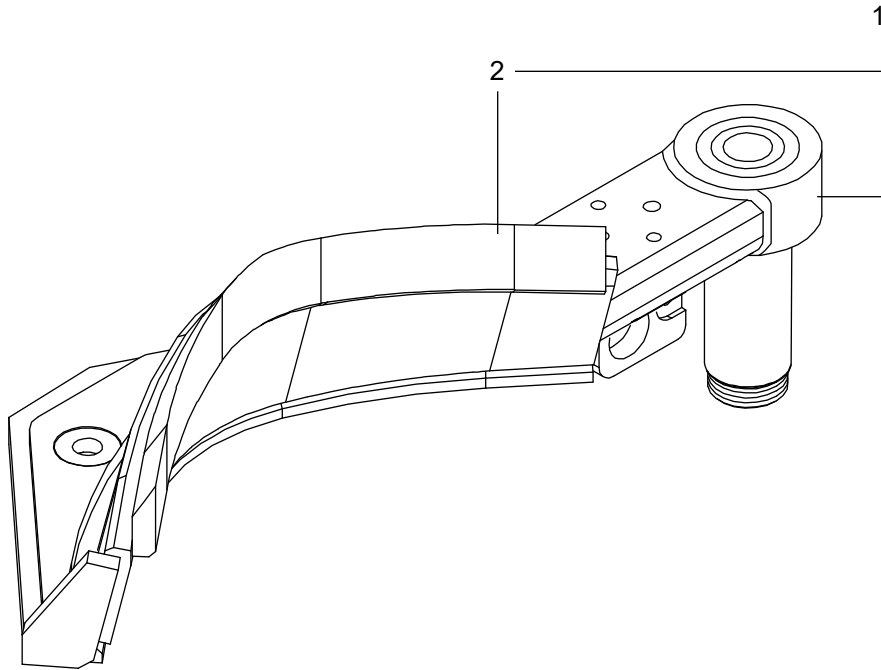


03/003

Log Max E6 - Upper delimiting knife

Upper delimiting knife

Structure 006305				
Pos.	Part no.	Quantity	Description	Specification
1	049029	1	Delimiting knife compl.	
2	016071	1	Pin	Ø60 L=200 mm
3	017280	1	Knife blade	
4	503018	1	Washer	BRFB FZB 25x45x4
5	013335	1	Spacer	
6	015480	Req / Erf	Shim	24x34x0.5
	015481	Req / Erf	Shim	24x34x1.0
7	015410	1	Washer	
8	502062	1	Nut	M24 Locking Low / Låg
9	505091	1	Screw	M6S M24x90 10.9
10	018621	1	Stop lug	
11	500025	4	Screw	M6S M6x25 8.8 FZB
12	503065	4	Washer	M6 Nordlock
13	502706	1	Nut	M16 Low / Låg
14	017281	1	Plug	G 1 1/4"
15	501070	1	Screw	MC6S M8x25 12.9
16	503055	1	Washer	M8 Nordlock
17	016712	1	Threaded ring	M55x2
18	507017	1	Shim	56x89x1
19	502701	1	Nut	M12x1.25
20	017282	1	Adjuster screw	M16
21	526031	1	Spring	
22	016076	1	Magnetic screw	
23	016929	1	Sensor holder	Ø 10.8
24	013007	1	Sensor compl.	Analog
25	526015	1	Spring	
26	503004	1	Washer	6.4x12x1.5 FZB
27	401152	1	Cable sleeve	M20x1.5
28	615019	1	Hose	Ø 8 L=260 mm
29	500046	1	Screw	M6S M8x30 8.8 FZB



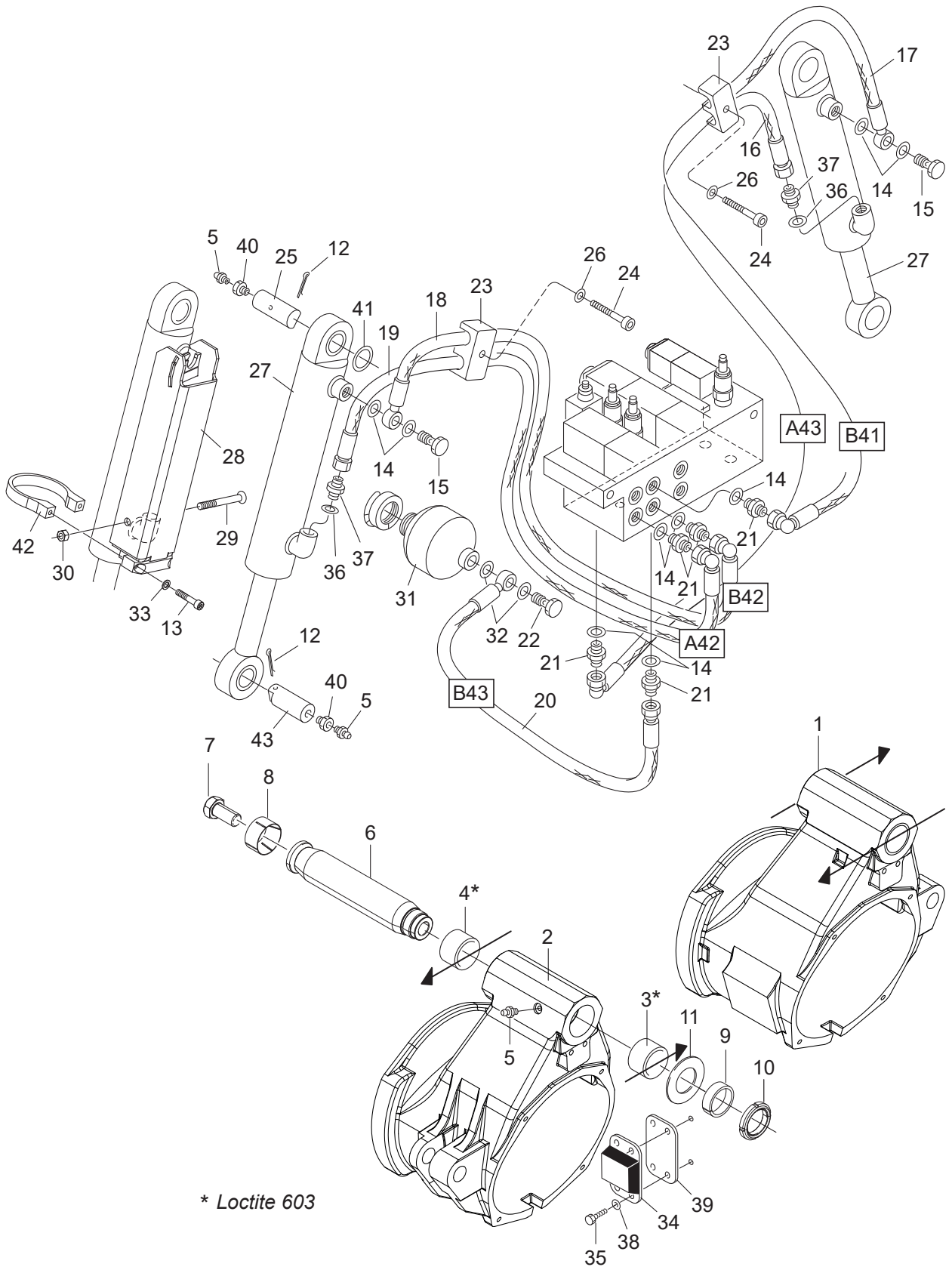
03 /
018

Log Max 6000Twin/E6/7000XT/7000Twin

Upper delimiting knife, replacable blade

Structure 049066				
Pos.	Part no.	Quantity	Description	Specification
1	017272	1	Knife compl.	
2	017280	1	Knife blade	Replaceable / Utbytbar

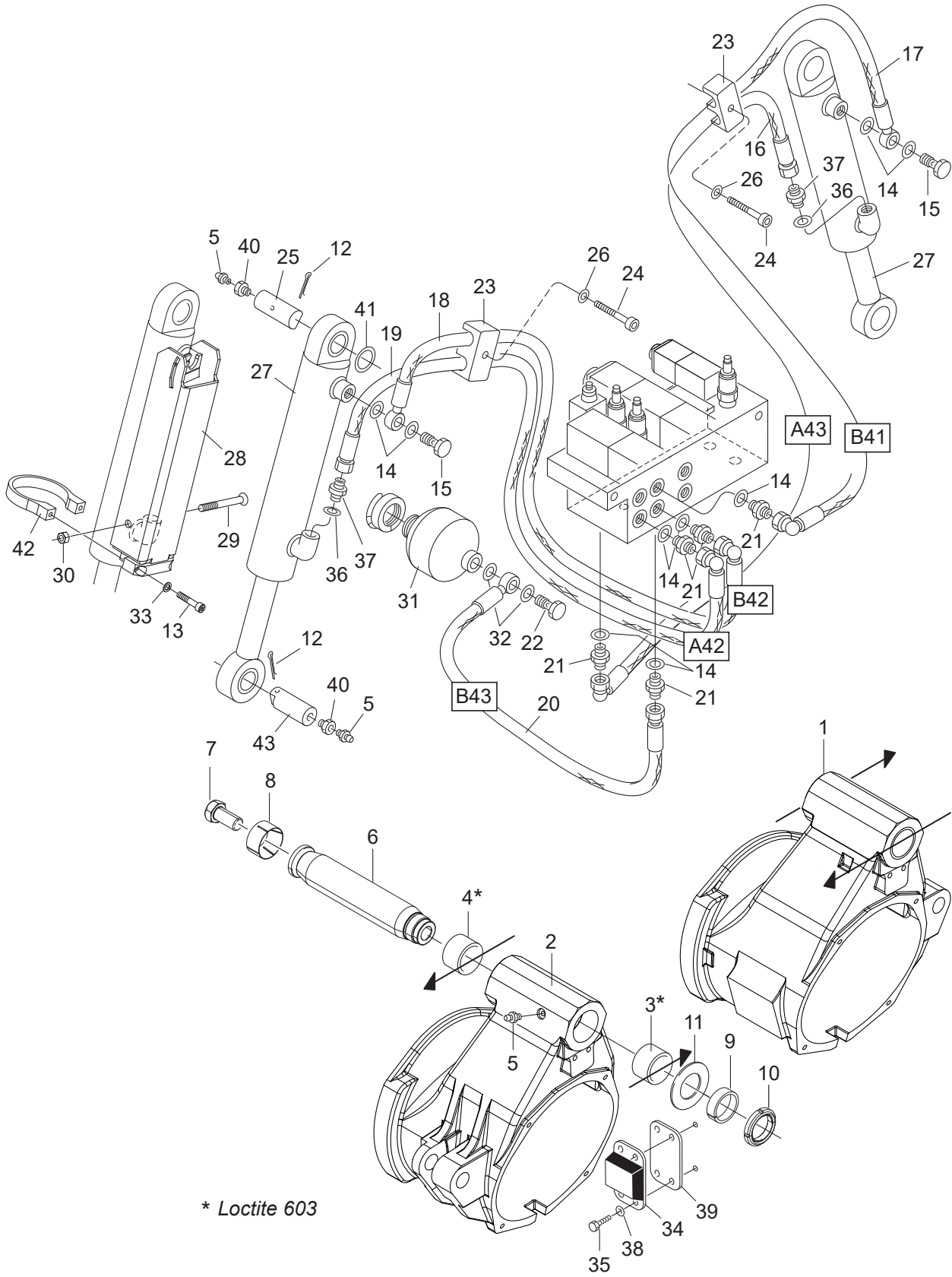
3. Feeding unit



* Loctite 603

Feed roller arms

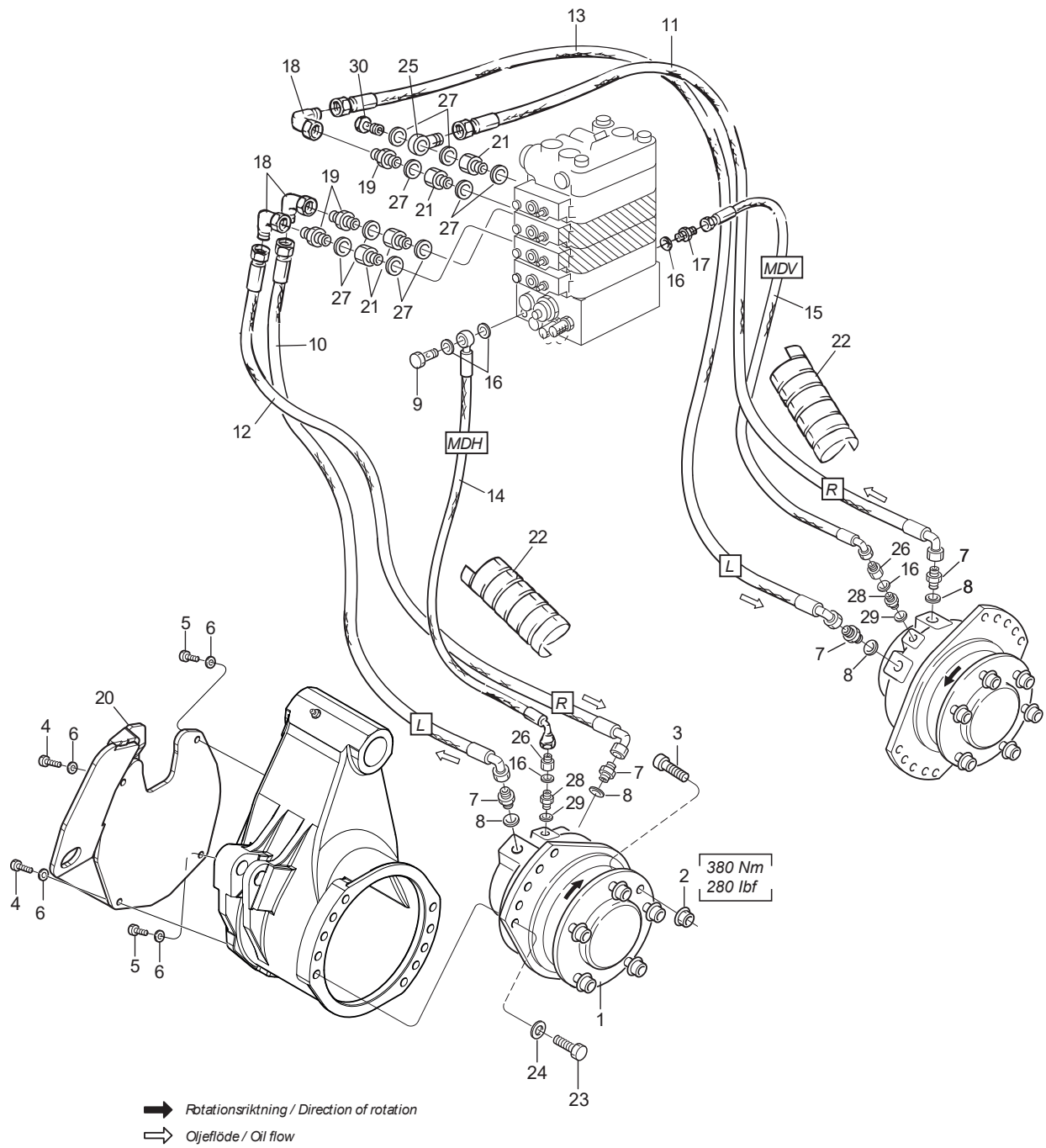
Structure 006307				
Pos.	Part no.	Quantity	Description	Specification
1	006307-H	1	Feed roller arm compl.	Right / Höger
2	006307-V	1	Feed roller arm compl.	Left / Vänster
3	512081	2	Bushing	60x40
4	512080	2	Bushing	60x60
5	625000	6	Grease nipple	KR 1/8" – R
6	518059	2	Expander shaft	
7	518086	2	Bolt	
8	518091	2	Sleeve	Left / Vänster
9	518090	2	Sleeve	Right / Höger
10	518087	2	Nut	
11	507063	Req / Erf	Shim	63x98x0.25
	507011	Req / Erf	Shim	63x98x0.5
	507012	Req / Erf	Shim	63x98x1.0
12	516002	4	Cotter pin	6.3x50
13	501090	4	Screw	MC6S M10x30 12.9
14	601102	9	Seal ring	3/8"
15	601061	2	Banjo bolt	R 3/8"
16	646522	1	Hose 6522	
17	646521	1	Hose 6521	
18	646520	1	Hose 6520	
19	646519	1	Hose 6519	
20	646525	1	Hose 6525	
21	601032	5	Coupling	R 3/8" – R 3/8"
22	601062	1	Banjo bolt	R 1/2"
23	016878	2	Clamp	3/8" Ø16 mm
24	501073	2	Screw	MC6S M8x40 12.9
25	012586	2	Pin	Ø32 L=86 mm
26	503055	4	Washer	M8 Nordlock
27	018997	2	Cylinder	
28	016257	2	Cylinder cover	
29	500078	2	Screw	M6S M10x75 8.8 FZB
30	502055	2	Nut	M10 Locking Low / Låg
31	610140	1	Accumulator	0.5 L – 0 Bar Empty / Oladdad



05/010

Log Max E6

Structure				
Pos.	Part no.	Quantity	Description	Specification
	610141	1	Accumulator	0.5 L – 85 Bar Loaded / Laddad
32	601103	2	Seal ring	1/2"
33	503057	4	Washer	M10 Nordlock
34	014377	2	Rubber damper	84x65
35	500025	8	Screw	M6S M6x25 8.8 FZB
36	601102	2	Seal ring	1/4"
37	601032	2	Coupling	R 3/8" – R 3/8"
38	503073	8	Washer	M6 Nordlock Wide / Stor
39	017133	1	Shim	
40	602030	4	Coupling	R 1/8" – KR 3/8"
41	507060	1	Shim	32.4x42x1
42	016253	2	Clamp	
43	013729	2	Pin	Ø32 L=90 mm

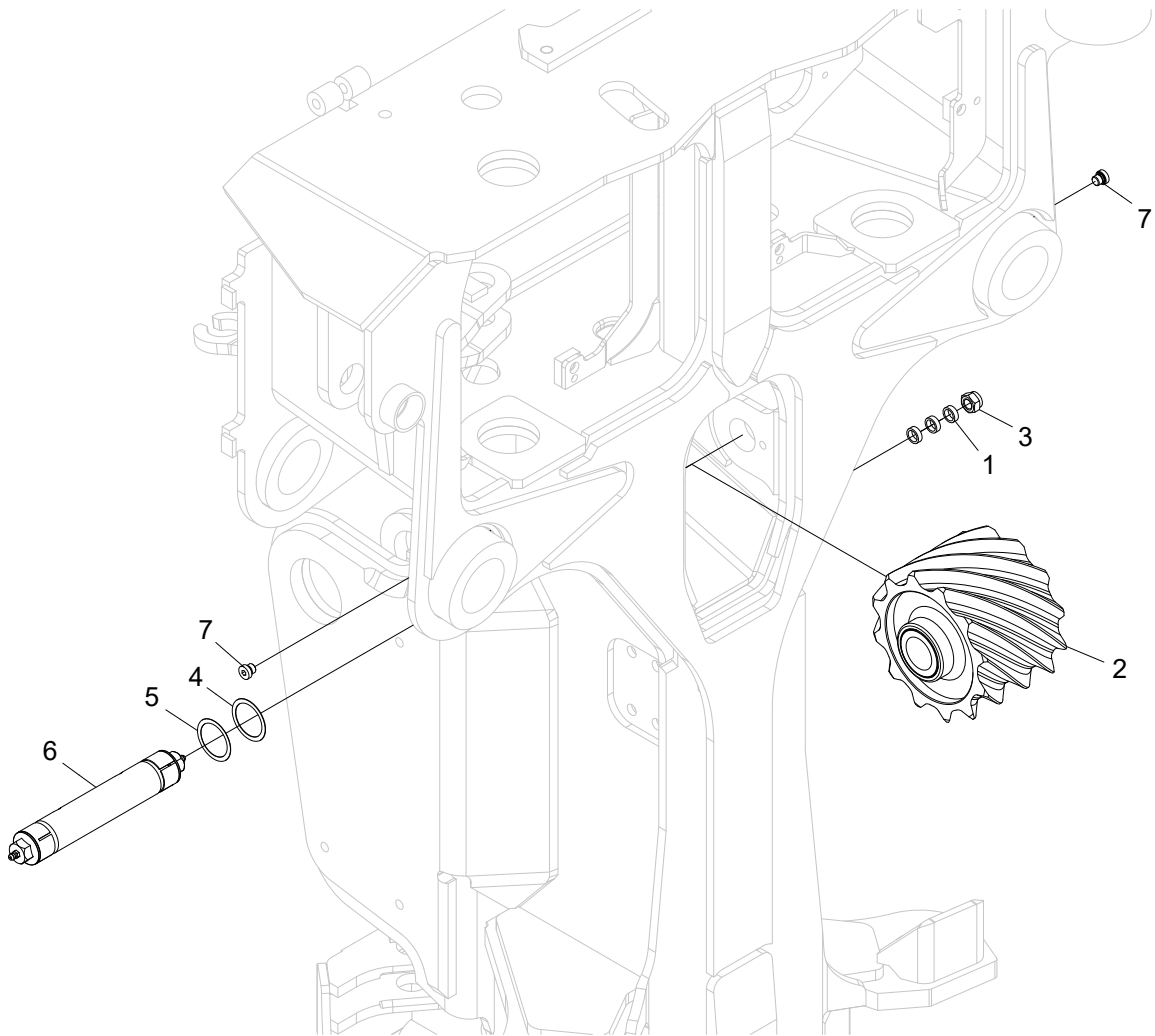


05/011

Log Max E6

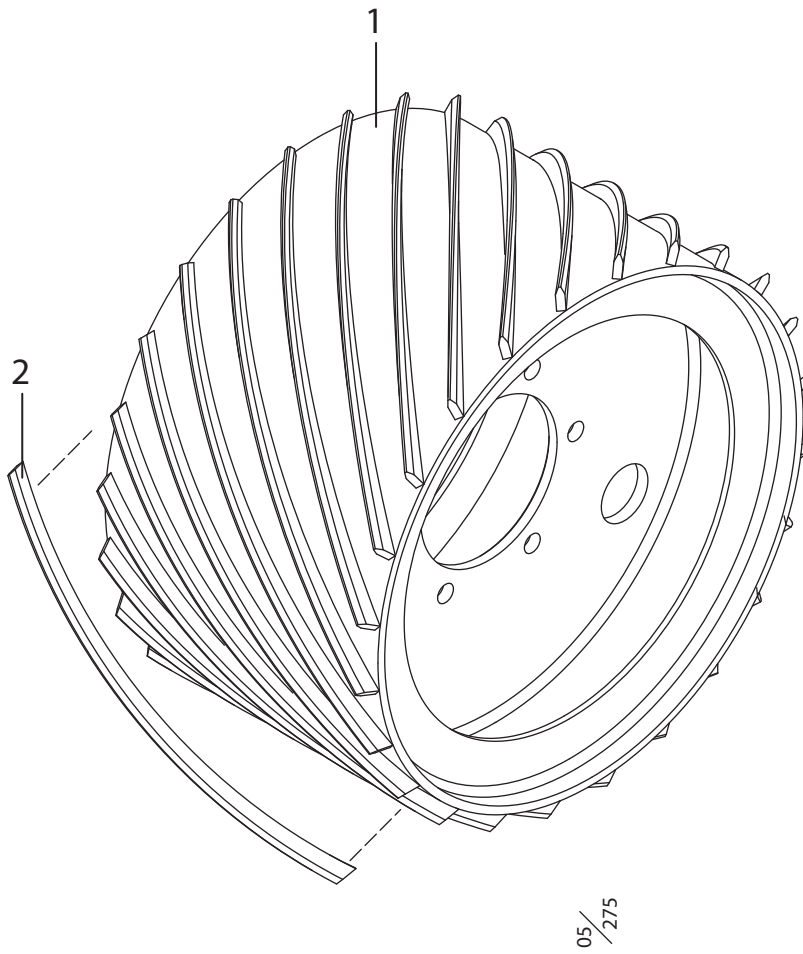
Feed roller motors

Structure 006307-H, 006307-V				
Pos.	Part no.	Quantity	Description	Specification
1	609054	2	Feed roller motor compl.	627 ccm
2	502718	12	Flat collar nut	M18x1.5
3	015864	12	Wheel stud	
4	500092	4	Screw	M6S M12x35 8.8 FZB
5	500090	4	Screw	M6S M12x25 8.8 FZB
6	503060	8	Washer	M10 Nordlock
7	601388	4	Coupling	R 5/8" -> SAEO 1 1/16"
8	543067	4	O-ring	23.47x2.95
9	601061	2	Banjo bolt	R 3/8"
10	646562	1	Hose 6562	
11	646564	1	Hose 6564	
12	646561	1	Hose 6561	
13	646563	1	Hose 6563	
14	646543	1	Hose 6543	
15	646547	1	Hose 6547	
16	601102	9	Seal ring	3/8"
17	601032	1	Coupling	R 3/8" – R 3/8"
18	602026	3	Elbow	R 1/2" UF – IF 90
19	601036	3	Coupling	R 1/2" UF – R 1/2" UF
20	016598	1	Cylinder cover	Right / Höger
	016597	1	Cylinder cover	Left / Vänster
21	013805	4	Coupling	R 1/2" IF – 1/2" UF
22	615051	2	Hose cover	Ø2" L=750 mm
23	500132	20	Screw	M6S M16x45 8.8 FZB
24	503063	20	Washer	M16 Nordlock
25	602016	1	Banjo	R 1/2"
26	602051	4	Coupling	R 3/8" – R 3/8" UF – IF
27	601103	9	Seal ring	1/2"
28	601362	4	Coupling	R 3/8" -> SAEO 3/4"
29	543066	2	O-ring	16.36x2.21
30	601062	1	Banjo bolt	R 1/2"



Support wheel

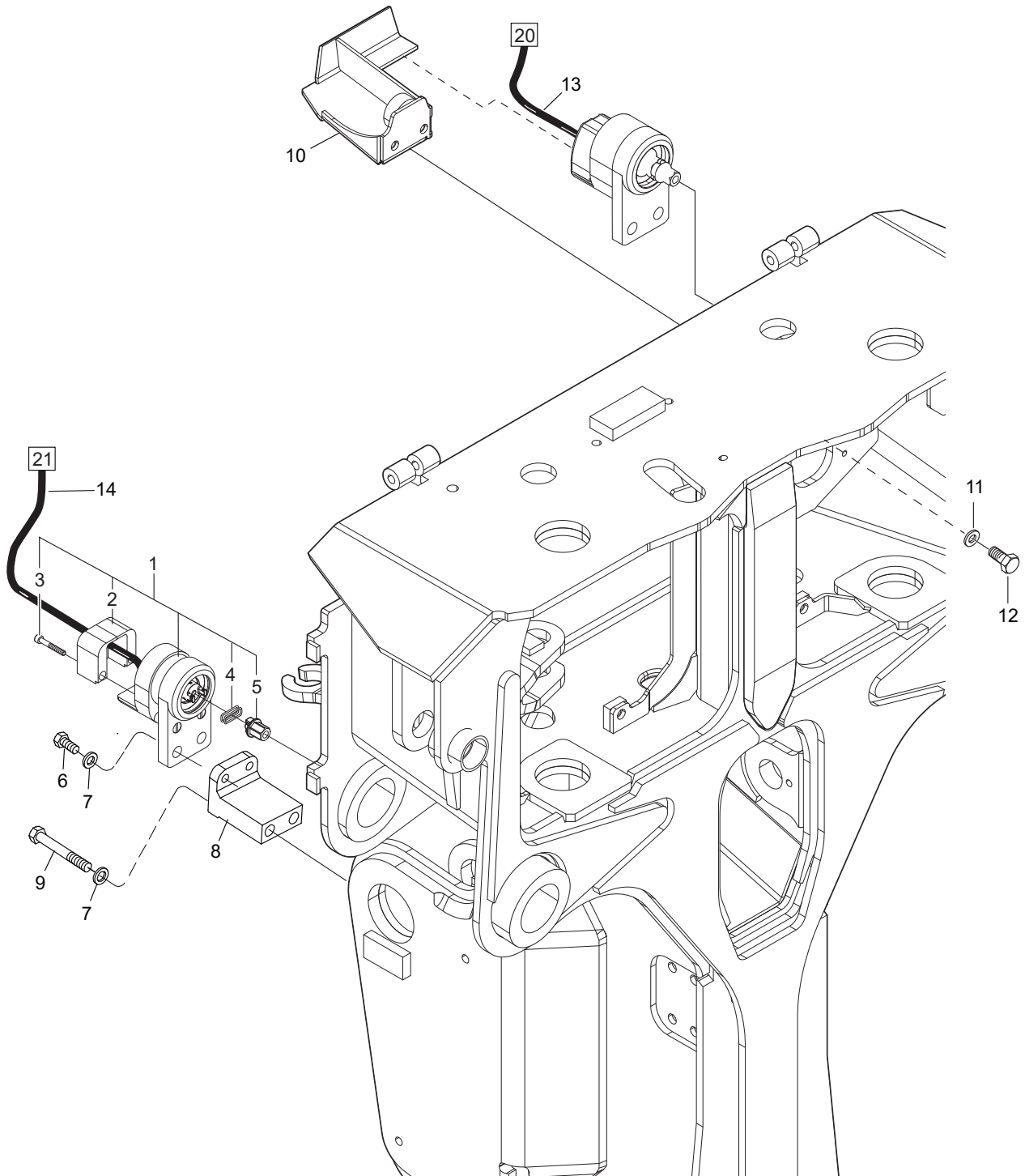
Structure 049003				
Pos.	Part no.	Quantity	Description	Specification
1	010170	3	Spacer	
2	018926	1	Support wheel	
3	502056	1	Nut	M12
4	507002	1	Shim	36x45x0,5
5	507003	1	Shim	36x45x0,3
6	518070	1	Shaft	
7	601000	2	Hex plug	1/8"



Feed rollers, eucalyptus 45°

Structure 043595				
Pos.	Part no.	Quantity	Description	Specification
1	043595	2	Feed roller	
2	015776	1	Bar	Required / Erforderligt

4. Measuring



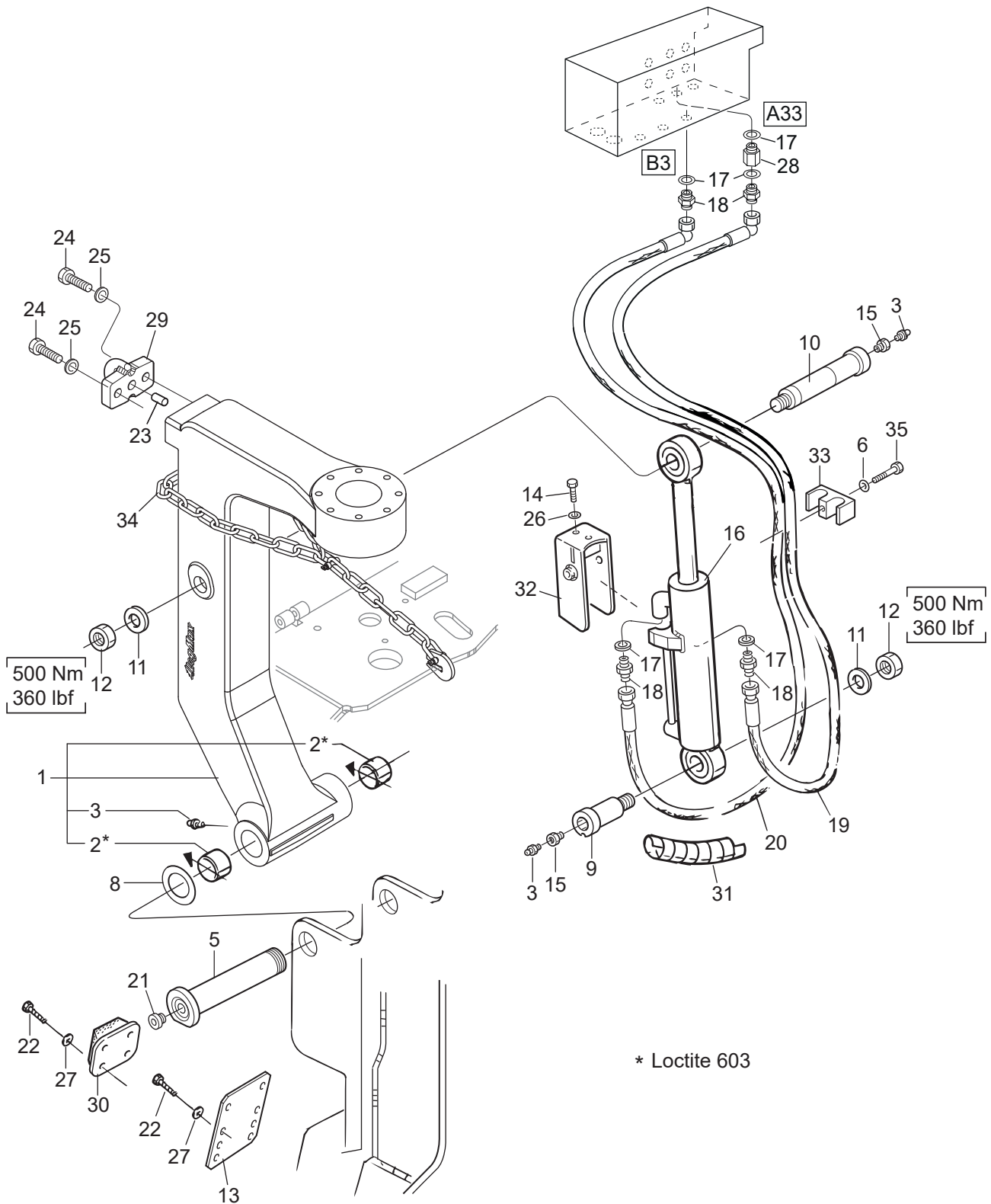
09/028

Log Max E6

Diameter measuring

Structure 049073-2				
Pos.	Part no.	Quantity	Description	Specification
1	401267	2	Shaft compl.	600 ppr
2	401226	2	Cover	
3	501034	8	Screw	MC6S M5x35
4	540039	8	O-ring	10.82x1.78
5	017634	2	Hexagon plug	
6	501109	4	Screw	MC6S M12x30 12.9
7	503060	8	Washer	M12 Nordlock
8	016716	2	Spacer	
9	501119	4	Screw	MC6S M12x100 12.9
10	016768	1	Protection plate	
11	503057	2	Washer	M10 Nordlock
12	501090	2	Screw	MC6S M10x30 12.9
13	402571	1	Cable	"20"
14	402571	1	Cable	"21"

5. Felling unit

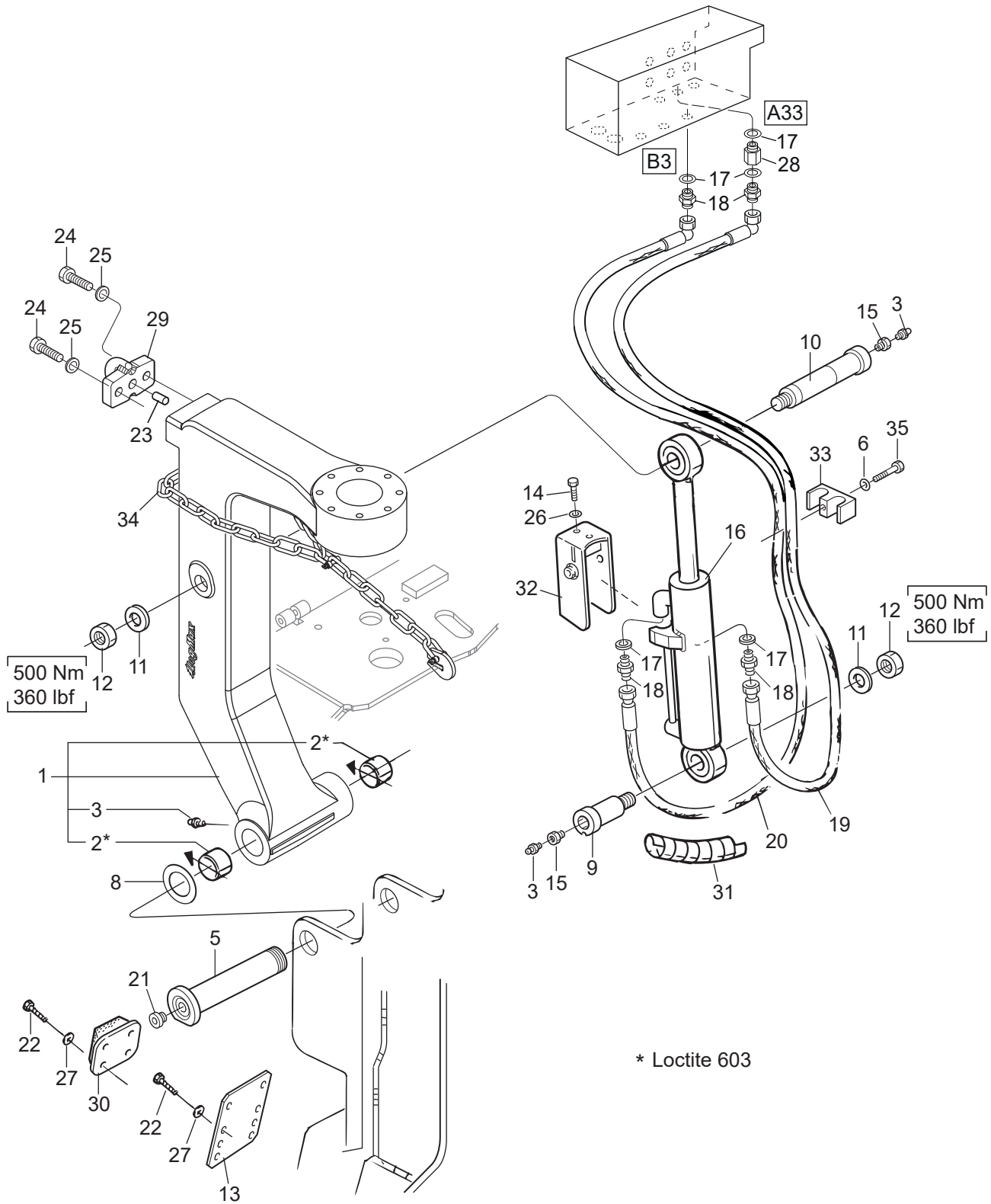


04/001

Log Max E6

Felling unit

Structure 006306				
Pos.	Part no.	Quantity	Description	Specification
1	049001	1	Felling link compl.	
2	512030	2	Bushing	60x60
3	625000	3	Grease nipple	KR 1/8" – R
5	016068	1	Pin	Ø70 L=374 mm
6	503055	1	Washer	M8 Nordlock
8	016432	Req / Erf	Shim	72x114x0.5
	015895	Req / Erf	Shim	72x114x1.0
9	015711	1	Pin	Ø52 L=159 mm
10	015710	1	Pin	Ø52 L=296 mm
11	010342	2	Washer	
12	502062	2	Nut	M24 Locking Low / Låg
13	013649	1	Cover plate	
14	500068	2	Screw	M6S M10x25 8.8 FZB
15	602030	2	Adapter	R 1/8" – KR 3/8"
16	018989	1	Cylinder	
17	601102	4	Seal ring	3/8"
18	601032	4	Coupling	R 3/8" – R 3/8"
19	646529	1	Hose 6529	
20	646530	1	Hose 6530	
21	601003	1	Hex plug	1/2"
22	500022	12	Screw	M6S M6x14 8.8 FZB
23	515030	1	Cylinder pin	25x45
24	505058	2	Screw	M6S M24x70 10.9 H.G.
25	503072	2	Washer	M24 Nordlock
26	503057	2	Washer	M10 Nordlock
27	503073	12	Washer	M6 Nordlock Wide / Stor
28	602051	1	Adaptor	R 3/8" – R 3/8" UF – IF
29	016227	1	Chain holder	
30	014377	2	Rubber damper	84x65
31	615050	1	Hose cover	1" L = 900 mm
32	015709	1	Cylinder cover	

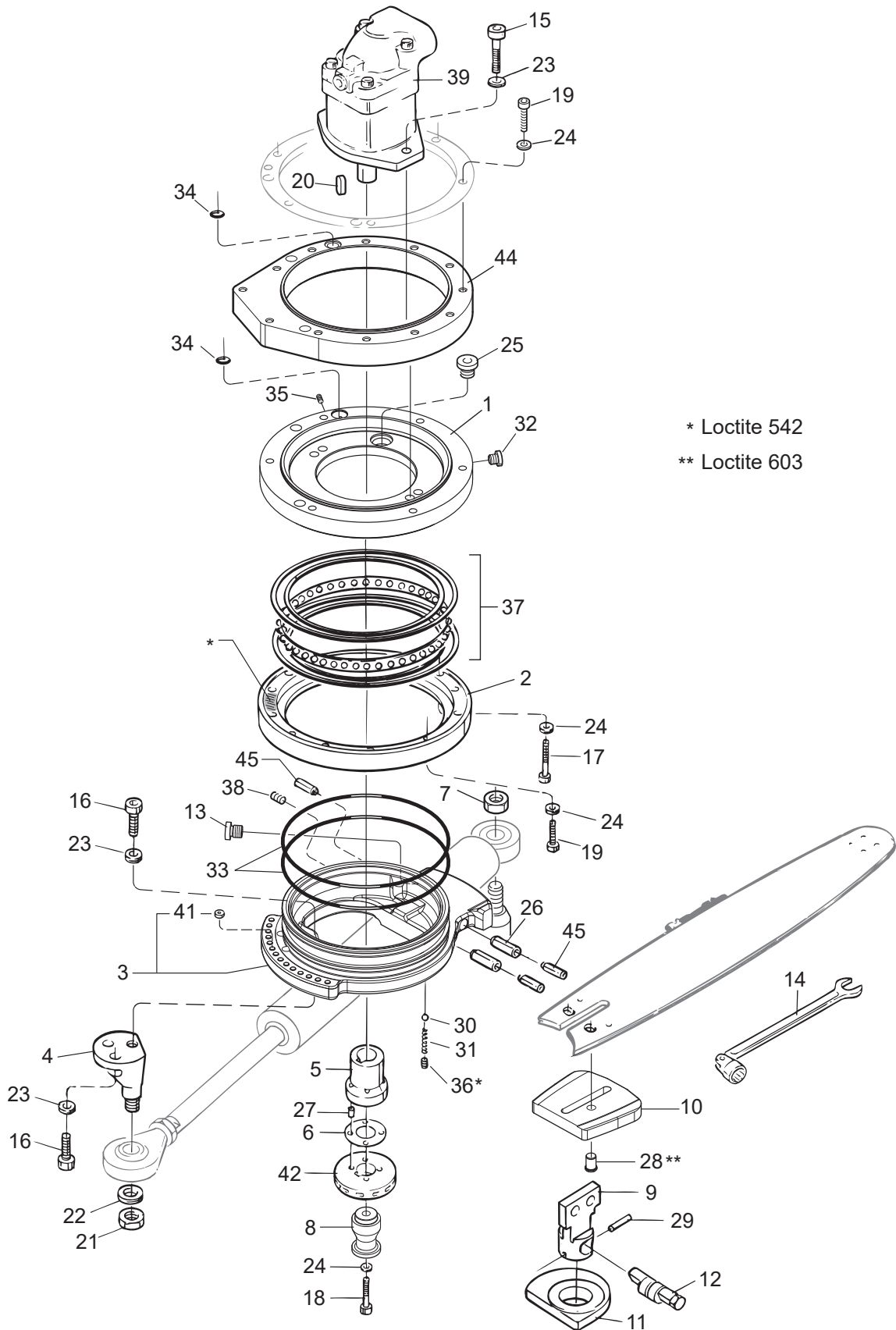


04/001

Log Max E6

Structure				
Pos.	Part no.	Quantity	Description	Specification
33	016878	1	Clamp	3/8" Ø16 mm
34	523093	1	Safety chain	
35	501073	1	Screw	MC6S M8x40 12.9

6. Saw unit

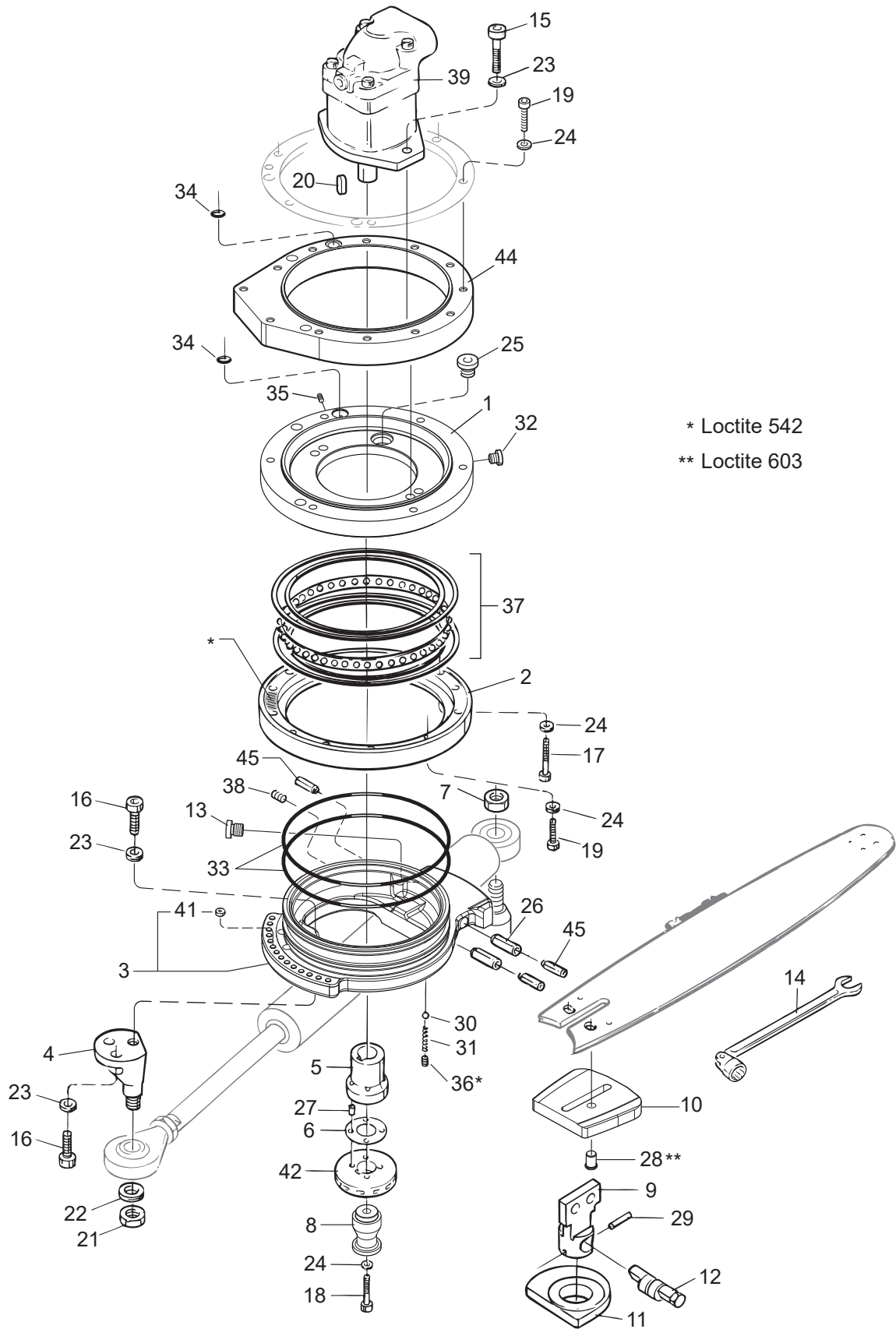


06 / 052

Log Max Säg 98B

Saw unit 98B

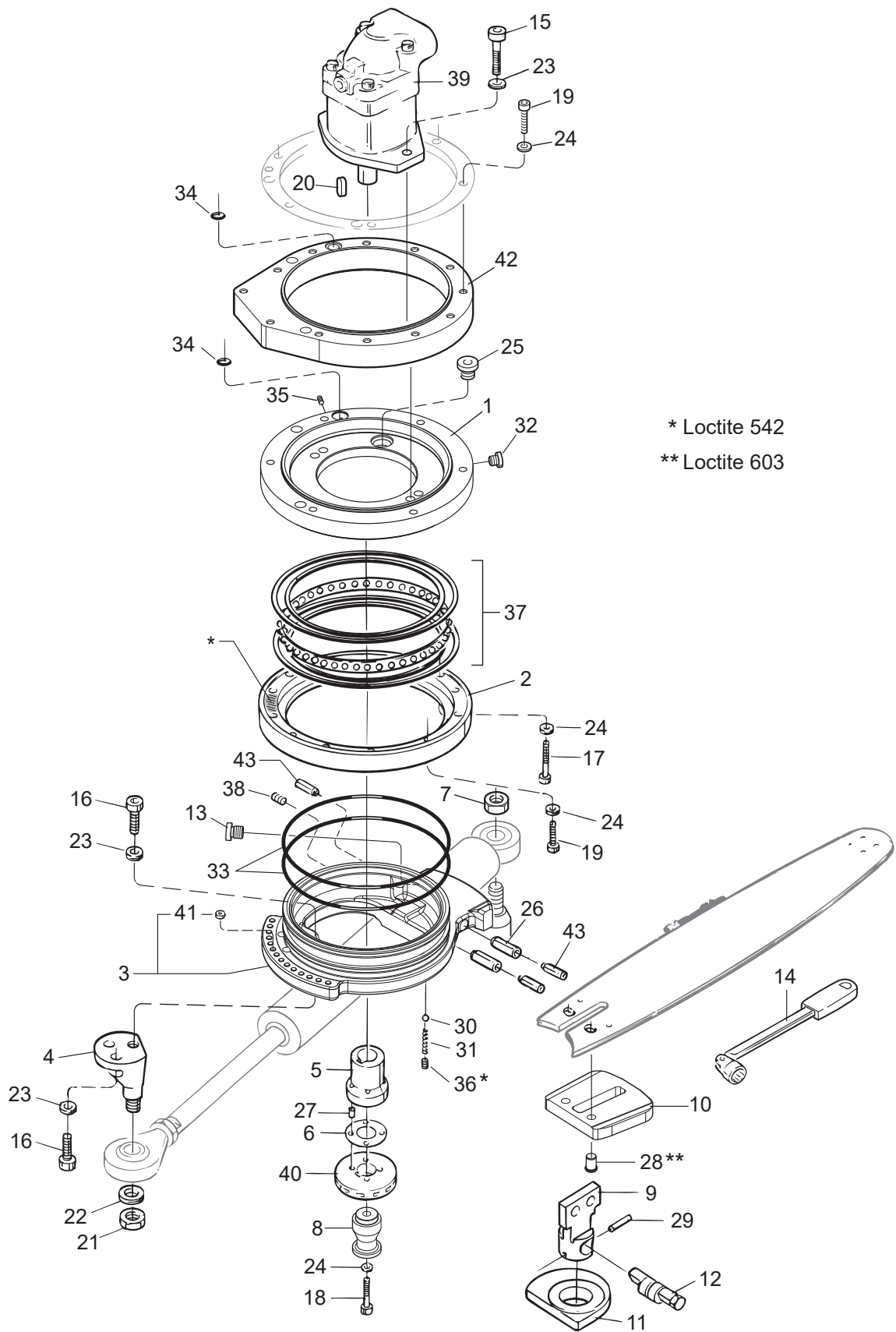
Structure 006312				
Pos.	Part no.	Quantity	Description	Specification
1	013172	1	Bracket	
2	012514	1	Cover	
3	016206	1	Saw bracket	
4	012335	1	Pin	
5	012334	1	Companion	
6	549210	Req / Erf	Shim	25 – 0.5 mm
	549211	Req / Erf	Shim	25 – 1.0 mm
7	502705	1	Nut	M16 Locking
8	012614	1	Chain catcher	
9	012518	1	Pin	
10	016935	1	Thrust plate	Wide / Bred
	016934	(1)	Thrust plate	Narrow / Smal
11	012736	1	Excenter	"M"
	012520	(1)	Excenter	"S" option
12	012519	1	Lock shaft	
13	601001	1	Hex plug	1/4" R
14	522260	1	Comb. Wrench	
15	501110	2	Screw	MC6S M12x35 12.9
16	501108	3	Screw	MC6S M12x25 12.9
17	501076	6	Screw	MC6S M8x55 12.9
18	501075	1	Screw	MC6S M8x50 12.9
19	501071	18	Screw	MC6S M8x30 12.9
20	554027	1	Key	
21	502706	1	Nut	M16 Low / Låg
22	503063	1	Washer	M16 Nordlock
23	503060	5	Washer	M12 Nordlock
24	503055	25	Washer	M8 Nordlock
25	602090	1	Plug	M22x1.5
26	515022	2	Cyl. Pin	Ø12x36
27	515010	4	Cyl. Pin	Ø 6x20
28	016774	1	Cyl. Pin	Ø 10
29	515013	1	Tension pin	6x32 FRP
30	511003	1	Steel ball	



06 / 052

Log Max Säg 98B

Structure				
Pos.	Part no.	Quantity	Description	Specification
31	526014	1	Spring	
32	602106	1	Hex plug	R 1/8" Conical / Konisk
33	543038	2	O-ring	Ø 180x3.0
34	540070	2	O-ring	Ø 13.3x2.4
35	513026	1	Screw	SK6SS 5x10
36	613017	1	Orifice	M6 – 2.5 mm
37	508100	1	Bearing unit	
38	513040	1	Screw	P6SS M6x6
39	609119	1	Saw motor	
	554232	1	Seal kit	
40	549518-064	1	Saw bar	18H 64cm
	549518-075	1	Saw bar	18H 75cm
41	549018-074	1	Saw chain	18H 74 DL
	549018-085	(1)	Saw chain	18H 85 DL
42	549103	1	Sprocket	F11-19/12
43	514051	14	Magnet	6x5
44	016522	1	Adapter plate	
45	515017	3	Tension pin	13x12 FRP

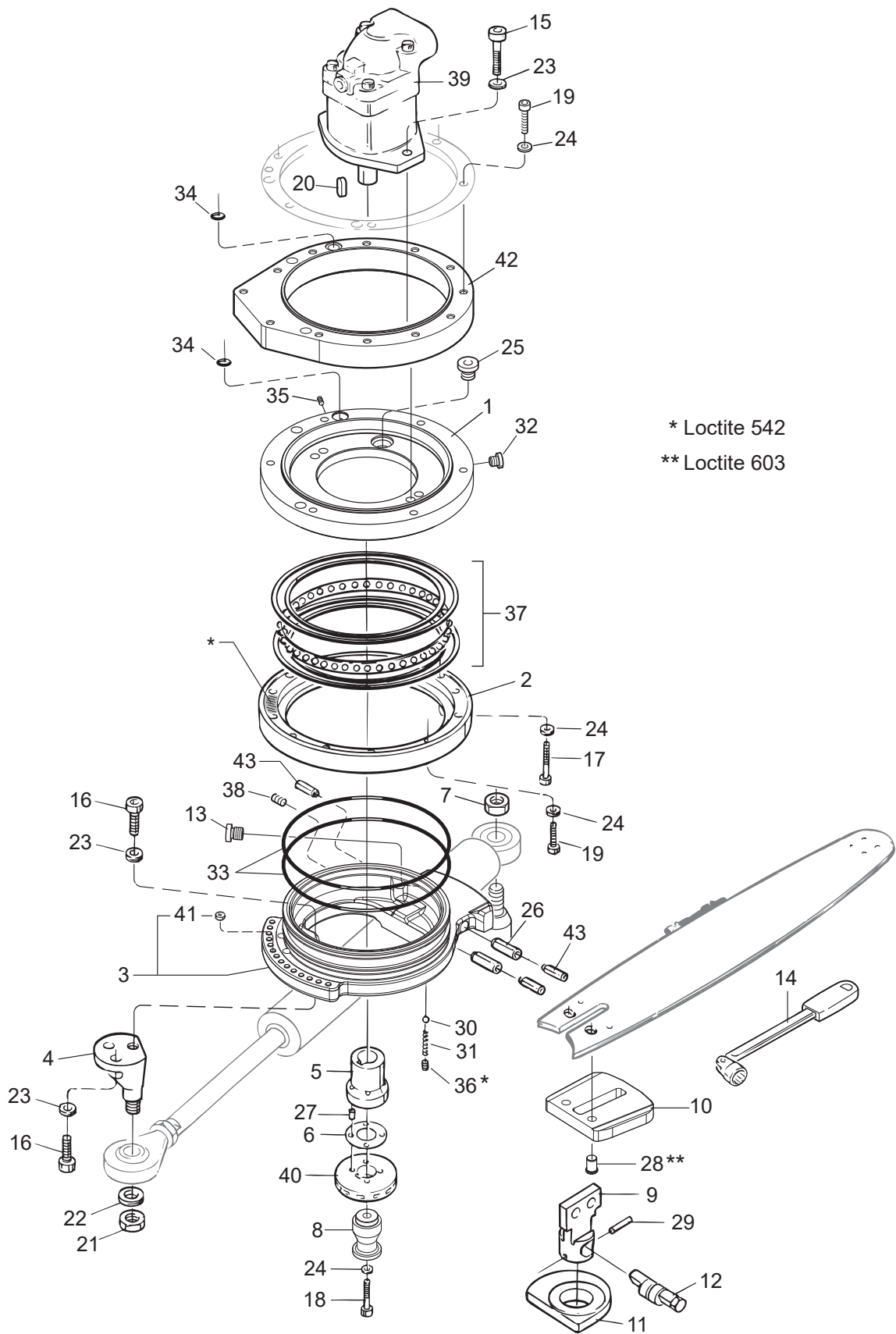


06 / 053

Log Max Säg 98XL

Saw unit 98XL

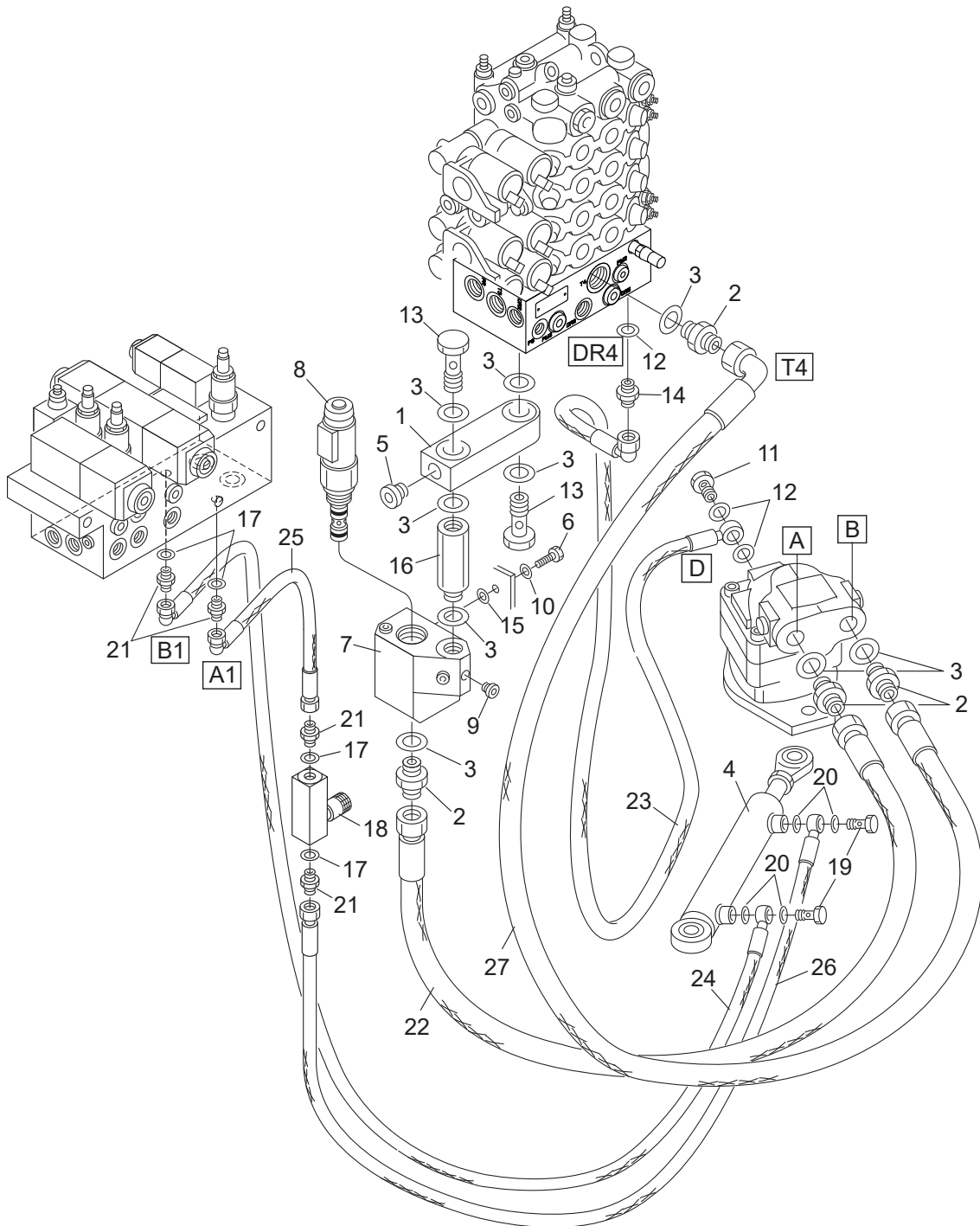
Structure 006312-2				
Pos.	Part no.	Quantity	Description	Specification
1	013172	1	Bracket	F11 – 19
2	012514	1	Cover	
3	014570	1	Saw bar bracket	
4	012335	1	Pin	
5	012334	1	Companion	F11 – 19
6	549210	Req / Erf	Shim	25 – 0.5 mm
	549211	Req / Erf	Shim	25 – 1.0 mm
7	502705	1	Nut	M16 Locking 12.9
8	012614	1	Chain catcher	F11 – 19
9	013684	1	Pin	
10	016936	1	Thrust plate	"J"
11	015256	1	Excenter	"J"
	017118	1	Excenter	"K"
12	012519	1	Lock shaft	
13	601001	1	Hex plug	R 1/4"
14	522261	1	Wrench	16 mm
15	501110	2	Screw	MC6S M12x35 12.9
16	501108	3	Screw	MC6S M12x25 12.9
17	501076	6	Screw	MC6S M8x55 12.9
18	501075	1	Screw	MC6S M8x50 12.9
19	501071	18	Screw	MC6S M8x30 12.9
20	554027	1	Pin key	F11 – 19
21	502706	1	Nut	M16
22	503063	1	Washer	M16 Nordlock
23	503060	5	Washer	M12 Nordlock
24	503055	25	Washer	M8 Nordlock
25	602090	1	Plug	M22x1.5
26	515022	2	Cylinder pin	Ø 12x36
27	515010	4	Cylinder pin	Ø 6x20
28	016774	2	Cylinder pin	Ø 10
29	515013	1	Tension pin	6x32 FRP
30	511003	1	Steel ball	
31	526014	1	Spring	



06 / 053

Log Max Säg 98XL

Structure				
Pos.	Part no.	Quantity	Description	Specification
32	602106	1	Plug	R 1/8" Conical / Konisk
33	543038	2	O-ring	Ø 180.0x3.0
34	540070	2	O-ring	Ø 13.3x2.4
35	513026	1	Screw	SK6SS 5x10
36	613017	1	Orifice	M6 – 2.5 mm
37	508100	1	Bearing unit	
38	513040	1	Screw	P6SS M6x6
39	609119	1	Saw motor	F11 – 19
	554232	1	Seal kit	F11 – 19
40	549103	1	Sprocket	F11 – 19/12
41	514051	14	Magnet	
42	016522	1	Adapter plate	
43	515017	3	Cylinder pin	13x12 FRP

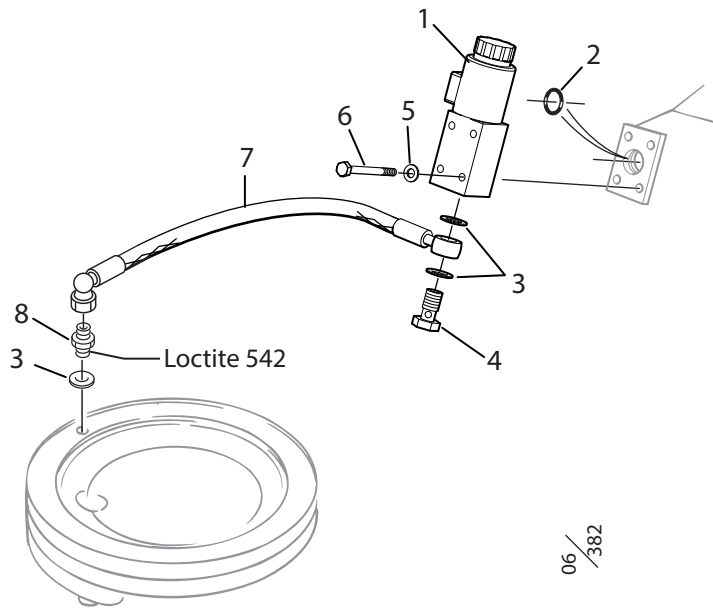


06 / 026

Log Max E6

Saw hydraulics

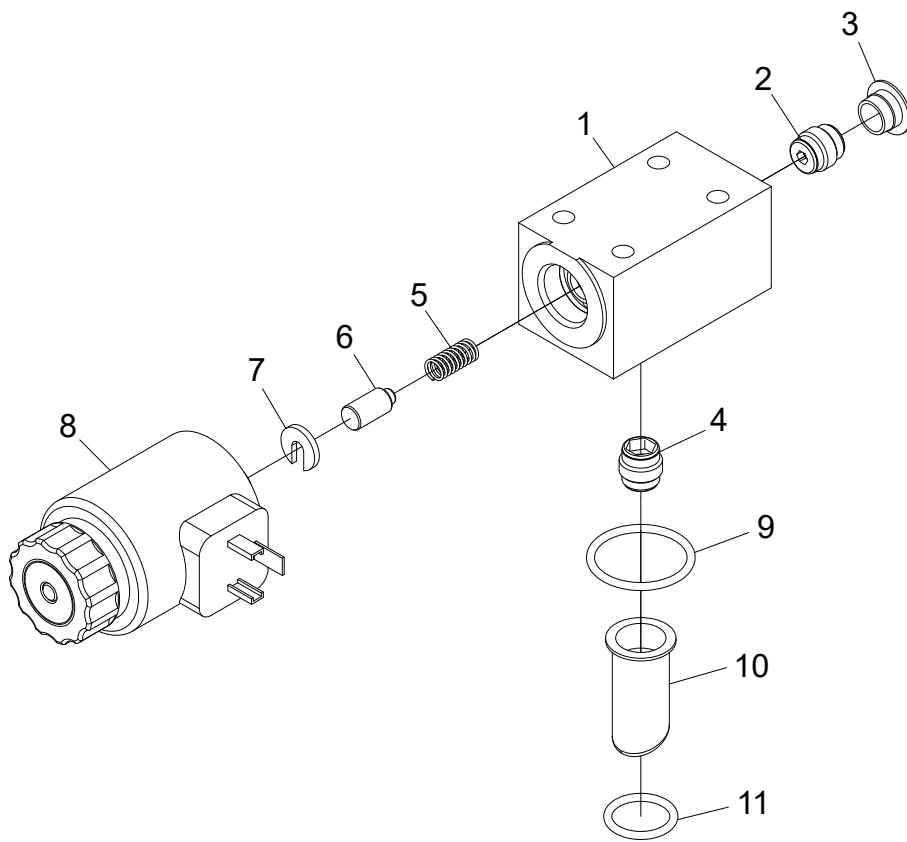
Structure 006310, 006311, 006312				
Pos.	Part no.	Quantity	Description	Specification
1	017486	1	Banjo link	3/4"
2	601040	4	Coupling	R 3/4" UF – R 3/4" UF
3	601104	9	Seal ring	3/4"
4	015669	1	Cylinder	Ø 40/25 – 106
5	601003	1	Hex plug	1/2" R
6	500071	1	Screw	M6S M10x40 8.8 FZB
7	016726	1	Manifold	
8	612062	1	Saw valve	
	620355	1	Seal kit	
	613057	1	Solenoid	
9	601001	1	Hex plug	1/4" R
10	503075	1	Washer	M10 Nordlock Wide / Stor
11	601061	1	Banjo bolt	3/8" R
12	601102	3	Seal ring	3/8"
13	601067	2	Banjo bolt	3/4"
14	601032	1	Coupling	R 3/8" – R 3/8"
15	014117-14	1	Spacer	14 mm
16	013816	1	Adaptor	IF 3/4" – UF 3/4"
17	601101	4	Seal ring	1/4"
18	617045	1	Restrictor valve	
19	601060	2	Banjo bolt	R 1/4"
20	601200	4	Seal ring	13x19x1.5
21	601028	4	Coupling	R 1/4" UF – R 1/4" UF
22	646539	1	Hose 6539	
23	646542	1	Hose 6542	
24	646551	1	Hose 6551	
25	646552	1	Hose 6552	
26	646553	1	Hose 6553	
27	646565	1	Hose 6565	



Log Max 5/6/7000

Chain lubrication - Easy Greasy

Structure 006309-3				
Pos.	Part no.	Quantity	Description	Specification
1	10003110	1	Pump cmpl	
2	540074	1	O-ring	Ø 17.3x2.4
3	601101	3	Seal ring	1/4"
4	601060	1	Banjo bolt	R 1/4"
5	503065	4	Washer	M6 Nordlock
6	500029	4	Screw	M6S M6x45 8.8 FZB
7	646555	1	Hose 6555	
8	014092	1	Coupling	G 1/4"



Easy Greasy pump

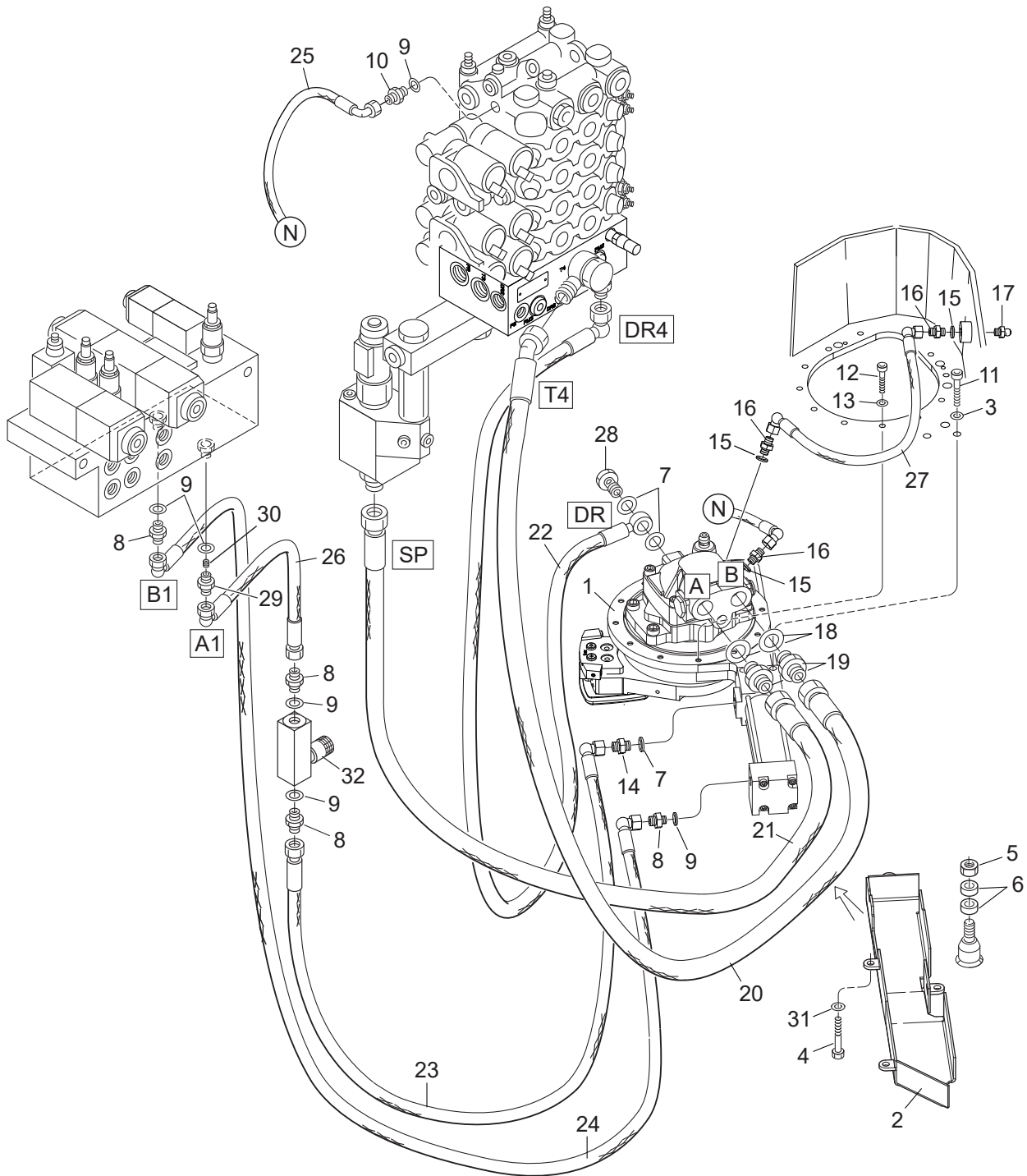
Structure 10003110				
Pos.	Part no.	Quantity	Description	Specification
1	016282	1	Pump housing	
2	617048	1	Check valve	1,5 bar
3	522002	1	Plug	KS15 (G1/4)
4	617016	1	Check valve	0,05-0,07 bar
5	526005	1	Spring	
6	010897	1	Piston	0,20 ccm
7	016426	1	Spacer	
8	613062	1	Solenoid	24V
9	543012	1	O-ring	Ø27,6x2,4
10	620302	1	Filter	
11	540074	1	O-ring	Ø17,3x2,4

Saw bar and chain, Saw 98B

Structure				
Pos.	Part no.	Quantity	Description	Specification
	549518-064		Saw bar	Z=12, L=640mm
	549518-075		Saw bar	Z=12, L=750mm
	549018-074		Saw chain	74E
	549018-085		Saw chain	85E

Saw bar and chain, Saw 98XL

Structure				
Pos.	Part no.	Quantity	Description	Specification
	549518-175		Saw bar	Z=12, L=750mm
	549018-086		Saw chain	86E

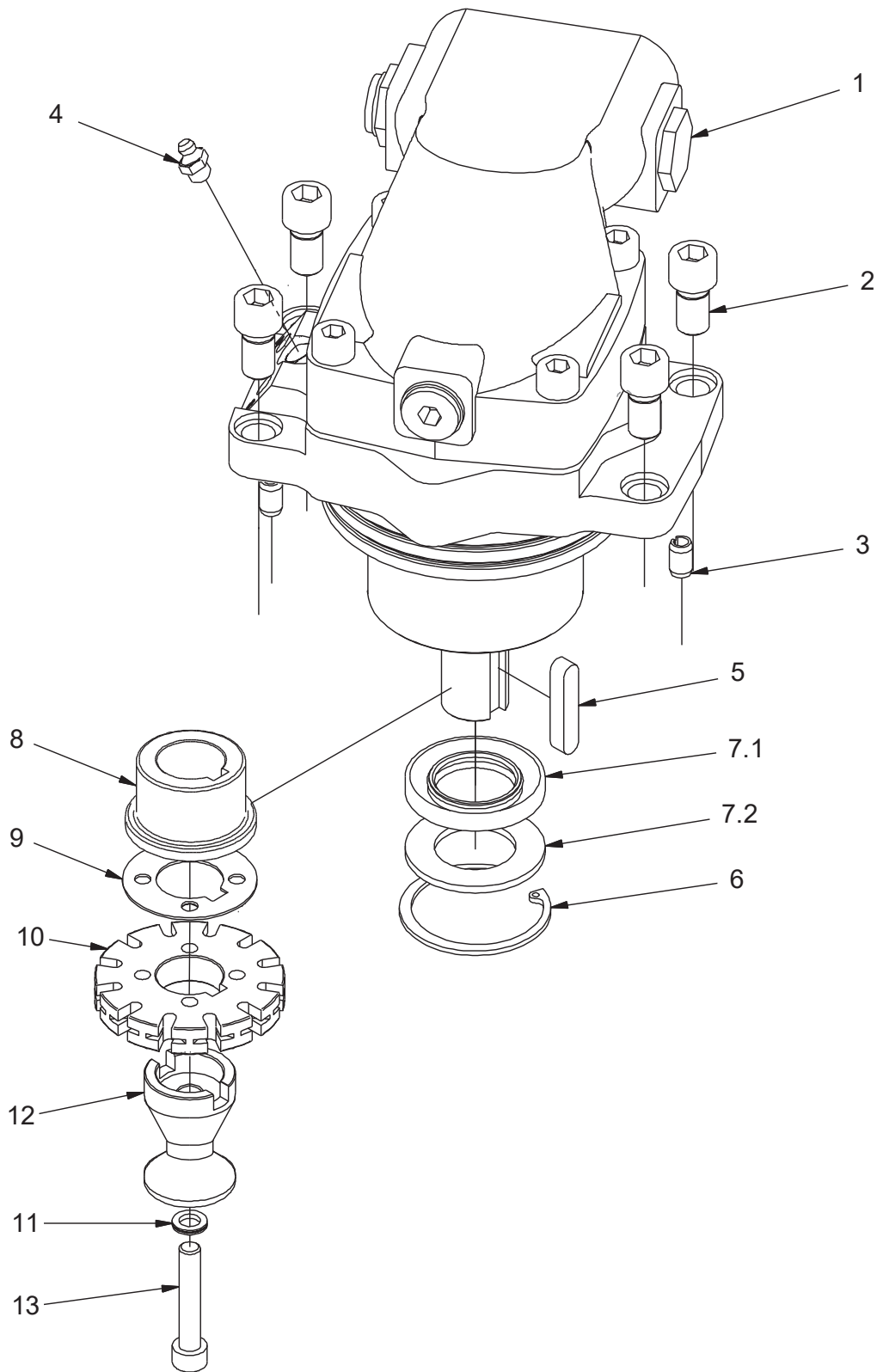


10 / 024

Log Max E6 SuperCut

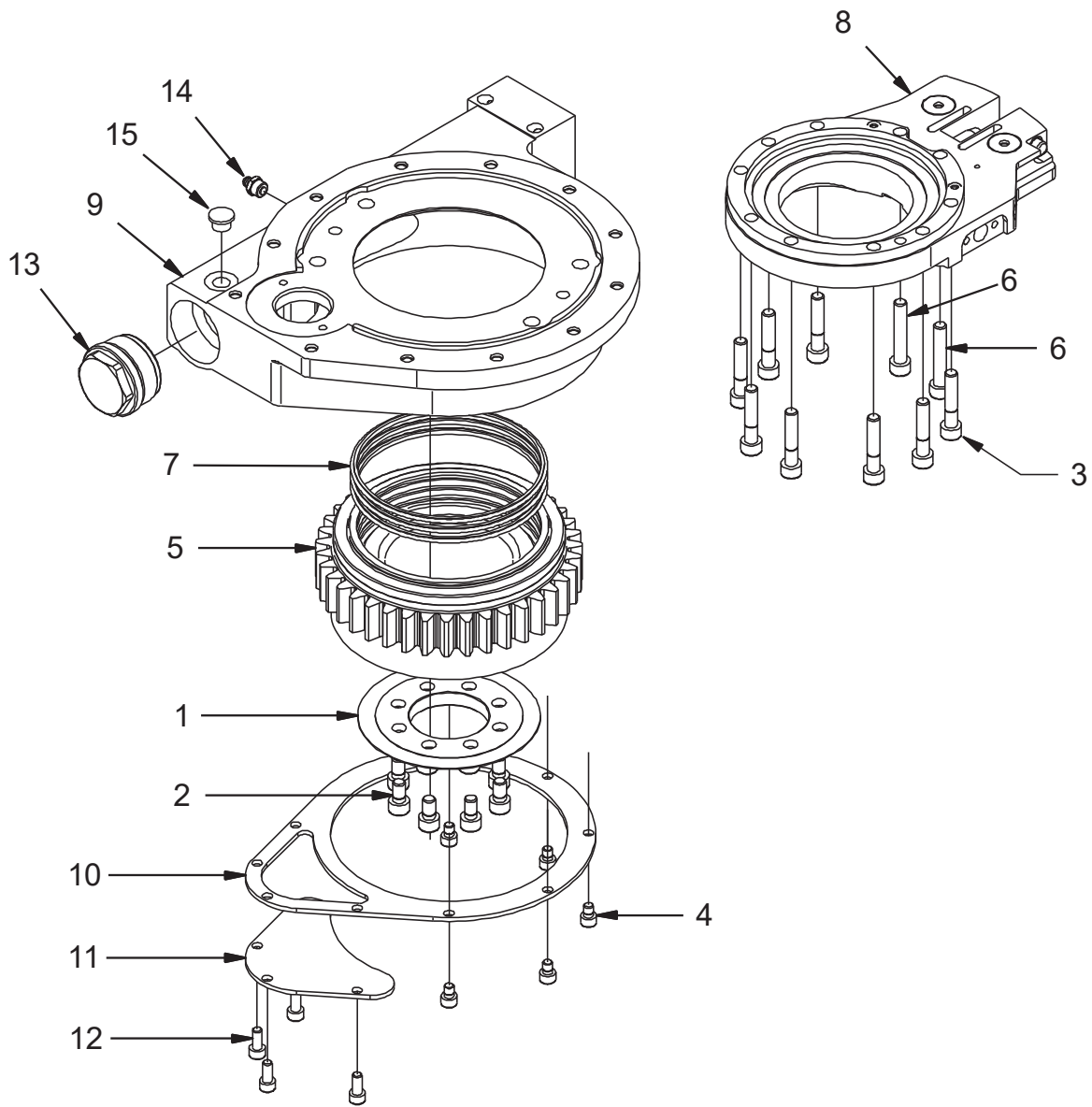
Saw unit F11-19

Structure 049068-500, 049069-500				
Pos.	Part no.	Quantity	Description	Specification
1	609098	1	Supecut cmpl.	
2	016714	1	Hose cover	
3	503057	2	Washer	M10 Nordlock
4	500042	4	Screw	M6S M8x16 8.8 FZB
5	502705	1	Nut	M16 Locking Low / Låg
6	016536	1	Sleeve	
7	601102	3	Seal ring	3/8"
8	601029	4	Coupling	1/4" - 3/8"
9	601101	6	Seal ring	1/4"
10	601028	1	Coupling	1/4"
11	501092	2	Screw	MC6S M10x40 12.9
12	501071	12	Screw	MC6S M8x30 12.9
13	503055	12	Washer	M8 Nordlock
14	601032	1	Coupling	R 3/8" – R 3/8"
15	601100	4	Seal ring	1/8"
16	601025	3	Coupling	R 1/8" UF – R 1/8" UF
17	625000	1	Grease nipple	KR 1/8" R
18	601104	2	Seal ring	3/4"
19	601040	2	Coupling	R 3/4" UF – R 3/4" UF
20	646565	1	Hose 6565	
21	646539	1	Hose 6539	
22	646542	1	Hose 6542	
23	646554	1	Hose 6554	
24	646535	1	Hose 6535	
25	646559	1	Hose 6559	
26	646536	1	Hose 6536	
27	646538	1	Hose 6538	
28	601061	1	Banjo screw	3/8"
29	620314	1	Restrictor	M6x1,5, 1/4" - 3/8"
30	613016	1	Orifice	M6x1,5
31	503074	4	Washer	M8 Nordlock
32	617045	1	Restrictor valve	



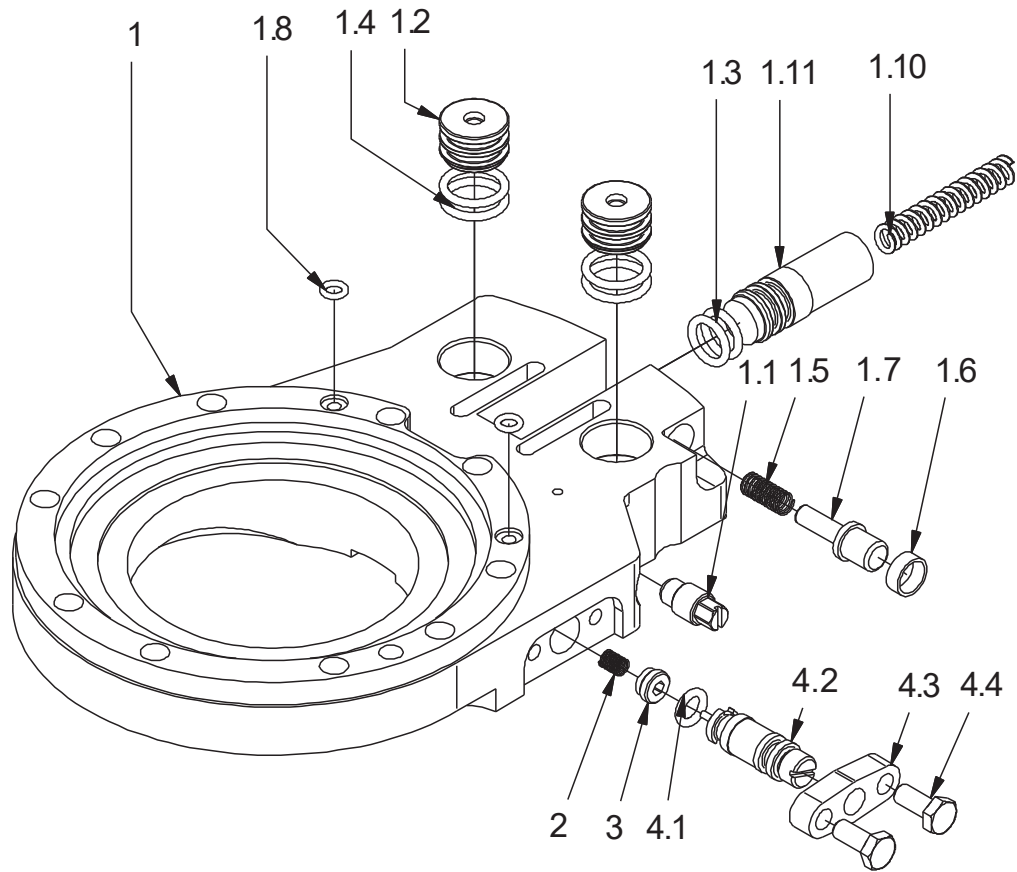
Saw motor

Structure 554273				
Pos.	Part no.	Quantity	Description	Specification
1	609108	1	Saw motor	F11-19
2	501131	4	Screw	MC6S M12x22 12.9
3	515029	2	Tension pin	FRP 8x14 DIN 1481
4	625007	1	Grease nipple	M10
5	554077	1	Key	
6	517245	1	Lock ring	SGH 52
7	554232	1	Seal kit	
7.1	- 1	1	Shaft seal	
7.2	- 1	1	Backup ring	
8	554156	1	Spacer	
9	549210	1	Shim	25 – 0.5mm
9	549211	1	Shim	25 – 1.0mm
10	549103	1	Sprocket	F11-19/12
11	503055	1	Washer	M8 Nordlock
12	554157	1	Chain catcher	
13	501075	1	Screw	MC6S M8x50 12.9



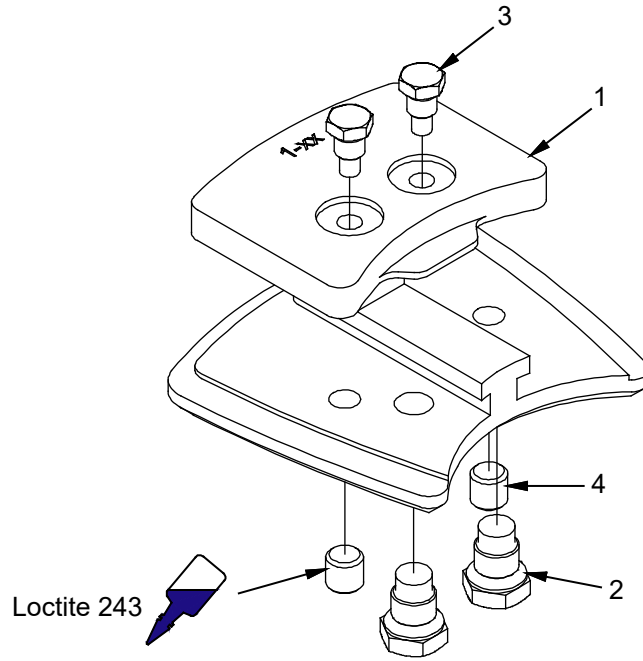
Housing

Structure 554272				
Pos.	Part no.	Quantity	Description	Specification
1	554149	1	Washer	
2	501066	8	Screw	MC6S M8x14 12.9
3	501073	8	Screw	MC6S M8x40 12.9
4	501041	5	Screw	MC6S M6x8 12.9
5	554150	1	Bearing	
6	501074	2	Screw	MC6S M8x45 12.9
7	554111	1	Seal kit	Svivel / Svivel
8	554110	1	Tension device	
9	554151	1	Housing	
10	554152	1	Plate	
11	554153	1	Plate	
12	501044	4	Screw	MC6S M6x14 12.9
13	554154	1	Plug	M45
14	625007	1	Grease nipple	M10



Tension device

Structure 554110				
Pos.	Part no.	Quantity	Description	Specification
1	554110	1	Tension unit compl.	
1.1	554115	1	Bleeder screw	
1.2	554116	2	Piston	20 mm
1.3	554117	2	O-ring	11.3x2.4
1.4	540072	4	O-ring	15.3x2.4
1.5	554119	1	Compression spring	
1.6	554120	1	Sleeve	
1.7	554121	1	Locking pin	
1.8	554122	2	O-ring	4.76x1.78
1.10	554124	1	Compression spring	
1.11	554133	1	Piston	
2	554129	1	Compression spring	
3	554258	1	Check valve	
4	554259	1	Pilot Valve compl.	
4.1	540064	1	O-ring	7.3x2.4
4.2	554260	1	Valve	
4.3	554261	1	Plate	
4.4	501044	2	Screw	MC6S M6x14 12.9

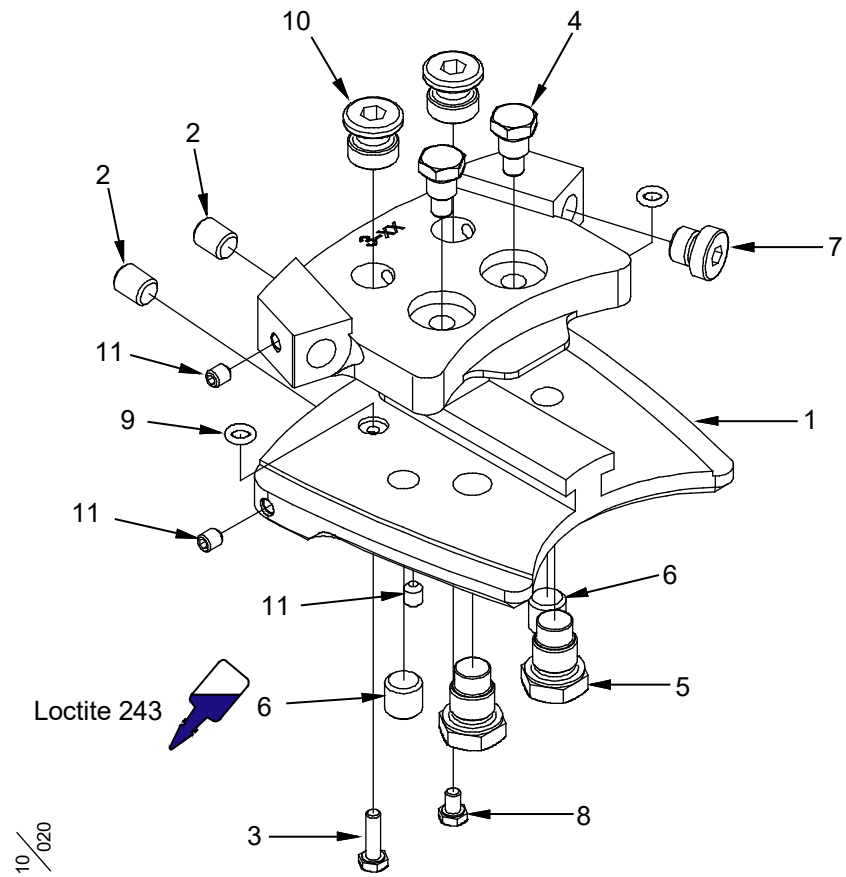


10 / 019

Log Max Supercut - Bar holder #1

Bar holder #1 STD

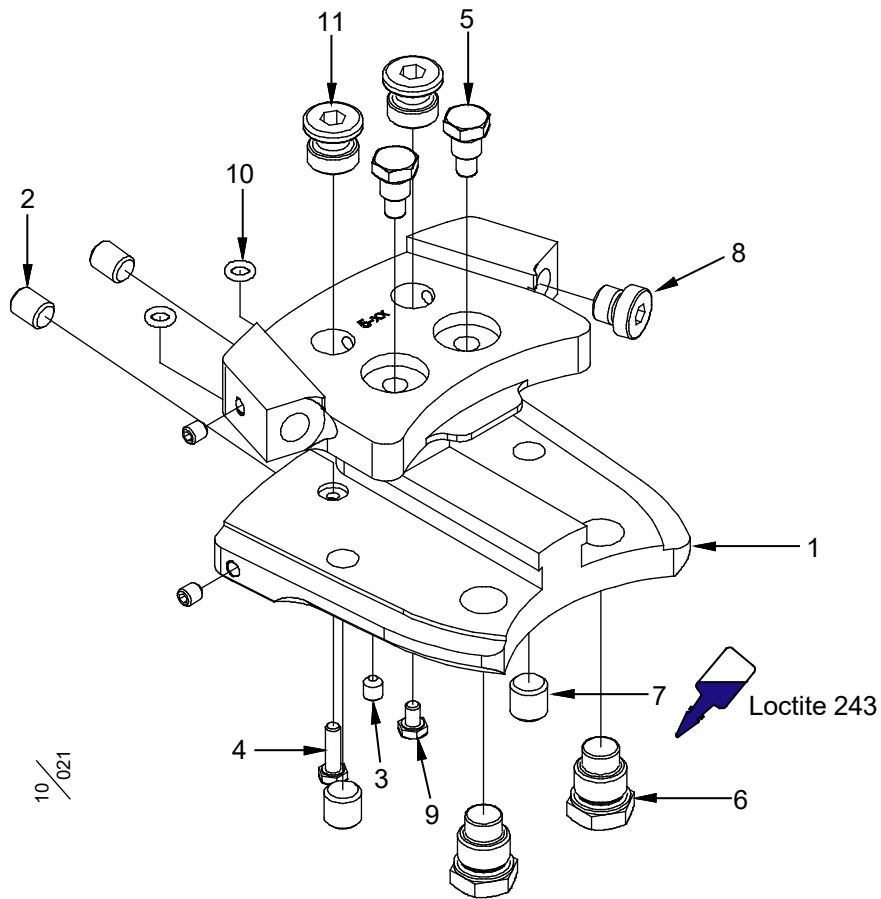
Structure 554172				
Pos.	Part no.	Quantity	Description	Specification
1	554175	1	Bar holder	
2	554185	2	Guide screw	M12
3	554146	2	Guide screw	
4	513044	2	Socket set screw	P6SS M10x10



Log Max Supercut - Bar holder #3

Bar holder #3

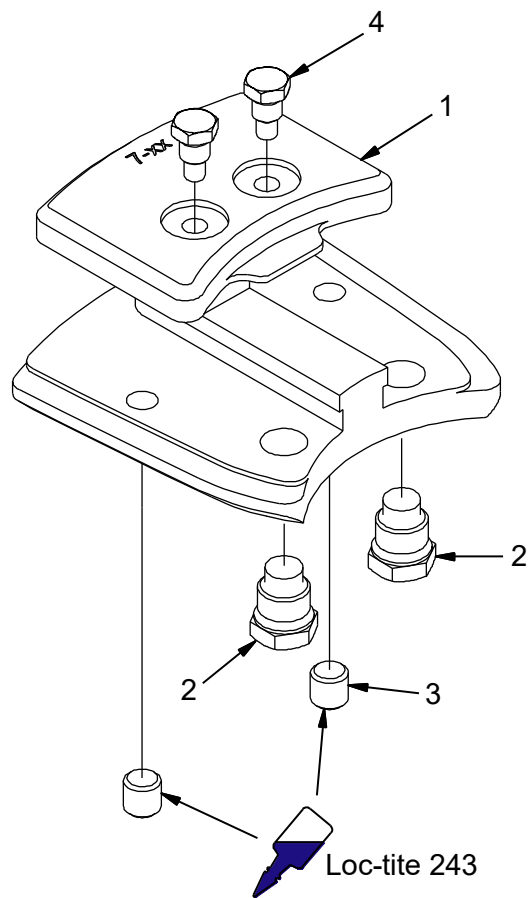
Structure 554173				
Pos.	Part no.	Quantity	Description	Specification
1	554176	1	Bar holder	
2	513043	2	Socket set screw	P6SS M8x10
3	500003	1	Screw	M6S M4x14 8.8 FZB
4	554146	2	Guide screw	
5	554185	2	Guide screw	
6	513044	2	Socket set screw	P6SS M10x10
7	601000	1	Hex plug	1/8" R
8	500002	1	Screw	M6S M4x6 8.8 FZB
9	554122	2	O-ring	4.76x1.78
10	554186	2	Plug	
11	513015	3	Socket set screw	P6SS M5x6



Log Max Supercut - Bar holder #5

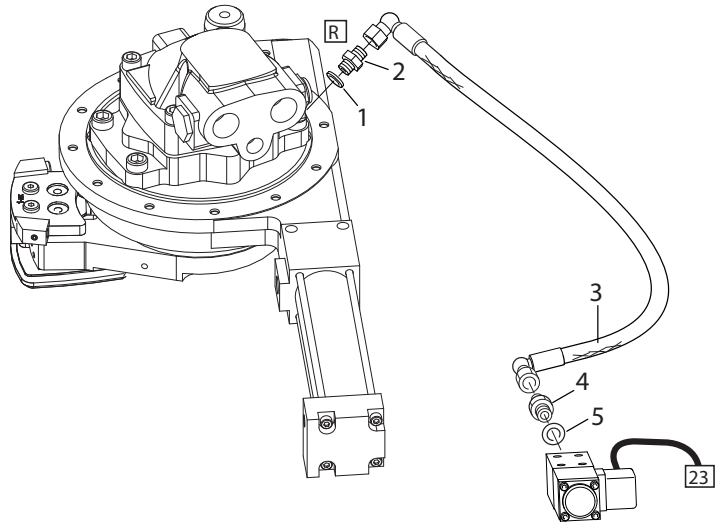
Bar holder #5

Structure 049081, 554171				
Pos.	Part no.	Quantity	Description	Specification
1	554177	1	Bar holder	
2	513043	2	Socket set screw	P6SS M8x10
3	513015	3	Socket set screw	P6SS M5x6
4	500003	1	Screw	M6S M4x14 8.8 FZB
5	554146	2	Guide screw	
6	554147	2	Guide screw	
7	513044	2	Socket set screw	P6SS M10x10
8	601000	1	Hex plug	1/8" R
9	500002	1	Screw	P6SS M4x6 8.8 FZB
10	554122	2	O-ring	4.76x1.78
11	554186	2	Plug	



Bar holder #7

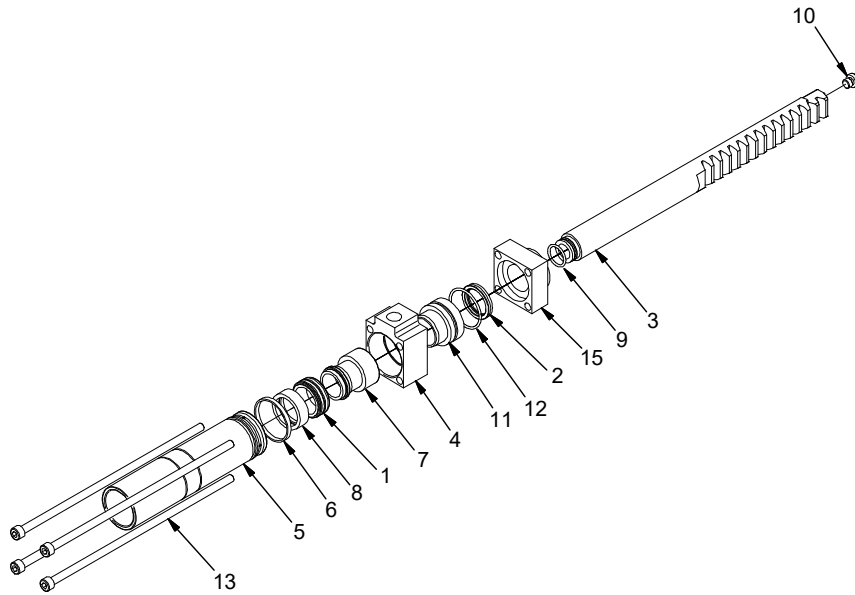
Structure 554170				
Pos.	Part no.	Quantity	Description	Specification
1	554170	1	Bar holder compl.	
2	554147	2	Guide screw	
3	513044	2	Stop screw	P6SS M10x10
4	554146	2	Guide screw	



06/
386

Chain lubrication

Structure				
Pos.	Part no.	Quantity	Description	Specification
1	601100	1	Seal ring	1/8"
2	601025	1	Adaptor	R 1/8" UF – R 1/8" UF
3	646537	1	Hose 6537	
4	601026	1	Coupling	R 1/8" UF – R 1/4" UF
5	601101	1	Seal ring	1/4"

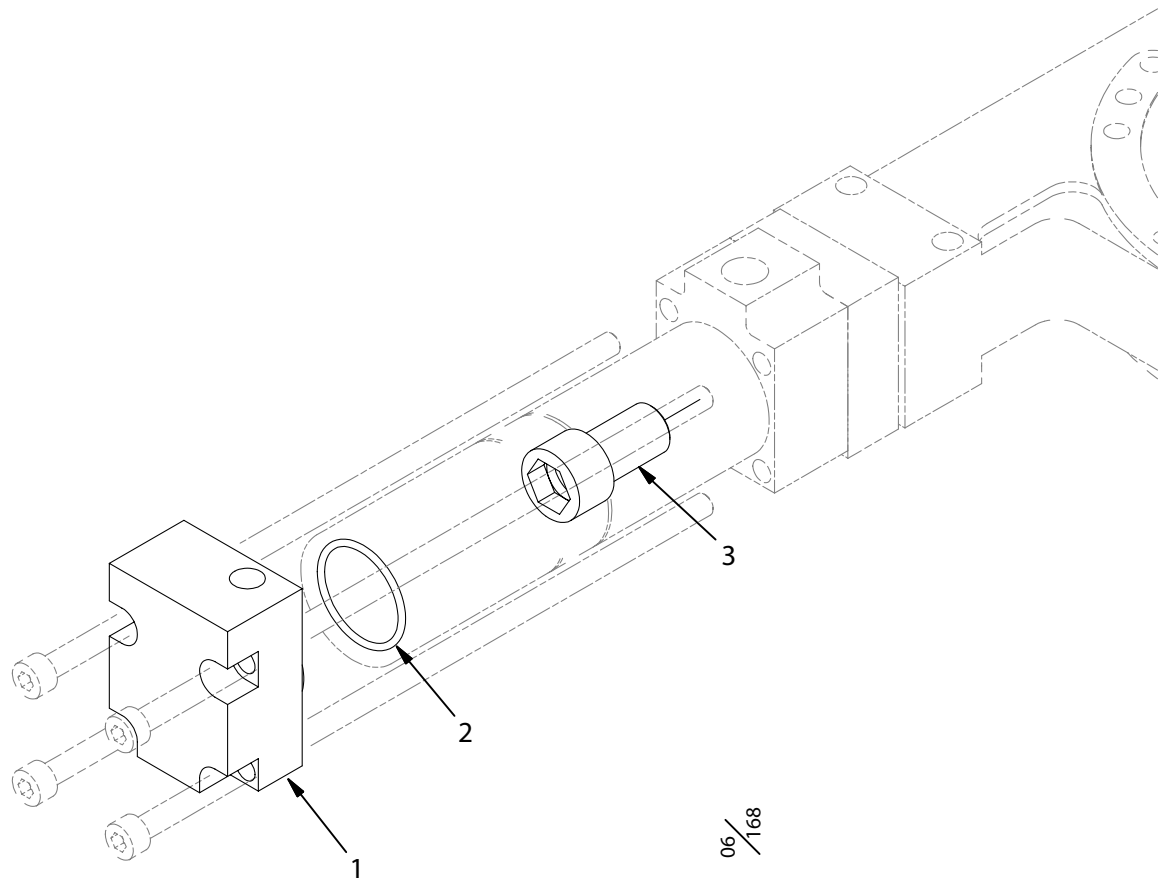


06/166

Log Max Supercut

Cylinder

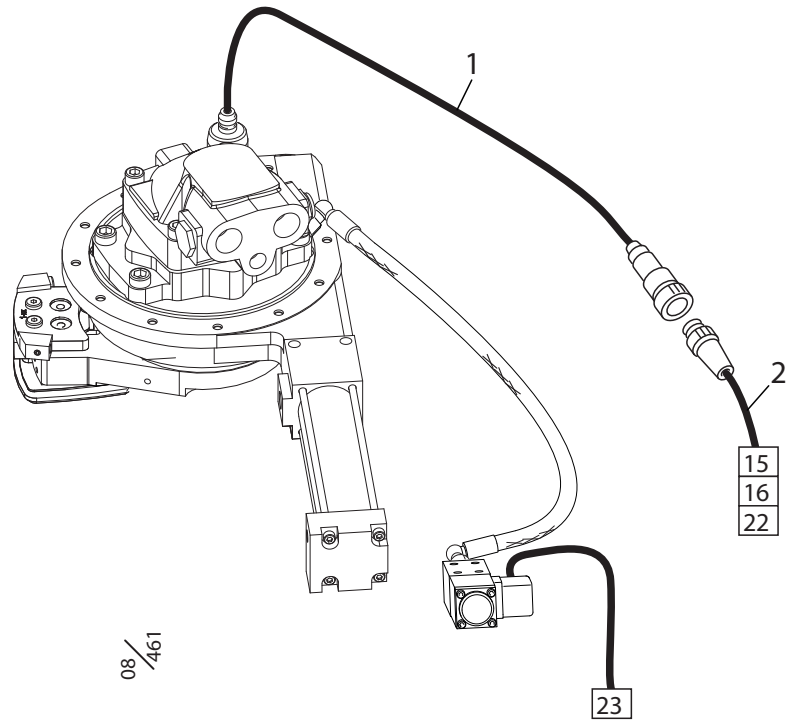
Structure 554274				
Pos.	Part no.	Quantity	Description	Specification
1	554100	1	Piston seal	
2	554101	1	Rod seal	
3	554106	1	Piston rod	
4	554158	1	Connection	
5	554159	1	Barrel	95
6	554102	1	Seal	
7	554107	1	Piston	
8	554103	1	Guide ring	
9	543021	1	O-ring	20.3x2.4
10	554163	1	Plug	
11	554160	1	Cylinder nut	
12	554105	1	O-ring	40.6x2.4
13	554162	4	Screw	MC6S M8x260 12.9
15	554161	1	Spacer	



Log Max Supercut

Cylinder connection, rear

Structure 554275				
Pos.	Part no.	Quantity	Description	Specification
1	554164	1	Manifold	
2	554126	1	O-ring	34.5x2.4
3	554165	1	Screw	

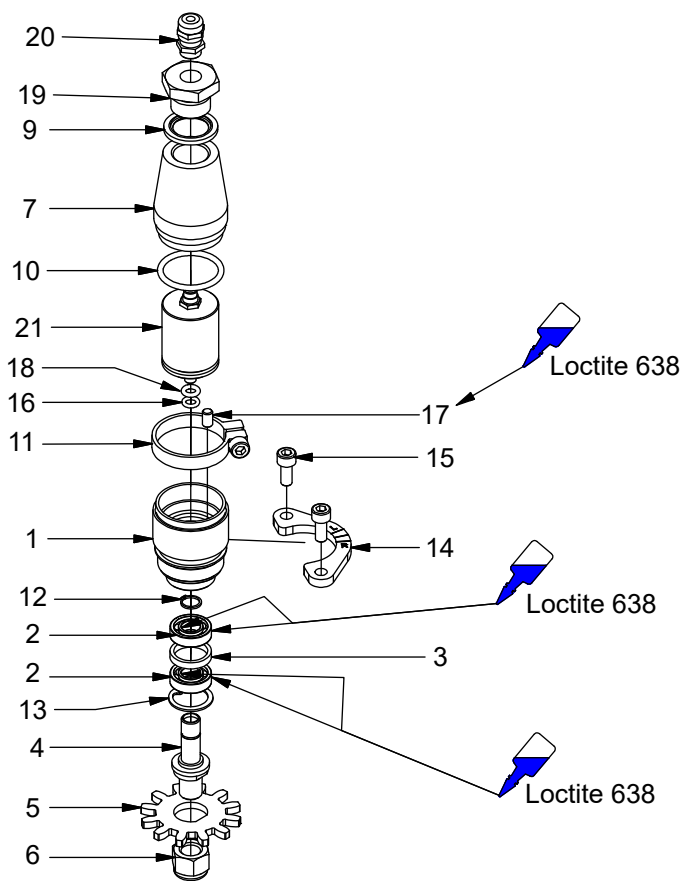


08 / 461

Log Max 5000/6000 SuperCut - Log Mate 500, Dasa Forester

Electrical system, saw unit

Structure 049068-500, 049069-500				
Pos.	Part no.	Quantity	Description	Specification
1	032169	1	Cable cml.	
2	017341	1	Cable	

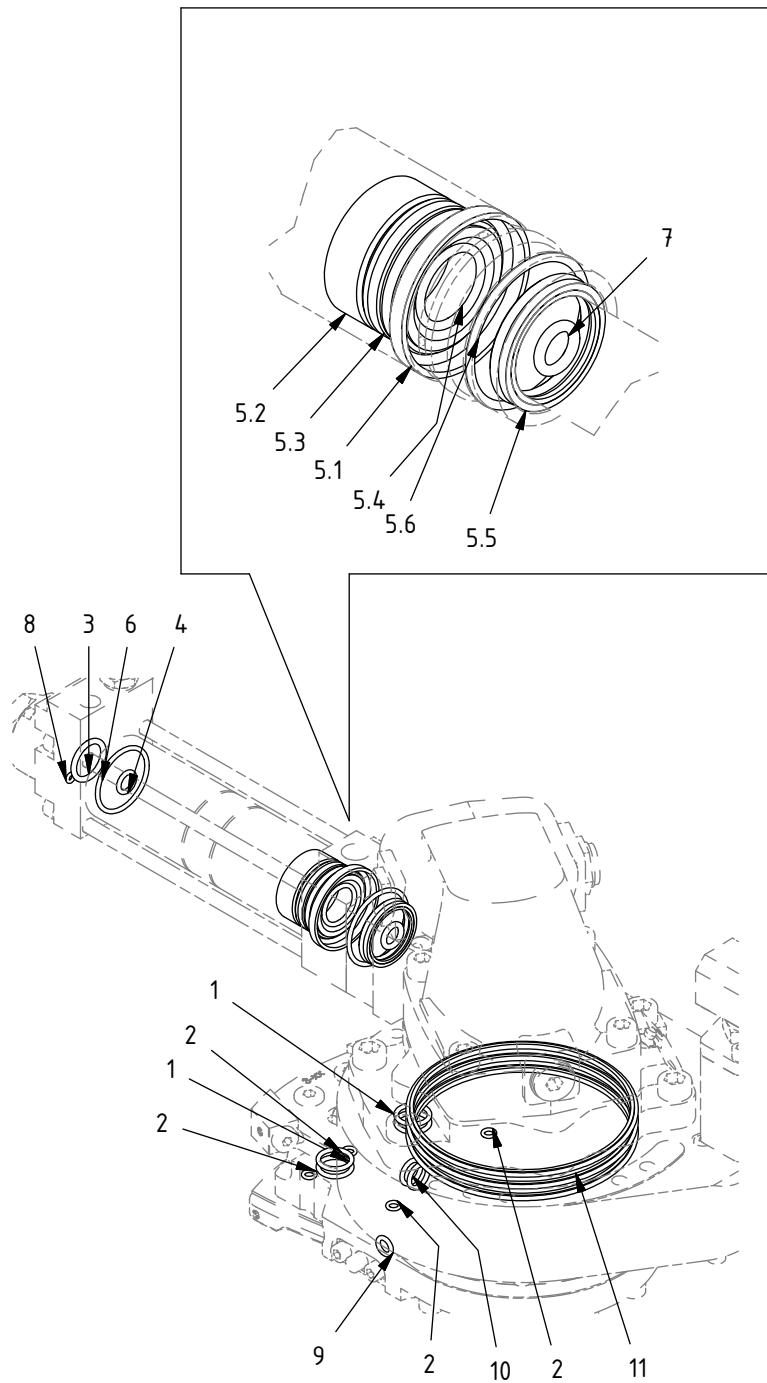


10 / 011

Log Max Supercut

Encoder

Structure 554276				
Pos.	Part no.	Quantity	Description	Specification
1	554262	1	Encoder housing	
2	508052	2	Bearing	61900 2RS
3	554263	1	Spacer	
4	554264	1	Shaft	
5	554137	1	Sprocket	
6	502057	1	Nut	M12 Locking
7	554265	1	Cover	
9	601103	1	Seal ring	1/2"
10	540119	1	O-ring	29.2x3.0
11	554168	1	Clamp	
12	554266	1	Circlip	SGA 10
13	554267	1	Circlip	SGH 22
14	554166	1	Holder	
15	501044	2	Screw	MC6S M6x14 12.9
16	554268	1	O-ring	5.5x2.0
17	554269	1	Guide pin	
18	540062	1	O-ring	5.3x2.4
19	017921	1	Adapter	G 1/2" UF – PG 7
20	401060	1	Cable sleeve	PG 7
21	554138	1	Encoder	17 ppr

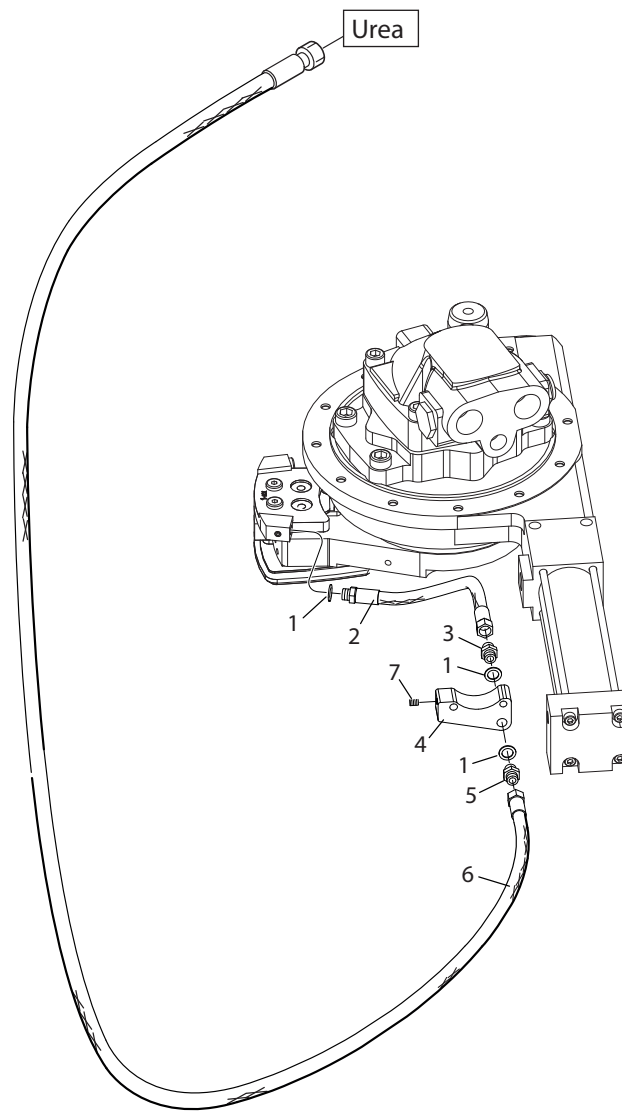


10/012

Log Max Supercut

Seal kit

Structure 554112				
Pos.	Part no.	Quantity	Description	Specification
1	540072	4	O-ring	15.3x2.4
2	554122	4	O-ring	4.76x1.78
3	540115	1	O-ring	19.2x3.0
4	540066	1	O-ring	9.3x2.4
5	554191	1	Seal kit	
5.1	554102	1	Seal	
5.2	554103	1	Guide ring	
5.3	554100	1	Piston seal	
5.4	543021	1	O-ring	20.3x2.4
5.5	554101	1	Rod seal	
5.6	554105	1	O-ring	40.6x2.4
6	554126	1	O-ring	34.5x2.4
7	554131	1	O-ring	10x3
8	554132	1	O-ring	2.9x1.78
9	540064	1	O-ring	7.3x2.4
10	554117	1	O-ring	11.3x2.4
11	554111	1	Seal kit	Svivel



06/
385

Log Max 5000/6000 SuperCut-Urea

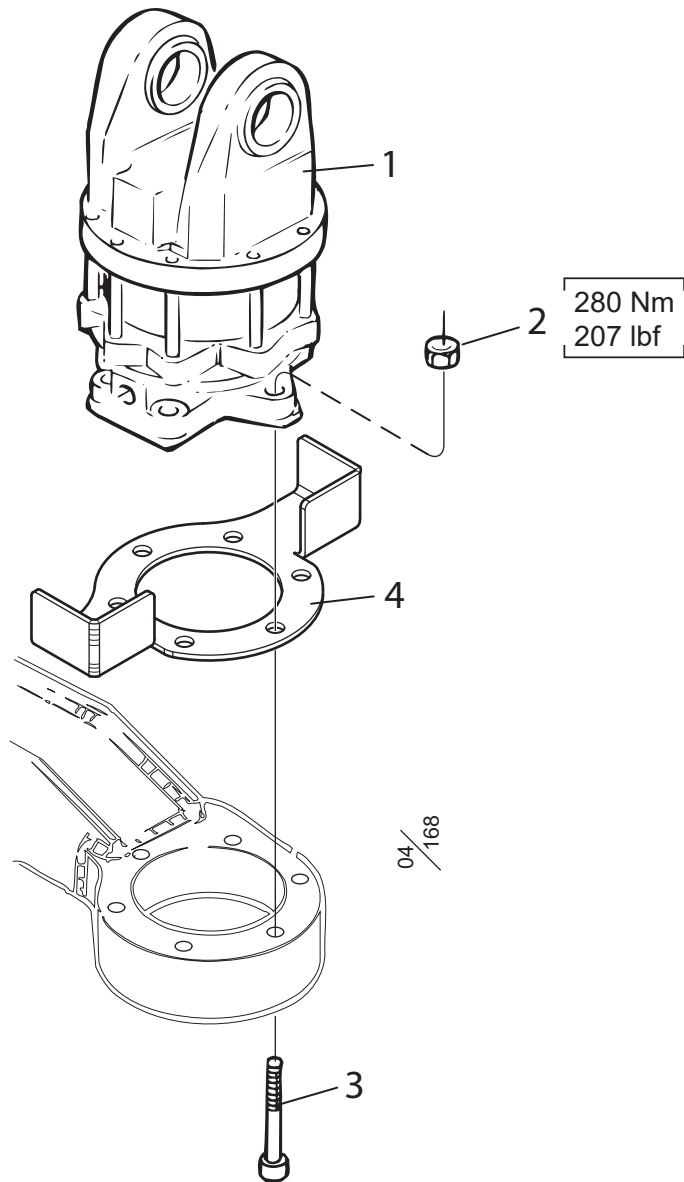
Stump treatment, hose kit

Structure 554277				
Pos.	Part no.	Quantity	Description	Specification
1	601100	3	Seal ring	R 1/8"
2	554188	1	Hose	
3	601025	1	Coupling	R 1/8" UF – R 1/8" UF
4	554187	1	Connection	
5	601026	1	Coupling	R 1/8" UF – R 1/4" UF
6	643914	1	Hose 3914	
7	513040	1	Socket set screw	P6SS M6x6

Saw bar and chain

Structure				
Pos.	Part no.	Quantity	Description	Specification
	549518-064		Saw bar	Z=12, L=640mm
	549518-175		Saw bar	Z=12, L=750mm
	549018-074		Saw chain	74E
	549018-086		Saw chain	86E

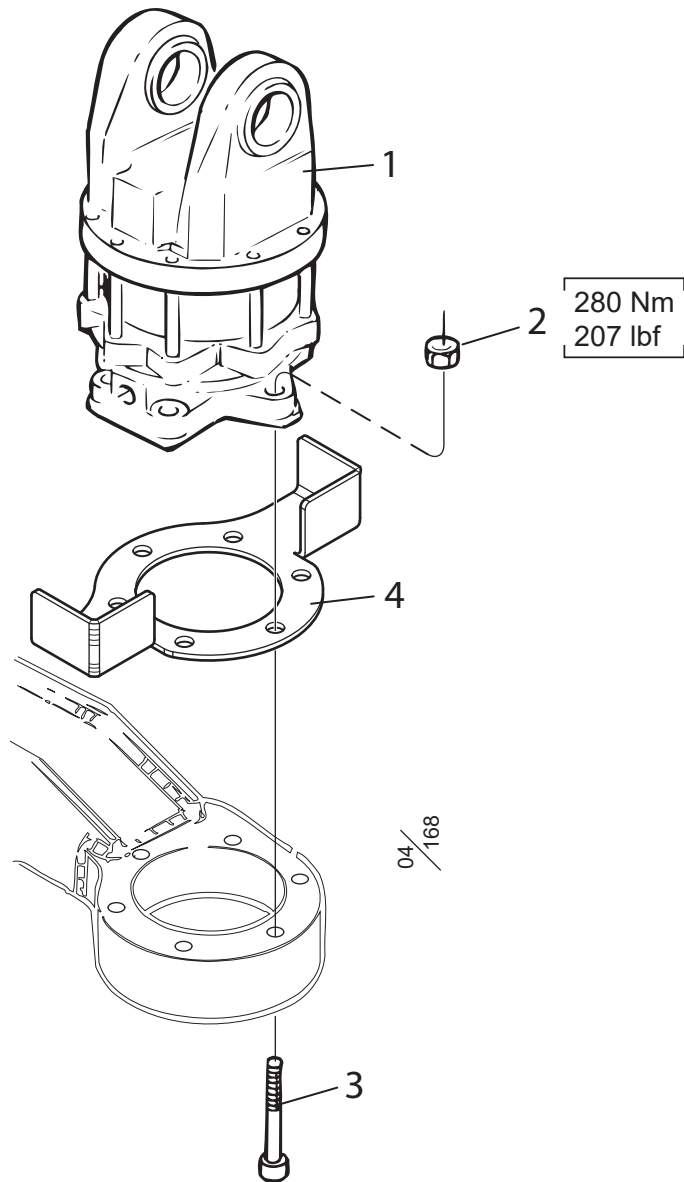
7. Rotators



Log Max GV12

Rotator AV 17S

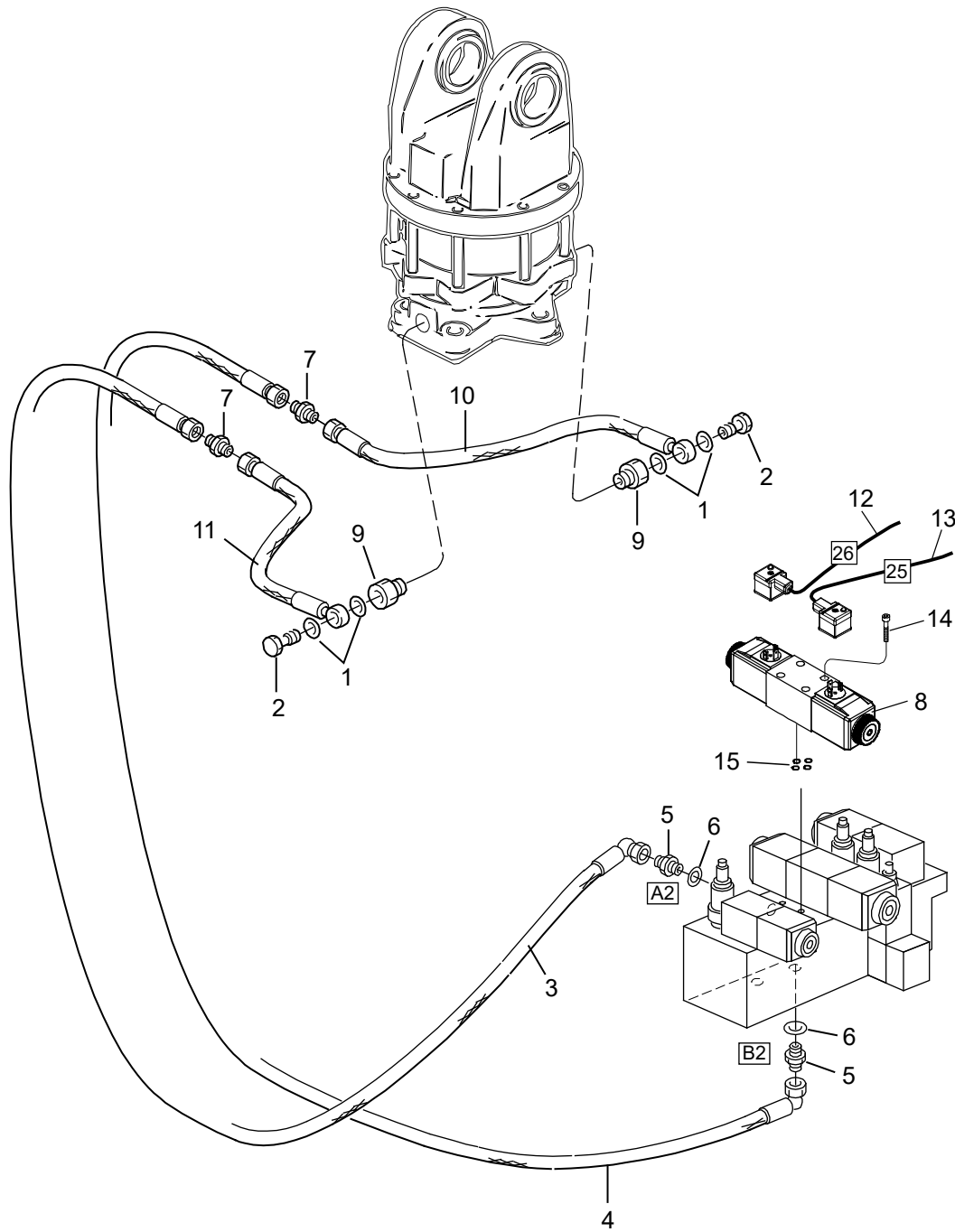
Structure 049072, 032139				
Pos.	Part no.	Quantity	Description	Specification
1	618038	1	Rotator	
2	502705	6	Nut	M16 Locking KL10 FZB
3	501147	6	Screw	MC6S M16x180 12.9
4	017117	1	Hose cover	



Log Max GV12

Rotator H 182D

Structure 033084				
Pos.	Part no.	Quantity	Description	Specification
1	618076	1	Rotator	
2	502705	6	Nut	M16 Locking KL10 FZB
3	501148	6	Screw	MC6S M16x160 12.9
	501147	6	Screw	MC6S M16x180 12.9 Only for / Endast för 017117
4	017117	1	Hose cover	



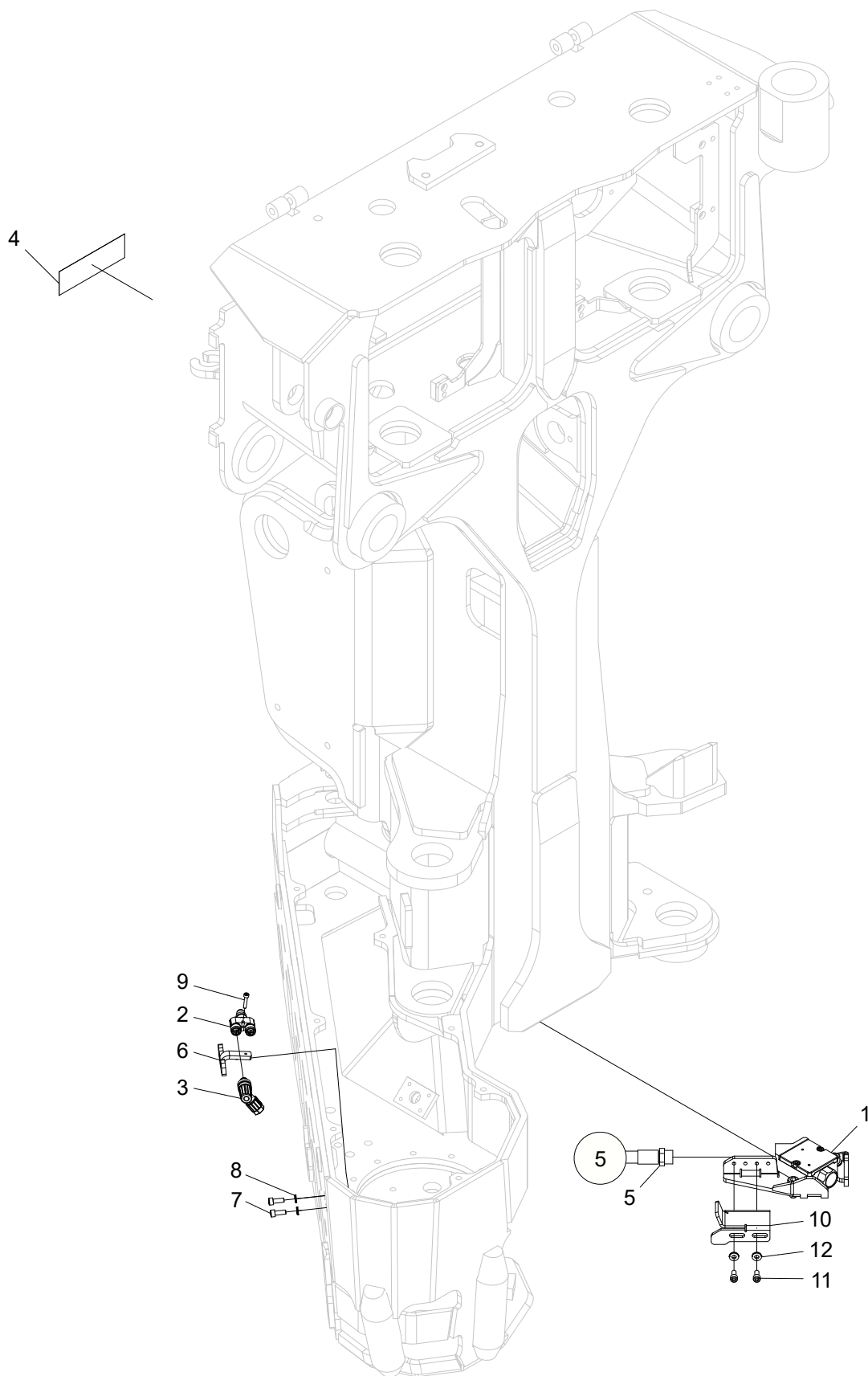
09/030

Log Max 6/ 7 - Rotatorstyring

Rotator control, valve

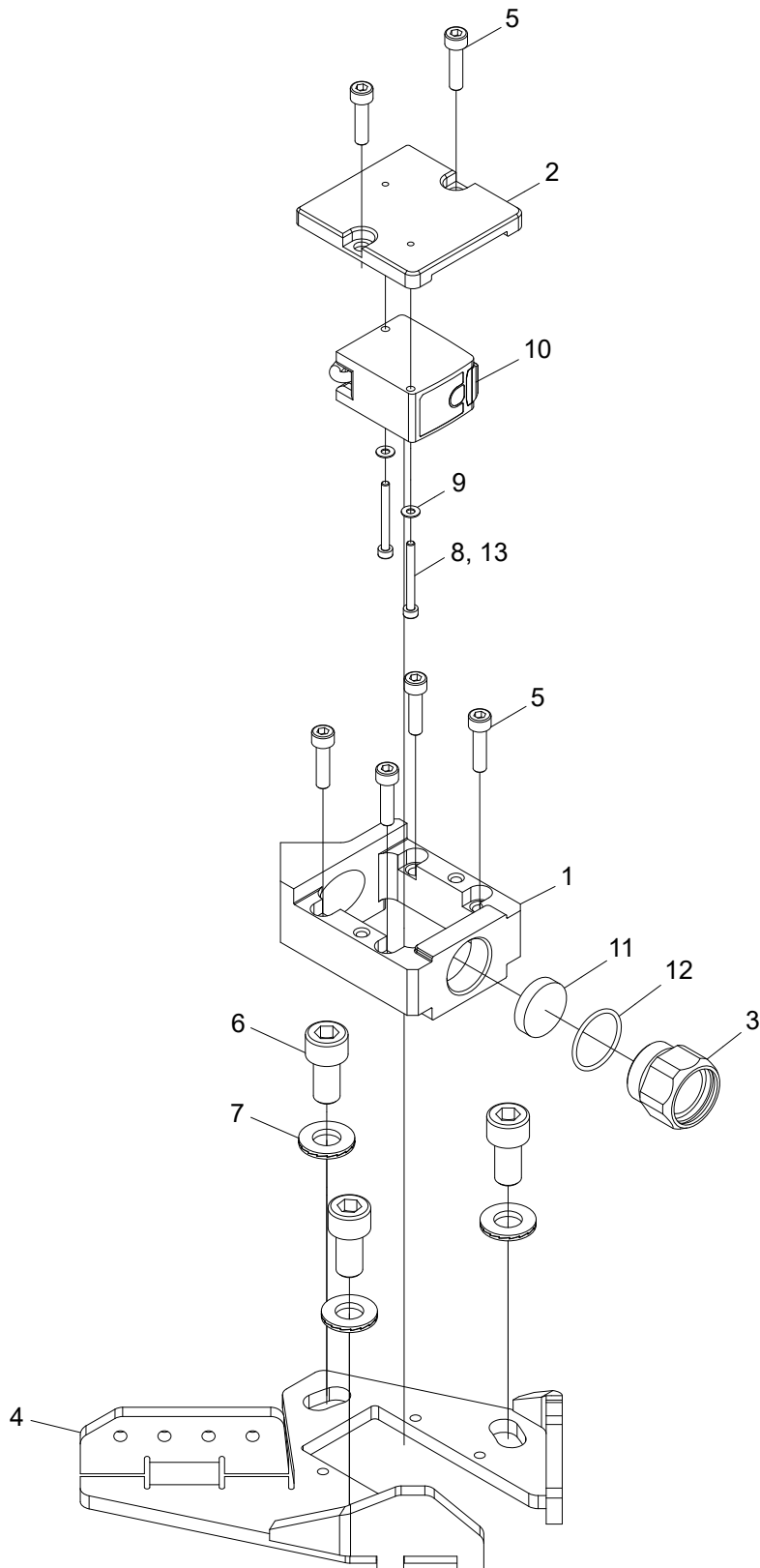
Structure 049078				
Pos.	Part no.	Quantity	Description	Specification
1	601200	4	Seal ring	13x19x1.5
2	601060	2	Banjo bolt	R 1/4"
3	649313	1	Hose 9313	
4	649314	1	Hose 9314	
5	601029	2	Coupling	R 1/4" UF – R 3/8" UF
6	601102	2	Seal ring	3/8"
7	601028	2	Coupling	R 1/4" UF – R 1/4" UF
8	612029	1	Valve	24 V Proportional / Proportionell
9	602059	2	Coupling	R 1/2" – R 1/4" UF – IF
10	649315	1	Hose 9315	
11	649319	1	Hose 9319	
12	401232	1	Cable	"26"
13	401232	1	Cable	"25"
14	501031	4	Screw	MC6S M5x30 12.9
15	540038	4	O-ring	9.25x1.78

8. Accessories



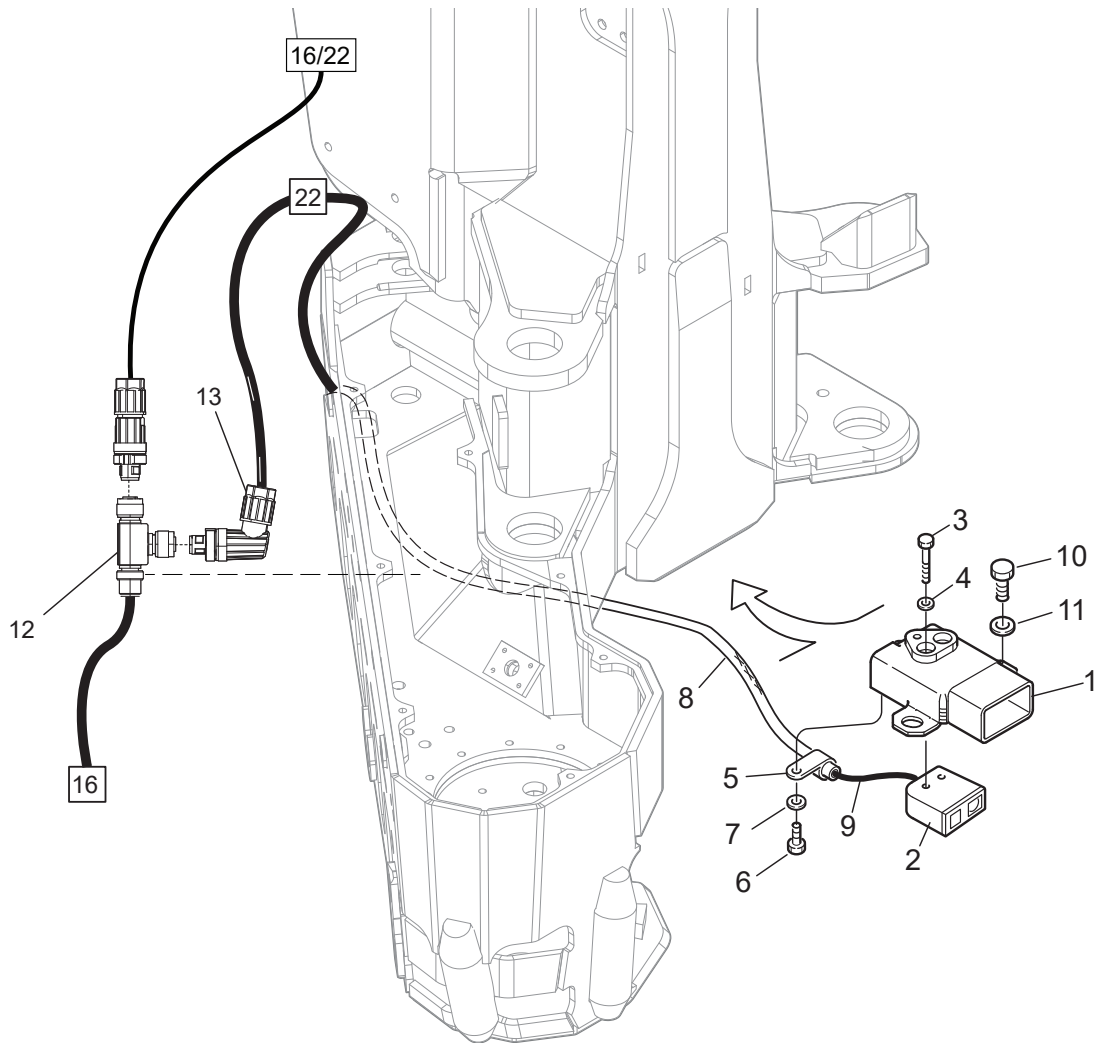
Find End, laser

Structure 049097				
Pos.	Part no.	Quantity	Description	Specification
1	018676	1	Find End assembly	
2	402314	1	Connector	
3	402315	1	Cable housing	
4	519192	1	Decal	
5	646586	1	Protective hose	
6	017370	1	Bracket	
7	501045	2	Screw	M6x16 12.9
8	503065	2	Washer	NL6
9	501016	1	Screw	M4x20 12.9
10	10002003	1	Protection	
11	501044	2	Screw	M6x14 12.9
12	503073	2	Washer	NL6 sp



Find End, assembly

Structure 018676				
Pos.	Part no.	Quantity	Description	Specification
1	018670	1	Sensor housing	
2	018671	1	Cap	
3	10001881	1	Protection	
4	10002004	1	Bracket	
5	501029	6	Screw	M5x20 12.9
6	501087	3	Screw	M10x20 12.9
7	503075	3	Washer	NL10 sp
8	501004	2	Screw	M3x30 12.9
9	503001	2	Washer	3,2x7x0,5 FZB
10	401320	1	Sensor	
11	10001882	1	Lens	
12	10001957	1	O-ring	22,1x1,6 NBR 90
13			Threadlocker	243

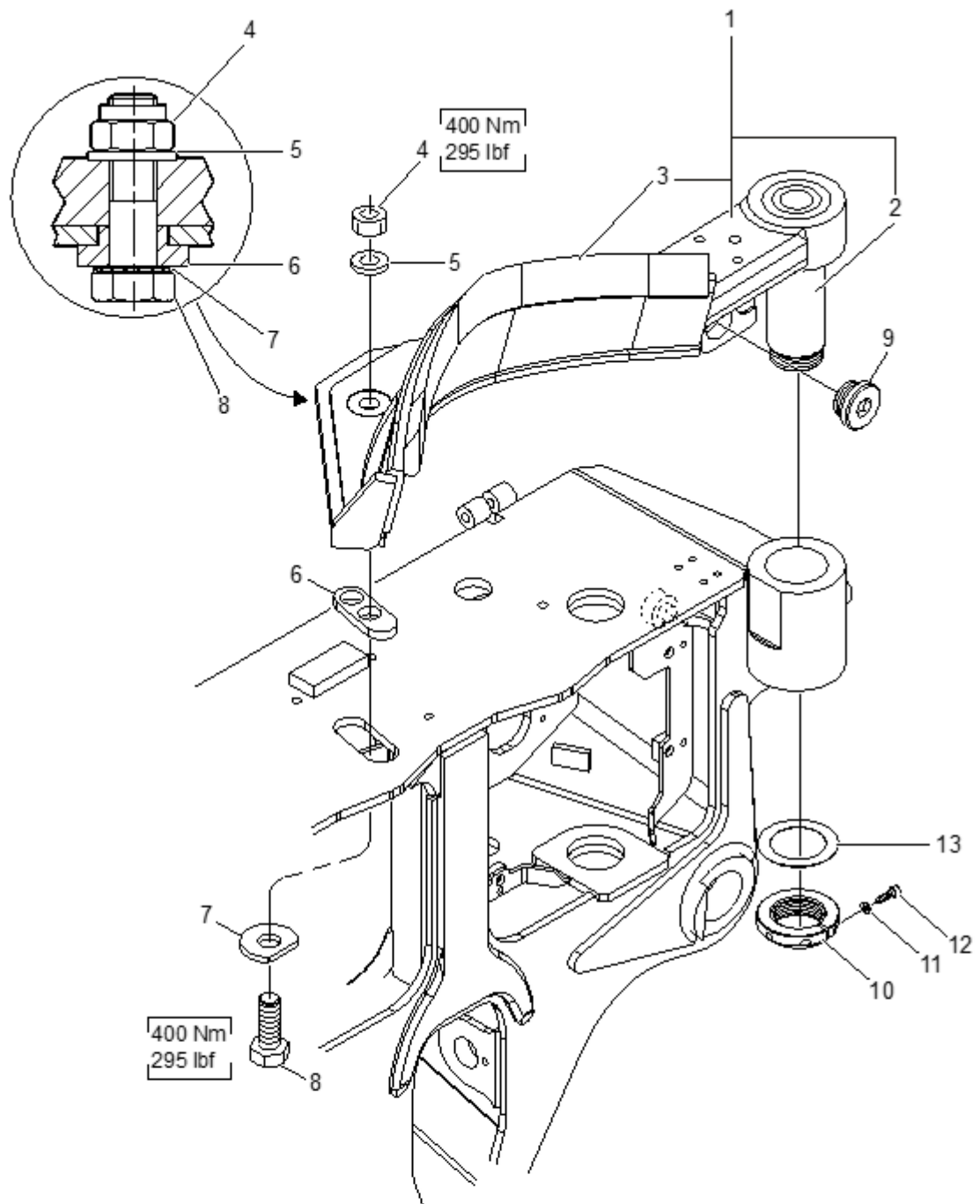


09/043

Log Max 4000B/ 5000D/ 6000B/ 7000C/ E6/ 6000Twin - Find End

Find End, photocell

Structure 033683-500, 005425				
Pos.	Part no.	Quantity	Description	Specification
1	013927	1	Bracket	
2	401860	1	Photocell	
3	500005	2	Screw	M6S M4x20 8.8 FZB
4	503067	2	Washer	M4 Nordlock
5	622050	1	Clamp	Ø 12 mm
6	500022	1	Screw	M6S M6x14 8.8 FZB
7	503065	1	Washer	M6 Nordlock
8	615071	1	Hose	L=1.2 m
9		1	Cable	"22"
10	500065	3	Screw	M6S M10x16 8.8 FZB
11	503075	3	Washer	M10 Nordlock Wide / Stor
12	402313	1	T-distr.	M12, 5 – pole / 5 – pol
13	402315	1	Cable housing	5 – pin / 5 – pol

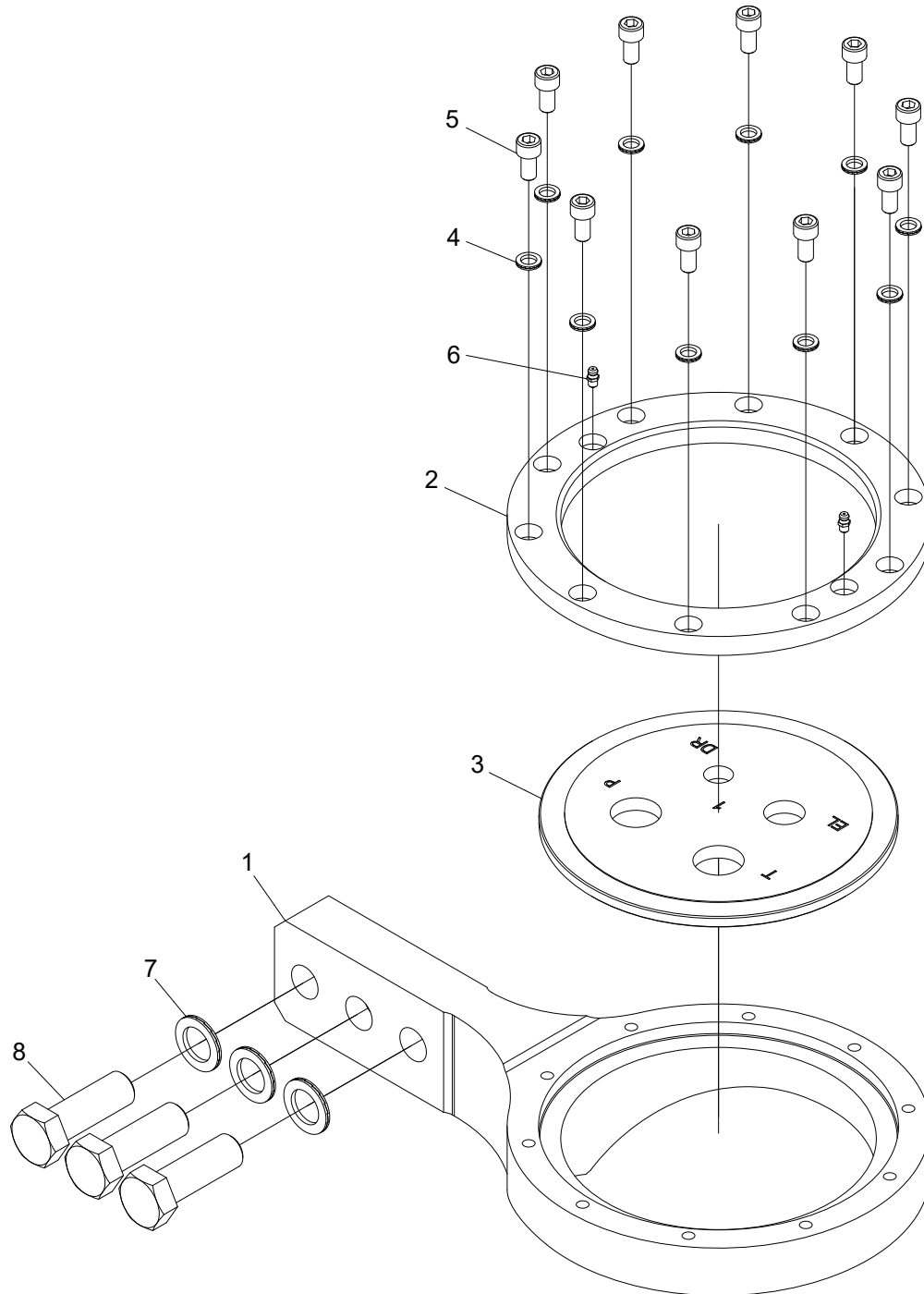


03/004

Log Max E6 - Fast överkniv

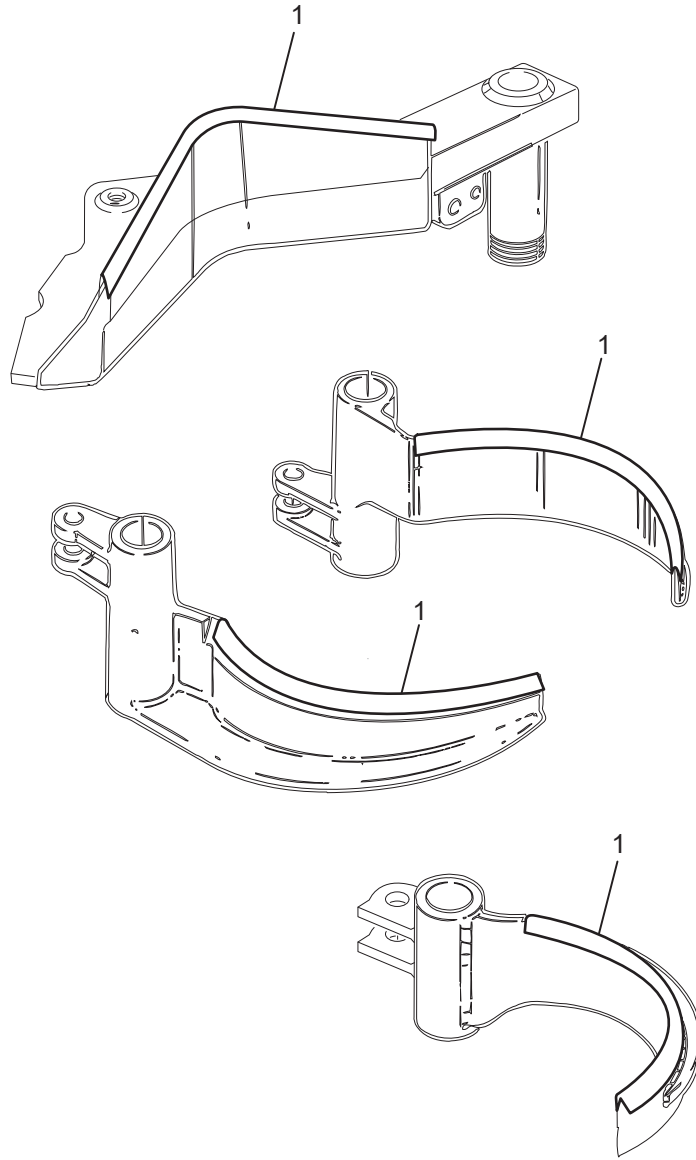
Fixed upper delimiting knife

Structure 006305, 049076				
Pos.	Part no.	Quantity	Description	Specification
1	049029	1	Knife compl.	
2	016071	1	Pin	Ø60 L=200 mm
3	017280	1	Knife blade	
4	502062	1	Nut	M24 Locking Low / Låg
5	503018	1	Washer	BRFB FZB 25x45x4
6	018529	1	Guide washer	
7	503072	1	Washer	M24 Nordlock
8	505091	1	Screw	M6S M24x90 10.9 H.G.
9	601006	1	Hex plug	R1 1/4"
10	016712	1	Threaded ring	M55x2
11	503055	1	Washer	M8 Nordlock
12	501070	1	Screw	MC6S M8x25 12.9
13	507017	1	Shim	PS 56x89x1



Hose holder

Structure 10001959				
Pos.	Part no.	Quantity	Description	Specification
1	018640	1	Bracket	
2	018641	1	Bracket	
3	10001950	1	Bracket	
4	503057	10	Washer	NL10
5	501087	10	Screw	M10x20 12.9
6	625004	2	Grease nipple	M6
7	503072	3	Washer	NL24
8	505058	3	Screw	M24x70 10.9

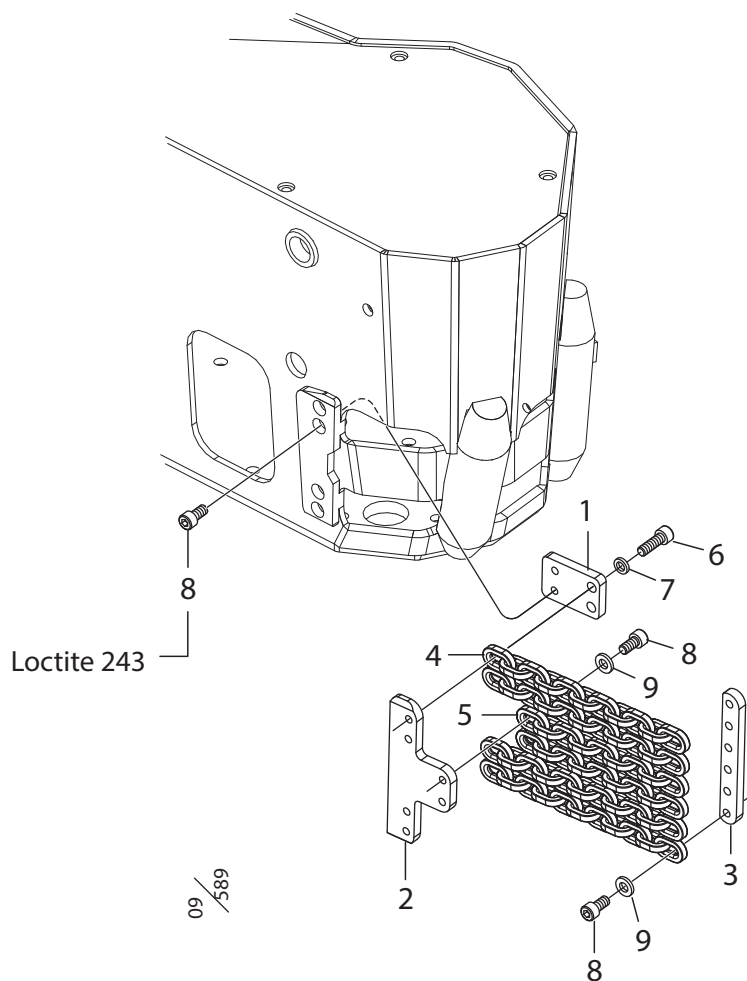


09 /
041

.....

Knife edge protection

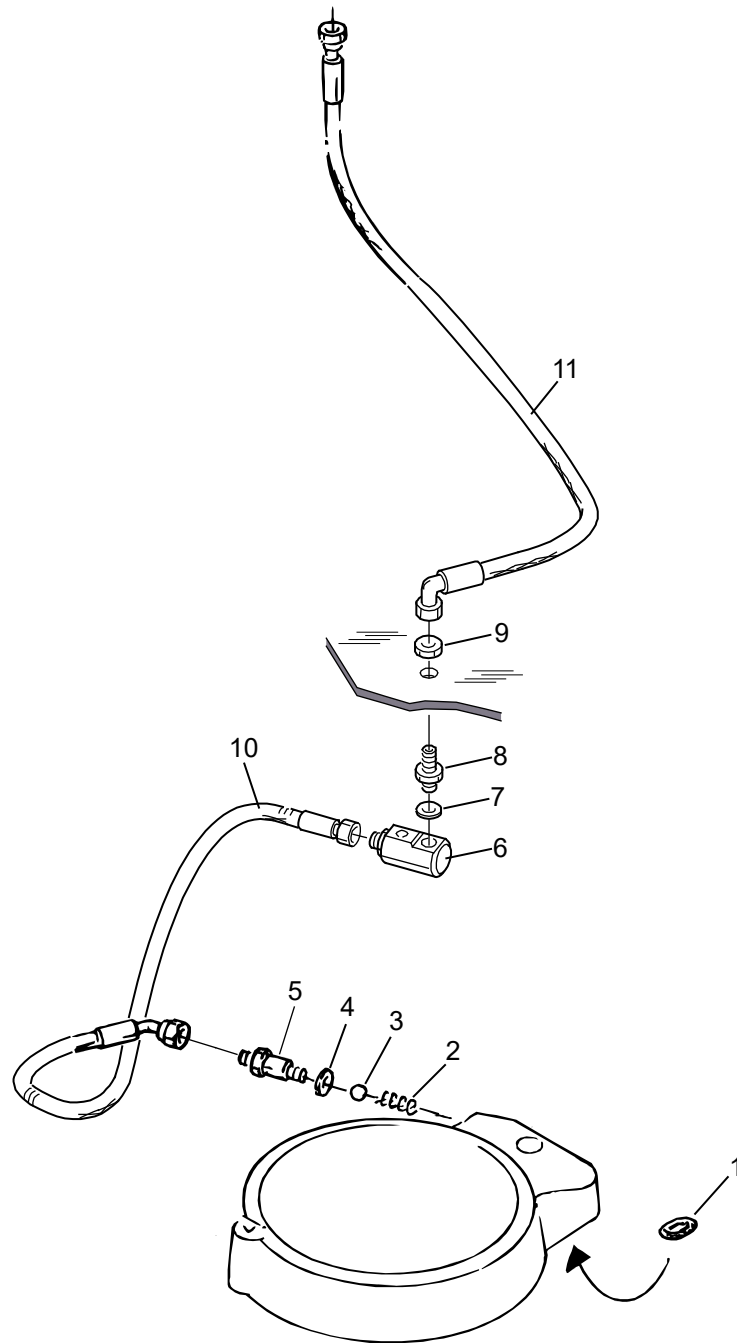
Structure 519010				
Pos.	Part no.	Quantity	Description	Specification
1	519010	1	Cover	L= 5 m



Log Max 6000B - Spånskydd

Saw dust cover

Structure 031053				
Pos.	Part no.	Quantity	Description	Specification
1	017382	2	Plate	
2	017383	1	Strip	
3	016776	1	Plate	
4	523002	4	Chain	11 – Links / Länk
5	523003	2	Chain	9 – Links / Länk
6	501070	4	Screw	MC6S M8x25 12.9
7	503055	4	Washer	M8 Nordlock
8	501067	12	Screw	MC6S M8x16 12.9
9	503074	8	Washer	M8 Nordlock Wide / Stor

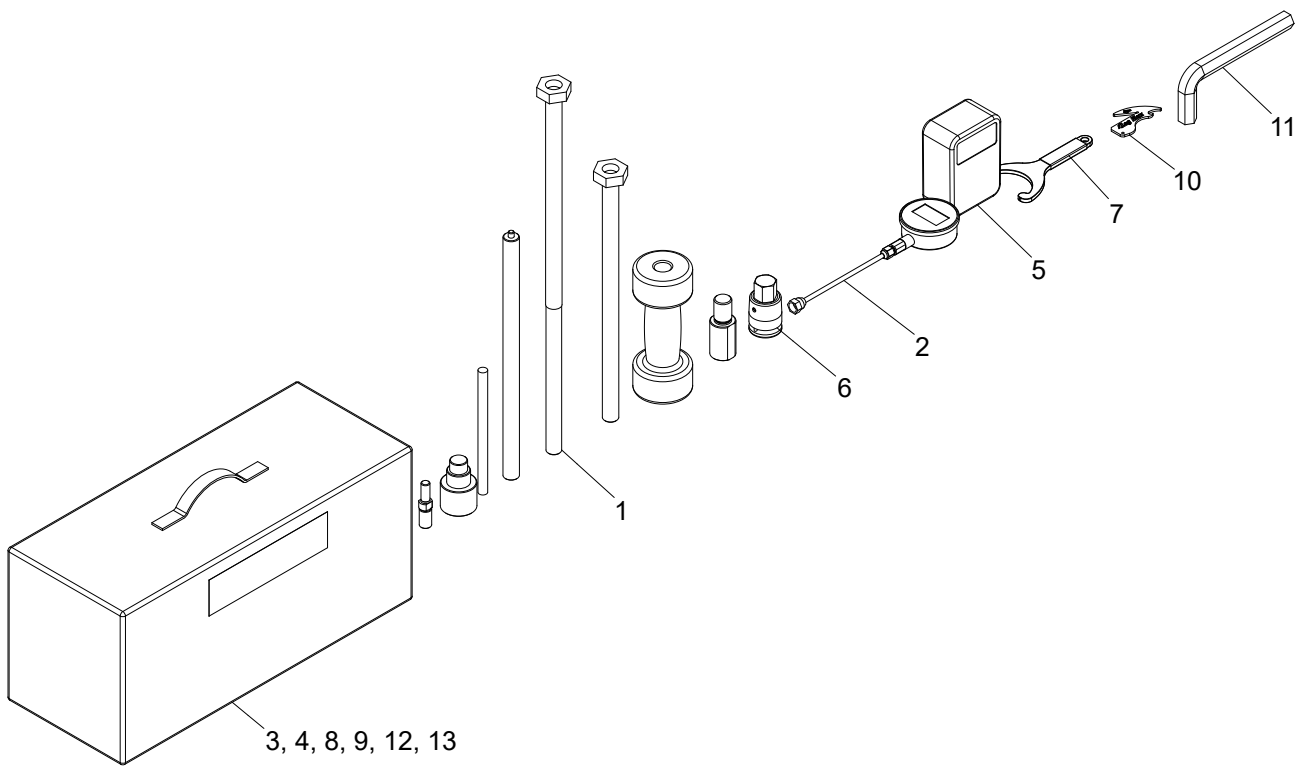


09/045

Log Max 4000/5000/6000/7000 - Stubbehandling

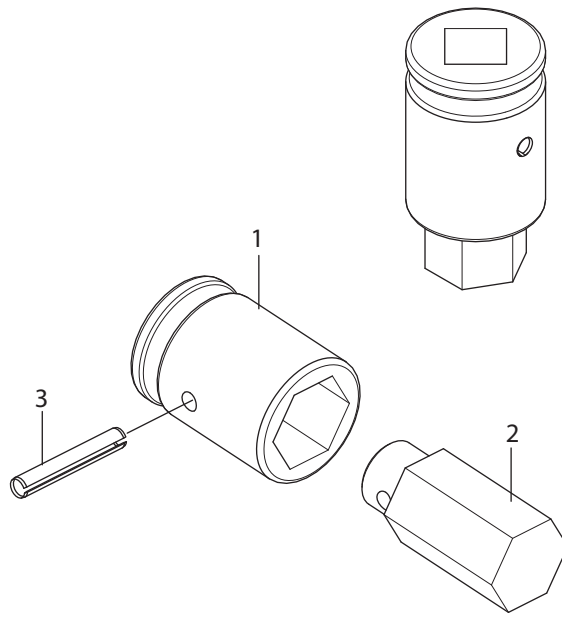
Stump treatment, Saw 98

Structure 033721				
Pos.	Part no.	Quantity	Description	Specification
1	540018	1	O-ring	Ø 25.1x1.6
2	526015	1	Spring	
3	511004	1	Ball	Ø 10 mm
4	546004	1	Seal ring	1/4"
5	012612	1	Coupling	
6	016727	1	Swivel	1/4"
7	601101	1	Seal ring	1/4"
8	601210	1	Bulkhead	R 1/4" UF
9	601253	1	Nut	R 1/4"
10	645583	1	Hose 5583	
11	645584	1	Hose 5584	



Tool kit

Structure 032307				
Pos.	Part no.	Quantity	Description	Specification
1	049098	1	Tool	
2	623053	1	Manometer	
3	522718	1	Tool	
4	519190	2	Decal	
5	402804	1	Multimeter	
6	011513	1	Tool	
7	016537	1	Tool	
8	522227	1	Allen key	
9	522505	1	First aid kit	
10	015662	1	Edge template	
11	538002	1	Allen key	
12	033801	1	User manual	
13	522506-LXL	1	Safety vest	

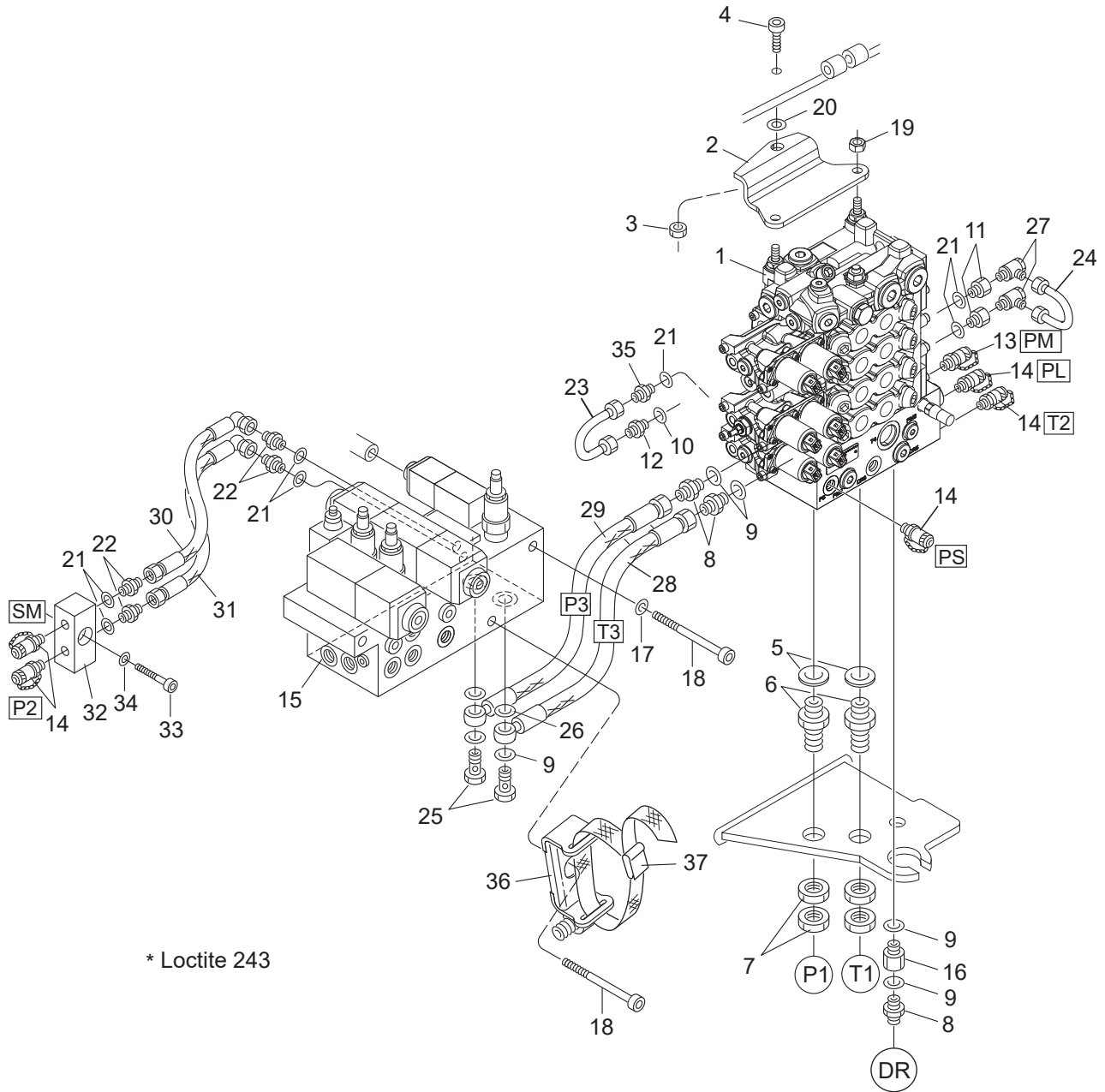


09 / 149

Tools for pins

Structure 011513				
Pos.	Part no.	Quantity	Description	Specification
1	015247	1	Hex key	27 mm
2	015246	1	Hex key	27 mm
3	515015	1	Tension pin	FRP 6x40 DIN 1481

9. Hydraulic system



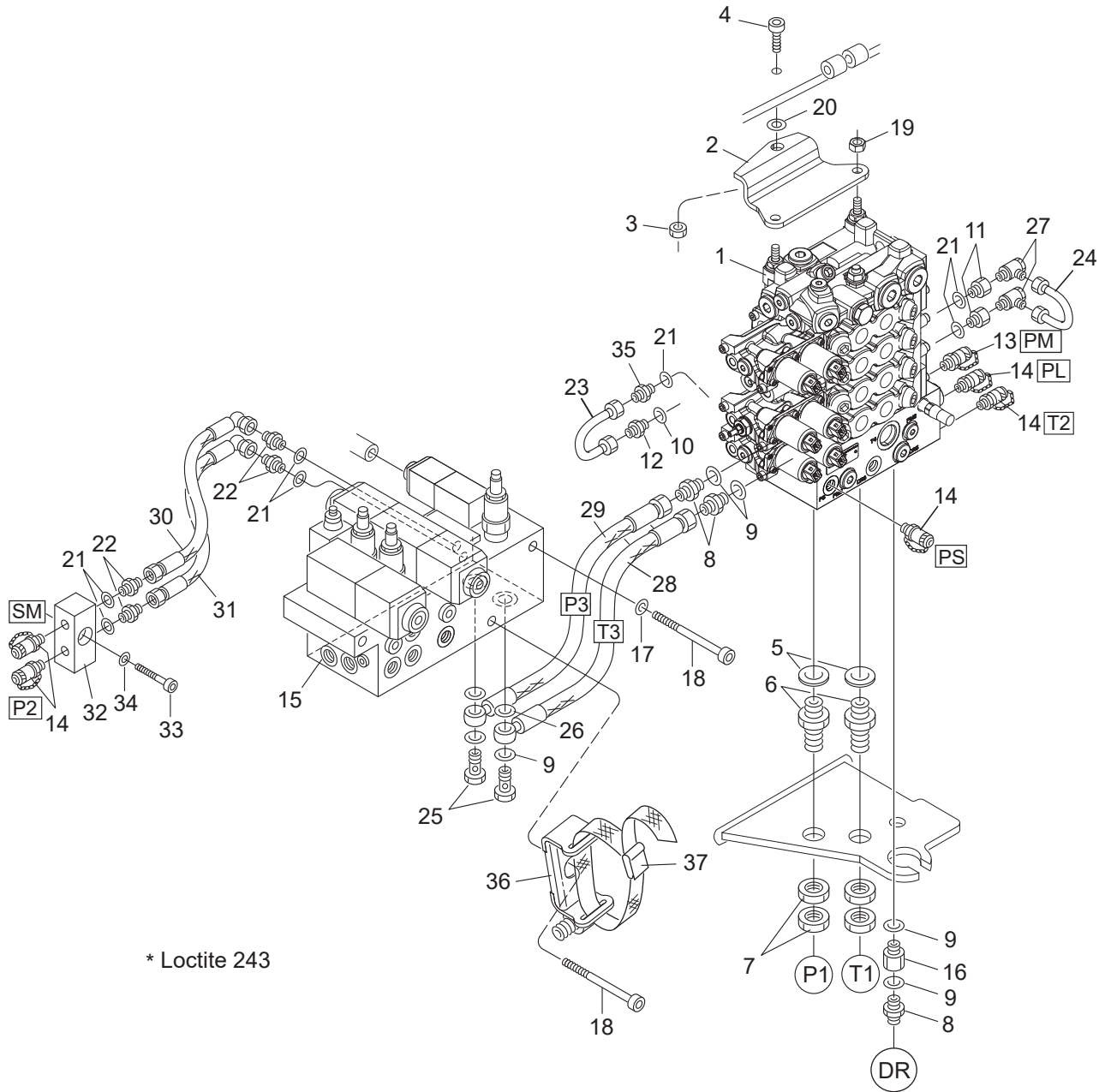
* Loctite 243

07/
048

Log Max E6 - Power Float

Hydraulic system, Power float

Structure 006310, 006311, 033523				
Pos.	Part no.	Quantity	Description	Specification
1	614028-02	1	Manifold	Right / Höger
2	017148	1	Bracket	
3	502056	1	Nut	M12 Locking Low / Låg
4	501109	1	Screw	MC6S M12x30 12.9
5	601105	2	Seal ring	1"
6	011175	2	Bulkhead	G 1" – G 1"
	011176	(2)	Bulkhead	R 1" – JIC 1 5/16"
7	011206	4	Nut	R 1"
	011178	(4)	Nut	JIC 1 – 5/16"
8	601036	3	Coupling	R 1/2" UF – R 1/2" UF
	608005	(1)	Coupling	R 1/2" – 7/8" JIC
9	601103	6	Seal ring	1/2"
	601103	1	Seal ring	1/2" JIC
10	601100	1	Seal ring	1/8"
11	602086	2	Adaptor	1/4" – 1/8" UF – IF
12	602061	1	Adaptor	R 1/8" – 6L – R
13	601262	1	Pressure gauge	3/8"
14	601261	5	Pressure gauge	1/4"
15	018844	1	Manifold	Left / Vänster
16	013805	1	Coupling	1/2" IF – 1/2" UF
17	503057	2	Washer	M10 Nordlock
18	501104	3	Screw	MC6S M10x140 12.9
19	502055	2	Nut	M10 Locking Low / Låg
20	503009	1	Washer	BRB FZB 12x22x2.0
21	601101	7	Seal ring	1/4"
22	601028	4	Coupling	R 1/4" UF – R 1/4" UF
23	013830	1	Tube compl	
24	014193	1	Tube compl	
25	601062	2	Banjo bolt	R 1/2"
26	602113	2	Seal ring	1/2"
27	602075	2	Banjo coupling	R 1/8" – 6L
28	646527	1	Hose 6527	
29	646526	1	Hose 6526	

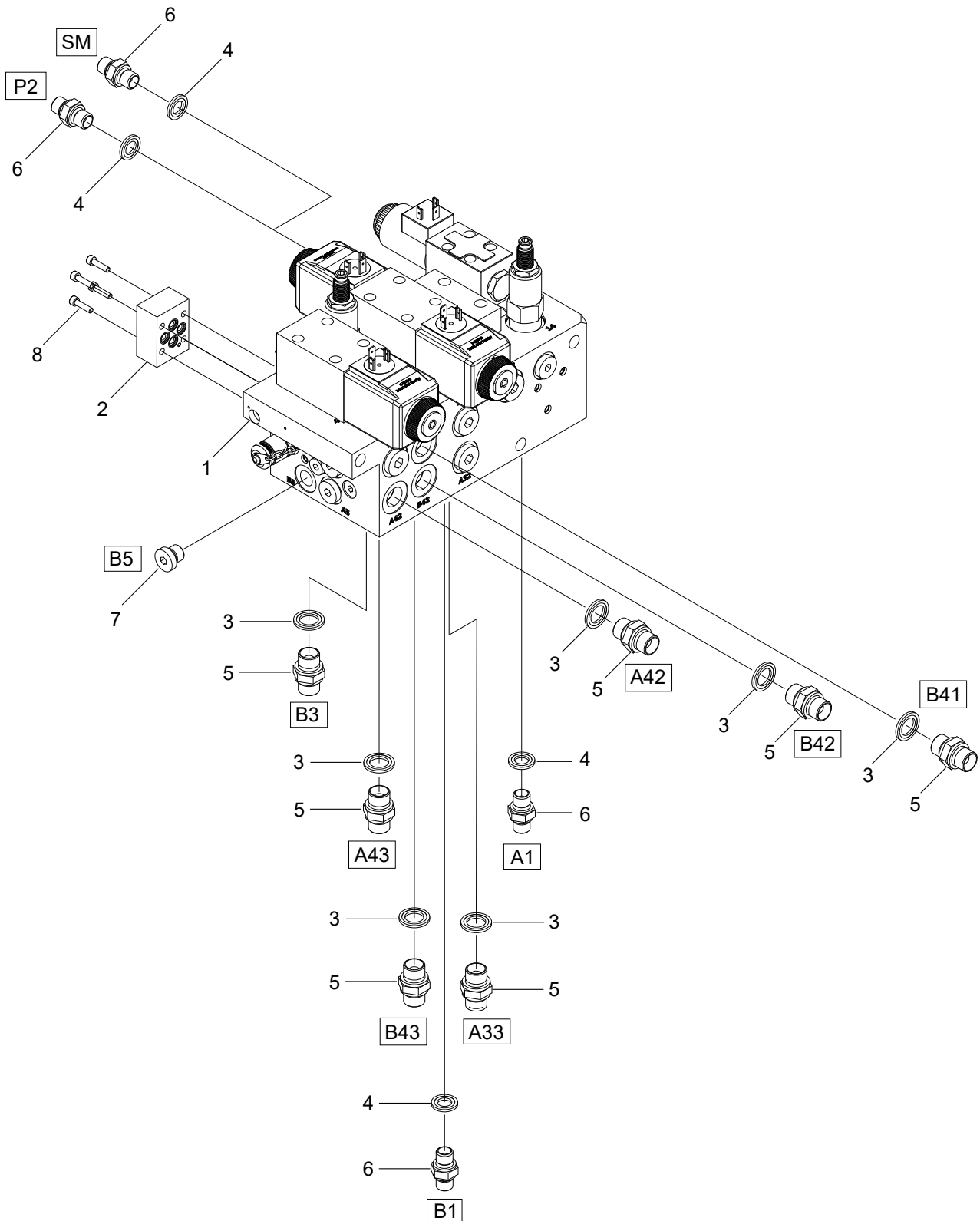


* Loctite 243

07/
048

Log Max E6 - Power Float

Structure				
Pos.	Part no.	Quantity	Description	Specification
30	646523	1	Hose 6523	
31	646524	1	Hose 6524	
32	013835	1	Manifold	
33	501072	1	Screw	MC6S M8x35 12.9
34	503055	1	Washer	M8 Nordlock
35	602060	1	Coupling	R 1/4" – 6L
36	014286	1	Hose clamp	R 3/8" – PG9
37	626001	1	Strap	

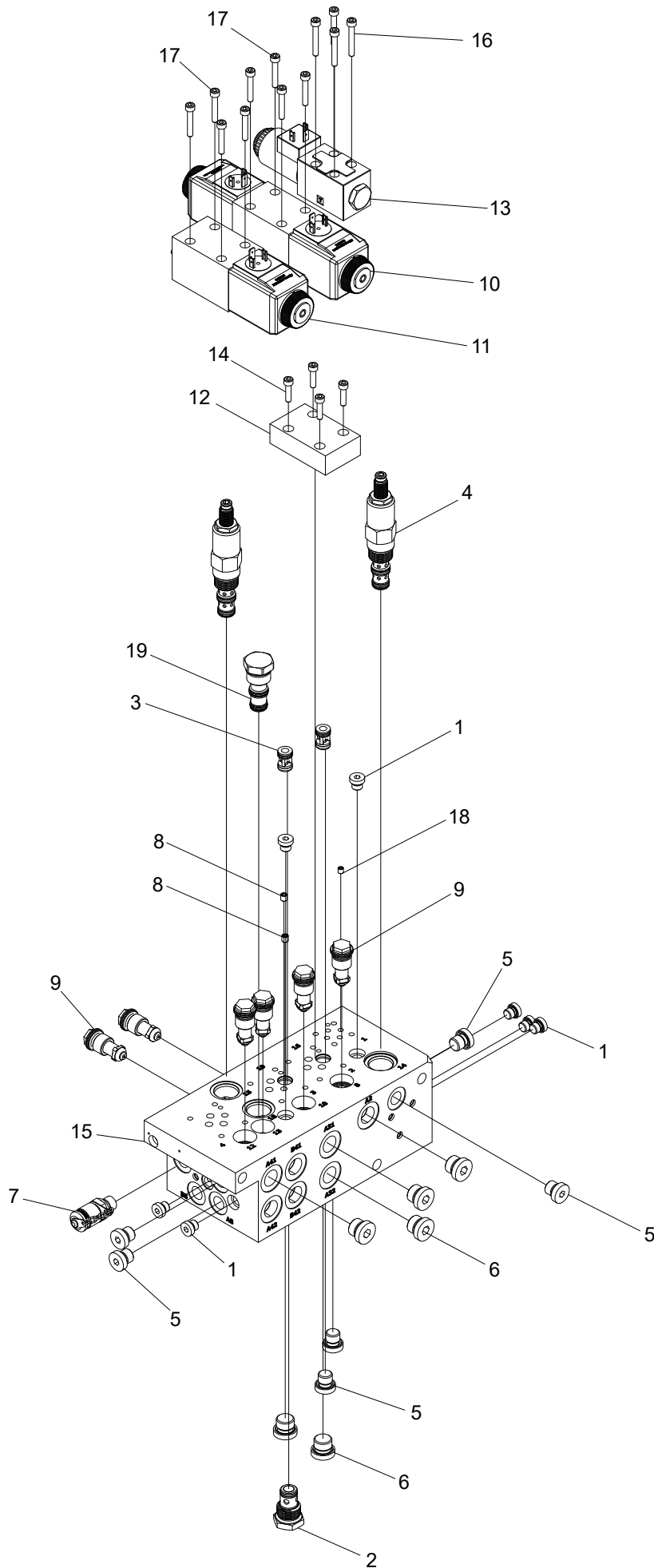


07/125

Log Max E6

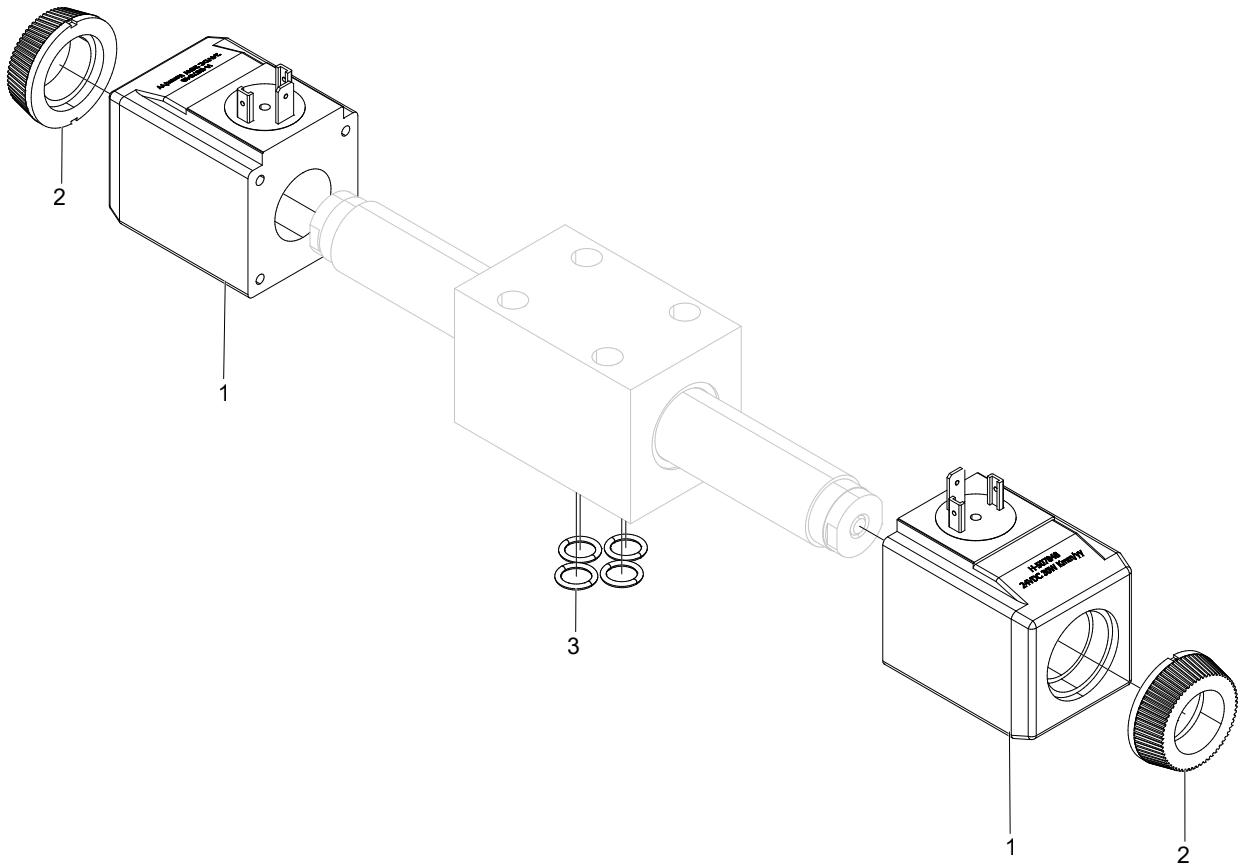
Left manifold, assembly

Structure 006323-2				
Pos.	Part no.	Quantity	Description	Specification
1	018844	1	Manifold	
2	613038	1	Blanking plate	NG4
3	601102	7	Bonded seal	3/8"
4	601101	4	Bonded seal	1/4"
5	601032	7	Adapter	BSP -06
6	601028	4	Adapter	1/4"
7	601001	1	Hex plug	1/4"
8	501029	4	Screw	M5x20 12.9



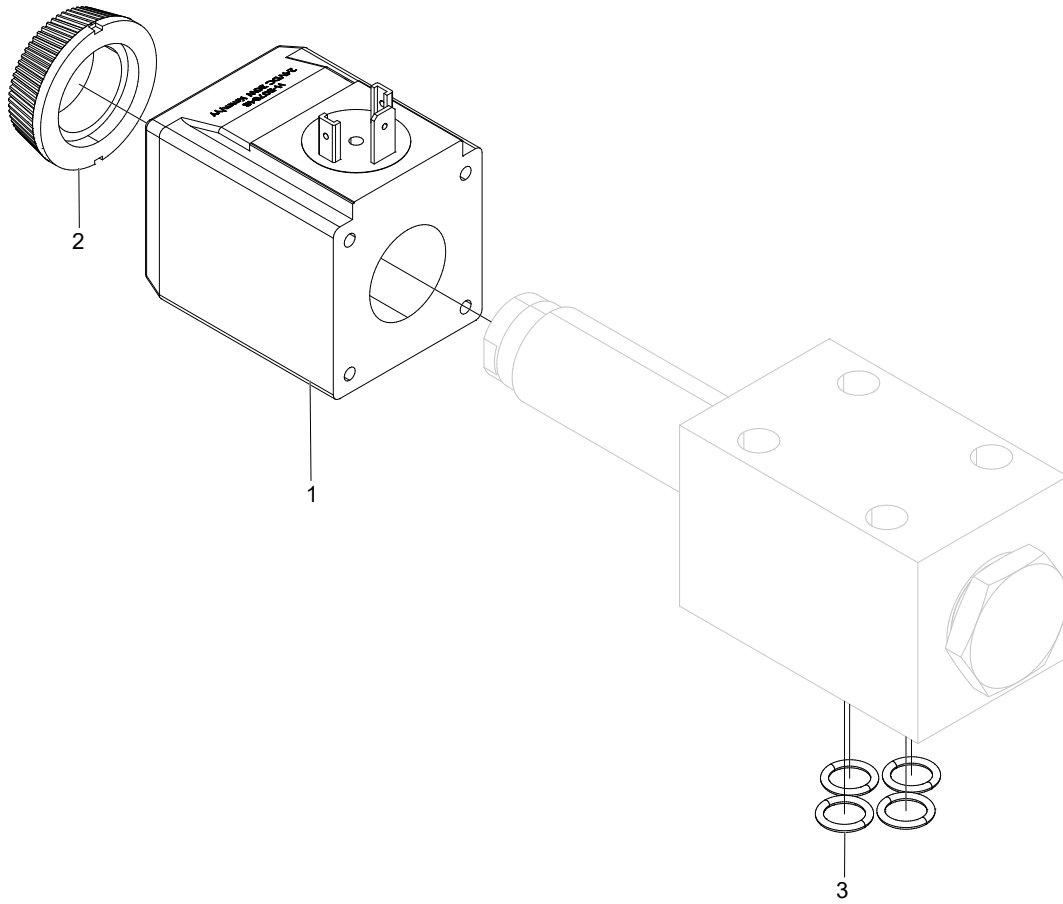
Left manifold

Structure 018844				
Pos.	Part no.	Quantity	Description	Specification
1	601000	7	Hex plug	1/8"
2	617044	1	Check valve	
3	617013	2	Check valve	0,2 bar, RKVCO-07/SR
4	619016	2	Pressure reducing valve	
5	601001	6	Hex plug	1/4"
6	601002	6	Hex plug	3/8"
7	601261	1	Test point	1/4"
8	613017	2	Orifice	
9	617033	6	Relief valve	
10	010280	1	Directional valve	
11	011626	1	Directional valve	
12	613045	1	Blanking plate	
13	612057	1	Directional valve	
14	501029	4	Screw	M5x20 12.9
15	612033	1	Manifold	
16	501032	4	Screw	M5x35 12.9
17	501031	8	Screw	M5x30 12.9
18	613033	1	Orifice	
19	612104	1	Cavity plug	



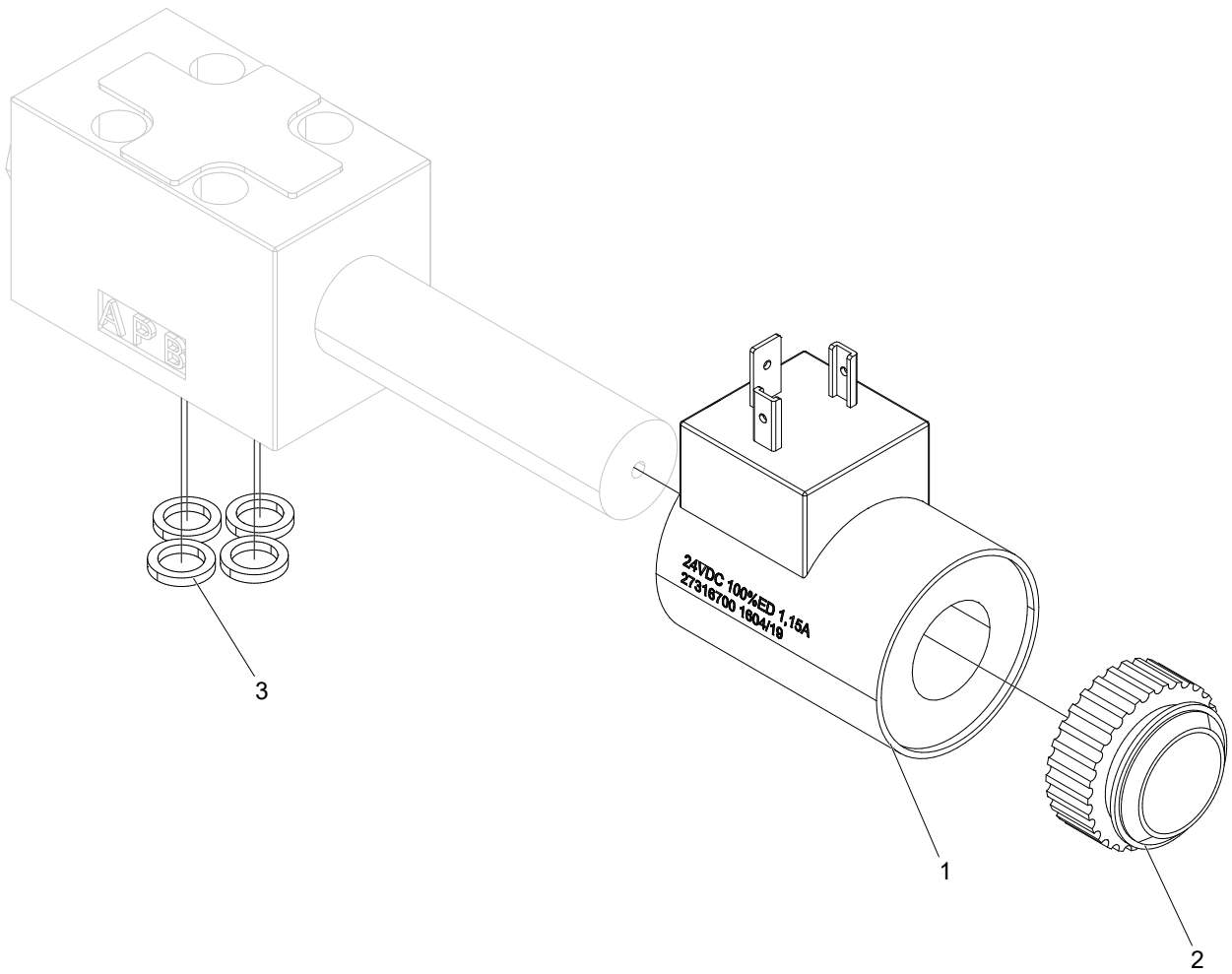
Directional valve 24V

Structure 010280				
Pos.	Part no.	Quantity	Description	Specification
1	613002	2	Solenoide	24 V
2	613059	2	Nut	Plastic / Plast
3	540006	4	O-ring	9.25x1.78



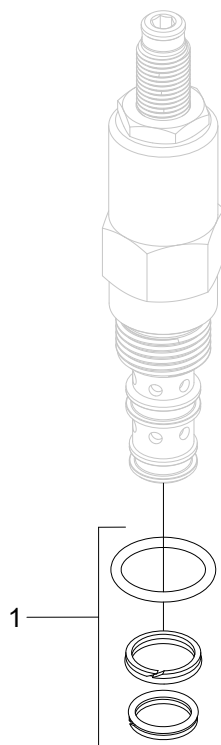
Directional valve 24V

Structure 011626				
Pos.	Part no.	Quantity	Description	Specification
1	613002	1	Solenoid	24V
2	613059	1	Nut	
3	540006	4	O-ring	9.25x1.78



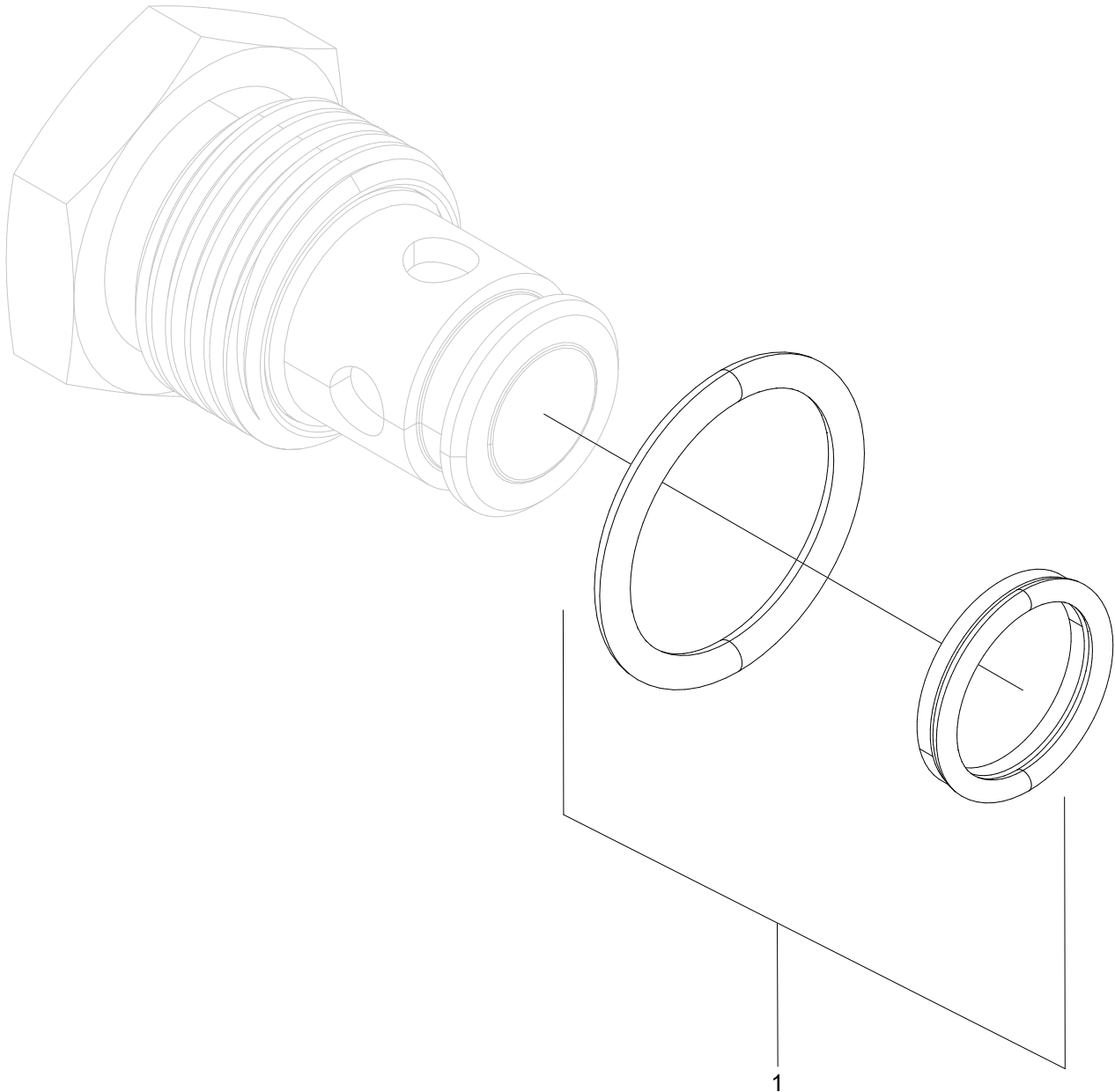
Directional valve 24V

Structure 612057				
Pos.	Part no.	Quantity	Description	Specification
1	613069	1	Solenoide	24 V
2	613105	1	Nut	Plastic / Plast
3	540037	4	O-ring	7.65x1.68



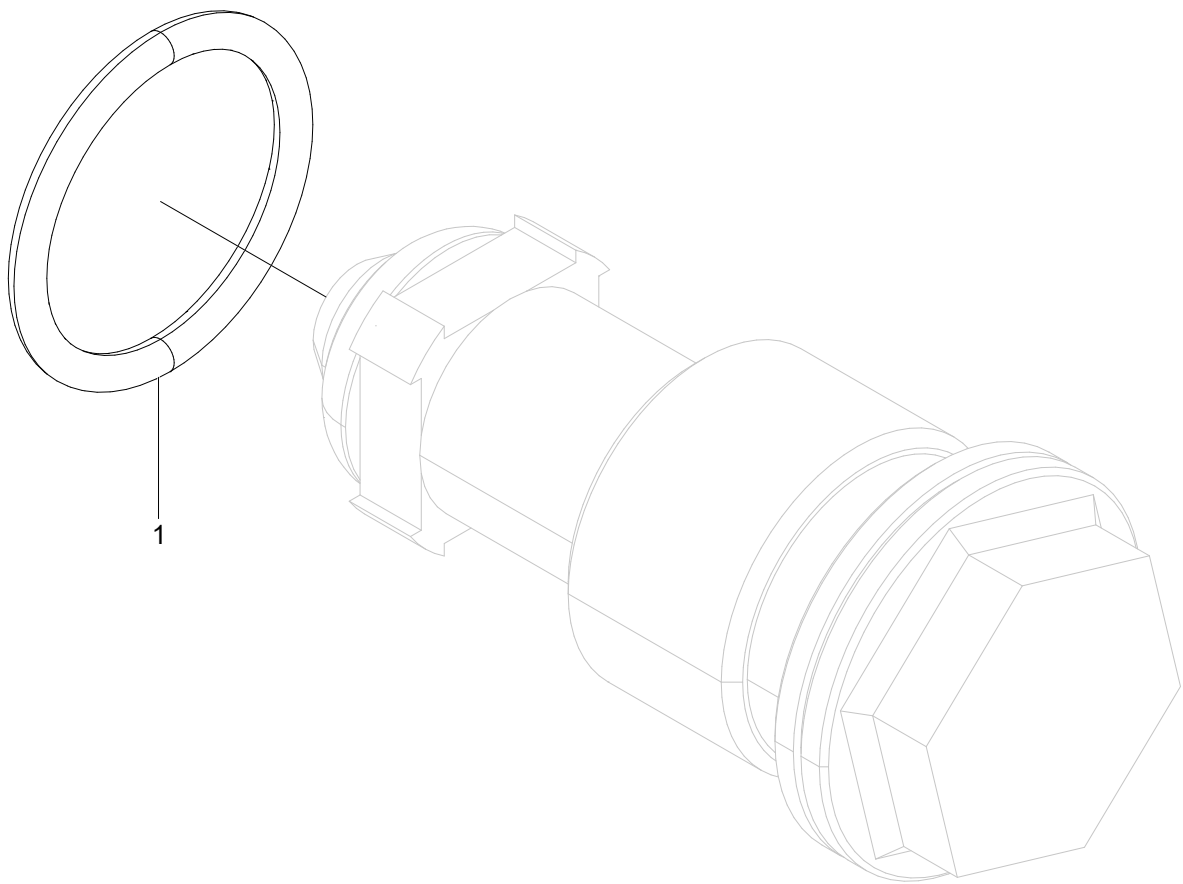
Pressure reducer valve

Structure 619016				
Pos.	Part no.	Quantity	Description	Specification
1	620352	1	Seal kit	



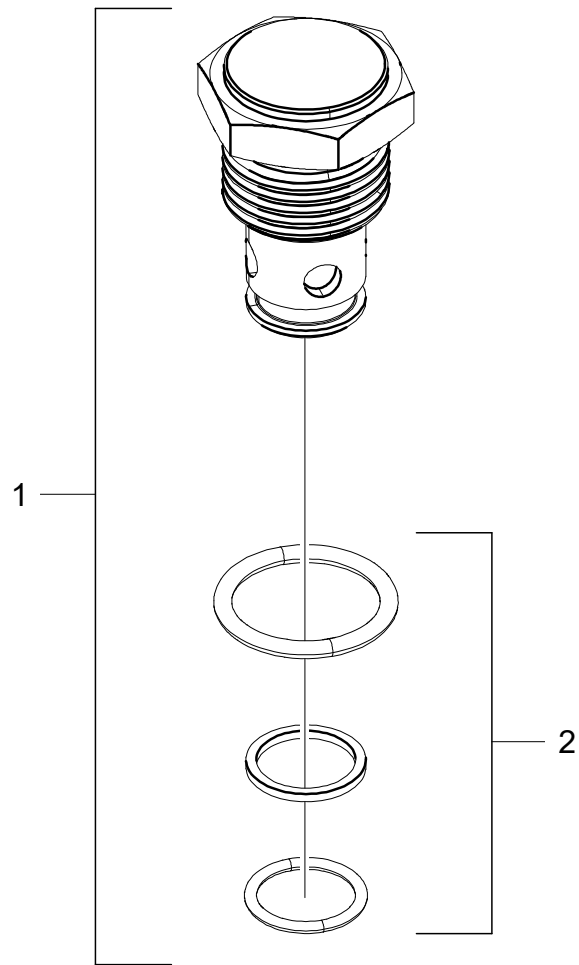
Check valve

Structure 617044				
Pos.	Part no.	Quantity	Description	Specification
1	620351	1	Seal kit	



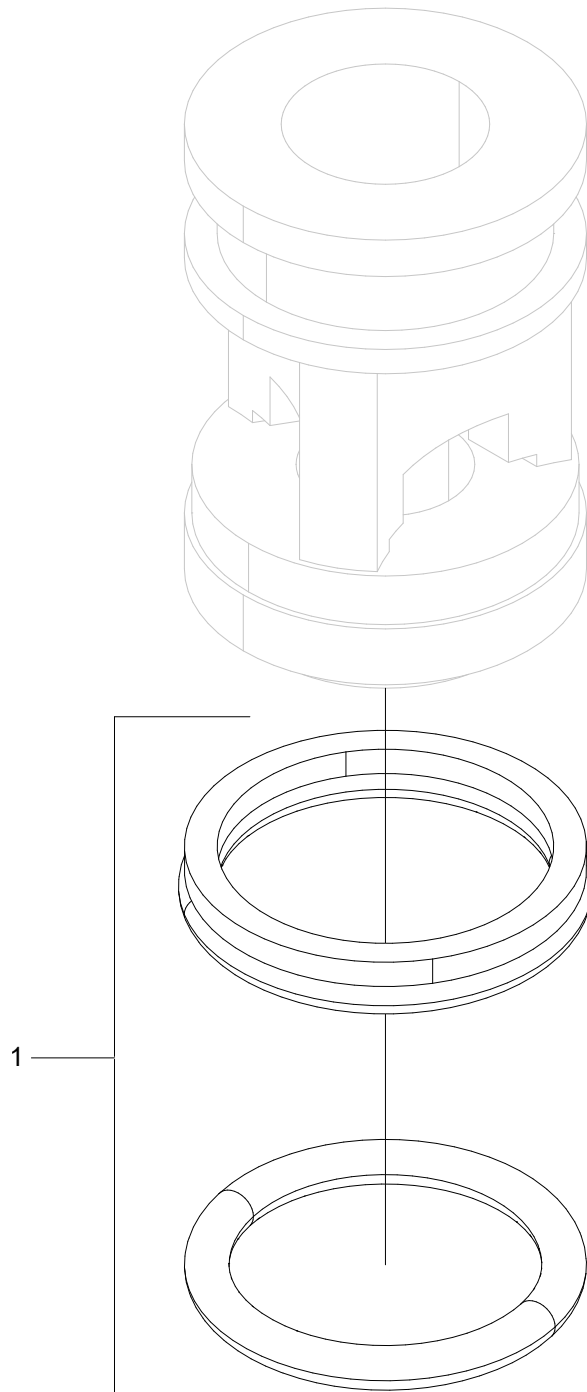
Pressure reducer valve

Structure 617033				
Pos.	Part no.	Quantity	Description	Specification
1	540043	1	O-ring	15.6x1.78



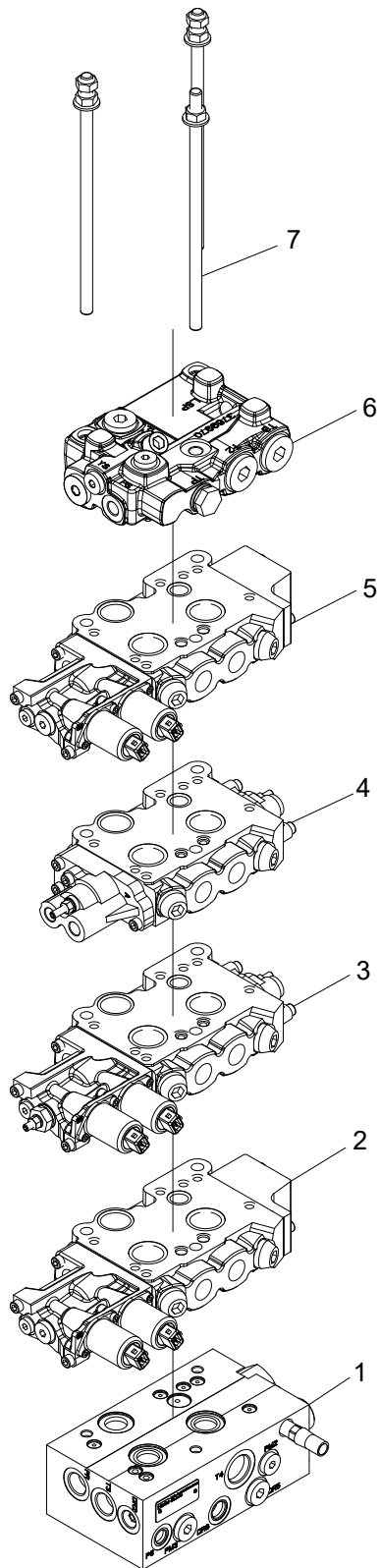
Check valve

Structure 617029				
Pos.	Part no.	Quantity	Description	Specification
1	617029	1	Check valve	1.03 bar
2	620351	1	Seal kit	



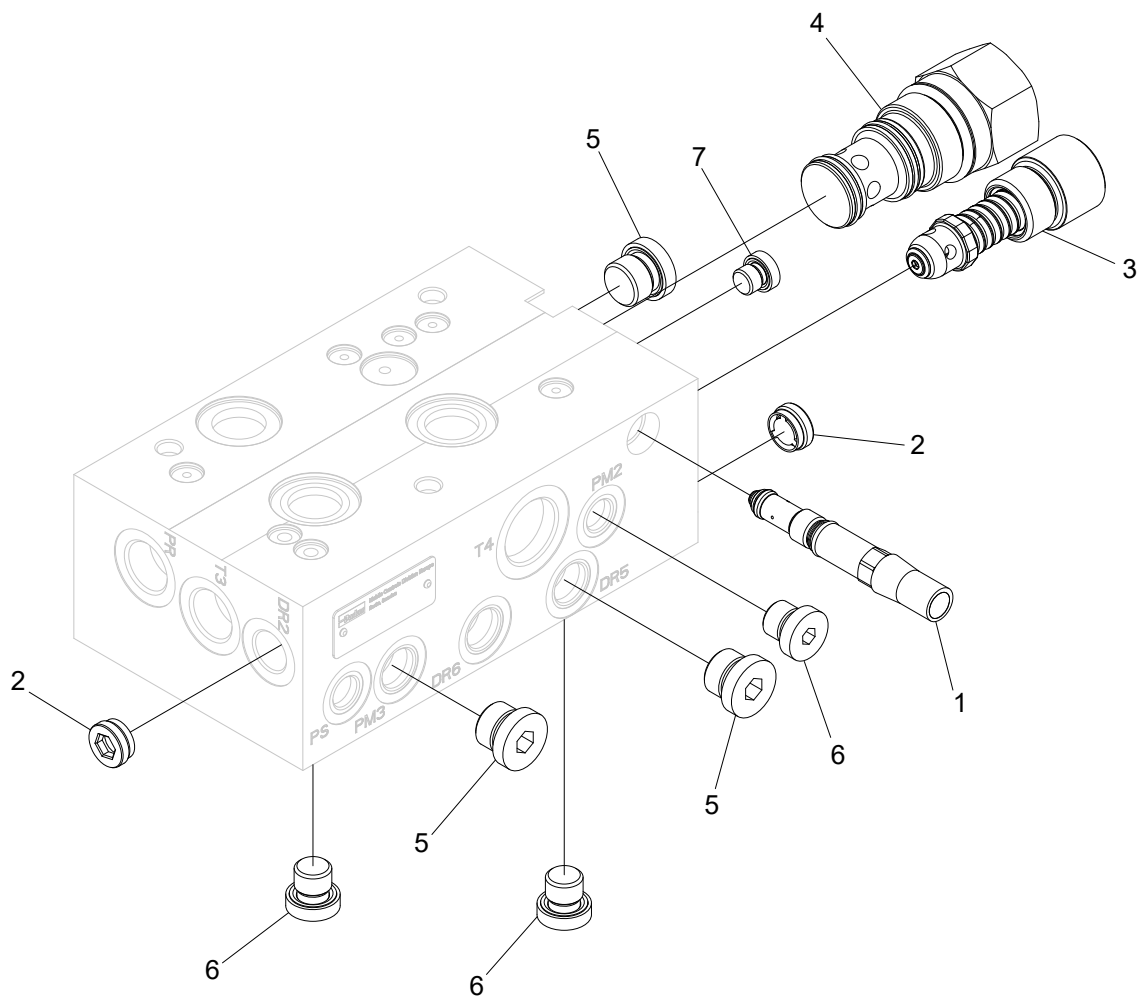
Check valve

Structure 617013				
Pos.	Part no.	Quantity	Description	Specification
1	620356	1	Seal kit	



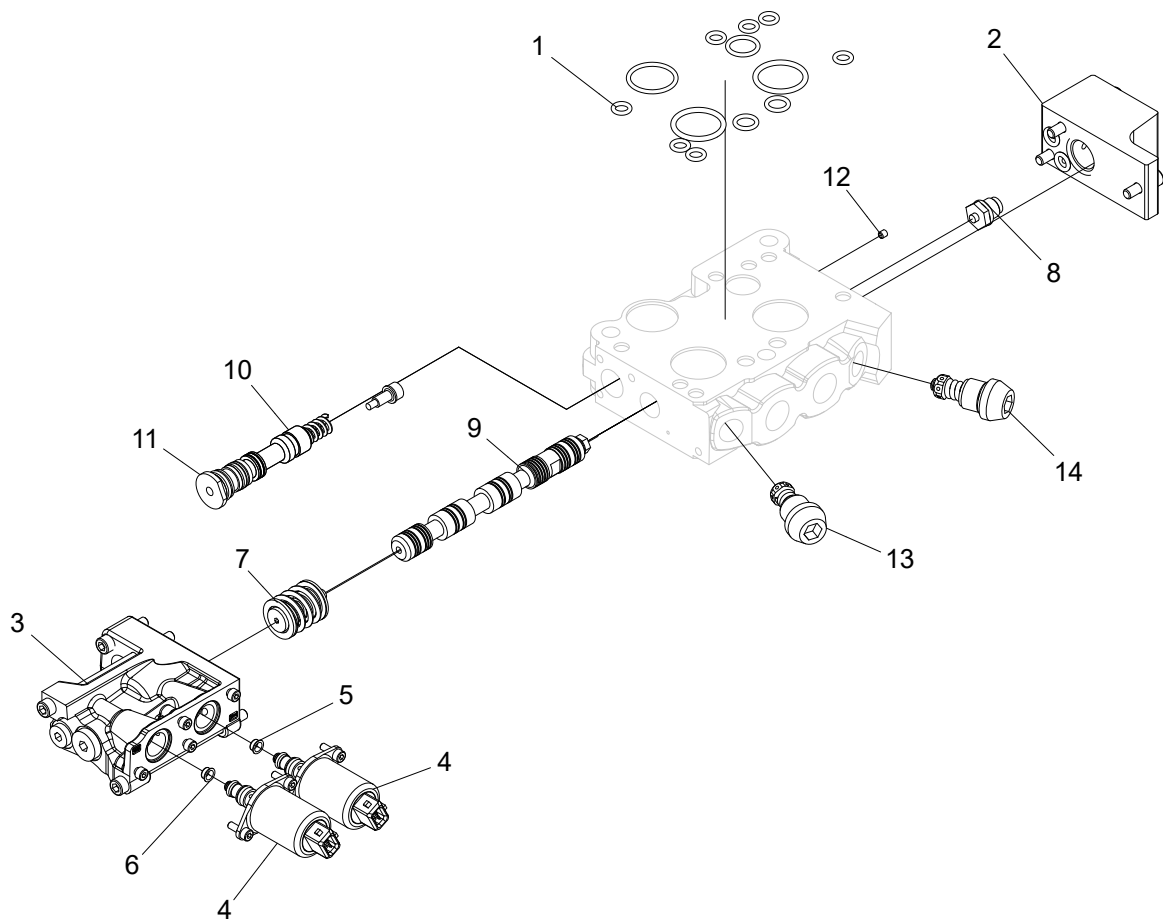
Right manifold, Power float

Structure 614028-02				
Pos.	Part no.	Quantity	Description	Specification
1	614116-05	1	Inlet manifold	S01
2	614111-12	1	Knife section	S02
3	614115-07	1	Feed section	S03
4	614114-06	1	Feed section	S04
5	614111-13	1	Knife section	S05
6	614110-01	1	End section	S06
7	620504	1	Tie rod kit	L = 290 mm



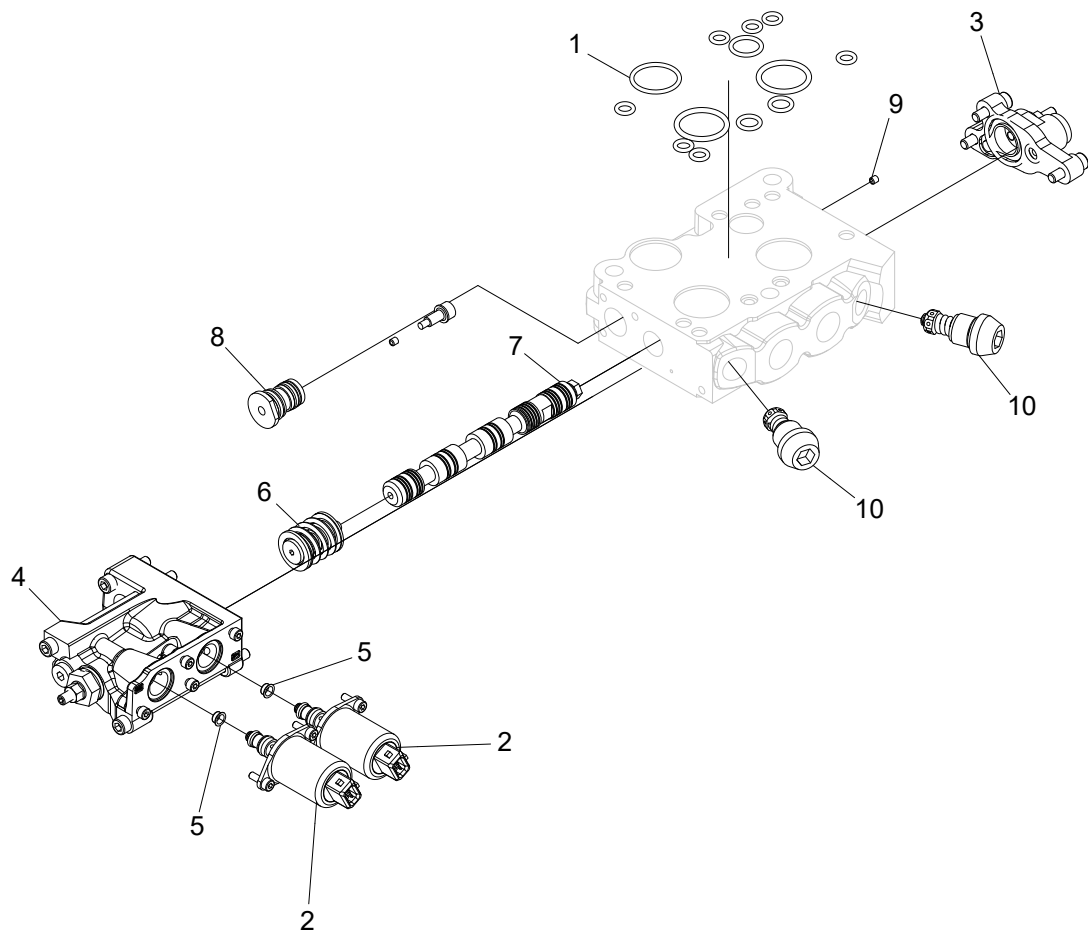
Inlet section S01

Structure 614116-05				
Pos.	Part no.	Quantity	Description	Specification
1	620397	1	Feed reducer	
2	617028	2	Check valve	
3	611196	1	Relief valve	330 bar
4	620543	1	Reducer valve	
5	601002	3	Hex plug	3/8"
6	601001	3	Hex plug	1/4"
7	601000	1	Hex plug	1/8"



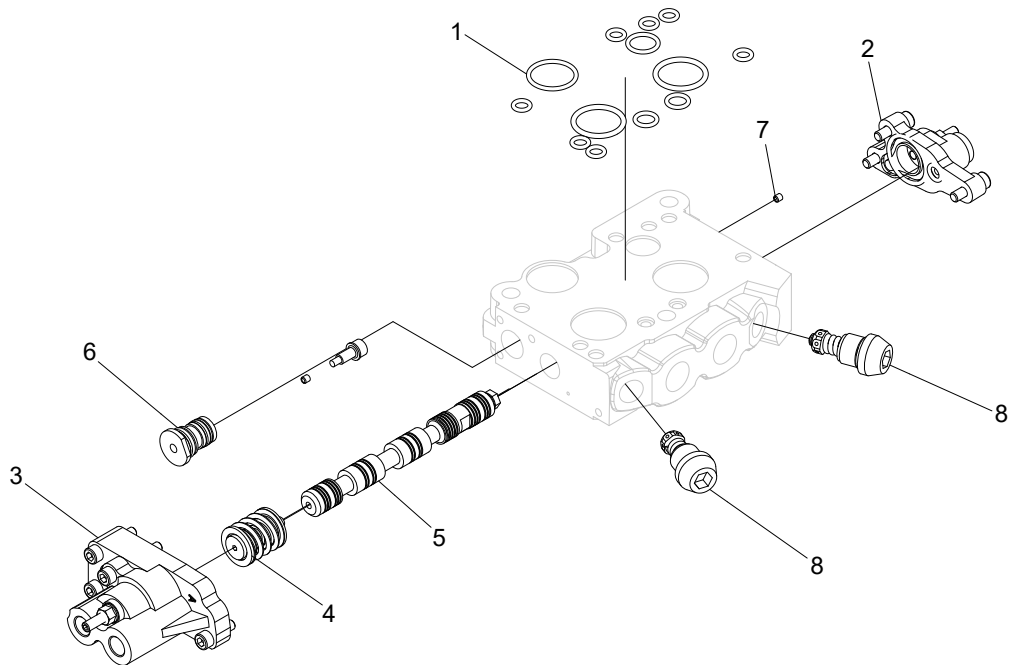
Knife section S02

Structure 614111-12				
Pos.	Part no.	Quantity	Description	Specification
1	620377	1	Seal kit	
2	620347	1	Cap	
3	620341	1	Cap	
4	620590	2	Solenoid	
5	620338	1	Restrictor	PS25 Ø0,7 mm
6	620339	1	Restrictor	PS25 Ø1 mm
7	620392	1	Spring kit	
8	620348	1	Pin kit	
9		1	Spool	
10	620386	1	Check valve	
11	620387	1	Check valve	
12		1	Restrictor	
13	620399	1	Relief valve	125 bar
14	620407	1	Relief valve	190 bar



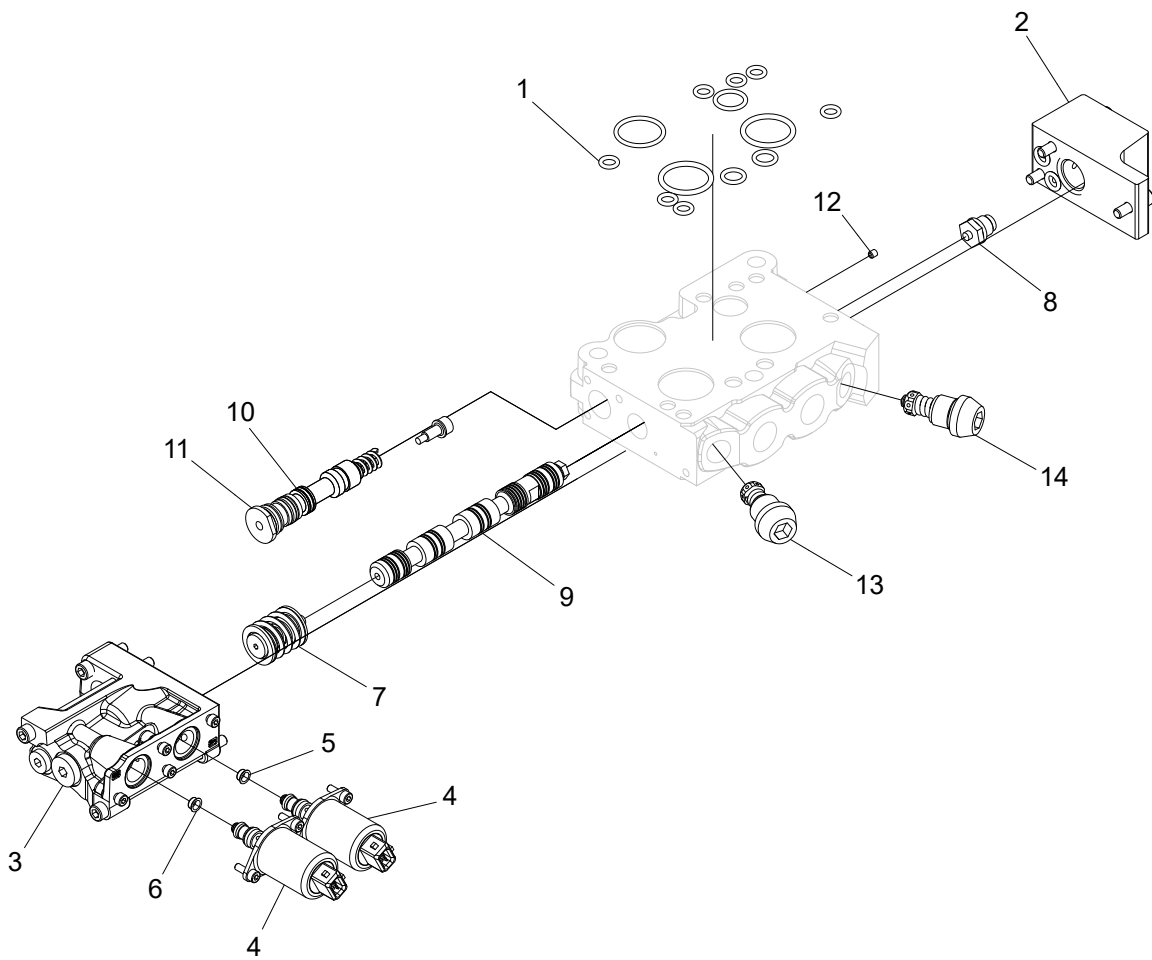
Feed section S03

Structure 614115-07				
Pos.	Part no.	Quantity	Description	Specification
1	620377	1	Seal kit	
2	620590	2	Solenoid	
3	620390	1	Cap	
4	620342	1	Cap	
5	620345	2	Restrictor	PS25 Ø1,2 mm
6	620485	1	Spring	
7	620454	1	Solenoid	
8		1	Plug	
9		1	Restrictor	
10	620400	2	Relief valve	320 bar



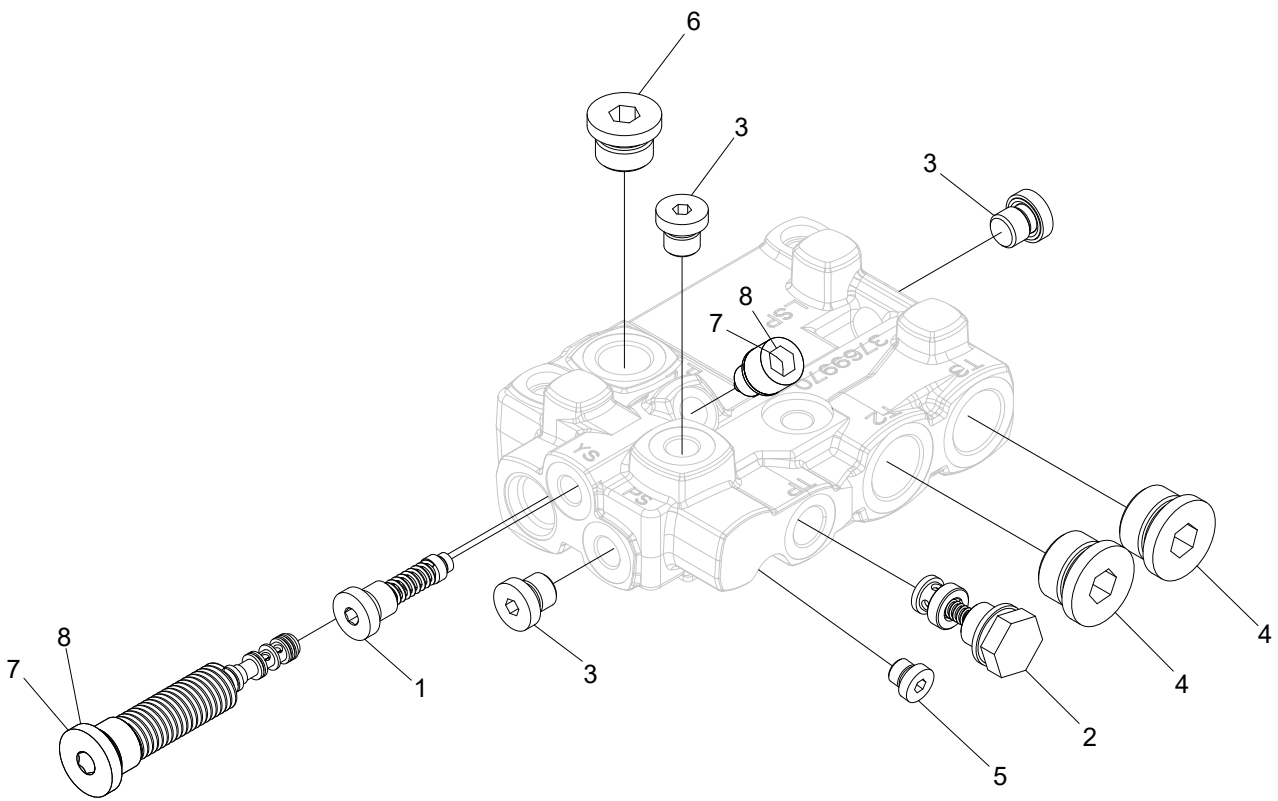
Feed section S04

Structure 614114-06				
Pos.	Part no.	Quantity	Description	Specification
1	620377	1	Seal kit	
2	620390	1	Cap	
3	620391	1	Cap	
4	620485	1	Spring	
5	620454	1	Solenoid	
6		1	Plug	
7		1	Restrictor	
8	620400	2	Relief valve	320 bar



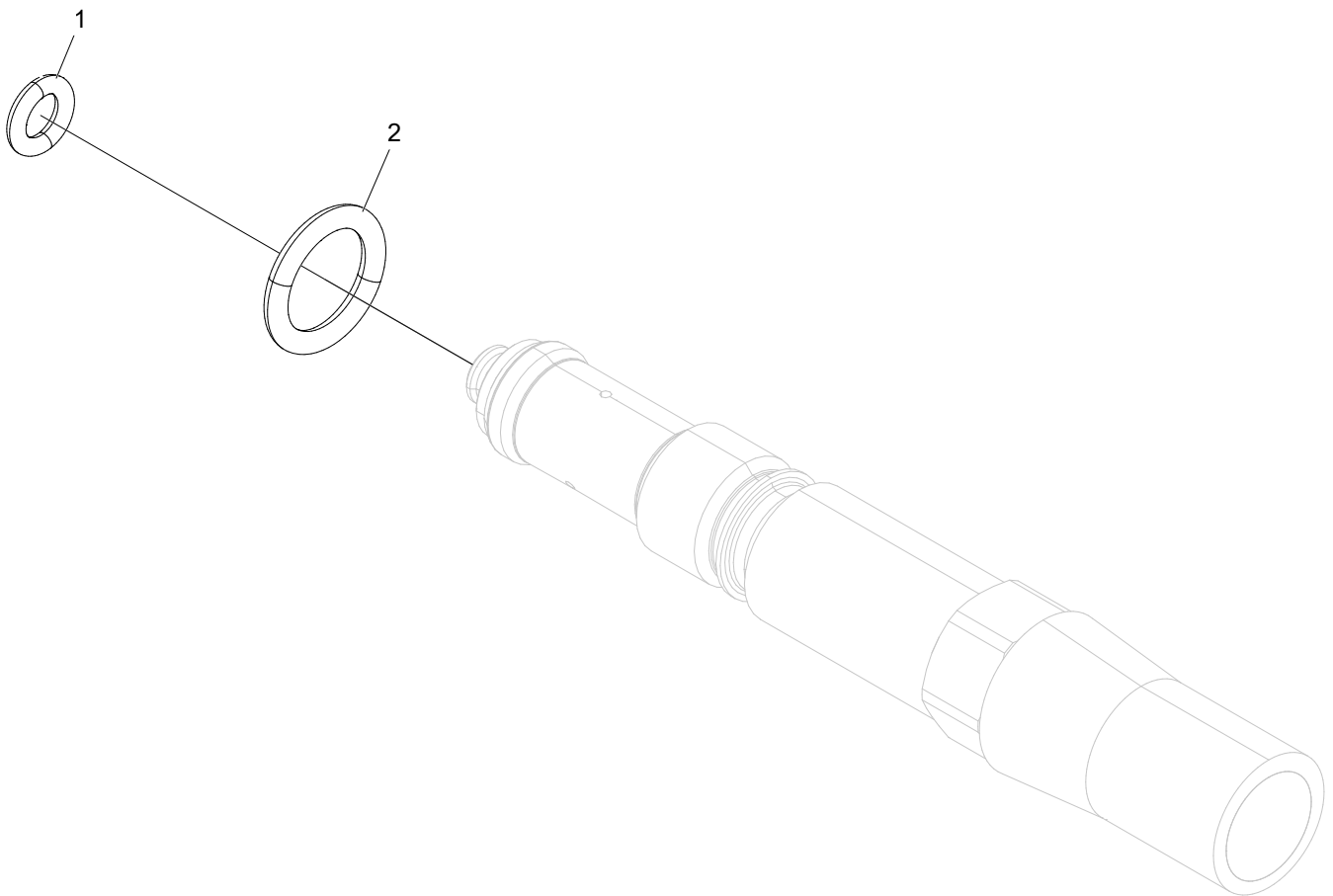
Knife section S05

Structure 614111-13				
Pos.	Part no.	Quantity	Description	Specification
1	620377	1	Seal kit	
2	620347	1	Cap	
3	620341	1	Cap	
4	620590	2	Solenoid	
5	620338	1	Restrictor	PS25 Ø0,7 mm
6	620339	1	Restrictor	PS25 Ø1 mm
7	620392	1	Spring	
8	620348	1	Pin kit	
9		1	Solenoid	
10	620386	1	Check valve	
11	620387	1	Check valve	
12		1	Restrictor	
13	620399	1	Relief valve	125 bar
14	620404	1	Relief valve	210 bar



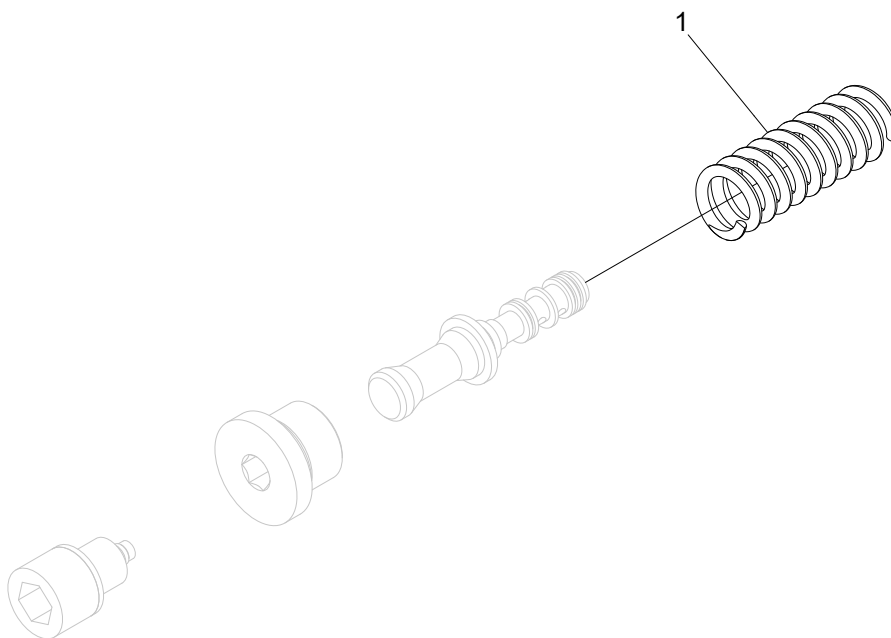
End section S06

Structure 614110-01				
Pos.	Part no.	Quantity	Description	Specification
1	620426	1	Pilot filter	
2	617070	1	Check valve	
3	601001	3	Hex plug	1/4"
4	601004	2	Hex plug	3/4"
5	601000	1	Hex plug	1/8"
6	601003	1	Hex plug	1/2"
7	620417	1	Reducer valve	G
8	620418	1	Reducer valve	R



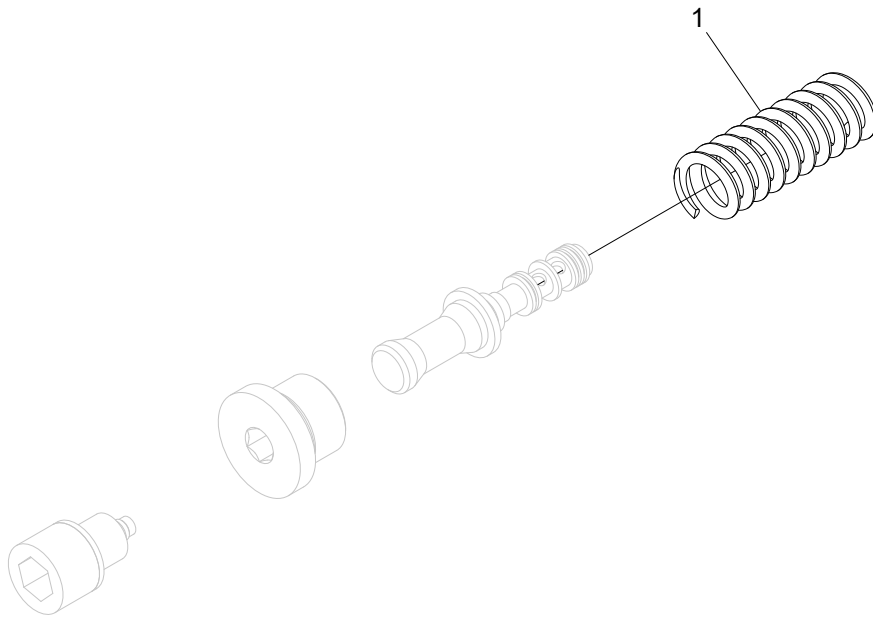
Feed reducer

Structure 620397				
Pos.	Part no.	Quantity	Description	Specification
1	540001	1	O-ring	4.1x1.6
2	543022	1	O-ring	9.5x2.0



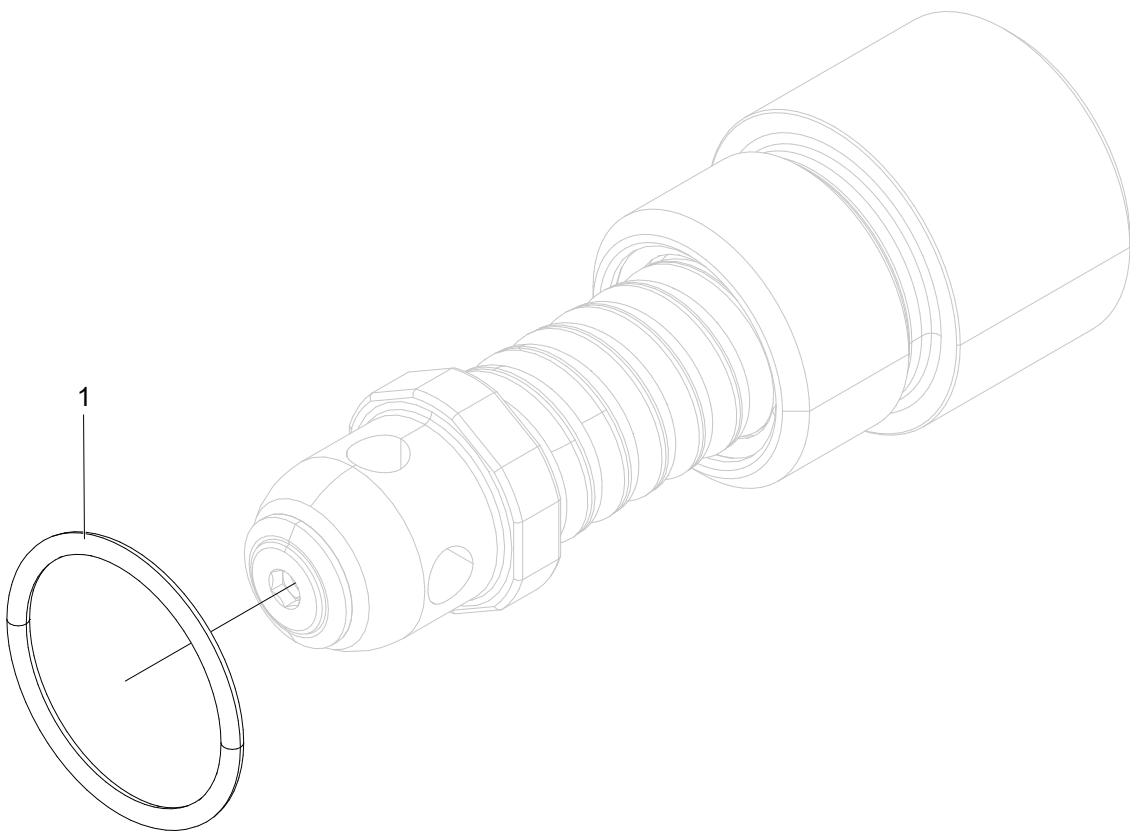
Pilot reducer

Structure 620417				
Pos.	Part no.	Quantity	Description	Specification
1	620425	1	Spring	35 bar



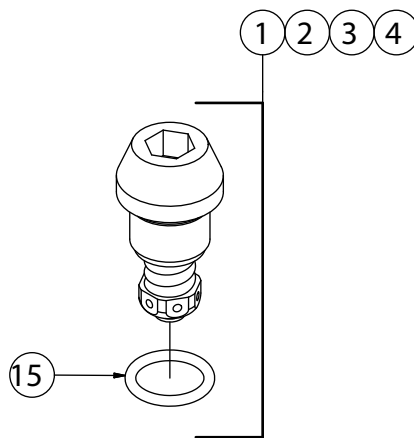
Pilot reducer

Structure 620418				
Pos.	Part no.	Quantity	Description	Specification
1	620425	1	Spring	35 bar



Relief valve

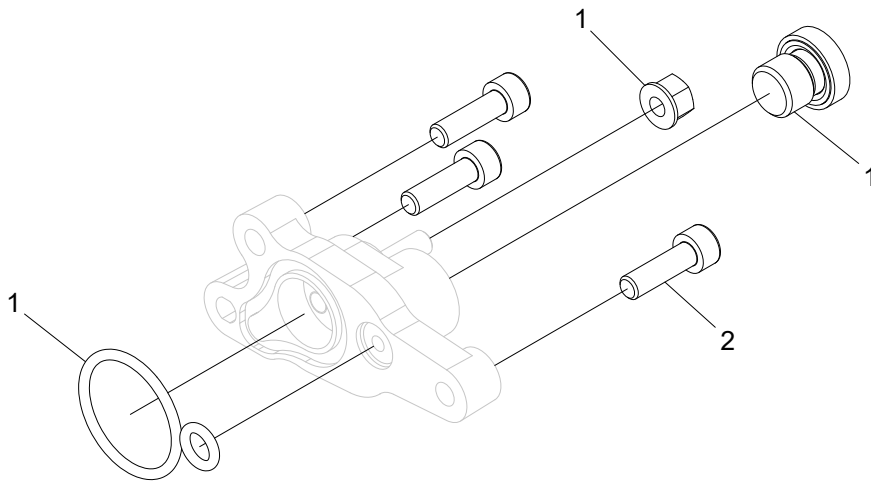
Structure 611196				
Pos.	Part no.	Quantity	Description	Specification
1	540047	1	O-ring	21.95x1.78



07/012

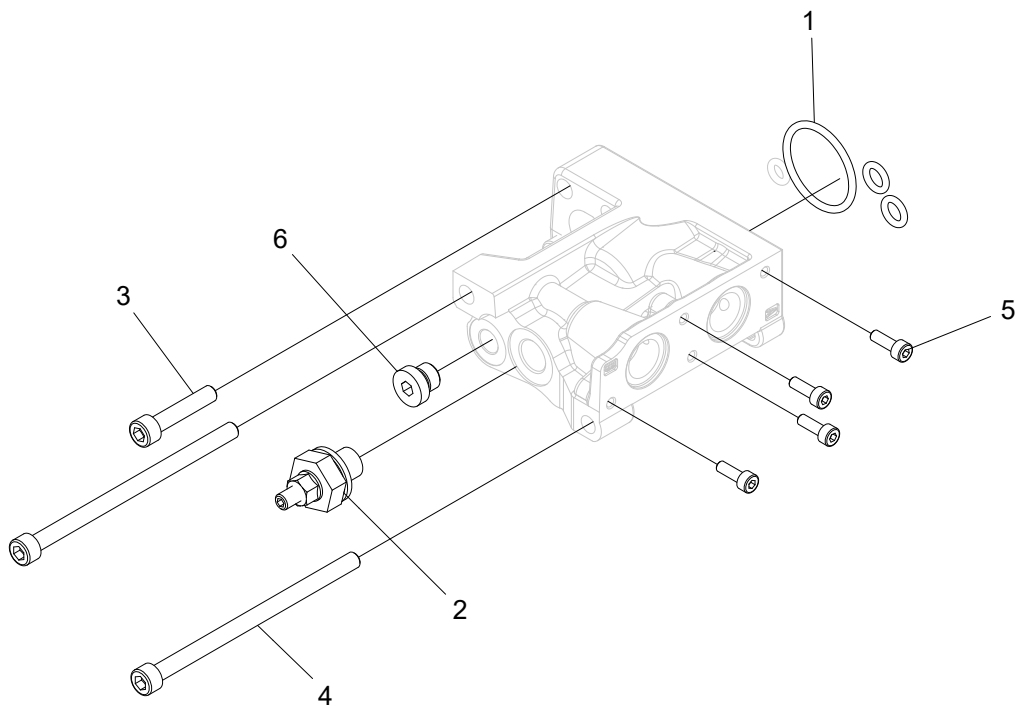
Relief valves

Structure 620399, 620407, 620404, 620400				
Pos.	Part no.	Quantity	Description	Specification
1	620399	1	Relief valve	125 bar
2	620407	1	Relief valve	190 bar
3	620404	1	Relief valve	210 bar
4	620400	1	Relief valve	320 bar
15	540072	1	O-ring	15.3x2.4



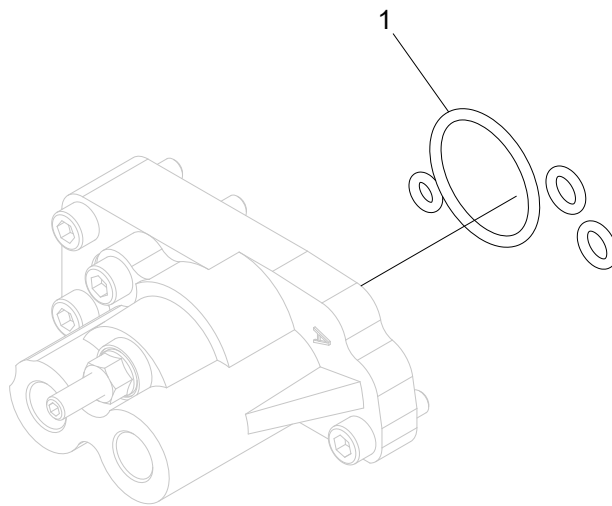
Cap

Structure 620390				
Pos.	Part no.	Quantity	Description	Specification
1	620383	1	Seal kit	
2	501046	3	Screw	M6x20 12.9



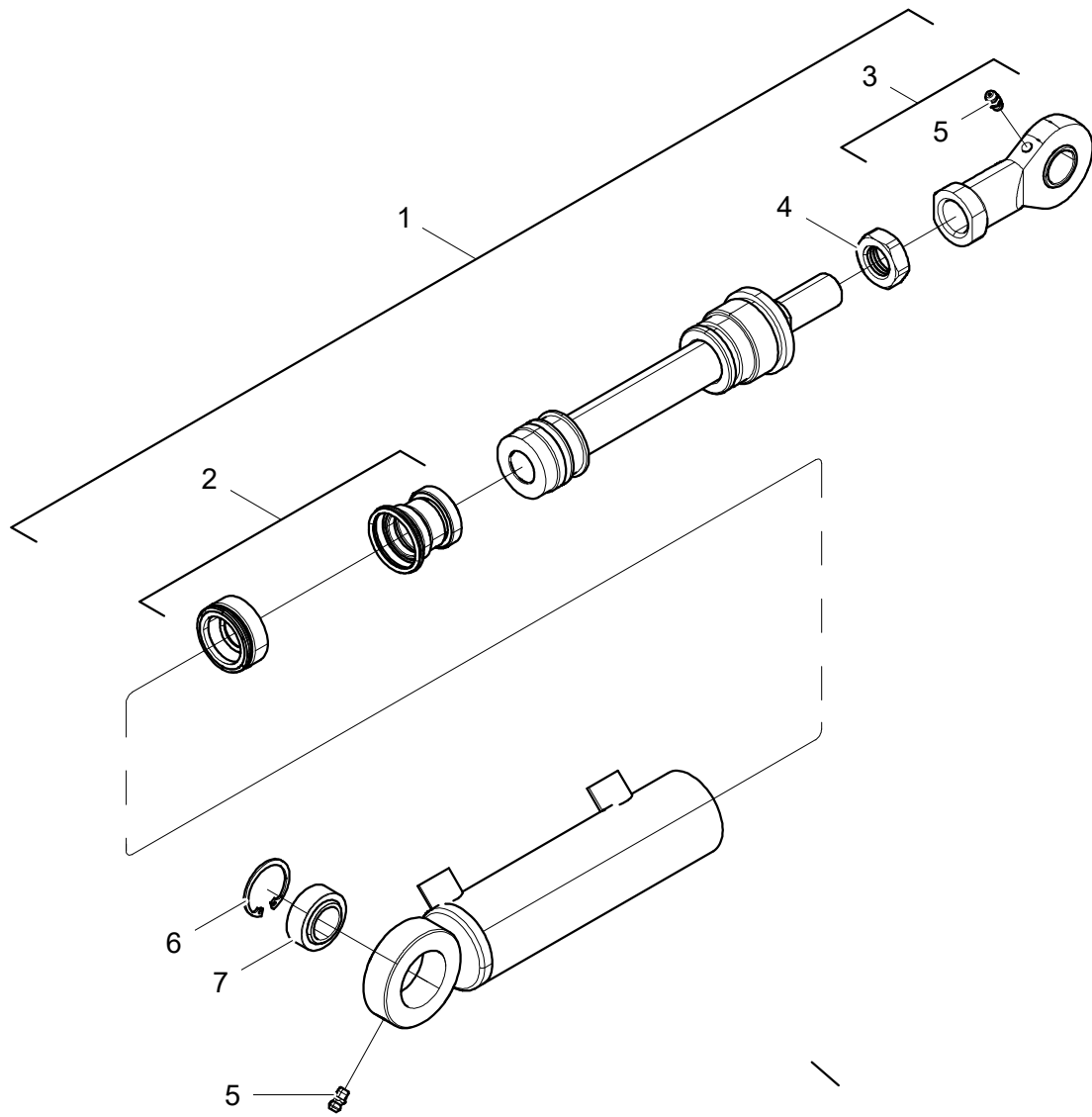
Cap

Structure 620342				
Pos.	Part no.	Quantity	Description	Specification
1	620379	1	Seal kit	
2	620446	1	Spool limiter kit	
3	501049	2	Screw	M6x30 12.9
4	501061	2	Screw	M6x100 12.9
5	501014	4	Screw	M4x12 12.9
6	601000	1	Hex plug	1/8"



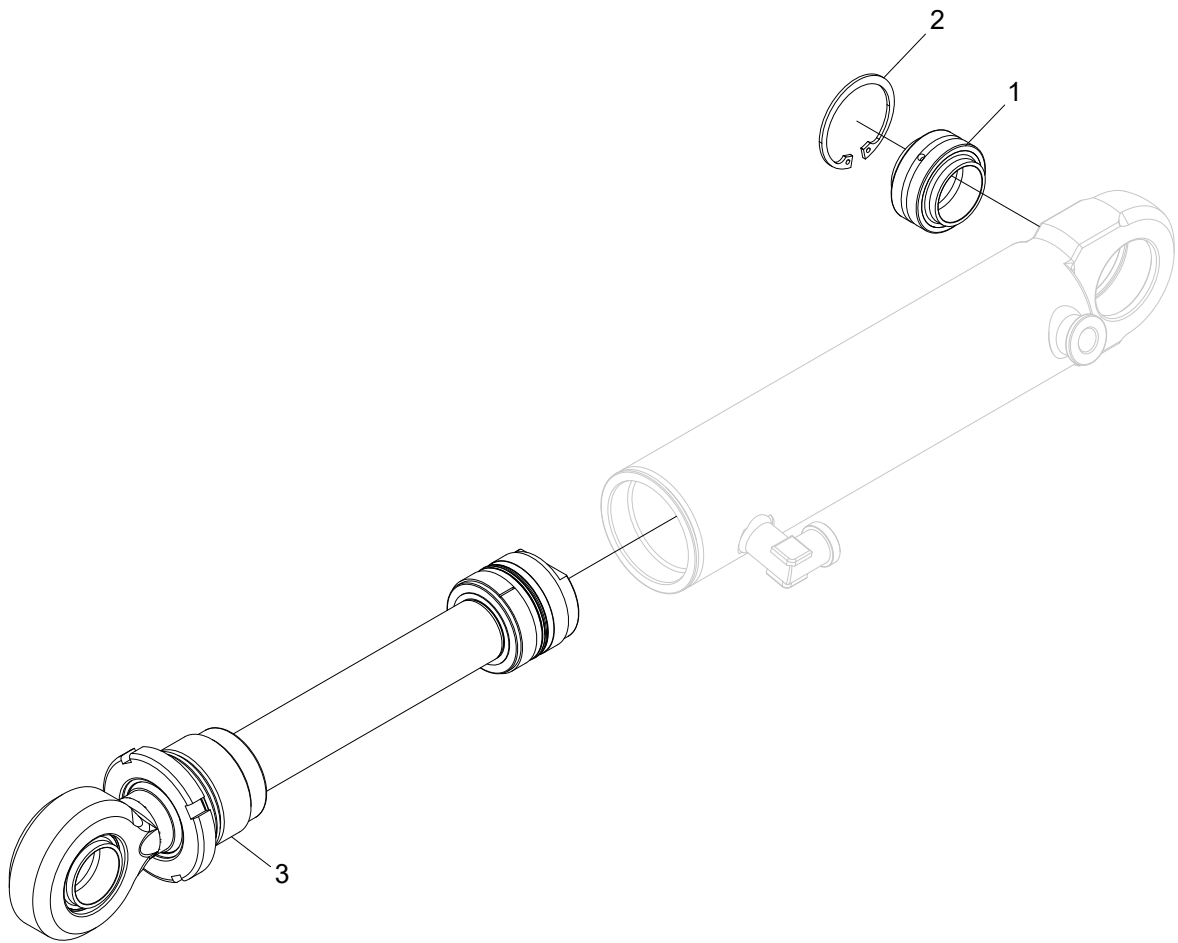
Cap

Structure 620391				
Pos.	Part no.	Quantity	Description	Specification
1	620379	1	Seal kit	



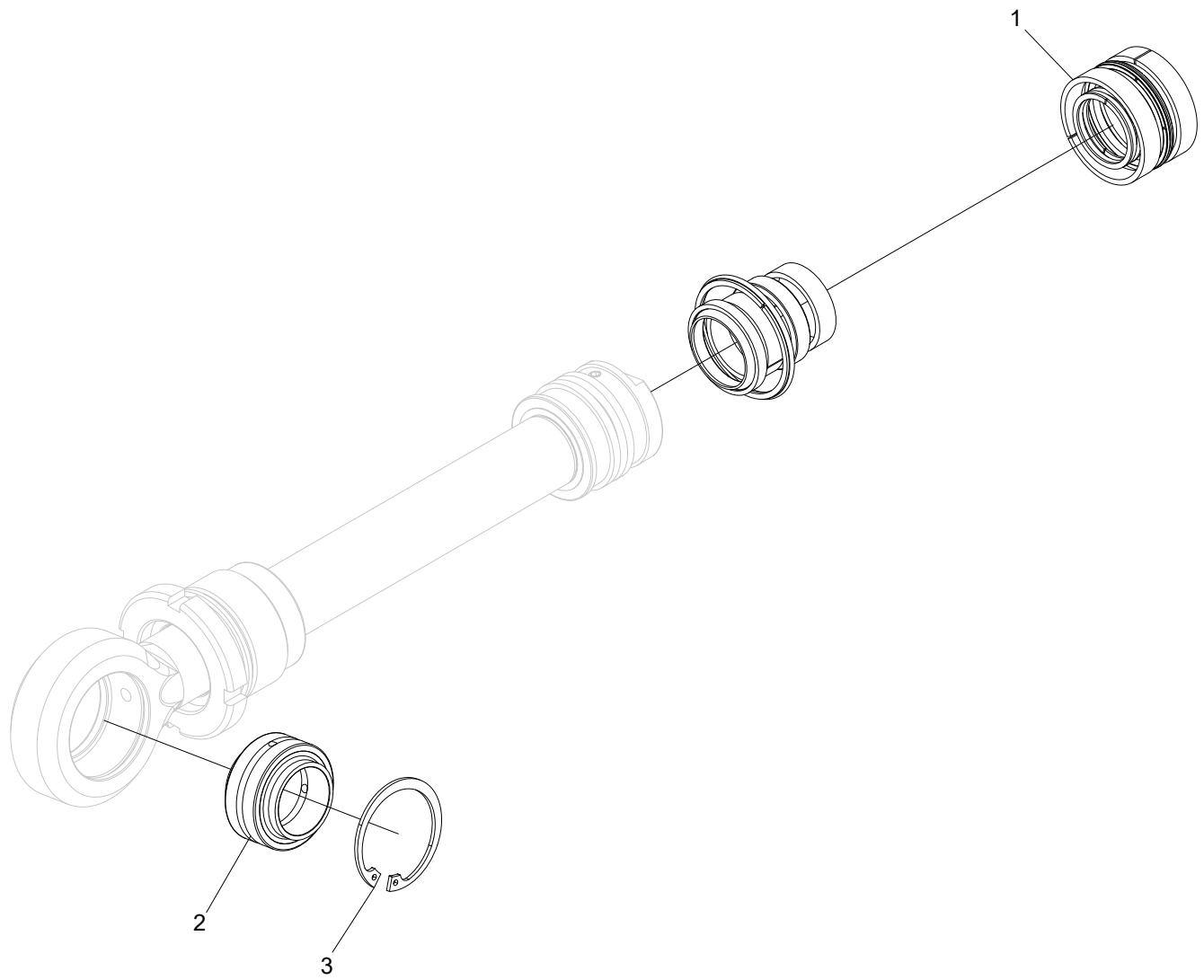
Cylinder Ø40/25 - 106

Structure 015669				
Pos.	Part no.	Quantity	Description	Specification
1	620631-KIT	1	Rod kit	
2	620071	1	Seal kit	
3	510120	1	Link head	
4	502704	1	Nut	M20x1.5
5	625004	1	Grease nipple	M6
6	517227	1	Lock ring	JV 35
7	510005	1	Spherical bushing	GE 20 ES



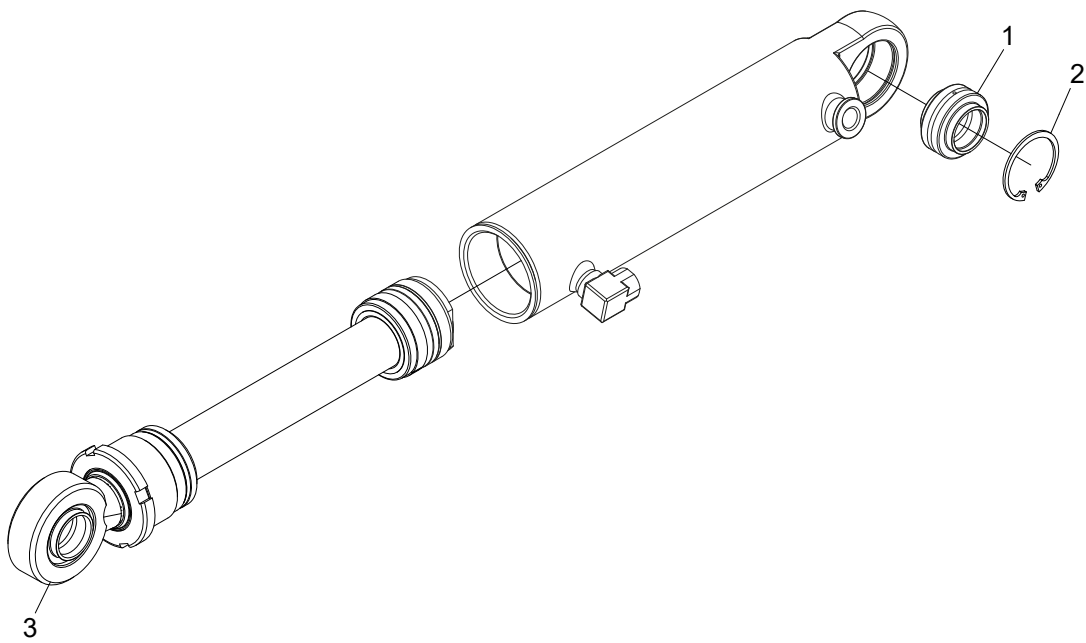
Hydraulic cylinder

Structure 018987				
Pos.	Part no.	Quantity	Description	Specification
1	510007	1	Spherical bushing	GE30HO-2RS
2	517240	1	Circlip	SGH 47
3	10000253	1	Rod kit	



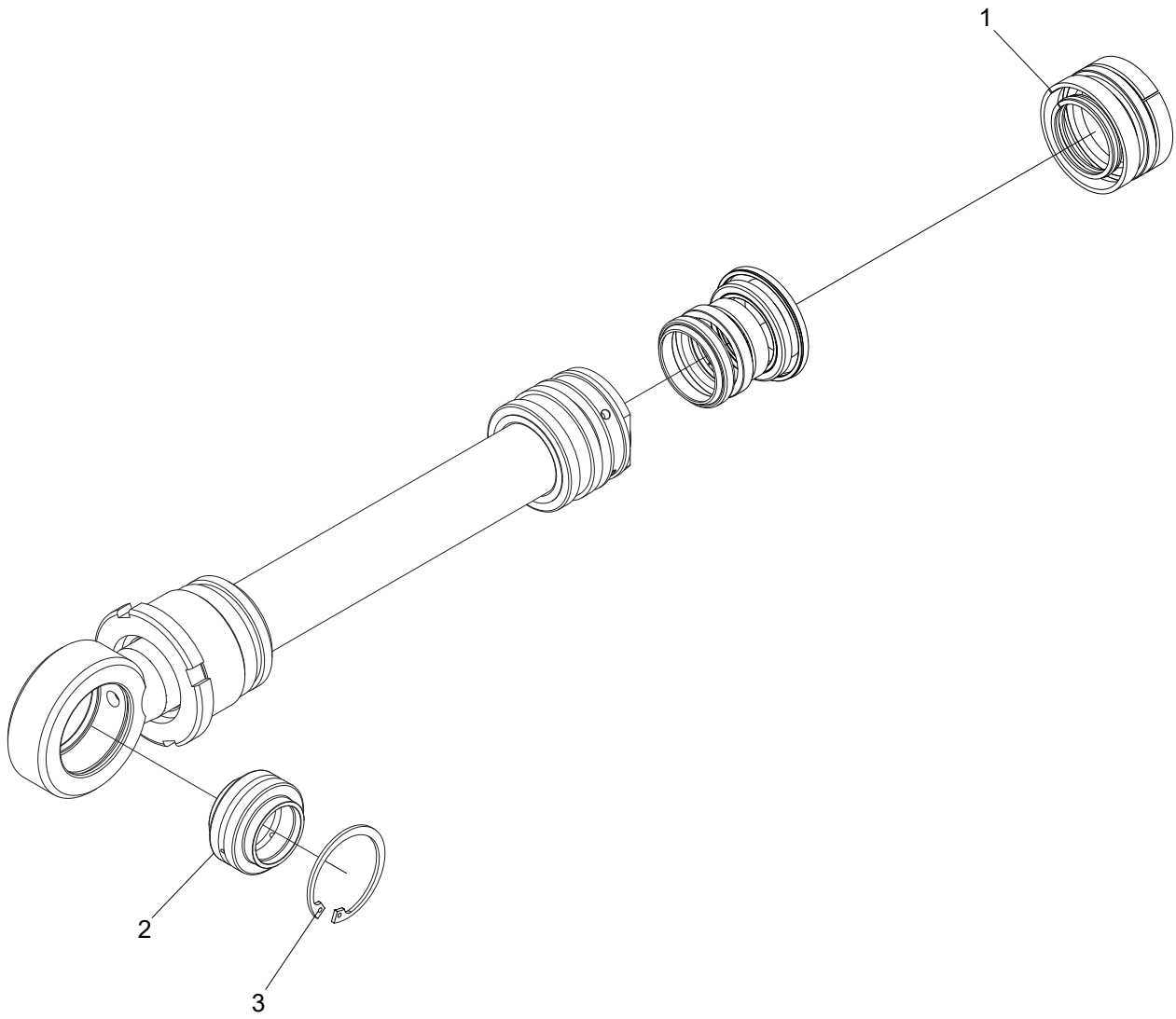
Rod kit

Structure 10000253				
Pos.	Part no.	Quantity	Description	Specification
1	10000241	1	Seal kit	
2	510007	1	Spherical bushing	GE30HO-2RS
3	517240	1	Circlip	SGH 47



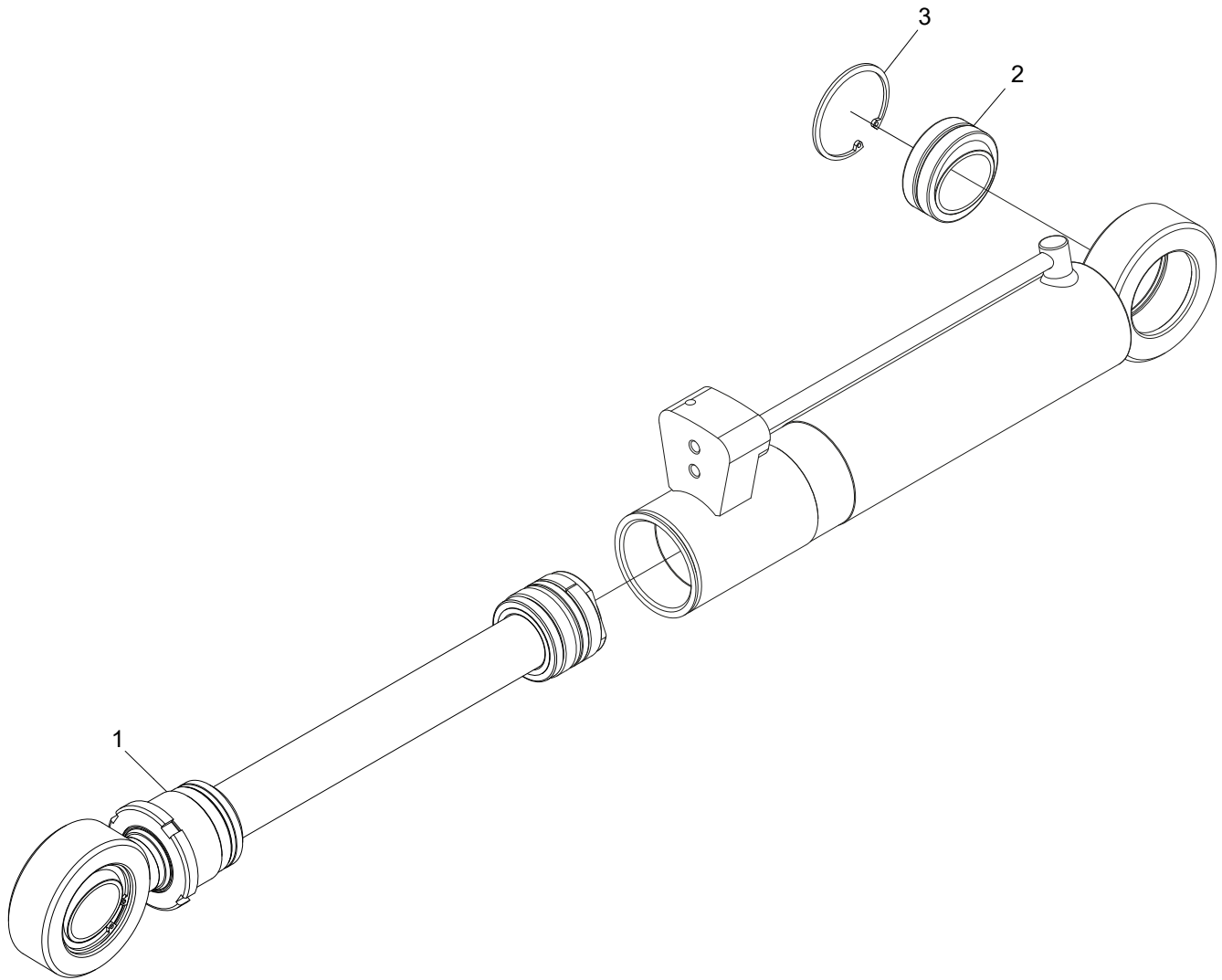
Hydraulic cylinder

Structure 018997				
Pos.	Part no.	Quantity	Description	Specification
1	510050	1	Spherical bushing	GEEW32-ES
2	517245	1	Circlip	SGH 52
3	10000481	1	Rod kit	



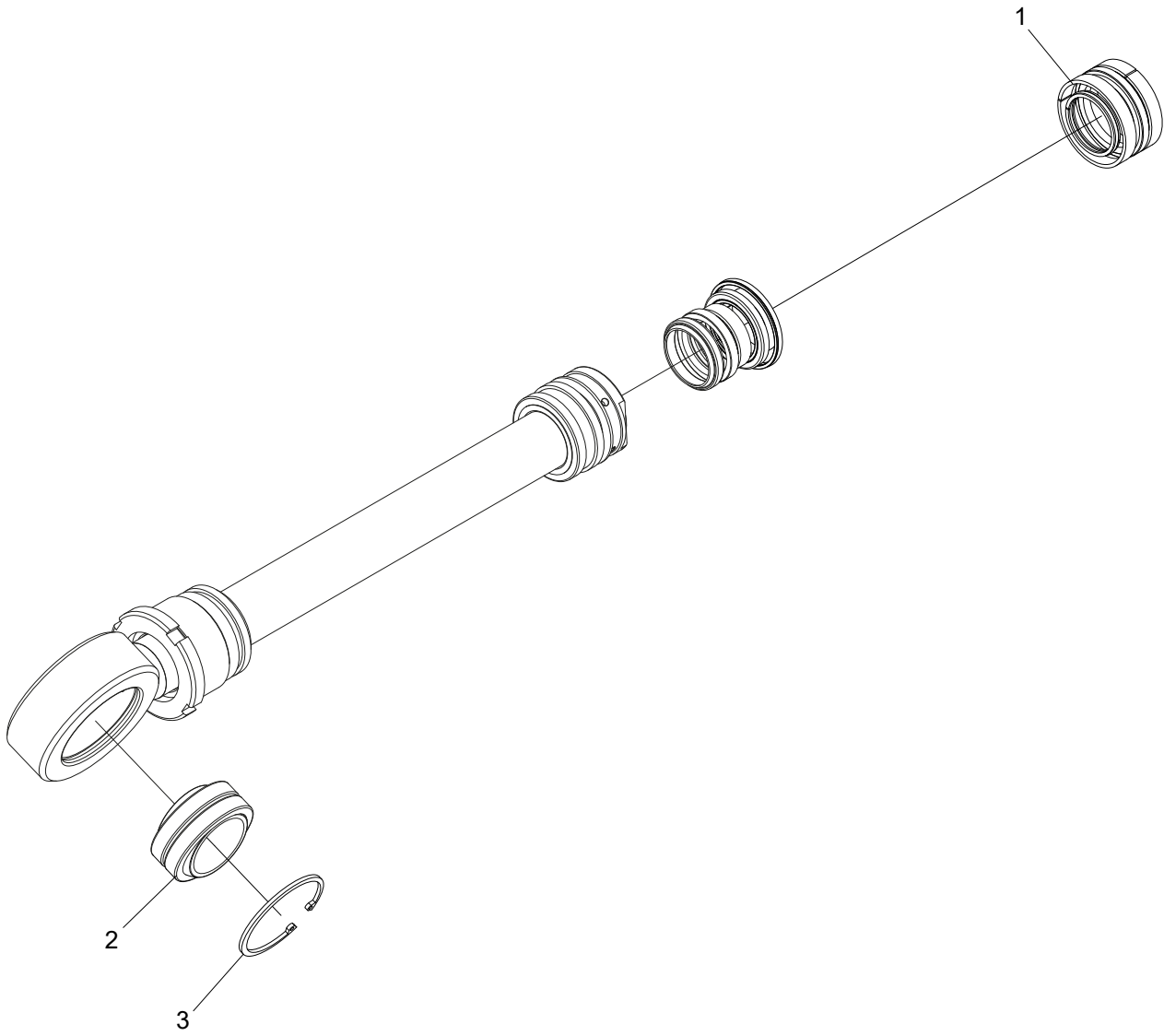
Rod kit

Structure 10000481				
Pos.	Part no.	Quantity	Description	Specification
1	10000480	1	Seal kit	
2	510050	1	Spherical bushing	GEEW32-ES
3	517245	1	Circlip	SGH 52



Hydraulic cylinder

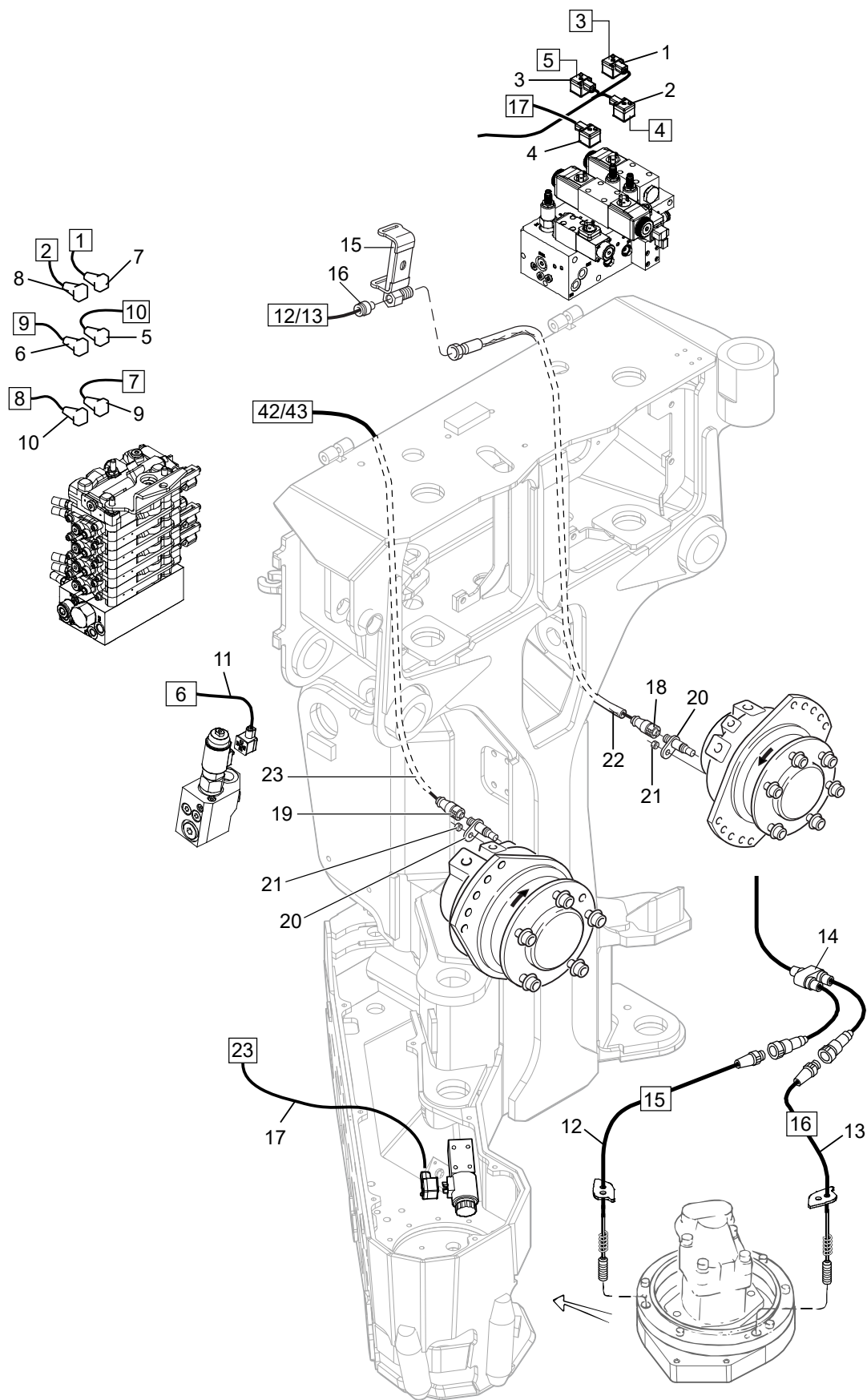
Structure 018989				
Pos.	Part no.	Quantity	Description	Specification
1	10000248	1	Rod kit	
2	510011	1	Spherical bushing	GE45-ES
3	517253	1	Circlip	SGH 68



Rod kit

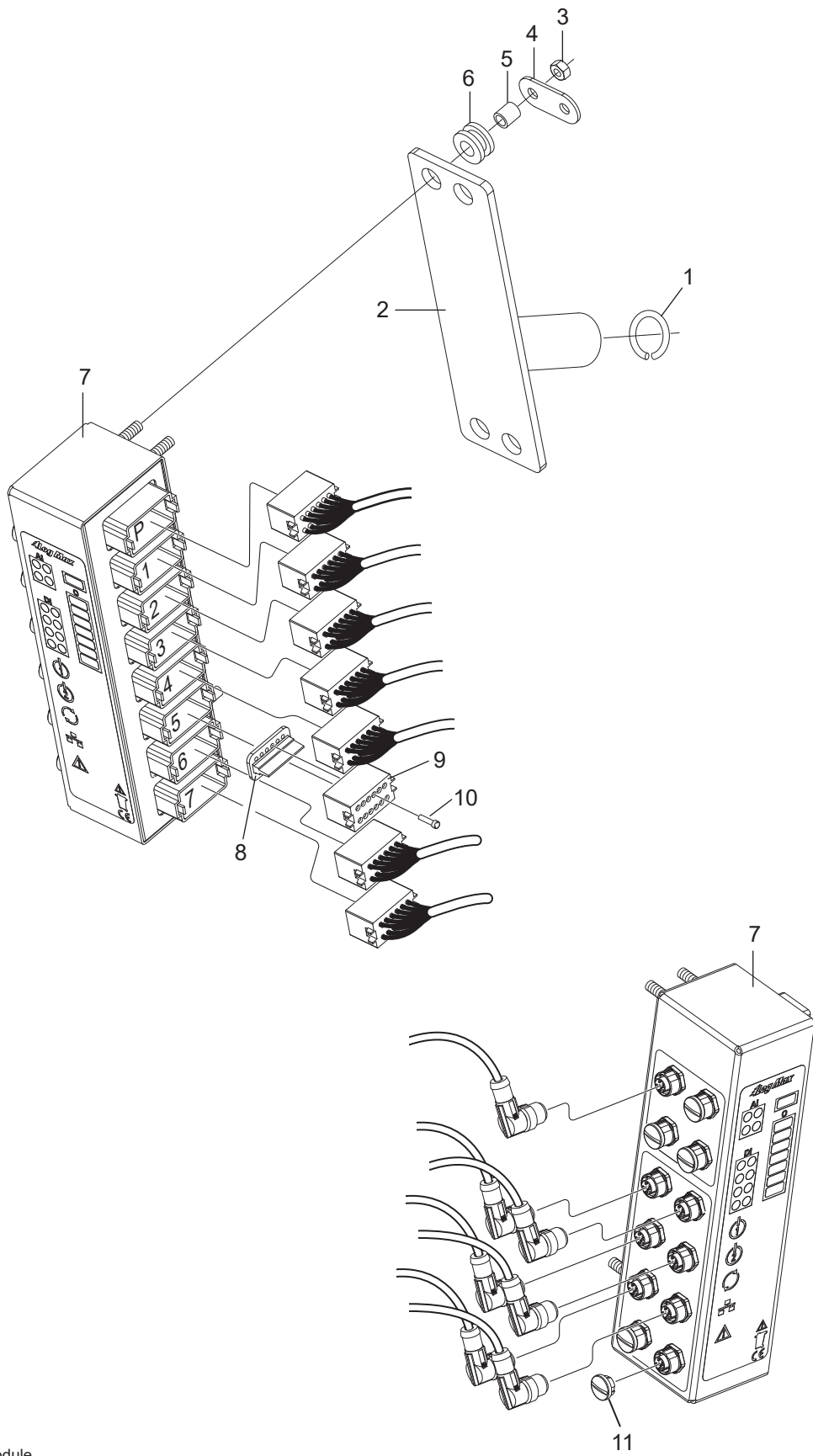
Structure 10000248				
Pos.	Part no.	Quantity	Description	Specification
1	10000244	1	Seal kit	
2	510011	1	Spherical bushing	GE45-ES
3	517253	1	Circlip	SGH 68

10. Control system



Log Mate 510

Structure 006307-H, 006307-V, 033625-2-KABE, 055003				
Pos.	Part no.	Quantity	Description	Specification
1	401232	1	Cable	"3"
2	401232	1	Cable	"4"
3	401232	1	Cable	"5"
4	401232	1	Cable	"17"
5	401296	1	Cable	"10"
6	401296	1	Cable	"9"
7	401296	1	Cable	"1"
8	401296	1	Cable	"2"
9	401296	1	Cable	"7"
10	401296	1	Cable	"8"
11	401232	1	Cable	"6"
12	017283	1	Cable	"15"
13	017283	1	Cable	"16"
14	017325	1	Cable	
15	014286	1	Hose guide	R 3/8" – PG 9
16	401770	1	Cable sleeve	PG 9
17	401233	1	Cable	"23"
18	401292	1	Cable	"12/13" Left / Vänster
19	401292	1	Cable	"42/43" Right / Höger
20	635244	2	RPM – sensor	
21	502054	2	Nut	M8
22	646550	1	Hose 6550	Left / Vänster
23	646567	1	Hose 6567	Right / Höger

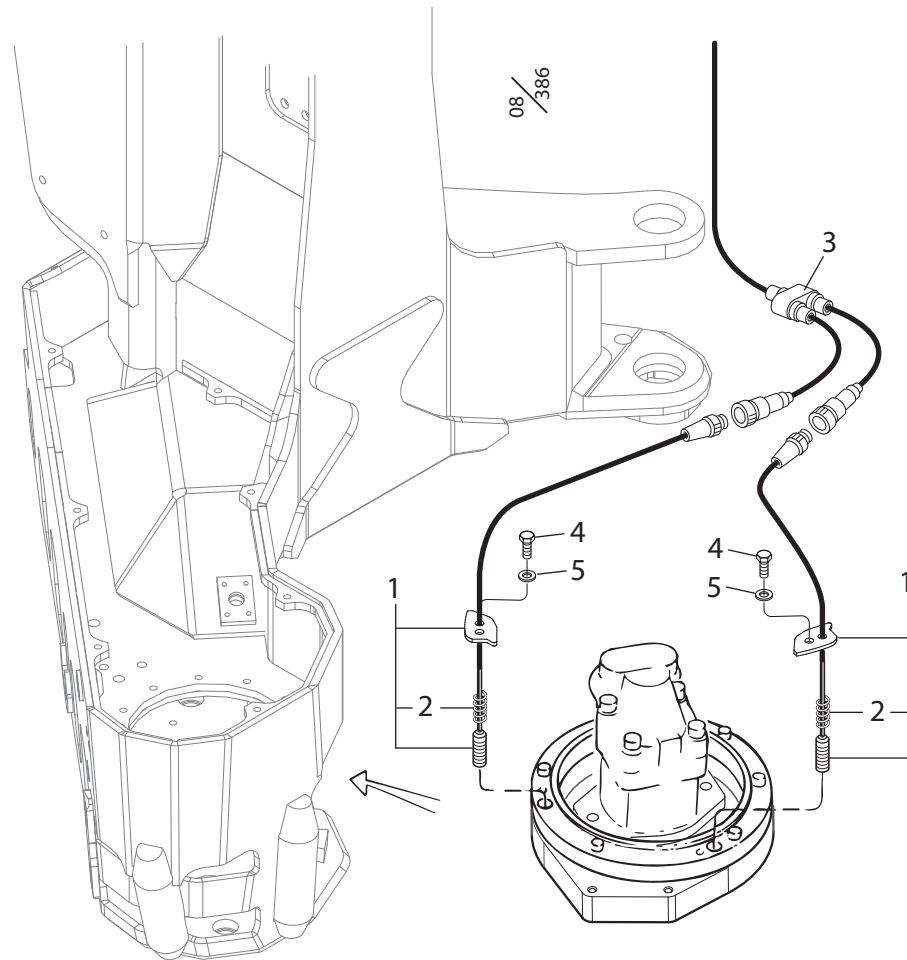


08 /
026

Log Mate 510 Head Module

Fastener

Structure 049125				
Pos.	Part no.	Quantity	Description	Specification
1	517004	1	Lock ring	
2	016854	1	Bracket	
3	502053	5	Nut	M6 Locking Low / Låg
4	016852	2	Washer	
5	402585	4	Spacer sleeve	6x10 – 9
6	402059	4	Rubber bushing	
7	402610	1	Term box	
8	402086	Req / Erf	Wedge	DT06 12-POL
9	402080	Req / Erf	Connector	DT06 – 12SBCE
10	402077	Req / Erf	Plug	White / Vit
11	401310	Req / Erf	Cover	M12 Female / Hona



Log Max 4000B/ 5000D/ 6000B/ 6000Twin/ 7000C/ 7000Twin/ E6

Electrical system, saw unit 98

Structure 006312				
Pos.	Part no.	Quantity	Description	Specification
1	017283	2	Magnetic sensor	
2	526030	2	Spring	
3	017325	1	Cable	
4	501043	2	Screw	MC6S M6x12 12.9
5	503065	2	Washer	M6 Nordlock

11. Hose kits

Hose kit Log Max E6
General Hose Kit

From Head no. 260082

Language **en**
Part No. **646500/260082**
V. 241101

Crimp. = Crimp diameter | cyl. = cylinder | Ex. = External | L. = Left | Lo. = Lower | Mani. = Manifold
Meas. Wheel = Measuring Wheel | No. = number | Pres. Rating = Pressure Rating | Red. = Reducer | R. = Right
SBR = Saw Bar Rescue | Str. = Straight | Stump treatm. = Stump treatment | Tot. = Total | U. = Upper | WEOPi = WEO Plug-In

Hose no.	Connections		Fittings		Ferrules	Length	Hose type		Note
	Connection 1	Connection 2	Fitting 1	Fitting 2			Part no.	Size	
615050	Hose guard					Total Cut	Pres. Rating	Standard	Hose guard
	Felling link cylinder					900 mm	1"		
615051	Hose guard					750 mm	2"		
	R. Roller motor								
615051	Hose guard					750 mm	2"		
	L. Roller motor								
615019	Protective hose 8mm					260 mm			
	Upper Knife sensor								
646516	R. Lo. knife		BSP -02 Banjo		601531	128 mm	1/4"	615091	
	Grease hole frame		BSP -02 90		601527	110 mm			
646568	L. Lo. knife		BSP -02 Banjo		601531	88 mm	1/4"	615091	45°
	Grease hole frame		BSP -02 90		601527	70 mm			
646512	R. Manifold S5 B		BSP -04 Str.		601150	406 mm	1/4"	615071	
	R. Knife cyl. B		BSP -04 90		601170	370 mm	450 bar	EN 857 2SC	
646514	R. Manifold S5 B		BSP -04 90		601170	485 mm	1/4"	615071	180°
	L. Knife cyl. B		BSP -04 90		601170	450 mm	450 bar	EN 857 2SC	
646523	L. Manifold SM		BSP -04 90		601170	216 mm	1/4"	615071	
	Test Point SM		BSP -04 Str.		601150	180 mm	450 bar	EN 857 2SC	
646524	L. Manifold P2		BSP -04 90		601170	226 mm	1/4"	615071	
	Test Point P2		BSP -04 Str.		601150	190 mm	450 bar	EN 857 2SC	
646528	Air bleed oil tank		BSP -04 Banjo		601149	531 mm	1/4"	615071	
			BSP -04 Str. Ex.		601159	480 mm	450 bar	EN 857 2SC	

General - No protection

Hose kit Log Max E6

Language en

General Hose Kit

Part No. 646500/260082

From Head no. 260082

V. 241101

Crimp. = Crimp diameter | cyl. = cylinder | Ex. = External | L. = Left | Lo. = Lower | Mani. = Manifold
 Meas. Wheel = Measuring Wheel | No. = number | Pres. Rating = Pressure Rating | Red. = Reducer | R. = Right
 SBR = Saw Bar Rescue | Str. = Straight | Stump treatm. = Stump treatment | Tot. = Total | U. = Upper | WEOPi = WEO Plug-In

Hose no.	Connections		Fittings		Ferrules Part no.	Length Total Cut	Hose type		Note		
	Connection 1	Connection 2	Fitting 1	Fitting 2			Part no.	Size		Pres. Rating	Part no. Standard
646531	R. Manifold S2 B		BSP -04 Str.		601150	1575 mm	1/4"	615071			
	L. Lo. Knife cyl. B		BSP -04 Banjo		601149	1530 mm	450 bar	EN 857 2SC			
646532	R. Manifold S2 B		BSP -04 Str.		601150	1495 mm	1/4"	615071			
	R. Lo. Knife cyl. B		BSP -04 Banjo		601149	1450 mm	450 bar	EN 857 2SC			
646574	R. Manifold S5 A		BSP -04 Str.		601150	505 mm	1/4"	615071	Power Float		
	L. Knife cyl. A		BSP -04 Banjo		601149	460 mm	450 bar	EN 857 2SC			
646575	R. Manifold S5 A		BSP -04 90		601170	814 mm	1/4"	615071	Power Float		
	R. Knife cyl. A		BSP -04 Banjo		601149	770 mm	450 bar	EN 857 2SC			
646576	R. Manifold S2 A		BSP -04 Banjo		601149	1373 mm	1/4"	615071	Power Float		
	L. Lo. Knife cyl. A		BSP -04 Banjo		601149	1320 mm	450 bar	EN 857 2SC			
646577	R. Manifold S2 A		BSP -04 Banjo		601149	1353 mm	1/4"	615071	Power Float		
	R. Lo. Knife cyl. A		BSP -04 Banjo		601149	1300 mm	450 bar	EN 857 2SC			
646519	L. Manifold A42		BSP -06 90		601171	981 mm	3/8"	615072			
	L. Roller arm cyl. B		BSP -06 Str.		601151	940 mm	385 bar	EN 857 2SC			
646520	L. Manifold B42		BSP -06 90		601171	835 mm	3/8"	615072	180°		
	L. Roller arm cyl. A		BSP -06 Banjo		601148	790 mm	385 bar	EN 857 2SC			
646521	L. Manifold B41		BSP -06 90		601171	1035 mm	3/8"	615072	130°		
	R. Roller arm cyl. A		BSP -06 Banjo		601148	990 mm	385 bar	EN 857 2SC			
646522	L. Manifold A43		BSP -06 90		601171	1341 mm	3/8"	615072			
	R. Roller arm cyl. B		BSP -06 Str.		601151	1300 mm	385 bar	EN 857 2SC			
646525	L. Manifold B43		BSP -06 Str.		601151	192 mm	3/8"	615072			
	Accumulator		BSP -08 Banjo		601370	140 mm	385 bar	EN 857 2SC			

General - No protection

Hose kit Log Max E6
General Hose Kit

From Head no. 260082

Language en

Part No. 646500/260082

V. 241101

Crimp. = Crimp diameter | cyl. = cylinder | Ex. = External | L. = Left | Lo. = Lower | Mani. = Manifold
 Meas. Wheel = Measuring Wheel | No. = number | Pres. Rating = Pressure Rating | Red. = Reducer | R. = Right
 SBR = Saw Bar Rescue | Str. = Straight | Stump treatm. = Stump treatment | Tot. = Total | U. = Upper | WEOPI = WEO Plug-In

Hose no.	Connections		Fittings		Ferrules	Length	Hose type			Note	
	Connection 1	Connection 2	Fitting 1	Part no.			Total	Size	Part no.		
			Fitting 2						Part no.		Standard
646529	L. Manifold A33		BSP -06 90	601171	601121	1451 mm	3/8"	615072			
646530	Felling link cyl. A		BSP -06 Str.	601151	601121	1410 mm	385 bar	EN 857 2SC			
			BSP -06 Str.	601151	601121	1471 mm	3/8"	615072			
646543	R. Manifold S1 DR1		BSP -06 90	601171	601121	1430 mm	385 bar	EN 857 2SC			
			BSP -06 Banjo	601148	601121	625 mm	3/8"	615072	90°		
646547	L. Manifold S1 DR2		BSP -06 90	601171	601121	580 mm	385 bar	EN 857 2SC			
			BSP -06 45	601176	601121	1173 mm	3/8"	615072			
646550	Protective hose		BSP -06 90	601171	601121	1110 mm	385 bar	EN 857 2SC			
			BSP -06 Str.	601151	601121	730 mm	3/8"	615072			
646567	R. Roller motor				601121	710 mm	385 bar	EN 857 2SC			
						760 mm	3/8"	615072			
646526	L. Manifold S1 PR				601121	760 mm	385 bar	EN 857 2SC			
						291 mm	1/2"	615073			
646527	L. Manifold T3		BSP -08 Str.	601152	601122	240 mm	345 bar	EN 857 2SC			
			BSP -08 Banjo	601184	601122	291 mm	1/2"	615073			
646561	R. Manifold S3 A		BSP -08 Str.	601152	601122	240 mm	345 bar	EN 857 2SC			
			BSP -08 Banjo	601184	601122	240 mm	345 bar	EN 857 2SC			
646562	R. Roller motor R		BSP -08	601569	601579	700 mm	5/8"	615037			
			BSP -10 90	601578	601579	700 mm	410 bar	EN 857 2SC			
646563	L. Roller motor L		BSP -08	601569	601579	720 mm	5/8"	615037			
			BSP -10 90	601578	601579	720 mm	410 bar	EN 857 2SC			
	L. Roller motor L		BSP -08	601569	601579	1200 mm	5/8"	615037			
			BSP -10 90	601578	601579	1200 mm	410 bar	EN 857 2SC			

General - No protection

Hose kit Log Max E6

Language **en**

General Hose Kit

Part No. **646500/260082**

From Head no. **260082**

V. 241101

Crimp. = Crimp diameter | cyl. = cylinder | Ex. = External | L. = Left | Lo. = Lower | Mani. = Manifold
 Meas. Wheel = Measuring Wheel | No. = number | Pres. Rating = Pressure Rating | Red. = Reducer | R. = Right
 SBR = Saw Bar Rescue | Str. = Straight | Stump treatm. = Stump treatment | Tot. = Total | U. = Upper | WEOPi = WEO Plug-In

Hose no.	Connections		Fittings		Ferrules	Length	Hose type			Note
	Connection 1	Connection 2	Fitting 1	Fitting 2			Part no.	Size	Part no.	
			Part no.	Part no.	Pres. Rating					
646564	R. Manifold S4 B		BSP -08		601579	1190 mm	5/8"	615037		
	L. Rollier motor R		BSP -10 90		601578	1190 mm	410 bar	EN 857 2SC		

General - No protection

Hose kit Log Max E6
SuperCut 100 - 19cc
From Head no. 260078

Language **en**
Part No. **646501/260078**
V. 241101

Crimp. = Crimp diameter | cyl. = cylinder | Ex. = External | L. = Left | Lo. = Lower | Mani. = Manifold
Meas. Wheel = Measuring Wheel | No. = number | Pres. Rating = Pressure Rating | Red. = Reducer | R. = Right
SBR = Saw Bar Rescue | Str. = Straight | Stump treatm. = Stump treatment | Tot. = Total | U. = Upper | WEOPI = WEO Plug-In

Hose no.	Connections		Fittings		Ferrules	Length	Hose type			Note	
	Connection 1	Connection 2	Fitting 1	Fitting 2			Part no.	Total	Size		Part no.
646537	Easy Greasy		BSP -02 90		601527	601539	305 mm	1/4"		615091	
	Saw motor R		BSP -02 90		601527	601539	270 mm				
646538	Grease hole frame		BSP -02 90		601527	601539	185 mm	1/4"		615091	
	Saw motor T		BSP -02 90		601527	601539	150 mm				
646559	R. Manifold S1 PS1		BSP -04 90		601160	601539	2344 mm	1/4"		615091	
	Saw motor S		BSP -02 90		601527	601539	2300 mm				
646535	L. Manifold B1		BSP -06 90		601171	601121	1752 mm	3/8"		615072	
	Saw bar feed cyl. A		BSP -06 90		601171	601121	1710 mm	385 bar		EN 857 2SC	
646536	L. Manifold A1		BSP -06 90°		601161	601121	351 mm	3/8"		615072	
	Restrictor check valve		BSP -06 Str.		601151	601121	300 mm	385 bar		EN 857 2SC	
646542	R. Manifold S1 DR4		BSP -06 90		601171	601121	2105 mm	3/8"		615072	
	Saw motor D		BSP -06 Banjo		601148	601121	2060 mm	385 bar		EN 857 2SC	
646554	Restrictor check valve		BSP -06 Str.		601151	601121	1441 mm	3/8"		615072	
	Saw bar feed cyl. B		BSP -06 90		601171	601121	1400 mm	385 bar		EN 857 2SC	
646539	Saw motor valve SP		BSP -12 Str.		601153	601123	1253 mm	3/4"		615074	
	Saw motor A		BSP -12 Str.		601153	601123	1200 mm	280 bar		EN 857 2SC	
646565	R. Manifold S1 T4		BSP -12 90		601372	601123	1825 mm	3/4"		615074	
	Saw motor B		BSP -12 Str.		601153	601123	1770 mm	280 bar		EN 857 2SC	

General - No protection

Hose kit Log Max E6

Language **en**

Rotator control

Part No. **646502/260034**

From Head no. 260034

V. 241101

Crimp. = Crimp diameter | cyl. = cylinder | Ex. = External | L. = Left | Lo. = Lower | Mani. = Manifold
 Meas. Wheel = Measuring Wheel | No. = number | Pres. Rating = Pressure Rating | Red. = Reducer | R. = Right
 SBR = Saw Bar Rescue | Str. = Straight | Stump treatm. = Stump treatment | Tot. = Total | U. = Upper | WEOPi = WEO Plug-In

Hose no.	Connections		Fittings		Ferrules	Length	Hose type			Note	
	Connection 1	Connection 2	Fitting 1	Part no.			Total	Size	Part no.		Standard
			Fitting 2								
649313	L. Manifold A2		BSP -04 90	601170	601125	1836 mm	1/4"	615071	615071	Marked A	
	Hose 9315 A		BSP -04 Str.	601150	601125	1800 mm	450 bar	EN 857 2SC	EN 857 2SC		
649314	L. Manifold B2		BSP -04 90	601170	601125	1836 mm	1/4"	615071	615071	Marked B	
	Hose 9319 B		BSP -04 Str.	601150	601125	1800 mm	450 bar	EN 857 2SC	EN 857 2SC		
649315	Hose 9313 A		BSP -04 Str.	601150	601125	1085 mm	1/4"	615071	615071	Marked A	
	Rotator A		BSP -04 Banjo	601149	601125	1040 mm	450 bar	EN 857 2SC	EN 857 2SC		
649319	Hose 9314 B		BSP -04 Str.	601150	601125	1085 mm	1/4"	615071	615071	Marked B	
	Rotator B		BSP -04 Banjo	601149	601125	1040 mm	450 bar	EN 857 2SC	EN 857 2SC		

General - No protection

Hose kit Log Max E6

402

From Head no. 260034

Language en

Part No. 646503/260034

V. 241101

Crimp. = Crimp diameter | cyl. = cylinder | Ex. = External | L. = Left | Lo. = Lower | Mani. = Manifold
 Meas. Wheel = Measuring Wheel | No. = number | Pres. Rating = Pressure Rating | Red. = Reducer | R. = Right
 SBR = Saw Bar Rescue | Str. = Straight | Stump treatm. = Stump treatment | Tot. = Total | U. = Upper | WEOPI = WEO Plug-In

Hose no.	Connections		Fittings		Ferrules	Length	Hose type			Note	
	Connection 1	Connection 2	Fitting 1	Fitting 2			Part no.	Total	Size		Part no.
646511	Low pressure manifold	UBSP -04 Banjo	BSP -04 45	BSP -04 45	601149	783 mm	1/4"	615071	90° IM402		
										601125	450 bar
646513	Low pressure manifold	UBSP -04 Banjo	BSP -04 45	BSP -04 45	601149	523 mm	1/4"	615071	90° IM402		
										601125	450 bar
646517	Low pressure manifold	UBSP -04 Banjo	BSP -04 45	BSP -04 45	601149	1463 mm	1/4"	615071	90° IM402		
										601125	450 bar
646518	Low pressure manifold	UBSP -04 Banjo	BSP -04 45	BSP -04 45	601149	1553 mm	1/4"	615071	90° IM402		
										601125	450 bar
646533	R. Manifold S1 DR6	UBSP -06 Banjo	BSP -04 Banjo	BSP -04 Banjo	601149	593 mm	1/4"	615071			
										601125	450 bar
646534	R. Manifold S2 A	UBSP -06 90	BSP -06 90	BSP -06 90	601171	672 mm	3/8"	615072	90°		
										601121	385 bar

General - No protection

Hose kit Log Max E6

Language **en**

Saw 98 XL

Part No. **646505/260078**

From Head no. 260078

V. 241101

Crimp. = Crimp diameter | cyl. = cylinder | Ex. = External | L. = Left | Lo. = Lower | Mani. = Manifold
 Meas. Wheel = Measuring Wheel | No. = number | Pres. Rating = Pressure Rating | Red. = Reducer | R. = Right
 SBR = Saw Bar Rescue | Str. = Straight | Stump treatm. = Stump treatment | Tot. = Total | U. = Upper | WEOPi = WEO Plug-In

Hose no.	Connections		Fittings		Ferrules Part no.	Length Total Cut	Hose type			Note	
	Connection 1	Connection 2	Fitting 1	Fitting 2			Part no.	Size	Hose type		
									Pres. Rating		Standard
646551	L. Manifold B1	BSP -04 90			601170	1964 mm	1/4"		615071		
	Saw bar feed cyl. A	BSP -04 Banjo			601149	1920 mm	450 bar		EN 857 2SC		
646552	L. Manifold A1	BSP -04 90			601160	395 mm	1/4"		615071		
	Restrictor check valve	BSP -04 Str.			601150	350 mm	450 bar		EN 857 2SC		
646553	Restrictor check valve	BSP -04 Str.			601150	1635 mm	1/4"		615071		
	Saw bar feed cyl. B	BSP -04 Banjo			601149	1590 mm	450 bar		EN 857 2SC		
646555	Easy Greasy	BSP -04 Banjo			601149	264 mm	1/4"		615071		
	Saw unit	BSP -04 90			601170	220 mm	450 bar		EN 857 2SC		
646542	R. Manifold S1 DR4	BSP -06 90			601171	2105 mm	3/8"		615072		
	Saw motor D	BSP -06 Banjo			601148	2060 mm	385 bar		EN 857 2SC		
646539	Saw motor valve SP	BSP -12 Str.			601153	1253 mm	3/4"		615074		
	Saw motor A	BSP -12 Str.			601153	1200 mm	280 bar		EN 857 2SC		
646565	R. Manifold S1 T4	BSP -12 90			601372	1825 mm	3/4"		615074		
	Saw motor B	BSP -12 Str.			601153	1770 mm	280 bar		EN 857 2SC		

General - No protection

Hose kit Log Max E6

Kit

From Head no. 260034

Language en

Part No. 646507/3687-

V. 241101

Crimp. = Crimp diameter | cyl. = cylinder | Ex. = External | L. = Left | Lo. = Lower | Mani. = Manifold
 Meas. Wheel = Measuring Wheel | No. = number | Pres. Rating = Pressure Rating | Red. = Reducer | R. = Right
 SBR = Saw Bar Rescue | Str. = Straight | Stump treatm. = Stump treatment | Tot. = Total | U. = Upper | WEOPI = WEO Plug-In

Hose no.	Connections		Fittings		Ferrules	Length	Hose type			Note	
	Connection 1	Connection 2	Fitting 1	Fitting 2			Part no.	Total	Size		Part no.
646570	R. Manifold S1 P		JIC -16 Str.		601186	601142		1"	615084		
	Hose bracket P		JIC -16 Str.		601186	601142	1500 mm	345 bar	SAE 100 R13		
646571	R. Manifold S1 T		JIC -16 Str.		601186	601142		1"	615084		
	Hose bracket T		JIC -16 Str.		601186	601142	1500 mm	345 bar	SAE 100 R13		
646572	R. Manifold S1 DR		JIC -10 Str.		601181	601130		1/2"	615035		
	Hose bracket DR		JIC -08 Str.		602316	601130	1470 mm	470 bar	EN 857 2SC		
646573	Bracket frame		JIC -12 Str.		601218	601371		3/4"	615083		
	Hose bracket EL		JIC -12 Str.		601218	601371	1440 mm	345 bar	SAE 100 R13		

General - No protection

Hose kit Log Max E6

Language **en**

Swiroll

Part No. **646508-JJ/XXX**

From Head no. **26XXXX**

V. 241101

Crimp. = Crimp diameter | cyl. = cylinder | Ex. = External | L. = Left | Lo. = Lower | Mani. = Manifold
 Meas. Wheel = Measuring Wheel | No. = number | Pres. Rating = Pressure Rating | Red. = Reducer | R. = Right
 SBR = Saw Bar Rescue | Str. = Straight | Stump treatm. = Stump treatment | Tot. = Total | U. = Upper | WEOPI = WEO Plug-In

Hose no.	Connections		Fittings		Ferrules	Length	Hose type			Note	
	Connection 1	Connection 2	Fitting 1	Part no.			Size	Pres. Rating	Part no.		Standard
			Fitting 2	Part no.							
646578	Swiroll P		JIC -16 Str.	601186	601142	1411 mm	1"	615084	P		
	R. Manifold P		JIC -16 Str.	601186	601142	1330 mm	345 bar	SAE 100 R13			
646579	Swiroll T		JIC -16 Str.	601186	601142	1391 mm	1"	615084	T		
	R. Manifold T		JIC -16 Str.	601186	601142	1310 mm	345 bar	SAE 100 R13			
646580	Swiroll EL		JIC -12 Str.	601218	601371	1313 mm	3/4"	615083	EL		
	Mani. Bracket EL		JIC -12 Str.	601218	601371	1270 mm	345 bar	SAE 100 R13			
646581	Swiroll DR		JIC -10 Str.	601181	601130	1357 mm	1/2"	615035	DR		
	Mani. Bracket DR		JIC -10 Str.	601181	601130	1320 mm	470 bar	EN 857 2SC			

General - No protection

Hose kit Log Max E6

Swiroll

From Head no. 260091

Language en

Part No. 646508-PP/091

V. 241101

Crimp. = Crimp diameter | cyl. = cylinder | Ex. = External | L. = Left | Lo. = Lower | Mani. = Manifold
 Meas. Wheel = Measuring Wheel | No. = number | Pres. Rating = Pressure Rating | Red. = Reducer | R. = Right
 SBR = Saw Bar Rescue | Str. = Straight | Stump treatm. = Stump treatment | Tot. = Total | U. = Upper | WEOPI = WEO Plug-In

Hose no.	Connections		Fittings		Ferrules	Length	Hose type			Note	
	Connection 1	Connection 2	Fitting 1	Fitting 2			Part no.	Total	Size		Part no.
646582	Swiroll P		BSP -16 Str.		601157	601142	1"	615084	615084	Marked P	
	R. Manifold P		BSP -16 Str.		601157	601142	345 bar	SAE 100 R13			
646583	Swiroll T		BSP -16 Str.		601157	601142	1"	615084	615084	Marked T	
	R. Manifold T		BSP -16 Str.		601157	601142	345 bar	SAE 100 R13			
646584	Swiroll EL		BSP -12 Str.		601153	601371	3/4"	615083	615083	Marked EL	
	Mani. Bracket EL		BSP -12 Str.		601153	601371	345 bar	SAE 100 R13			
646585	Swiroll DR		BSP -08 Str.		601152	601130	1/2"	615035	615035	Marked DR	
	Mani. Bracket DR		BSP -08 Str.		601152	601130	470 bar	EN 857 2SC			

General - No protection

Hose kit Log Max E6

Language **en**

Part No. **646510/260009**

From Head no. 260009

V. 241101

Miscellaneous hoses

Crimp. = Crimp diameter | cyl. = cylinder | Ex. = External | L. = Left | Lo. = Lower | Mani. = Manifold
 Meas. Wheel = Measuring Wheel | No. = number | Pres. Rating = Pressure Rating | Red. = Reducer | R. = Right
 SBR = Saw Bar Rescue | Str. = Straight | Stump treatm. = Stump treatment | Tot. = Total | U. = Upper | WEOPI = WEO Plug-In

Hose no.	Connections		Fittings		Ferrules Part no.	Length Total Cut	Hose type			Note Hose guard	
	Connection 1	Connection 2	Fitting 1	Fitting 2			Part no.	Size	Pres. Rating		Standard
			Part no.	Part no.							
646566	Stump treatment		BSP -04 Str.		601150	1867 mm	1/4"		615071		
	Stump treatment		BSP -04 Str.		601150	1830 mm	450 bar		EN 857 2SC		
646586	Protective hose		M 20 Str. Ex.		601551	877 mm	3/8"		615072	Find End, Laser	
	Find End				601121	850 mm	385 bar		EN 857 2SC		

General - No protection

Log Max

E6

Spare part manual

260189-

en

Log Max

E6

Spare part manual

260189-

en

Log Max

E6

Spare part manual

260189-

en

Log Max

E6

Spare part manual

260189-

en

Log Max

E6

Spare part manual

260189-

en

Log Max

E6

Spare part manual

260189-

en

Log Max

E6

Spare part manual

260189-

en